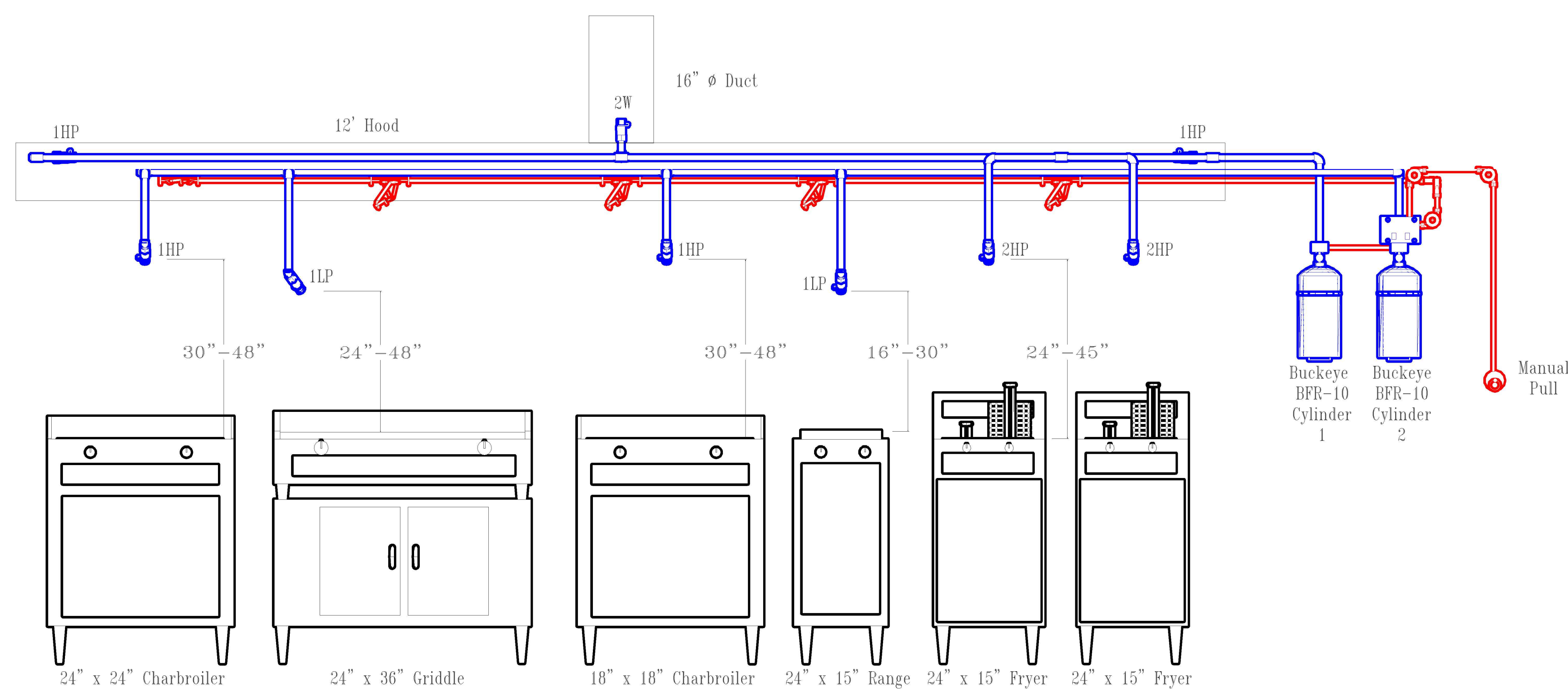


Notes

1. Electrical/Gas lines work by others.
2. Manual Pull located in path of egress.
3. All piping is 3/8" sch. 40 black.
4. Cylinder 1 has approximately 24' of 3/8" pipe = 900ml. Max allowed = 2500ml. (8 points used, 10 allowed)
5. Cylinder 2 has approximately 26' of 3/8" pipe = 975ml. Max allowed = 2500ml. (5 points used, 10 allowed)
6. Systems to be re-piped/modified to accommodate appliances.



REVISIONS			
No.	Date	By	Description

T&S
FIRE AND SECURITY Inc.
 3025 Randleman Rd.
 Greensboro, NC 27406
 (336)273-0859
 Protecting People and Property since 1975
 NC License SP.FA/LV.11040

JOB NAME
Bourbon Street Bar & Grill
 410 Pine Street
 Lillington, NC

DESCRIPTION **Wet-Chem Fire Suppression**
 CONTRACT WITH **Bourbon Street Bar & Grill**

JOB #	19385472	FILE NAME	19385472
DRAWN BY	LEE CAUDILL ,CET	DATE	8-4-2020
Fire Alarm Systems, LEVEL III	NICET #113371	SCALE	NTS
		DWG #	1 of 1

