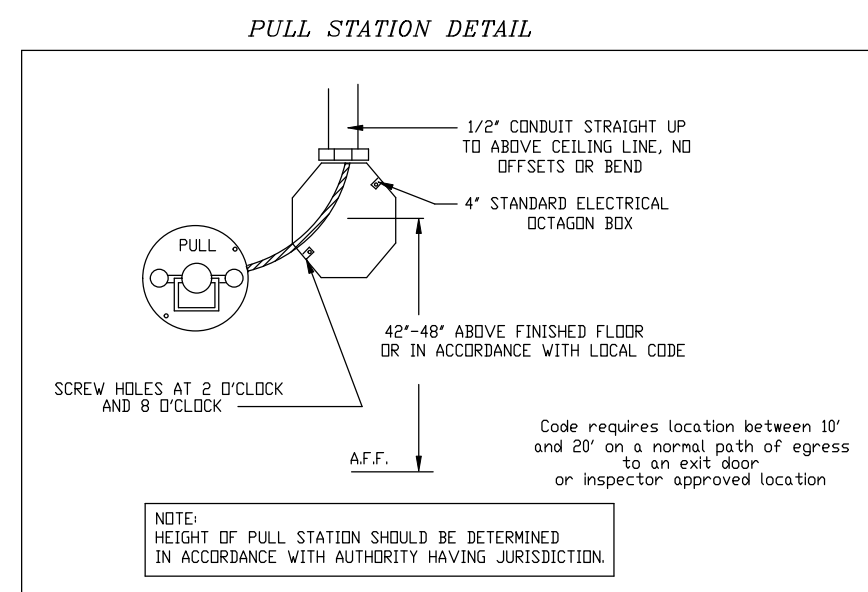
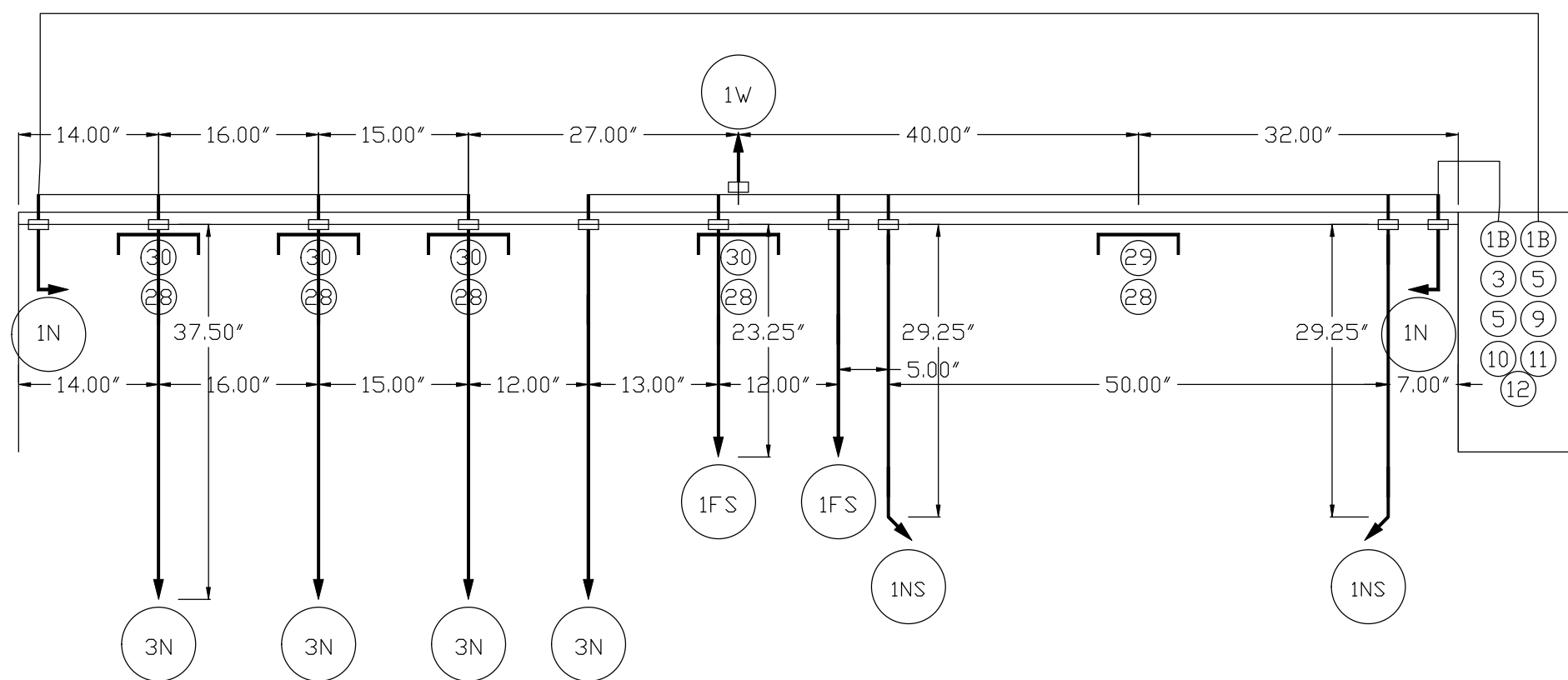
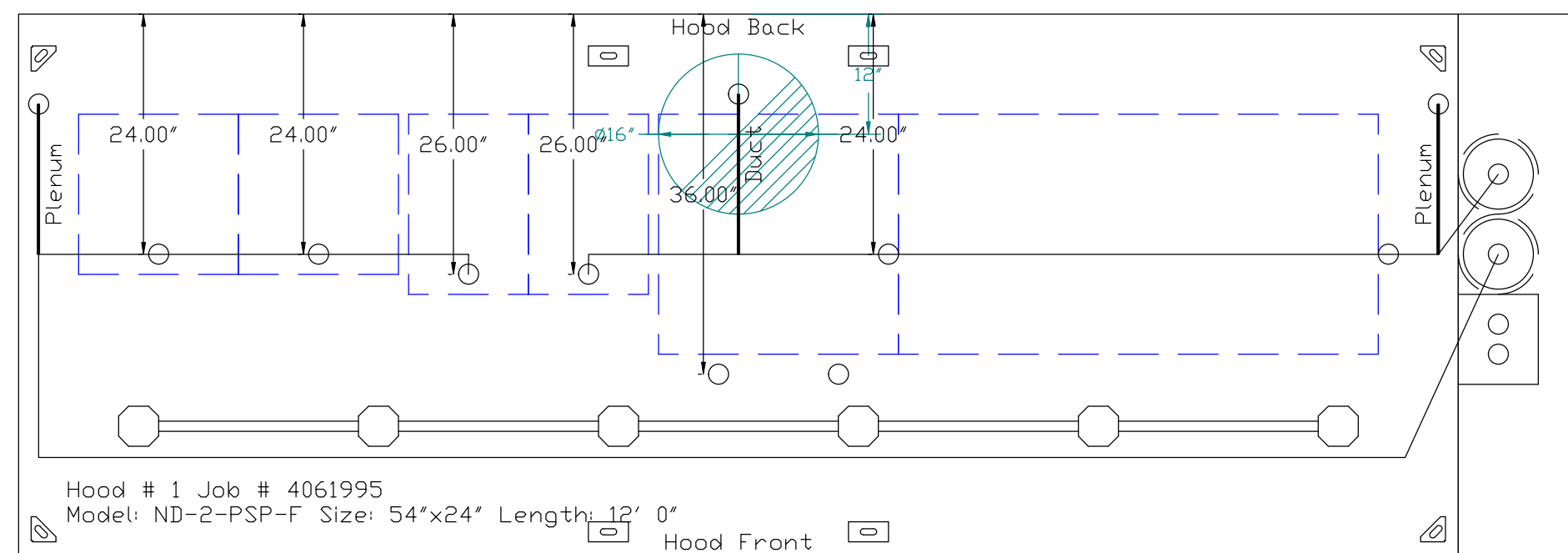


# UL 300 HOOD FIRE SUPPRESSION SYSTEM



## FIRE SYSTEM OPERATION

- Kitchen hood shall be constructed and installed per NFPA 96.
- Hood Electrical Control Panel and Fire Control System shall shut down kitchen hood make up air fan upon activation of fire extinguishing system. Kitchen hood exhaust fan shall continue to operate or power on upon activation. The hood electrical panel and fire system will provide interlock for automatic operation of fire suppression system with:
  - Mechanical gas valve (installed by mechanical/plumbing contractor, if gas used)
  - Hood supply and exhaust fan (wiring by elec)
  - Remote manual pull station (by hood fire system distr)
  - Fire alarm system notification (if Bldg Fire Alarm present, by Fire alarm Contractor)
- See Hood details for drawings
- All exposed piping with fire suppression system shall be covered with a chrome sleeve.
- Mechanical contractor shall install conduit in wall for manual pull station. Pull Station shall be located at or near a means of egress from the cooking area.
- Fire suppression system shall be in accordance with UL 300.

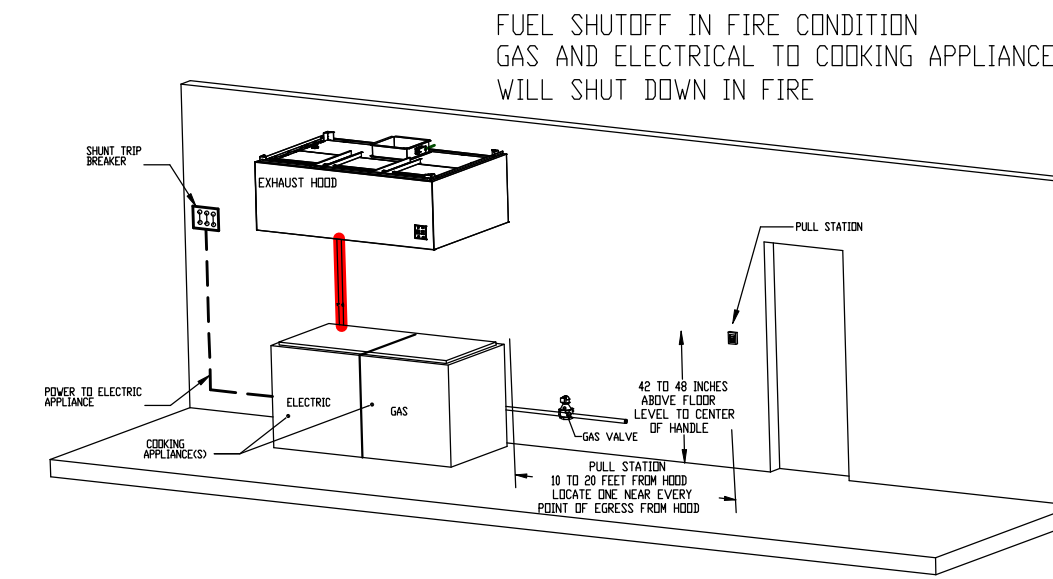
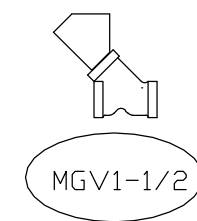


Fryer-M w/Drip Board High Proximity 16.00' L x16.00' D	Fryer-M w/Drip Board High Proximity 16.00' L x16.00' D	Fryer-M w/o Drip Board High Proximity 12.00' L x18.00' D	Fryer-M w/o Drip Board High Proximity 12.00' L x18.00' D	Range-Shelf (20"min from grate) High Proximity 24.00' L x24.00' D	Griddle (1N) High Proximity 48.00' L x24.00' D
--	--	--	--	---	--

All Fire System Piping will be 3/8" schedule 40 black iron.

NC FIRE CODE 904.11.2

System Interconnection:  
The Actuation of the fire extinguishing system shall automatically shut down the fuel or electrical power supply to the cooking equipment. The Fuel and electrical supply reset shall be manual.



CAPTIVE-AIRE HOODS ARE BUILT IN COMPLIANCE WITH:

CAPTIVE-AIRE HOODS ARE BUILT IN COMPLIANCE WITH

NFPA #96  
NSF  
UL 710 & ULC710 STANDARDS  
E.T.L. LISTED 3054804-001



\*FOR QUESTIONS\*  
CONTACT: JOE WYLIE  
NORTH CAROLINA REGIONAL OFFICE  
PHONE: (919) 825-3566  
EMAIL: REG36@CAPTIVEAIRE.COM FAX: (919) 227-5917

## NOTES

- FIELD PIPE DROPS AS SHOWN
- SLEEVING, ELBOWS, TEES, AND NOZZLES SUPPLIED BY CAS
- RELOCATE NOZZLES IF FLOW PATTERN IS BLOCKED BY SHELVING, SALAMANDERS, ETC.
- MAXIMUM 9 ELBOWS IN SUPPLY LINE.
- MINIMUM 72 INCHES OF AGENT LINE FROM TANK TO FIRST NOZZLE.
- IF APPLICABLE, PRE-PIPED CHARBROILER DROPS ARE SHIPPED LOOSE.
- FACTORY PIPING EXTENDS A MAXIMUM OF 6" ABOVE THE TOP OF THE HOOD.
- APPLIANCE DIMENSIONS LISTED REPRESENT THE COOKING SURFACE SIZE, NOT THE OVERALL APPLIANCE SIZE.
- THIS FIRE SYSTEM COMPLIES WITH UL. 300 REQUIREMENTS

Job #: 4061995  
Job Name: HARNETT CROSS FOOD MART

System Size: ANSUL-3.0/3.0 Total FP required: 19  
Hood # 1 12' 0.00" Long x 54" Wide x 24" High  
Riser # 1 Size: 16" Dia.  
Hood # 1 Metal Blow-Off Caps included.

## LEGEND - FIRE CABINET ANSUL SYSTEM

- 1A 1.5 GALLON TANK
- 1B 3 GALLON TANK
- 2 DEM AUTOMAN RELEASE
- 3 DEM REGULATED RELEASE
- 4 DEM REGULATED ACTUATOR
- 5 ANSULEX LIQUID AGENT (3 GAL.)
- 6 ANSULEX LIQUID AGENT (1.5 GAL.)
- 7 CARTRIDGE (101-20)
- 8 CARTRIDGE (101-10)
- 9 CARTRIDGE (101-30)
- 9A CARTRIDGE (LT-A-101-30)
- 9B DOUBLE TANK CARTRIDGE
- 10 TEST LINK
- 11 DOUBLE MICROSWITCH
- 12 HOSE ASSEMBLY
- 1100 DUCT NOZZLE (430913)
- 2W DUCT NOZZLE (419337)
- 1W NOZZLE ASSEMBLY (419336)
- 1F NOZZLE ASSEMBLY (419333)
- 1N NOZZLE ASSEMBLY (419335)
- 1/2N NOZZLE ASSEMBLY (419334)
- 3N NOZZLE ASSEMBLY (419338)
- 245 NOZZLE ASSEMBLY (419340)
- 230 NOZZLE ASSEMBLY (419339)
- 2120 NOZZLE ASSEMBLY (419343)
- 290 NOZZLE ASSEMBLY (419342)
- 260 NOZZLE ASSEMBLY (419341)
- 28 DETECTOR BRACKET
- 29 LOW TEMP FUSIBLE LINK
- 30 HIGH TEMP FUSIBLE LINK
- MGV MECHANICAL GAS VALVE
- EGV ELECTRICAL GAS VALVE
- 34 REMOTE MANUAL PULL STATION
- S SWIVEL ADAPTOR

**Reviewed For Code Compliance By:**  
**D. Banks Wallace**  
**Chief Deputy Fire Marshal**  
**02/03/2020 11:04:50 AM**

REVISIONS	
DESCRIPTION	DATE

www.captiveaire.com

Eastern North Carolina

reg36@captiveaire.com / 919-825-3566

HARNETT CO FOOD MART

DATE: 11/11/19
DWG.#: REG36
DRAWN BY: Jwylie36
SCALE: 3/4" = 1'-0"
MASTER DRAWING
SHEET NO. 1