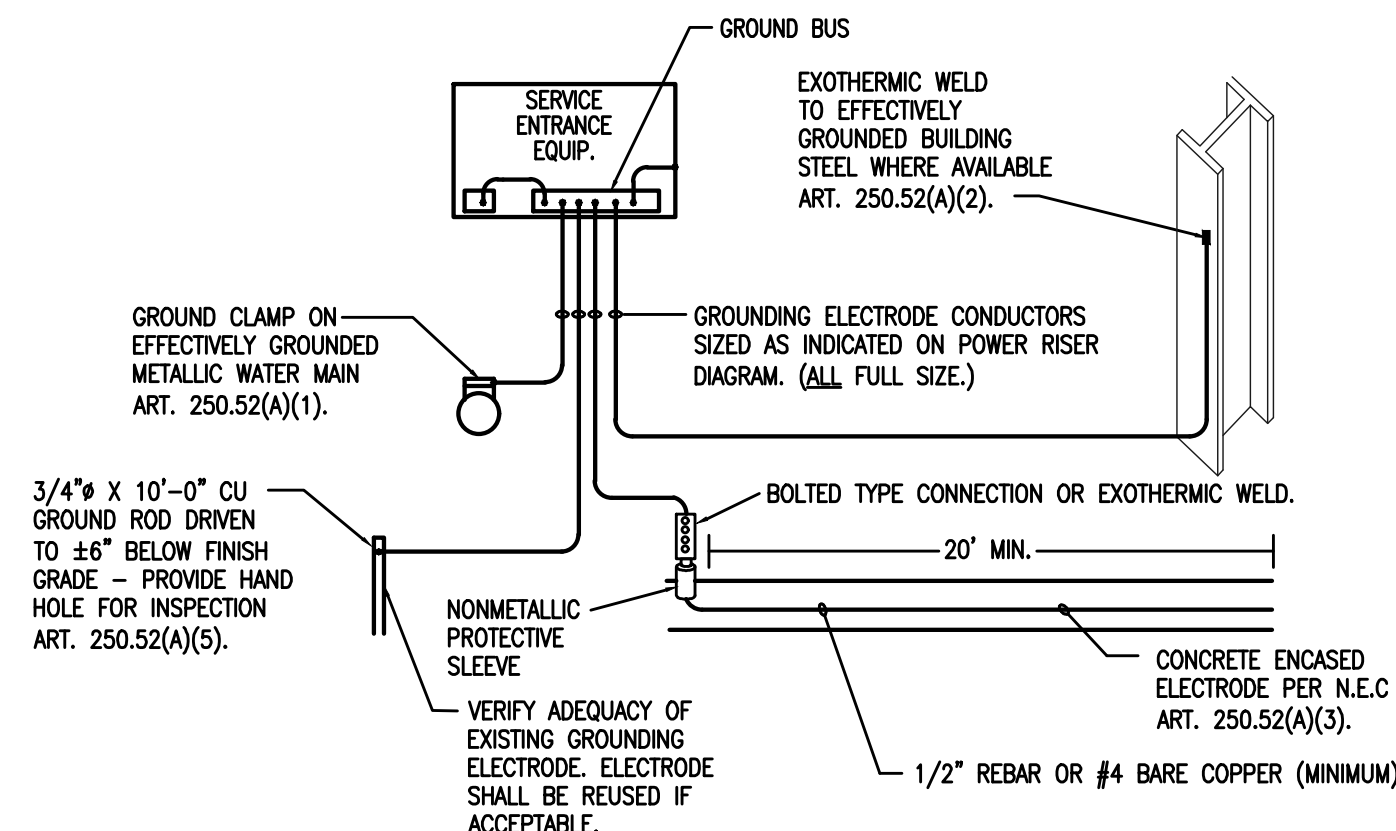


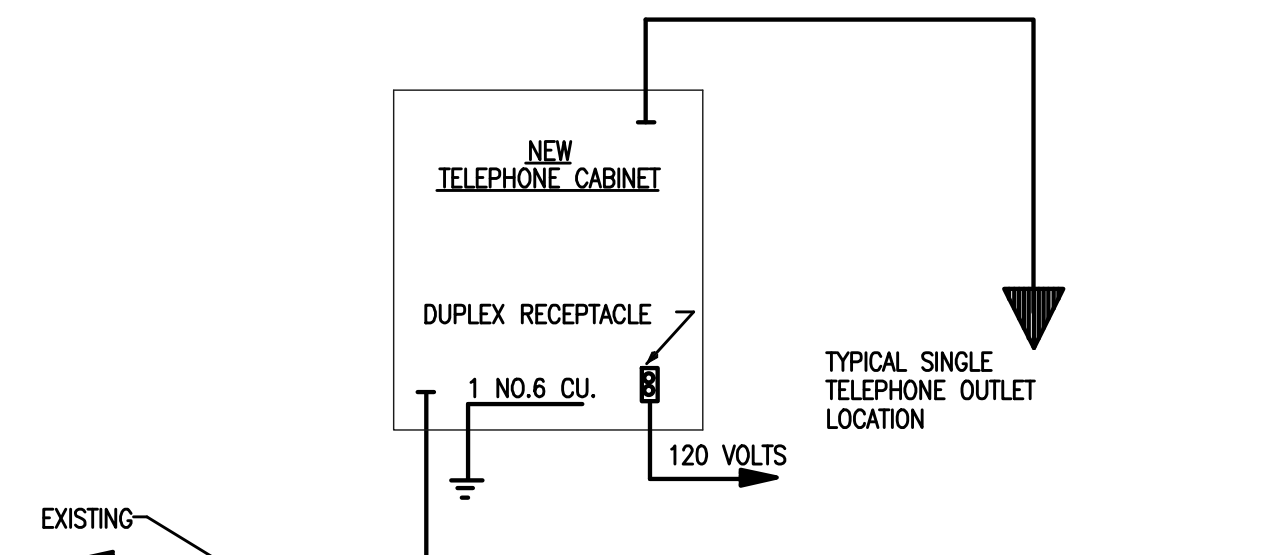
**1 ELECTRICAL RISER**  
E-5 NO SCALE

**KEYED NOTES:**

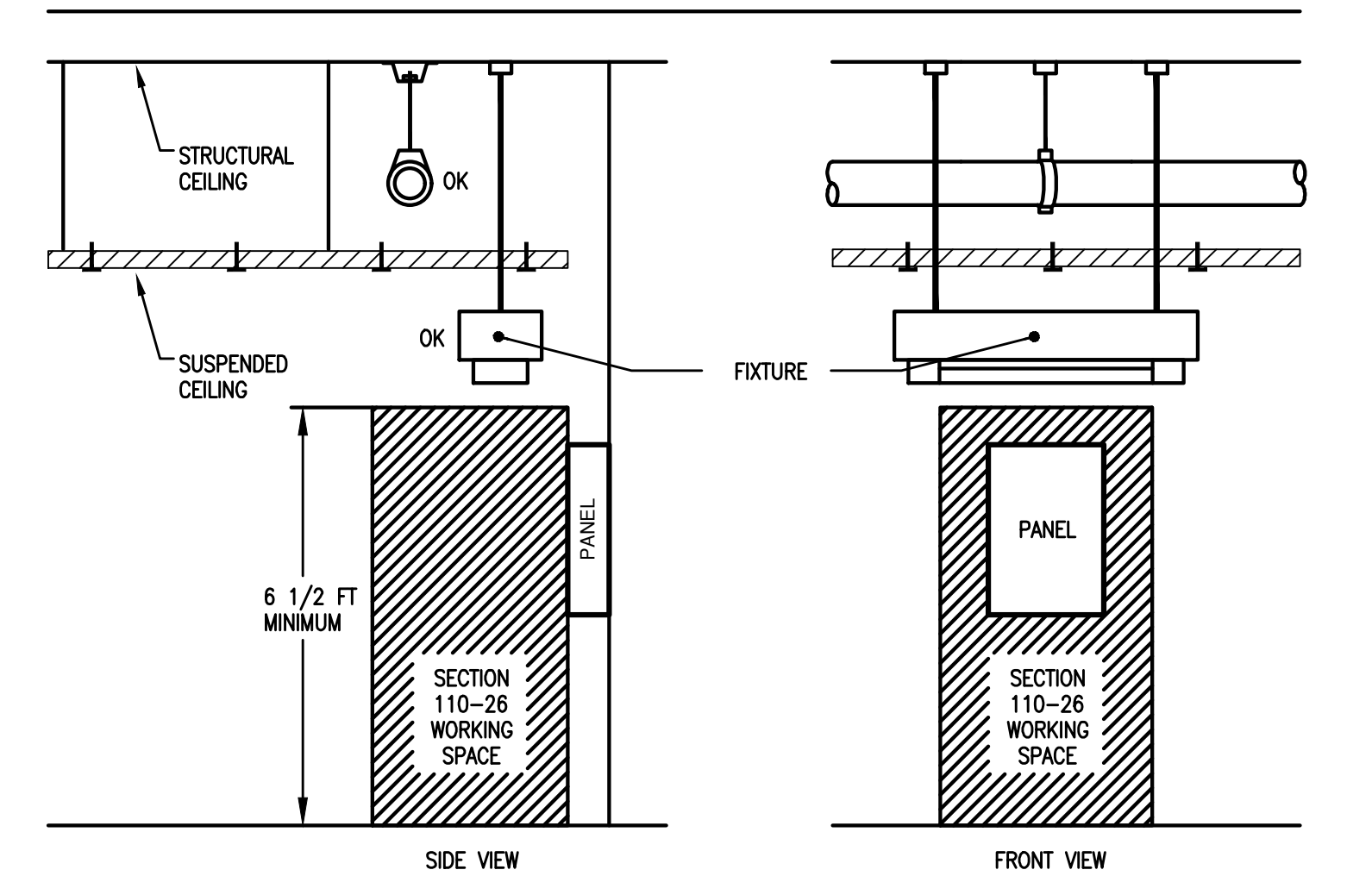
- 1 EC SHALL COORDINATE WITH UTILITY FOR THE CONNECTION OF NEW 400A DISCONNECT TO EXISTING POLE MOUNTED TRANSFORMER.



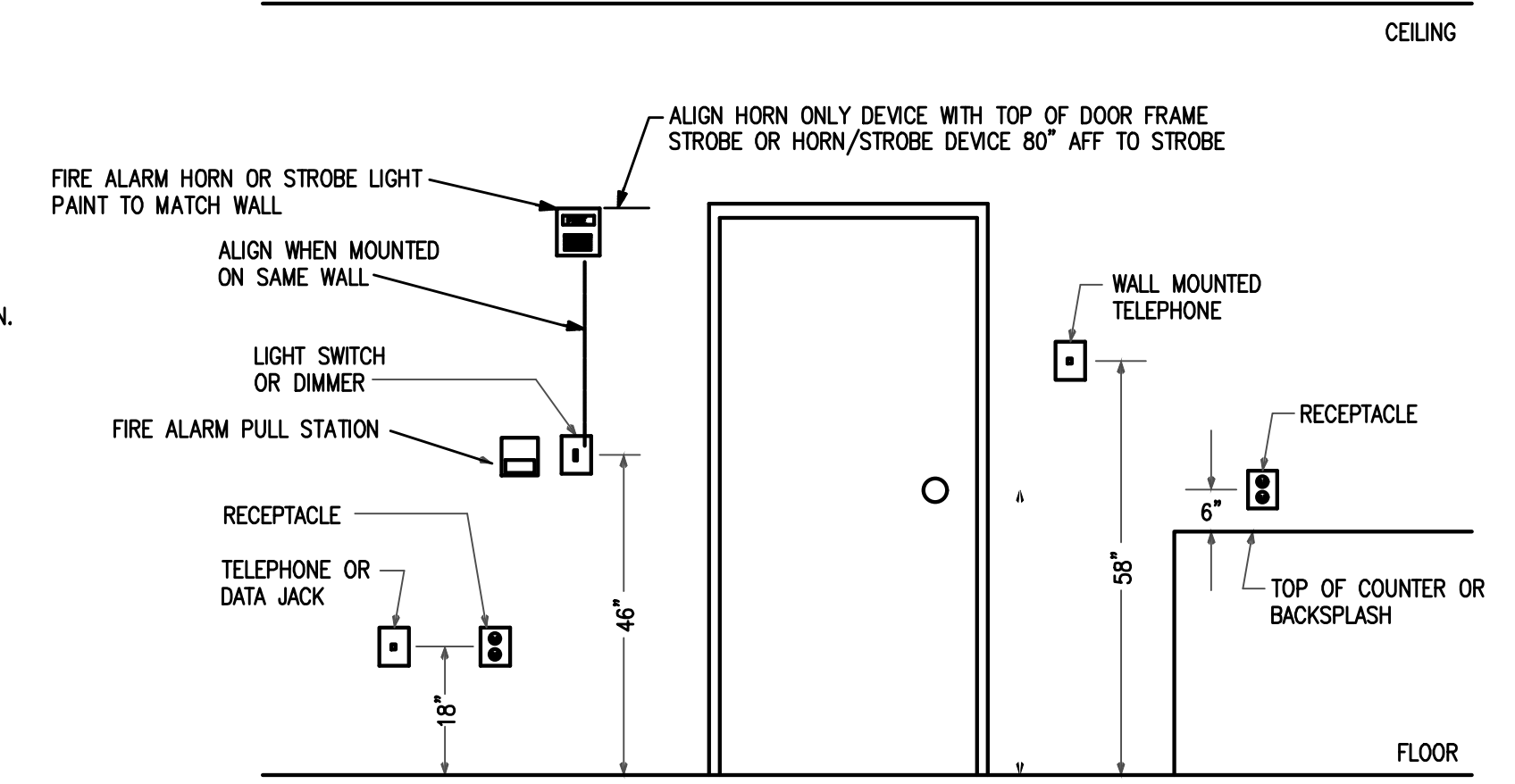
**2 SERVICE GROUNDING DETAIL**  
E-5 N.T.S.  
\*GROUNDING ELECTRODES SHALL BE PROVIDED IN ACCORDANCE WITH NEC 250-50-C.



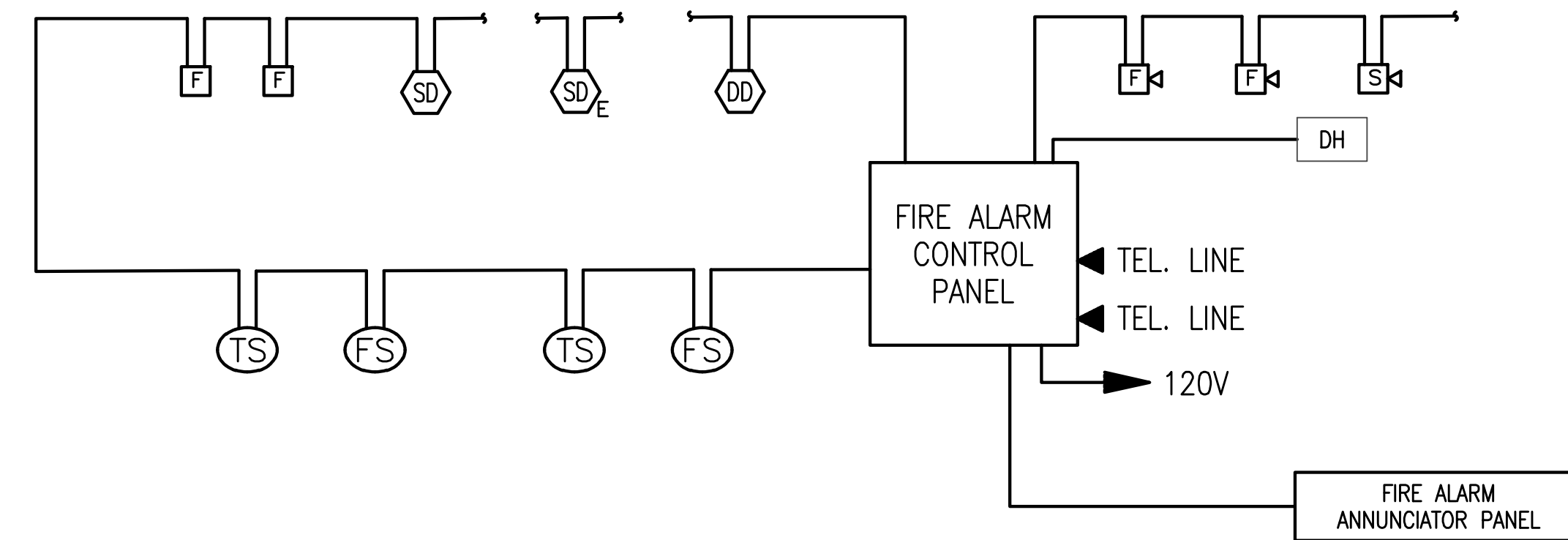
**4 EXISTING TELEPHONE RISER DIAGRAM**  
E-5 NONE  
NOTE:  
EC SHALL COORDINATE WITH BUILDING TENANT FOR TELEPHONE BOARD LOCATION.



**3 WORKING CLEARANCE FOR ELECTRICAL EQUIPMENT**  
E-5 N.E.C. ARTICLE 110-26



**6 TYPICAL DEVICE MOUNTING HEIGHTS**  
E-5 NONE



**5 FIRE ALARM RISER DIAGRAM**  
E-5 NO SCALE

**GENERAL NOTES**

- FIRE ALARM SYSTEM SHALL BE ADDRESSABLE, 24V DC, POWER LIMITED, FULLY SUPERVISED, WITH 24 HOUR STANDBY BATTERY. PANEL TO BE SURFACE MOUNTED. SYSTEM SHALL HAVE MINIMUM 25% SPARE CAPACITY.
- FIRE ALARM DEVICES ARE TO BE INSTALLED IN ACCORDANCE WITH NFPA 72 AND 'ADA'.
- ALL FIRE ALARM WIRING SHALL BE PLENUM RATED WHERE REQUIRED.
- ELECTRICAL CONTRACTOR SHALL PROVIDE A FIRE ALARM LAYOUT PLAN AT THE FACP AND THE ANNUNCIATOR PANEL IN THE LOBBY.
- ELECTRICAL CONTRACTOR TO PROVIDE AUTHORITY HAVING JURISDICTION WITH FIRE ALARM SYSTEM INSTALLATION PLANS FOR FINAL APPROVAL PRIOR TO INSTALLATION.
- PERFORM BATTERY CALCULATIONS AND SUBMIT CALCULATIONS.
- ALL STROBES SHALL BE SYNCHRONIZED.
- AS PER 2006 NCBC 907.9.1.3 THE FIRE ALARM SYSTEM SHALL HAVE THE CAPABILITY TO BE ACTIVATED BY MANUAL ALARM PULL, THE MAIN FIRE ALARM PANEL, OR BY ANY SMOKE DETECTOR WITHIN A SLEEPING AREA.
- NOTIFICATION APPLIANCE CIRCUIT TO PROVIDE SYNCHRONIZATION OF STROBES AT A RATE OF 1HZ AND OPERATES HORNS WITH A PULSE 3 TEMPORAL CODE PATTERN. THE CAPABILITY TO SYNCHRONIZE MULTIPLE NOTIFICATION APPLIANCE CIRCUITS SHALL BE PROVIDED.

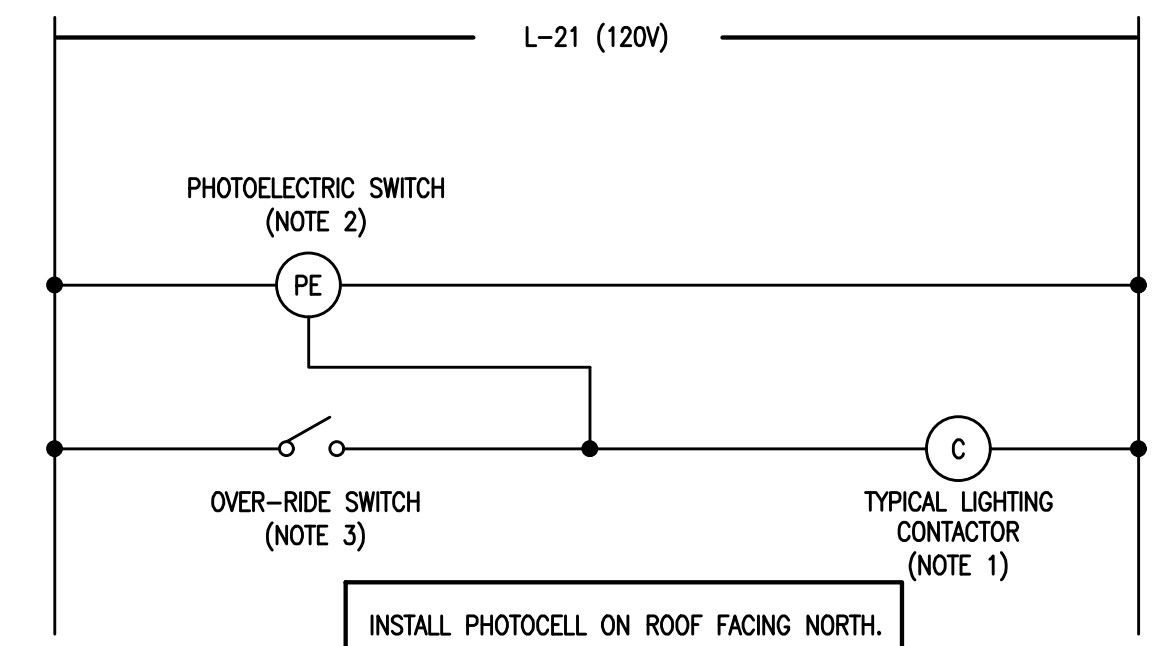
BRANCH CIRCUIT SUPPLYING FACP SHALL MEET THE NEC 760.41(B):  
BRANCH CIRCUIT SUPPLYING THE FIRE ALARM EQUIPMENT SHALL SUPPLY NO OTHER LOADS. THE LOCATION OF THE BRANCH CIRCUIT OVERCURRENT PROTECTIVE DEVICE SHALL BE PERMANENTLY IDENTIFIED AT THE FIRE ALARM CONTROL UNIT. THE CIRCUIT DISCONNECTING MEANS SHALL HAVE RED IDENTIFICATION, SHALL BE ACCESSIBLE ONLY TO QUALIFIED PERSONNEL, AND SHALL BE IDENTIFIED AS 'FIRE ALARM CIRCUIT.' THE RED IDENTIFICATION SHALL NOT DAMAGE THE OVERCURRENT PROTECTIVE DEVICES OR OBSCURE THE MANUFACTURER'S MARKINGS.

**FIRE ALARM SYSTEM SCHEDULE**

DEVICE TYPE AND LOCATION	ACTION
1ST FLOOR PULL STATIONS	1
1ST FLOOR SMOKE DETECTORS	1
DUCT SMOKE DETECTORS	1,2
TROUBLE SIGNAL FROM ANY DEVICE	6

**ACTION NOTES**

- ALARM INPUTS FROM MANUAL PULL STATIONS, SMOKE DETECTORS, OR DUCT DETECTORS SHALL ACTIVATE AUDIBLE/VISUAL SIGNALS IN THE BUILDING, AND CAUSE APPROPRIATE RESPONSE OF CONTROLLED FUNCTIONS(DOOR HOLDERS/FIRE DOORS, ETC.). FACP SHALL USE DIGITAL DIALER TO REPORT TO L.L. LISTED CENTRAL MONITORING STATION. MONITORING STATION REQUIREMENTS SHALL BE COORDINATED WITH OWNER AS REQUIRED.
- ALARM INPUT SHALL CAUSE COMMON AREA AIR HANDLERS TO SHUT DOWN.
- ELEVATOR SHALL BE RETURNED TO 1ST FLOOR.
- ELEVATOR SHALL BE RETURNED TO 2ND FLOOR.
- ELEVATOR BREAKER SHUNT TRIP DEVICE SHALL BE ACTIVATED UPON CONFIRMATION FROM ELEVATOR CONTROLLER THAT ELEVATOR IS STOPPED AT EXIT FLOOR AND DOORS HAVE OPENED.
- BUZZER SHALL SOUND AT FACP ONLY AND CENTRAL MONITORING STATION SHALL BE ALERTED TO TROUBLE.



**6 EXTERIOR LIGHTING CONTROL**  
E-6 NTS

- NOTES:**
- 30A, MULTI-POLE, ELECTRICALLY HELD WITH 120V COIL, 600V LINE CONTACTS AND NEMA 1 ENCLOSURE.
  - PHOTOELECTRIC SWITCH SHALL BE 20A, 120V, SPST. MOUNT OUTDOORS AND SHIELD FROM ARTIFICIAL LIGHT SOURCES.
  - LOCATE OVER-RIDE SWITCH IN THE ELECTRICAL ROOM NEXT TO LIGHTING CONTACTOR. COORDINATE EXACT LOCATION WITH OWNER.
  - THE POOL WATER AND POOL DECK LIGHTS TO BE SWITCHED BY TIME CLOCK

REVISIONS	
NO.	DATE
1	3/7/19