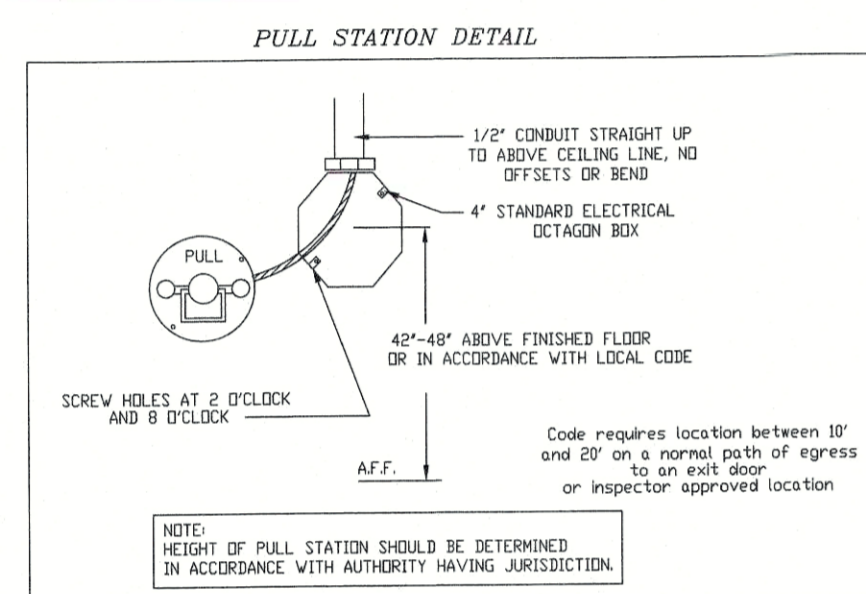


UL 300 HOOD FIRE SUPPRESSION SYSTEM

REV 11-27-19



FIRE SYSTEM OPERATION

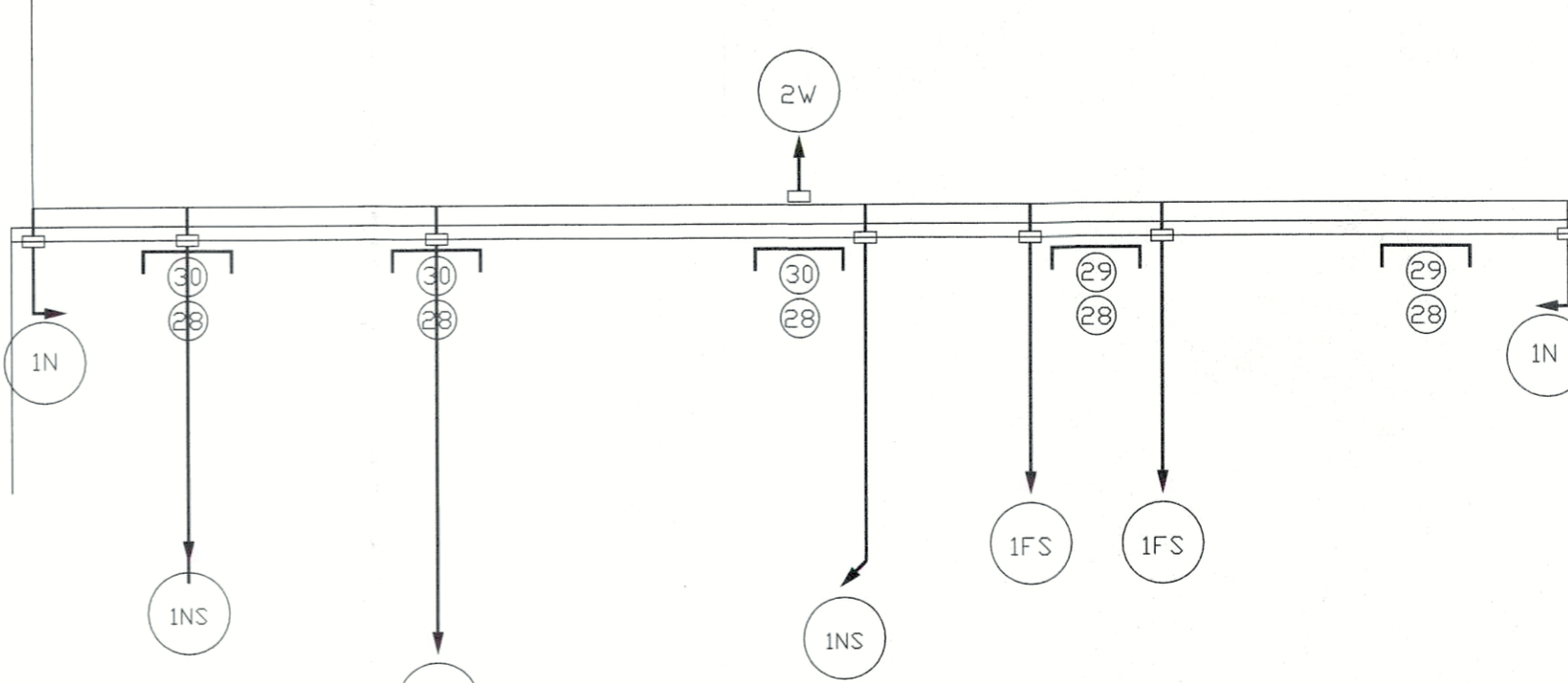
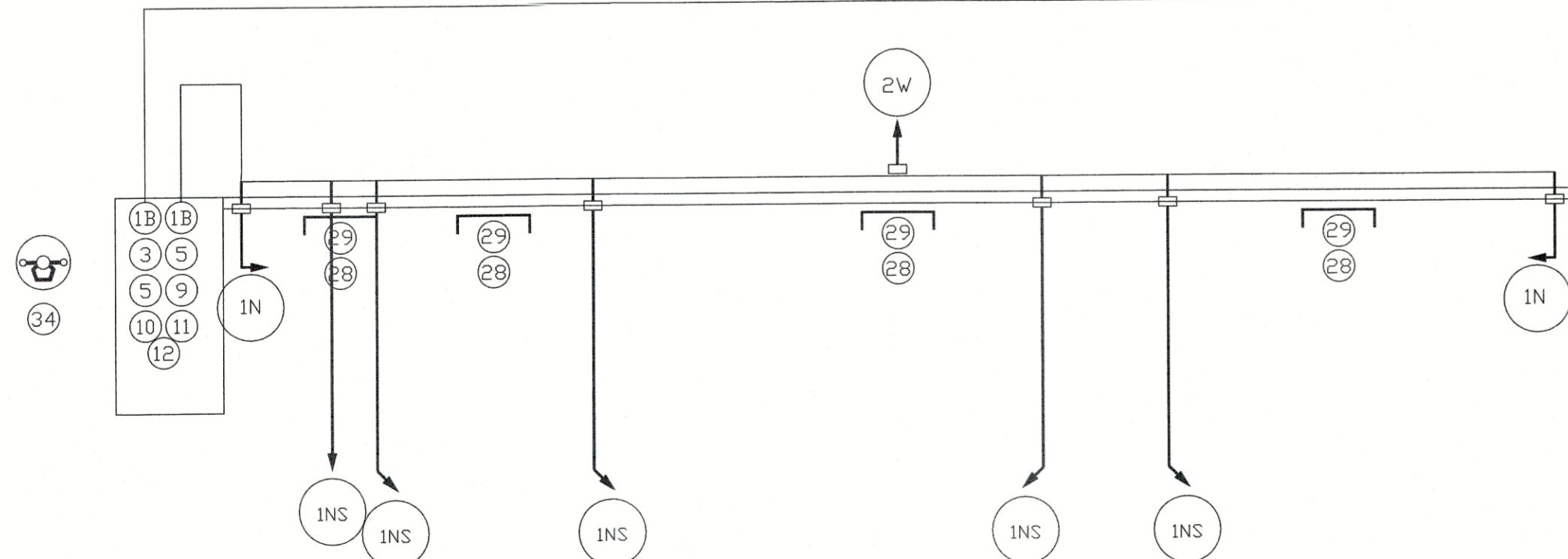
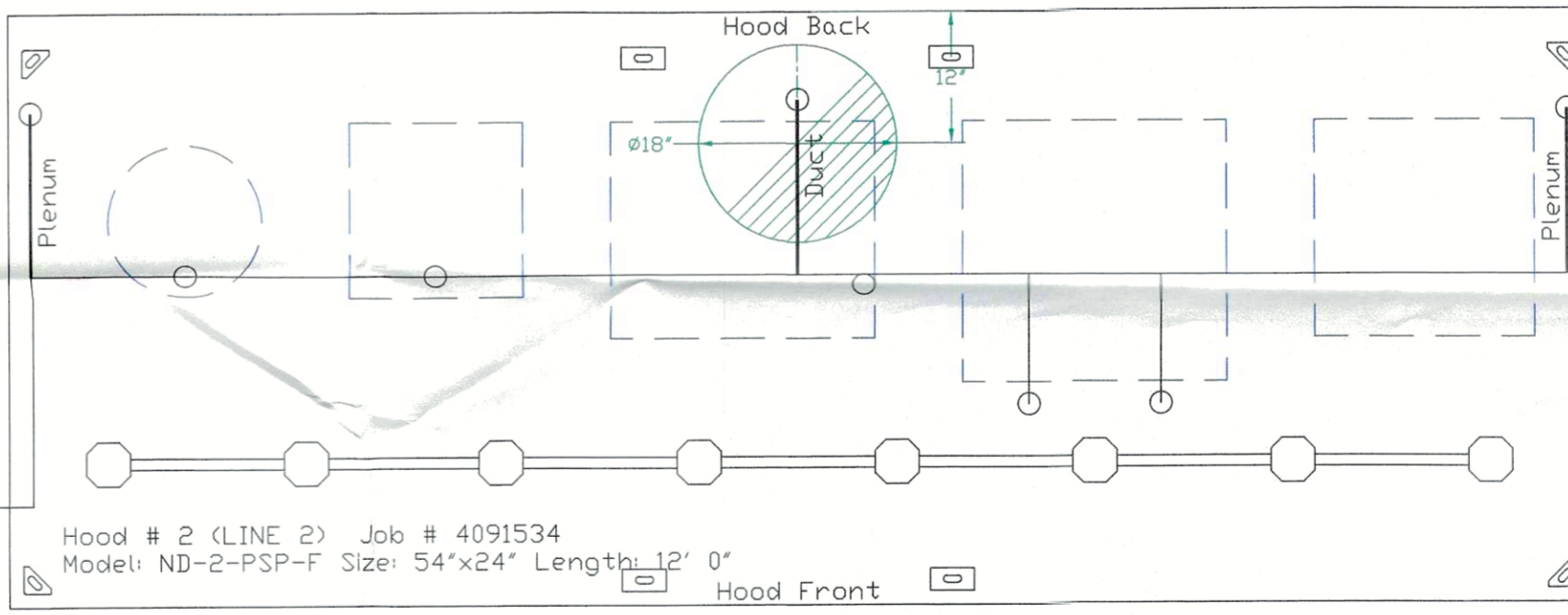
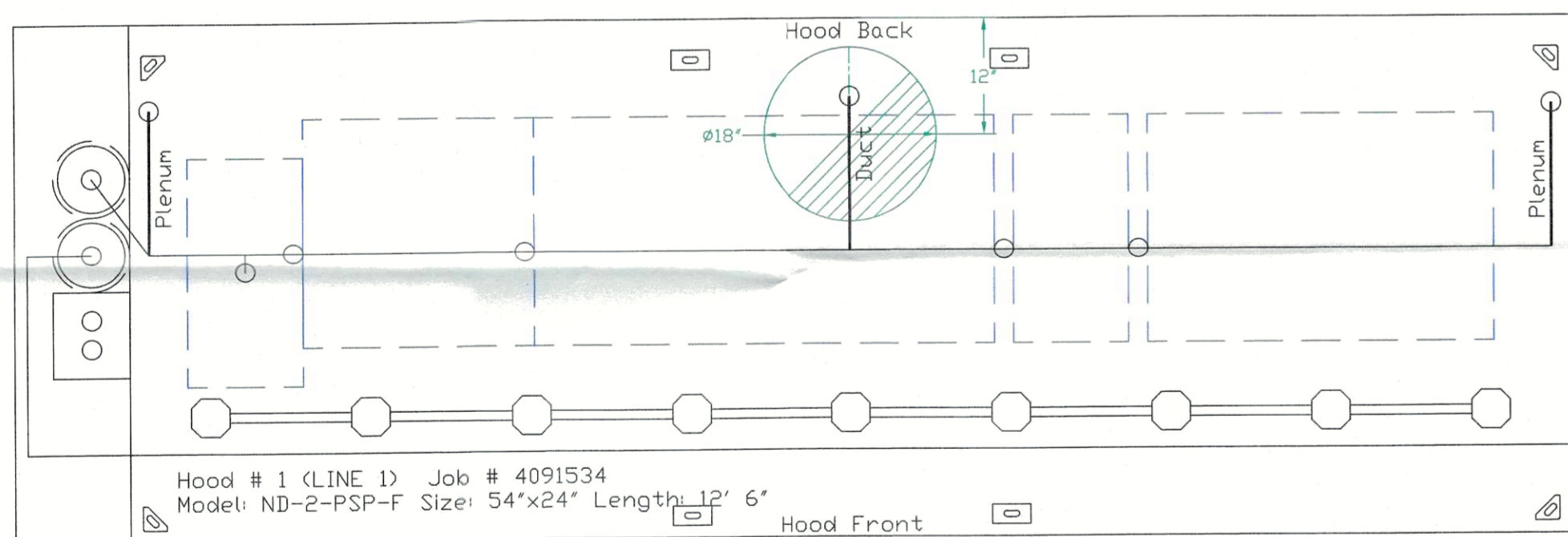
- Kitchen hood shall be constructed and installed per NFPA 96.
- Hood Electrical Control Panel and Fire Control System shall shut down kitchen hood make up air fan upon activation of fire extinguishing system. Kitchen hood exhaust fan shall continue to operate or power on upon activation. The hood electrical panel and fire system will provide interlock for automatic operation of fire suppression system with:
 - Mechanical gas valve (installed by mechanical/plumbing contractor, if gas used)
 - Hood supply and exhaust fan (wiring by elec)
 - Remote manual pull station (by hood fire system distr)
 - Fire alarm system notification (if Bldg Fire Alarm present, by Fire alarm Contractor)
- See Hood details for drawings
- All exposed piping with fire suppression system shall be covered with a chrome sleeve.
- Mechanical contractor shall install conduit in wall for manual pull station. Pull Station shall be located at or near a means of egress from the cooking area.
- Fire suppression system shall be in accordance with UL 300.

NOTES

- FIELD PIPE DROPS AS SHOWN
- SLEEVING, ELBOWS, TEES, AND NOZZLES SUPPLIED BY CAS
- RELOCATE NOZZLES IF FLOW PATTERN IS BLOCKED BY SHELVING, SALAMANDERS, ETC.
- MAXIMUM 9 ELBOWS IN SUPPLY LINE.
- MINIMUM 72 INCHES OF AGENT LINE FROM TANK TO FIRST NOZZLE.
- IF APPLICABLE, PRE-PIPED CHARBROILER DROPS ARE SHIPPED LOOSE.
- FACTORY PIPING EXTENDS A MAXIMUM OF 6" ABOVE THE TOP OF THE HOOD.
- APPLIANCE DIMENSIONS LISTED REPRESENT THE COOKING SURFACE SIZE, NOT THE OVERALL APPLIANCE SIZE.
- THIS FIRE SYSTEM COMPLIES WITH UL 300 REQUIREMENTS

Job #: 3820973
Job Name: LILLINGTON HIBACHI 050719

System Size: ANSUL-3.0/3.0 Total FP required: 20
Hood # 1 12' 6.00" Long x 54" Wide x 24" High
Riser # 1 Size: 18" Dia.
Hood # 1 Metal Blow-Off Caps included.
Hood # 2 12' 0.00" Long x 54" Wide x 24" High
Riser # 1 Size: 18" Dia.
Hood # 2 Metal Blow-Off Caps included.

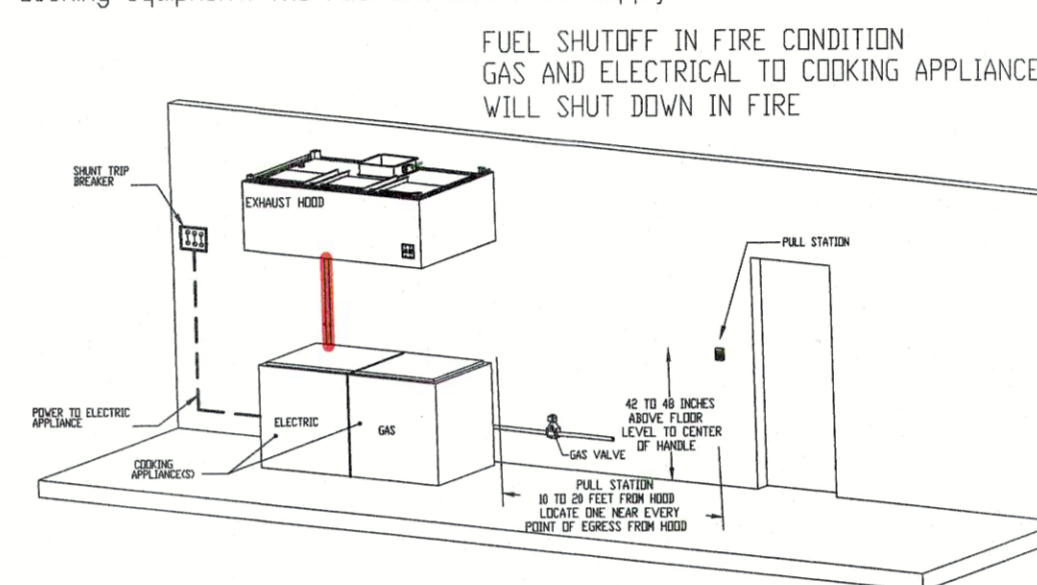


Range-Sn High Proximity 12.00' L x 24.00' D	Griddle (CN) High Proximity 24.00' L x 24.00' D	Griddle (CN) High Proximity 48.00' L x 24.00' D	Table No Proximity Rating 12.00' L x 24.00' D	Griddle (CN) High Proximity 36.00' L x 24.00' D
---	---	---	---	---

Wok, Small High Proximity 14.00' Diameter	Fryer-A w/Drp Board High Proximity 15.00' L x 16.00' D	Griddle (CN) High Proximity 24.00' L x 20.00' D	Range Shelf (20" min from High Proximity 24.00' L x 24.00' D	Rice Cooker (No Coverage) High Proximity 20.00' Diameter
---	--	---	--	--

All Fire System Piping will be 3/8" schedule 40 black iron.

NC FIRE CODE 904.11.2
System Interconnection:
The Actuation of the fire extinguishing system shall automatically shut down the fuel or electrical power supply to the cooking equipment. The fuel and electrical supply reset shall be manual.



CAPTIVE-AIRE HOODS ARE BUILT IN COMPLIANCE WITH:

CAPTIVE-AIRE HOODS ARE BUILT IN COMPLIANCE WITH

NSF
NFPA #96
UL 710 & ULC710 STANDARDS
E.T.L. LISTED 3054804-001



FOR QUESTIONS
CONTACT: JOE WYLIE
NORTH CAROLINA REGIONAL OFFICE
PHONE: (919) 825-3566
EMAIL: REG36@CAPTIVEAIRE.COM FAX: (919) 227-5917

- ** Below Work to be performed by Factory Trained & Certified T&B Servicing Agent: **
- Verify that all components are installed correctly and are in accordance with as-built drawings
 - All equipment to be commissioned per start-up procedures in O&M documents
 - Check fan rotation, belt tension, blower and motor rpm, amperage and adjust if necessary
 - Complete Hood/Fans Test & Balance Worksheet using Shortridge Airdata Multimeter and provide to Mechanical Engineer
 - Verify and adjust equipment to assure hood captures correctly and features perform as designed
 - Consult with contractors to provide answers to their questions directly or via technical support line
 - Provide guidance on the proper function and maintenance of equipment to Owners or General Contractors
 - Complete Manufacturers Start-up and Warranty Form and send copy to Mechanical Engineer for their files

NOTES

- FIELD PIPE DROPS AS SHOWN
- SLEEVING, ELBOWS, TEES, AND NOZZLES SUPPLIED BY CAS
- RELOCATE NOZZLES IF FLOW PATTERN IS BLOCKED BY SHELVING, SALAMANDERS, ETC.
- MAXIMUM 9 ELBOWS IN SUPPLY LINE.
- MINIMUM 72 INCHES OF AGENT LINE FROM TANK TO FIRST NOZZLE.
- IF APPLICABLE, PRE-PIPED CHARBROILER DROPS ARE SHIPPED LOOSE.
- FACTORY PIPING EXTENDS A MAXIMUM OF 6" ABOVE THE TOP OF THE HOOD.
- APPLIANCE DIMENSIONS LISTED REPRESENT THE COOKING SURFACE SIZE, NOT THE OVERALL APPLIANCE SIZE.
- THIS FIRE SYSTEM COMPLIES WITH UL 300 REQUIREMENTS

Job #: 4091534

Job Name: FIRE REV LILLINGTON HIBACHI

System Size: ANSUL-3.0/3.0 Total FP required: 20
Hood # 1 12' 6.00" Long x 54" Wide x 24" High
Riser # 1 Size: 18" Dia.
Hood # 1 Metal Blow-Off Caps included.
Hood # 2 12' 0.00" Long x 54" Wide x 24" High
Riser # 1 Size: 18" Dia.
Hood # 2 Metal Blow-Off Caps included.

LEGEND - FIRE CABINET ANSUL SYSTEM

1A	1.5 GALLON TANK
1B	3 GALLON TANK
2	DEM AUTOMAN RELEASE
3	DEM REGULATED RELEASE
4	DEM REGULATED ACTUATOR
5	ANSULEX LIQUID AGENT (3 GAL.)
6	ANSULEX LIQUID AGENT (1.5 GAL.)
7	CARTRIDGE (101-20)
8	CARTRIDGE (101-10)
9	CARTRIDGE (101-30)
9A	CARTRIDGE (LT-A-101-30)
9B	DOUBLE TANK CARTRIDGE
10	TEST LINK
11	DOUBLE MICROSWITCH
12	HOSE ASSEMBLY
1100	DUCT NOZZLE (430913)
2W	DUCT NOZZLE (419337)
1W	NOZZLE ASSEMBLY (419336)
1F	NOZZLE ASSEMBLY (419333)
1N	NOZZLE ASSEMBLY (419335)
1/2N	NOZZLE ASSEMBLY (419334)
3N	NOZZLE ASSEMBLY (419338)
245	NOZZLE ASSEMBLY (419340)
230	NOZZLE ASSEMBLY (419339)
2120	NOZZLE ASSEMBLY (419343)
290	NOZZLE ASSEMBLY (419342)
260	NOZZLE ASSEMBLY (419341)
28	DETECTOR BRACKET
29	LOW TEMP FUSIBLE LINK
30	HIGH TEMP FUSIBLE LINK
MGV	MECHANICAL GAS VALVE
EGV	ELECTRICAL GAS VALVE
34	REMOTE MANUAL PULL STATION
S	SWIVEL ADAPTOR

Installation by:
Pye Barker Fire & Safety
832-101 Purser Drive
Raleigh, NC 27603
(919) 779-4010

REVISIONS

DESCRIPTION	DATE



FOR QUESTIONS
CONTACT: JOE WYLIE
NORTH CAROLINA REGIONAL OFFICE
PHONE: (919) 825-3566
EMAIL: REG36@CAPTIVEAIRE.COM FAX: (919) 227-5917

CAPTIVEAIRE
www.captiveaire.com
reg36@captiveaire.com

LILLINGTON HIBACHI 050719
133 W CORNELIUS, HARNETT BLVD,
LILLINGTON, NC, 27546

DATE: 11/27/19
DWG.#: 3820973
DRAWN BY: reg36
SCALE: 3/4" = 1'-0"
MASTER DRAWING
SHEET NO. 1