



Structural Letter of Approval

November 25, 2024
Beam Solar Co
1231 Shields Road Ste. 5
Kernersville, NC 27284

Eudell Coe Residence: 16 Railwood Cir, Fuquay-Varina, NC 27526

Dear Sir/ Madam,

Terra Engineering Consulting (TEC) has performed a structural evaluation for the roof of the structure referenced above based on its existing and proposed load conditions. The attached calculations are based on the assumption that the existing structural components are in good condition and that they meet industry standards. The existing structure information is assumed based on the site visit documentation provided by the client (Beam Solar Co). The design information and assumptions that the calculations are based on are located in the attached References page. The design of the solar panel's mounting hardware is provided by others.

Design Method

This engineering analysis was performed in accordance with ASCE 7-10 and 2018 North Carolina Residential Code (NCRC) design methods. In general, this design method is a comparison of the roof loads before and after the solar panel installation. The snow load in the area of the panels will be reduced due to the roof pitch and the solar panel's slippery surface, as justified in Section 7.4 in ASCE 7-10. Due to the reduction in snow load, the total roof loads and the stresses of the structural elements decrease after the solar panels are installed.

Results

The total additional roof load of the solar panels system is 3 psf, and the typical 20 psf live load will not be present in the area of the panels, as defined per R324.4.1 in 2018 NCRC. The slippery surface snow load reduction allowed in Section 7.4 in ASCE 7-10 reduces the roof snow load in the area of the solar panels. The total combined vertical loads are reduced when considering the worst-case load combination (ASD). Regarding lateral wind loads, the solar panel structure is considered to be partially enclosed due to the low profile of the panels (3 to 6 inches) and airflow restrictions below the panels caused by the pv frame, wiring, conduit, and frame brackets. Because the system is considered to be 'partially enclosed' additional wind pressure on the structure is considered negligible. The addition of total PV system weight results in an increase of under 10% of the total roof weight, and meets the seismic requirements in Section 403.4 of 2018 NCEBC. See the attached calculations for further details.

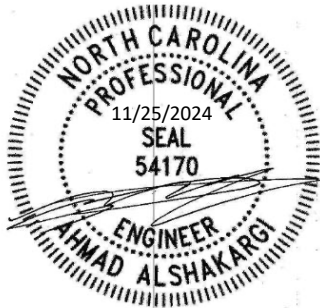
Conclusions

TEC concludes that the installation of solar panels on existing roof will not affect the structure and allows it to remain unaltered under the applicable design standards. The calculations performed to support these conclusions are attached to this letter.

General Instructions

1. The contractor shall comply with all Federal, State, County, City, local and OSHA mandated regulations and requirements. The most stringent shall govern.
2. Contractor shall keep an accurate set of As-Built plans.
3. The solar panel's racking system and mounting hardware shall be mounted in accordance with the manufacturer's most recent installation manual.
4. Connection: 5/16" lag screws 2.5" minimum penetration at 48" maximum spacing. Maximum overhang: 12".
5. Panel support connections shall be staggered to distribute load to adjacent trusses.
6. If during solar panel installation, the roof framing members appear unstable or deflect non-uniformly, our office should be notified before proceeding with the installation.
7. Structural observation or construction inspections will not be performed by TEC, Engineer-of-Record (EOR) nor their representatives.
8. TEC Solar assumes no responsibility for improper installation of the solar panels.

Best Regards,
TEC Solar, PLLC



Ahmad Alshakargi, PE
Civil (Structural) Engineer
Firm License P-3037

References

Design Parameter

Code: 2018 North Carolina Residential Code, ASCE 7-10

Risk Category: II

Ground Snow load: 15 psf

Roof Snow load: 10.4 psf

Design Wind Speed: 120 mph (3 sec gust) per ASCE 7-10

Existing roof dead load: 10.1 psf

Live Load: 20 psf (reducible where panels are located per R324.4.1 in 2018 NCRC).

Seismic Design Category: D2

Wind Exposure Category: C

Existing Roof Structure

Roof framing: 2x4 Rafters at 24" O.C.

Roof material: Composite shingles

Roof slope: 23°

Solar Panels

Weight: 3 psf



Date: 11/25/24
 Client: Eudell Coe
 Subject: Gravity load

Gravity load calculations

Snow load (S)

	Existing	w/ solar panels	
Roof slope (°):		23	23
Ground snow load, pg (psf):		15	15 ASCE 7-10, Section 7.2
Terrain category:	C	C	ASCE 7-10, table 7-2
Exposure of roof:	Fully exposed	Fully exposed	ASCE 7-10, table 7-2
Exposure factor, Ce:		0.9	0.9 ASCE 7-10, table 7-2
Thermal factor, Ct:		1.1	1.1 ASCE 7-10, table 7-3
Risk Category:	II	II	ASCE 7-10, table 1.5-1
<i>Minimum roof snow load, Pm, per ASCE 7-16 Section 7.3.4: Is.Pg (where Pg is <= 20 psf), 20.Is (where Pg is > 20psf), Minimum roof snow load</i>			
Importance Factor, Is:		1	1 ASCE 7-10, table 1.5-2
Flat roof snow load, pf (psf):		10.4	10.4 ASCE 7-10, equation 7.3-1
Minimum roof snow load, pm (psf):		20	20 ASCE 7-10, equation 7.3-4
Roof Surface type:	Other	Unobstructed slippery surface	ASCE 7-10, Section 7.4
Roof slope factor, Cs:		1	0.78 ASCE 7-10, figure 7-2b
		$P_s = C_s P_f$	(7.4-1)
Sloped roof snow load, ps [psf]:		10.4	ASCE 7-10, equation 7.4-1 Design 8.1 Snow Load (S)

Roof dead load (D)

Roof pitch/12	5.1		
Composite shingles	3 psf	1/2" Gypsum clg.	0 psf
1/2" plywood	1.5 psf	insulation	0.8 psf
Framing	3 psf	M, E & Misc	1 psf
<hr/>			
Roof DL without PV arrays	10.1 psf		
PV Array DL	3 psf		

Roof live load (Lr)

	Existing	w/ solar panels	
Roof Live Load		20	0 R324.4.1 in 2018 NCRC

ASD Load combination:

	Existing	With PV array	
D [psf]	10.1	13.1	ASCE 7-10, Section 2.4.1
D+L [psf]	10.1	13.1	ASCE 7-10, Section 2.4.1
D+[Lr or S or R] [psf]	30.1	21.2	ASCE 7-10, Section 2.4.1
D+0.75L+0.75[Lr or S or R] [psf]	25.1	19.2	ASCE 7-10, Section 2.4.1
<u>Maximum gravity load [psf]:</u>	30.1	21.2	
Ratio proposed load to existing load:		70.46%	

The stresses due to gravity load in the area of the solar panels is reduced, allowing the structure to remain unaltered.



Date: 11/25/24
 Client: Eudell Coe
 Subject: Wind load and Connection

Wind Pressure Calculations

$$p = q_p((GC_p) - (GC_{pi})) \quad (30.9-1)$$

Basic wind speed (mph)	120		
Risk category	II		
Exposure category	C		
Roof type	Gable		
Figure for GCp values	ASCE 7-10 Figure 30.3-2A-I		
	Zone 1	Zone 2	Zone 3
GCp (neg)	-0.9	-1.7	-2.6
GCp (pos)	0.5	0.5	0.5
zg (ft)	900 (ASCE 7-10 Table 26.11-1)		
α	9.5 (ASCE 7-10 Table 26.11-1)		
Kzt	1 (ASCE 7-10 Equation 26.8-1)		
Kh	0.94 (ASCE 7-10 Table 26.10-1)		
Kd	0.85 (ASCE 7-10 Table 26.6-1)		
Velocity Pressure, qh (psf)	29.45 (ASCE 7-10 Equation 26.10-1)		
Gcpi	0 (ASCE 7-10 Table 26.13-1)		

(only changes if structure located on a hill or ridge)

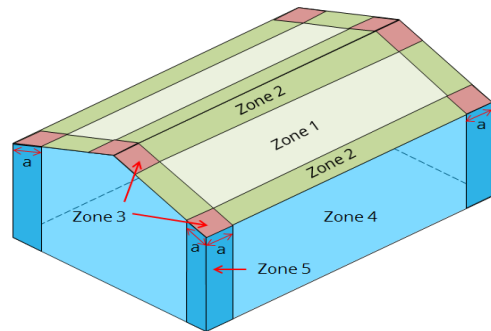
	Zone 1	Zone 2	Zone 3
W Pressure, (neg) [psf]	-26.51	-50.07	-76.58
W Pressure, (pos) [psf]	14.73	14.73	14.73
W Pressure, (Abs. max) [psf]	26.51	50.07	76.58

Connection Calculations (Lag bolts)

Capacity

Connection type:	Lag screw		
Embedment (in):	2.5		
Framing grade:	DFL#2	G:	0.5
Capacity [lbs/in]:	266 (2018 NDS table 12.2A)		
Number of screws:	1		
Total capacity [lbs]:	665.00		

Lag screw diameter: 5/16



Demand

Anchor spacing: 48 in
 Anchor spacing in roof corners: 48 in

Zone	(0.6 W Pressure, psf), see Note 1	Max. tributary area (ft^2)	Max Uplift force (lbs)
1	15.9	11	175.0
2	30.0	11	330.5
3	45.9	11	505.4

Connection Meets Demand

Note 1: 0.6W results from dominant ASD combo [0.6D+0.6W] (ASCE 7-10 2.4.1).

HOUSE PHOTO



VICINITY MAP



SHEET INDEX

PV-100.00	TITLE SHEET
PV-200.00	SITE PLAN
PV-300.00	GENERAL NOTES
PV-400.00	ROOF PLAN
PV-500.00	DETAIL DRAWINGS
PV-501.00	DETAIL DRAWINGS
PV-600.00	3 LINE DIAGRAM
PV-700.00	SPECS & CALCS
PV-800.00	WARNING LABELS
MSD	DATA SHEETS
BOM	BILL OF MATERIALS



BEAM SOLAR CO.
1231 SHIELDS ROAD
STE. 5
KERNERSVILLE, NC 27284

SCOPE OF WORK:

TO INSTALL OF A 12 MODULE ROOF MOUNTED SOLAR PHOTOVOLTAIC SYSTEM AT THE OWNER RESIDENCE LOCATED AT 16 RAILWOOD CT THE POWER GENERATED BY THE PV SYSTEM WILL BE INTERCONNECTED WITH THE UTILITY GRID THROUGH THE EXISTING ELECTRICAL SERVICE EQUIPMENT. THE PV SYSTEM DOES NOT INCLUDE STORAGE BATTERIES.

EUELLE COE
RESIDENCE
16 RAILWOOD CT
FUQUAY-VARINA, NC 27526
(1252)722-2550
MCCORMICKTLG@OUTLOOK.COM
TMK: ----

DRAWN BY: XAM CONGE

DATE: 2025-02-07

REVISION:

NO.	DESCRIPTION	DATE

TITLE SHEET

PV-100.00

GENERAL PROJECT INFO:

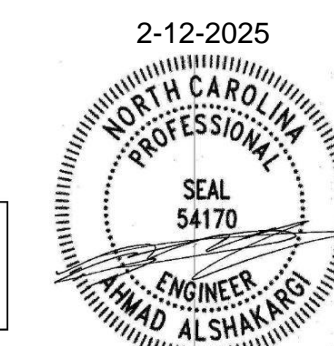
UTILITY COMPANY	DUKE
CITY	FUQUAY-VARINA
AHJ	COUNTY OF HARNETT
DC SYSTEM	5.040 KWDC
AC SYSTEM	3.480 KWAC
MODULE	Q.TRON BLK M-G2+ 420W MODULES
INVERTER	ENPHASE IQ8PLUS-72-2-US (240V)
MICROINVERTER	

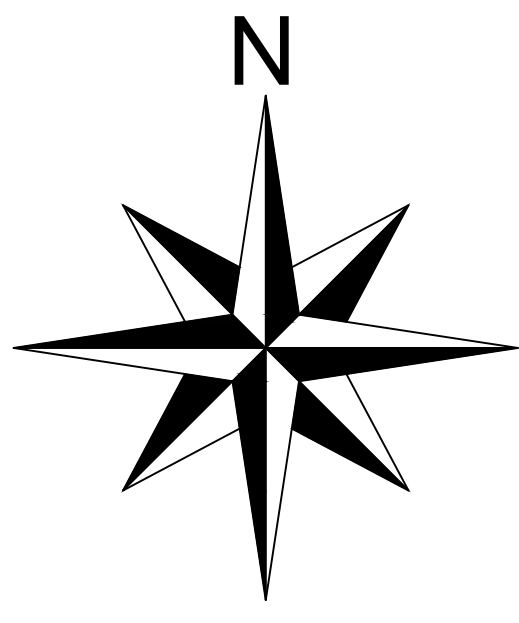
GOVERNING CODES:

2018 INTERNATIONAL BUILDING CODE
2018 INTERNATIONAL RESIDENTIAL CODE
2018 INTERNATIONAL EXISTING BUILDING CODE
2015 INTERNATIONAL FIRE CODE
2017 NATIONAL ELECTRIC CODE

TEC Solar, PLLC
8470 W Magna Main St Unit 311, Magna, UT 84044
North Carolina Firm License P-3037

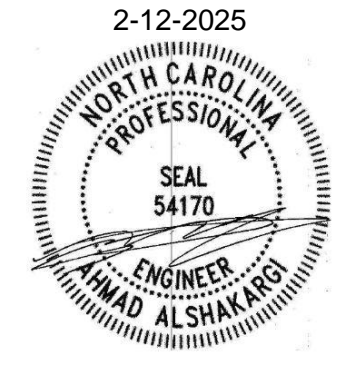
The mounting hardware is provided by manufacturer and is out of scope of this review. Structural observation or construction inspection will not be performed by TEC, Engineer-of-Record (EOR) nor their representatives.





TEC Solar, PLLC
 8470 W Magna Main St Unit 311, Magna, UT 84044
 North Carolina Firm License P-3037

The mounting hardware is provided by manufacturer and is out of scope of this review. Structural observation or construction inspection will not be performed by TEC, Engineer-of-Record (EOR) nor their representatives.



(12) Q.TRON BLK M-G2+ 420W
 MODULES
 (12) ENPHASE IQ8PLUS-72-2-US
 (240V) MICROINVERTERS

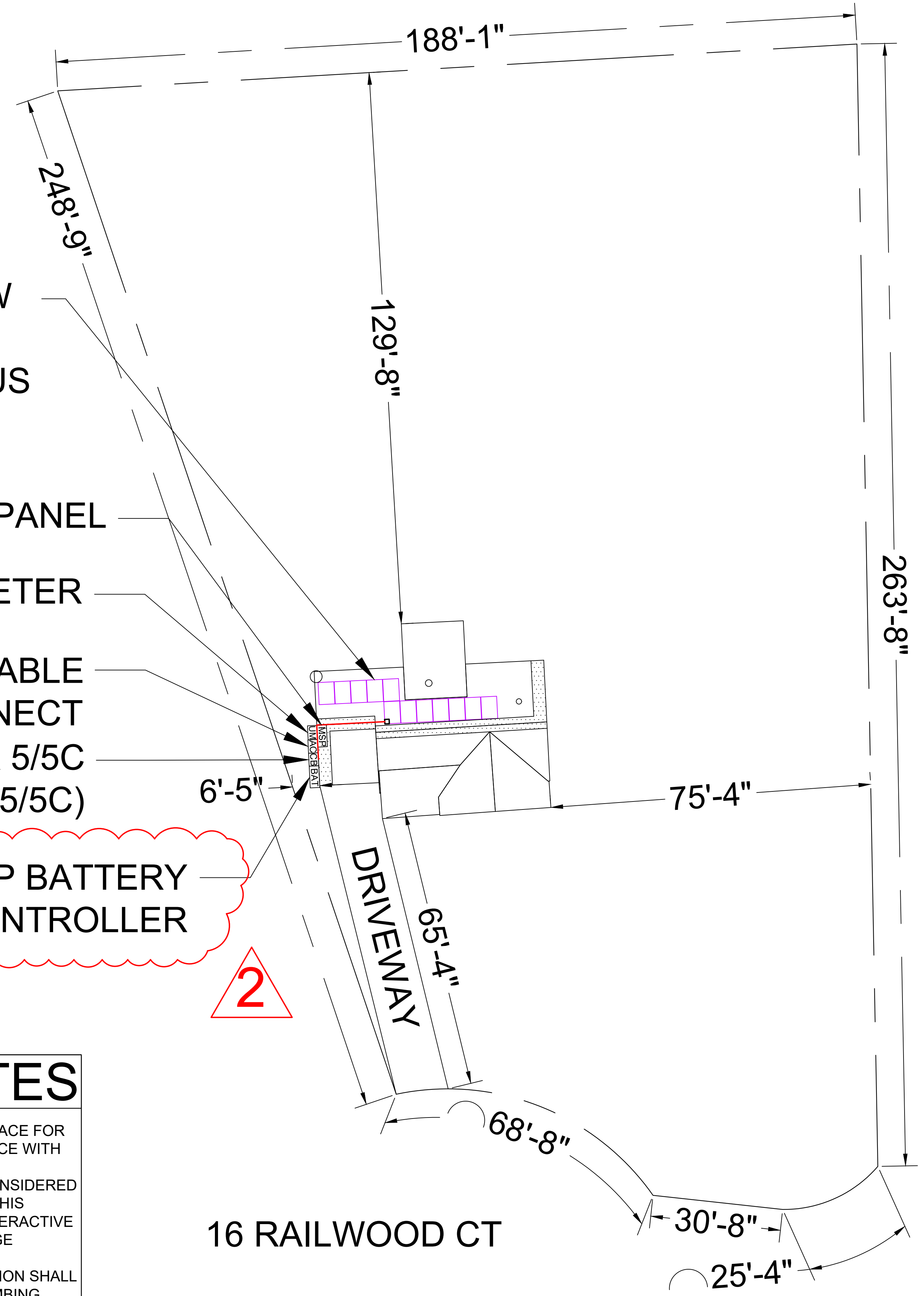
(E) MAIN SERVICE PANEL

(E) UTILITY METER

(N) VISIBLE LOCKABLE
 LABELED AC DISCONNECT

(N) ENPHASE IQ COMBINER 5/5C
 (X-AM1-IQ-240-5/5C)

(N) ENPHASE ENCHARGE 5P BATTERY
 AND IQ SYSTEM CONTROLLER



BEAM SOLAR CO.
 1231 SHIELDS ROAD
 STE. 5
 KERNERSVILLE, NC 27284

SCOPE OF WORK:

TO INSTALL OF A 12 MODULE ROOF MOUNTED SOLAR PHOTOVOLTAIC SYSTEM AT THE OWNER RESIDENCE LOCATED AT 16 RAILWOOD CT THE POWER GENERATED BY THE PV SYSTEM WILL BE INTERCONNECTED WITH THE UTILITY GRID THROUGH THE EXISTING ELECTRICAL SERVICE EQUIPMENT. THE PV SYSTEM DOES NOT INCLUDE STORAGE BATTERIES.

EUDELL COE
 RESIDENCE
 16 RAILWOOD CT
 FUQUAY-VARINA, NC 27526
 (1252)722-2550
 MCCORMICKTLG@OUTLOOK.COM
 TMK: ----

DRAWN BY: XAM CONGE

DATE: 2025-02-07

REVISION:

NO.	DESCRIPTION	DATE

SITE PLAN

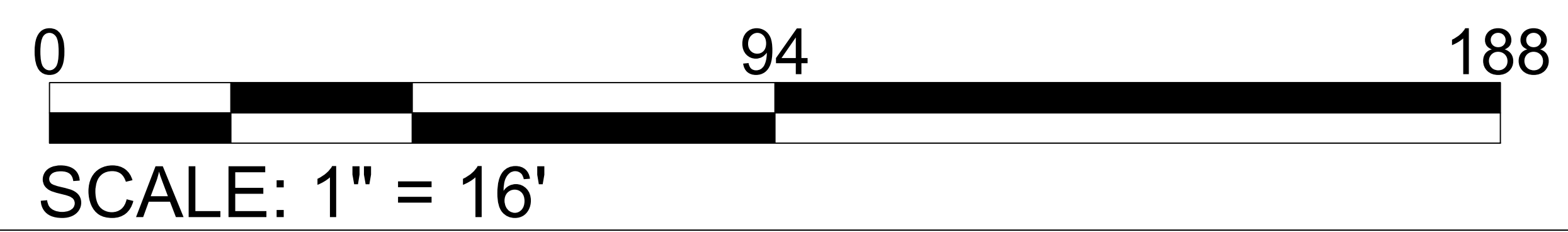
PV-200.00

LEGEND

SITE NOTES

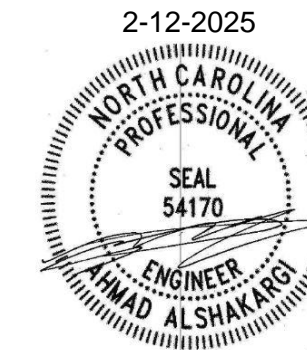
UM	UTILITY METER
MSP	MAIN SERVICE PANEL
PM	PRODUCTION METER
AC	AC DISCONNECT
CB	COMBINER PANEL

- A LADDER SHALL BE IN PLACE FOR INSPECTION IN COMPLIANCE WITH OSHA REGULATIONS.
- THE PV MODULES ARE CONSIDERED NON-COMBUSTIBLE AND THIS SYSTEM IS AN UTILITY INTERACTIVE SYSTEM WITH NO STORAGE BATTERIES.
- THE SOLAR PV INSTALLATION SHALL NOT OBSTRUCT ANY PLUMBING, MECHANICAL, OR BUILDING ROOF VENTS.
- PROPER ACCESS AND WORKING CLEARANCE AROUND EXISTING AND PROPOSED ELECTRICAL EQUIPMENT WILL BE PROVIDED AS PER SECTION [NEC 110.26]



TEC Solar, PLLC
 8470 W Magna Main St Unit 311, Magna, UT 84044
 North Carolina Firm License P-3037

The mounting hardware is provided by manufacturer and is out of scope of this review. Structural observation or construction inspection will not be performed by TEC, Engineer-of-Record (EOR) nor their representatives.



GENERAL NOTES:

- THESE CONSTRUCTION DOCUMENTS HAVE BEEN BASED ON FIELD INSPECTIONS AND OTHER INFORMATION AVAILABLE AT THE TIME. ACTUAL FIELD CONDITIONS MAY REQUIRE MODIFICATIONS IN CONSTRUCTION DETAILS.
- ARCHITECT HAS NOT BEEN RETAINED TO SUPERVISE ANY CONSTRUCTION OR INSTALLATION OF ANY EQUIPMENT AT SITE.
- CONTRACTOR SHALL FURNISH ALL LABOR, MATERIAL, EQUIPMENT, TOOLS, OBTAINS ALL PERMITS, LICENSES AND PAY ALL REQUIRED FEES AND COMPLETE INSTALLATION.
- CONTRACTOR HAS THE FULL RESPONSIBILITY TO CHECK AND VERIFY ALL DIMENSIONS AND EXISTING CONDITIONS. ANY DISCREPANCIES SHALL BE REPORTED TO THE ENGINEER BEFORE PROCEEDING WITH THE WORK. ANY WORK STARTED BEFORE CONSULTATION AND ACCEPTANCE BY THE ENGINEER SHALL BE THE SOLE RESPONSIBILITY OF THE CONTRACTOR AND SHALL BE SUBJECT TO CORRECTION BY THEM WITHOUT ADDITIONAL COMPENSATION.
- DAMAGE CAUSED TO THE EXISTING STRUCTURE, PIPES, DUCTS, WINDOWS, WALL, FLOORS, ETC. SHALL BE REPAIRED TO THE ORIGINAL CONDITION OR REPLACED BY THE CONTRACTOR AT NO ADDITIONAL COST.
- THE CONTRACTOR SHALL BE HELD RESPONSIBLE FOR THE PROPER INSTALLATION AND COMPLETION OF THE WORK WITH APPROVED MATERIALS. · NO CHANGES ARE TO BE MADE WITHOUT THE CONSULTATION AND APPROVAL OF THE ARCHITECT. · CONTRACTOR SHALL OBTAIN BUILDING PERMIT. NO WORK TO START UNLESS BUILDING PERMIT IS PROPERLY DISPLAYED.
- ALL WORKMANSHIP AND MATERIALS SHALL BE OF FIRST QUALITY AND IN COMPLIANCE WITH THE REQUIREMENTS OF THE NC BUILDING CODE, THE DEPARTMENT OF ENVIRONMENTAL PROTECTION AND ALL PERTINENT AGENCIES.
- IT IS ESSENTIAL THAT ALL WORK PROCEED WITH THE MAXIMUM COOPERATION OF ALL PARTIES AND WITH MINIMUM INTERFERENCE TO THE OCCUPANTS WITHIN THE BUILDING. THE OWNER'S DIRECTIONS IN THIS REGARD SHALL BE FULLY COMPLIED WITH.
- ALL EXPOSED PLUMBING, HVAC, ELECTRICAL DUCTWORK, PIPING AND CONDUITS ARE TO BE PAINTED BY GENERAL CONTRACTOR. · THE CONTRACTOR SHALL PERFORM THE WORK IN STRICT CONFORMANCE WITH THE LOCAL LAWS, REGULATIONS AND THE NATIONAL ELECTRIC CODE.
- THE CONTRACTOR SHALL OBTAIN ALL PERMITS, APPROVALS, AFFIDAVITS, CERTIFICATIONS, ETC. AND PAY ALL FEES AS REQUIRED BY THE LOCAL AUTHORITIES. CONTRACTORS SHALL OBTAIN FIRE CERTIF. UPON COMPLETION OF WORK.

ELECTRICAL NOTES:

- THE EQUIPMENT AND ALL ASSOCIATED WIRING AND INTERCONNECTION SHALL BE INSTALLED ONLY BY QUALIFIED PEOPLE. A QUALIFIED PERSON IS ONE WHO HAS SKILLS AND KNOWLEDGE RELATED TO THE CONSTRUCTION AND OPERATION OF THE ELECTRICAL EQUIPMENT AND INSTALLATIONS AND HAS RECEIVED SAFETY TRAINING TO RECOGNIZE AND AVOID THE HAZARDS INVOLVED. (NEC 690.4(E) AND 705.6)
- LOCAL UTILITY PROVIDER SHALL BE NOTIFIED PRIOR TO USE AND ACTIVATION OF ANY SOLAR PHOTOVOLTAIC INSTALLATION. FOR A LINE SIDE TAP CONNECTION, UTILITY NEEDS TO BE NOTIFIED WELL IN ADVANCE TO COORDINATE BUILDING ELECTRICAL SHUT OFF.
- NEW CONDUIT ROUTING SHOWN IS ESSENTIALLY SCHEMATIC. SUBCONTRACTOR SHALL LAY OUT RUNS TO SUIT FIELD CONDITIONS AND THE COORDINATION REQUIREMENTS OF OTHER TRADES.
- ARRAY WIRING SHOULD NOT BE READILY ACCESSIBLE EXCEPT TO QUALIFIED PERSONNEL.
- ALL EXTERIOR CONDUIT, FITTINGS, AND BOXES SHALL BE WATERTIGHT AND APPROVED FOR USE IN WET LOCATIONS. (NEC 314.15A).
- WIRING METHODS FOR PV SYSTEM CONDUCTORS AREN'T PERMITTED WITHIN 10 IN. OF THE ROOF DECKING OR SHEATHING EXCEPT WHERE LOCATED DIRECTLY BELOW THE ROOF SURFACE THAT'S COVERED BY PV MODULES AND ASSOCIATED EQUIPMENT WIRING
- BACK-FED BREAKER MUST BE AT THE OPPOSITE END OF BUS BAR FROM THE MAIN BREAKER OR MAIN LUG SUPPLYING CURRENT FROM THE UTILITIES.
- ALL CONDUCTORS AND WIRE TIES EXPOSED TO SUNLIGHT ARE LISTED AS UV RESISTANT.
- CONTRACTOR SHALL FOLLOW ALL ELECTRICAL EQUIPMENT LABELING REQUIREMENTS IN NEC 690 AND IFC 2021 · PV SOURCE, OUTPUT AND INVERTER CIRCUITS SHALL BE IDENTIFIED AT ALL POINTS OF TERMINATION, CONNECTION, AND SPLICES. THE MEANS OF ID CAN BE SEPARATE COLOR CODING, MARKING TAPE, TAGGING ETC. (NEC 690.4).
- MEASURE THE LINE-TO-LINE AND LINE-TO-NEUTRAL VOLTAGE OF ALL SERVICE ENTRANCE CONDUCTORS PRIOR TO INSTALLING ANY SOLAR EQUIPMENT. THE VOLTAGES FOR THE 240VAC RATED.

WIRING AND CONDUIT NOTES:

- ALL CONDUIT SIZES AND TYPES, SHALL BE LISTED FOR ITS PURPOSE AND APPROVED FOR THE SITE APPLICATIONS
- ALL PV CABLES AND HOMERUN WIRES BE #10AWG *USE-2, PV WIRE, OR PROPRIETARY SOLAR CABLING SPECIFIED BY MFR, OR EQUIVALENT; ROUTED TO SOURCE CIRCUIT COMBINER BOXES AS REQUIRED
- ALL CONDUCTORS AND OCPD SIZES AND TYPES SPECIFIED ACCORDING TO [NEC 690.8 (A)(1) & (B)(1)], [NEC 240] [NEC 690.7] FOR MULTIPLE CONDUCTORS
- ALL PV DC CONDUCTORS IN CONDUIT EXPOSED TO SUNLIGHT SHALL BE DERATED ACCORDING TO [NEC TABLE 310.15 (B)(2)(C)] BLACK ONLY**
- EXPOSED ROOF PV DC CONDUCTORS SHALL BE USE-2, 90°C RATED, WET AND UV RESISTANT, AND UL LISTED RATED FOR 600V, UV RATED SPIRAL WRAP SHALL BE USED TO PROTECT WIRE FROM SHARP EDGES
- PHASE AND NEUTRAL CONDUCTORS SHALL BE DUAL RATED THHN/THWN-2 INSULATED, 90°C RATED, WET AND UV RESISTANT, RATED FOR 600V PER NEC 2008 OR 1000V PER NEC 2011
- 4-WIRE DELTA CONNECTED SYSTEMS HAVE THE PHASE WITH THE HIGHER VOLTAGE TO GROUND MARKED ORANGE OR IDENTIFIED BY OTHER EFFECTIVE MEANS
- ALL SOURCE CIRCUITS SHALL HAVE INDIVIDUAL SOURCE CIRCUIT PROTECTION VOLTAGE DROP LIMITED TO 2%
- AC CONDUCTORS >4AWG COLOR CODED OR MARKED: PHASE A OR L1- BLACK, PHASE B OR L2- RED, PHASE C OR L3- BLUE, NEUTRAL- WHITE/GRAY



BEAM SOLAR CO.
 1231 SHIELDS ROAD
 STE. 5
 KERNERSVILLE, NC 27284

SCOPE OF WORK:

TO INSTALL OF A 12 MODULE ROOF MOUNTED SOLAR PHOTOVOLTAIC SYSTEM AT THE OWNER RESIDENCE LOCATED AT 16 RAILWOOD CT THE POWER GENERATED BY THE PV SYSTEM WILL BE INTERCONNECTED WITH THE UTILITY GRID THROUGH THE EXISTING ELECTRICAL SERVICE EQUIPMENT. THE PV SYSTEM DOES NOT INCLUDE STORAGE BATTERIES.

EUELL COE
 RESIDENCE
 16 RAILWOOD CT
 FUQUAY-VARINA, NC 27526
 (1252)722-2550
 MCCORMICKTLG@OUTLOOK.COM
 TMK: ----

DRAWN BY: XAM CONGE

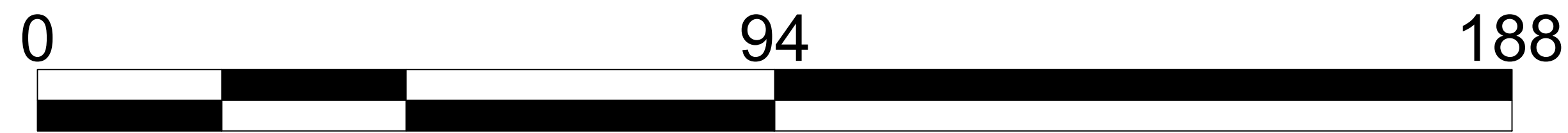
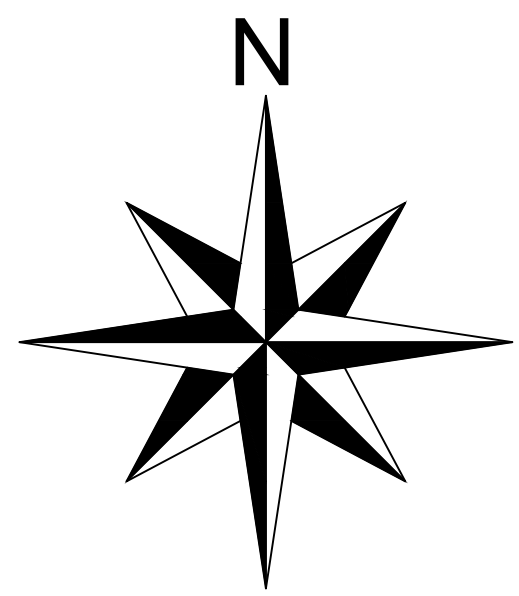
DATE: 2025-02-07

REVISION:

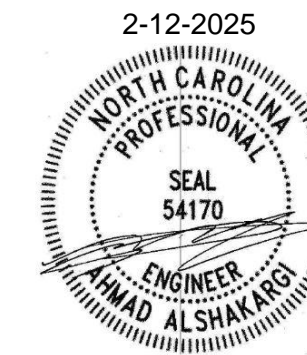
NO.	DESCRIPTION	DATE

GENERAL NOTES

PV-300.00



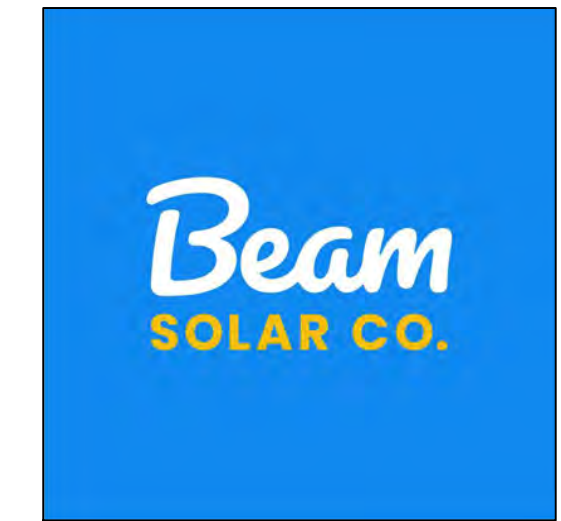
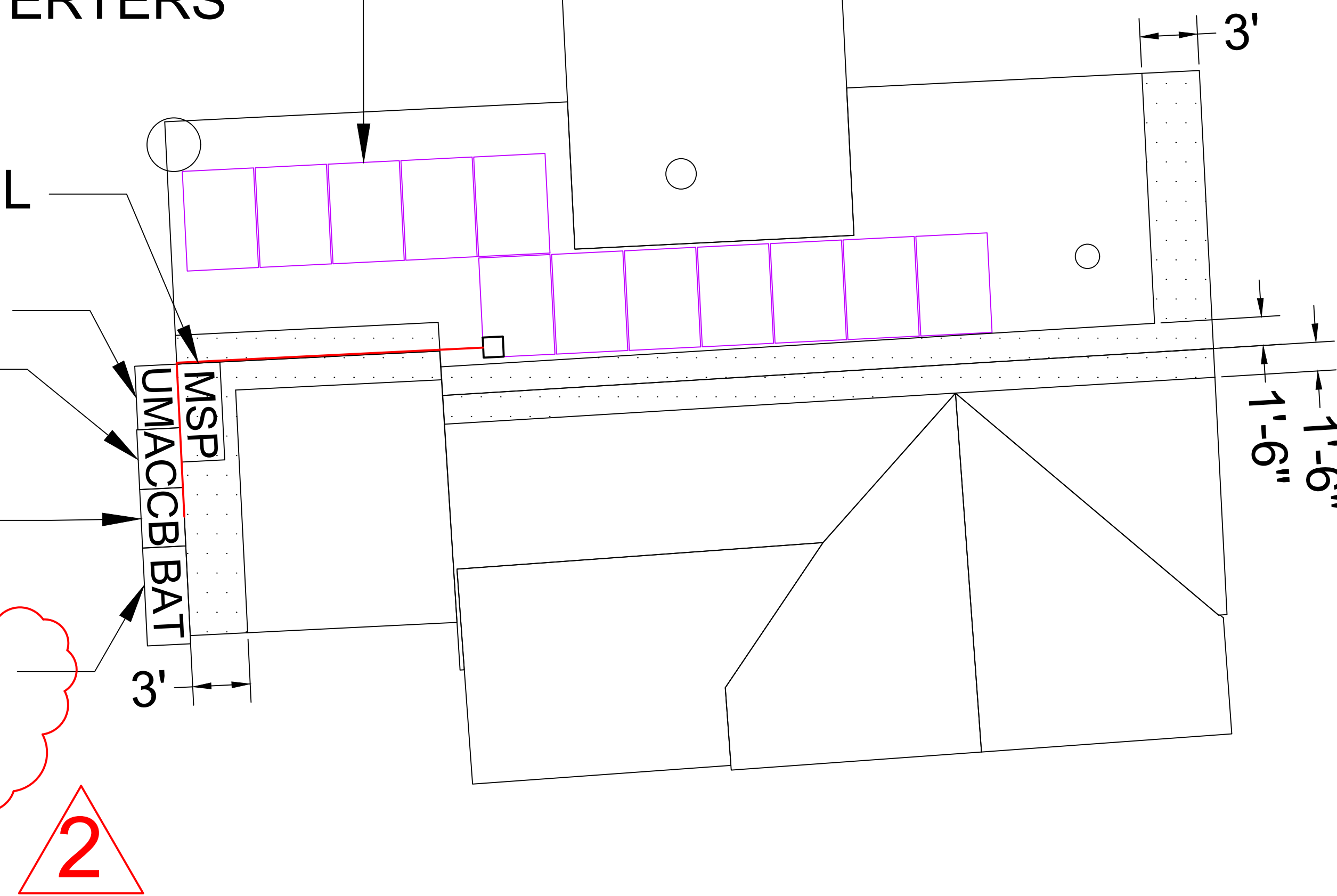
TEC Solar, PLLC
 8470 W Magna Main St Unit 311, Magna, UT 84044
 North Carolina Firm License P-3037
 The mounting hardware is provided by manufacturer and is out of scope of this review. Structural observation or construction inspection will not be performed by TEC, Engineer-of-Record (EOR) nor their representatives.



(12) Q.TRON BLK M-G2+ 420W
 MODULES
 (12) ENPHASE IQ8PLUS-72-2-US
 (240V) MICROINVERTERS

ROOF SECTION 1
 COUNT 12
 TILT 23
 AZIMUTH 357

(E) MAIN SERVICE PANEL
 (E) UTILITY METER
 (N) VISIBLE LOCKABLE
 LABELED AC DISCONNECT
 (N) ENPHASE IQ COMBINER 5/5C
 (X-AM1-IQ-240-5/5C)
 (N) ENPHASE ENCHARGE 5P BATTERY
 AND IQ SYSTEM CONTROLLER



BEAM SOLAR CO.
 1231 SHIELDS ROAD
 STE. 5
 KERNERSVILLE, NC 27284

SCOPE OF WORK:

TO INSTALL OF A 12 MODULE ROOF MOUNTED SOLAR PHOTOVOLTAIC SYSTEM AT THE OWNER RESIDENCE LOCATED AT 16 RAILWOOD CT THE POWER GENERATED BY THE PV SYSTEM WILL BE INTERCONNECTED WITH THE UTILITY GRID THROUGH THE EXISTING ELECTRICAL SERVICE EQUIPMENT. THE PV SYSTEM DOES NOT INCLUDE STORAGE BATTERIES.

EUELLE COE
 RESIDENCE
 16 RAILWOOD CT
 FUQUAY-VARINA, NC 27526
 (1252)722-2550
 MCCORMICKTLG@OUTLOOK.COM
 TMK: ----

DRAWN BY: XAM CONGE

DATE: 2025-02-07

REVISION:

NO.	DESCRIPTION	DATE

ROOF PLAN

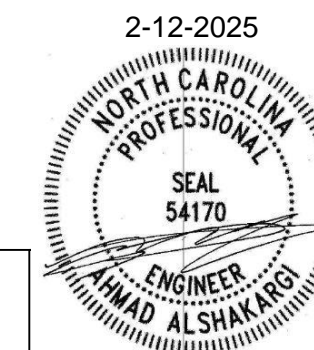
PV-400.00

DESIGN SPECIFICATION		MOUDLE TYPE, DIMENSIONS, & WEIGHT	
RISK CATEGORY:	II	NUMBER OF MODULES:	12 MODULES
CONSTRUCTION:	SFD	MODULE TYPE:	Q.TRON BLK M-G2+ 420W MODULES
ZONING:	RES	MODULE WEIGHT:	46.74 LBS
SNOW LOAD (ASCE 7-16):	15 PSF	MODULE DIMENSIONS:	67.8" (L) x 44.65" (W) = 21.02 SF
EXPOSURE CATEGORY:	B	UNIT WEIGHT OF AREA:	2.22 PSF
WIND SPEED (ASCE 7-16):	117 Vmph		

SCALE: 1" = 5'

TEC Solar, PLLC
 8470 W Magna Main St Unit 311, Magna, UT 84044
 North Carolina Firm License P-3037

The mounting hardware is provided by manufacturer and is out of scope of this review. Structural observation or construction inspection will not be performed by TEC, Engineer-of-Record (EOR) nor their representatives.



BEAM SOLAR CO.
 1231 SHIELDS ROAD
 STE. 5
 KERNERSVILLE, NC 27284

SCOPE OF WORK:

TO INSTALL OF A 12 MODULE ROOF MOUNTED SOLAR PHOTOVOLTAIC SYSTEM AT THE OWNER RESIDENCE LOCATED AT 16 RAILWOOD CT THE POWER GENERATED BY THE PV SYSTEM WILL BE INTERCONNECTED WITH THE UTILITY GRID THROUGH THE EXISTING ELECTRICAL SERVICE EQUIPMENT. THE PV SYSTEM DOES NOT INCLUDE STORAGE BATTERIES.

EUELLE COE
 RESIDENCE
 16 RAILWOOD CT
 FUQUAY-VARINA, NC 27526
 (1252)722-2550
 MCCORMICKTLG@OUTLOOK.COM
 TMK: ----

DRAWN BY: XAM CONGE

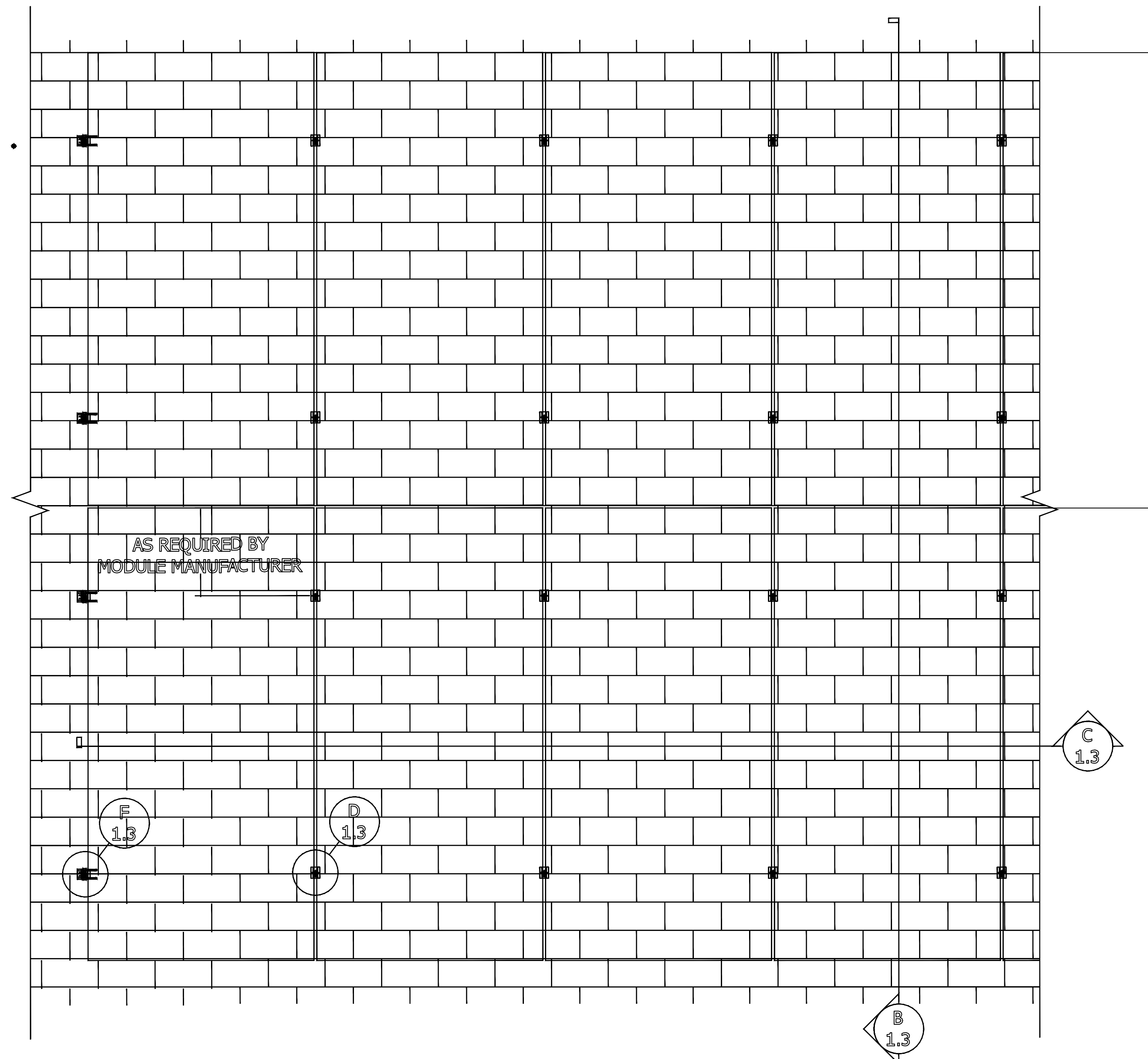
DATE: 2025-02-07

REVISION:

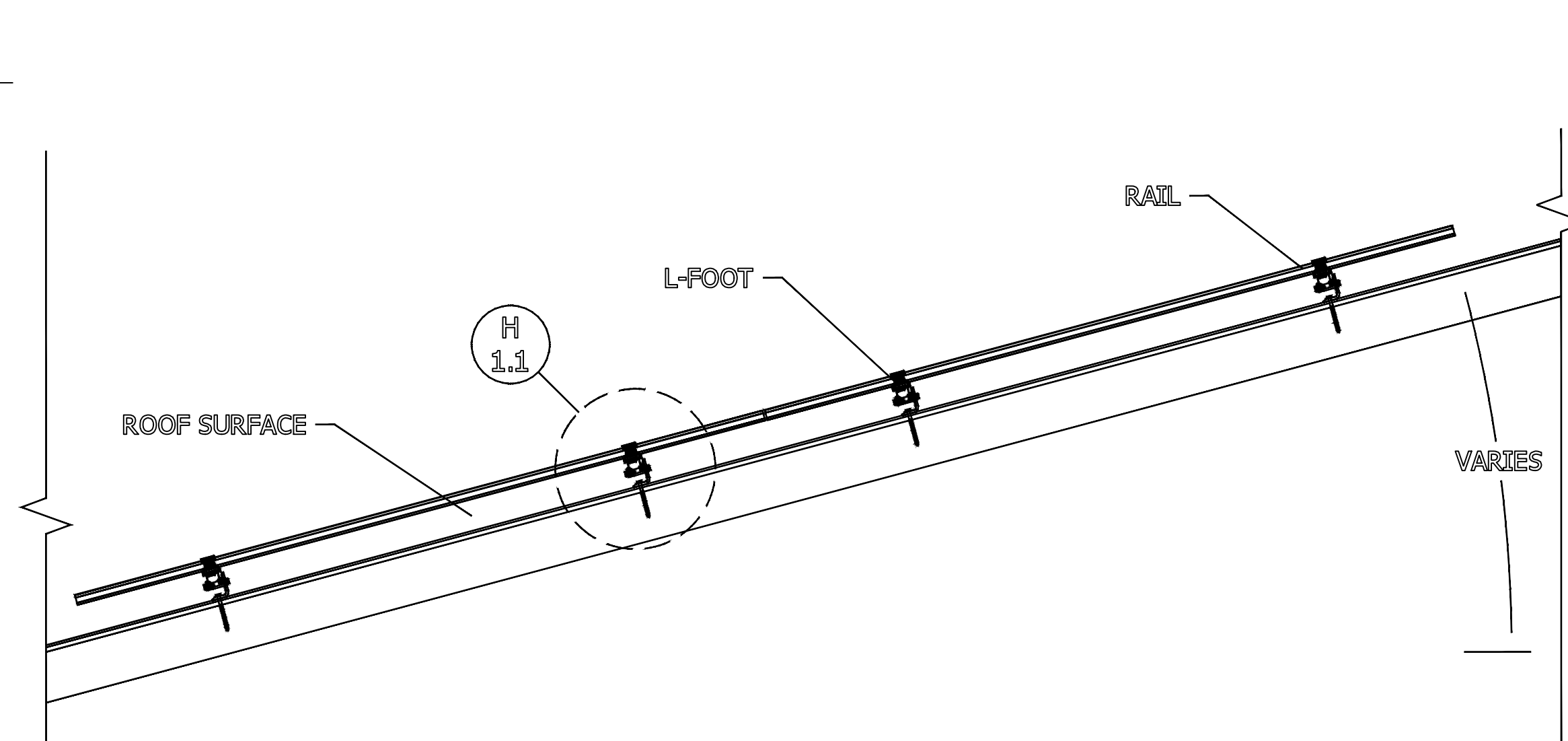
NO.	DESCRIPTION	DATE

DETAIL DRAWINGS

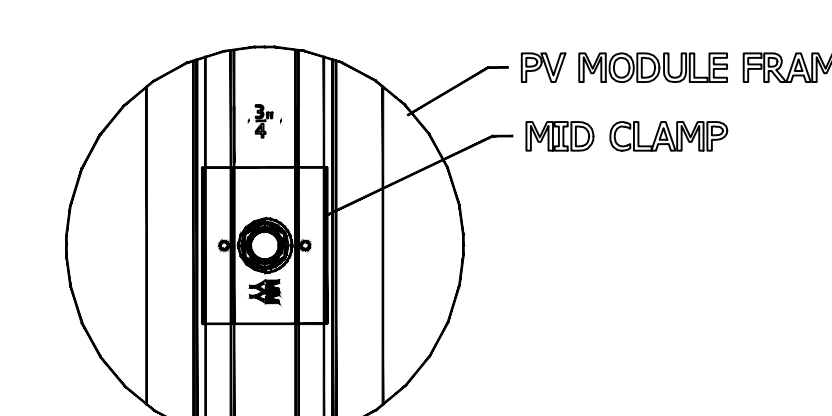
#####



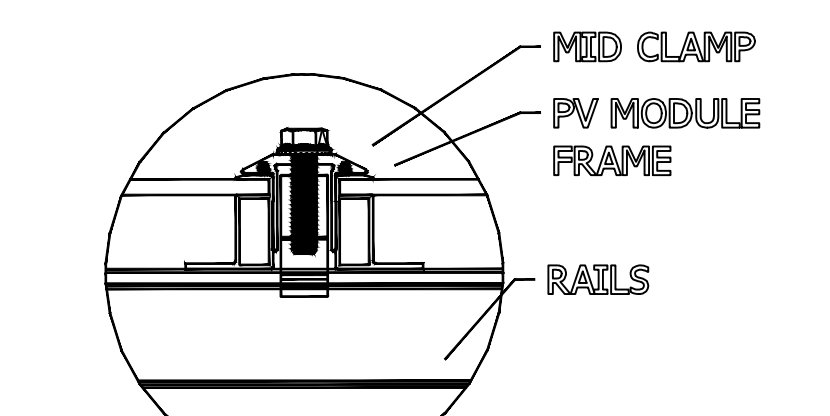
A PLAN VIEW, COMP ASSEMBLY, PORTRAIT MODULE
 Scale: 1"=1'-0"



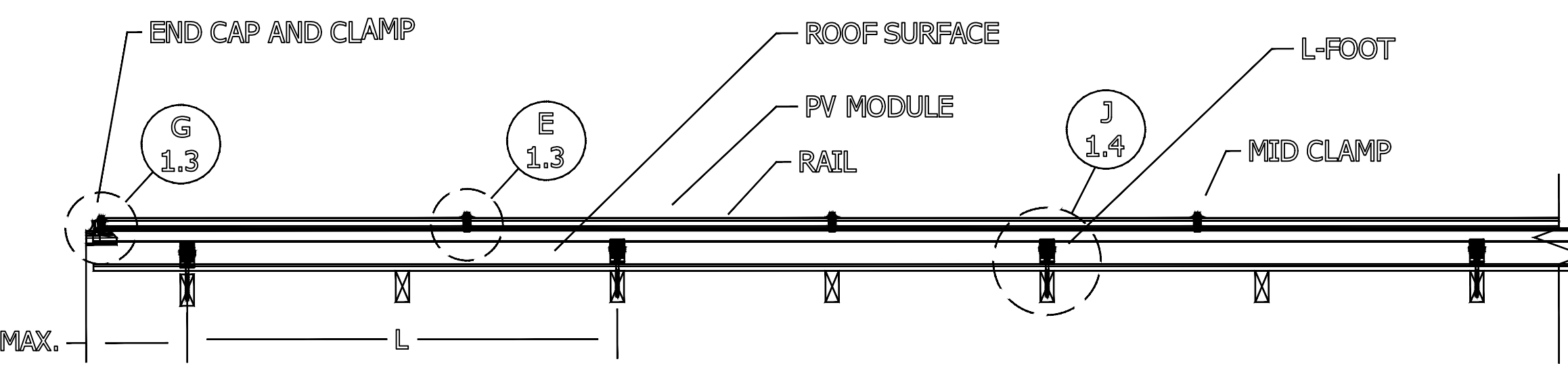
B SIDE VIEW, COMP ASSEMBLY, PORTRAIT MODULE
 Scale: 1"=1'-0"



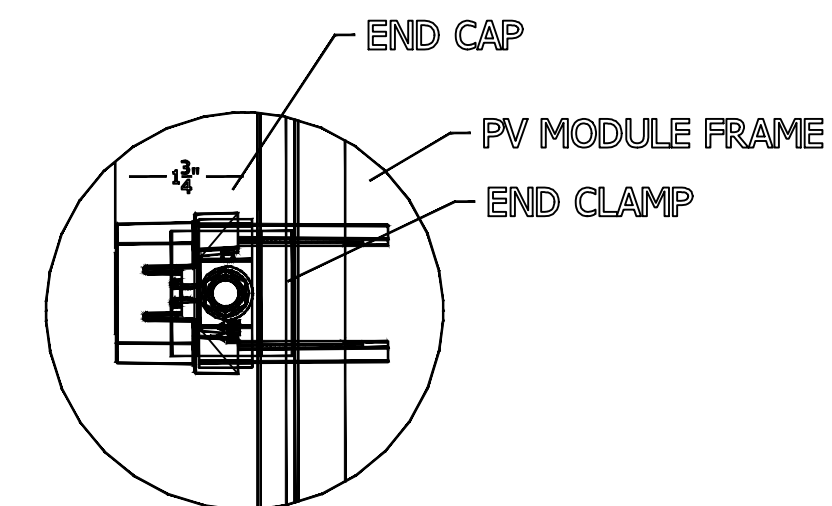
D DETAIL, MID CLAMP PLAN
 Scale: 6"=1'-0"



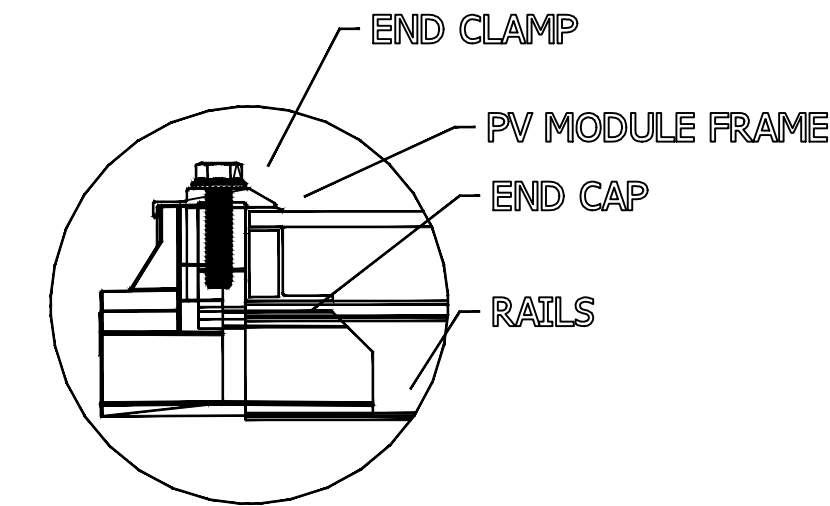
E DETAIL, MID CLAMP FRONT
 Scale: 6"=1'-0"



C FRONT VIEW, COMP ASSEMBLY, PORTRAIT MODULE
 Scale: 1"=1'-0"



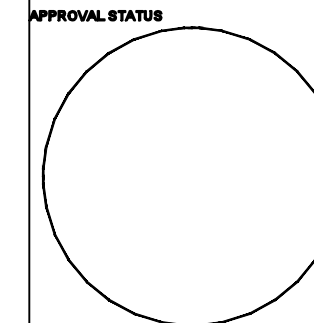
F DETAIL, END CAP AND CLAMP PLAN
 Scale: 6"=1'-0"



G DETAIL, END CAP AND CLAMP FRONT
 Scale: 6"=1'-0"

CLIENT NAME	ECOFASTEN
PROJECT NAME	SLOPED ROOF MOUNT SYSTEM
PROJECT ADDRESS	
SYSTEM KW/DC	

WIND SPEED, MPH	
SNOW LOAD, PSF	
EXPOSURE CAT	
RISK CAT	
MODULE TYPE	
MODULE W/DC	
MODULE CITY	

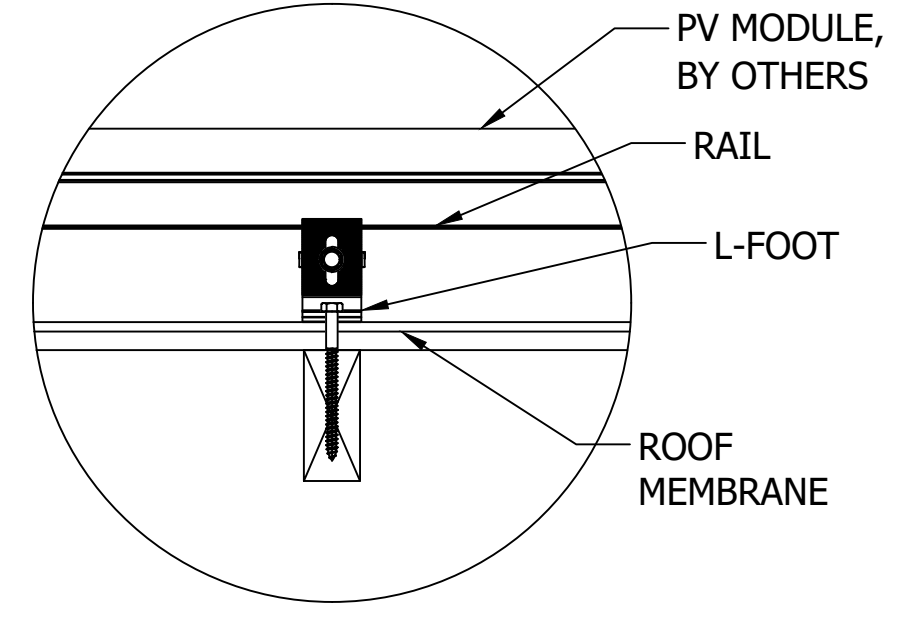
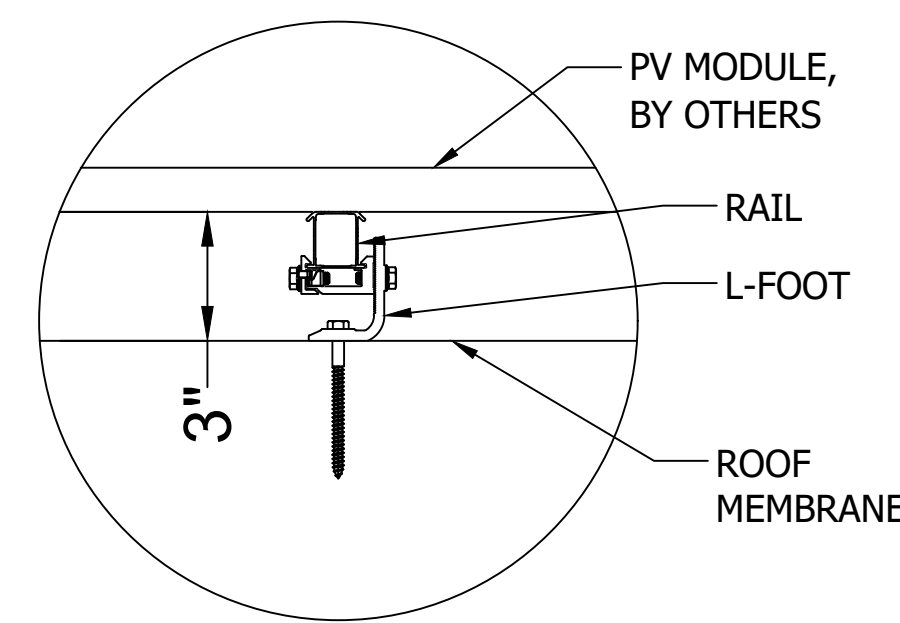
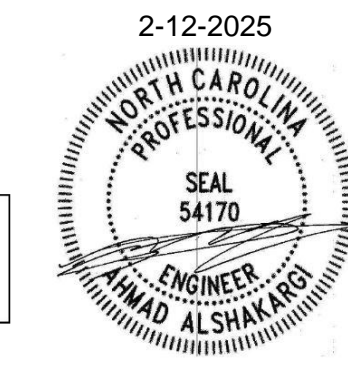


REV	DESCRIPTION	DATE

SHEET NAME
 SLOPED ROOF PV SYSTEM
 DETAILS: L-FOOT
 COMP
 ASSEMBLY -
 PORTRAIT
 JOB NO. 1.1 SR
 ISSUE DATE SEP 2021
 SHEET NO. ECO 1.3
 SHEET SIZE 24X36

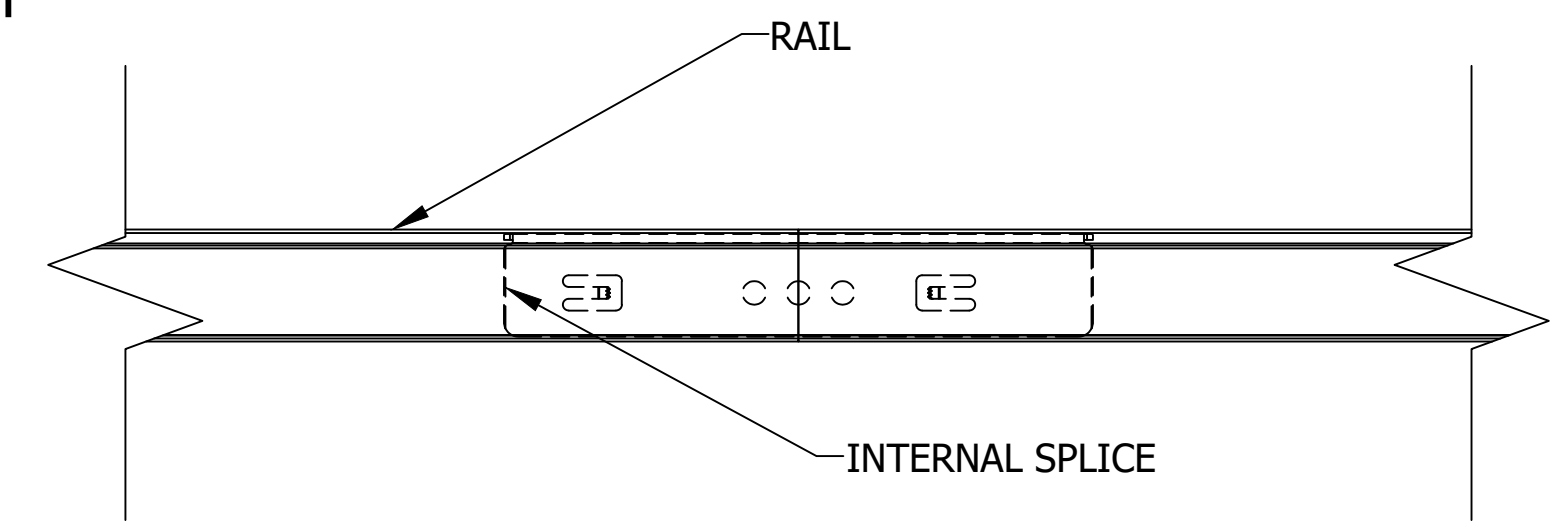
TEC Solar, PLLC
 8470 W Magna Main St Unit 311, Magna, UT 84044
 North Carolina Firm License P-3037

The mounting hardware is provided by manufacturer and is out of scope of this review. Structural observation or construction inspection will not be performed by TEC, Engineer-of-Record (EOR) nor their representatives.

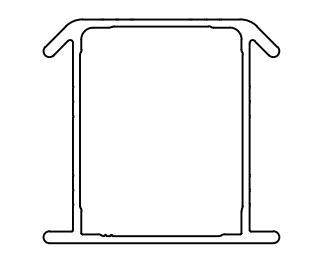


H SMART FOOT DETAIL SIDE
 Scale: 3"=1'-0"

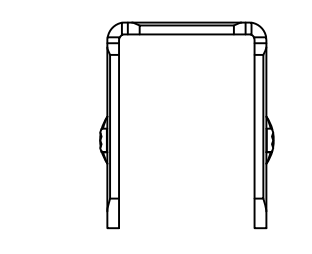
J SMART FOOT DETAIL FRONT
 Scale: 3"=1'-0"



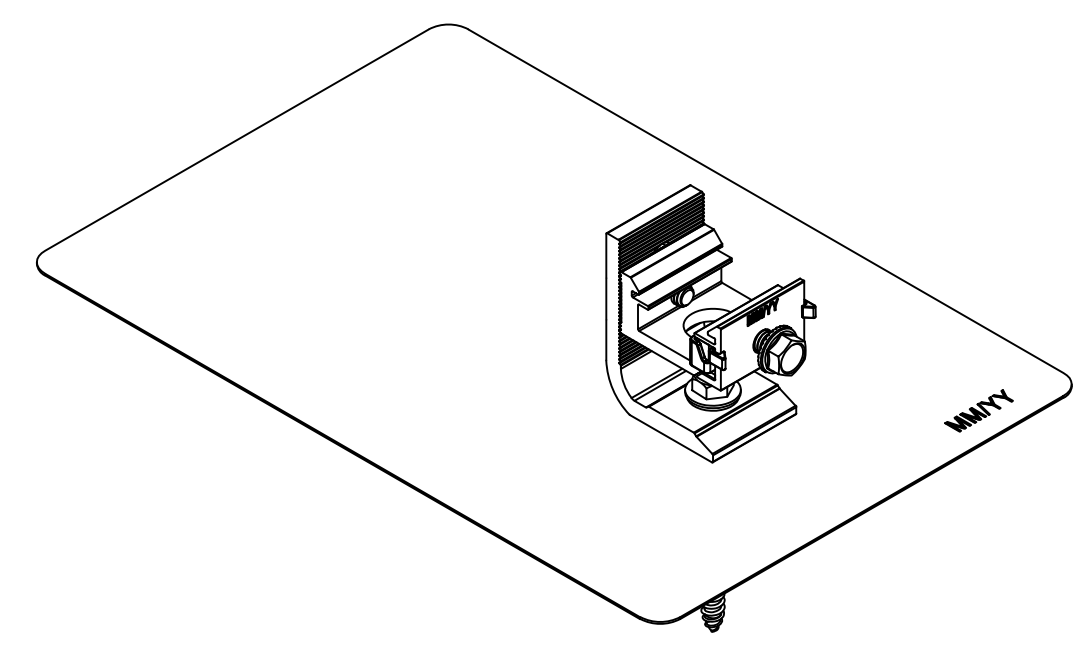
K DETAIL, SPLICE CONNECTION
 6"=1'-0"



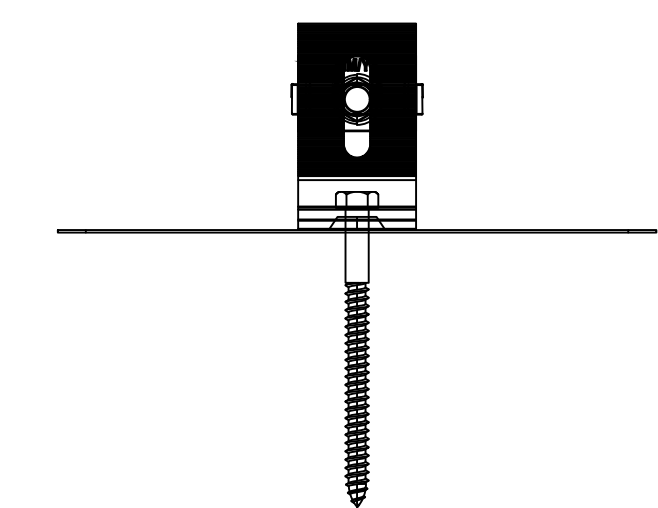
L DETAIL, RAIL
 1'-0"=1'-0"



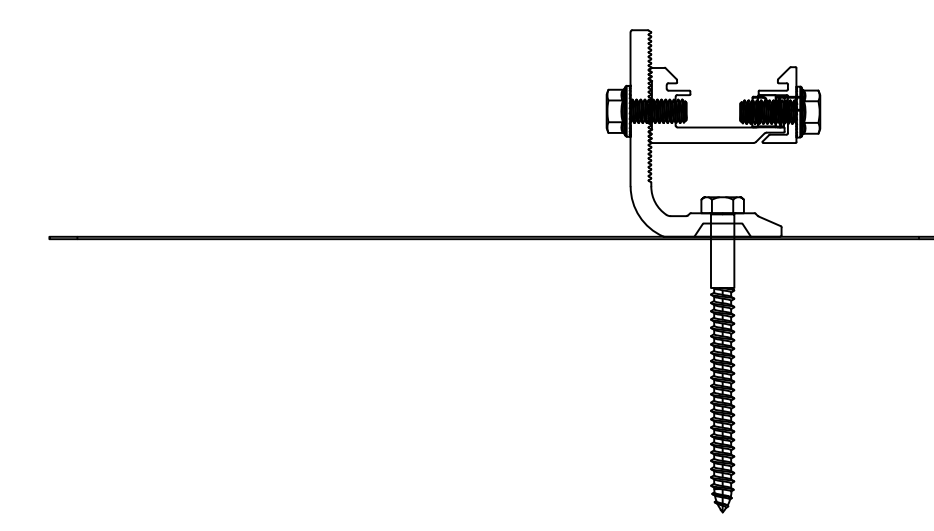
M DETAIL, SPLICE
 1'-0"=1'-0"



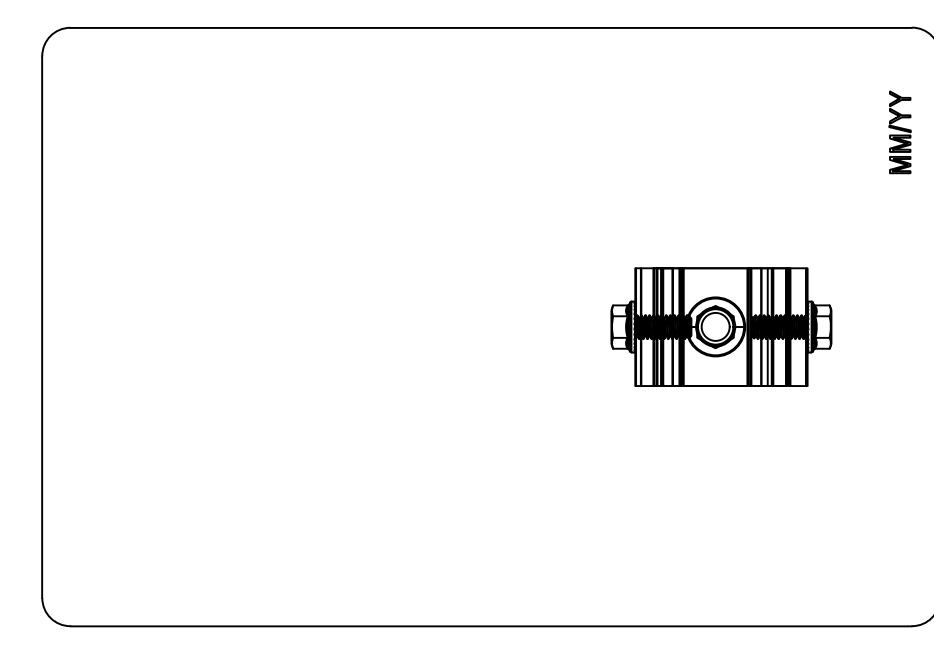
N ECOFASTEN SMART FOOT



O ECOFASTEN SMART FOOT, FRONT VIEW



P ECOFASTEN SMART FOOT, SIDE VIEW

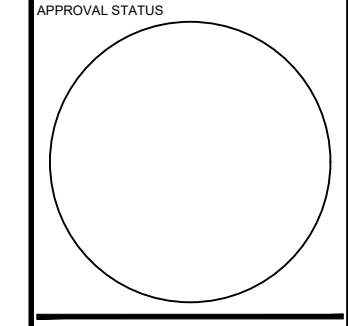


Q ECOFASTEN SMART FOOT, PLAN VIEW



CLIENT NAME	ECOFASTEN
PROJECT NAME	SLOPED ROOF MOUNT SYSTEM
PROJECT ADDRESS	
SYSTEM KW/DC	

WIND SPEED, MPH	
SNOW LOAD, PSF	
EXPOSURE CAT	
RISK CAT	
MODULE TYPE	
MODULE W/DC	
MODULE QTY	



REV	DESCRIPTION	DATE

SHEET NAME
 SLOPED ROOF PV SYSTEM
 DETAILS: L-FOOT
 DETAILS

JOB NO.	3,1 SR
ISSUE DATE	SEP 2021
SHEET NO.	ECO 1.4
SHEET SIZE	24X36



BEAM SOLAR CO.
 1231 SHIELDS ROAD
 STE. 5
 KERNERSVILLE, NC 27284

SCOPE OF WORK:
 TO INSTALL OF A 12 MODULE ROOF MOUNTED SOLAR PHOTOVOLTAIC SYSTEM AT THE OWNER RESIDENCE LOCATED AT 16 RAILWOOD CT THE POWER GENERATED BY THE PV SYSTEM WILL BE INTERCONNECTED WITH THE UTILITY GRID THROUGH THE EXISTING ELECTRICAL SERVICE EQUIPMENT. THE PV SYSTEM DOES NOT INCLUDE STORAGE BATTERIES.

EUELLE COE
 RESIDENCE
 16 RAILWOOD CT
 FUQUAY-VARINA, NC 27526
 (1252)722-2550
 MCCORMICKTLG@OUTLOOK.COM
 TMK: ----

DRAWN BY: XAM CONGE

DATE: 2025-02-07

REVISION:


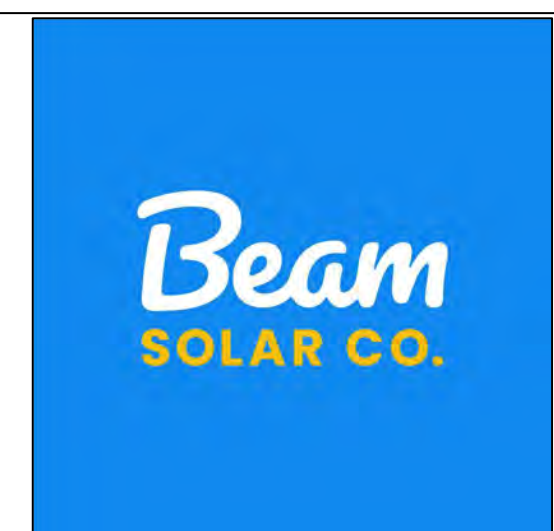
NO.	DESCRIPTION	DATE

DETAIL
 DRAWINGS

#####

CONDUCTOR SHCHEDULE															
ID	CONDUCTOR			CONDUIT	# OF PARALLEL CIRCUITS	CURRENT CARRYING CONDUCTORS IN CONDUIT	OCPD	EGC		TEMP. CORR. FACTOR	CONDUIT FILL FACTOR	BASE AMP.	DERATED AMP.	TERM. TEMP. RATING	
1	12 AWG	PV WIRE	COPPER	BARE	1	2	N/A	6 AWG	BARE COPPER	0.71	(56 °C)	N/A	N/A	90 °C	
2	10 AWG	THWN-2	COPPER	EMT	1	2	20A	8 AWG	THWN-2, COPPER	0.96	(34 °C)	1	40 A	38.4 A	90 °C
3	10 AWG	THWN-2	COPPER	EMT	1	3	20A	8 AWG	THWN-2, COPPER	0.96	(34 °C)	1	75 A	72 A	90 °C
4	6 AWG	THWN-2	COPPER	EMT	1	3	N/A	8 AWG	THWN-2, COPPER	0.96	(34 °C)	1	75 A	72 A	90 °C
5	6 AWG	THWN-2	COPPER	EMT	1	3	40A	8 AWG	THWN-2, COPPER	0.96	(34 °C)	1	40 A	38.4 A	90 °C
6	6 AWG	THWN-2	COPPER	EMT	1	3	100A	8 AWG	THWN-2, COPPER	0.96	(34 °C)	1	75 A	72 A	90 °C
7	2 AWG	THWN-2	COPPER	EMT	1	3	N/A	8 AWG	THWN-2, COPPER	0.96	(34 °C)	1	130 A	124.8 A	90 °C

2-12-2025
 TEC Solar, PLLC
 8470 W Magna Main St Unit 311, Magna, UT 84044
 North Carolina Firm License P-3037
 The mounting hardware is provided by manufacturer and is out of scope of this review. Structural observation or construction inspection will not be performed by TEC, Engineer-of-Record (EOR) nor their representatives.

BEAM SOLAR CO.
 1231 SHIELDS ROAD
 STE. 5
 KERNERSVILLE, NC 27284

SCOPE OF WORK:
 TO INSTALL OF A 12 MODULE ROOF MOUNTED SOLAR PHOTOVOLTAIC SYSTEM AT THE OWNER RESIDENCE LOCATED AT 16 RAILWOOD CT THE POWER GENERATED BY THE PV SYSTEM WILL BE INTERCONNECTED WITH THE UTILITY GRID THROUGH THE EXISTING ELECTRICAL SERVICE EQUIPMENT. THE PV SYSTEM DOES NOT INCLUDE STORAGE BATTERIES.

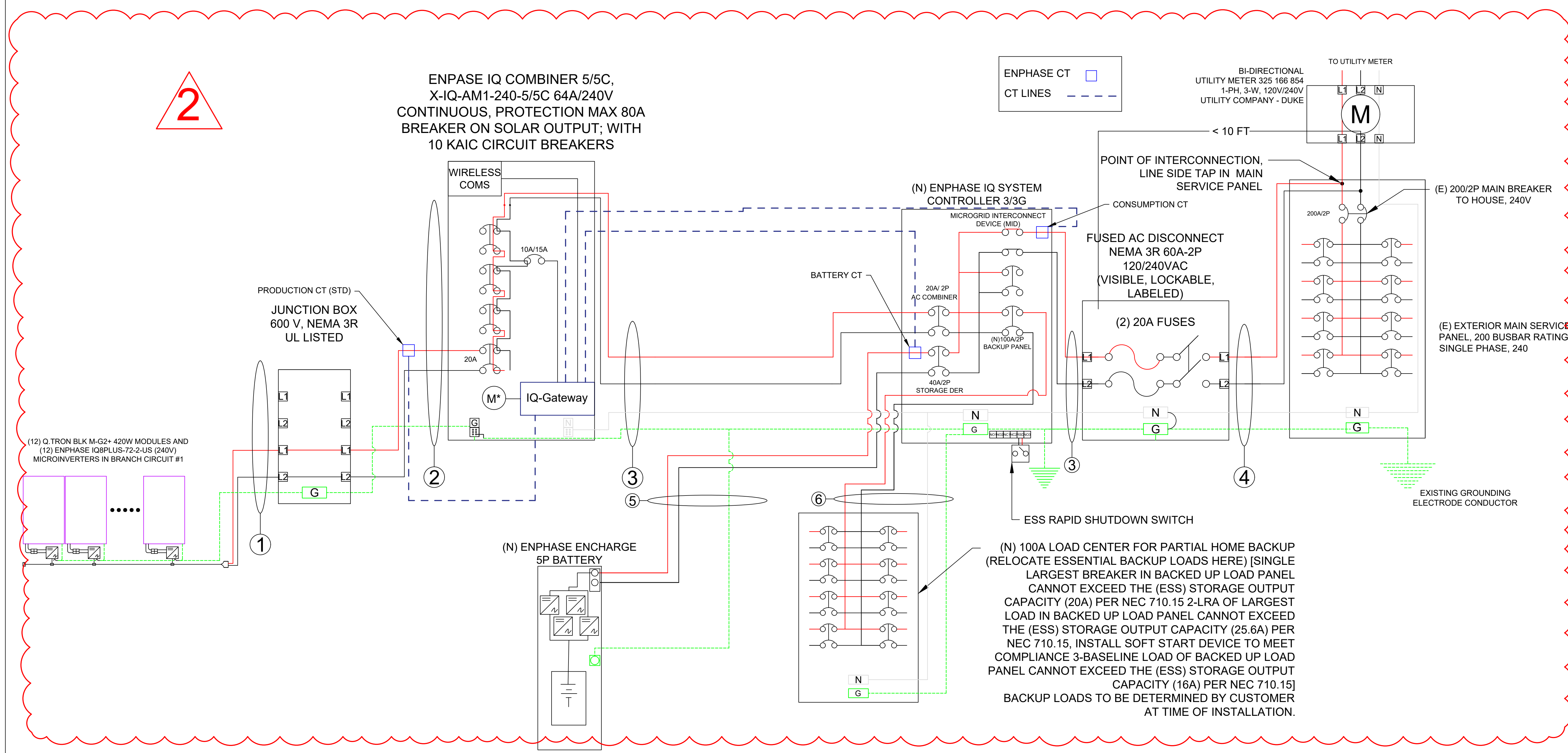
EUDELL COE RESIDENCE
 16 RAILWOOD CT
 FUQUAY-VARINA, NC 27526
 (1252)722-2550
 MCCORMICKTLG@OUTLOOK.COM
 TMK: ----

DRAWN BY: XAM CONGE
 DATE: 2025-02-07

REVISION:		
NO.	DESCRIPTION	DATE

3 LINE DIAGRAM

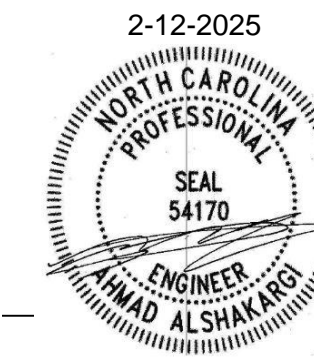
PV-600.00



SERVICE INFO.	
UTILITY PROVIDER:	DUKE
AHJ:	HARNETT COUNTY
MAIN SERVICE VOLTAGE:	240
MAIN BUSBAR:	200
MAIN BREAKER RATING:	200
MAIN SERVICE LOCATION:	SOUTH WEST
SERVICE FEED SOURCE:	UNDERGROUND

TEC Solar, PLLC
 8470 W Magna Main St Unit 311, Magna, UT 84044
 North Carolina Firm License P-3037

The mounting hardware is provided by manufacturer and is out of scope of this review. Structural observation or construction inspection will not be performed by TEC, Engineer-of-Record (EOR) nor their representatives.



SOLAR MODULE SPECIFICATIONS

MANUFACTURER/ MODEL	Q.TRON BLK M-G2+ 420W MODULES
VMP	32.54 V
IMP	12.91 A
VOC	38.75 V
ISC	13.58 A
TEMP. COEFF. VOC	-0.24 %/C°
MODULE DIMENSION	67.8" (L) x 44.65" (W)
PANEL WATTAGE	420 W

INVERTER SPECIFICATIONS

MANUFACTURER/ MODEL	ENPHASE IQ8PLUS-72-2-US (240V) MICROINVERTER
MAX DC SHORT CIRCUIT CURRENT	20 A
CONTINUOUS OUTPUT CURRENT	1.21 A (240 VAC)

AMBIENT TEMPERATURE SPECS

RECORD LOW TEMP	-12 °C
AMBIENT TEMP (HIGH TEMP 2%)	34 °C
CONDUIT HEIGHT	7/8"
ROOF TOP TEMP	56 °C
CONDUCTOR TEMPERATURE RATE	90 °C
MODULE TEMPERATURE COEFFICIENT OF VOC	-0.24 %/C°

ARRAY WEIGHT (DEAD LOAD CALCS)

NUMBER OF MODULES	12
MODULE WEIGHT	46.74 LBS
TOTAL MODULE (ARRAY) WEIGHT	560.88 LBS
NUMBER OF ATTACHMENT POINTS	50
MOUNTING SYSTEM WEIGHT (PER MODULE)	0 LBS
MOUNTING SYSTEM WEIGHT	0 LBS
WEIGHT AT EACH ATTACHMENT POINT (ARRAY WEIGHT / NUMBER OF ATTACHMENT POINT)	14.02 LBS
MODULE AREA (67.8" x 44.65")	21.02 SF
TOTAL ARRAY AREA	252.24 SF
DISTRIBUTED LOAD (TOTAL SYSTEM WEIGHT / TOTAL ARRAY AREA)	2.22 PSF
TOTAL ROOF AREA	2072.85 SF
TOTAL PERCENTAGE OF ROOF COVERED ((TOTAL ARRAY AREA / TOTAL ROOF AREA)*100)	12.17%



BEAM SOLAR CO.
 1231 SHIELDS ROAD
 STE. 5
 KERNERSVILLE, NC 27284

SCOPE OF WORK:

TO INSTALL OF A 12 MODULE ROOF MOUNTED SOLAR PHOTOVOLTAIC SYSTEM AT THE OWNER RESIDENCE LOCATED AT 16 RAILWOOD CT THE POWER GENERATED BY THE PV SYSTEM WILL BE INTERCONNECTED WITH THE UTILITY GRID THROUGH THE EXISTING ELECTRICAL SERVICE EQUIPMENT. THE PV SYSTEM DOES NOT INCLUDE STORAGE BATTERIES.

EUELLE COE
 RESIDENCE
 16 RAILWOOD CT
 FUQUAY-VARINA, NC 27526
 (1252)722-2550
 MCCORMICKTLG@OUTLOOK.COM
 TMK: ----

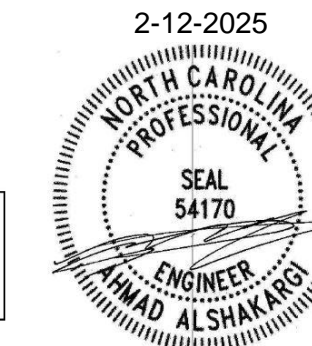
DRAWN BY: XAM CONGE

DATE: 2025-02-07

REVISION:		
NO.	DESCRIPTION	DATE

SPECS AND CALCS

#####



1 **WARNING**

ELECTRIC SHOCK HAZARD
DO NOT TOUCH TERMINALS
TERMINALS ON BOTH LINE AND
LOAD SIDES MAY BE ENERGIZED IN
THE OPEN POSITION

LABEL LOCATION:
POINT OF INTERCONNECTION,
(PER CODE: NEC 690.16(B))

2 **WARNING - Electric Shock Hazard**
No user serviceable parts inside
Contact authorized service provider for assistance

LABEL LOCATION:
INVERTER, JUNCTION BOXES (ROOF),
(PER CODE: NEC 690.13.G.3 & NEC
690.13.G.4)

3 **WARNING: DUAL POWER SOURCE**
DUAL POWER SOURCE

LABEL LOCATION:
POINT OF INTERCONNECTION
(PER CODE: NEC 705.15(C) & NEC 690.59)

4 **WARNING: PHOTOVOLTAIC
POWER SOURCE**

LABEL LOCATION:
CONDUIT, COMBINER BOX
(PER CODE: NEC 690.31(2))

ADHESIVE FASTENED SIGNS:

- THE LABEL SHALL BE SUITABLE FOR THE ENVIRONMENT WHERE IT IS INSTALLED
- WHERE REQUIRED ELSEWHERE IN THIS CODE, ALL FIELD APPLIED LABELS, WARNINGS, AND MARKINGS SHOULD COMPLY WITH ANSI Z535.4 [NEC 110.21(B) FIELD MARKING].
- ADHESIVE FASTENED SIGNS MAY BE ACCEPTABLE IF PROPERLY ADHERED. VINYL SIGNS SHALL BE WEATHER RESISTANT [IFC 605.11.1.3]

5 **PHOTOVOLTAIC SYSTEM AC DISCONNECT**
RATED AC OUTPUT CURRENT 14.52 AMPS
NOMINAL OPERATING AC VOLTAGE 240 VOLTS

LABEL LOCATION:
POINT OF INTERCONNECTION,
(PER CODE: NEC 690.54)

6 **WARNING**
INVERTER OUTPUT CONNECTION DO NOT
RELOCATE THIS OVERCURRENT DEVICE

LABEL LOCATION:
POINT OF INTERCONNECTION,
(PER CODE: NEC 705.12(B)(3)(2))
[Not required if panelboard is rated not less than sum of ampere ratings
of all overcurrent devices supplying it]

7 **CAUTION: SOLAR ELECTRIC
SYSTEM CONNECTED**

LABEL LOCATION:
POINT OF INTERCONNECTION,
(PER CODE: NEC 690.15, 690.13(B))
INVERTER

8 **SOLAR PV SYSTEM EQUIPED
WITH RAPID SHUTDOWN**

TURN RAPID SHUTDOWN
SWITCH TO THE "OFF"
POSITION TO SHUT DOWN
PV SYSTEM AND REDUCE
SHOCK HAZARD IN THE
ARRAY

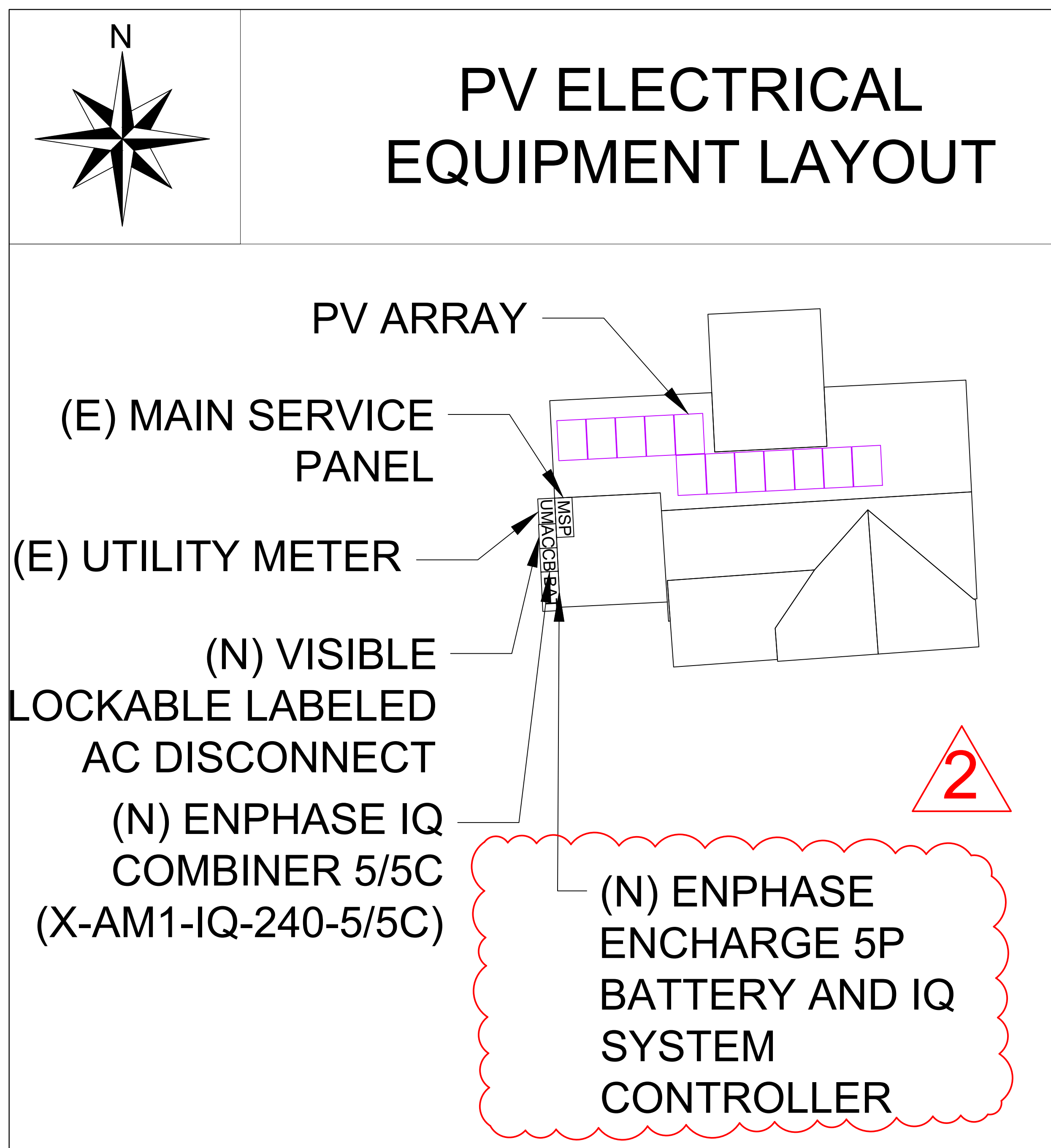
LABEL LOCATION:
LABEL PER NEC 690.56(C)- PROVIDE
AT AC DISCONNECT FOR RAPID
SHUTDOWN COMPLIANT SYSTEM

9 **CAUTION: SOLAR CIRCUIT**

LABEL LOCATION:
MARKINGS PLACED ON ALL INTERIOR AND EXTERIOR DC
CONDUIT, RACEWAYS, ENCLOSURES, AND CABLE ASSEMBLIES AT
LEAST EVERY 10 FT, AT TURNS AND ABOVE/BELOW
PENETRATIONS AND ALL COMBINER/JUNCTION BOXES. (PER CODE:
IFC 605.11.1.4)

10 **CAUTION**
POWER TO THIS SERVICE IS
ALSO SUPPLIED FROM
ON-SITE SOLAR/ WIND
GENERATION
AC SYSTEM DISCONNECT

11 **CAUTION**
ALTERNATE POWER SUPPLY
AC SYSTEM DISCONNECT



BEAM SOLAR CO.
1231 SHIELDS ROAD
STE. 5
KERNERSVILLE, NC 27284

SCOPE OF WORK:

TO INSTALL OF A 12 MODULE ROOF MOUNTED SOLAR PHOTOVOLTAIC SYSTEM AT THE OWNER RESIDENCE LOCATED AT 16 RAILWOOD CT THE POWER GENERATED BY THE PV SYSTEM WILL BE INTERCONNECTED WITH THE UTILITY GRID THROUGH THE EXISTING ELECTRICAL SERVICE EQUIPMENT. THE PV SYSTEM DOES NOT INCLUDE STORAGE BATTERIES.

EUDELL COE
RESIDENCE
16 RAILWOOD CT
FUQUAY-VARINA, NC 27526
(1252)722-2550
MCCORMICKTLG@OUTLOOK.COM
TMK: ----

DRAWN BY: XAM CONGE
DATE: 2025-02-07

REVISION:

NO.	DESCRIPTION	DATE

WARNING LABELS

PV-800.00

Q.TRON BLK M-G2+ SERIES



415-440 Wp | 108 Cells
22.5% Maximum Module Efficiency

MODEL Q.TRON BLK M-G2+



High performance Qcells N-type solar cells

Q.ANTUM NEO Technology with optimized module layout boosts module efficiency up to 22.5%.



A reliable investment

Inclusive 25-year product warranty and 25-year linear performance warranty¹.



Enduring high performance

Long-term yield security with Anti LeTID Technology, Anti PID Technology², Hot-Spot Protect.



Extreme weather rating

High-tech aluminium alloy frame, certified for high snow (8100 Pa) and wind loads (3600 Pa).



Innovative all-weather technology

Optimal yields, whatever the weather with excellent low-light and temperature behaviour.



The most thorough testing programme in the industry

Qcells is the first solar module manufacturer to pass the most comprehensive quality programme in the industry. The new "Quality Controlled PV" of the independent certification institute TÜV Rheinland.

¹ See data sheet on rear for further information.
² APT test conditions according to IEC/TS 62804-1:2015, method A (-1500V, 96h)

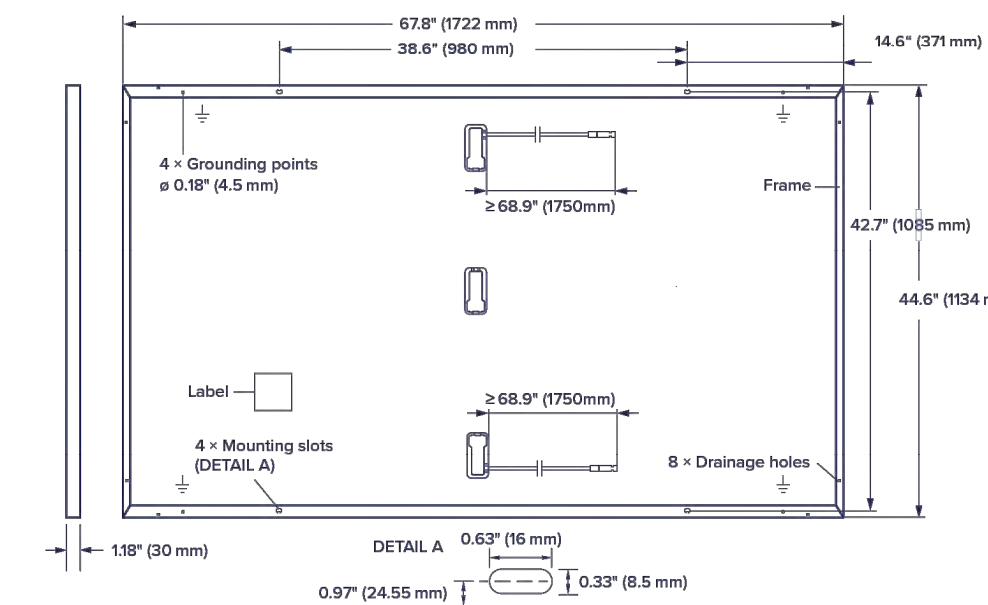
The ideal solution for:
Rooftop arrays on residential buildings



Q.TRON BLK M-G2+ SERIES

Mechanical Specification

Format	67.8 in × 44.6 in × 1.18 in (including frame) (1722 mm × 1134 mm × 30 mm)
Weight	46.7 lbs (21.2 kg)
Front Cover	0.13 in (3.2 mm) thermally pre-stressed glass with anti-reflection technology
Back Cover	Composite film
Frame	Black anodised aluminium
Cell	6 × 18 monocrystalline Q.ANTUM NEO solar half cells
Junction box	2.09-3.98 in × 1.26-2.36 in × 0.59-0.71 in (53-101 mm × 32-60 mm × 15-18 mm), Protection class IP67, with bypass diodes
Cable	4 mm ² Solar cable; (+) ≥ 68.9 in (1750 mm), (-) ≥ 68.9 in (1750 mm)
Connector	Stäubli MC4; IP68



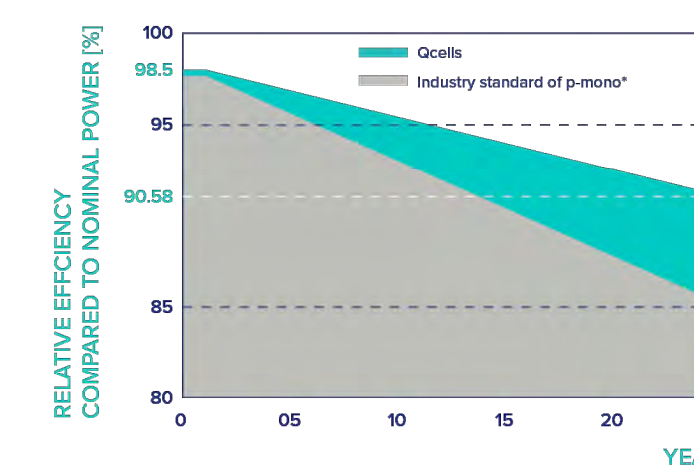
Electrical Characteristics

POWER CLASS		415	420	425	430	435	440
MINIMUM PERFORMANCE AT STANDARD TEST CONDITIONS, STC ¹ (POWER TOLERANCE +5W/-0W)							
Power at MPP ¹	P _{MPP} [W]	415	420	425	430	435	440
Short Circuit Current ¹	I _{SC} [A]	13.49	13.58	13.66	13.74	13.82	13.90
Open Circuit Voltage ¹	V _{OC} [V]	38.47	38.75	39.03	39.32	39.60	39.88
Current at MPP	I _{MPP} [A]	12.83	12.91	12.98	13.05	13.13	13.20
Voltage at MPP	V _{MPP} [V]	32.34	32.54	32.74	32.94	33.14	33.33
Efficiency ¹	η [%]	≥21.3	≥21.5	≥21.8	≥22.0	≥22.3	≥22.5

MINIMUM PERFORMANCE AT NORMAL OPERATING CONDITIONS, NMOT ²							
Power at MPP	P _{MPP} [W]	313.7	317.5	321.2	325.0	328.8	332.6
Short Circuit Current	I _{SC} [A]	10.87	10.94	11.00	11.07	11.14	11.20
Open Circuit Voltage	V _{OC} [V]	36.50	36.77	37.04	37.31	37.58	37.84
Current at MPP	I _{MPP} [A]	10.10	10.15	10.21	10.27	10.33	10.38
Voltage at MPP	V _{MPP} [V]	31.07	31.26	31.46	31.65	31.84	32.03

¹Measurement tolerances P_{MPP} ±3%; I_{SC} V_{OC} ±5% at STC; 1000 W/m², 25 ± 2 °C, AM 1.5 according to IEC 60904-3 • ²800 W/m², NMOT, spectrum AM 1.5

Qcells PERFORMANCE WARRANTY

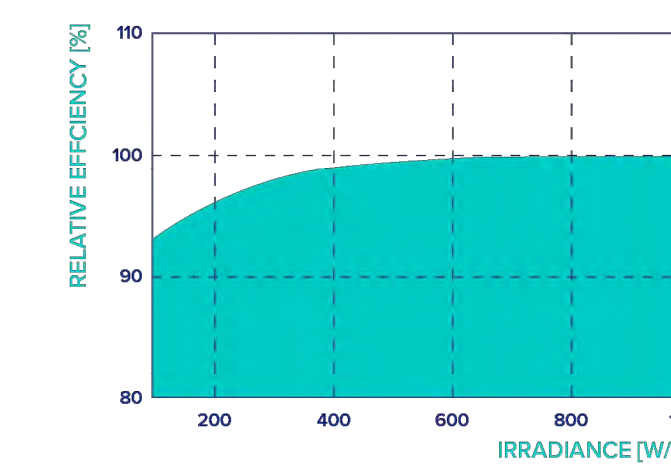


At least 98.5% of nominal power during first year. Thereafter max. 0.33% degradation per year. At least 95.53% of nominal power up to 10 years. At least 90.58% of nominal power up to 25 years.

All data within measurement tolerances. Full warranties in accordance with the warranty terms of the Qcells sales organisation of your respective country.

^{*}Standard terms of guarantee for the 5 PV companies with the highest production capacity in 2021 (February 2021)

PERFORMANCE AT LOW IRRADIANCE



Typical module performance under low irradiance conditions in comparison to STC conditions (25 °C, 1000 W/m²).

TEMPERATURE COEFFICIENTS

Temperature Coefficient of I _{SC}	α [%/K]	+0.04	Temperature Coefficient of V _{OC}	β [%/K]	-0.24
Temperature Coefficient of P _{MPP}	γ [%/K]	-0.30	Nominal Module Operating Temperature	NMOT [°F]	109 ± 5.4 (43 ± 3 °C)

Properties for System Design

Maximum System Voltage	V _{sys} [V]	1000 (IEC)/1000 (UL)	PV module classification	Class II
Maximum Series Fuse Rating	[A DC]	25	Fire Rating based on ANSI/UL 61730	C / TYPE 2
Max. Design Load, Push/Pull ³	[lbs / ft ²]	113 (5400 Pa)/50 (2400 Pa)	Permitted Module Temperature on Continuous Duty	-40 °F up to +185 °F (-40 °C up to +85 °C)
Max. Test Load, Push/Pull ³	[lbs / ft ²]	169 (8100 Pa)/75 (3600 Pa)		

³ See Installation Manual

Qualifications and Certificates

UL61730-1 & UL61730-2, CE-compliant, Quality Controlled PV - TÜV Rheinland, IEC 61215:2016, IEC 61730:2016, U.S. Patent No. 9,893,215 (solar cells).



^{*}Contact your Qcells Sales Representative for details regarding the module's eligibility to be Buy American Act (BAA) compliant.

Qcells pursues minimizing paper output in consideration of the global environment.

Note: Installation instructions must be followed. Contact our technical service for further information on approved installation of this product.
Hanwha Q CELLS America Inc. 300 Spectrum Center Drive, Suite 500, Irvine, CA 92618, USA | TEL: +1 949 748 59 96 | EMAIL: na.support@qcells.com | WEB: www.qcells.com/us



Find product meeting needs at QR code above



BEAM SOLAR CO.
1231 SHIELDS ROAD
STE. 5
KERNERSVILLE, NC 27284

SCOPE OF WORK:

TO INSTALL OF A 12 MODULE ROOF MOUNTED SOLAR PHOTOVOLTAIC SYSTEM AT THE OWNER RESIDENCE LOCATED AT 16 RAILWOOD CT THE POWER GENERATED BY THE PV SYSTEM WILL BE INTERCONNECTED WITH THE UTILITY GRID THROUGH THE EXISTING ELECTRICAL SERVICE EQUIPMENT. THE PV SYSTEM DOES NOT INCLUDE STORAGE BATTERIES.

EUDELL COE
RESIDENCE
16 RAILWOOD CT
FUQUAY-VARINA, NC 27526
(1252)722-2550
MCCORMICKTLG@OUTLOOK.COM
TMK: ----

DRAWN BY: XAM CONGE

DATE: 2025-02-07

REVISION:

NO.	DESCRIPTION	DATE

DATA SHEETS

MSD



IQ8 and IQ8+ Microinverters

Our newest IQ8 Microinverters are the industry's first microgrid-forming, software defined microinverters with split-phase power conversion capability to convert DC power to AC power efficiently. The brain of the semiconductor-based microinverter is our proprietary application specific integrated circuit (ASIC) which enables the microinverter to operate in grid-tied or off-grid modes. This chip is built in advanced 55nm technology with high speed digital logic and has superfast response times to changing loads and grid events, alleviating constraints on battery sizing for home energy systems.



Part of the Enphase Energy System, IQ8 Series Microinverters integrate with the IQ Battery, IQ Gateway, and the Enphase App monitoring and analysis software.



IQ8 Series Microinverters redefine reliability standards with more than one million cumulative hours of power-on testing, enabling an industry-leading limited warranty of up to 25 years.



Connect PV modules quickly and easily to IQ8 Series Microinverters using the included Q-DCC-2 adapter cable with plug-n-play MC4 connectors.



IQ8 Series Microinverters are UL listed as PV Rapid Shutdown Equipment and conform with various regulations, when installed according to manufacturer's instructions.

Easy to install

- Lightweight and compact with plug-n-play connectors
- Power Line Communication (PLC) between components
- Faster installation with simple two-wire cabling

High productivity and reliability

- Produce power even when the grid is down*
- More than one million cumulative hours of testing
- Class II double-insulated enclosure
- Optimized for the latest high-powered PV modules

Microgrid-forming

- Complies with the latest advanced grid support**
- Remote automatic updates for the latest grid requirements
- Configurable to support a wide range of grid profiles
- Meets CA Rule 21 (UL 1741-SA) and IEEE 1547:2018 (UL 1741-SB)

Note:

IQ8 Microinverters cannot be mixed together with previous generations of Enphase microinverters (IQ7 Series, IQ6 Series, etc) in the same system.

*Only when installed with IQ System Controller 2, meets UL 1741.

**IQ8 and IQ8Plus support split-phase, 240V installations only.

IQ8 and IQ8+ Microinverters

INPUT DATA (DC)		108-60-2-US	108PLUS-72-2-US
Commonly used module pairings ¹	W	235 – 350	235 – 440
Module compatibility		60-cell / 120 half-cell	54-cell / 108 half-cell, 60-cell / 120 half-cell, 66-cell / 132 half-cell and 72-cell / 144 half-cell
MPPT voltage range	V	27 – 37	27 – 45
Operating range	V	16 – 48	16 – 58
Min. / Max. start voltage	V	22 / 48	22 / 58
Max. input DC voltage	V	50	60
Max. continuous input DC current	A	10	12
Max. input DC short-circuit current	A		25
Max. module I _{sc}	A		20
Overvoltage class DC port			II
DC port backfeed current	mA		0
PV array configuration		1 x 1 Ungrounded array; No additional DC side protection required; AC side protection requires max 20A per branch circuit	
OUTPUT DATA (AC)		108-60-2-US	108PLUS-72-2-US
Peak output power	VA	245	300
Max. continuous output power	VA	240	290
Nominal (L-L) voltage / range ²	V	240 / 211 – 264	
Max. continuous output current	A	1.0	1.21
Nominal frequency	Hz	60	
Extended frequency range	Hz	47 – 68	
AC short circuit fault current over 3 cycles	Arms	2	
Max. units per 20 A (L-L) branch circuit ³		16	13
Total harmonic distortion		<5%	
Overvoltage class AC port		III	
AC port backfeed current	mA	30	
Power factor setting		1.0	
Grid-tied power factor (adjustable)		0.85 leading – 0.85 lagging	
Peak efficiency	%	97.7	
CEC weighted efficiency	%	97	
Night-time power consumption	mW	60	
MECHANICAL DATA			
Ambient temperature range		-40°C to +60°C (-40°F to +140°F)	
Relative humidity range		4% to 100% (condensing)	
DC Connector type		MC4	
Dimensions (H x W x D)		212 mm (8.3") x 175 mm (6.9") x 30.2 mm (1.2")	
Weight		1.08 kg (2.38 lbs)	
Cooling		Natural convection – no fans	
Approved for wet locations		Yes	
Pollution degree		PD3	
Enclosure		Class II double-insulated, corrosion resistant polymeric enclosure	
Environ. category / UV exposure rating		NEMA Type 6 / outdoor	
COMPLIANCE			
Certifications		CA Rule 21 (UL 1741-SA), UL 62109-1, IEEE 1547:2018 (UL 1741-SB), FCC Part 15 Class B, ICES-0003 Class B, CAN / CSA-C22.2 NO.107.1-01 This product is UL Listed as PV Rapid Shutdown Equipment and conforms with NEC 2014, NEC 2017, and NEC 2020 section 690.12 and C22.1-2018 Rule 64-218 Rapid Shutdown of PV Systems, for AC and DC conductors, when installed according to manufacturer's instructions.	

(1) Pairing PV modules with wattage above the limit may result in additional clipping losses. See the compatibility calculator at <https://link.enphase.com/module-compatibility>. (2) Nominal voltage range can be extended beyond nominal if required by the utility. (3) Limits may vary. Refer to local requirements to define the number of microinverters per branch in your area.



BEAM SOLAR CO.
1231 SHIELDS ROAD
STE. 5
KERNERSVILLE, NC 27284

SCOPE OF WORK:

TO INSTALL OF A 12 MODULE ROOF MOUNTED SOLAR PHOTOVOLTAIC SYSTEM AT THE OWNER RESIDENCE LOCATED AT 16 RAILWOOD CT THE POWER GENERATED BY THE PV SYSTEM WILL BE INTERCONNECTED WITH THE UTILITY GRID THROUGH THE EXISTING ELECTRICAL SERVICE EQUIPMENT. THE PV SYSTEM DOES NOT INCLUDE STORAGE BATTERIES.

EUELL COE
RESIDENCE
16 RAILWOOD CT
FUQUAY-VARINA, NC 27526
(1252)722-2550
MCCORMICKTLG@OUTLOOK.COM
TMK: ----

DRAWN BY: XAM CONGE

DATE: 2025-02-07

REVISION:

NO.	DESCRIPTION	DATE

DATA SHEETS

MSD



X-IQ-AMI-240-5
X-IQ-AMI-240-5C

IQ Combiner 5/5C

The IQ Combiner 5/5C consolidates interconnection equipment into a single enclosure and streamlines IQ Series Microinverters and IQ Gateway installation by providing a consistent, pre-wired solution for residential applications. IQ Combiner 5/5C uses wired control communication and is compatible with IQ System Controller 3/3G and IQ Battery 5P.

The IQ Combiner 5/5C, along with IQ Series Microinverters, IQ System Controller 3/3G, and IQ Battery 5P provides you with a complete grid-agnostic Enphase Energy System.



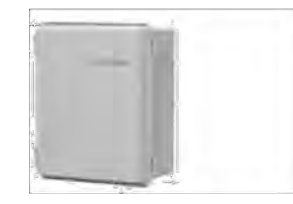
IQ Series Microinverters
The high-powered smart grid-ready IQ Series Microinverters (IQ6, IQ7, and IQ8 Series) dramatically simplify the installation process.



IQ System Controller 3/3G
Provides microgrid interconnection device (MID) functionality by automatically detecting grid failures and seamlessly transitioning the home energy system from grid power to backup power.



IQ Battery 5P
Fully integrated AC battery system. Includes six field-replaceable IQBD-BAT Microinverters.



IQ Load Controller
Helps prioritize essential appliances during a grid outage to optimize energy consumption and prolong battery life.



© 2023 Enphase Energy. All rights reserved. Enphase, the e and CC logos, IQ, and certain other marks listed at <https://enphase.com/trademark-usage-guidelines> are trademarks of Enphase Energy, Inc. in the US and other countries. Data subject to change.

IQC-5-5C-DSH-00007-2.0-EN-US-2023-09-27

MECHANICAL DATA	
Dimensions (WxHxD)	37.0 cm x 49.5 cm x 16.8 cm (14.7" x 19.5" x 6.6") Height is 21.0" (53.3 cm) with mounting brackets
Weight	7.5 kg (16.5 lbs)
Ambient temperature range	-40°C to 40°C (-40°F to 105°F)
Cooling	Natural convection, plus heat shield
Enclosure environmental rating	Outdoor, NRTL-certified, NEMA type 3R, polycarbonate construction
Wire sizes	<ul style="list-style-type: none"> 20 A to 50 A breaker inputs: 14 to 4 AWG copper conductors 60 A breaker branch input: 4 to 1/2 AWG copper conductors Main lug combined output: 10 to 2 1/2 AWG copper conductors Neutral and ground: 14 to 1/2 copper conductors Always follow local code requirements for conductor sizing
Communication (in-premise connectivity)	Built-in CTRL board for wired communication with IQ Battery 5P and IQ System Controller 3/3G. Integrated Power Line Communication for IQ Series Microinverters
Altitude	Up to 2,600 meters (8,530 feet)
COMMUNICATION INTERFACES	
Integrated Wi-Fi	802.11b/g/n (dual band 2.4 GHz/5 GHz), for connecting the Enphase cloud via the internet
Wi-Fi range (recommended)	10 m
Bluetooth	BLE4.2, 10 m range to configure Wi-Fi SSID
Ethernet	Optional, 802.3, Cat5E (or Cat 6) UTP Ethernet cable (not included), for connecting to the Enphase Cloud via the internet
Mobile Connect	CELLMODEM-MI-06-SP-05 or CELLMODEM-MI-06-AT-05 (Included with IQ Combiner 5C)
Digital I/O	Digital input/output for grid operator control
USB 2.0	For Mobile Connect
Access point (API) mode	For connection between the IQ Gateway and a mobile device running the Enphase Installer App
Metering ports	Up to two Consumption CTs, one IQ Battery CT, and one Production CT
Power line communication	90-110 kHz
Web API	Refer to https://developer.v4.enphase.com
Local API	Refer to guide for local API
COMPLIANCE	
IQ Combiner	UL 1741, CAN/CSA C22.2 No. 107.1, Title 47 CFR, Part 15, Class B, ICES 003
IQ Gateway	UL 60961-1/CAN/CSA 22.2 No. 61010-1, IEEE 1547, 2018 (UL 1741-58, 3 rd Ed.) IEEE 2030.5/CSIP Compliant Production metering: ANSI C12.20 accuracy class 0.5 (PV production)
COMPATIBILITY	
IQ System Controller 3/3G	SC2000RMC240V30L, SC2000RMC240V30R
IQ Battery 5P	IQBATTERY-5P-IP-NA
Microinverter	IQ6, IQ7, and IQ8 Series Microinverters

IQC-5-5C-DSH-00007-2.0-EN-US-2023-09-27

IQ Combiner 5/5C

MODEL NUMBER	DESCRIPTION
IQ Combiner 5 (X-IQ-AMI-240-5)	IQ Combiner 5 with IQ Gateway printed circuit board for integrated revenue grade PV production metering (ANSI C12.20 0.5%), consumption monitoring (± 2.5%) and IQ Battery monitoring (± 2.5%). Includes a silver solar shield to deflect heat.
IQ Combiner 5C (X-IQ-AMI-240-5C)	IQ Combiner 5C with IQ Gateway printed circuit board for integrated revenue grade PV production metering (ANSI C12.20 0.5%), consumption monitoring (± 2.5%) and IQ Battery monitoring (± 2.5%). Includes Enphase Mobile Connect cellular modem (CELLMODEM-MI-06-SP-05). Includes a silver solar shield to deflect heat.
WHAT'S IN THE BOX	
IQ Gateway printed circuit board	IQ Gateway is the platform for total energy management for comprehensive, remote maintenance and management of the Enphase IQ System
Busbar	120A busbar with support for 1x IQ Gateway breaker and 4x 20A breaker for installing IQ Series Microinverters and IQ Battery 5P
IQ Gateway breaker	Circuit breaker, 2-pole, 10 A/15 A
Production CT	Pre-wired revenue-grade solid core CTs, accurate up to 0.5%
Consumption CT	Two consumption metering clamp CTs, shipped with the box, accurate up to 2.5%
IQ Battery CT	One battery metering clamp CT, shipped with the box, accurate up to 2.5%
CTRL board	Control board for wired communication with IQ System Controller 3/3G and the IQ Battery 5P
Enphase Mobile Connect (only with IQ Combiner 5C)	4G-based LTE-M cellular modem (CELLMODEM-MI-06-SP-05) with a 5-year T-Mobile data plan
Accessories kit	Spare control headers for CTRL board
ACCESSORIES AND REPLACEMENT PARTS (NOT INCLUDED, ORDER SEPARATELY)	
CELLMODEM-MI-06-SP-05	4G-based LTE-M cellular modem with a 5-year T-Mobile data plan
CELLMODEM-MI-06-AT-05	4G-based LTE-M cellular modem with a 5-year AT&T data plan
Circuit breakers (off-the-shelf)	Supports Eaton BR230, BR235, BR230, BR230, BR240, BR250, and BR260 circuit breakers. Supports Eaton BR2206, BR2306, and BR240B circuit breakers compatible with hold-down kit
Circuit breakers (provided by Enphase)	BRK-10A-2-240V, BRK-15A-2-240V, BRK-20A-2P-240V, BRK-15A-2P-240V-S, and BRK-20A-2P-240V-S (More details in "Accessories" section)
XA-SOLARSHIELD-ES	Replacement solar shield for IQ Combiner 5/5C
XA-ENV2-PCBA-5	IQ Gateway replacement printed circuit board (PCB) for Combiner 5/5C
X-IQ-NA-HD-125A	Hold-down kit compatible with Eaton BR-B series circuit breakers (with screws)
ELECTRICAL SPECIFICATIONS	
Rating	80 A
System voltage	120/240 VAC, 60 Hz
Busbar rating	125 A
Fault current rating	10 kAIC
Maximum continuous current rating (input from PV/storage)	64 A
Branch circuits (solar and/or storage)	Up to four 2-pole Eaton BR series distributed generation (DG) breakers only (not included)
Maximum total branch circuit breaker rating (input)	80 A of distributed generation/95 A with IQ Gateway breaker included
IQ Gateway breaker	10 A or 15 A rating GE/Siemens/Eaton included
Production metering CT	200 A solid core pre-installed and wired to IQ Gateway
Consumption monitoring CT (CT-200-CLAMP)	A pair of 200 A clamp-style current transformers is included with the box
IQ Battery metering CT	200 A clamp-style current transformer for IQ Battery metering, included with the box

* A plug-and-play industrial-grade cell modem for systems up to 60 microinverters. (Available in the US, Canada, Mexico, Puerto Rico, and the US Virgin Islands, where there is adequate cellular service in the installation area.)

IQC-5-5C-DSH-00007-2.0-EN-US-2023-09-27

Revision history

REVISION	DATE	DESCRIPTION
DSH-00007-2.0	September 2023	Included Bluetooth specifications
DSH-00007-1.0	May 2023	Initial release



BEAM SOLAR CO.
1231 SHIELDS ROAD
STE. 5
KERNERSVILLE, NC 27284

SCOPE OF WORK:

TO INSTALL OF A 12 MODULE ROOF MOUNTED SOLAR PHOTOVOLTAIC SYSTEM AT THE OWNER RESIDENCE LOCATED AT 16 RAILWOOD CT THE POWER GENERATED BY THE PV SYSTEM WILL BE INTERCONNECTED WITH THE UTILITY GRID THROUGH THE EXISTING ELECTRICAL SERVICE EQUIPMENT. THE PV SYSTEM DOES NOT INCLUDE STORAGE BATTERIES.

EUELLE COE
RESIDENCE
16 RAILWOOD CT
FUQUAY-VARINA, NC 27526
(1252)722-2550
MCCORMICKTLG@OUTLOOK.COM
TMK: ----

DRAWN BY: XAM CONGE

DATE: 2025-02-07

REVISION:

NO.	DESCRIPTION	DATE

DATA SHEETS

MSD

© 2023 Enphase Energy. All rights reserved. Enphase, the e and CC logos, IQ, and certain other marks listed at <https://enphase.com/trademark-usage-guidelines> are trademarks of Enphase Energy, Inc. in the US and other countries. Data subject to change.

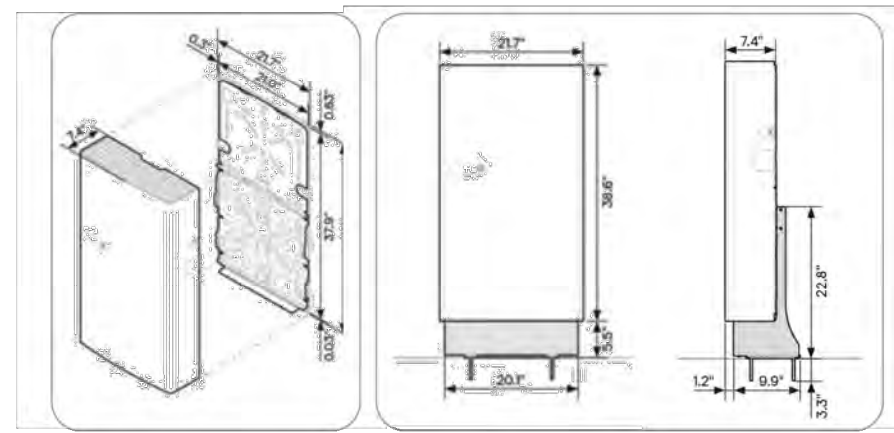
IQC-5-5C-DSH-00007-2.0-EN-US-2023-09-27



IQ Battery 5P

The IQ Battery 5P all-in-one AC-coupled system is powerful, reliable, simple, and safe. It has a total usable energy capacity of 5.0 kWh and includes six embedded grid-forming microinverters with a 3.84 kVA continuous power rating. It provides backup capability, and installers can quickly design the right system size to meet the customer needs.

Dimensions in inches



Wall mounted

Floor mounted with pedestal (sold separately)



Powerful

- Provides 3.84 kVA continuous and 7.68 kVA peak power
- Doubles the available power per kWh of prior generations of IQ Battery
- Includes six embedded IQBD-BAT Microinverters

Reliable

- 15 years limited warranty
- Cools passively with no moving parts or fans
- Uses wired communication for fast and consistent connection
- Updates software and firmware remotely

Simple

- Fully integrated AC battery system
- Installs and commissions easily
- Supports Backup, Self-Consumption, and Time-of-Use (TOU) modes
- Offers homeowners remote monitoring and control from the Enphase App
- Field replaceable components

Safe

- Evaluated to UL 9540A for large scale fire testing and reduced separation distance as required in 2021 IRC R310.3.1, 2021 IFC 1207.3.1, and 2023 NFPA 855 15.3.1 and 9.1.5.1
- Uses lithium iron phosphate (LFP) chemistry for maximum safety and longevity

*Follow all installation instructions and local codes and requirements of the Authority Having Jurisdiction (AHJ) when installing Enphase ESS.

© 2023 Enphase Energy. All rights reserved. Enphase, the e and CC logos, IQ, and certain other marks listed at <https://enphase.com/trademark-usage-guidelines> are trademarks of Enphase Energy, Inc. in the US and other countries. Data subject to change.

IQB-5P-05H-00000-4-0-EN-US-2023-11-07

IQ Battery 5P

BATTERY	
Total capacity	5.0 kWh
Usable capacity	5.0 kWh
DC round-trip efficiency	96%
Nominal DC voltage	76.8 V
Maximum DC voltage	86.4 V
Ambient operating temperature range (charging)	-20°C to 50°C (-4°F to 122°F) non-condensing
Ambient operating temperature range (discharging)	-20°C to 50°C (-4°F to 137°F) non-condensing
Optimum operating temperature range	0°C to 30°C (32°F to 86°F)
Chemistry	Lithium iron phosphate (LFP)
MECHANICAL DATA	
Dimensions (HxWxD)	980 mm x 550 mm x 188 mm (38.6 in x 21.7 in x 7.4 in)
Lifting weight	66.3 kg (146.1 lbs)
Total installed weight	78.9 kg (174 lbs)
Enclosure	Outdoor-NEMA 3R
IQBD-BAT Microinverter enclosure	NEMA Type 6
Cooling	Natural convection
Altitude	Up to 2,500 meters (8,202 feet)
Mounting	Wall-mount or pedestal-mount (sold separately)
FEATURES AND COMPLIANCE	
Compatibility	Compatible with IQ and M Series Microinverters, IQ System Controller 3/3G, IQ Combiner 5/5C, and IQ Gateway for grid-tied and backup operation
Communication	Wired control communication
Services	Backup, Self-Consumption, TOU, and NEM integrity
Monitoring	Enphase Installer Platform and Enphase App monitoring options; API integration
Compliance	CA Rule 21 (UL 1741-NA), IEEE 1547/2018 (UL 1741-36, 3rd Ed.) CAN/CSA C22.2 No. 6073-09 UL 9540, UL 9540A, UN 38.3, UL 1998, UL 991, NEMA Type 3R, AC156 EMC 47 CFR, Part 15, Class B, ICES 003 Cell module: UL 3073, UN 38.3 Inverters: UL 62109-1, IEC 62109-2
LIMITED WARRANTY	
Limited warranty	~60% capacity, up to 15 years or 6,000 cycles*

*Following local standards, choose a well-ventilated, non-habitable, indoor location (like a 2-car garage) or in an outdoor location, which is out of direct sunlight and where the ambient temperature and humidity are within -4°F to 137°F (-20°C to 49°C) and 0% to 95% RH, non-condensing.
*Whichever occurs first. Restrictions apply.

© 2023 Enphase Energy. All rights reserved. Enphase, the e and CC logos, IQ, and certain other marks listed at <https://enphase.com/trademark-usage-guidelines> are trademarks of Enphase Energy, Inc. in the US and other countries. Data subject to change.

IQB-5P-05H-00000-4-0-EN-US-2023-11-07

IQ Battery 5P

MODEL NUMBER	
IQBATTERY-5P-5P-NA	The IQ Battery 5P system with integrated IQ Microinverters and battery management system (BMS) with battery controller
WHAT'S IN THE BOX	
IQ Battery 5P unit	IQ Battery 5P unit (B05-102-U500-1-3)
ID cover and conduit cover	IQ Battery 5P cover with two conduit covers for the left and right sides of the unit
Bottom mounting bracket and top shield	Bottom mounting bracket for mounting the battery on the wall. One top shield is required for UL9540A
M5 seismic screws	Two M5 seismic screws for securing the battery unit on the bottom mounting bracket
M4 grounding screws	Two M4 grounding screws for securing the top shield on the bottom mounting bracket
M5 ID cover grounding screws	Two M5 ID cover grounding screws for the EMV/EMC requirement
Cable ties	Six cable ties for securing field cables to the unit
Control (CTRL) connector	Spare CTRL connector without resistor for CTRL wiring
Control (CTRL) connector with resistor	Spare CTRL connector with resistor for CTRL wiring
Quick Install Guide (QIG)	QIG for IQ Battery unit installation instructions
OPTIONAL ACCESSORIES AND REPLACEMENT PARTS	
IQBD-BAT-RMA	IQBD-BAT Microinverter for field replacement
B05-102-U500-1-3-RMA	IQ Battery 5P Battery unit for field replacement
B05-CX-0550-O	IQ Battery 5P cover for field replacement
B05-PI-0550-O	IQ Battery 5P pedestal mount
B05-CP-096-O	IQ Battery 5P conduit plates for field replacement. Includes one left-side and one right-side conduit plate
B05-WB-0545-O	IQ Battery 5P wall bracket for field replacement. Includes one bottom mounting bracket and one top shield
IQBATTERY-HNDL-5	IQ Battery 5P lifting handles. Includes one left-side and one right-side lifting handle
B05-ACFB-080-O	IQ Battery 5P AC filter board for field replacement
B05-BMSNA-0490-O	IQ Battery 5P BMS board for field replacement
B05-CAMB-063-O	IQ Battery 5P control communication board for field replacement
B05-NCS-0924-O, B05-NJCS-0924-O	IQ Battery 5P control switch is preinstalled on the wiring cover for field replacement
OUTPUT (AC)	
Rated (continuous) output power	3.84 kVA
Peak output power	7.68 kVA (3 seconds), 6.14 kVA (10 seconds)
Nominal voltage/range	240/278-264 VAC
Nominal frequency/range	60/57-63 Hz
Rated output current (@240 VAC)	16 A
Peak output current (@240 VAC)	32 A (3 seconds), 25.6 A (10 seconds)
Power Start capability	Up to 48 A LRA*
Power factor (adjustable)	0.85 leading...0.85 lagging
Maximum units per 20 A branch circuit	One unit (single-phase)
Maximum conductor size supported	3 AWG
Overcurrent protection device (OCPD) for 3 AWG cable	80 A
Interconnection	Single-phase
AC round-trip efficiency [†]	90%

[†]Reported in both grid-connected and backup/off-grid operation.

*Power Start capability max amp.

[†]AC to the battery to AC at 50% power rating.

© 2023 Enphase Energy. All rights reserved. Enphase, the e and CC logos, IQ, and certain other marks listed at <https://enphase.com/trademark-usage-guidelines> are trademarks of Enphase Energy, Inc. in the US and other countries. Data subject to change.

IQB-5P-05H-00000-4-0-EN-US-2023-11-07

Revision history

REVISION	DATE	DESCRIPTION
DSH-0000-4.0	November 2023	Updated the "Output (AC)" table.
DSH-0000-3.0	September 2023	• Updated product images. • Editorial updates.
DSH-0000-2.0	July 2023	• Added battery isometric view on the first page. • Editorial updates.
DSH-0000-1.0	May 2023	Initial release.



BEAM SOLAR CO.
1231 SHIELDS ROAD
STE. 5
KERNERSVILLE, NC 27284

SCOPE OF WORK:

TO INSTALL OF A 12 MODULE ROOF MOUNTED SOLAR PHOTOVOLTAIC SYSTEM AT THE OWNER RESIDENCE LOCATED AT 16 RAILWOOD CT THE POWER GENERATED BY THE PV SYSTEM WILL BE INTERCONNECTED WITH THE UTILITY GRID THROUGH THE EXISTING ELECTRICAL SERVICE EQUIPMENT. THE PV SYSTEM DOES NOT INCLUDE STORAGE BATTERIES.

EUELL COE
RESIDENCE
16 RAILWOOD CT
FUQUAY-VARINA, NC 27526
(1252)722-2550
MCCORMICKTLG@OUTLOOK.COM
TMK: ----

DRAWN BY: XAM CONGE

DATE: 2025-02-07

REVISION:

NO.	DESCRIPTION	DATE

DATA SHEETS

MSD

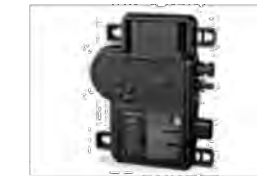
© 2023 Enphase Energy. All rights reserved. Enphase, the e and CC logos, IQ, and certain other marks listed at <https://enphase.com/trademark-usage-guidelines> are trademarks of Enphase Energy, Inc. in the US and other countries. Data subject to change.

IQB-5P-05H-00000-4-0-EN-US-2023-11-07



IQ System Controller 3/3G

The Enphase IQ System Controller 3/3G connects the home to grid power, the IQ Battery system, and solar PV. It provides microgrid interconnect device (MID) functionality by automatically detecting and seamlessly transitioning the home energy system from grid power to backup power in the event of a grid failure. It consolidates interconnection equipment into a single enclosure and streamlines grid-independent capabilities of PV and storage installations by providing a consistent, pre-wired solution for residential applications.



IQ Series Microinverters
The high-powered smart grid-ready IQ Series Microinverters (M-Series, IQ8, IQ7, and IQ6 Series) dramatically simplify the installation process.



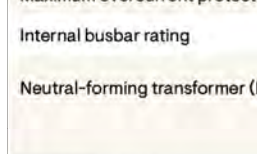
IQ Battery 5P
Fully integrated AC battery system. Includes six field-replaceable IQ50-BAT microinverters.



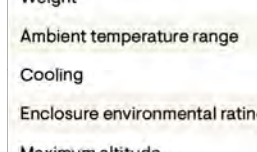
IQ Combiner 5/5C
Consolidates PV interconnection equipment into a single enclosure and streamlines IQ Series Microinverters and IQ Gateway installation by providing a consistent, pre-wired solution for residential applications.



IQ Load Controller
Helps prioritize essential appliances during a grid outage to optimize energy consumption and prolong battery life.



10-year limited warranty



UL LISTED

© 2023 Enphase Energy. All rights reserved. Enphase, the e and CC logos, IQ, and certain other marks listed at <https://enphase.com/trademark-usage-guidelines> are trademarks of Enphase Energy, Inc. in the US and other countries. Data subject to change.

(1) IQ System Controller 3 is not suitable for use as service equipment in Canada. IQSC-3-DSH-00021-3-0-EN-US-2023-08-08

Easy to install

- Connects to service entrance¹ or main load center
- Includes neutral-forming transformer
- Mounts on single stud with centered brackets
- Provides conduit entry from the bottom, left, or right
- Includes color-coded wires for ease of wiring the System Shutdown Switch
- Integrate hold-down functionality to eliminate the need for hold-down kits and special breakers

Flexible

- Can be used for Sunlight Backup, Home Essentials Backup, or Full Energy Independence
- IQ System Controller 3 integrates with IQ Battery 5P
- IQ System Controller 3G integrates with select AC standby generators. See the [Generator integration tech brief](#) for a list of generators
- Provides a seamless transition to backup

Safe and reliable

- System Shutdown Switch can be used to disconnect PV, battery, and generator systems
- System Shutdown Switch acts as a rapid shutdown initiator of grid-forming IQ8 PV Microinverters for the safety of maintenance technicians/first responders
- 10-year limited warranty

IQ System Controller 3/3G

MODEL NUMBER	DESCRIPTION
SC2000HC240U01	IQ System Controller 3 streamlines the grid-independent capabilities of PV and storage installations. Integrates hold-down capability. Supports IQ Battery 5P units up to 40 kWh (without PCS) and 80 kWh (with PCS). Does not support generator integration.
SC2000HC240U01	IQ System Controller 3G streamlines the grid-independent capabilities of PV and storage installations. Integrates hold-down capability. Supports IQ Battery 5P units up to 20 kWh (without PCS) and 40 kWh (with PCS). Supports generator integration.
WHAT'S IN THE BOX	
IQ System Controller 3/3G	Includes neutral-forming transformer (NFT) and microgrid interconnect device (MID)
System Shutdown Switch	Includes pre-wired red, black, orange, and purple 12 AWG wire (EP2000-NA-02-RSD)
Wall-mounting bracket	Screws provided in the accessories kit for mounting
4-pole circuit breaker	Pre-installed Quad breaker (BRK-20A40A-4P-240V), 20 A, 40 A, 10 kAIC, Eaton BOC220240 ¹
Accessories kit	IQ System Controller 3/3G literature kit, including labels, CTRL headers, screws, filter plates, and Quick Install Guide (QIG) (EP2000-LITKIT)
OPTIONAL ACCESSORIES AND REPLACEMENT PARTS	
CT-200-SPLIT	200 A split core current transformers for metering (accuracy: ±2.5%) ²
CT-200-CLAMP	200 A clamp-type current transformers for metering (accuracy: ±2.5%) ²
Main or load circuit breakers (order separately, as needed) ³	<ul style="list-style-type: none"> • BRK-100A-2P-240V: 2-pole, 100A, 25kAIC, CSR2100N or CSR2100 • BRK-125A-2P-240V: 2-pole, 125A, 25kAIC, CSR2125N • BRK-150A-2P-240V: 2-pole, 150A, 25kAIC, CSR2150N • BRK-175A-2P-240V: 2-pole, 175A, 25kAIC, CSR2175N • BRK-200A-2P-240V: 2-pole, 200A, 25kAIC, CSR2200N
Distributed energy resource (DER) circuit breakers (order separately, as needed) ⁴	<ul style="list-style-type: none"> • BRK-20A-2P-240V-8: 2-pole, 20 A, 10 kAIC, BR220B/BR220 • BRK-30A-2P-240V-8: 2-pole, 30 A, 10 kAIC, BR230 • BRK-40A-2P-240V-8: 2-pole, 40 A, 10 kAIC, BR240B/BR240 • BRK-60A-2P-240V: 2-pole, 60 A, 10 kAIC, BR260 • BRK-80A-2P-240V: 2-pole, 80 A, 10 kAIC, BR280
EP2000-HNDL-R1	IQ System Controller 3/3G installation handle kit (order separately)
CTRL-SC3-NA-01	Control cable, 500 ft. spool (order separately)
ALTERNATE DER CIRCUIT BREAKERS	
GE/ABB	THQL21xx (20/40/60/80 A)
Siemens	Q2xx (20/40/60/80 A)
Siemens (Quad breaker)	Q240Q212 (20/40 A)
ELECTRICAL SPECIFICATIONS	
Nominal voltage/Range (L-L)	240 V ¹ ±1.20%
Voltage measurement accuracy	±1% V nominal (1.2V L-N and ±2.4V L-L)
Auxiliary (dry) contact for load control, excess PV control, and generator two-wire control	24 V, 1 A
Nominal frequency/Range	60 Hz/56-63 Hz
Frequency measurement accuracy	±0.1 Hz
Maximum continuous current rating	160 A
Maximum input overcurrent protection device	200 A
Maximum output overcurrent protection device	200 A
Maximum overcurrent protection device rating for generator circuit	80 A (IQ System Controller 3G only - SC2000HC240U01)
Maximum overcurrent protection device rating for storage circuit	2 x 80 A (IQ System Controller 3 - SC2000HC240U01), 1 x 80 A (IQ System Controller 3G - SC2000HC240U01)

¹ Factory installed quad breaker (Siemens or Eaton), NPT pre-wired to 40 A terminal of the quad breaker.
² Two units of CT-200-SPLIT or CT-200-CLAMP must be bought separately for generator integration.
³ The IQ System Controller 3 is rated at 22 kAIC.
⁴ Integrated hold-down kit support breakers (BRK-20/30/40/60/80) without predrilled hole.
 Integrated hold-down kit also supports GE/ABB and Siemens as mentioned under section alternate DER circuit breakers.
⁵ "-" indicates alternating current (AC) supply.
⁶ Power Control System.

IQSC-3-DSH-00021-3-0-EN-US-2023-08-08

Revision history

REVISION	DATE	DESCRIPTION
DSH-00021-3-0	August 2023	Updated the section "Optional accessories and replacement parts"
DSH-00021-2-0	July 2023	Added new section "Alternative breakers for Eaton load centre"
DSH-00021-1-0	May 2023	Initial release

ELECTRICAL SPECIFICATIONS									
Maximum overcurrent protection device rating for PV combiner unit	80 A								
Internal busbar rating	200 A								
Neutral-forming transformer (NFT)	<ul style="list-style-type: none"> • Breaker rating (pre-installed): 40 A between L1 and Neutral; 40 A between L2 and Neutral • Continuous rated power: 3,600 VA • Maximum continuous unbalance current: 30 A @ 120 V • Peak unbalanced current: 80 A @ 120 V for two seconds 								
MECHANICAL DATA									
Dimensions (WxHxD)	50 cm x 91.6 cm x 24.6 cm (19.7 in x 36 in x 9.7 in)								
Weight	39.4 kg (87 lb)								
Ambient temperature range	-40°C to 50°C (-40°F to 122°F)								
Cooling	Natural convection and a heat shield								
Enclosure environmental rating	Outdoor, NEMA type 3R, polycarbonate construction								
Maximum altitude	2500 meters (8200 feet)								
WIRE SIZES									
Connections (All lugs are rated to 90°C)	<table border="0"> <tr> <td>Main lugs and backup load lugs</td> <td>Cu/Al: 6 AWG-300 kcmil</td> </tr> <tr> <td>CSR breaker bottom wiring lugs</td> <td>Cu/Al: 2 AWG-300 kcmil</td> </tr> <tr> <td>AC combiner lugs, IQ Battery lugs, and generator lugs</td> <td>14 AWG-2 AWG</td> </tr> <tr> <td>Neutral (large lugs)</td> <td>Cu/Al: 6 AWG-300 kcmil</td> </tr> </table>	Main lugs and backup load lugs	Cu/Al: 6 AWG-300 kcmil	CSR breaker bottom wiring lugs	Cu/Al: 2 AWG-300 kcmil	AC combiner lugs, IQ Battery lugs, and generator lugs	14 AWG-2 AWG	Neutral (large lugs)	Cu/Al: 6 AWG-300 kcmil
Main lugs and backup load lugs	Cu/Al: 6 AWG-300 kcmil								
CSR breaker bottom wiring lugs	Cu/Al: 2 AWG-300 kcmil								
AC combiner lugs, IQ Battery lugs, and generator lugs	14 AWG-2 AWG								
Neutral (large lugs)	Cu/Al: 6 AWG-300 kcmil								
Neutral and ground bars	<table border="0"> <tr> <td>Large holes (D/16-24 UNF)</td> <td>14 AWG-1/0 AWG</td> </tr> <tr> <td>Small holes (D/16-12 UNF)</td> <td>14 AWG-6 AWG</td> </tr> </table>	Large holes (D/16-24 UNF)	14 AWG-1/0 AWG	Small holes (D/16-12 UNF)	14 AWG-6 AWG				
Large holes (D/16-24 UNF)	14 AWG-1/0 AWG								
Small holes (D/16-12 UNF)	14 AWG-6 AWG								
COMPLIANCE									
Compliance (under progress)	UL 1741, UL 1741 SA, IEEE 1547-2018 (UL 1741-SB, 3rd Ed.), UL 1741 PCS CRD, UL1996, UL 869A, UL 675, UL 508, UL 50E, CSA 22.2 No. 1071, 47 CFR Part 15 Class B, ICES 003, ICES AC156, The IQ System Controller 3/3G is approved for use as service equipment in the United States								
WARRANTY									
Limited warranty (restrictions apply)	Up to 10 years (EP2000-NA-02-RSD has a 5-year warranty)								
COMPATIBILITY ¹									
Battery	IQ Battery 5P (IQBATTERY-5P-1P-NA)								
Microinverters	IQ8, IQ7, IQ6, and M-Series Microinverters ²								
IQ Combiner	IQ Combiner 5/5C (X-IQ-AMI-240-5C, X-IQ-AMI-240-5)								
Communications Kit 2	COMMS-KIT-02								

¹ Sections from these standards were used during the safety evaluation and included in the UL 1741 listing.
² For more details, refer to IQ System Controller 3/3G Quick Install Guide.
³ M-Series Microinverters can only be supported in states that have not yet adopted IEEE 1547-2018.
 Enphase does not support mixing IQ8 Series Microinverters with other series on the same IQ Gateway.

IQSC-3-DSH-00021-3-0-EN-US-2023-08-08

IQSC-3-DSH-00021-3-0-EN-US-2023-08-08



BEAM SOLAR CO.
1231 SHIELDS ROAD
STE. 5
KERNERSVILLE, NC 27284

SCOPE OF WORK:

TO INSTALL OF A 12 MODULE ROOF MOUNTED SOLAR PHOTOVOLTAIC SYSTEM AT THE OWNER RESIDENCE LOCATED AT 16 RAILWOOD CT THE POWER GENERATED BY THE PV SYSTEM WILL BE INTERCONNECTED WITH THE UTILITY GRID THROUGH THE EXISTING ELECTRICAL SERVICE EQUIPMENT. THE PV SYSTEM DOES NOT INCLUDE STORAGE BATTERIES.

EUDELL COE RESIDENCE
16 RAILWOOD CT
FUQUAY-VARINA, NC 27526
(1252)722-2550
MCCORMICKTLG@OUTLOOK.COM
TMK: ----

DRAWN BY: XAM CONGE

DATE: 2025-02-07

REVISION:

NO.	DESCRIPTION	DATE

DATA SHEETS

MSD



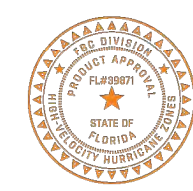
GF-1

COMPLETE MOUNT & FLASHING ASSEMBLY

GF-1 is our most versatile solution for composition shingle roofs. The flashing installs with a single fastener for a quick and easy installation. When the GF-1 Flashing with Grommet is paired with EcoFasten compression bracket, a watertight seal is created, maintaining the integrity of the roof.

FEATURES & BENEFITS

- Patented watertight technology
- Installs without removing shingles
- One lag bolt for a single-penetration attachment point
- Compatible with a variety of EcoFasten compression brackets
- Florida Product Approved for any combination of 8"x12" GF-1 flashing with the ClickFit L-foot & Lag Screw



VERSATILE WATERTIGHT MOUNT THAT INSTALLS IN SECONDS

ECOFASTENSOLAR.COM

PRODUCT CUT SHEET



CF UNIV L-FOOT MLL 3"

PART NUMBER	DESCRIPTION
2012022	CF UNIV L-FOOT MLL 3"

ITEM NO.	DESCRIPTION
1	CLICKFIT L FOOT ASSEMBLY

1) CLICKFIT L FOOT ASSEMBLY

Material	Finish
Aluminum/Stainless Steel	Mill

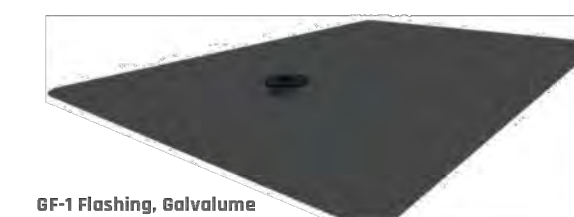
REV.- CS1



GF-1

CONFIGURATION OPTIONS

1. CHOOSE YOUR FLASHING:



GF-1 Flashing, Grommet
8"x10", Black Finish
8"x12", Black Finish

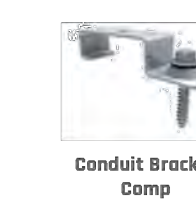
2. CHOOSE YOUR BRACKET:



ClickFit Universal L-Foot
3", Mill Finish



Open Slot L-Foot
3", Black Anodized



Conduit Bracket
Comp



RockIt Smart Slide
4", Anodized Block

VIEW THE COMPLETE PARTS LIST

LEARN HOW TO USE OUR PRODUCTS
CLICK HERE: ELEVATELEARNING.SOLAR

4141 W. VAN BUREN ST, SUITE 2, PHOENIX AZ 85009
1-877-859-3947 | INFO@ECOFASTENSOLAR.COM

VERSION 2.1

PRODUCT CUT SHEET



LAG SCREW SS .313X4" W/BW (50)

PART NUMBER	DESCRIPTION
3016017	LAG SCREW SS .313X4" W/BW (50)

ITEM NO.	DESCRIPTION
1	LAG SCREW, 5/16-4", THREAD 3", EPDM BACKED WASHER

1) LAG SCREW, 5/16-4", THREAD 3", EPDM BACKED WASHER

Material	Finish
Stainless Steel/EPDM	Mill

REV.- CS1



BEAM SOLAR CO.
1231 SHIELDS ROAD
STE. 5
KERNERSVILLE, NC 27284

SCOPE OF WORK:

TO INSTALL OF A 12 MODULE ROOF MOUNTED SOLAR PHOTOVOLTAIC SYSTEM AT THE OWNER RESIDENCE LOCATED AT 16 RAILWOOD CT THE POWER GENERATED BY THE PV SYSTEM WILL BE INTERCONNECTED WITH THE UTILITY GRID THROUGH THE EXISTING ELECTRICAL SERVICE EQUIPMENT. THE PV SYSTEM DOES NOT INCLUDE STORAGE BATTERIES.

EUELLE COE
RESIDENCE
16 RAILWOOD CT
FUQUAY-VARINA, NC 27526
(1252)722-2550
MCCORMICKTLG@OUTLOOK.COM
TMK: ----

DRAWN BY: XAM CONGE

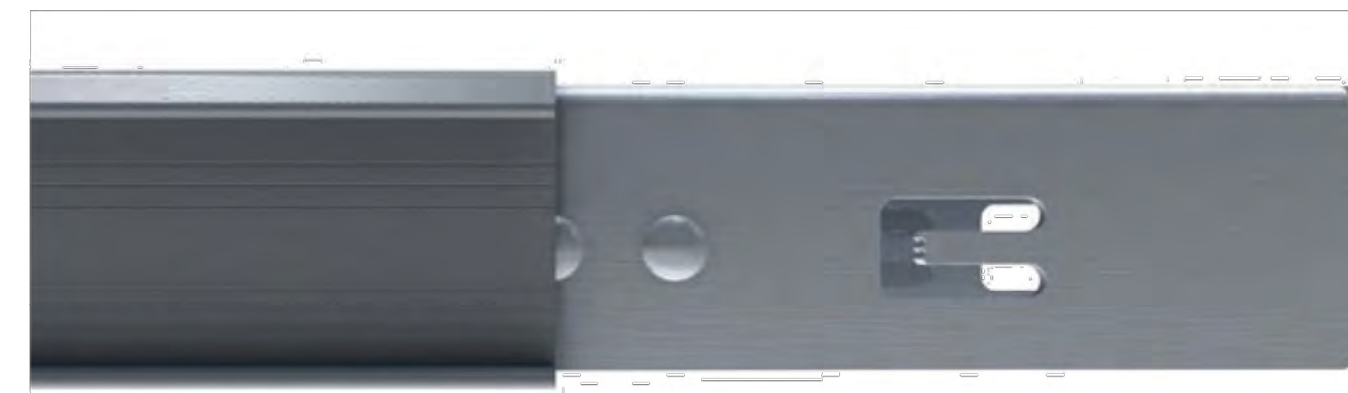
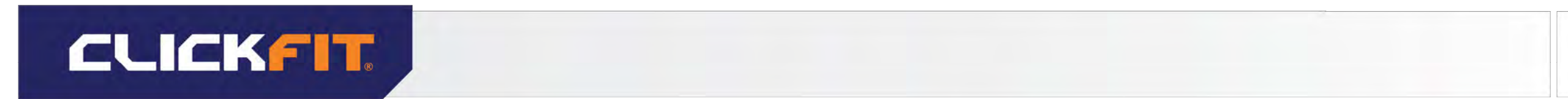
DATE: 2025-02-07

REVISION:

NO.	DESCRIPTION	DATE

DATA SHEETS

MSD



INTERNAL SPLICE
Tool-free bonded Internal Splice installs in seconds.

EBOS ACCESSORIES

Secure Module Level Power Electronics to the top of the rail using the ClickFit MLPE Mount. PV wires can be managed using the ClickFit Wire Clip and the ClickFit Wire Management Clamp.
Additional eBoS accessories are available.



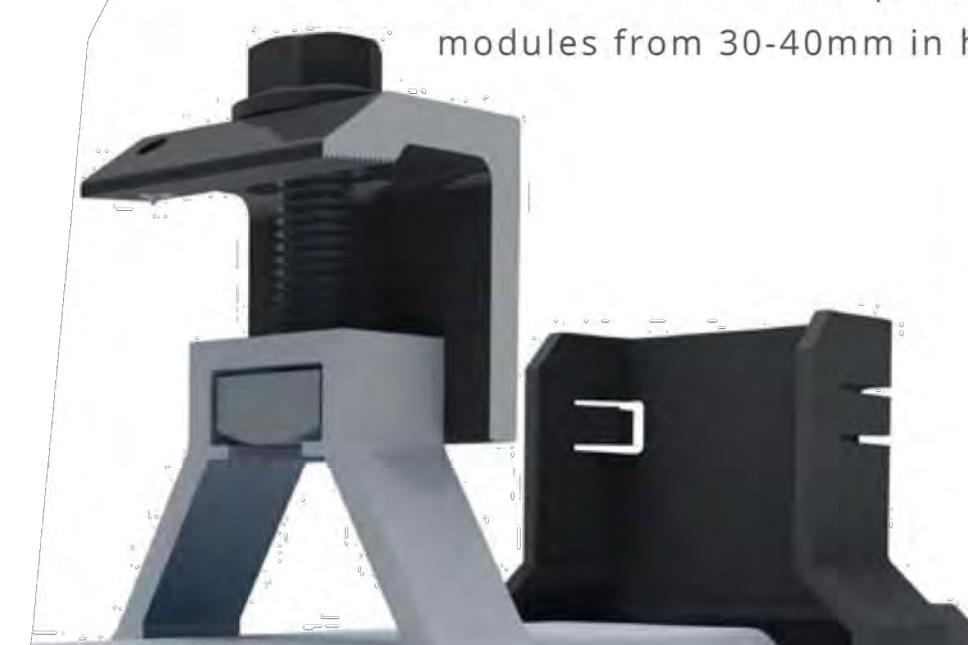
MID CLAMP

Click-on Mid Clamp features integrated bonding pins and fits module frames from 30-50 mm-in-height.



END CLAMP

One Click-on End Clamp fits modules from 30-40mm in height.



END CAP

Slide-on End Cap provide an aesthetic finish and allow for End Clamps to be accurately positioned on the rail in seconds.



RAIL

The ClickFit rail clicks into our proprietary composition shingle & tile L-foot and is tightened in place with a pre-installed bolt.



COMPLETE RAIL-BASED RACKING SYSTEM

ClickFit is one of the fastest installing rail-based systems in the industry. Thanks to its Click-In rail assembly, the rails can be connected to any of EcoFasten's composition shingle, tile, and standing seam metal roof mounts in seconds without the need for fasteners or tools. The ClickFit system is made of robust materials and coated steel, to ensure corrosion-resistance and longevity. ClickFit conforms to UL 2703 and has been tested in extreme weather conditions including wind, fire, and snow.

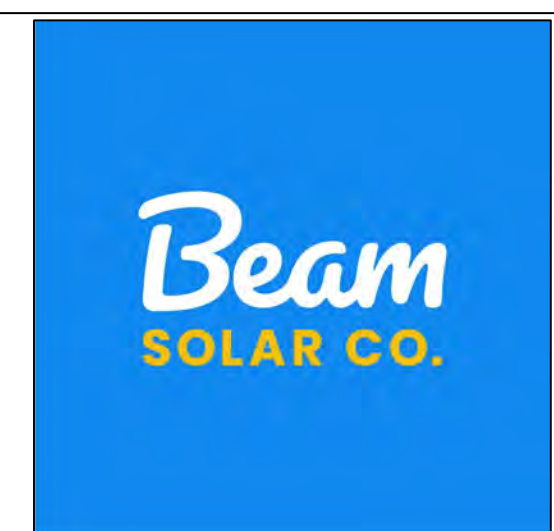
FEATURES & BENEFITS

- Pre-installed rail fastening bolt
- Fully integrated bonding
- Click-On Mid & End Clamps
- Compatible with a variety of EcoFasten roof attachments
- Florida Product Approved for composition shingle roofs



FAST INSTALLING SYSTEM FEATURING CLICK-IN RAIL ASSEMBLY

ECOFASTENSOLAR.COM



BEAM SOLAR CO.
1231 SHIELDS ROAD
STE. 5
KERNERSVILLE, NC 27284

SCOPE OF WORK:

TO INSTALL OF A 12 MODULE ROOF MOUNTED SOLAR PHOTOVOLTAIC SYSTEM AT THE OWNER RESIDENCE LOCATED AT 16 RAILWOOD CT THE POWER GENERATED BY THE PV SYSTEM WILL BE INTERCONNECTED WITH THE UTILITY GRID THROUGH THE EXISTING ELECTRICAL SERVICE EQUIPMENT. THE PV SYSTEM DOES NOT INCLUDE STORAGE BATTERIES.

EUEL COE
RESIDENCE
16 RAILWOOD CT
FUQUAY-VARINA, NC 27526
(1252)722-2550
MCCORMICKTLG@OUTLOOK.COM
TMK: ----

DRAWN BY: XAM CONGE

DATE: 2025-02-07

REVISION:

NO.	DESCRIPTION	DATE

DATA SHEETS

MSD

EUDELL COE'S SUNCO BILL OF MATERIALS

ELECTRICAL

ITEM	MANUFACTURER MODEL NO.	QTY
MODULE	Q.TRON BLK M-G2+ 420W MODULES	12
INVERTER	ENPHASE IQ8PLUS-72-2-US (240V) MICROINVERTER	12
JUNCTION BOX	600VDC NEMA 3R UL LISTED JUNCTION BOX	1
COMBINER	ENPHASE COMBINER X-IQ-AM1-240-5C	1
COMBINER BREAKER	20A	1
BATTERY	ENPHASE ENCHARGE 5P	1
CONTROLLER	ENPHASE IQ SYSTEM CONTROLLER 3	1
SMART SWITCH	N/A	N/A
AC DISCONNECT	EATON DG222NRB (60A) FUSED DISCONNECT	1
AC DISCONNECT FUSES	20A	2
TAP CONNECTORS	POLARIS ITC-3/0	2
Q-CABLE	ENPHASE CABLE Q-12-20-200	16
SEALING CAP	ENPHASE Q-SEAL-10	3
TERM CAPS	ENPHASE Q-TERM-10	1



BEAM SOLAR CO.
1231 SHIELDS ROAD
STE. 5
KERNERSVILLE, NC 27284

SCOPE OF WORK:

TO INSTALL OF A 12 MODULE ROOF MOUNTED SOLAR PHOTOVOLTAIC SYSTEM AT THE OWNER RESIDENCE LOCATED AT 16 RAILWOOD CT THE POWER GENERATED BY THE PV SYSTEM WILL BE INTERCONNECTED WITH THE UTILITY GRID THROUGH THE EXISTING ELECTRICAL SERVICE EQUIPMENT. THE PV SYSTEM DOES NOT INCLUDE STORAGE BATTERIES.

RACKING

ITEM	MANUFACTURER MODEL NO.	QTY
FLASHING / DOCK	ECOFASTEN CF GF-1 GLV FLASHING 8" x 10" / CF UNIV L-FOOT MLL 3" 3012020 / 2012022	0 / 0
RAILING	ECOFASTEN CLICKFIT STD RAIL 2012025	2
RAIL SPLICE	ECOFASTEN CF RAIL SPLICE 2012013	0
T BOLT	N/A	N/A
ENDS	ECOFASTEN CF END CLAMP 30-40MM BLK 2099022	0
MIDS	ECOFASTEN CF MID CLAMP SHORT BLK 2099039	0
MICROINVERTER BOLT	ECOFASTEN CF MLPE MOUNT 2012019	12
LAG SCREWS	ECOFASTEN LAG SCREW SS .313X4" W/BW 3016017	0
GROUND LUGS/ MODULE JUMPER	ECOFASTEN MODULE JUMPER 4011011 / GROUND LUG (NON ECOFASTEN)	1 / 1

EUDELL COE
RESIDENCE
16 RAILWOOD CT
FUQUAY-VARINA, NC 27526
(1252)722-2550
MCCORMICKTLG@OUTLOOK.COM
TMK: ----

DRAWN BY: XAM CONGE

DATE: 2025-02-07

REVISION:

NO.	DESCRIPTION	DATE

BILL OF MATERIALS

MISC

ITEM	MANUFACTURER MODEL NO.	QTY
LABELS	TITAN PV LABELS PCKT	1
MISC	N/A	N/A

BOM