

SCOPE OF WORK:

TO INSTALL A ROOF MOUNTED SOLAR PHOTOVOLTAIC SYSTEM AT THE OWNER RESIDENCE LOCATED AT 40 DAVINHALL DR, FUQUAY-VARINA, NC 27526 THE POWER GENERATED BY THE PV SYSTEM WILL BE INTERCONNECTED WITH THE UTILITY GRID THROUGH THE EXISTING ELECTRICAL SERVICE EQUIPMENT.
THE PV SYSTEM DOES NOT INCLUDE STORAGE BATTERIES

EQUIPMENT SUMMARY

28 LONGI SOLAR LR5-54HABB-400M MODULES

14 DURACELL POWER CENTER SOLAR PV DUAL D700-M2 (240V) MICROINVERTERS

SYSTEM RATING

11.200 KWDC

9.744 KWAC

GENERAL NOTES:

- THESE CONSTRUCTION DOCUMENTS HAVE BEEN BASED ON FIELD INSPECTIONS AND OTHER INFORMATION AVAILABLE AT THE TIME. ACTUAL FIELD CONDITIONS MAY REQUIRE MODIFICATIONS IN CONSTRUCTION DETAILS.
- ARCHITECT HAS NOT BEEN RETAINED TO SUPERVISE ANY CONSTRUCTION OR INSTALLATION OF ANY EQUIPMENT AT SITE.
- CONTRACTOR SHALL FURNISH ALL LABOR, MATERIAL, EQUIPMENT, TOOLS, OBTAINS ALL PERMITS, LICENSES AND PAY ALL REQUIRED FEES AND COMPLETE INSTALLATION.
- CONTRACTOR HAS THE FULL RESPONSIBILITY TO CHECK AND VERIFY ALL DIMENSIONS AND EXISTING CONDITIONS. ANY DISCREPANCIES SHALL BE REPORTED TO THE ENGINEER BEFORE PROCEEDING WITH THE WORK. ANY WORK STARTED BEFORE CONSULTATION AND ACCEPTANCE BY THE ENGINEER SHALL BE THE SOLE RESPONSIBILITY OF THE CONTRACTOR AND SHALL BE SUBJECT TO CORRECTION BY THEM WITHOUT ADDITIONAL COMPENSATION.
- DAMAGE CAUSED TO THE EXISTING STRUCTURE, PIPES, DUCTS, WINDOWS, WALL, FLOORS, ETC. SHALL BE REPAIRED TO THE ORIGINAL CONDITION OR REPLACED BY THE CONTRACTOR AT NO ADDITIONAL COST.
- THE CONTRACTOR SHALL BE HELD RESPONSIBLE FOR THE PROPER INSTALLATION AND COMPLETION OF THE WORK WITH APPROVED MATERIALS.
- NO CHANGES ARE TO BE MADE WITHOUT THE CONSULTATION AND APPROVAL OF THE ARCHITECT.
- CONTRACTOR SHALL OBTAIN BULDING PERMIT. NO WORK TO START UNLESS BUILDING PERMIT IS PROPERLY DISPLAYED.
- ALL WORKMANSHIP AND MATERIALS SHALL BE OF FIRST QUALITY AND IN COMPLIANCE WITH THE REQUIREMENTS OF THE NC BUILDING CODE, THE DEPARTMENT OF ENVIRONMENTAL PROTECTION AND ALL PERTINENT AGENCIES.
- IT IS ESSENTIAL THAT ALL WORK PROCEED WITH THE MAXIMUM COOPERATION OF ALL PARTIES AND WITH MINIMUM INTERFERENCE TO THE OCCUPANTS WITHIN THE BUILDING. THE OWNER'S DIRECTIONS IN THIS REGARD SHALL BE FULLY COMPLIED WITH.
- ALL EXPOSED PLUMBING, HVAC, ELECTRICAL DUCTWORK, PIPING AND CONDUITS ARE TO BE PAINTED BY GENERAL CONTRACTOR.
- THE CONTRACTOR SHALL PERFORM THE WORK IN STRICT CONFORMANCE WITH THE LOCAL LAWS, REGULATIONS AND THE NATIONAL ELECTRIC CODE.
- THE CONTRACTOR SHALL OBTAIN ALL PERMITS, APPROVALS, AFFIDAVITS, CERTIFICATIONS, ETC. AND PAY ALL FEES AS REQUIRED BY THE LOCAL AUTHORITIES.
- CONTRACTORS SHALL OBTAIN FIRE CERTIF. UPON COMPLETION OF WORK.

ELECTRICAL NOTES:

- ALL EQUIPMENT TO BE LISTED BY UL OR OTHER NRTL, AND LABELED FOR ITS APPLICATION.
- ALL CONDUCTORS SHALL BE COPPER, RATED FOR 600 V AND 90 DEGREE C WET ENVIRONMENT.
- WIRING, CONDUIT, AND RACEWAYS MOUNTED ON ROOFTOPS SHALL BE ROUTED DIRECTLY TO, AND LOCATED AS CLOSE AS POSSIBLE TO THE NEAREST RIDGE, HIP, OR VALLEY.
- WORKING CLEARANCES AROUND ALL NEW AND EXISTING ELECTRICAL EQUIPMENT SHALL COMPLY WITH NEC 110.26.
- WHERE SIZES OF JUNCTION BOXES, RACEWAYS, AND CONDUITS ARE NOT SPECIFIED, THE CONTRACTOR SHALL SIZE THEM ACCORDINGLY.
- ALL WIRE TERMINATIONS SHALL BE APPROPRIATELY LABELED AND READILY VISIBLE.
- MODULE GROUNDING (UFO) FASTENER TO BE INSTALLED BETWEEN MODULE FRAME AND MODULE SUPPORT RAIL, PER THE (UFO) FASTENER MANUFACTURE'S INSTRUCTION.

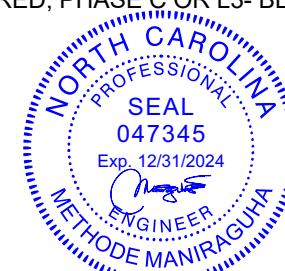
GOVERNING CODES

2018 INTERNATIONAL FIRE CODE
2018 INTERNATIONAL BUILDING CODE
2018 INTERNATIONAL RESIDENTIAL CODE
2018 NORTH CAROLINA STATE BUILDING CODE
2017 NATIONAL ELECTRICAL CODE

AUTHORITY HAVING JURISDICTION (AHJ) : HARNETT COUNTY

WIRING AND CONDUIT NOTES:

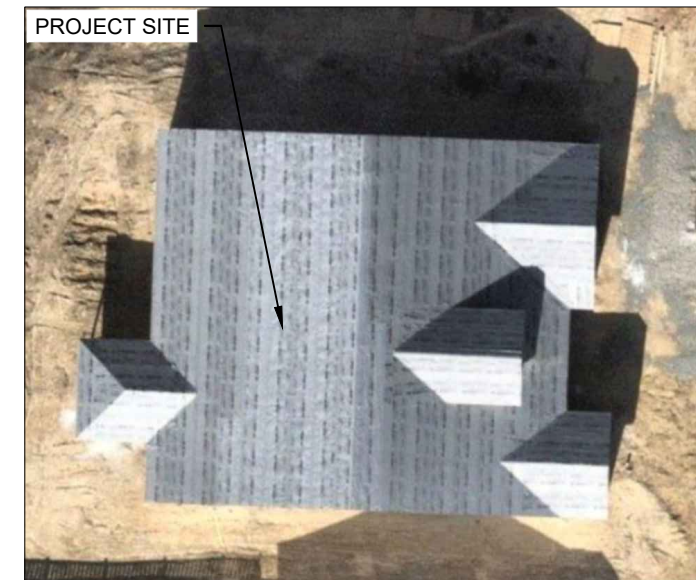
- ALL CONDUIT SIZES AND TYPES, SHALL BE LISTED FOR ITS PURPOSE AND APPROVED FOR THE SITE APPLICATIONS.
- ALL PV CABLES AND HOME RUN WIRES BE #10AWG *USE-2, PV WIRE, OR PROPRIETARY SOLAR CABLING SPECIFIED BY MFR, OR EQUIVALENT; ROUTED TO SOURCE CIRCUIT COMBINER BOXES AS REQUIRED.
- ALL CONDUCTORS AND OCPD SIZES AND TYPES SPECIFIED ACCORDING TO [NEC 690.8 (A)(1) & (B)(1)], [NEC 240] [NEC 690.7] FOR MULTIPLE CONDUCTORS.
- ALL PV DC CONDUCTORS IN CONDUIT EXPOSED TO SUNLIGHT SHALL BE DERATED ACCORDING TO [NEC TABLE 310.15 (B)(2)(C)] BLACK ONLY**
- EXPOSED ROOF PV DC CONDUCTORS SHALL BE USE-2, 90°C RATED, WET AND UV RESISTANT, AND UL LISTED RATED FOR 600V, UV RATED SPIRAL WRAP SHALL BE USED TO PROTECT WIRE FROM SHARP EDGES.
- PHASE AND NEUTRAL CONDUCTORS SHALL BE DUAL RATED THHN/THWN-2 INSULATED, 90°C RATED, WET AND UV RESISTANT, RATED FOR 600V PER NEC 2008 OR 1000V PER NEC 2011.
- 4-WIRE DELTA CONNECTED SYSTEMS HAVE THE PHASE WITH THE HIGHER VOLTAGE TO GROUND MARKED ORANGE OR IDENTIFIED BY OTHER EFFECTIVE MEANS.
- ALL SOURCE CIRCUITS SHALL HAVE INDIVIDUAL SOURCE CIRCUIT PROTECTION.
- VOLTAGE DROP LIMITED TO 2%
- AC CONDUCTORS >4AWG COLOR CODED OR MARKED: PHASE A OR L1- BLACK, PHASE B OR L2- RED, PHASE C OR L3- BLUE, NEUTRAL- WHITE/GRAY.



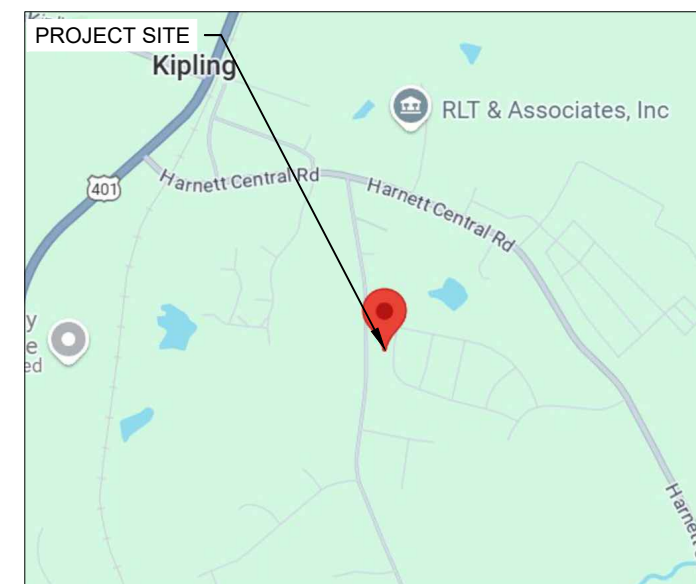
STAMPED 12/02/2024

SHEET INDEX

PV-0	COVER PAGE
PV-1	SITE PLAN
PV-2	ROOF PLAN & MODULES
PV-3	ATTACHMENT DETAIL
PV-4	ELECTRICAL LINE DIAGRAM & CALCS.
PV-5	ELECTRICAL PHOTOS
PV-6	SPECIFICATIONS & CALCS.
PV-7	LABLE & PLACARDS
PV-8+	EQUIPMENT SPECIFICATIONS



1 PV-0 HOUSE PHOTO SCALE: NTS



1 PV-0 VICINITY MAP SCALE: NTS



CAROLINA CONNECTIONS
422 HUFFMAN MILL ROAD,
SUITE 105, BURLINGTON,
NC 27215, UNITED STATES
PHONE: (336) 585-1314

SYSTEM INFO.

(28) LONGI SOLAR
LR5-54HABB-400M
(14) DURACELL POWER CENTER
SOLAR PV DUAL D700-M2 (240V)
DC SYSTEM SIZE: 11.200 KWDC
AC SYSTEM SIZE: 9.744 KWAC

REVISIONS

DESCRIPTION	DATE	REV
REVISION	11/21/2024	A
REVISION	11/27/2024	B

Signature with Seal

PROJECT NAME & ADDRESS

BRUCE ROY WOLFE
RESIDENCE
40 DAVINHALL DR,
FUQUAY-VARINA, NC 27526
PH.# : (919) 394 3610
Email: 446wolfe@gmail.com

DATE: 11/27/2024

SHEET NAME

COVER PAGE

SHEET SIZE

ANSI B
11" X 17"

SHEET NUMBER

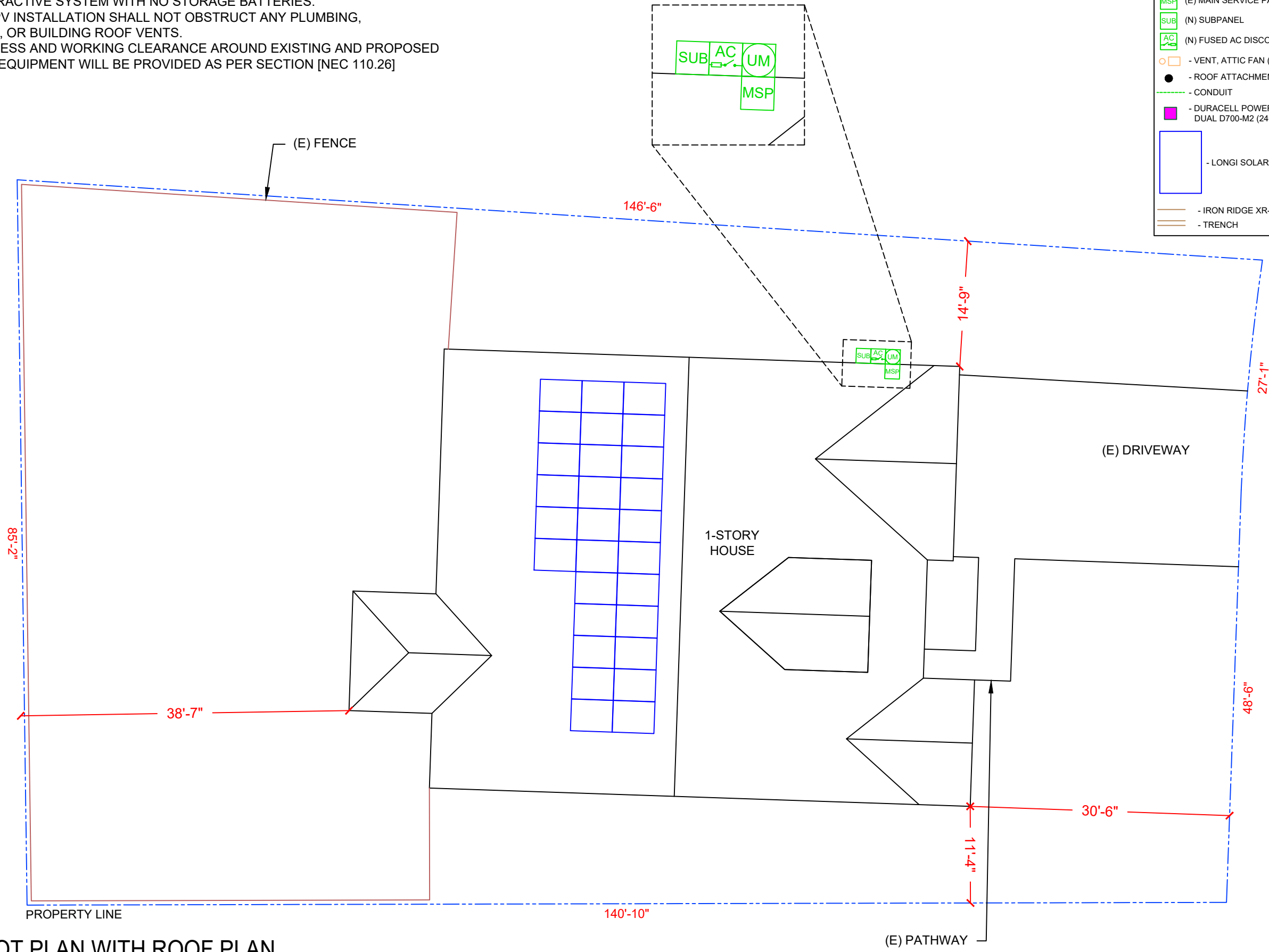
PV-0

SITE NOTES:

- A LADDER SHALL BE IN PLACE FOR INSPECTION IN COMPLIANCE WITH OSHA REGULATIONS.
- THE PV MODULES ARE CONSIDERED NON-COMBUSTIBLE AND THIS SYSTEM IS AN UTILITY INTERACTIVE SYSTEM WITH NO STORAGE BATTERIES.
- THE SOLAR PV INSTALLATION SHALL NOT OBSTRUCT ANY PLUMBING, MECHANICAL, OR BUILDING ROOF VENTS.
- PROPER ACCESS AND WORKING CLEARANCE AROUND EXISTING AND PROPOSED ELECTRICAL EQUIPMENT WILL BE PROVIDED AS PER SECTION [NEC 110.26]

LEGEND

- JB (N) JUNCTION BOX
- UM (E) UTILITY METER
- MSP (E) MAIN SERVICE PANEL
- SUB (N) SUBPANEL
- AC (N) FUSED AC DISCONNECT
- VENT, ATTIC FAN (ROOF OBSTRUCTION)
- ROOF ATTACHMENT
- CONDUIT
- DURACELL POWER CENTER SOLAR PV DUAL D700-M2 (240V) MICROINVERTER
- LONGI SOLAR LR5-54HABB-400M MODULE
- IRON RIDGE XR-10 168" MILL
- TRENCH



CAROLINA CONNECTIONS
 422 HUFFMAN MILL ROAD,
 SUITE 105, BURLINGTON,
 NC 27215, UNITED STATES
 PHONE: (336) 585-1314

SYSTEM INFO.

(28) LONGI SOLAR LR5-54HABB-400M
 (14) DURACELL POWER CENTER SOLAR PV DUAL D700-M2 (240V)
 DC SYSTEM SIZE: 11.200 KWDC
 AC SYSTEM SIZE: 9.744 KWAC

REVISIONS

DESCRIPTION	DATE	REV
REVISION	11/21/2024	A
REVISION	11/27/2024	B

Signature with Seal

PROJECT NAME & ADDRESS

BRUCE ROY WOLFE
 RESIDENCE
 40 DAVINHALL DR,
 FUQUAY-VARINA, NC 27526
 PH.# : (919) 394 3610
 Email: 446wolfe@gmail.com

DATE: 11/27/2024

SHEET NAME

SITE PLAN

SHEET SIZE

**ANSI B
 11" X 17"**

SHEET NUMBER

PV-1



1 PLOT PLAN WITH ROOF PLAN

PV-1 SCALE: 1/12" = 1'-0"

METER NO : 349 495 757

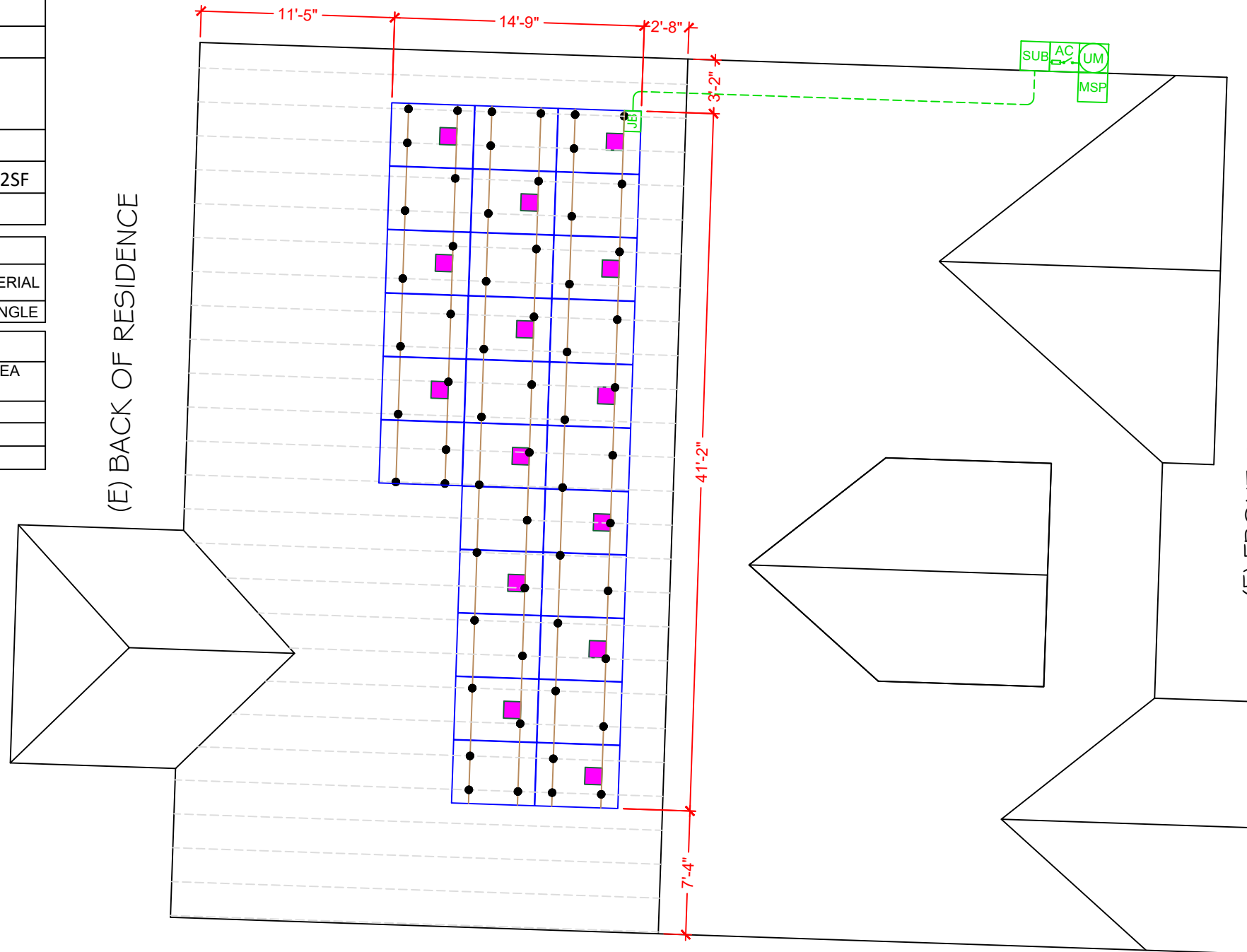
INVERTER SPECIFICATIONS	
MANUFACTURER / MODEL	DURACELL POWER CENTER SOLAR PV DUAL D700-M2 (240V)
MAX DC SHORT CIRCUIT CURRENT	11.5 A
CONTINUOUS OUTPUT CURRENT	2.9A (240V)

DESIGN SPECIFICATION	
RISK CATEGORY:	II
CONSTRUCTION:	SFD
ZONING:	RESIDENTIAL
SNOW LOAD (ASCE 7-10):	15 PSF
EXPOSURE CATEGORY:	B
WIND SPEED (ASCE 7-10):	116 MPH

MODULE TYPE, DIMENSIONS & WEIGHT	
NUMBER OF MODULES:	28 MODULES
MODULE TYPE:	LONGI SOLAR LR5-54HABB-400M
MODULE WEIGHT:	49.60 LBS/22.5 KG
MODULE DIMENSIONS:	67.80" x 44.65" = 21.02SF
UNIT WEIGHT OF ARRAY:	2.36 PSF

ROOF DESCRIPTION					
ROOF	ROOF TILT	AZIMUTH	TRUSS SIZE	TRUSS SPACING	ROOF MATERIAL
#1	35°	272°	2" X 4"	24" O.C.	COMP. SHINGLE

ARRAY AREA & ROOF AREA CALC'S		
ROOF	# OF MODULES	ARRAY AREA (Sq. Ft.)
#1	28	458.44
(TOTAL ARRAY AREA/TOTAL ROOF AREA) X 100%		
(458.44/3264.05) X 100% = 14.05%		



LEGEND

- JB (N) JUNCTION BOX
- UM (E) UTILITY METER
- MSP (E) MAIN SERVICE PANEL
- SUB (N) SUBPANEL
- AC (N) FUSED AC DISCONNECT
- - VENT, ATTIC FAN (ROOF OBSTRUCTION)
- - ROOF ATTACHMENT
- CONDUIT
- - DURACELL POWER CENTER SOLAR PV DUAL D700-M2 (240V) MICROINVERTER
- - LONGI SOLAR LR5-54HABB-400M MODULE
- IRON RIDGE XR-10 168" MILL
- TRENCH

PANEL HEIGHT OFF ROOF 6"

CAROLINA CONNECTIONS
 422 HUFFMAN MILL ROAD,
 SUITE 105, BURLINGTON,
 NC 27215, UNITED STATES
 PHONE: (336) 585-1314

SYSTEM INFO.		
(28) LONGI SOLAR LR5-54HABB-400M		
(14) DURACELL POWER CENTER SOLAR PV DUAL D700-M2 (240V)		
DC SYSTEM SIZE: 11.200 KWDC		
AC SYSTEM SIZE: 9.744 KWAC		

REVISIONS		
DESCRIPTION	DATE	REV
REVISION	11/21/2024	A
REVISION	11/27/2024	B

Signature with Seal



PROJECT NAME & ADDRESS

BRUCE ROY WOLFE
 RESIDENCE
 40 DAVINHALL DR,
 FUQUAY-VARINA, NC 27526
 PH.# : (919) 394 3610
 Email: 446wolfe@gmail.com

DATE: 11/27/2024

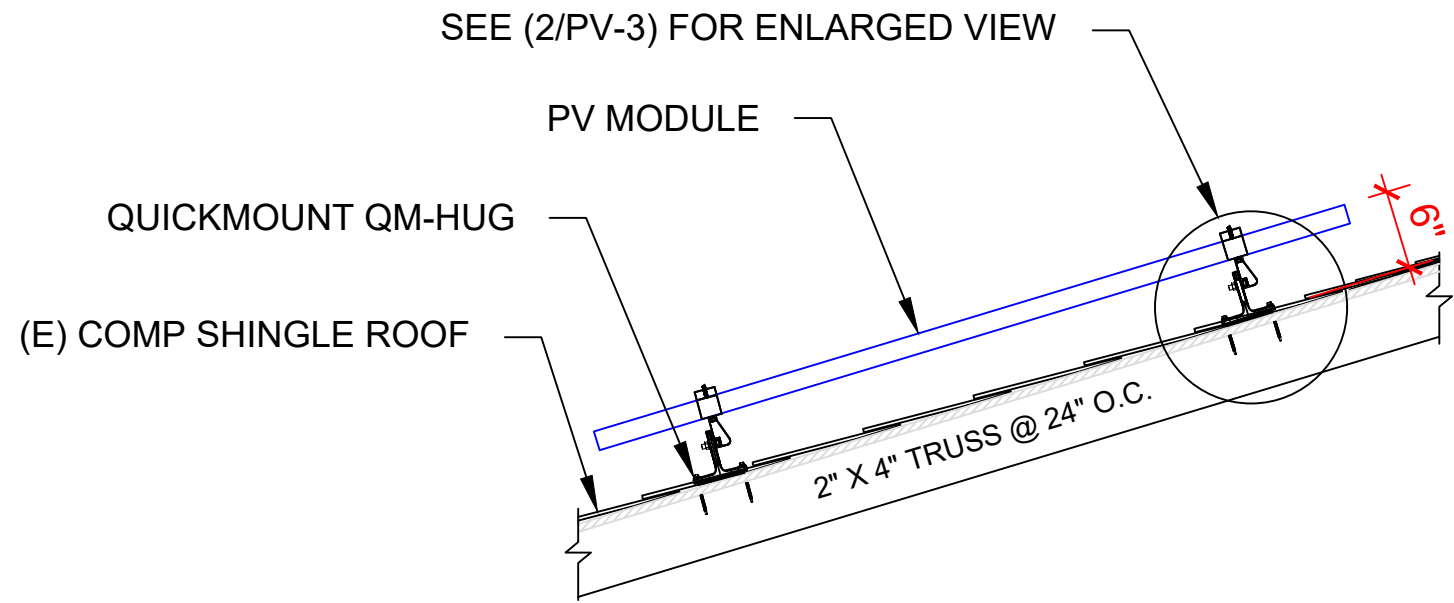
SHEET NAME
ROOF PLAN & MODULES

SHEET SIZE
**ANSI B
 11" X 17"**

SHEET NUMBER
PV-2

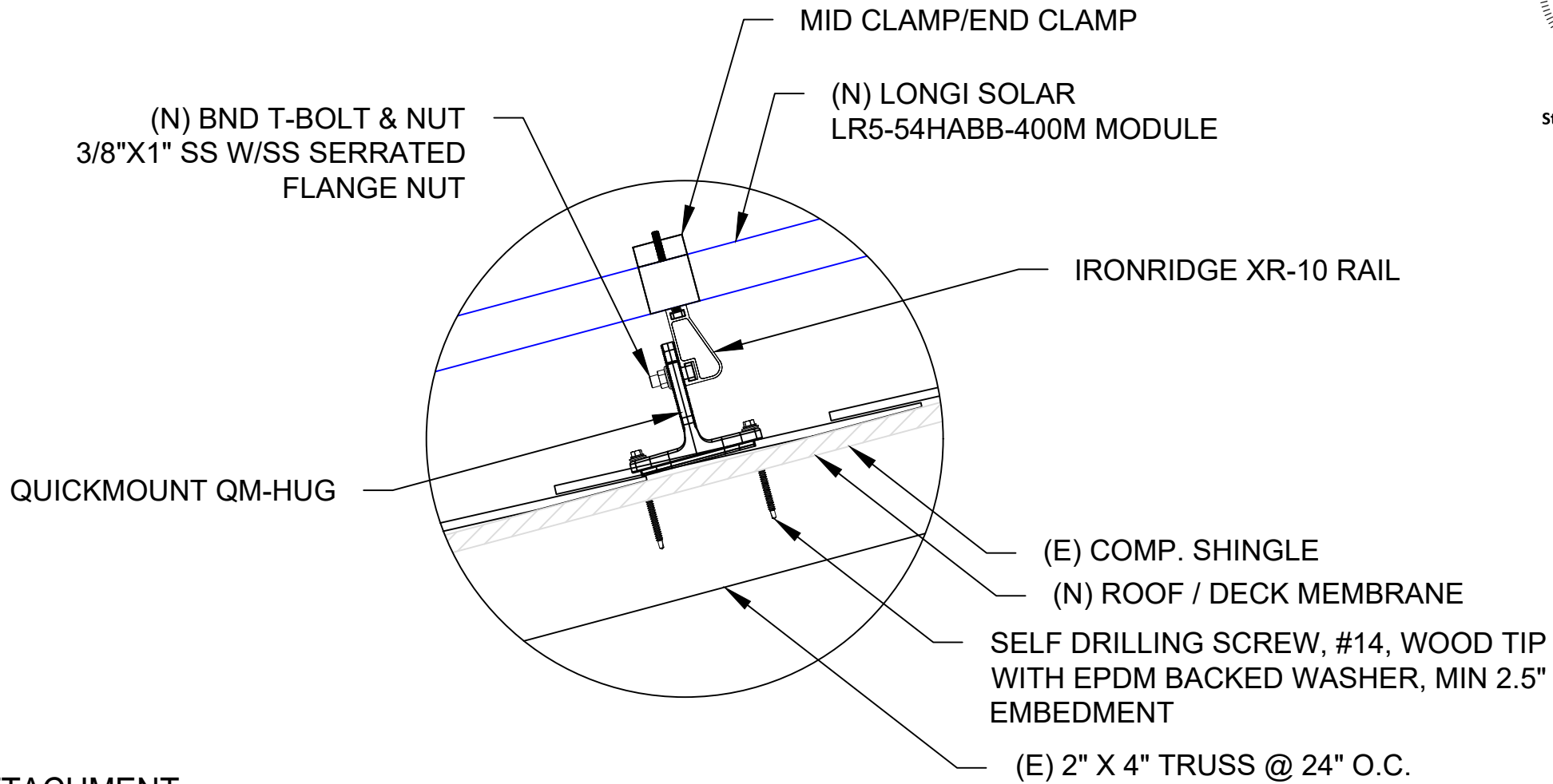


ROOF #1
 TILT - 35°
 AZIM. - 272°



1 ATTACHMENT DETAILS

PV-3



2 ENLARGED VIEW OF ATTACHMENT

PV-3

SCALE: NTS



CAROLINA CONNECTIONS
 422 HUFFMAN MILL ROAD,
 SUITE 105, BURLINGTON,
 NC 27215, UNITED STATES
 PHONE: (336) 585-1314

SYSTEM INFO.	
(28) LONGI SOLAR LR5-54HABB-400M	
(14) DURACELL POWER CENTER SOLAR PV DUAL D700-M2 (240V)	
DC SYSTEM SIZE: 11.200 KWDC	
AC SYSTEM SIZE: 9.744 KWAC	

REVISIONS		
DESCRIPTION	DATE	REV
REVISION	11/21/2024	A
REVISION	11/27/2024	B

Signature with Seal

PROJECT NAME & ADDRESS

BRUCE ROY WOLFE
 RESIDENCE
 40 DAVINHALL DR,
 FUQUAY-VARINA, NC 27526
 PH.# : (919) 394 3610
 Email: 446wolfe@gmail.com

DATE: 11/27/2024

SHEET NAME
**ATTACHMENT
 DETAIL**

SHEET SIZE
**ANSI B
 11" X 17"**

SHEET NUMBER
PV-3

ID	TYPICAL	INITIAL CONDUCTOR LOCATION	FINAL CONDUCTOR LOCATION	CONDUCTOR			CONDUIT	# OF PARALLEL CIRCUITS	CURRENT-CARRYING CONDUCTORS IN CONDUIT	CONDUIT FILL PERCENT	OCPD	EGC		TEMP. CORR. FACTOR		CONDUIT FILL FACTOR	CONT. CURRENT	MAX. CURRENT	BASE AMP.	DERATED AMP.	TERM. TEMP. RATING	LENGTH	VOLTAGE DROP
1	3	ARRAY	JUNCTION BOX	10 AWG	AC CABLE	-	-	1	2	N/A	N/A	6 AWG	BARE COPPER	0.71	(57°C)	N/A	14.50A	18.13A	N/A	N/A	90°C	32FT	0.48%
2	1	JUNCTION BOX	SUBPANEL	10 AWG	THWN-2	COPPER	MIN 0.75" Dia	3	6	26.72%	20A	10 AWG	THWN-2, COPPER	0.96	(35°C)	0.8	14.50A	18.13A	40A	30.7A	75°C	37FT	0.56%
3	1	SUBPANEL	FUSED AC DISCONNECT	6 AWG	THWN-2	COPPER	MIN 0.75" Dia	1	3	31.21%	50A	10 AWG	THWN-2, COPPER	0.96	(35°C)	1	40.60A	50.75A	75A	72.0A	75°C	5FT	0.08%
4	1	FUSED AC DISCONNECT	MAIN SERVICE PANEL	6 AWG	THWN-2	COPPER	MIN 0.75" Dia	1	3	31.21%	50A	10 AWG	THWN-2, COPPER	0.96	(35°C)	1	40.60A	50.75A	75A	72.0A	75°C	5FT	0.08%

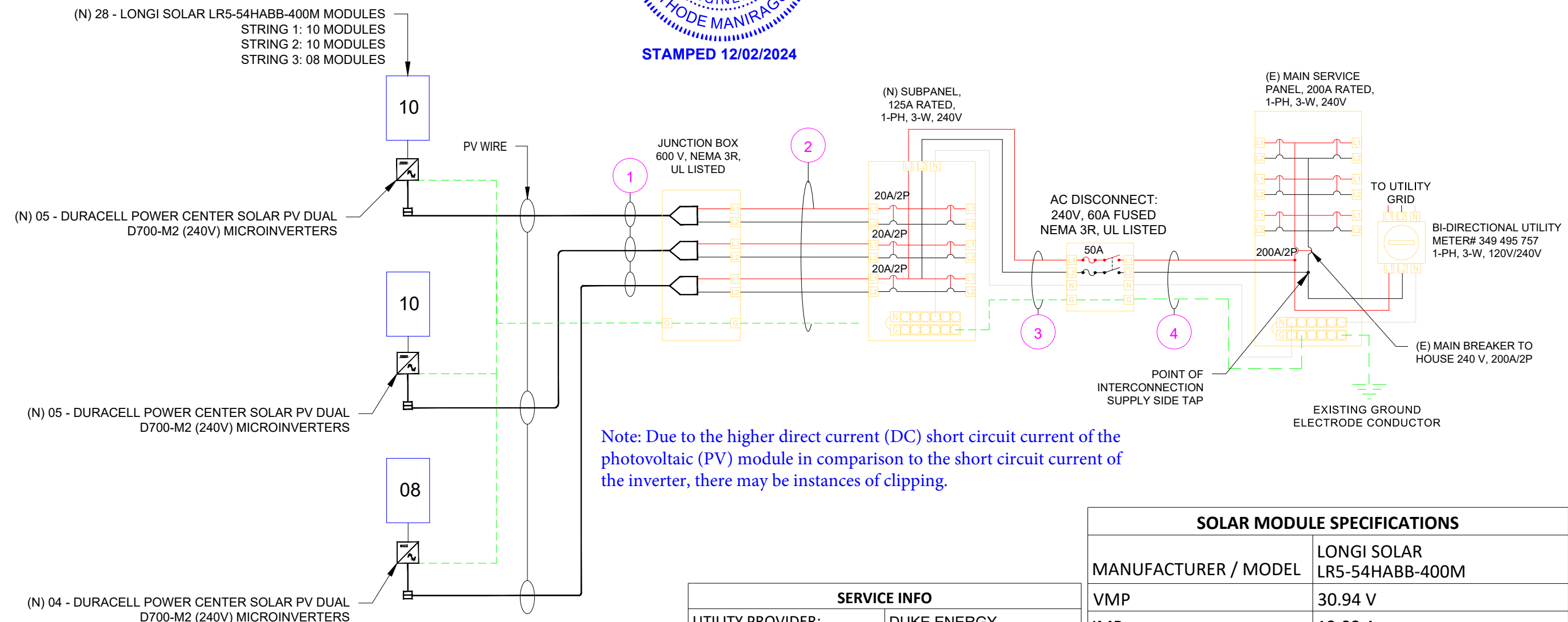


CAROLINA CONNECTIONS
 422 HUFFMAN MILL ROAD,
 SUITE 105, BURLINGTON,
 NC 27215, UNITED STATES
 PHONE: (336) 585-1314

INVERTER SPECIFICATIONS	
MANUFACTURER / MODEL	DURACELL POWER CENTER SOLAR PV DUAL D700-M2 (240V)
MAX DC SHORT CIRCUIT CURRENT	11.5 A
CONTINUOUS OUTPUT CURRENT	2.9A (240V)
MAX CONTINUOUS OUTPUT POWER	696W



SYSTEM INFO.		
(28) LONGI SOLAR LR5-54HABB-400M		
(14) DURACELL POWER CENTER SOLAR PV DUAL D700-M2 (240V)		
DC SYSTEM SIZE: 11.200 KWDC		
AC SYSTEM SIZE: 9.744 KWAC		
REVISIONS		
DESCRIPTION	DATE	REV
REVISION	11/21/2024	A
REVISION	11/27/2024	B



SERVICE INFO	
UTILITY PROVIDER:	DUKE ENERGY
AHJ NAME:	HARNETT COUNTY
MAIN PANEL BRAND:	EATON
MAIN SERVICE PANEL:	200A
MAIN PANEL LOCATION:	NORTH
SERVICE FEED SOURCE:	UNDERGROUND

SOLAR MODULE SPECIFICATIONS	
MANUFACTURER / MODEL	LONGI SOLAR LR5-54HABB-400M
VMP	30.94 V
IMP	12.93 A
VOC	37.05 V
ISC	13.72 A
TEMP. COEFF. VOC	-0.265 %/C
MODULE DIMENSION	67.80" (L) x 44.65" (W)
PANEL WATTAGE	400W

Signature with Seal

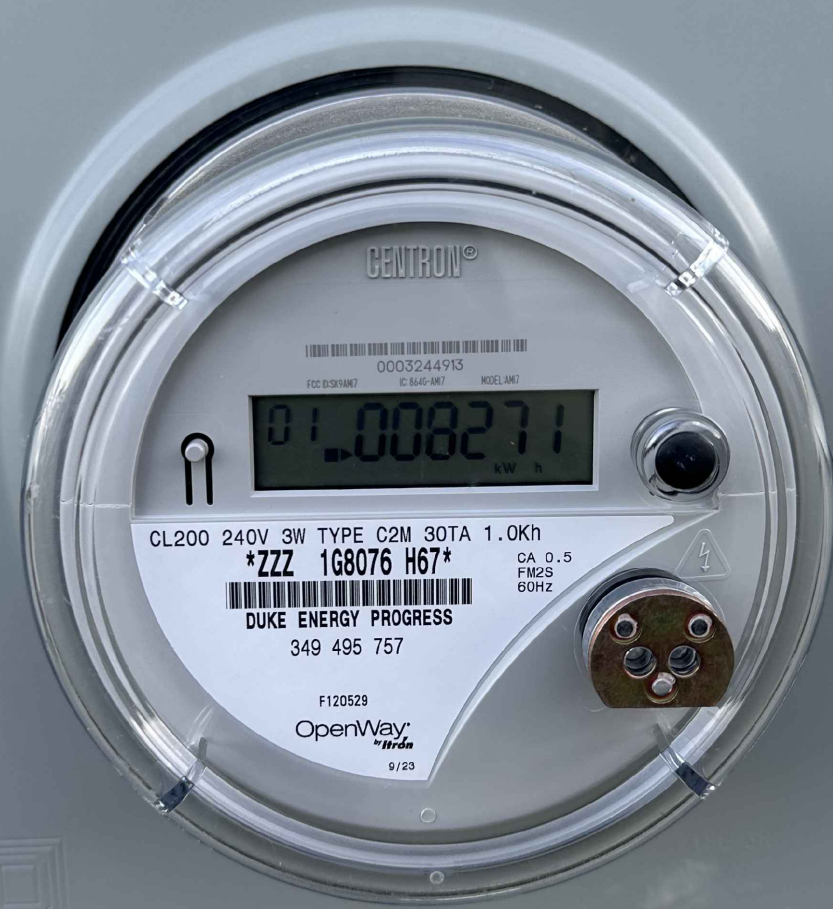
PROJECT NAME & ADDRESS

BRUCE ROY WOLFE
 RESIDENCE
 40 DAVINHALL DR,
 FUQUAY-VARINA, NC 27526
 PH.# : (919) 394 3610
 Email: 446wolfe@gmail.com

DATE: 11/27/2024
SHEET NAME
ELECTRICAL LINE & CALCS.
SHEET SIZE
ANSI B 11" X 17"
SHEET NUMBER
PV-4



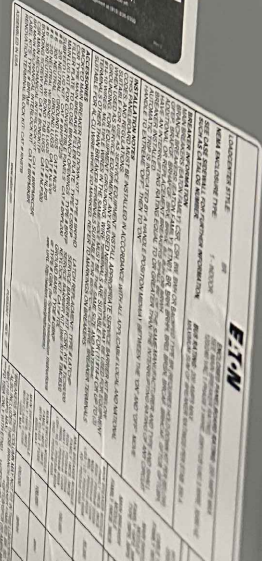
STAMPED 12/02/2024



CL200 240V 3W TYPE C2M 30TA 1.0Kh
 ZZZ 1G8076 H67
 CA 0.5
 FM2S
 60HZ
 DUKE ENERGY PROGRESS
 349 495 757
 F120529
 OpenWay
 9/23

WARNING
 HAZARD OF ELECTRICAL
 SHOCK OR BURN
 DO NOT BREAK SEAL
 CONTACT UTILITY
 FOR SERVICE

1	2
3	4
5	6
7	8
9	10
11	12
13	14
15	16
17	18
19	20
21	22
23	24
25	26
27	28
29	30
31	32
33	34
35	36
37	38
39	40
41	42



CAROLINA CONNECTIONS
 422 HUFFMAN MILL ROAD,
 SUITE 105, BURLINGTON,
 NC 27215, UNITED STATES
 PHONE: (336) 585-1314

SYSTEM INFO.

(28) LONGI SOLAR
 LR5-54HABB-400M
 (14) DURACELL POWER CENTER
 SOLAR PV DUAL D700-M2 (240V)
 DC SYSTEM SIZE: 11.200 KWDC
 AC SYSTEM SIZE: 9.744 KWAC

REVISIONS

DESCRIPTION	DATE	REV
REVISION	11/21/2024	A
REVISION	11/27/2024	B

Signature with Seal

PROJECT NAME & ADDRESS

BRUCE ROY WOLFE
 RESIDENCE
 40 DAVINHALL DR,
 FUQUAY-VARINA, NC 27526
 PH.# : (919) 394 3610
 Email: 446wolfe@gmail.com

DATE: 11/27/2024

SHEET NAME
**ELECTRICAL
 PHOTOS**

SHEET SIZE

**ANSI B
 11" X 17"**

SHEET NUMBER

PV-5

SOLAR MODULE SPECIFICATIONS	
MANUFACTURER / MODEL	LONGI SOLAR LR5-54HABB-400M
VMP	30.94 V
IMP	12.93 A
VOC	37.05 V
ISC	13.72 A
TEMP. COEFF. VOC	-0.265 %/C
MODULE DIMENSION	67.80" (L) x 44.65" (W)
PANEL WATTAGE	400W

INVERTER SPECIFICATIONS	
MANUFACTURER / MODEL	DURACELL POWER CENTER SOLAR PV DUAL D700-M2 (240V)
MAX DC SHORT CIRCUIT CURRENT	11.5 A
CONTINUOUS OUTPUT CURRENT	2.9A (240V)

AMBIENT TEMPERATURE SPECS	
RECORD LOW TEMP	-10°C
AMBIENT TEMP (HIGH TEMP 2%)	35°C
CONDUIT HEIGHT	7/8"
ROOF TOP TEMP	90°C
CONDUCTOR TEMPERATURE RATE	57°C
MODULE TEMPERATURE COEFFICIENT OF VOC	-0.265 %/C

PERCENT OF VALUES	NUMBER OF CURRENT CARRYING CONDUCTORS IN EMT
0.80	4-6
0.70	7-9
0.50	10-20

Voltage rise from the Microinverters to the Junction Box

For branch circuit #1 of 05 D700-M2 Micros, the voltage rise on the 240 VAC AC Cable is 0.48%
 For branch circuit #2 of 05 D700-M2 Micros, the voltage rise on the 240 VAC AC Cable is 0.48%
 For branch circuit #3 of 04 D700-M2 Micros, the voltage rise on the 240 VAC AC Cable is 0.31%

Voltage rise from the Junction Box to the Subpanel

$VRise = (\text{amps/inverter} \times \text{number of inverters}) \times (\text{resistance in } \Omega/\text{ft}) \times (2\text{-way wire length in ft})$
 $= (2.9 \text{ amp} \times 5) \times (0.00129 \Omega/\text{ft}) \times (36 \text{ ft} \times 2)$
 $= 14.50 \text{ amps} \times 0.00129 \Omega/\text{ft} \times 72 \text{ ft}$
 $= 1.35 \text{ volts}$
 $\%VRise = 1.35 \text{ volts} \div 240 \text{ volts} = 0.56\%$

The voltage rise from the Junction Box to the Subpanel is 0.56%

Voltage rise from the Subpanel to Fused AC Disconnect

$VRise = (\text{amps/inverter} \times \text{number of inverters}) \times (\text{resistance in } \Omega/\text{ft.}) \times (2\text{-way wire length in ft.})$
 $= (2.9 \text{ amp} \times 14) \times (0.000491 \Omega/\text{ft}) \times (5 \text{ ft.} \times 2)$
 $= 40.60 \text{ amps} \times 0.000491 \Omega/\text{ft} \times 10 \text{ ft.}$
 $= 0.20 \text{ volts}$
 $\%VRise = 0.20 \text{ volts} \div 240 \text{ volts} = 0.08\%$

The voltage rise from the Subpanel to the Fused AC Disconnect is 0.08%

Voltage rise from the Fused AC Disconnect to Main Service Panel

$VRise = (\text{amps/inverter} \times \text{number of inverters}) \times (\text{resistance in } \Omega/\text{ft.}) \times (2\text{-way wire length in ft.})$
 $= (2.9 \text{ amp} \times 14) \times (0.000491 \Omega/\text{ft}) \times (5 \text{ ft.} \times 2)$
 $= 40.60 \text{ amps} \times 0.000491 \Omega/\text{ft} \times 10 \text{ ft.}$
 $= 0.20 \text{ volts}$
 $\%VRise = 0.20 \text{ volts} \div 240 \text{ volts} = 0.08\%$

The voltage rise from the Fused AC Disconnect to the Main Service Panel is 0.08%

Total system voltage rise for all wire sections

$0.48\% + 0.56\% + 0.08\% + 0.08\% = 1.20\%$



STAMPED 12/02/2024



CAROLINA CONNECTIONS
 422 HUFFMAN MILL ROAD,
 SUITE 105, BURLINGTON,
 NC 27215, UNITED STATES
 PHONE: (336) 585-1314

SYSTEM INFO.	
(28) LONGI SOLAR LR5-54HABB-400M	
(14) DURACELL POWER CENTER SOLAR PV DUAL D700-M2 (240V)	
DC SYSTEM SIZE: 11.200 KWDC	
AC SYSTEM SIZE: 9.744 KWAC	

REVISIONS		
DESCRIPTION	DATE	REV
REVISION	11/21/2024	A
REVISION	11/27/2024	B

Signature with Seal

PROJECT NAME & ADDRESS

BRUCE ROY WOLFE
 RESIDENCE
 40 DAVINHALL DR,
 FUQUAY-VARINA, NC 27526
 PH.# : (919) 394 3610
 Email: 446wolfe@gmail.com

DATE: 11/27/2024
SHEET NAME SPECIFICATIONS & CALC.
SHEET SIZE ANSI B 11" X 17"
SHEET NUMBER PV-6

1

⚠ WARNING
ELECTRIC SHOCK HAZARD
 TERMINALS ON BOTH LINE AND LOAD SIDES
 MAY BE ENERGIZED IN THE OPEN POSITION

LABEL LOCATION:
 MAIN SERVICE PANEL/AC DISCONNECT/AC COMBINER
 (PER CODE: NEC 2017 690.13(B))

2

WARNING: PHOTOVOLTAIC POWER SOURCE

LABEL LOCATION:
 DC CONDUIT
 EVERY 10' AND ON CONDUIT BODIES WHEN EXPOSED
 (PER CODE: NEC2017 690.31(G)(3)(4))

3

PHOTOVOLTAIC SYSTEM AC DISCONNECT
 RATED AC OUTPUT CURRENT 40.60 AMPS
 NOMINAL OPERATING AC VOLTAGE 240 VOLTS

LABEL LOCATION:
 MAIN SERVICE PANEL/AC DISCONNECT
 NEC2017, 690.53

4

**RAPID SHUTDOWN SWITCH
 FOR SOLAR PV SYSTEM**

LABEL LOCATION:
 INVERTER
 AT OR WITHIN 3' OF THE AC/DC COMBINER SWITCH
 PER CODE: NEC 690.58(C)(3)

5

⚠ CAUTION
DUAL POWER SOURCE
SECOND SOURCE IS
PHOTOVOLTAIC SYSTEM

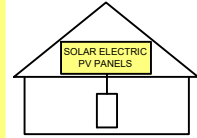
LABEL LOCATION:
 MAIN SERVICE PANEL/AC DISCONNECT/AC
 COMBINER/REVENUE METER
 2017 NEC 705.12(B)(3)

ADHESIVE FASTENED SIGNS:
 • ANSI Z535.4-2011 PRODUCT SAFETY SIGNS AND LABELS, PROVIDES GUIDELINES FOR SUITABLE FONT SIZES, WORDS, COLORS, SYMBOLS, AND LOCATION REQUIREMENTS FOR LABELS. NEC 110.21(B)(1).
 • THE LABEL SHALL BE OF SUFFICIENT DURABILITY TO WITHSTAND THE ENVIRONMENT INVOLVED. NEC 110.21(B)(3).
 • ADHESIVE FASTENED SIGNS MAY BE ACCEPTABLE IF PROPERLY ADHERED. VINYL SIGNS SHALL BE WEATHER RESISTANT.

6

**SOLAR PV SYSTEM EQUIPPED
 WITH RAPID SHUTDOWN**

TURN RAPID SHUTDOWN SWITCH TO THE "OFF" POSITION TO SHUT DOWN PV SYSTEM AND REDUCE SHOCK HAZARD IN THE ARRAY



MAIN SERVICE PANEL
 IF MSD IS OUTSIDE PLACE IT THERE / IF
 MSD IS INSIDE PLACE ON THE AC DISCONNECT
 PER CODE: NEC 690.56(C)(1)

7

**PHOTOVOLTAIC SYSTEM
 UTILITY DISCONNECT SWITCH**

LABEL LOCATION:
 AC DISCONNECT
 2017 NEC 690.56(C)(3)

8

SERVICE DISCONNECT

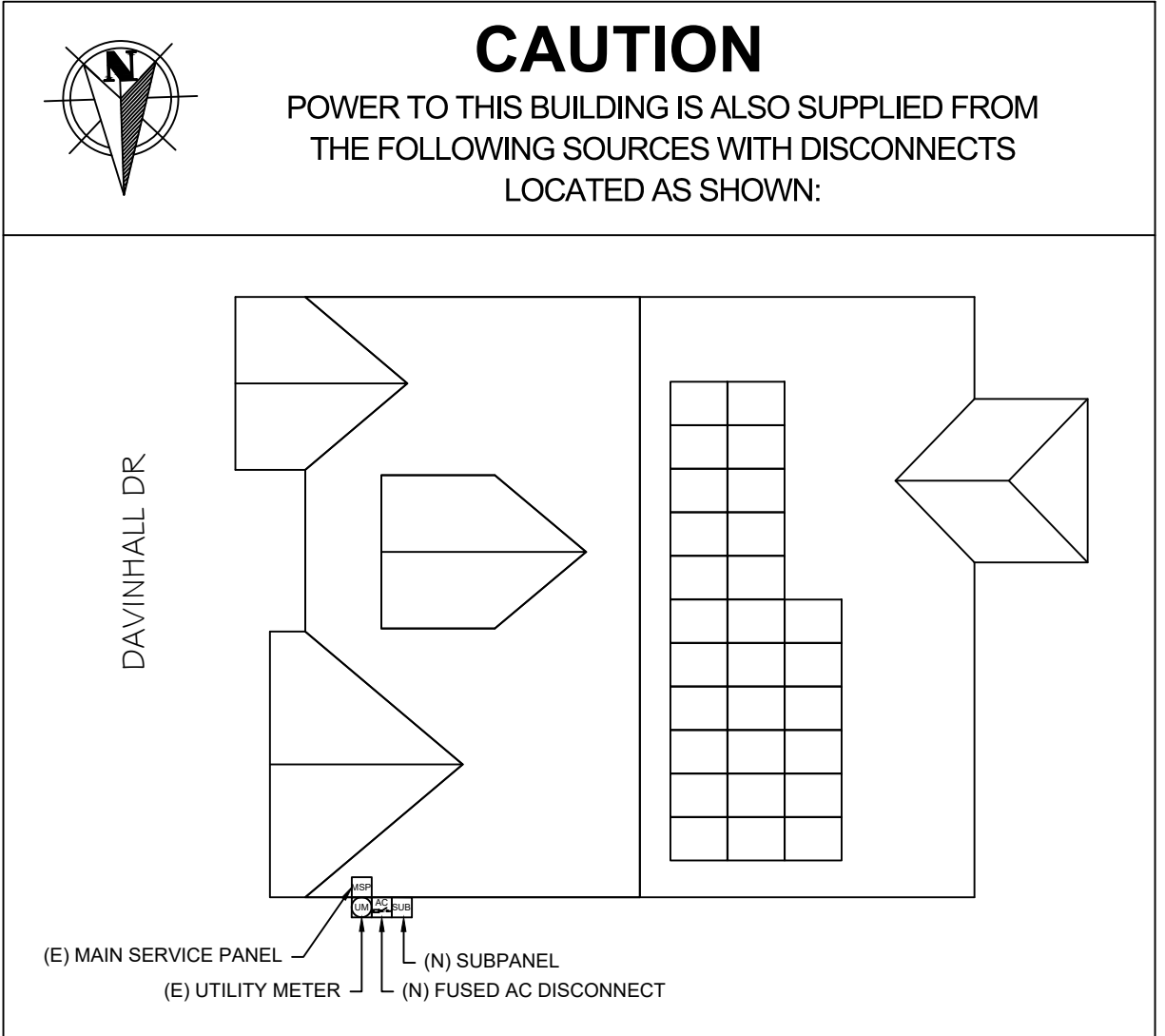
**SECTIONNEUR
 PRINCIPALE**

**SERVICIO DE
 DESCONEXION**

LABEL LOCATION:
 AC DISCONNECT
 2017 NEC 230.66



STAMPED 12/02/2024



CAROLINA CONNECTIONS
 422 HUFFMAN MILL ROAD,
 SUITE 105, BURLINGTON,
 NC 27215, UNITED STATES
 PHONE: (336) 585-1314

SYSTEM INFO.

(28) LONGI SOLAR
LR5-54HABB-400M
(14) DURACELL POWER CENTER
SOLAR PV DUAL D700-M2 (240V)
DC SYSTEM SIZE: 11.200 KWDC
AC SYSTEM SIZE: 9.744 KWAC

REVISIONS

DESCRIPTION	DATE	REV
REVISION	11/21/2024	A
REVISION	11/27/2024	B

Signature with Seal

PROJECT NAME & ADDRESS

BRUCE ROY WOLFE
RESIDENCE
 40 DAVINHALL DR,
 FUQUAY-VARINA, NC 27526
 PH.# : (919) 394 3610
 Email: 446wolfe@gmail.com

DATE: 11/27/2024

SHEET NAME
SIGNAGE

SHEET SIZE
**ANSI B
 11" X 17"**

SHEET NUMBER
PV-7

Hi-MO 5

LR5-54HABB 390~415M

- Suitable for distributed projects
- Advanced module technology delivers superior module efficiency
 - M10 Gallium-doped Wafer • Integrated Segmented Ribbons • 9-busbar Half-cut Cell
- Globally validated bifacial energy yield
- High module quality ensures long-term reliability

25 25-year Warranty for Materials and Processing

30 30-year Warranty for Extra Linear Power Output

Complete System and Product Certifications

IEC 61215, IEC 61730, UL 61730
 ISO9001:2015: ISO Quality Management System
 ISO14001: 2015: ISO Environment Management System
 ISO45001: 2018: Occupational Health and Safety
 IEC62941: Guideline for module design qualification and type approval

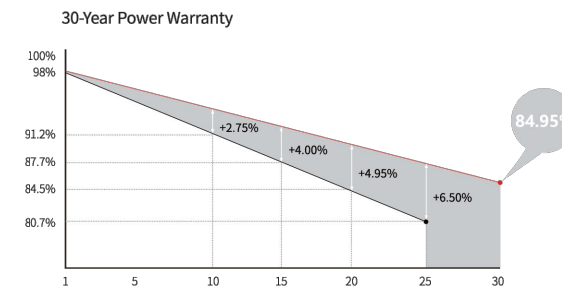
LONGI



Hi-MO 5

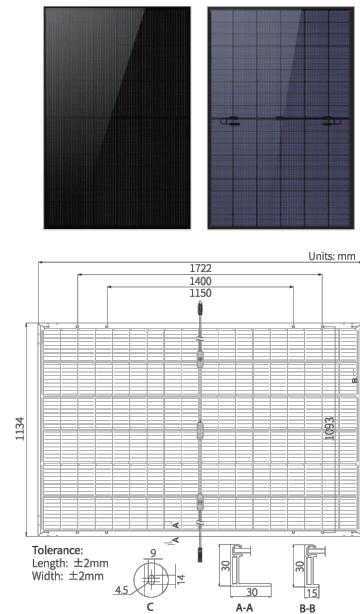
21.3% MAX MODULE EFFICIENCY	0~3% POWER TOLERANCE	<2% FIRST YEAR POWER DEGRADATION	0.45% YEAR 2-30 POWER DEGRADATION	HALF-CELL Lower operating temperature
---------------------------------------	--------------------------------	---	---	---

Additional Value



Mechanical Parameters

Cell Orientation	108 (6×18)
Junction Box	IP68, three diodes
Output Cable	4mm ² , ±1200mm length can be customized
Glass	Dual glass, 2.0+1.6mm heat strengthened glass
Frame	Anodized aluminum alloy frame
Weight	22.5kg
Dimension	1722×1134×30mm
Packaging	36pcs per pallet / 216pcs per 20' GP / 936pcs or 792pcs(Only for USA) per 40' HC



Electrical Characteristics

Module Type	STC : AM1.5 1000W/m ² 25°C				NOCT : AM1.5 800W/m ² 20°C 1m/s				Test uncertainty for Pmax : ±3%			
	LR5-54HABB-390M	LR5-54HABB-395M	LR5-54HABB-400M	LR5-54HABB-405M	LR5-54HABB-410M	LR5-54HABB-415M	STC	NOCT	STC	NOCT	STC	NOCT
Testing Condition	STC	NOCT	STC	NOCT	STC	NOCT	STC	NOCT	STC	NOCT	STC	NOCT
Maximum Power (Pmax/W)	390	291.5	395	295.2	400	299.0	405	302.7	410	306.5	415	310.2
Open Circuit Voltage (Voc/V)	36.58	34.39	36.81	34.61	37.05	34.84	37.29	35.06	37.53	35.29	37.77	35.51
Short Circuit Current (Isc/A)	13.57	10.95	13.65	11.01	13.72	11.07	13.79	11.13	13.87	11.19	13.94	11.25
Voltage at Maximum Power (Vmp/V)	30.47	28.43	30.70	28.64	30.94	28.86	31.18	29.09	31.42	29.31	31.66	29.54
Current at Maximum Power (Imp/A)	12.80	10.26	12.87	10.31	12.93	10.36	12.99	10.41	13.05	10.45	13.11	10.50
Module Efficiency(%)	20.0		20.2		20.5		20.7		21.0		21.3	

Electrical characteristics with different rear side power gain (reference to 400W front)

Pmax/W	Voc/V	Isc/A	Vmp/V	Imp/A	Pmax gain
420	37.05	14.41	30.94	13.58	5%
440	37.05	15.09	30.94	14.22	10%
460	37.15	15.78	31.04	14.87	15%
480	37.15	16.46	31.04	15.52	20%
500	37.15	17.15	31.04	16.16	25%

Operating Parameters

Operational Temperature	-40°C ~ +85°C
Power Output Tolerance	0 ~ 3%
Voc and Isc Tolerance	±3%
Maximum System Voltage	DC1500V (IEC/UL)
Maximum Series Fuse Rating	30A
Nominal Operating Cell Temperature	45±2°C
Protection Class	Class II
Bifaciality	70±5%
Fire Rating	UL Similar type 38 * IEC Class C

*Reference Standard: UL61730 Second Edition, Dated October 28, 2022

Mechanical Loading

Front Side Maximum Static Loading	5400Pa
Rear Side Maximum Static Loading	2400Pa
Hailstone Test	25mm Hailstone at the speed of 23m/s

Temperature Ratings (STC)

Temperature Coefficient of Isc	+0.050%/°C
Temperature Coefficient of Voc	-0.265%/°C
Temperature Coefficient of Pmax	-0.340%/°C

LONGI

No.8369 Shangyuan Road, Xi'an Economic And Technological Development Zone, Xi'an, Shaanxi, China.
 Web: www.longi.com

Specifications included in this datasheet are subject to change without notice. LONGI reserves the right of final interpretation. (20230115V17) Only for North America



CAROLINA CONNECTIONS
 422 HUFFMAN MILL ROAD,
 SUITE 105, BURLINGTON,
 NC 27215, UNITED STATES
 PHONE: (336) 585-1314

SYSTEM INFO.

(28) LONGI SOLAR
 LR5-54HABB-400M
 (14) DURACELL POWER CENTER
 SOLAR PV DUAL D700-M2 (240V)
 DC SYSTEM SIZE: 11.200 KWDC
 AC SYSTEM SIZE: 9.744 KWAC

REVISIONS

DESCRIPTION	DATE	REV
REVISION	11/21/2024	A
REVISION	11/27/2024	B

Signature with Seal

PROJECT NAME & ADDRESS

BRUCE ROY WOLFE
 RESIDENCE
 40 DAVINHALL DR,
 FUQUAY-VARINA, NC 27526
 PH.# : (919) 394 3610
 Email: 446wolfe@gmail.com

DATE: 11/27/2024

SHEET NAME
EQUIPMENT SPECIFICATION

SHEET SIZE

**ANSI B
 11" X 17"**

SHEET NUMBER

PV-8



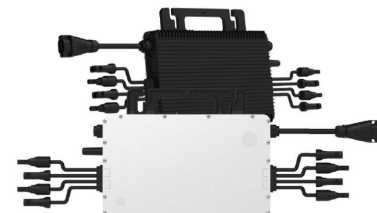
Single



Dual



Quad



Fast, Easy & Flexible Installation

Duracell Power Center's family of single, dual, and quad microinverters delivers the lowest cost, highest yield per panel PV installation.

The AC trunk cable format permits any combination of the three models to optimize even the most complex rooftop installations.

Reactive Power Control
CA Rule 21 compliant

Compliant with U.S.
NEC-2017 & NEC-2020
690.12 rapid shutdown

High reliability: NEMA 6
(IP67) enclosure, 6000V
surge protection

Technical Data

Model	D350-M1	D700-M2	D1500-M4			
Input Data (DC)						
Number of PV inputs	1	2	4			
Module power range, typical (W)	280 to 470+	280 to 470+	300 to 505+			
Maximum input voltage (V)	60					
MPPT voltage range (V)	16-60					
Start-up voltage (V)	22					
Maximum input current (A)	11.5					
Output Data (AC)						
Peak output power (VA)	350	700	1500	1350		
Maximum continuous output power (VA)	349	696	1438	1246		
Maximum continuous output current (A)	1.45	1.68	2.9	3.35	5.99	5.99
Nominal output voltage (V)	240	208	240	208	240	208
Nominal output voltage range1 (V)	211-264	183-228	211-264	183-228	211-264	183-228
Nominal frequency/range1 (Hz)	60/55-65					
Power factor (adjustable)	>0.99 default (0.8 lead to 0.8 lag)					
Total harmonic distortion	<3%					
Maximum units per branch2 (10 AWG)	16	14	8	7	4	4
Efficiency						
CEC peak efficiency (%)			96.7			
CEC weighted efficiency (%)			96.5			
Nominal MPPT efficiency (%)			99.8			
Nighttime power consumption (mW)			<50			
Mechanical Data						
Ambient temperature range (°C)			-40 to +65			
Dimensions (W x H x D) mm	182 x 164 x 29.5	250 x 170 x 28	280 x 176 x 33			
Weight (kg)	1.75	2.6	3.35			
Enclosure rating	Outdoor NEMA 6					
Cooling	Natural convection - no fans					
Features						
Communication	2.4 GHz proprietary RF (Nordic)					
Monitoring	Yes					
Warranty	Up to 25 years					
Compliance	UL 1741, IEEE 1547, UL 1741 SA (240 Vac), CA Rule 21 (240 Vac), CSA C22.2 No. 107.1-16, FCC Part 15B, FCC Part 15C					
PV Rapid Shutdown	Conforms with NEC-2017 and NEC-2020 Article 690.12 and CEC-2021 Sec 64-218 Rapid Shutdown of PV Systems					

*1. Nominal voltage/frequency range can vary depending on local requirements.

*2. Refer to local requirements for exact number of microinverters per branch.



CAROLINA CONNECTIONS
422 HUFFMAN MILL ROAD,
SUITE 105, BURLINGTON,
NC 27215, UNITED STATES
PHONE: (336) 585-1314

SYSTEM INFO.

(28) LONGI SOLAR
LR5-54HAB-400M
(14) DURACELL POWER CENTER
SOLAR PV DUAL D700-M2 (240V)
DC SYSTEM SIZE: 11.200 KWDC
AC SYSTEM SIZE: 9.744 KWAC

REVISIONS

DESCRIPTION	DATE	REV
REVISION	11/21/2024	A
REVISION	11/27/2024	B

Signature with Seal

PROJECT NAME & ADDRESS

BRUCE ROY WOLFE
RESIDENCE
40 DAVINHALL DR,
FUQUAY-VARINA, NC 27526
PH.# : (919) 394 3610
Email: 446wolfe@gmail.com

DATE: 11/27/2024

SHEET NAME
**EQUIPMENT
SPECIFICATION**

SHEET SIZE

**ANSI B
11" X 17"**

SHEET NUMBER

PV-9



Tech Brief

QuickMount® HUG

The Respect Your Roof Deserves

When integrating with a home, solar attachments must be dependable for the lifetime of the rooftop. Due to recent innovations, many asphalt shingles have bonded courses. A mount that protects without the need to pry shingles can really speed things up.

Halo UltraGrip™ (HUG™) is here to respect the roof. Its Halo is a cast-aluminum barrier that encases the UltraGrip, our industrial-grade, foam-and-mastic seal. This allows HUG to accelerate the installation process and provide the utmost in waterproofing protection. Give your roof a HUG.™

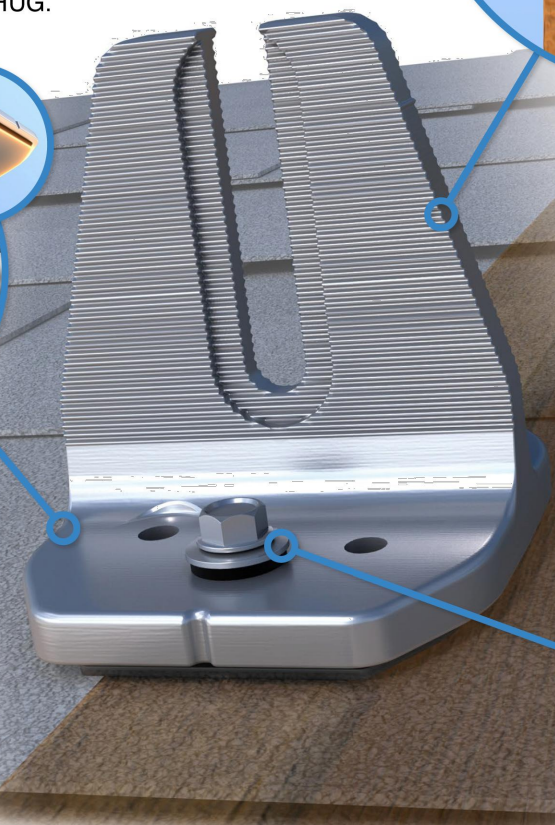


Multi-Tiered Waterproofing
HUG utilizes a multi-tiered stack of components to provide revolutionary waterproofing protection. The Halo cast-aluminum, raised-perimeter foundation surrounds the UltraGrip base—a foam-backed mastic seal combination that prevents water intrusion by adhering and sealing with the shingle surface.

Halo UltraGrip™ is part of the QuickMount® product line.

UltraGrip™ Seal Technology

HUG UltraGrip utilizes a state-of-the-art seal design that uses a unique, foam-and-mastic combination. The foam-backed adhesive provides an entirely new flashing system that conforms and adheres to every nook and cranny of composition shingles, filling gaps and shingle step-downs (up to 1/8" in height).

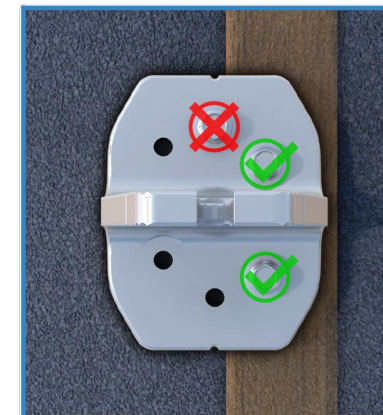


Adaptive, Rafter-Friendly Installation



Hit the rafter? Good to go!

When you find a rafter, you can move on. Only 2 RD Structural Screws are needed.



Miss the rafter? Try it again.

Place another screw to the left or right. If rafter is found, install 3rd and final screw.



Still no luck? Install the rest.

If more than 3 screws miss the rafter, secure six screws to deck mount it.

Trusted Strength & Less Hassle



25-Year Warranty
Product guaranteed free of impairing defects.

Structural capacities of HUG™ were reviewed in many load directions, with racking rail running cross-slope or up-slope in relation to roof pitch.

For further details, see the HUG certification letters for attaching to rafters and decking.

IronRidge designed the HUG, in combination with the RD Structural Screw to streamline installs, which means the following:

- No prying shingles
- No roof nail interference
- No pilot holes necessary
- No sealant (in most cases)
- No butyl shims needed

Attachment Loading

The rafter-mounted HUG has been tested and rated to support 1004 (lbs) of uplift and 368 (lbs) of lateral load.

Structural Design

Parts are designed and certified for compliance with the International Building Code & ASCE/SEI-7.

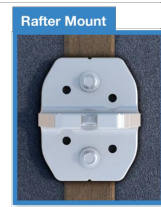
Water Seal Ratings

HUG passed both the UL 441 Section 27 "Rain Test" and TAS 100(A)-95 "Wind Driven Rain Test" by Intertek.

UL 2703 System

Systems conform to UL 2703 mechanical and bonding requirements. See Flush Mount Manual for more info.

Triple Rated & Certified to Respect the Roof™
UL 2703, 441 (27)
TAS 100(A)-95



Rafter & Deck Mounting Options

Mount HUG to the roof rafters, the roof deck, or both with our custom-engineered RD (rafter-or-deck) Structural Screw. The RD Structural Screw anchors HUG to the roof with an EPDM sealing washer, completing the stack of waterproofing barriers. See backside for more installation information.

Tech Brief



CAROLINA CONNECTIONS
422 HUFFMAN MILL ROAD,
SUITE 105, BURLINGTON,
NC 27215, UNITED STATES
PHONE: (336) 585-1314

SYSTEM INFO.		
(28) LONGI SOLAR		
LR5-54HABB-400M		
(14) DURACELL POWER CENTER		
SOLAR PV DUAL D700-M2 (240V)		
DC SYSTEM SIZE: 11.200 KWDC		
AC SYSTEM SIZE: 9.744 KWAC		

REVISIONS		
DESCRIPTION	DATE	REV
REVISION	11/21/2024	A
REVISION	11/27/2024	B

Signature with Seal

PROJECT NAME & ADDRESS

BRUCE ROY WOLFE
RESIDENCE
40 DAVINHALL DR,
FUQUAY-VARINA, NC 27526
PH.# : (919) 394 3610
Email: 446wolfe@gmail.com

DATE: 11/27/2024

SHEET NAME
EQUIPMENT SPECIFICATION

SHEET SIZE

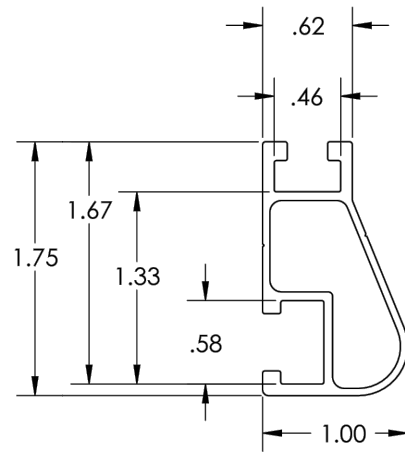
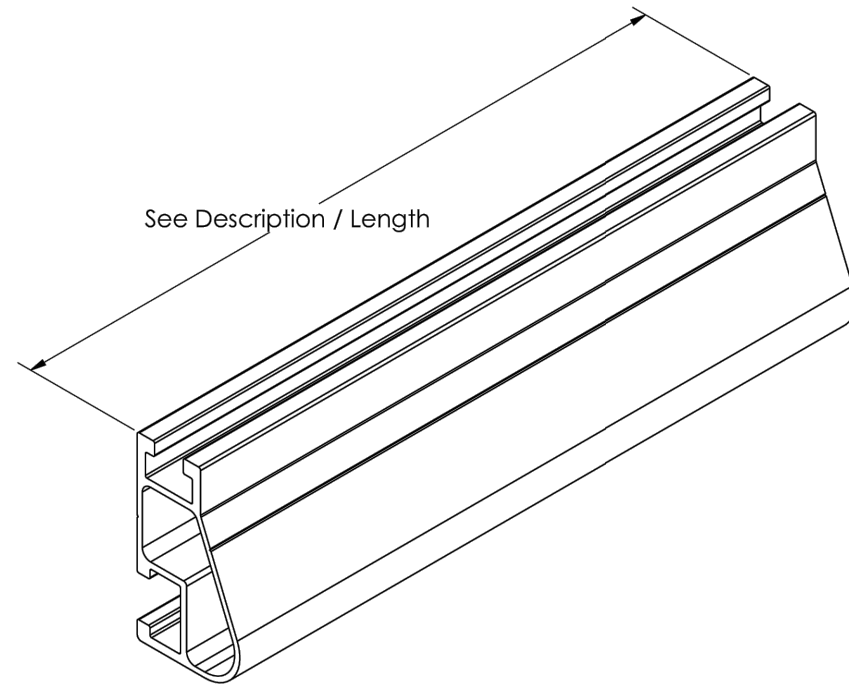
ANSI B
11" X 17"

SHEET NUMBER

PV-10



XR10® Rail



Rail Section Properties	
Property	Value
Total Cross-Sectional Area	0.363 in ²
Section Modulus (X-axis)	0.136 in ³
Moment of Inertia (X-axis)	0.124 in ⁴
Moment of Inertia (Y-axis)	0.032 in ⁴
Torsional Constant	0.076 in ³
Polar Moment of Inertia	0.033 in ⁴

Clear Part Number	Black Part Number	Description / Length	Material	Weight
XR-10-132A	XR-10-132B	XR10, Rail 132" (11 Feet)	6000-Series Aluminum	4.67 lbs.
XR-10-168A	XR-10-168B	XR10, Rail 168" (14 Feet)		5.95 lbs.
XR-10-204A	XR-10-204B	XR10, Rail 204" (17 Feet)		7.22 lbs.

v1.01



CAROLINA CONNECTIONS
 422 HUFFMAN MILL ROAD,
 SUITE 105, BURLINGTON,
 NC 27215, UNITED STATES
 PHONE: (336) 585-1314

SYSTEM INFO.

(28) LONGI SOLAR
 LR5-54HABB-400M
 (14) DURACELL POWER CENTER
 SOLAR PV DUAL D700-M2 (240V)
 DC SYSTEM SIZE: 11.200 KWDC
 AC SYSTEM SIZE: 9.744 KWAC

REVISIONS

DESCRIPTION	DATE	REV
REVISION	11/21/2024	A
REVISION	11/27/2024	B

Signature with Seal

PROJECT NAME & ADDRESS

BRUCE ROY WOLFE
 RESIDENCE
 40 DAVINHALL DR,
 FUQUAY-VARINA, NC 27526
 PH.# : (919) 394 3610
 Email: 446wolfe@gmail.com

DATE: 11/27/2024

SHEET NAME

**EQUIPMENT
 SPECIFICATION**

SHEET SIZE

**ANSI B
 11" X 17"**

SHEET NUMBER

PV-11