

**SCOPE OF WORK:**

TO INSTALL A ROOF MOUNTED SOLAR PHOTOVOLTAIC SYSTEM AT THE OWNER RESIDENCE LOCATED AT 406, PLACID POND DR, BROADWAY, NC 27505 THE POWER GENERATED BY THE PV SYSTEM WILL BE INTERCONNECTED WITH THE UTILITY GRID THROUGH THE EXISTING ELECTRICAL SERVICE EQUIPMENT.  
THE PV SYSTEM DOES NOT INCLUDE STORAGE BATTERIES

**EQUIPMENT SUMMARY**

19 LONGI SOLAR LR5-54HABB-400M MODULES

10 DURACELL POWER CENTER SOLAR PV DUAL D700-M2 (240V) MICROINVERTERS

**SYSTEM RATING**

7.600 KWDC

6.960 KWAC

**GENERAL NOTES:**

- THESE CONSTRUCTION DOCUMENTS HAVE BEEN BASED ON FIELD INSPECTIONS AND OTHER INFORMATION AVAILABLE AT THE TIME. ACTUAL FIELD CONDITIONS MAY REQUIRE MODIFICATIONS IN CONSTRUCTION DETAILS.
- ARCHITECT HAS NOT BEEN RETAINED TO SUPERVISE ANY CONSTRUCTION OR INSTALLATION OF ANY EQUIPMENT AT SITE.
- CONTRACTOR SHALL FURNISH ALL LABOR, MATERIAL, EQUIPMENT, TOOLS, OBTAINS ALL PERMITS, LICENSES AND PAY ALL REQUIRED FEES AND COMPLETE INSTALLATION.
- CONTRACTOR HAS THE FULL RESPONSIBILITY TO CHECK AND VERIFY ALL DIMENSIONS AND EXISTING CONDITIONS. ANY DISCREPANCIES SHALL BE REPORTED TO THE ENGINEER BEFORE PROCEEDING WITH THE WORK. ANY WORK STARTED BEFORE CONSULTATION AND ACCEPTANCE BY THE ENGINEER SHALL BE THE SOLE RESPONSIBILITY OF THE CONTRACTOR AND SHALL BE SUBJECT TO CORRECTION BY THEM WITHOUT ADDITIONAL COMPENSATION.
- DAMAGE CAUSED TO THE EXISTING STRUCTURE, PIPES, DUCTS, WINDOWS, WALL, FLOORS, ETC. SHALL BE REPAIRED TO THE ORIGINAL CONDITION OR REPLACED BY THE CONTRACTOR AT NO ADDITIONAL COST.
- THE CONTRACTOR SHALL BE HELD RESPONSIBLE FOR THE PROPER INSTALLATION AND COMPLETION OF THE WORK WITH APPROVED MATERIALS.
- NO CHANGES ARE TO BE MADE WITHOUT THE CONSULTATION AND APPROVAL OF THE ARCHITECT.
- CONTRACTOR SHALL OBTAIN BULDING PERMIT. NO WORK TO START UNLESS BUILDING PERMIT IS PROPERLY DISPLAYED.
- ALL WORKMANSHIP AND MATERIALS SHALL BE OF FIRST QUALITY AND IN COMPLIANCE WITH THE REQUIREMENTS OF THE NC BUILDING CODE, THE DEPARTMENT OF ENVIRONMENTAL PROTECTION AND ALL PERTINENT AGENCIES.
- IT IS ESSENTIAL THAT ALL WORK PROCEED WITH THE MAXIMUM COOPERATION OF ALL PARTIES AND WITH MINIMUM INTERFERENCE TO THE OCCUPANTS WITHIN THE BUILDING. THE OWNER'S DIRECTIONS IN THIS REGARD SHALL BE FULLY COMPLIED WITH.
- ALL EXPOSED PLUMBING, HVAC, ELECTRICAL DUCTWORK, PIPING AND CONDUITS ARE TO BE PAINTED BY GENERAL CONTRACTOR.
- THE CONTRACTOR SHALL PERFORM THE WORK IN STRICT CONFORMANCE WITH THE LOCAL LAWS, REGULATIONS AND THE NATIONAL ELECTRIC CODE.
- THE CONTRACTOR SHALL OBTAIN ALL PERMITS, APPROVALS, AFFIDAVITS, CERTIFICATIONS, ETC. AND PAY ALL FEES AS REQUIRED BY THE LOCAL AUTHORITIES.
- CONTRACTORS SHALL OBTAIN FIRE CERTIF. UPON COMPLETION OF WORK.

**ELECTRICAL NOTES:**

- ALL EQUIPMENT TO BE LISTED BY UL OR OTHER NRTL, AND LABELED FOR ITS APPLICATION.
- ALL CONDUCTORS SHALL BE COPPER, RATED FOR 600 V AND 90 DEGREE C WET ENVIRONMENT.
- WIRING, CONDUIT, AND RACEWAYS MOUNTED ON ROOFTOPS SHALL BE ROUTED DIRECTLY TO, AND LOCATED AS CLOSE AS POSSIBLE TO THE NEAREST RIDGE, HIP, OR VALLEY.
- WORKING CLEARANCES AROUND ALL NEW AND EXISTING ELECTRICAL EQUIPMENT SHALL COMPLY WITH NEC 110.26.
- WHERE SIZES OF JUNCTION BOXES, RACEWAYS, AND CONDUITS ARE NOT SPECIFIED, THE CONTRACTOR SHALL SIZE THEM ACCORDINGLY.
- ALL WIRE TERMINATIONS SHALL BE APPROPRIATELY LABELED AND READILY VISIBLE.
- MODULE GROUNDING (UFO) FASTENER TO BE INSTALLED BETWEEN MODULE FRAME AND MODULE SUPPORT RAIL, PER THE (UFO) FASTENER MANUFACTURE'S INSTRUCTION.

**GOVERNING CODES**

2018 INTERNATIONAL FIRE CODE  
2018 INTERNATIONAL BUILDING CODE  
2018 INTERNATIONAL RESIDENTIAL CODE  
2018 NORTH CAROLINA STATE BUILDING CODE  
2017 NATIONAL ELECTRICAL CODE

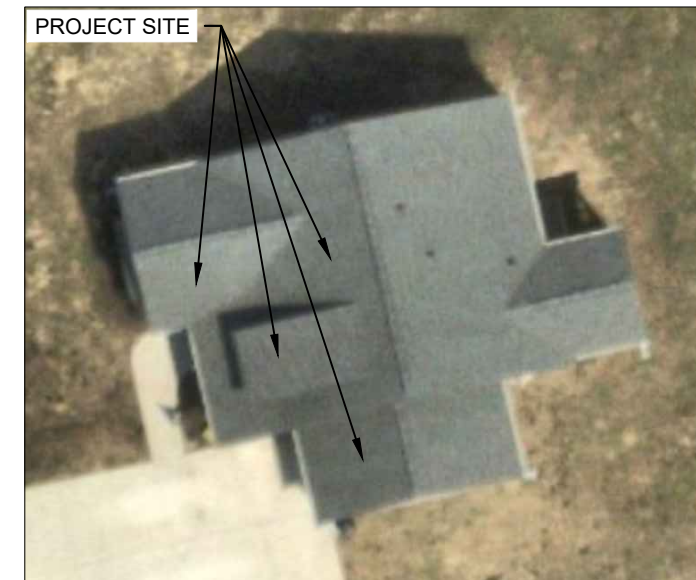
AUTHORITY HAVING JURISDICTION (AHJ) : CITY OF SANFORD COUNTY

**WIRING AND CONDUIT NOTES:**

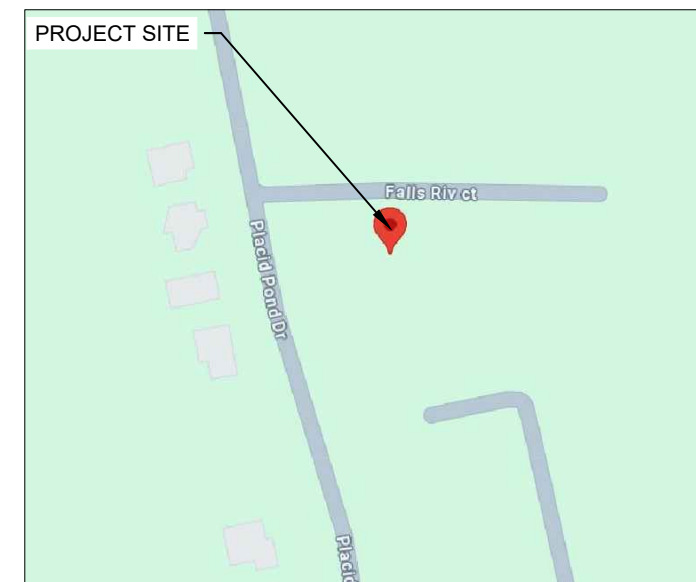
- ALL CONDUIT SIZES AND TYPES, SHALL BE LISTED FOR ITS PURPOSE AND APPROVED FOR THE SITE APPLICATIONS.
- ALL PV CABLES AND HOME RUN WIRES BE #10AWG \*USE-2, PV WIRE, OR PROPRIETARY SOLAR CABLING SPECIFIED BY MFR, OR EQUIVALENT; ROUTED TO SOURCE CIRCUIT COMBINER BOXES AS REQUIRED.
- ALL CONDUCTORS AND OCPD SIZES AND TYPES SPECIFIED ACCORDING TO [NEC 690.8 (A)(1) & (B)(1)], [NEC 240] [NEC 690.7] FOR MULTIPLE CONDUCTORS.
- ALL PV DC CONDUCTORS IN CONDUIT EXPOSED TO SUNLIGHT SHALL BE DERATED ACCORDING TO [NEC TABLE 310.15 (B)(2)(C)] BLACK ONLY\*\*
- EXPOSED ROOF PV DC CONDUCTORS SHALL BE USE-2, 90°C RATED, WET AND UV RESISTANT, AND UL LISTED RATED FOR 600V, UV RATED SPIRAL WRAP SHALL BE USED TO PROTECT WIRE FROM SHARP EDGES.
- PHASE AND NEUTRAL CONDUCTORS SHALL BE DUAL RATED THHN/THWN-2 INSULATED, 90°C RATED, WET AND UV RESISTANT, RATED FOR 600V PER NEC 2008 OR 1000V PER NEC 2011.
- 4-WIRE DELTA CONNECTED SYSTEMS HAVE THE PHASE WITH THE HIGHER VOLTAGE TO GROUND MARKED ORANGE OR IDENTIFIED BY OTHER EFFECTIVE MEANS.
- ALL SOURCE CIRCUITS SHALL HAVE INDIVIDUAL SOURCE CIRCUIT PROTECTION.
- VOLTAGE DROP LIMITED TO 2%
- AC CONDUCTORS >4AWG COLOR CODED OR MARKED: PHASE A OR L1- BLACK, PHASE B OR L2- RED, PHASE C OR L3- BLUE, NEUTRAL- WHITE/GRAY.

**SHEET INDEX**

PV-0	COVER PAGE
PV-1	SITE PLAN
PV-2	ROOF PLAN & MODULES
PV-3	ATTACHMENT DETAIL
PV-4	ELECTRICAL LINE DIAGRAM & CALCS.
PV-5	ELECTRICAL PHOTOS
PV-6	SPECIFICATIONS & CALCS.
PV-7	LABLE & PLACARDS
PV-8+	EQUIPMENT SPECIFICATIONS



1 PV-0 HOUSE PHOTO SCALE: NTS



1 PV-0 VICINITY MAP SCALE: NTS



**CAROLINA CONNECTIONS**  
422 HUFFMAN MILL ROAD,  
SUITE 105, BURLINGTON,  
NC 27215, UNITED STATES  
PHONE: (336) 585-1314

**SYSTEM INFO.**

(19) LONGI SOLAR  
LR5-54HABB-400M  
(10) DURACELL POWER CENTER  
SOLAR PV DUAL D700-M2 (240V)  
DC SYSTEM SIZE: 7.600 KWDC  
AC SYSTEM SIZE: 6.960 KWAC

**REVISIONS**

DESCRIPTION	DATE	REV

Signature with Seal



STAMPED 11/01/2024

**PROJECT NAME & ADDRESS**

**MARK TAYLOR**  
**RESIDENCE**  
**406 PLACID POND DR,**  
**BROADWAY, NC 27505**  
**PH.# : (919) 842 2823**  
**Email: Mthockey2185@gmail.com**

DATE: 10/25/2024

SHEET NAME

**COVER PAGE**

SHEET SIZE

**ANSI B**  
**11" X 17"**

SHEET NUMBER

**PV-0**

**SITE NOTES:**

- A LADDER SHALL BE IN PLACE FOR INSPECTION IN COMPLIANCE WITH OSHA REGULATIONS.
- THE PV MODULES ARE CONSIDERED NON-COMBUSTIBLE AND THIS SYSTEM IS AN UTILITY INTERACTIVE SYSTEM WITH NO STORAGE BATTERIES.
- THE SOLAR PV INSTALLATION SHALL NOT OBSTRUCT ANY PLUMBING, MECHANICAL, OR BUILDING ROOF VENTS.
- PROPER ACCESS AND WORKING CLEARANCE AROUND EXISTING AND PROPOSED ELECTRICAL EQUIPMENT WILL BE PROVIDED AS PER SECTION [NEC 110.26]

**LEGEND**

- JB (N) JUNCTION BOX
- UM (E) UTILITY METER
- MSP (E) MAIN SERVICE PANEL
- SUB (N) SUBPANEL
- AC (N) NON-FUSED AC DISCONNECT
- VENT, ATTIC FAN (ROOF OBSTRUCTION)
- ROOF ATTACHMENT
- CONDUIT
- DURACELL POWER CENTER SOLAR PV DUAL D700-M2 (240V) MICROINVERTER
- LONGI SOLAR LR5-54HABB-400M MODULE
- IRON RIDGE XR-10 168" MILL
- TRENCH



**CAROLINA CONNECTIONS**  
 422 HUFFMAN MILL ROAD,  
 SUITE 105, BURLINGTON,  
 NC 27215, UNITED STATES  
 PHONE: (336) 585-1314

SYSTEM INFO.	
(19) LONGI SOLAR LR5-54HABB-400M	
(10) DURACELL POWER CENTER SOLAR PV DUAL D700-M2 (240V)	
DC SYSTEM SIZE: 7.600 KWDC	
AC SYSTEM SIZE: 6.960 KWAC	

REVISIONS		
DESCRIPTION	DATE	REV

Signature with Seal

**PROJECT NAME & ADDRESS**

**MARK TAYLOR**  
 RESIDENCE  
 406 PLACID POND DR,  
 BROADWAY, NC 27505  
 PH.# : (919) 842 2823  
 Email: Mthockey2185@gmail.com

DATE: 10/25/2024

SHEET NAME  
**SITE PLAN**

SHEET SIZE  
**ANSI B  
 11" X 17"**

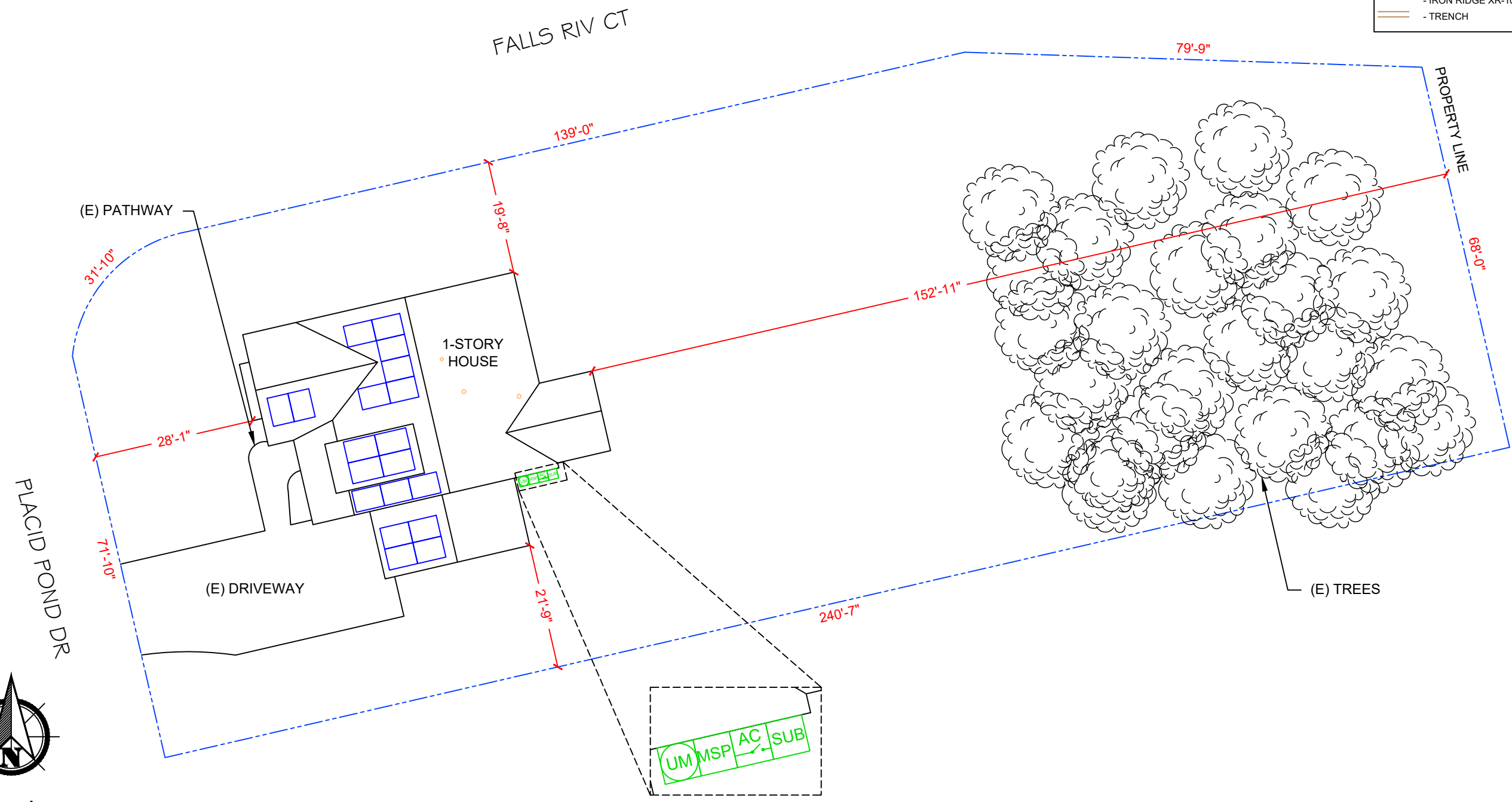
SHEET NUMBER  
**PV-1**



**1 | PLOT PLAN WITH ROOF PLAN**

PV-1 | SCALE: 1/20" = 1'-0"

METER NO : 332 956 440



**INVERTER SPECIFICATIONS**

MANUFACTURER / MODEL	DURACELL POWER CENTER SOLAR PV DUAL D700-M2 (240V)
MAX DC SHORT CIRCUIT CURRENT	11.5 A
CONTINUOUS OUTPUT CURRENT	2.9A (240V)

**MODULE TYPE, DIMENSIONS & WEIGHT**

NUMBER OF MODULES:	19 MODULES
MODULE TYPE:	LONGI SOLAR LR5-54HABB-400M
MODULE WEIGHT:	49.60 LBS/22.5 KG
MODULE DIMENSIONS:	67.80" x 44.65" = 21.02SF
UNIT WEIGHT OF ARRAY:	2.36 PSF

**ROOF DESCRIPTION**

ROOF	ROOF TILT	AZIMUTH	TRUSS SIZE	TRUSS SPACING	ROOF MATERIAL
#1	27°	257°	2" X 4"	24" O.C.	COMP. SHINGLE
#2	10°	257°	2" X 4"	24" O.C.	COMP. SHINGLE
#3	27°	257°	2" X 4"	24" O.C.	COMP. SHINGLE
#4	27°	167°	2" X 4"	24" O.C.	COMP. SHINGLE

**ARRAY AREA & ROOF AREA CALC'S**

ROOF	# OF MODULES	ARRAY AREA (Sq. Ft.)
#1	9	169.14
#2	4	83.17
#3	4	75.26
#4	2	37.55
(TOTAL ARRAY AREA/TOTAL ROOF AREA) X 100%		
(365.12/2093.10) X 100% = 17.44%		

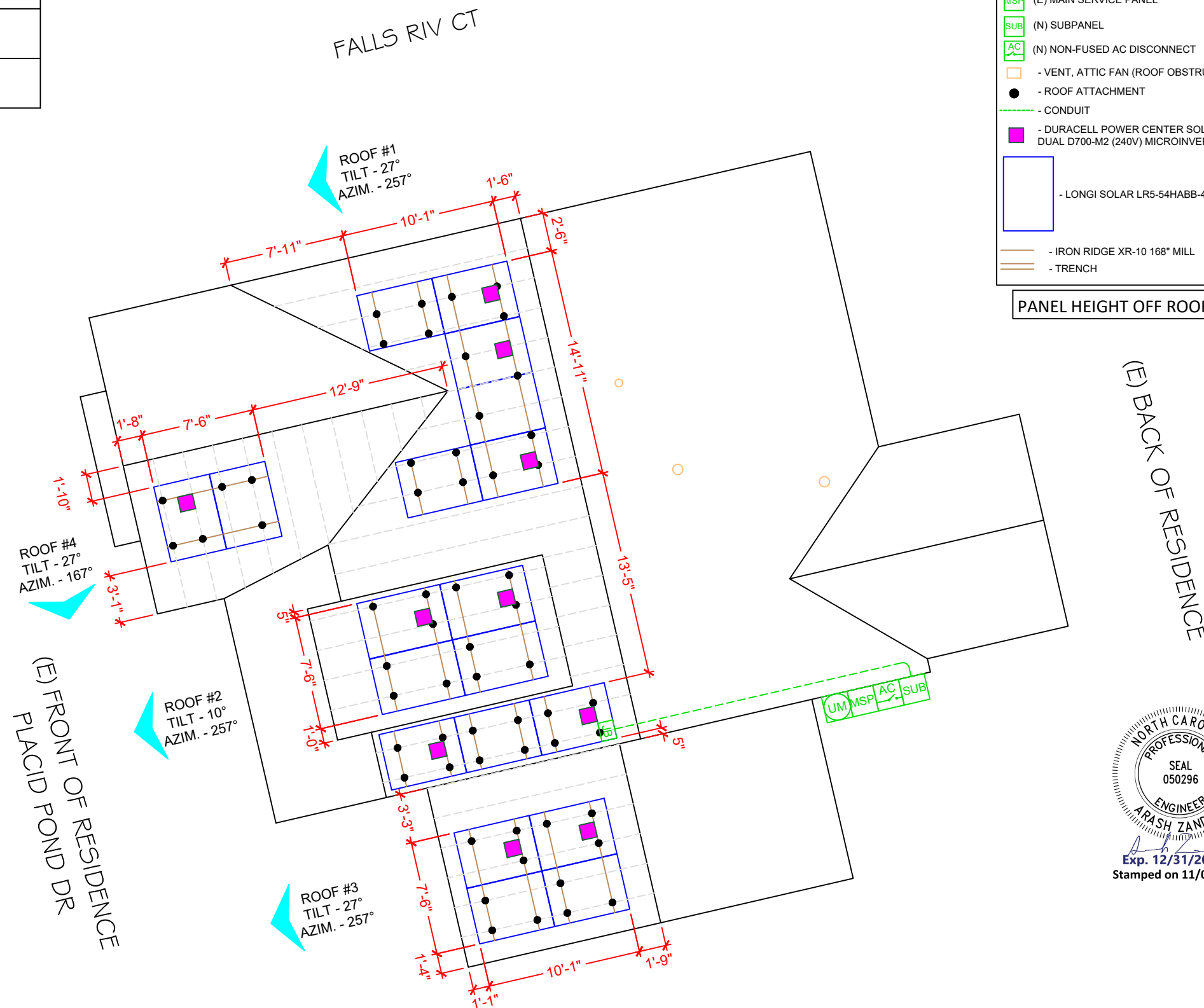
**DESIGN SPECIFICATION**

RISK CATEGORY:	II
CONSTRUCTION:	SFD
ZONING:	RESIDENTIAL
SNOW LOAD (ASCE 7-10):	10 PSF
EXPOSURE CATEGORY:	B
WIND SPEED (ASCE 7-10):	117 MPH

**LEGEND**

- JB (N) JUNCTION BOX
- UM (E) UTILITY METER
- MSP (E) MAIN SERVICE PANEL
- SUB (N) SUBPANEL
- AC (N) NON-FUSED AC DISCONNECT
- VENT, ATTIC FAN (ROOF OBSTRUCTION)
- ROOF ATTACHMENT
- CONDUIT
- DURACELL POWER CENTER SOLAR PV DUAL D700-M2 (240V) MICROINVERTER
- LONGI SOLAR LR5-54HABB-400M MODULE
- IRON RIDGE XR-10 168" MILL
- TRENCH

PANEL HEIGHT OFF ROOF 6"



**CAROLINA CONNECTIONS**  
 422 HUFFMAN MILL ROAD,  
 SUITE 105, BURLINGTON,  
 NC 27215, UNITED STATES  
 PHONE: (336) 585-1314

**SYSTEM INFO.**

(19) LONGI SOLAR LR5-54HABB-400M
(10) DURACELL POWER CENTER SOLAR PV DUAL D700-M2 (240V)
DC SYSTEM SIZE: 7.600 KWDC
AC SYSTEM SIZE: 6.960 KWAC

**REVISIONS**

DESCRIPTION	DATE	REV

Signature with Seal

**PROJECT NAME & ADDRESS**

**MARK TAYLOR**  
 RESIDENCE  
 406 PLACID POND DR,  
 BROADWAY, NC 27505  
 PH.# : (919) 842 2823  
 Email: Mthockey2185@gmail.com



DATE: 10/25/2024

SHEET NAME  
**ROOF PLAN & MODULES**

SHEET SIZE  
**ANSI B  
 11" X 17"**

SHEET NUMBER  
**PV-2**

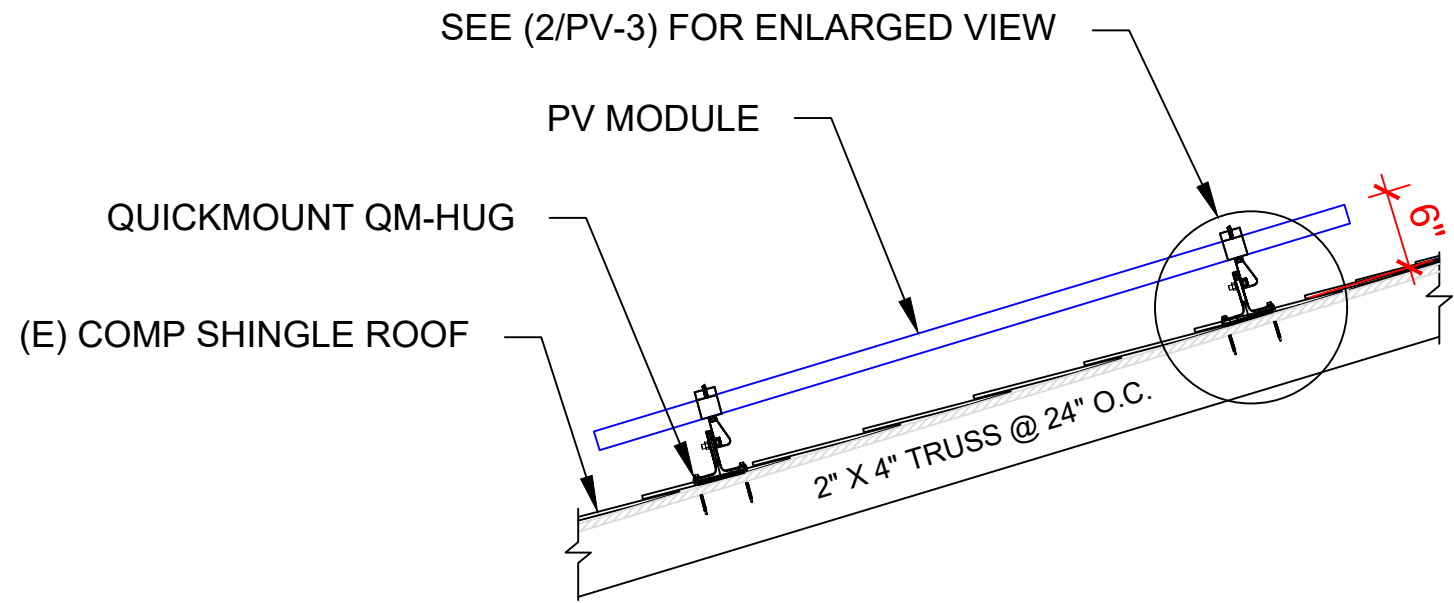
METER NO : 332 956 440



**1 ROOF PLAN & MODULES**

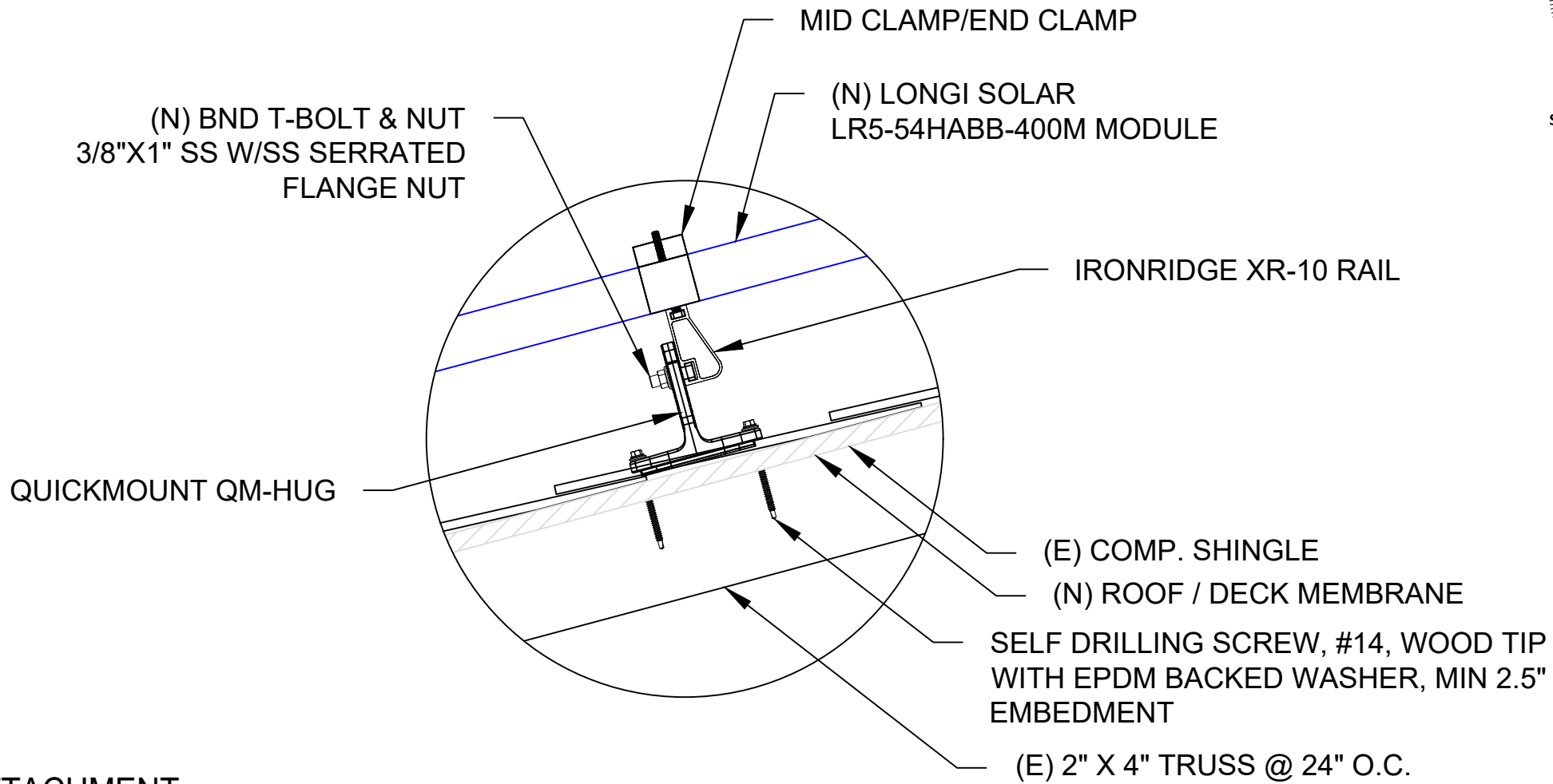
PV-2 SCALE: 1/8" = 1'-0"





1 | ATTACHMENT DETAILS

PV-3



2 | ENLARGED VIEW OF ATTACHMENT

PV-3

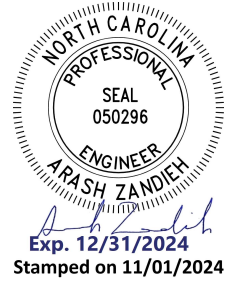
SCALE: NTS



**CAROLINA CONNECTIONS**  
 422 HUFFMAN MILL ROAD,  
 SUITE 105, BURLINGTON,  
 NC 27215, UNITED STATES  
 PHONE: (336) 585-1314

SYSTEM INFO.	
(19) LONGI SOLAR LR5-54HABB-400M	
(10) DURACELL POWER CENTER SOLAR PV DUAL D700-M2 (240V)	
DC SYSTEM SIZE: 7.600 KWDC	
AC SYSTEM SIZE: 6.960 KWAC	

REVISIONS		
DESCRIPTION	DATE	REV



Signature with Seal

PROJECT NAME & ADDRESS

**MARK TAYLOR**  
 RESIDENCE  
 406 PLACID POND DR,  
 BROADWAY, NC 27505  
 PH.# : (919) 842 2823  
 Email: Mthockey2185@gmail.com

DATE: 10/25/2024

SHEET NAME  
**ATTACHMENT  
 DETAIL**

SHEET SIZE  
**ANSI B  
 11" X 17"**

SHEET NUMBER  
**PV-3**

ID	TYPICAL	INITIAL CONDUCTOR LOCATION	FINAL CONDUCTOR LOCATION	CONDUCTOR			CONDUIT	# OF PARALLEL CIRCUITS	CURRENT-CARRYING CONDUCTORS IN CONDUIT	CONDUIT FILL PERCENT	OCPD	EGC		TEMP. CORR. FACTOR		CONDUIT FILL FACTOR	CONT. CURRENT	MAX. CURRENT	BASE AMP.	DERATED AMP.	TERM. TEMP. RATING	LENGTH	VOLTAGE DROP
1	2	ARRAY	JUNCTION BOX	10 AWG	AC CABLE	-	-	1	2	N/A	N/A	6 AWG	BARE COPPER	0.71	(58°C)	N/A	17.40A	21.75A	N/A	N/A	90°C	50FT	0.90%
2	1	JUNCTION BOX	SUBPANEL	10 AWG	THWN-2	COPPER	MIN 0.75" Dia	2	4	19.09%	20A	10 AWG	THWN-2, COPPER	0.91	(36°C)	0.8	17.40A	21.75A	40A	29.1A	75°C	31FT	0.58%
3	1	SUBPANEL	NON-FUSED AC DISCONNECT	8 AWG	THWN-2	COPPER	MIN 0.75" Dia	1	3	23.86%	N/A	10 AWG	THWN-2, COPPER	0.91	(36°C)	1	29.00A	36.25A	55A	50.1A	75°C	5FT	0.10%
4	1	NON-FUSED AC DISCONNECT	MAIN SERVICE PANEL	8 AWG	THWN-2	COPPER	MIN 0.75" Dia	1	3	23.86%	40A	10 AWG	THWN-2, COPPER	0.91	(36°C)	1	29.00A	36.25A	55A	50.1A	75°C	5FT	0.10%



**CAROLINA CONNECTIONS**  
 422 HUFFMAN MILL ROAD,  
 SUITE 105, BURLINGTON,  
 NC 27215, UNITED STATES  
 PHONE: (336) 585-1314

SYSTEM INFO.		
(19) LONGI SOLAR LR5-54HABB-400M		
(10) DURACELL POWER CENTER SOLAR PV DUAL D700-M2 (240V)		
DC SYSTEM SIZE: 7.600 KWDC		
AC SYSTEM SIZE: 6.960 KWAC		
REVISIONS		
DESCRIPTION	DATE	REV

Signature with Seal

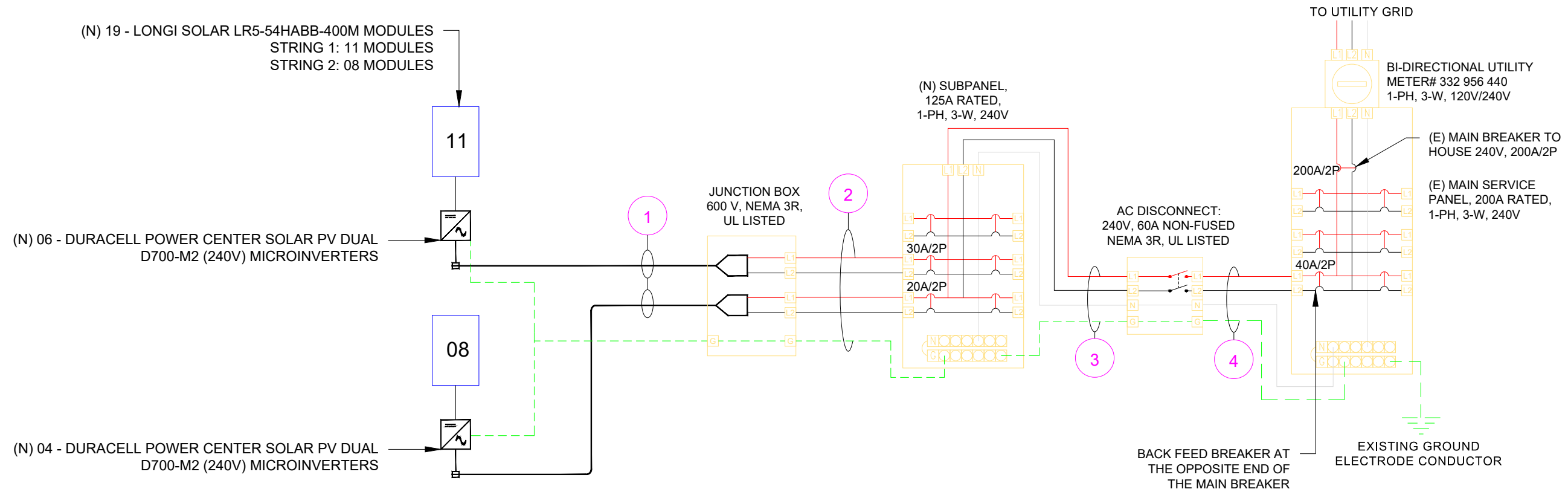


**STAMPED 11/01/2024**

PROJECT NAME & ADDRESS

**MARK TAYLOR**  
 RESIDENCE  
 406 PLACID POND DR,  
 BROADWAY, NC 27505  
 PH.# : (919) 842 2823  
 Email: Mthockey2185@gmail.com

DATE: 10/25/2024
SHEET NAME <b>ELECTRICAL LINE &amp; CALCS.</b>
SHEET SIZE <b>ANSI B 11" X 17"</b>
SHEET NUMBER <b>PV-4</b>



INVERTER SPECIFICATIONS	
MANUFACTURER / MODEL	DURACELL POWER CENTER SOLAR PV DUAL D700-M2 (240V)
MAX DC SHORT CIRCUIT CURRENT	11.5 A
CONTINUOUS OUTPUT CURRENT	2.9A (240V)
MAX CONTINUOUS OUTPUT POWER	696W

SOLAR MODULE SPECIFICATIONS	
MANUFACTURER / MODEL	LONGI SOLAR LR5-54HABB-400M
VMP	30.94 V
IMP	12.93 A
VOC	37.05 V
ISC	13.72 A
TEMP. COEFF. VOC	-0.265 %/C
MODULE DIMENSION	67.80" (L) x 44.65" (W)
PANEL WATTAGE	400W

SERVICE INFO	
UTILITY PROVIDER:	DUKE ENERGY
AHJ NAME:	CITY OF SANFORD COUNTY
MAIN PANEL BRAND:	SQUARE D
MAIN SERVICE PANEL:	200A
MAIN PANEL LOCATION:	SOUTH EAST
SERVICE FEED SOURCE:	UNDERGROUND

INTERCONNECTION 120% RULE - NEC 705.12(B)(2)(3)(b)
UTILITY FEED + SOLAR BACKFEED 200A + 40A = 240A
BUS RATING X 120% 200A x 120% = 240A



**CAROLINA CONNECTIONS**  
 422 HUFFMAN MILL ROAD,  
 SUITE 105, BURLINGTON,  
 NC 27215, UNITED STATES  
 PHONE: (336) 585-1314

**SYSTEM INFO.**

(19) LONGI SOLAR  
 LR5-54HAB-400M  
 (10) DURACELL POWER CENTER  
 SOLAR PV DUAL D700-M2 (240V)  
 DC SYSTEM SIZE: 7.600 KWDC  
 AC SYSTEM SIZE: 6.960 KWAC

**REVISIONS**

DESCRIPTION	DATE	REV

Signature with Seal



STAMPED 11/01/2024

**PROJECT NAME & ADDRESS**

**MARK TAYLOR**  
 RESIDENCE  
 406 PLACID POND DR,  
 BROADWAY, NC 27505  
 PH.# : (919) 842 2823  
 Email: Mthockey2185@gmail.com

DATE: 10/25/2024

SHEET NAME  
**ELECTRICAL  
 PHOTOS**

SHEET SIZE

**ANSI B  
 11" X 17"**

SHEET NUMBER

**PV-5**



SOLAR MODULE SPECIFICATIONS	
MANUFACTURER / MODEL	LONGI SOLAR LR5-54HABB-400M
VMP	30.94 V
IMP	12.93 A
VOC	37.05 V
ISC	13.72 A
TEMP. COEFF. VOC	-0.265 %/C
MODULE DIMENSION	67.80" (L) x 44.65" (W)
PANEL WATTAGE	400W

INVERTER SPECIFICATIONS	
MANUFACTURER / MODEL	DURACELL POWER CENTER SOLAR PV DUAL D700-M2 (240V)
MAX DC SHORT CIRCUIT CURRENT	11.5 A
CONTINUOUS OUTPUT CURRENT	2.9A (240V)

AMBIENT TEMPERATURE SPECS	
RECORD LOW TEMP	-10°C
AMBIENT TEMP (HIGH TEMP 2%)	36°C
CONDUIT HEIGHT	7/8"
ROOF TOP TEMP	90°C
CONDUCTOR TEMPERATURE RATE	58°C
MODULE TEMPERATURE COEFFICIENT OF VOC	-0.265 %/C

PERCENT OF VALUES	NUMBER OF CURRENT CARRYING CONDUCTORS IN EMT
0.80	4-6
0.70	7-9
0.50	10-20

### Voltage rise from the Microinverters to the Junction Box

For branch circuit #1 of 06 D700-M2 Micros, the voltage rise on the 240 VAC AC Cable is 0.90%  
 For branch circuit #2 of 04 D700-M2 Micros, the voltage rise on the 240 VAC AC Cable is 0.46%

### Voltage rise from the Junction Box to the Subpanel

$VRise = (\text{amps/inverter} \times \text{number of inverters}) \times (\text{resistance in } \Omega/\text{ft}) \times (2\text{-way wire length in ft})$   
 $= (2.9 \text{ amp} \times 6) \times (0.00129 \Omega/\text{ft}) \times (31 \text{ ft} \times 2)$   
 $= 17.40 \text{ amps} \times 0.00129 \Omega/\text{ft} \times 62 \text{ ft}$   
 $= 1.39 \text{ volts}$

$\%VRise = 1.39 \text{ volts} \div 240 \text{ volts} = 0.58\%$

The voltage rise from the Junction Box to the Subpanel is 0.58%

### Voltage rise from the Subpanel to Non-Fused AC Disconnect

$VRise = (\text{amps/inverter} \times \text{number of inverters}) \times (\text{resistance in } \Omega/\text{ft.}) \times (2\text{-way wire length in ft.})$   
 $= (2.9 \text{ amp} \times 10) \times (0.000809 \Omega/\text{ft}) \times (5 \text{ ft.} \times 2)$   
 $= 29.00 \text{ amps} \times 0.000809 \Omega/\text{ft} \times 10 \text{ ft.}$   
 $= 0.23 \text{ volts}$

$\%VRise = 0.23 \text{ volts} \div 240 \text{ volts} = 0.10\%$

The voltage rise from the Subpanel to the Non-Fused AC Disconnect is 0.10%

### Voltage rise from the Non-Fused AC Disconnect to Main Service Panel

$VRise = (\text{amps/inverter} \times \text{number of inverters}) \times (\text{resistance in } \Omega/\text{ft.}) \times (2\text{-way wire length in ft.})$   
 $= (2.9 \text{ amp} \times 10) \times (0.000809 \Omega/\text{ft}) \times (5 \text{ ft.} \times 2)$   
 $= 29.00 \text{ amps} \times 0.000809 \Omega/\text{ft} \times 10 \text{ ft.}$   
 $= 0.23 \text{ volts}$

$\%VRise = 0.23 \text{ volts} \div 240 \text{ volts} = 0.10\%$

The voltage rise from the Non-Fused AC Disconnect to the Main Service Panel is 0.10%

### Total system voltage rise for all wire sections

$0.90\% + 0.58\% + 0.10\% + 0.10\% = 1.68\%$



**CAROLINA CONNECTIONS**  
 422 HUFFMAN MILL ROAD,  
 SUITE 105, BURLINGTON,  
 NC 27215, UNITED STATES  
 PHONE: (336) 585-1314

SYSTEM INFO.
(19) LONGI SOLAR LR5-54HABB-400M
(10) DURACELL POWER CENTER SOLAR PV DUAL D700-M2 (240V)
DC SYSTEM SIZE: 7.600 KWDC
AC SYSTEM SIZE: 6.960 KWAC

REVISIONS		
DESCRIPTION	DATE	REV

Signature with Seal



STAMPED 11/01/2024

PROJECT NAME & ADDRESS

MARK TAYLOR  
 RESIDENCE  
 406 PLACID POND DR,  
 BROADWAY, NC 27505  
 PH.# : (919) 842 2823  
 Email: Mthockey2185@gmail.com

DATE: 10/25/2024

SHEET NAME  
**SPECIFICATIONS & CALC.**

SHEET SIZE  
**ANSI B  
 11" X 17"**

SHEET NUMBER  
**PV-6**

1

**⚠ WARNING**  
**ELECTRIC SHOCK HAZARD**  
 TERMINALS ON BOTH LINE AND LOAD SIDES  
 MAY BE ENERGIZED IN THE OPEN POSITION

LABEL LOCATION:  
 MAIN SERVICE PANEL/AC DISCONNECT/AC COMBINER  
 (PER CODE: NEC 2017 690.13(B))

2

**WARNING: PHOTOVOLTAIC POWER SOURCE**

LABEL LOCATION:  
 DC CONDUIT  
 EVERY 10' AND ON CONDUIT BODIES WHEN EXPOSED  
 (PER CODE: NEC2017 690.31(G)(3)(4))

3

**PHOTOVOLTAIC SYSTEM AC DISCONNECT**  
 RATED AC OUTPUT CURRENT 29.00 AMPS  
 NOMINAL OPERATING AC VOLTAGE 240 VOLTS

LABEL LOCATION:  
 MAIN SERVICE PANEL/AC DISCONNECT  
 NEC2017, 690.53

4

**RAPID SHUTDOWN SWITCH  
 FOR SOLAR PV SYSTEM**

LABEL LOCATION:  
 INVERTER  
 AT OR WITHIN 3' OF THE AC/DC COMBINER SWITCH  
 PER CODE: NEC 690.58(C)(3)

5

**⚠ CAUTION**  
**DUAL POWER SOURCE**  
**SECOND SOURCE IS**  
**PHOTOVOLTAIC SYSTEM**

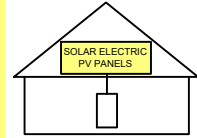
LABEL LOCATION:  
 MAIN SERVICE PANEL/AC DISCONNECT/AC  
 COMBINER/REVENUE METER  
 2017 NEC 705.12(B)(3)

ADHESIVE FASTENED SIGNS:  
 • ANSI Z535.4-2011 PRODUCT SAFETY SIGNS AND LABELS, PROVIDES GUIDELINES FOR SUITABLE FONT SIZES, WORDS, COLORS, SYMBOLS, AND LOCATION REQUIREMENTS FOR LABELS. NEC 110.21(B)(1).  
 • THE LABEL SHALL BE OF SUFFICIENT DURABILITY TO WITHSTAND THE ENVIRONMENT INVOLVED. NEC 110.21(B)(3).  
 • ADHESIVE FASTENED SIGNS MAY BE ACCEPTABLE IF PROPERLY ADHERED. VINYL SIGNS SHALL BE WEATHER RESISTANT.

6

**SOLAR PV SYSTEM EQUIPPED  
 WITH RAPID SHUTDOWN**

TURN RAPID SHUTDOWN SWITCH TO THE "OFF" POSITION TO SHUT DOWN PV SYSTEM AND REDUCE SHOCK HAZARD IN THE ARRAY



MAIN SERVICE PANEL  
 IF MSD IS OUTSIDE PLACE IT THERE / IF  
 MSD IS INSIDE PLACE ON THE AC DISCONNECT  
 PER CODE: NEC 690.56(C)(1)

7

**PHOTOVOLTAIC SYSTEM  
 UTILITY DISCONNECT SWITCH**

LABEL LOCATION:  
 AC DISCONNECT  
 2017 NEC 690.56(C)(3)

8

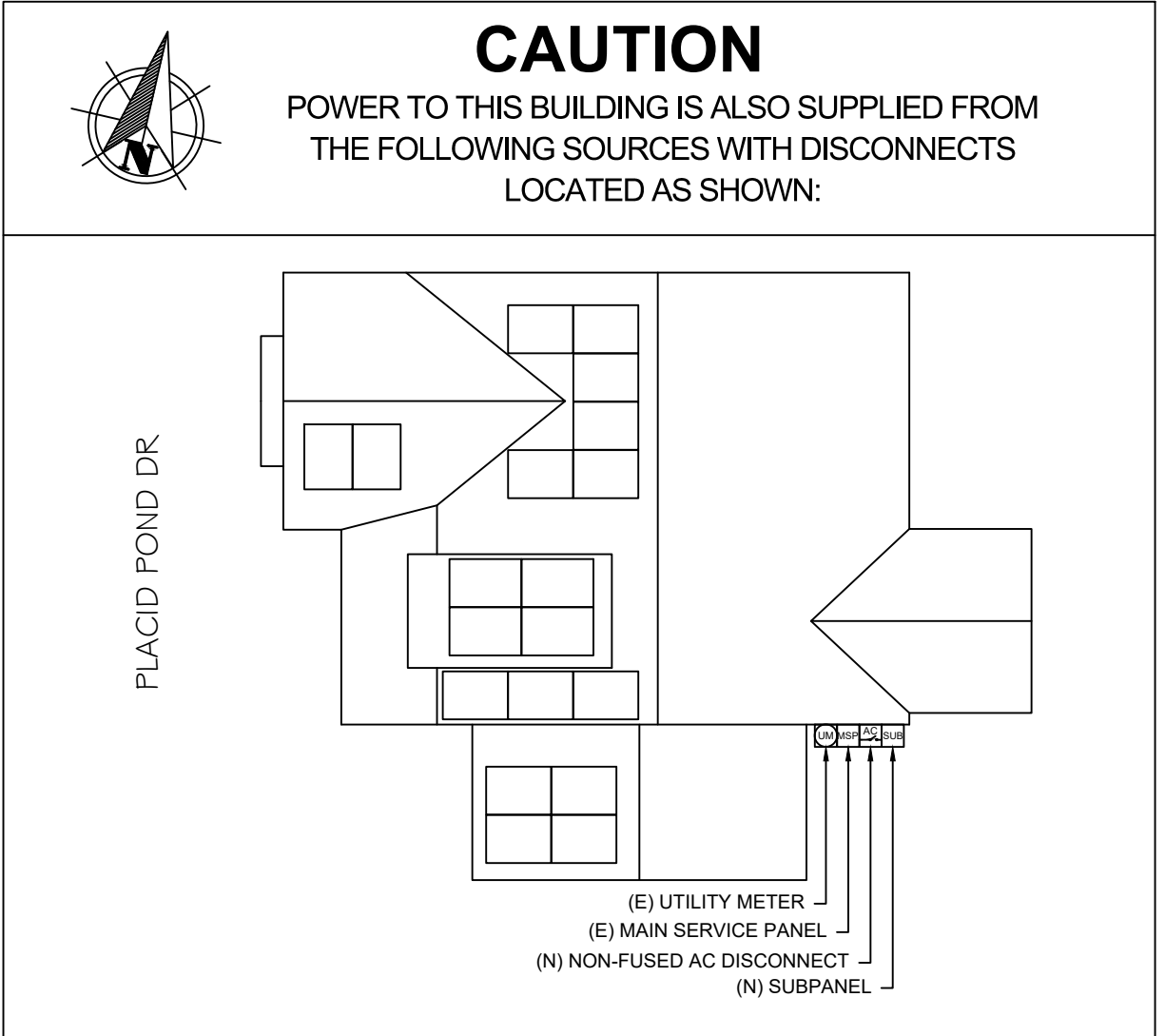
**PV SOLAR BREAKER**  
**DO NOT RELOCATE THIS  
 OVERCURRENT DEVICE**

LABEL LOCATION:  
 MAIN SERVICE PANEL  
 2017 NEC 705.12(B)(2)(3)(B)

9

**SERVICE DISCONNECT**  
**SECTIONNEUR  
 PRINCIPALE**  
**SERVICIO DE  
 DESCONEXION**

LABEL LOCATION:  
 AC DISCONNECT  
 2017 NEC 230.66



**CAROLINA CONNECTIONS**  
 422 HUFFMAN MILL ROAD,  
 SUITE 105, BURLINGTON,  
 NC 27215, UNITED STATES  
 PHONE: (336) 585-1314

SYSTEM INFO.		
(19) LONGI SOLAR		
LR5-54HABB-400M		
(10) DURACELL POWER CENTER		
SOLAR PV DUAL D700-M2 (240V)		
DC SYSTEM SIZE: 7.600 KWDC		
AC SYSTEM SIZE: 6.960 KWAC		

REVISIONS		
DESCRIPTION	DATE	REV

Signature with Seal



STAMPED 11/01/2024

PROJECT NAME & ADDRESS

**MARK TAYLOR**  
**RESIDENCE**  
**406 PLACID POND DR,**  
**BROADWAY, NC 27505**  
**PH.# : (919) 842 2823**  
**Email: Mthockey2185@gmail.com**

DATE: 10/25/2024

SHEET NAME  
**SIGNAGE**

SHEET SIZE  
**ANSI B  
 11" X 17"**

SHEET NUMBER  
**PV-7**



# Hi-MO 5

## LR5-54HABB 390~415M

- Suitable for distributed projects
- Advanced module technology delivers superior module efficiency
  - M10 Gallium-doped Wafer
  - Integrated Segmented Ribbons
  - 9-busbar Half-cut Cell
- Globally validated bifacial energy yield
- High module quality ensures long-term reliability

**25** 25-year Warranty for Materials and Processing

**30** 30-year Warranty for Extra Linear Power Output

### Complete System and Product Certifications

IEC 61215, IEC 61730, UL 61730  
 ISO9001:2015: ISO Quality Management System  
 ISO14001: 2015: ISO Environment Management System  
 ISO45001: 2018: Occupational Health and Safety  
 IEC62941: Guideline for module design qualification and type approval

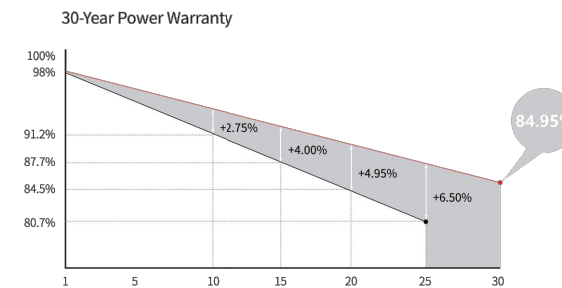
**LONGI**



# Hi-MO 5

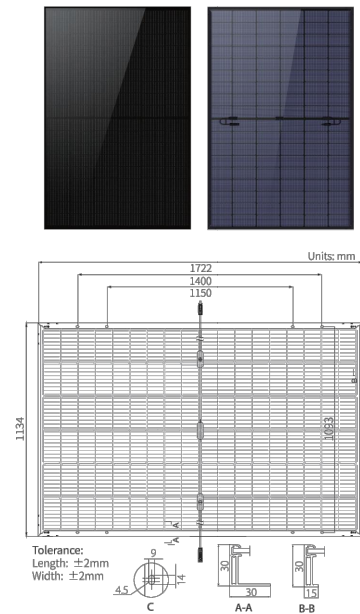
<b>21.3%</b> MAX MODULE EFFICIENCY	<b>0~3%</b> POWER TOLERANCE	<b>&lt;2%</b> FIRST YEAR POWER DEGRADATION	<b>0.45%</b> YEAR 2-30 POWER DEGRADATION	<b>HALF-CELL</b> Lower operating temperature
---------------------------------------	--------------------------------	---	---	---

### Additional Value



### Mechanical Parameters

Cell Orientation	108 (6×18)
Junction Box	IP68, three diodes
Output Cable	4mm <sup>2</sup> , ±1200mm length can be customized
Glass	Dual glass, 2.0+1.6mm heat strengthened glass
Frame	Anodized aluminum alloy frame
Weight	22.5kg
Dimension	1722×1134×30mm
Packaging	36pcs per pallet / 216pcs per 20' GP / 936pcs or 792pcs(Only for USA) per 40' HC



Module Type	LR5-54HABB-390M		LR5-54HABB-395M		LR5-54HABB-400M		LR5-54HABB-405M		LR5-54HABB-410M		LR5-54HABB-415M	
	STC	NOCT	STC	NOCT	STC	NOCT	STC	NOCT	STC	NOCT	STC	NOCT
Testing Condition	STC	NOCT	STC	NOCT	STC	NOCT	STC	NOCT	STC	NOCT	STC	NOCT
Maximum Power (Pmax/W)	390	291.5	395	295.2	400	299.0	405	302.7	410	306.5	415	310.2
Open Circuit Voltage (Voc/V)	36.58	34.39	36.81	34.61	37.05	34.84	37.29	35.06	37.53	35.29	37.77	35.51
Short Circuit Current (Isc/A)	13.57	10.95	13.65	11.01	13.72	11.07	13.79	11.13	13.87	11.19	13.94	11.25
Voltage at Maximum Power (Vmp/V)	30.47	28.43	30.70	28.64	30.94	28.86	31.18	29.09	31.42	29.31	31.66	29.54
Current at Maximum Power (Imp/A)	12.80	10.26	12.87	10.31	12.93	10.36	12.99	10.41	13.05	10.45	13.11	10.50
Module Efficiency(%)	20.0		20.2		20.5		20.7		21.0		21.3	

Electrical characteristics with different rear side power gain (reference to 400W front)						
Pmax/W	Voc/V	Isc/A	Vmp/V	Imp/A	Pmax gain	
420	37.05	14.41	30.94	13.58	5%	
440	37.05	15.09	30.94	14.22	10%	
460	37.15	15.78	31.04	14.87	15%	
480	37.15	16.46	31.04	15.52	20%	
500	37.15	17.15	31.04	16.16	25%	

Operating Parameters	
Operational Temperature	-40°C ~ +85°C
Power Output Tolerance	0 ~ 3%
Voc and Isc Tolerance	±3%
Maximum System Voltage	DC1500V (IEC/UL)
Maximum Series Fuse Rating	30A
Nominal Operating Cell Temperature	45±2°C
Protection Class	Class II
Bifaciality	70±5%
Fire Rating	UL Similar type 38 * IEC Class C

Mechanical Loading	
Front Side Maximum Static Loading	5400Pa
Rear Side Maximum Static Loading	2400Pa
Hailstone Test	25mm Hailstone at the speed of 23m/s

Temperature Ratings (STC)	
Temperature Coefficient of Isc	+0.050%/°C
Temperature Coefficient of Voc	-0.265%/°C
Temperature Coefficient of Pmax	-0.340%/°C

\*Reference Standard: UL61730 Second Edition, Dated October 28, 2022

**LONGI**

No.8369 Shangyuan Road, Xi'an Economic And Technological Development Zone, Xi'an, Shaanxi, China.  
 Web: www.longi.com

Specifications included in this datasheet are subject to change without notice. LONGI reserves the right of final interpretation. (20230115V1.7) Only for North America



**CAROLINA CONNECTIONS**  
 422 HUFFMAN MILL ROAD,  
 SUITE 105, BURLINGTON,  
 NC 27215, UNITED STATES  
 PHONE: (336) 585-1314

SYSTEM INFO.		
(19) LONGI SOLAR LR5-54HABB-400M		
(10) DURACELL POWER CENTER SOLAR PV DUAL D700-M2 (240V)		
DC SYSTEM SIZE: 7.600 KWDC		
AC SYSTEM SIZE: 6.960 KWAC		

REVISIONS		
DESCRIPTION	DATE	REV

Signature with Seal

### PROJECT NAME & ADDRESS

**MARK TAYLOR**  
 RESIDENCE  
 406 PLACID POND DR,  
 BROADWAY, NC 27505  
 PH.# : (919) 842 2823  
 Email: Mthockey2185@gmail.com

DATE: 10/25/2024

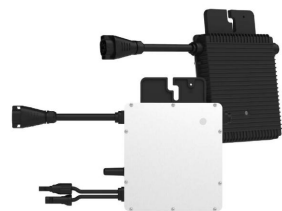
SHEET NAME  
**EQUIPMENT SPECIFICATION**

SHEET SIZE  
**ANSI B  
 11" X 17"**

SHEET NUMBER  
**PV-8**



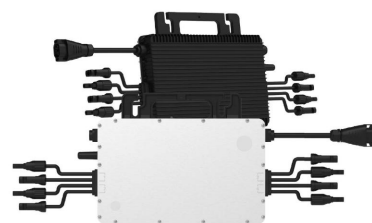
Single



Dual



Quad



### Fast, Easy & Flexible Installation

Duracell Power Center's family of single, dual, and quad microinverters delivers the lowest cost, highest yield per panel PV installation.

The AC trunk cable format permits any combination of the three models to optimize even the most complex rooftop installations.

Reactive Power Control  
CA Rule 21 compliant

Compliant with U.S.  
NEC-2017 & NEC-2020  
690.12 rapid shutdown

High reliability: NEMA 6  
(IP67) enclosure, 6000V  
surge protection

### Technical Data

Model	D350-M1		D700-M2		D1500-M4	
<b>Input Data (DC)</b>						
Number of PV inputs	1		2		4	
Module power range, typical (W)	280 to 470+		280 to 470+		300 to 505+	
Maximum input voltage (V)	60		60		60	
MPPT voltage range (V)	16-60		16-60		16-60	
Start-up voltage (V)	22		22		22	
Maximum input current (A)	11.5		11.5		11.5	
<b>Output Data (AC)</b>						
Peak output power (VA)	350		700		1500	
Maximum continuous output power (VA)	349		696		1438	
Maximum continuous output current (A)	1.45	1.68	2.9	3.35	5.99	5.99
Nominal output voltage (V)	240	208	240	208	240	208
Nominal output voltage range1 (V)	211-264	183-228	211-264	183-228	211-264	183-228
Nominal frequency/range1 (Hz)	60/55-65					
Power factor (adjustable)	>0.99 default (0.8 lead to 0.8 lag)					
Total harmonic distortion	<3%					
Maximum units per branch2 (10 AWG)	16	14	8	7	4	4
<b>Efficiency</b>						
CEC peak efficiency (%)			96.7			
CEC weighted efficiency (%)			96.5			
Nominal MPPT efficiency (%)			99.8			
Nighttime power consumption (mW)			<50			
<b>Mechanical Data</b>						
Ambient temperature range (°C)			-40 to +65			
Dimensions (W x H x D) mm	182 x 164 x 29.5		250 x 170 x 28		280 x 176 x 33	
Weight (kg)	1.75		2.6		3.35	
Enclosure rating	Outdoor NEMA 6					
Cooling	Natural convection - no fans					
<b>Features</b>						
Communication	2.4 GHz proprietary RF (Nordic)					
Monitoring	Yes					
Warranty	Up to 25 years					
Compliance	UL 1741, IEEE 1547, UL 1741 SA (240 Vac), CA Rule 21 (240 Vac), CSA C22.2 No. 107.1-16, FCC Part 15B, FCC Part 15C					
PV Rapid Shutdown	Conforms with NEC-2017 and NEC-2020 Article 690.12 and CEC-2021 Sec 64-218 Rapid Shutdown of PV Systems					

\*1. Nominal voltage/frequency range can vary depending on local requirements.

\*2. Refer to local requirements for exact number of microinverters per branch.



**CAROLINA CONNECTIONS**  
422 HUFFMAN MILL ROAD,  
SUITE 105, BURLINGTON,  
NC 27215, UNITED STATES  
PHONE: (336) 585-1314

**SYSTEM INFO.**

(19) LONGI SOLAR  
LR5-54HAB-400M  
(10) DURACELL POWER CENTER  
SOLAR PV DUAL D700-M2 (240V)  
DC SYSTEM SIZE: 7.600 KWDC  
AC SYSTEM SIZE: 6.960 KWAC

**REVISIONS**

DESCRIPTION	DATE	REV

Signature with Seal

**PROJECT NAME & ADDRESS**

**MARK TAYLOR**  
**RESIDENCE**  
406 PLACID POND DR,  
BROADWAY, NC 27505  
PH.# : (919) 842 2823  
Email: Mthockey2185@gmail.com

DATE: 10/25/2024

SHEET NAME  
**EQUIPMENT  
SPECIFICATION**

SHEET SIZE

**ANSI B  
11" X 17"**

SHEET NUMBER

**PV-9**





Tech Brief

QuickMount® HUG

### The Respect Your Roof Deserves

When integrating with a home, solar attachments must be dependable for the lifetime of the rooftop. Due to recent innovations, many asphalt shingles have bonded courses. A mount that protects without the need to pry shingles can really speed things up.

Halo UltraGrip™ (HUG™) is here to respect the roof. Its Halo is a cast-aluminum barrier that encases the UltraGrip, our industrial-grade, foam-and-mastic seal. This allows HUG to accelerate the installation process and provide the utmost in waterproofing protection. Give your roof a HUG.™

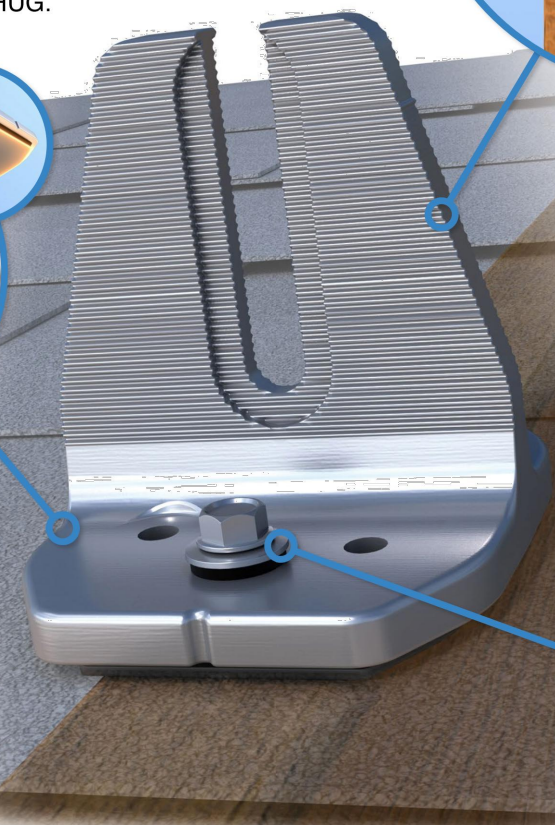


**Multi-Tiered Waterproofing**  
HUG utilizes a multi-tiered stack of components to provide revolutionary waterproofing protection. The Halo cast-aluminum, raised-perimeter foundation surrounds the UltraGrip base—a foam-backed mastic seal combination that prevents water intrusion by adhering and sealing with the shingle surface.

Halo UltraGrip™ is part of the QuickMount® product line.

### UltraGrip™ Seal Technology

HUG UltraGrip utilizes a state-of-the-art seal design that uses a unique, foam-and-mastic combination. The foam-backed adhesive provides an entirely new flashing system that conforms and adheres to every nook and cranny of composition shingles, filling gaps and shingle step-downs (up to 1/8" in height).



Rafter Mount

Deck Mount

### Rafter & Deck Mounting Options

Mount HUG to the roof rafters, the roof deck, or both with our custom-engineered RD (rafter-or-deck) Structural Screw. The RD Structural Screw anchors HUG to the roof with an EPDM sealing washer, completing the stack of waterproofing barriers. See backside for more installation information.

**ETL** Triple Rated & Certified to Respect the Roof™  
UL 2703, 441 (27)  
TAS 100(A)-95  
Intertek

### Adaptive, Rafter-Friendly Installation

Tech Brief



#### Hit the rafter? Good to go!

When you find a rafter, you can move on. Only 2 RD Structural Screws are needed.



#### Miss the rafter? Try it again.

Place another screw to the left or right. If rafter is found, install 3rd and final screw.



#### Still no luck? Install the rest.

If more than 3 screws miss the rafter, secure six screws to deck mount it.

### Trusted Strength & Less Hassle



**25-Year Warranty**  
Product guaranteed free of impairing defects.

Structural capacities of HUG™ were reviewed in many load directions, with racking rail running cross-slope or up-slope in relation to roof pitch.

For further details, see the HUG certification letters for attaching to rafters and decking.

IronRidge designed the HUG, in combination with the RD Structural Screw to streamline installs, which means the following:

- No prying shingles
- No roof nail interference
- No pilot holes necessary
- No sealant (in most cases)
- No butyl shims needed

### Attachment Loading

The rafter-mounted HUG has been tested and rated to support 1004 (lbs) of uplift and 368 (lbs) of lateral load.

### Structural Design

Parts are designed and certified for compliance with the International Building Code & ASCE/SEI-7.

### Water Seal Ratings

HUG passed both the UL 441 Section 27 "Rain Test" and TAS 100(A)-95 "Wind Driven Rain Test" by Intertek.

### UL 2703 System

Systems conform to UL 2703 mechanical and bonding requirements. See Flush Mount Manual for more info.



**CAROLINA CONNECTIONS**  
422 HUFFMAN MILL ROAD,  
SUITE 105, BURLINGTON,  
NC 27215, UNITED STATES  
PHONE: (336) 585-1314

#### SYSTEM INFO.

(19) LONGI SOLAR  
LR5-54HAB-400M  
(10) DURACELL POWER CENTER  
SOLAR PV DUAL D700-M2 (240V)  
DC SYSTEM SIZE: 7.600 KWDC  
AC SYSTEM SIZE: 6.960 KWAC

#### REVISIONS

DESCRIPTION	DATE	REV

Signature with Seal

#### PROJECT NAME & ADDRESS

**MARK TAYLOR**  
RESIDENCE  
406 PLACID POND DR,  
BROADWAY, NC 27505  
PH.# : (919) 842 2823  
Email: Mthockey2185@gmail.com

DATE: 10/25/2024

SHEET NAME  
**EQUIPMENT SPECIFICATION**

SHEET SIZE

**ANSI B**  
11" X 17"

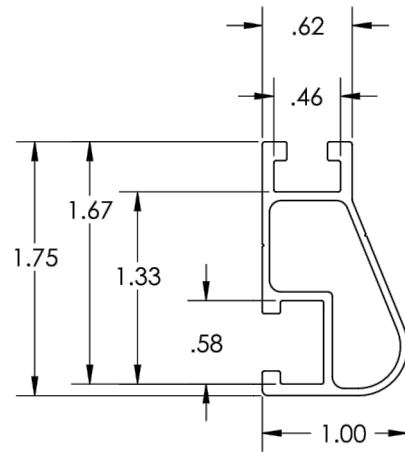
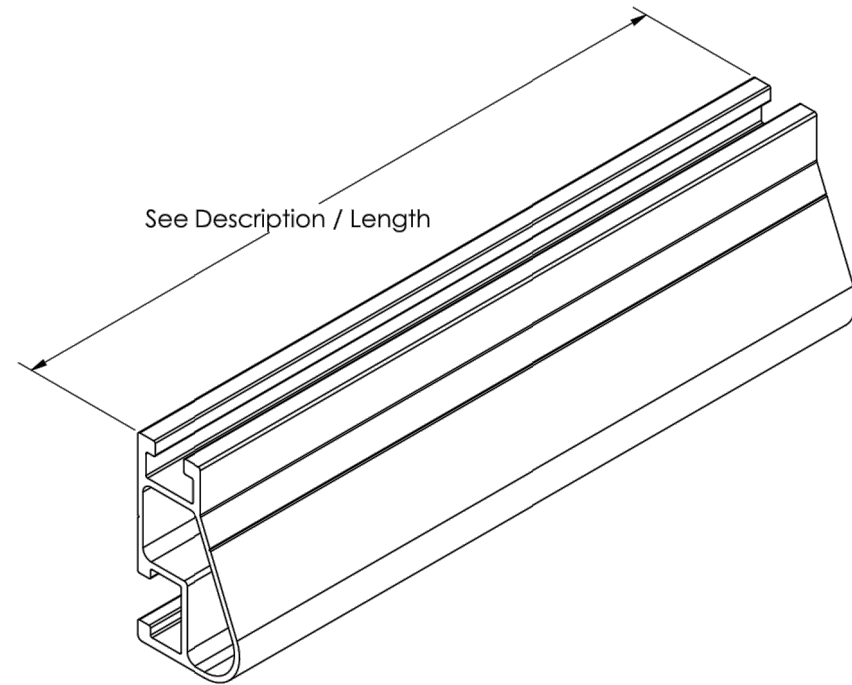
SHEET NUMBER

**PV-10**





# XR10® Rail



Rail Section Properties	
Property	Value
Total Cross-Sectional Area	0.363 in <sup>2</sup>
Section Modulus (X-axis)	0.136 in <sup>3</sup>
Moment of Inertia (X-axis)	0.124 in <sup>4</sup>
Moment of Inertia (Y-axis)	0.032 in <sup>4</sup>
Torsional Constant	0.076 in <sup>3</sup>
Polar Moment of Inertia	0.033 in <sup>4</sup>

Clear Part Number	Black Part Number	Description / Length	Material	Weight
XR-10-132A	XR-10-132B	XR10, Rail 132" (11 Feet)	6000-Series Aluminum	4.67 lbs.
XR-10-168A	XR-10-168B	XR10, Rail 168" (14 Feet)		5.95 lbs.
XR-10-204A	XR-10-204B	XR10, Rail 204" (17 Feet)		7.22 lbs.

v1.01



**CAROLINA CONNECTIONS**  
 422 HUFFMAN MILL ROAD,  
 SUITE 105, BURLINGTON,  
 NC 27215, UNITED STATES  
 PHONE: (336) 585-1314

**SYSTEM INFO.**

(19) LONGI SOLAR  
 LR5-54HABB-400M  
 (10) DURACELL POWER CENTER  
 SOLAR PV DUAL D700-M2 (240V)  
 DC SYSTEM SIZE: 7.600 KWDC  
 AC SYSTEM SIZE: 6.960 KWAC

**REVISIONS**

DESCRIPTION	DATE	REV

Signature with Seal

**PROJECT NAME & ADDRESS**

**MARK TAYLOR**  
 RESIDENCE  
 406 PLACID POND DR,  
 BROADWAY, NC 27505  
 PH.# : (919) 842 2823  
 Email: Mthockey2185@gmail.com

DATE: 10/25/2024

SHEET NAME

**EQUIPMENT  
 SPECIFICATION**

SHEET SIZE

**ANSI B  
 11" X 17"**

SHEET NUMBER

**PV-11**