

### SCOPE OF WORK

INSTALL A ROOF-MOUNTED PV SYSTEM & ENERGY STORAGE SYSTEM:

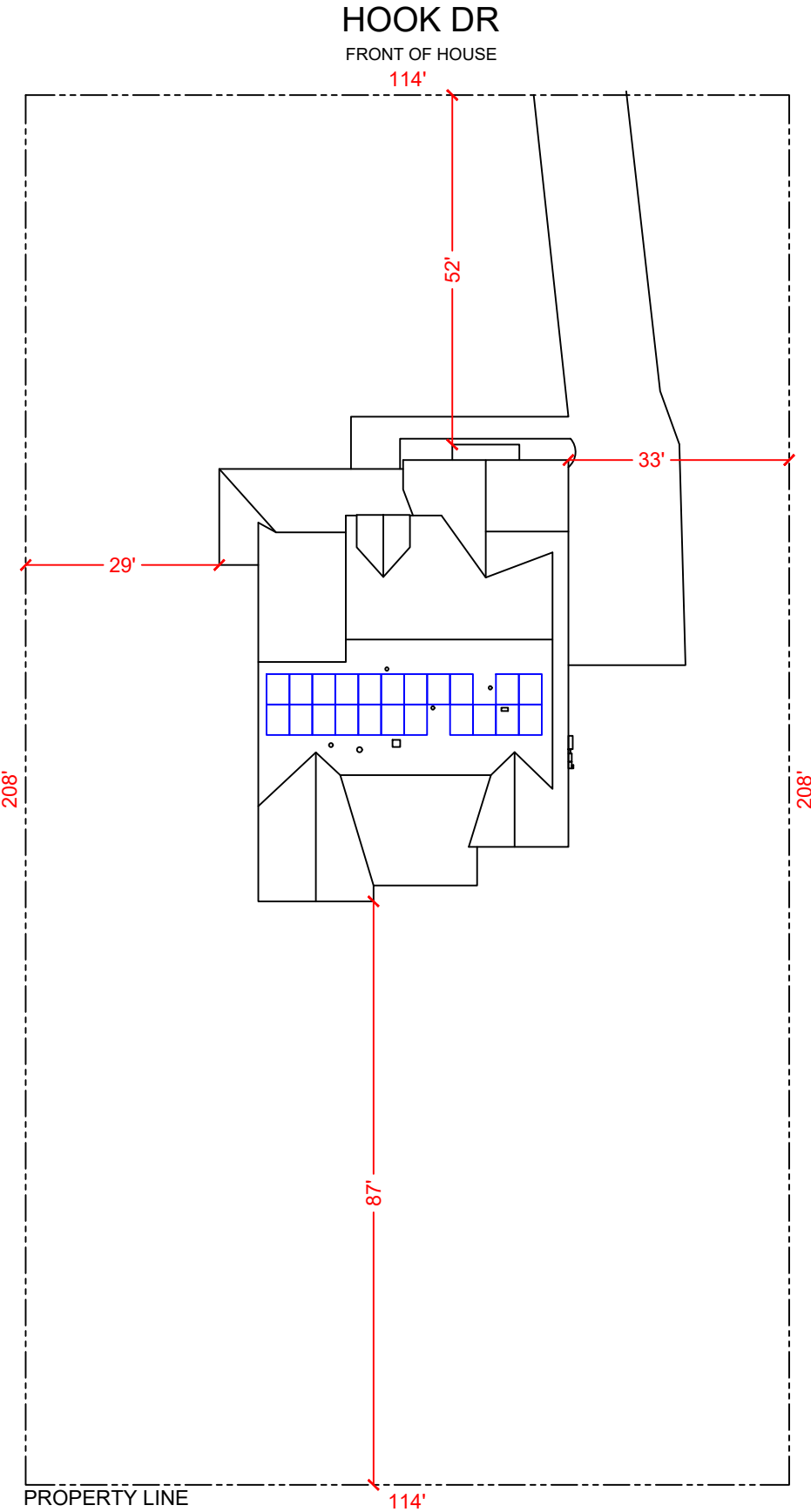
- (22) CERTAINTED CT370HC11-06 MODULES
- (08) TESLA SOLAR SHUTDOWN DEVICE MCI-2
- (01) TESLA POWERWALL 3 (11.5KW, 13.5KWH)
- (01) TESLA GATEWAY 3
- (01) NON-FUSED AC DISCONNECT

TOTAL PV SIZE: 8.140 KW DC, 7.378 KW CEC AC

### GOVERNING CODES

- ALL WORK TO COMPLY WITH:
- 2018 INTERNATIONAL BUILDING CODE
  - 2018 INTERNATIONAL RESIDENTIAL CODE
  - 2017 NATIONAL ELECTRICAL CODE
  - 2013 INTERNATIONAL FIRE CODE

### SITE PLAN



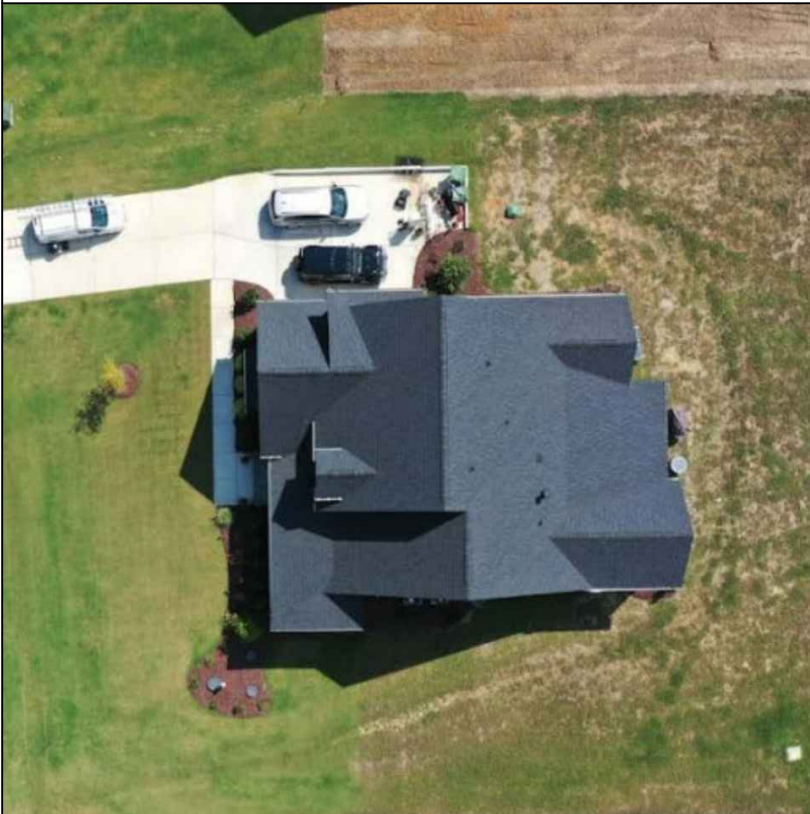
### TABLE OF CONTENTS

- PV-1 COVER SHEET
- PV-2 ROOF PLAN & MODULES
- PV-2A ROOF, MODULES & ATTACHMENT DETAILS
- PV-3 STRINGING PAGE
- PV-4 THREE-LINE DIAGRAM
- PV-4A DESIGN TABLES
- PV-5 LABELS & PLACARD
- PV-6+ EQUIPMENT DATASHEETS
- PV-13 ANCHORAGE DETAILS
- PV-14 MAPPING SHEET

### GENERAL NOTES

- ALL WORK SHALL CONFORM TO APPLICABLE BUILDING, ELECTRICAL CODE AND ANY LOCALLY ADOPTED ORDINANCES.
- DRAWINGS ARE DIAGRAMMATIC, SITE CONDITIONS SHALL PREVAIL. IF NO SCALE IS GIVEN, DRAWINGS ARE NOT TO SCALE. ALL DIMENSIONS SHALL BE VERIFIED BY THE CONTRACTOR IN THE FIELD UPON COMMENCEMENT OF CONSTRUCTION.
- ALL CONDUIT AND WIRE RUNS ARE DIAGRAMMATIC, SUBJECT TO FIELD CONDITIONS ROUTING OF RACEWAYS SHALL BE FINALIZED BY THE CONTRACTOR. IF THE DISTANCES FOR WIRE RUNS ARE DIFFERENT THAN AS SHOWN, THE CONTRACTOR SHALL NOTIFY THE DESIGN TEAM TO VALIDATE THE WIRE SIZE.
- ALL EQUIPMENT SHALL BE LISTED AND LABELED BY A RECOGNIZED TESTING LABORATORY AND INSTALLED PER THE LISTING AND MANUFACTURER'S REQUIREMENTS.
- ALL EQUIPMENT SHALL BE INSTALLED IN ACCORDANCE WITH REQUIRED ACCESS AND WORKING CLEARANCES PER CEC ARTICLE 110.
- ALL NEW MAIN SERVICE PANELS AND SUBPANELS WILL HAVE APPROPRIATE FIELD IDENTIFICATION PER CEC 408.4.
- ALL EQUIPMENT WILL BE INSTALLED WHERE IT IS NOT EXPOSED TO PHYSICAL DAMAGE PER CEC110.27(B).

### AERIAL PHOTO



### SITE DETAILS

ASHRAE MIN TEMP	-12°C
ASHRAE 2% HIGH TEMP	34°C
BUILDING OCCUPANCY	R-3
TYPE OF CONSTRUCTION	V-B
SPRINKLERS SYSTEM PER NFPA 13D	NO
# OF STORIES	2
WIND SPEED (ASCE 7-10)	120 MPH
WIND EXPOSURE	B
RISK CATEGORY	II
GROUND SNOW LOAD	15 PSF
SQUARE FOOTAGE	2948 SQ FT
UTILITY PROVIDER	DUKE ENERGY

**RENU ENERGY SOLUTIONS, LLC**  
 801 PRESSLEY ROAD, SUITE 100  
 CHARLOTTE, NORTH CAROLINA, 28217  
 704-525-6767 | RENUENERGYSOLUTIONS.COM

NC GC #76615  
 NC ELE #U.34519

PREPARED BY:  
 HIGH LINE DESIGNS  
 SCOTT TOYAMA

SCALE: 1/25"=1'-0"

SHEET SIZE: 11" x 17"

TEMPLATE V2.0

AHJ: HARNETT COUNTY

APN: 0643355902

DATE: 11/04/2024

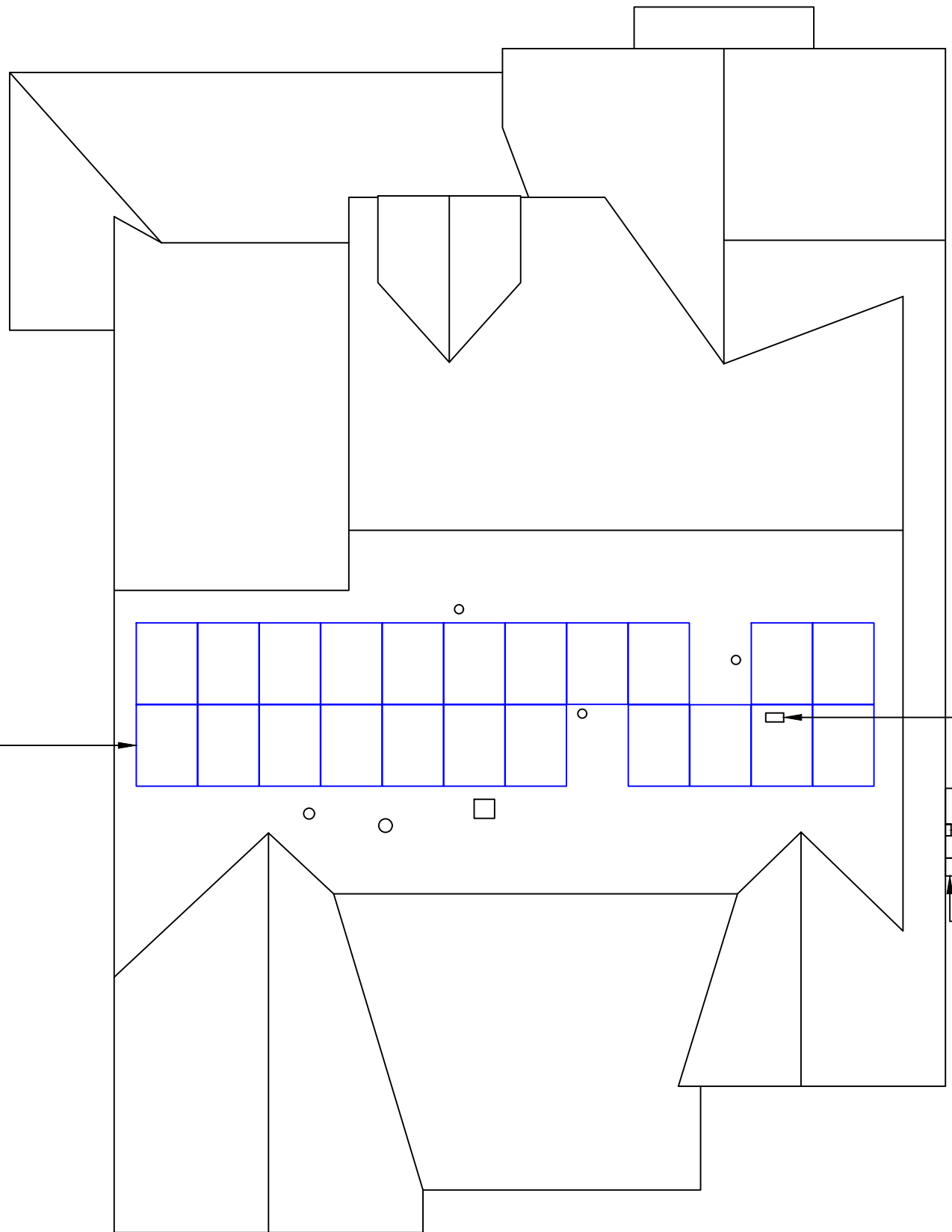
**RUTH ANNE HARTE**  
 218 HOOK DR  
 FUQUAY-VARINA, NC 27526

**PV-1**  
 COVER SHEET

# HOOK DR

PV ROOF COVERAGE				
(E) PV AREA [SQ FT]	(N) PV AREA [SQ FT]	TOTAL PV AREA [SQ FT]	TOTAL ROOF AREA [SQ FT]	PERCENTAGE COVERED BY PV
0	342.78	342.78	2988.69	11%

LEGEND
○ □ - ROOF OBSTRUCTION



(22) CERTAINTEED CT370HC11-06 MODULES WITH  
(08) TESLA SOLAR SHUTDOWN DEVICE MCI-2


- (E) PROTECTED LOADS PANEL
- (N) TESLA POWERWALL 3 (INTEGRATED DISCONNECT)
- (N) NON-FUSED AC DISCONNECT
- (N) TESLA GATEWAY 3
- (E) UTILITY METER
- (E) MAIN SERVICE PANEL



**RENU ENERGY SOLUTIONS, LLC**  
 801 PRESSLEY ROAD, SUITE 100  
 CHARLOTTE, NORTH CAROLINA, 28217  
 704-525-6767 | RENUENERGYSOLUTIONS.COM

NC GC #76615  
 NC ELE #U.34519

PREPARED BY:  
 HIGH LINE DESIGNS  
 SCOTT TOYAMA



SCALE: 1/8" = 1'-0"  
 SHEET SIZE: 11" x 17"  
 TEMPLATE V2.0

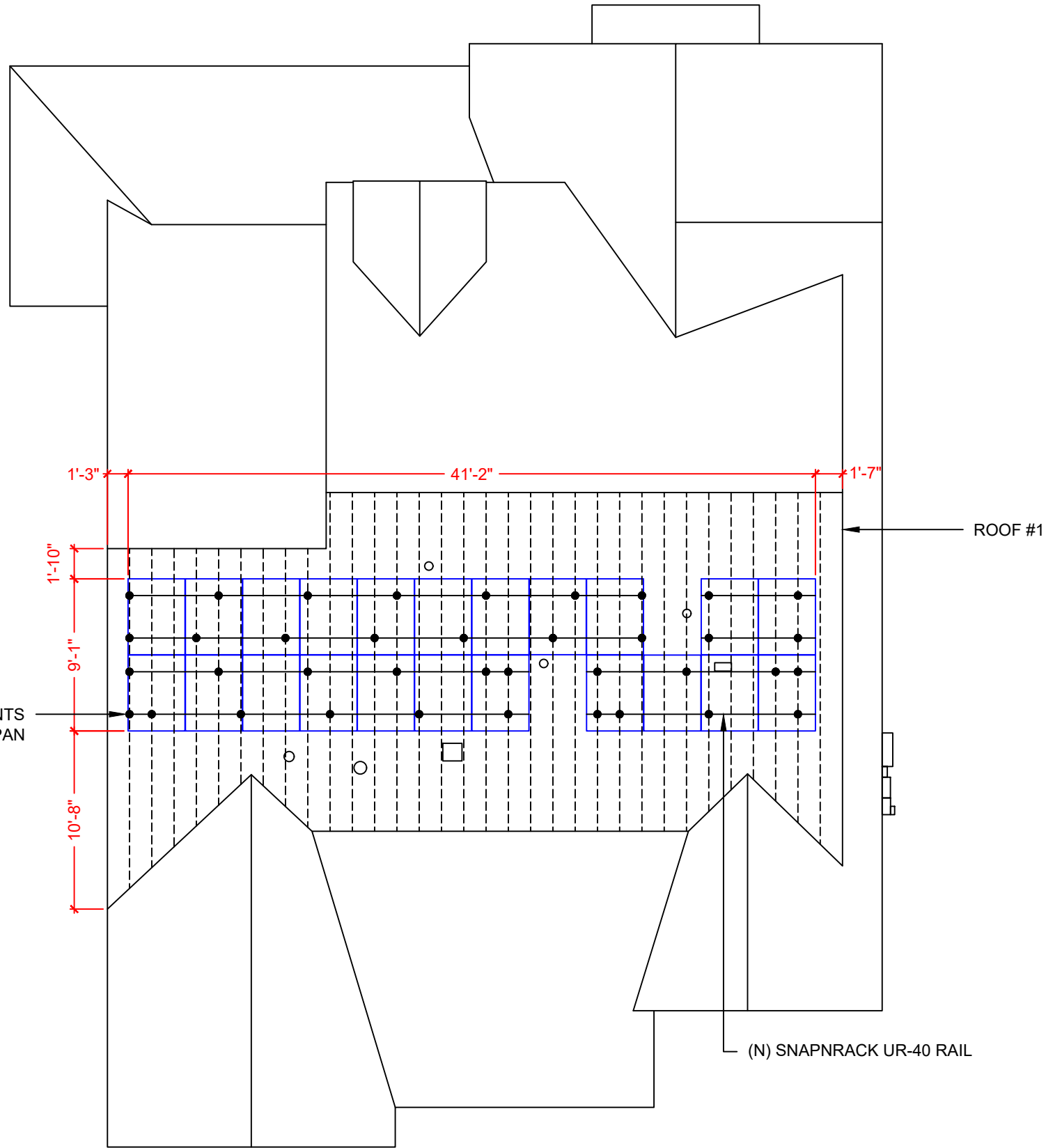
AHJ: HARNETT COUNTY  
 APN: 0643355902  
 DATE: 11/04/2024

**RUTH ANNE HARTE**  
 218 HOOK DR  
 FUQUAY-VARINA, NC 27526

**PV-2**  
 ROOF PLAN  
 & MODULES

LEGEND	
---	- RAFTER OR TRUSS
●	- ROOF ATTACHMENT
○ □	- ROOF OBSTRUCTION

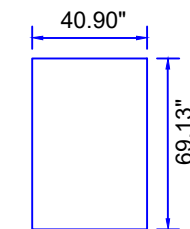
# HOOK DR



(38) SNAPRACK ANCHORFOOT ATTACHMENTS WITH MAX 64" O.C. SPAN

ROOF #1

(N) SNAPRACK UR-40 RAIL



MODULE : CERTAINTEED CT370HC11-06

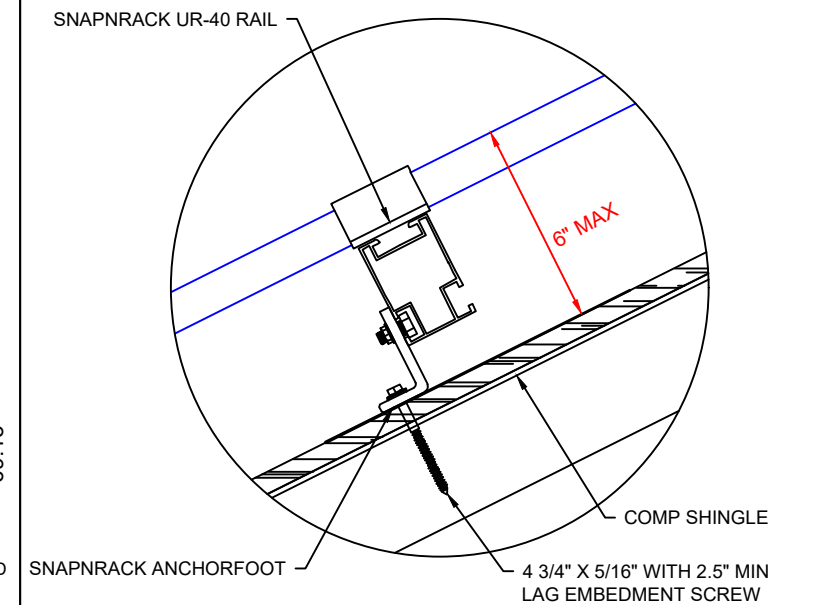
## ROOF DESCRIPTION

ROOF #	ROOF TILT	AZIMUTH	ROOF MATERIAL	RAFTER SIZE	RAFTER SPACING	MAX SPAN
#1	38°	225°	COMP SHINGLE	2" X 8"	16" O.C.	14'-10"

## STRUCTURAL INFORMATION

NUMBER OF MODULES	22	--
MODULE WEIGHT	45.19	LBS
TOTAL MODULE (ARRAY) WEIGHT	994.18	LBS
NUMBER OF ATTACHMENT POINT	38	--
MOUNTING SYSTEM WEIGHT (PER MODULE)	0.55	LBS
MOUNTING SYSTEM WEIGHT	20.90	LBS
TOTAL SYSTEM WEIGHT	1015.08	LBS
WEIGHT AT EACH ATTACHMENT POINT	26.16	LBS
MODULE AREA (69.13"X40.90")	19.63	SQFT
TOTAL ARRAY AREA	342.78	SQFT
DISTRIBUTED LOAD	2.96	PER SQFT

## ROOF ATTACHMENT DETAIL



**RENU ENERGY SOLUTIONS, LLC**  
 801 PRESSLEY ROAD, SUITE 100  
 CHARLOTTE, NORTH CAROLINA, 28217  
 704-525-6767 | RENUENERGYSOLUTIONS.COM

NC GC #76615  
 NC ELE #U.34519

PREPARED BY:  
 HIGH LINE DESIGNS  
 SCOTT TOYAMA

SCALE: 1/8" = 1'-0"

SHEET SIZE: 11" x 17"

TEMPLATE V2.0

AHJ: HARNETT COUNTY

APN: 0643355902

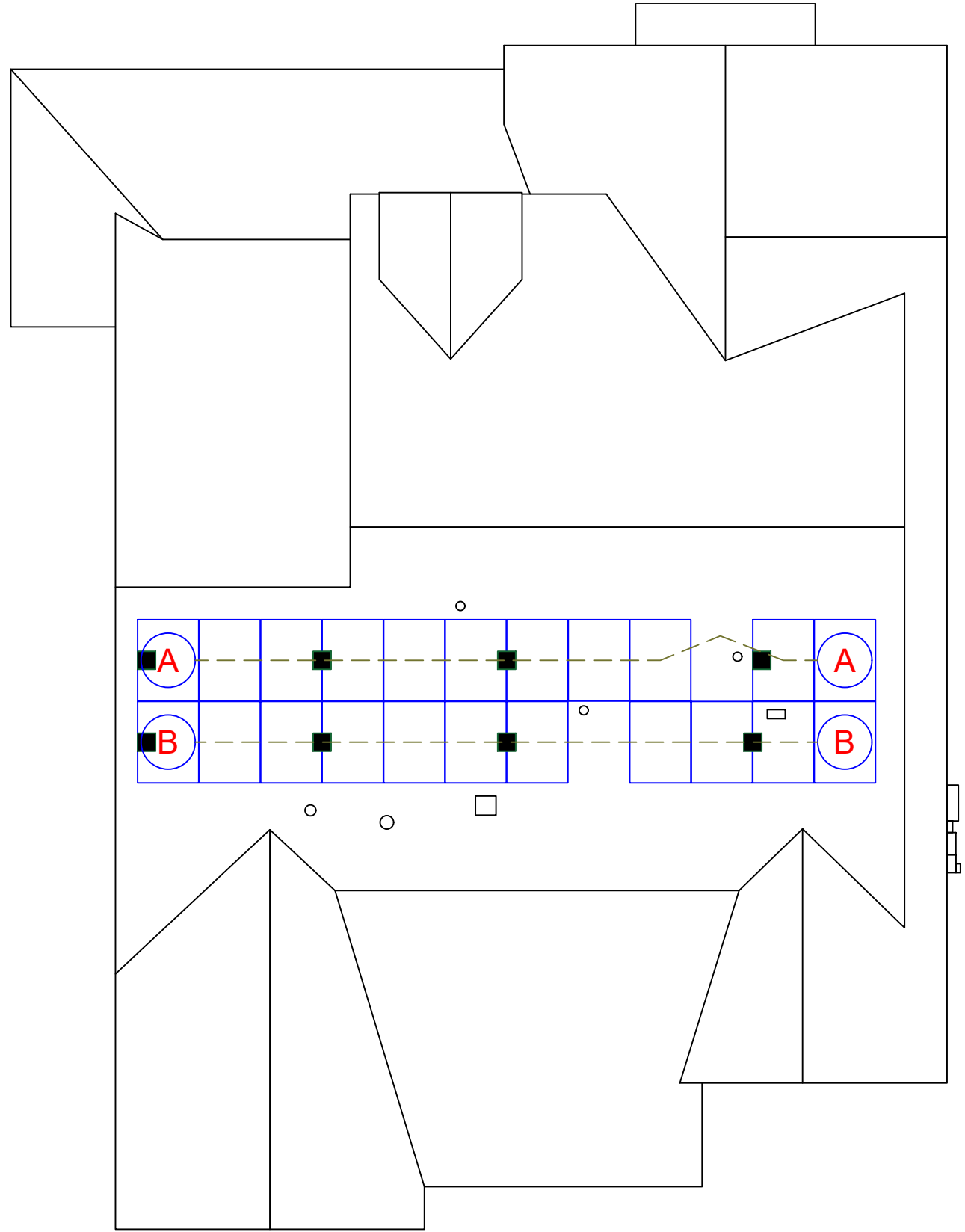
DATE: 11/04/2024

**RUTH ANNE HARTE**  
 218 HOOK DR  
 FUQUAY-VARINA, NC 27526

**PV-2A**  
 ROOF, MODULES  
 & ATTACHMENT  
 DETAILS


<b>LEGEND</b>
■ - TESLA SOLAR SHUTDOWN DEVICE MCI-2

HOOK DR



**RENU ENERGY SOLUTIONS, LLC**  
 801 PRESSLEY ROAD, SUITE 100  
 CHARLOTTE, NORTH CAROLINA, 28217  
 704-525-6767 | RENUENERGYSOLUTIONS.COM

NC GC #76615  
 NC ELE #U.34519

PREPARED BY:  
 HIGH LINE DESIGNS  
 SCOTT TOYAMA  


SCALE: 1/8" = 1'-0"  
 SHEET SIZE: 11" x 17"  
 TEMPLATE V2.0

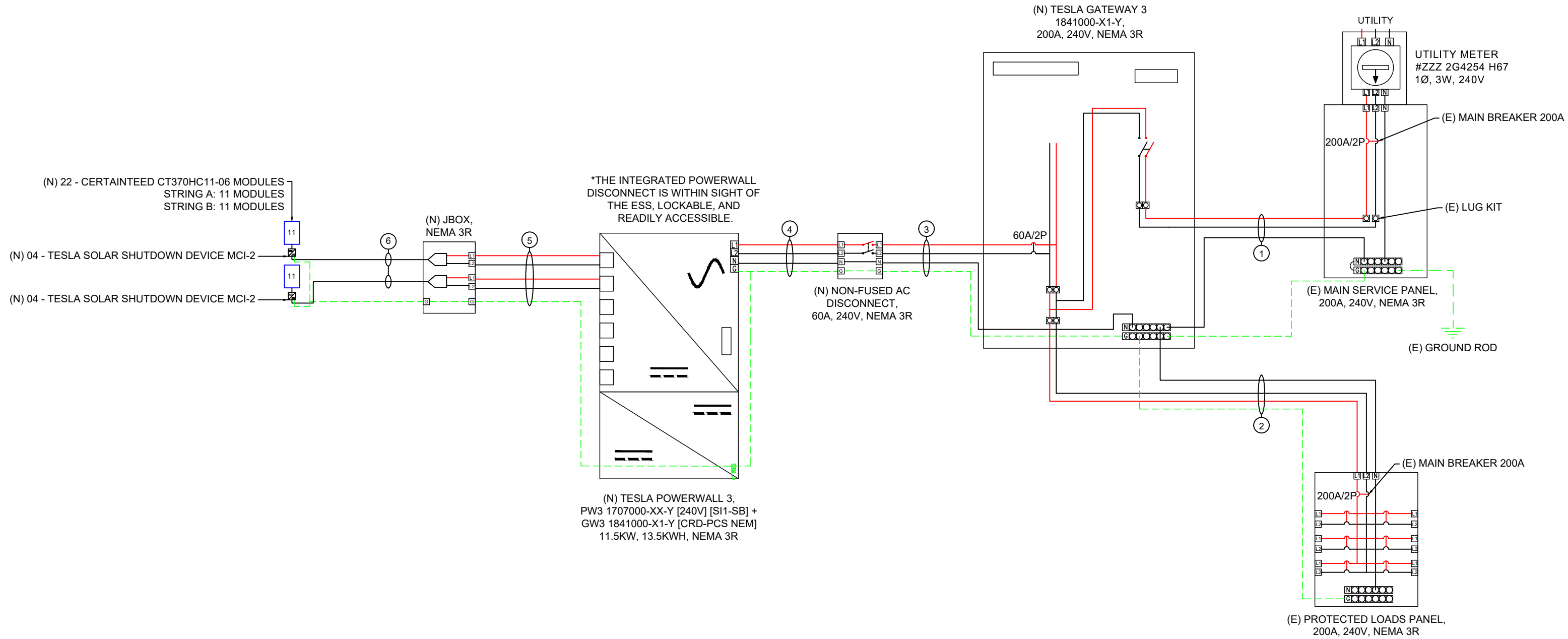
AHJ: HARNETT COUNTY  
 APN: 0643355902  
 DATE: 11/04/2024

**RUTH ANNE HARTE**  
 218 HOOK DR  
 FUQUAY-VARINA, NC 27526

**PV-3**  
 STRINGING  
 PAGE

ID	TYPICAL	CONDUCTOR	NEUTRAL	EGC	CONDUIT	CURRENT-CARRYING CONDUCTORS IN CONDUIT	OCPD	TEMP. CORR. FACTOR	CONDUIT FILL FACTOR	CONT. CURRENT	MAX CURRENT (125%)	BASE AMP.	DERATED AMP.	TERM TEMP. RATING	AMP. @ TERMINAL
1	1	4/0 AWG XHHW, ALUMINUM	4/0 AWG XHHW, ALUMINUM	N/A	2" DIA	2	N/A	0.96 (34°C)	1	160.0A	200.0A	205A	196.8A	75°C	180A
2	1	4/0 AWG XHHW, ALUMINUM	4/0 AWG XHHW, ALUMINUM	4 AWG XHHW, ALUMINUM	2" DIA	2	200A	0.96 (34°C)	1	160.0A	200.0A	205A	196.8A	75°C	180A
3	1	6 AWG THHN, COPPER	6 AWG THHN, COPPER	10 AWG THHN, COPPER	1" DIA	2	60A	0.96 (34°C)	1	48.0A	60.0A	75A	72.0A	75°C	65A
4	1	6 AWG THHN, COPPER	6 AWG THHN, COPPER	10 AWG THHN, COPPER	1" DIA	2	60A	0.96 (34°C)	1	48.0A	60.0A	75A	72.0A	75°C	65A
5	1	10 AWG THHN, COPPER	N/A	10 AWG THHN, COPPER	0.75" DIA	4	N/A	0.96 (34°C)	0.8	10.9A	13.6A	40A	30.7A	75°C	35A
6	2	10 AWG PV WIRE, COPPER	N/A	6 AWG SOLID BARE COPPER	FREE AIR	2	N/A	0.96 (34°C)	1	10.9A	13.6A	N/A	N/A	75°C	30A


NEW SOLAR PROJECT  
8.14 KW DC, 11.50 KW AC



**RENU ENERGY SOLUTIONS, LLC**  
801 PRESSLEY ROAD, SUITE 100  
CHARLOTTE, NORTH CAROLINA, 28217  
704-525-6767 | RENUENERGYSOLUTIONS.COM

NC GC #76615  
NC ELE #U.34519

PREPARED BY:  
HIGH LINE DESIGNS  
SCOTT TOYAMA



SCALE: NTS  
SHEET SIZE: 11" x 17"  
TEMPLATE V2.0

AHJ: HARNETT COUNTY  
APN: 0643355902  
DATE: 11/04/2024

**RUTH ANNE HARTE**  
218 HOOK DR  
FUQUAY-VARINA, NC 27526

**PV-4**  
THREE-LINE  
DIAGRAM

MODULES										
REF.	QTY.	MAKE AND MODEL	PMAX	PTC	ISC	IMP	VOC	VMP	TEMP. COFF. OF VOC	FUSE RATING
(N) PV MODULES	22	CERTAINTED CT370HC11-06	370W	345.72W	11.51A	10.87A	40.8V	34.06V	-0.29%/°C	20A

DISCONNECTS					
REF.	QTY.	MAKE AND MODEL	FUSES	RATED CURRENT	MAX RATED VOLTAGE
(N) DISCONNECT	1	EATON OR EQUIVALENT	N/A	60A	240V

OCPDS				
REF.	QTY.	MAKE AND MODEL	RATED CURRENT	MAX VOLTAGE
GATEWAY 3	1	EATON BR260	60A	240V

DESIGN TEMPERATURES	
ASHRAE EXTREME LOW	-12°C (10.4°F), SOURCE: RALEIGH DURHAM INTERNATIONAL
ASHRAE 2% HIGH	34°C (93.2°F), SOURCE: RALEIGH DURHAM INTERNATIONAL

**INVERTER OUTPUT CALCULATIONS & 705.12 COMPLIANCE**

INVERTER OUTPUT CIRCUIT	INVERTER OR ESS	# OF INVERTERS / ESS	CONTINUOUS OUTPUT	125% SAFETY FACTOR	TOTAL BACKFEED	MINIMUM BREAKER SIZE
#1	PW3	1	48.00A	125%	60.00A	60A

**VOC CALCULATION PER NEC 690.7(A)(1)**

MODULE	CT370HC11-06
# OF MODULES LARGEST STRING	11
ASHRAE MIN TEMP [°C]	-12
VOC [V]	40.8
TEMP COEF VOC [%/°C]	-0.29
TEMP ADJ VOC [V]	45.18
VOLTAGE OF LARGEST STRING [V]	496.96

**ELECTRICAL NOTES (APPLICABILITY BASED ON SCOPE OF WORK)**

AS-BUILT CHANGES TO THE ABOVE WIRING ARE PERMISSIBLE AS LONG AS SUBSTITUTIONS ARE CODE COMPLIANT. FOR EXAMPLE, APPROPRIATELY SIZED NM-B MAY BE USED FOR MICROINVERTER OUTPUT CIRCUITS IF INSTALLED IN ACCORDANCE WITH NEC ARTICLE 334, OR MC CABLE MAY BE USED FOR DC SOLAR STRINGS IF INSTALLED IN ACCORDANCE WITH NEC ARTICLE 330.

ALL OUTDOOR EQUIPMENT SHALL BE RAIN-TIGHT & HOLD A MINIMUM NEMA 3R RATING, INCLUDING ALL ROOF MOUNTED TRANSITION BOXES AND SWITCHES. CONDUCTORS EXPOSED TO WET CONDITIONS SHALL BE SUITABLE FOR USE IN WET CONDITIONS PER NEC 310.10(C).

ALL TERMINAL TEMPERATURES OF EQUIPMENT WILL BE VERIFIED TO BE RATED FOR 75°C, OR THE WIRE WILL NEED TO BE RESIZED USING THE 60°C TERMINAL TEMPERATURE RATINGS FOR 100A OR LESS.

ALL NM-B SHALL BE INSTALLED AND PROTECTED PER NEC 334, AND ALL SER CABLE SHALL BE INSTALLED AND PROTECTED PER NEC 338.

ALL ROOFTOP RACEWAYS AND CABLES EXPOSED TO DIRECT SUNLIGHT WILL BE INSTALLED >7/8" ABOVE THE ROOF.


ALL EQUIPMENT SHALL BE PROPERLY GROUNDED AND BONDED IN ACCORDANCE WITH NEC ARTICLE 250. A SUPPLEMENTAL GROUND ROD WILL BE DRIVEN IN ACCORDANCE WITH NEC 250.53(A)(3) IF THE EXISTING GROUND ROD HAS A RESISTANCE TO EARTH THAT IS GREATER THAN 25 OHMS.

IF ANY EXISTING LOAD CONDUCTORS ARE EXTENDED BY MORE THAN 6', AFCI PROTECTION WILL BE PROVIDED PER NEC 210.12(D).

PER NEC 690.47(A) PV SYSTEMS THAT ARE NOT SOLIDLY GROUNDED, THE EQUIPMENT GROUNDING CONDUCTOR FOR THE OUTPUT OF THE PV SYSTEMS SHALL BE PERMITTED TO BE THE CONNECTION TO GROUND FOR GROUND-FAULT PROTECTION AND EQUIPMENT GROUNDING OF THE PV ARRAY.

THE ESS CIRCUIT BREAKER SHALL BE SECURED IN PLACE BY AN ADDITIONAL FASTENER PER NEC 408.36(D).

NO SINGLE BACK-UP LOAD WILL BE LARGER THAN THE MAXIMUM CONTINUOUS OUTPUT OF THE ESS PER NEC 710.15(A).



**RENU ENERGY SOLUTIONS, LLC**  
 801 PRESSLEY ROAD, SUITE 100  
 CHARLOTTE, NORTH CAROLINA, 28217  
 704-525-6767 | RENUENERGYSOLUTIONS.COM

NC GC #76615  
 NC ELE #U.34519

PREPARED BY:  
 HIGH LINE DESIGNS  
 SCOTT TOYAMA



SCALE: NTS  
 SHEET SIZE: 11" x 17"  
 TEMPLATE V2.0

AHJ: HARNETT COUNTY  
 APN: 0643355902  
 DATE: 11/04/2024

**RUTH ANNE HARTE**  
 218 HOOK DR  
 FUQUAY-VARINA, NC 27526

**PV-4A**  
 DESIGN TABLES

**⚠ WARNING**  
ELECTRICAL SHOCK HAZARD  
TERMINALS ON THE LINE AND  
LOAD SIDES MAY BE ENERGIZED  
IN THE OPEN POSITION

**LABEL 1**  
AT EACH DISCONNECTING MEANS FOR  
PHOTOVOLTAIC EQUIPMENT (2" X 4").  
[NEC 690.13(B)].

**⚠ WARNING**  
POWER SOURCE  
OUTPUT CONNECTION  
DO NOT RELOCATE THIS  
OVERCURRENT DEVICE

**LABEL 2**  
AT POINT OF INTERCONNECTION  
OVERCURRENT DEVICE (2" X 4").  
[NEC 705.12(B)(3)(2)].

**PHOTOVOLTAIC SYSTEM  
AC DISCONNECT**

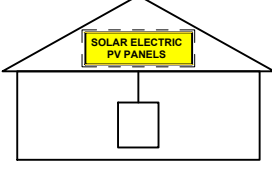
RATED AC OUTPUT CURRENT **48.00** A  
NOMINAL OPERATING AC VOLTAGE **240** V

**LABEL 3**  
AT POINT OF INTERCONNECTION, MARKED  
AT DISCONNECTING MEANS (4" X 2").  
[NEC 690.54]

**RAPID SHUTDOWN  
SWITCH FOR  
SOLAR PV SYSTEM**

**LABEL 4**  
AT RAPID SHUTDOWN DISCONNECT SWITCH (5  
1/4" X 2").  
[NEC 690.56(C)(3)].

**SOLAR PV SYSTEM  
EQUIPPED WITH  
RAPID SHUTDOWN**



TURN RAPID SHUTDOWN SWITCH TO  
THE "OFF" POSITION TO SHUT DOWN  
PV SYSTEM AND REDUCE SHOCK  
HAZARD IN ARRAY

**LABEL 5**  
AT RAPID SHUTDOWN SYSTEM  
(3 3/4" X 5 1/4"). [NEC 690.56(C)(1)(A)].

**⚠ WARNING**  
TRI POWER SUPPLY  
SOURCES: UTILITY GRID,  
PV SOLAR & BATTERY  
ELECTRIC SYSTEM

**LABEL 6**  
AT POINT OF INTERCONNECTION  
(2 3/4" X 1 5/8").

**WARNING: PHOTOVOLTAIC  
POWER SOURCE**

**LABEL 7**  
AT EXPOSED RACEWAYS, CABLE TRAYS, AND OTHER WIRING  
METHODS; SPACED AT MAXIMUM 10 FT SECTION OR WHERE  
SEPARATED BY ENCLOSURES, WALLS, PARTITIONS, CEILINGS,  
OR FLOORS (5 3/4" X 1 1/8").  
[NEC 690.31(G)]  
LETTERS AT LEAST 3/8 INCH; WHITE ON RED BACKGROUND;  
REFLECTIVE  
[IFC 605.11.1.1]

**MAIN BATTERY SYSTEM  
DISCONNECT**

**LABEL 8**  
LOCATED AT MAIN BATTERY DISCONNECT

**LABELING NOTES**  
1.1 LABELING REQUIREMENTS BASED ON THE 2020 NATIONAL ELECTRICAL CODE,  
INTERNATIONAL FIRE CODE 605.11, OSHA STANDARD 1910.145, ANSI Z535  
1.2 MATERIAL BASED ON THE REQUIREMENTS OF THE AUTHORITY HAVING  
JURISDICTION.  
1.3 LABELS TO BE OF SUFFICIENT DURABILITY TO WITHSTAND THE ENVIRONMENT  
INVOLVED.  
1.4 LABELS TO BE A MINIMUM LETTER HEIGHT OF 3/8" AND PERMANENTLY AFFIXED.  
1.5 ALERTING WORDS TO BE COLOR CODED. "DANGER" WILL HAVE RED  
BACKGROUND; "WARNING" WILL HAVE ORANGE BACKGROUND; "CAUTION" WILL HAVE  
YELLOW BACKGROUND. [ANSI Z535]

**RENU ENERGY SOLUTIONS, LLC**  
801 PRESSLEY ROAD, SUITE 100  
CHARLOTTE, NORTH CAROLINA, 28217  
704-525-6767 | RENUENERGYSOLUTIONS.COM

NC GC #76615  
NC ELE #U.34519

PREPARED BY:  
HIGH LINE DESIGNS  
SCOTT TOYAMA



SCALE: NTS

SHEET SIZE: 11" x 17"

TEMPLATE V2.0

AHJ: HARNETT COUNTY

APN: 0643355902

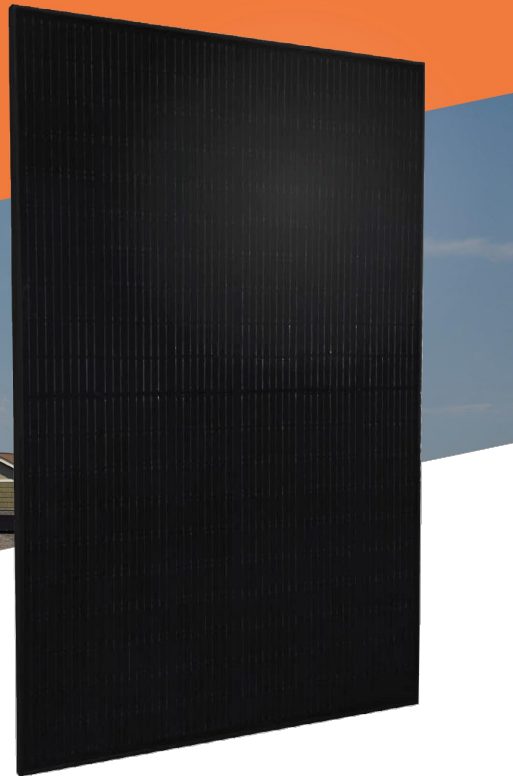
DATE: 11/04/2024

**RUTH ANNE HARTE**  
218 HOOK DR  
FUQUAY-VARINA, NC 27526

**PV-5**  
LABELS &  
PLACARDS

CertainTeed Solar

# CT SERIES 120 HALF-CELL SOLAR MODULES



## Half-Cell Monocrystalline Type

CT360HC11-06  
CT365HC11-06  
CT370HC11-06



## Features and Benefits

High Quality / High Power

- Up to 370W with black backsheet
- UL listed (UL 61730)
- Positive power output tolerance

Limited Warranty\*

- 25-year linear power output warranty

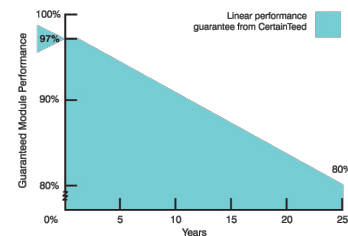
\*See CertainTeed's limited warranty for details



See reverse for product specifications



## Power Output Warranty



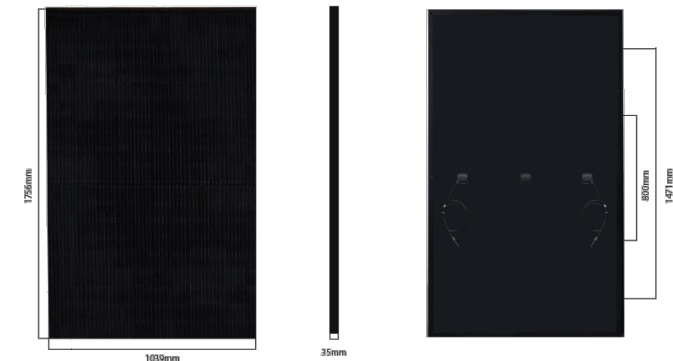
## Electrical Characteristics

		360W	365W	370W
Nominal Output (Pmpp)	W	360	365	370
Voltage at Pmax (Vmpp)	V	33.8	33.96	34.06
Current at Pmax (Impp)	A	10.66	10.75	10.87
Open Circuit Voltage (Voc)	V	40.6	40.7	40.8
Short Circuit Current (Isc)	A	11.24	11.36	11.51
Output Tolerance	W	-0 / + 5		
No. of Cells & Connections	120 half-cells with 3 bypass diodes			
Maximum Series Fuse Rating	20A			
Cell Type	Monocrystalline			
Module Efficiency	%	19.73	20.01	20.29
Temperature Coefficient of Pmpp	%/C	-0.36		
Temperature Coefficient of Voc	%/C	-0.29		
Temperature Coefficient of Isc	%/C	0.05		

## Mechanical Characteristics

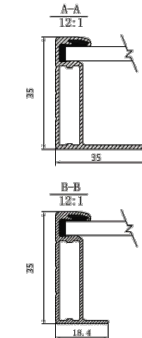
Laminate	Glass: 3.2 high transmission, tempered, anti-reflective Encapsulant: POE Backsheet: Weatherproof film (Black)
Frame	Anodized aluminum (Black)
Junction Box	IP68
Output Cables	4 mm <sup>2</sup> (12AWG) PV Wire, Length 1.2m (47.2")
Connectors	Polarized MC compatible
Weight	20.5 kg (45.19 lbs)

## Dimensions



## Operating Conditions

Nominal Operating Cell Temp.	44+/-2° C
Operating Temperature	-40 to 85° C
Maximum System Voltage	1,500V
Fire Performance	Class C / Type 1
Maximum Wind Load	210mph wind speed (5400 Pa)
Maximum Snow Load	112 lbs/ft <sup>2</sup> (5400 Pa)



### CertainTeed

CEILINGS • DECKING • FENCE • GYPSUM • INSULATION • RAILING • ROOFING • SIDING • TRIM  
20 Moores Road Malvern, PA 19355 Professional: 800-233-8990 Consumer: 800-782-8777 certainteed.com

© 2/20 CertainTeed, Printed in the USA, Code No. PV-01-020

**RENU ENERGY SOLUTIONS, LLC**  
801 PRESSLEY ROAD, SUITE 100  
CHARLOTTE, NORTH CAROLINA, 28217  
704-525-6767 | RENUENERGYSOLUTIONS.COM

NC GC #76615  
NC ELE #U.34519

PREPARED BY:  
HIGH LINE DESIGNS  
SCOTT TOYAMA

SCALE: NTS  
SHEET SIZE: 11" x 17"  
TEMPLATE V2.0

AHJ: HARNETT COUNTY  
APN: 0643355902  
DATE: 11/04/2024

**RUTH ANNE HARTE**  
218 HOOK DR  
FUQUAY-VARINA, NC 27526

**PV-6**  
EQUIPMENT  
DATASHEET



## Powerwall 3 Technical Specifications

### System Technical Specifications

Model Number	1707000-xx-y			
Nominal Grid Voltage (Input & Output)	120/240 VAC			
Grid Type	Split phase			
Frequency	60 Hz			
Nominal Battery Energy	13.5 kWh AC <sup>1</sup>			
Nominal Output Power (AC)	5.8 kW	7.6 kW	10 kW	11.5 kW
Maximum Apparent Power	5,800 VA	7,600 VA	10,000 VA	11,500 VA
Maximum Continuous Current	24 A	31.7 A	41.7 A	48 A
Overcurrent Protection Device <sup>2</sup>	30 A	40 A	60 A	60 A
Maximum Continuous Charge Current / Power	20.8 A AC / 5 kW			
Output Power Factor Rating	0 - 1 (Grid Code configurable)			
Maximum Output Fault Current (1 s)	160 A			
Maximum Short-Circuit Current Rating	10 kA			
Load Start Capability	185 LRA			
Solar to Battery to Home/Grid Efficiency	89% <sup>1,3</sup>			
Solar to Home/Grid Efficiency	97.5% <sup>4</sup>			
Power Scalability	Up to 4 Powerwall 3 units supported			
Energy Scalability	Up to 3 Expansion units (for a maximum total of 7 units)			
Supported Islanding Devices	Gateway 3, Backup Switch, Backup Gateway 2			
Connectivity	Wi-Fi (2.4 and 5 GHz), Ethernet, Cellular (LTE/4G <sup>5</sup> )			
Hardware Interface	Dry contact relay, Rapid Shutdown (RSD) certified switch and 2-pin connector, RS-485 for meters			
AC Metering	Revenue Grade (+/- 0.5%, ANSI C12.20)			
Protections	Integrated arc fault circuit interrupter (AFCI), Isolation Monitor Interrupter (IMI), PV Rapid Shutdown (RSD) using Tesla Mid-Circuit Interrupters			
Customer Interface	Tesla Mobile App			
Warranty	10 years			

### Solar Technical Specifications

Maximum Solar STC Input	20 kW
Withstand Voltage	600 V DC
PV DC Input Voltage Range	60 — 550 V DC
PV DC MPPT Voltage Range	60 — 480 V DC
MPPTs	6
Maximum Current per MPPT ( $I_{mp}$ )	13 A <sup>6</sup>
Maximum Short Circuit Current per MPPT ( $I_{sc}$ )	15 A <sup>6</sup>

<sup>1</sup> Values provided for 25°C (77°F), at beginning of life. 3.3 kW charge/discharge power.

<sup>2</sup> See [Powerwall 3 Installation Manual](#) for fuse requirements if using fuse for overcurrent protection.

<sup>3</sup> Typical solar shifting use case.

<sup>4</sup> Tested using CEC weighted efficiency methodology.

<sup>5</sup> The customer is expected to provide internet connectivity for Powerwall 3; cellular should not be used as the primary mode of connectivity. Cellular connectivity subject to network operator service coverage and signal strength.

<sup>6</sup> Where the DC input current exceeds the MPPT rating, a jumper can be used to combine two MPPTs into a single input to intake DC current up to 26 A  $I_{mp}$  / 30 A  $I_{sc}$ .

## Powerwall 3 Technical Specifications

### Environmental Specifications

Operating Temperature	-20°C to 50°C (-4°F to 122°F) <sup>7</sup>
Operating Humidity (RH)	Up to 100%, condensing
Storage Temperature	-20°C to 30°C (-4°F to 86°F), up to 95% RH, non-condensing, State of Energy (SOE): 25% initial
Maximum Elevation	3000 m (9843 ft)
Environment	Indoor and outdoor rated
Enclosure Rating	NEMA 3R
Ingress Rating	IP67 (Battery & Power Electronics) IP55 (Wiring Compartment)
Pollution Rating	PD3
Operating Noise @ 1 m	< 50 db(A) typical < 62 db(A) maximum

<sup>7</sup> Performance may be de-rated at operating temperatures above 40°C (104°F).

### Compliance Information

Certifications	UL 1741, UL 9540, UL 9540A, UL 3741, UL 1741 PCS, UL 1741 SA, UL 1741 SB, UL 1973, UL 1699B, UL 1998, CSA C22.2 No. 0.8, CSA C22.2 No. 107.1, CSA C22.2 No. 330, CSA 22.3 No. 9, IEC 60384-14, IEC 60384-14-1, IEC 60384-14-2, IEC 60384-14-3, IEC 60384-14-4, IEC 60384-14-5, IEC 60384-14-6, IEC 60384-14-7, IEC 60384-14-8, IEC 60384-14-9, IEC 60384-14-10, IEC 60384-14-11, IEC 60384-14-12, IEC 60384-14-13, IEC 60384-14-14, IEC 60384-14-15, IEC 60384-14-16, IEC 60384-14-17, IEC 60384-14-18, IEC 60384-14-19, IEC 60384-14-20, IEC 60384-14-21, IEC 60384-14-22, IEC 60384-14-23, IEC 60384-14-24, IEC 60384-14-25, IEC 60384-14-26, IEC 60384-14-27, IEC 60384-14-28, IEC 60384-14-29, IEC 60384-14-30, IEC 60384-14-31, IEC 60384-14-32, IEC 60384-14-33, IEC 60384-14-34, IEC 60384-14-35, IEC 60384-14-36, IEC 60384-14-37, IEC 60384-14-38, IEC 60384-14-39, IEC 60384-14-40, IEC 60384-14-41, IEC 60384-14-42, IEC 60384-14-43, IEC 60384-14-44, IEC 60384-14-45, IEC 60384-14-46, IEC 60384-14-47, IEC 60384-14-48, IEC 60384-14-49, IEC 60384-14-50, IEC 60384-14-51, IEC 60384-14-52, IEC 60384-14-53, IEC 60384-14-54, IEC 60384-14-55, IEC 60384-14-56, IEC 60384-14-57, IEC 60384-14-58, IEC 60384-14-59, IEC 60384-14-60, IEC 60384-14-61, IEC 60384-14-62, IEC 60384-14-63, IEC 60384-14-64, IEC 60384-14-65, IEC 60384-14-66, IEC 60384-14-67, IEC 60384-14-68, IEC 60384-14-69, IEC 60384-14-70, IEC 60384-14-71, IEC 60384-14-72, IEC 60384-14-73, IEC 60384-14-74, IEC 60384-14-75, IEC 60384-14-76, IEC 60384-14-77, IEC 60384-14-78, IEC 60384-14-79, IEC 60384-14-80, IEC 60384-14-81, IEC 60384-14-82, IEC 60384-14-83, IEC 60384-14-84, IEC 60384-14-85, IEC 60384-14-86, IEC 60384-14-87, IEC 60384-14-88, IEC 60384-14-89, IEC 60384-14-90, IEC 60384-14-91, IEC 60384-14-92, IEC 60384-14-93, IEC 60384-14-94, IEC 60384-14-95, IEC 60384-14-96, IEC 60384-14-97, IEC 60384-14-98, IEC 60384-14-99, IEC 60384-14-100, IEC 60384-14-101, IEC 60384-14-102, IEC 60384-14-103, IEC 60384-14-104, IEC 60384-14-105, IEC 60384-14-106, IEC 60384-14-107, IEC 60384-14-108, IEC 60384-14-109, IEC 60384-14-110, IEC 60384-14-111, IEC 60384-14-112, IEC 60384-14-113, IEC 60384-14-114, IEC 60384-14-115, IEC 60384-14-116, IEC 60384-14-117, IEC 60384-14-118, IEC 60384-14-119, IEC 60384-14-120, IEC 60384-14-121, IEC 60384-14-122, IEC 60384-14-123, IEC 60384-14-124, IEC 60384-14-125, IEC 60384-14-126, IEC 60384-14-127, IEC 60384-14-128, IEC 60384-14-129, IEC 60384-14-130, IEC 60384-14-131, IEC 60384-14-132, IEC 60384-14-133, IEC 60384-14-134, IEC 60384-14-135, IEC 60384-14-136, IEC 60384-14-137, IEC 60384-14-138, IEC 60384-14-139, IEC 60384-14-140, IEC 60384-14-141, IEC 60384-14-142, IEC 60384-14-143, IEC 60384-14-144, IEC 60384-14-145, IEC 60384-14-146, IEC 60384-14-147, IEC 60384-14-148, IEC 60384-14-149, IEC 60384-14-150, IEC 60384-14-151, IEC 60384-14-152, IEC 60384-14-153, IEC 60384-14-154, IEC 60384-14-155, IEC 60384-14-156, IEC 60384-14-157, IEC 60384-14-158, IEC 60384-14-159, IEC 60384-14-160, IEC 60384-14-161, IEC 60384-14-162, IEC 60384-14-163, IEC 60384-14-164, IEC 60384-14-165, IEC 60384-14-166, IEC 60384-14-167, IEC 60384-14-168, IEC 60384-14-169, IEC 60384-14-170, IEC 60384-14-171, IEC 60384-14-172, IEC 60384-14-173, IEC 60384-14-174, IEC 60384-14-175, IEC 60384-14-176, IEC 60384-14-177, IEC 60384-14-178, IEC 60384-14-179, IEC 60384-14-180, IEC 60384-14-181, IEC 60384-14-182, IEC 60384-14-183, IEC 60384-14-184, IEC 60384-14-185, IEC 60384-14-186, IEC 60384-14-187, IEC 60384-14-188, IEC 60384-14-189, IEC 60384-14-190, IEC 60384-14-191, IEC 60384-14-192, IEC 60384-14-193, IEC 60384-14-194, IEC 60384-14-195, IEC 60384-14-196, IEC 60384-14-197, IEC 60384-14-198, IEC 60384-14-199, IEC 60384-14-200, IEC 60384-14-201, IEC 60384-14-202, IEC 60384-14-203, IEC 60384-14-204, IEC 60384-14-205, IEC 60384-14-206, IEC 60384-14-207, IEC 60384-14-208, IEC 60384-14-209, IEC 60384-14-210, IEC 60384-14-211, IEC 60384-14-212, IEC 60384-14-213, IEC 60384-14-214, IEC 60384-14-215, IEC 60384-14-216, IEC 60384-14-217, IEC 60384-14-218, IEC 60384-14-219, IEC 60384-14-220, IEC 60384-14-221, IEC 60384-14-222, IEC 60384-14-223, IEC 60384-14-224, IEC 60384-14-225, IEC 60384-14-226, IEC 60384-14-227, IEC 60384-14-228, IEC 60384-14-229, IEC 60384-14-230, IEC 60384-14-231, IEC 60384-14-232, IEC 60384-14-233, IEC 60384-14-234, IEC 60384-14-235, IEC 60384-14-236, IEC 60384-14-237, IEC 60384-14-238, IEC 60384-14-239, IEC 60384-14-240, IEC 60384-14-241, IEC 60384-14-242, IEC 60384-14-243, IEC 60384-14-244, IEC 60384-14-245, IEC 60384-14-246, IEC 60384-14-247, IEC 60384-14-248, IEC 60384-14-249, IEC 60384-14-250, IEC 60384-14-251, IEC 60384-14-252, IEC 60384-14-253, IEC 60384-14-254, IEC 60384-14-255, IEC 60384-14-256, IEC 60384-14-257, IEC 60384-14-258, IEC 60384-14-259, IEC 60384-14-260, IEC 60384-14-261, IEC 60384-14-262, IEC 60384-14-263, IEC 60384-14-264, IEC 60384-14-265, IEC 60384-14-266, IEC 60384-14-267, IEC 60384-14-268, IEC 60384-14-269, IEC 60384-14-270, IEC 60384-14-271, IEC 60384-14-272, IEC 60384-14-273, IEC 60384-14-274, IEC 60384-14-275, IEC 60384-14-276, IEC 60384-14-277, IEC 60384-14-278, IEC 60384-14-279, IEC 60384-14-280, IEC 60384-14-281, IEC 60384-14-282, IEC 60384-14-283, IEC 60384-14-284, IEC 60384-14-285, IEC 60384-14-286, IEC 60384-14-287, IEC 60384-14-288, IEC 60384-14-289, IEC 60384-14-290, IEC 60384-14-291, IEC 60384-14-292, IEC 60384-14-293, IEC 60384-14-294, IEC 60384-14-295, IEC 60384-14-296, IEC 60384-14-297, IEC 60384-14-298, IEC 60384-14-299, IEC 60384-14-300, IEC 60384-14-301, IEC 60384-14-302, IEC 60384-14-303, IEC 60384-14-304, IEC 60384-14-305, IEC 60384-14-306, IEC 60384-14-307, IEC 60384-14-308, IEC 60384-14-309, IEC 60384-14-310, IEC 60384-14-311, IEC 60384-14-312, IEC 60384-14-313, IEC 60384-14-314, IEC 60384-14-315, IEC 60384-14-316, IEC 60384-14-317, IEC 60384-14-318, IEC 60384-14-319, IEC 60384-14-320, IEC 60384-14-321, IEC 60384-14-322, IEC 60384-14-323, IEC 60384-14-324, IEC 60384-14-325, IEC 60384-14-326, IEC 60384-14-327, IEC 60384-14-328, IEC 60384-14-329, IEC 60384-14-330, IEC 60384-14-331, IEC 60384-14-332, IEC 60384-14-333, IEC 60384-14-334, IEC 60384-14-335, IEC 60384-14-336, IEC 60384-14-337, IEC 60384-14-338, IEC 60384-14-339, IEC 60384-14-340, IEC 60384-14-341, IEC 60384-14-342, IEC 60384-14-343, IEC 60384-14-344, IEC 60384-14-345, IEC 60384-14-346, IEC 60384-14-347, IEC 60384-14-348, IEC 60384-14-349, IEC 60384-14-350, IEC 60384-14-351, IEC 60384-14-352, IEC 60384-14-353, IEC 60384-14-354, IEC 60384-14-355, IEC 60384-14-356, IEC 60384-14-357, IEC 60384-14-358, IEC 60384-14-359, IEC 60384-14-360, IEC 60384-14-361, IEC 60384-14-362, IEC 60384-14-363, IEC 60384-14-364, IEC 60384-14-365, IEC 60384-14-366, IEC 60384-14-367, IEC 60384-14-368, IEC 60384-14-369, IEC 60384-14-370, IEC 60384-14-371, IEC 60384-14-372, IEC 60384-14-373, IEC 60384-14-374, IEC 60384-14-375, IEC 60384-14-376, IEC 60384-14-377, IEC 60384-14-378, IEC 60384-14-379, IEC 60384-14-380, IEC 60384-14-381, IEC 60384-14-382, IEC 60384-14-383, IEC 60384-14-384, IEC 60384-14-385, IEC 60384-14-386, IEC 60384-14-387, IEC 60384-14-388, IEC 60384-14-389, IEC 60384-14-390, IEC 60384-14-391, IEC 60384-14-392, IEC 60384-14-393, IEC 60384-14-394, IEC 60384-14-395, IEC 60384-14-396, IEC 60384-14-397, IEC 60384-14-398, IEC 60384-14-399, IEC 60384-14-400, IEC 60384-14-401, IEC 60384-14-402, IEC 60384-14-403, IEC 60384-14-404, IEC 60384-14-405, IEC 60384-14-406, IEC 60384-14-407, IEC 60384-14-408, IEC 60384-14-409, IEC 60384-14-410, IEC 60384-14-411, IEC 60384-14-412, IEC 60384-14-413, IEC 60384-14-414, IEC 60384-14-415, IEC 60384-14-416, IEC 60384-14-417, IEC 60384-14-418, IEC 60384-14-419, IEC 60384-14-420, IEC 60384-14-421, IEC 60384-14-422, IEC 60384-14-423, IEC 60384-14-424, IEC 60384-14-425, IEC 60384-14-426, IEC 60384-14-427, IEC 60384-14-428, IEC 60384-14-429, IEC 60384-14-430, IEC 60384-14-431, IEC 60384-14-432, IEC 60384-14-433, IEC 60384-14-434, IEC 60384-14-435, IEC 60384-14-436, IEC 60384-14-437, IEC 60384-14-438, IEC 60384-14-439, IEC 60384-14-440, IEC 60384-14-441, IEC 60384-14-442, IEC 60384-14-443, IEC 60384-14-444, IEC 60384-14-445, IEC 60384-14-446, IEC 60384-14-447, IEC 60384-14-448, IEC 60384-14-449, IEC 60384-14-450, IEC 60384-14-451, IEC 60384-14-452, IEC 60384-14-453, IEC 60384-14-454, IEC 60384-14-455, IEC 60384-14-456, IEC 60384-14-457, IEC 60384-14-458, IEC 60384-14-459, IEC 60384-14-460, IEC 60384-14-461, IEC 60384-14-462, IEC 60384-14-463, IEC 60384-14-464, IEC 60384-14-465, IEC 60384-14-466, IEC 60384-14-467, IEC 60384-14-468, IEC 60384-14-469, IEC 60384-14-470, IEC 60384-14-471, IEC 60384-14-472, IEC 60384-14-473, IEC 60384-14-474, IEC 60384-14-475, IEC 60384-14-476, IEC 60384-14-477, IEC 60384-14-478, IEC 60384-14-479, IEC 60384-14-480, IEC 60384-14-481, IEC 60384-14-482, IEC 60384-14-483, IEC 60384-14-484, IEC 60384-14-485, IEC 60384-14-486, IEC 60384-14-487, IEC 60384-14-488, IEC 60384-14-489, IEC 60384-14-490, IEC 60384-14-491, IEC 60384-14-492, IEC 60384-14-493, IEC 60384-14-494, IEC 60384-14-495, IEC 60384-14-496, IEC 60384-14-497, IEC 60384-14-498, IEC 60384-14-499, IEC 60384-14-500, IEC 60384-14-501, IEC 60384-14-502, IEC 60384-14-503, IEC 60384-14-504, IEC 60384-14-505, IEC 60384-14-506, IEC 60384-14-507, IEC 60384-14-508, IEC 60384-14-509, IEC 60384-14-510, IEC 60384-14-511, IEC 60384-14-512, IEC 60384-14-513, IEC 60384-14-514, IEC 60384-14-515, IEC 60384-14-516, IEC 60384-14-517, IEC 60384-14-518, IEC 60384-14-519, IEC 60384-14-520, IEC 60384-14-521, IEC 60384-14-522, IEC 60384-14-523, IEC 60384-14-524, IEC 60384-14-525, IEC 60384-14-526, IEC 60384-14-527, IEC 60384-14-528, IEC 60384-14-529, IEC 60384-14-530, IEC 60384-14-531, IEC 60384-14-532, IEC 60384-14-533, IEC 60384-14-534, IEC 60384-14-535, IEC 60384-14-536, IEC 60384-14-537, IEC 60384-14-538, IEC 60384-14-539, IEC 60384-14-540, IEC 60384-14-541, IEC 60384-14-542, IEC 60384-14-543, IEC 60384-14-544, IEC 60384-14-545, IEC 60384-14-546, IEC 60384-14-547, IEC 60384-14-548, IEC 60384-14-549, IEC 60384-14-550, IEC 60384-14-551, IEC 60384-14-552, IEC 60384-14-553, IEC 60384-14-554, IEC 60384-14-555, IEC 60384-14-556, IEC 60384-14-557, IEC 60384-14-558, IEC 60384-14-559, IEC 60384-14-560, IEC 60384-14-561, IEC 60384-14-562, IEC 60384-14-563, IEC 60384-14-564, IEC 60384-14-565, IEC 60384-14-566, IEC 60384-14-567, IEC 60384-14-568, IEC 60384-14-569, IEC 60384-14-570, IEC 60384-14-571, IEC 60384-14-572, IEC 60384-14-573, IEC 60384-14-574, IEC 60384-14-575, IEC 60384-14-576, IEC 60384-14-577, IEC 60384-14-578, IEC 60384-14-579, IEC 60384-14-580, IEC 60384-14-581, IEC 60384-14-582, IEC 60384-14-583, IEC 60384-14-584, IEC 60384-14-585, IEC 60384-14-586, IEC 60384-14-587, IEC 60384-14-588, IEC 60384-14-589, IEC 60384-14-590, IEC 60384-14-591, IEC 60384-14-592, IEC 60384-14-593, IEC 60384-14-594, IEC 60384-14-595, IEC 60384-14-596, IEC 60384-14-597, IEC 60384-14-598, IEC 60384-14-599, IEC 60384-14-600, IEC 60384-14-601, IEC 60384-14-602, IEC 60384-14-603, IEC 60384-14-604, IEC 60384-14-605, IEC 60384-14-606, IEC 60384-14-607, IEC 60384-14-608
----------------	---

## Solar Shutdown Device Technical Specifications

The Solar Shutdown Device is a Mid-Circuit Interrupter (MCI) and is part of the PV system rapid shutdown (RSD) function in accordance with Article 690 of the applicable NEC. When paired with Powerwall 3, solar array shutdown is initiated by any loss of AC power.

### Electrical Specifications

Model	MCI-1	MCI-2
Nominal Input DC Current Rating ( $I_{MP}$ )	13 A	13 A
Maximum Input Short Circuit Current ( $I_{SC}$ )	19 A	17 A
Maximum System Voltage (PVHCS)	600 V DC	1000 V DC <sup>13</sup>
Maximum Disconnect Voltage <sup>14</sup>	600 V DC	165 V DC

<sup>13</sup> Maximum System Voltage is limited by Powerwall to 600 V DC.

<sup>14</sup> Maximum Disconnect Voltage is the maximum voltage allowed across each MCI in the open position (Rapid Shutdown Initiated). An individual MCI-2 has a voltage rating of 165V but in combination (connected in the same string) their voltage ratings are additive.

### RSD Module Performance

Maximum Number of Devices per String	5
Control	Power Line Excitation
Passive State	Normally Open
Maximum Power Consumption	7 W
Warranty	25 years

### Environmental Specifications

Operating Temperature	-40°C to 50°C (-40°F to 122°F)	-45°C to 70°C (-49°F to 158°F)
Storage Temperature	-30°C to 70°C (-22°F to 158°F)	-30°C to 70°C (-22°F to 158°F)
Enclosure Rating	NEMA 4X / IP65	

### Mechanical Specifications

Electrical Connections	MC4 Connector	
Housing	Plastic	
Dimensions	125 x 150 x 22 mm (5 x 6 x 1 in)	173 x 45 x 22 mm (6.8 x 1.8 x 1 in)
Weight	350 g (0.77 lb)	120 g (0.26 lb)
Mounting Options	ZEP Home Run Clip M4 Screw (#10) M8 Bolt (5/16") Nail / Wood screw	Wire Clip

### Compliance Information

Certifications	UL 1741 PVRSE, UL 3741, PVRSA (Photovoltaic Rapid Shutdown Array)
RSD Initiation Method	External System Shutdown Switch or Powerwall 3 Enable Switch

### UL 3741 PV Hazard Control (and PVRSA) Compatibility

See [UL 3741 Application Addendum](#)

2024

Powerwall 3 Datasheet

5

TESLA

TEPV-DS-0023-22

1

## PV HAZARD CONTROL SYSTEM | GENERIC PV ARRAY

UL 3741 REPORT DATE 4-06-22 Tesla Inverter Based PVHCS, Consisting of Tesla Inverters, Tesla MCI and other PV RAPID SHUTDOWN ARRAY listed components to create the system

WARNING: To reduce the risk of injury, read all instructions.

### PV HAZARD CONTROL EQUIPMENT AND COMPONENTS

Function	Manufacturer	Model No.	Firmware Versions	Certification Standard
Inverter or Powerwall+	Tesla	7.6 kW: 1538000 <sup>1</sup> 3.8 kW: 1534000 <sup>1</sup> 7.6 kW: 1850000 <sup>1</sup>	V4, CEA4F802 V4, FF7BE4E1 V4, CEA4F802	UL 1741, UL 1998, PVRSS/PVRSE
Mid Circuit Interrupter (MCI)	Tesla	MCI-1, MCI-2	N/A	UL 1741 PVRSE
PV Modules	The PVHC PV modules must be listed by a NRTL to UL 1703 and/or UL 61730-1 and UL 61730-2 (excluding Class 0 and Class I).			
PV Mounting System	The PV mounting system must comply with one of the following: <ul style="list-style-type: none"> <li>Listed by NRTL to UL 2703 and rated for use with the specific PV modules noted above.</li> <li>The non-certified combinations of mounting and PV modules shall be evaluated for loading, mounting and grounding per the NEC and other applicable installation codes.</li> </ul>			
PV Connectors	The following PV connectors may be used to connect to the Tesla MCIs: <ul style="list-style-type: none"> <li>Staubli type PV-KST4/6II-UR or type PV-KST4-EVO2 (male),</li> <li>Staubli type PV-KBT4/6II-UR or PV-KBT4-EVO2 (female),</li> <li>Staubli Branch Socket PV-AZB4 and Branch Plug PV-AZS4,</li> <li>Connectors evaluated by an NRTL for intermatibility with the connectors above.</li> </ul>			
PVHCS Initiator: (PV Inverter)	Dedicated PV system AC circuit breaker or AC disconnect switch, labeled per NEC 690.12 requirements.			N/A
PVHCS Initiator: (Powerwall+)	Emergency stop device (NISD)- Listed "Emergency Stop Button" or "Emergency Stop Device" or "Emergency Stop Unit".			UL 508 or UL 60947 Parts 1, 5-1 and 5-5.

<sup>1</sup> Applies to variations of this part number with suffix of two numbers and one letter.

Note: PVHCS installation requirements may reduce the effective equipment and component ratings below the individual equipment and component PVRSE ratings in order to achieve PVHCS shock hazard reduction requirements.

### PVHCS INSTALLATION REQUIREMENTS

Max System Voltage	600 Vdc
PVHCS Maximum Circuit Voltage (Array Internal Voltage After Actuation)	165 Vdc (cold weather open circuit)

### OTHER INSTALLATION INSTRUCTIONS

- An MCI must be connected to one end of each series string or mounting plane sub-array string.
- MCIs shall be installed between series connected module combinations such that the PVHC Maximum Circuit Voltage after actuation is no greater than 165V under any circumstances. The installation location coldest anticipated operating ambient temperature shall be used to calculate the PV maximum voltage in accordance with NEC 690.7.
- Verification that the MCIs are installed in accordance with 1) and 2) shall be documented for inspection, by voltage measurement logs and/or as-built string layout diagrams.
- For PV Inverter: The PVHCS initiator (AC breaker or switch) shall be sized and installed in accordance with NEC requirements. The specific part shall be identified on the as-built system drawings.
- For Powerwall+: The PVHCS emergency stop initiator shall have the following minimum ratings: Outdoor (Type 3R or higher), 12V, 1A, and shall be installed in accordance with NEC requirements. The specific part shall be identified on the as-built system drawings. Refer to the Powerwall+ installation manual for further details.

# Gateway 3

Tesla Gateway 3 controls connection to the grid in a Powerwall system, automatically detecting outages and providing seamless transition to backup power. It provides energy monitoring that is used by Powerwall for solar self-consumption, time-based control, and backup operation.

## Performance Specifications

Model Number	1841000-x1-y	AC Meter	+/- 0.5%
Nominal Grid Voltage	120/240 V AC	Communication	CAN
Grid Configuration	Split phase	User Interface	Tesla App
Grid Frequency	60 Hz	Backup Transition	Automatic disconnect for seamless backup
Continuous Current Rating	200 A	Overcurrent Protection Device	100–200 A Service entrance rated Eaton CSR, BWH, or BW, or Square D QOM breakers
Maximum Supply Short Circuit Current	22 kA with Square D or Eaton main breaker 25 kA with Eaton main breaker <sup>15</sup>	Internal Panelboard	200 A 8-space/16 circuit breakers Eaton BR, Siemens QP, or Square D HOM breakers rated to 10–125A
IEC Protective Class	Class I	Warranty	10 years
Overvoltage Category	Category IV		

<sup>15</sup>Only Eaton CSR or BWH main breakers are 25 kA rated.

## Environmental Specifications

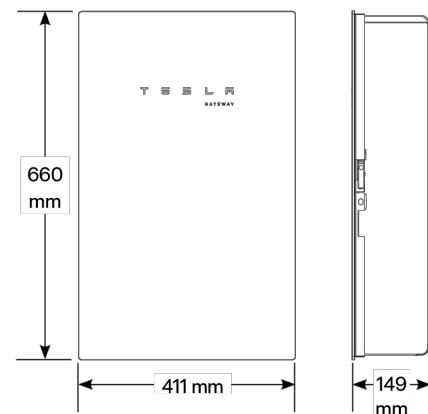
Operating Temperature	-20°C to 50°C (-4°F to 122°F)
Operating Humidity (RH)	Up to 100%, condensing
Maximum Elevation	3000 m (9843 ft)
Environment	Indoor and outdoor rated
Enclosure Type	NEMA 3R

## Compliance Information

Certifications	UL 67, UL 869A, UL 916, UL 1741 PCS, CSA 22.2 107.1, CSA 22.2 29
Emissions	FCC Part 15, Class B, ICES 003

## Mechanical Specifications

Dimensions	660 x 411 x 149 mm (26 x 16 x 6 in)
Weight	16.3 kg (36 lb)
Mounting options	Wall mount



Product	Powerwall
Last Revised	November 30, 2023
Revision	1.2



DISCONNECTING MEANS FOR POWERWALL 2, POWERWALL+, AND POWERWALL 3



## DISCONNECTING MEANS FOR POWERWALL 2, POWERWALL+, AND POWERWALL 3

### Overview

Disconnecting means requirements for ESS and PV systems are addressed in NEC 705.20 (interconnected power systems), 706.15.B.1 (ESS) and 690.15 (PV).

In the 2023 edition of the NEC, there is uniform agreement between these articles that the disconnecting means should:

- Disconnect all poles
- Be capable of interrupting current
- Be either within line of sight or else lockable in the open position if not within sight
- Indicate the off/on position
- Be allowed as integral to the system/unit

The traditional disconnecting means for equipment and systems is the circuit breaker supplying the equipment. In the majority of installations, the circuit breaker resides in a readily accessible, lockable panel enclosure. Tesla recommends this to be considered the primary disconnecting means, regardless of the edition of code enforced.

### Enable Switch as Secondary Disconnecting Means

Tesla also makes available an Enable switch located on the Powerwall 2, Powerwall+, or Powerwall 3 unit, certified to UL 1741 to interrupt current and disconnect all poles from the connected AC circuits, with redundant series-connected contactors. (The same contactors controlled by a remote E-stop button are certified as suitable for rapid shutdown per article 690.12, a life-safety function required for first responders.)

As of November 2022, Tesla is producing Powerwall 2 and Powerwall+ with a locking mechanism that can be used to keep the Enable switch locked in the OFF position. Powerwall 3 is also produced with an equivalent locking mechanism. While the circuit breaker remains the primary disconnecting means (preferred because it de-energizes all circuits connected to the unit, not just on the open side terminals within the unit), the Enable switch on the unit itself also provides a local lockable means that meets within-sight requirements for disconnects when the breaker is not within sight.

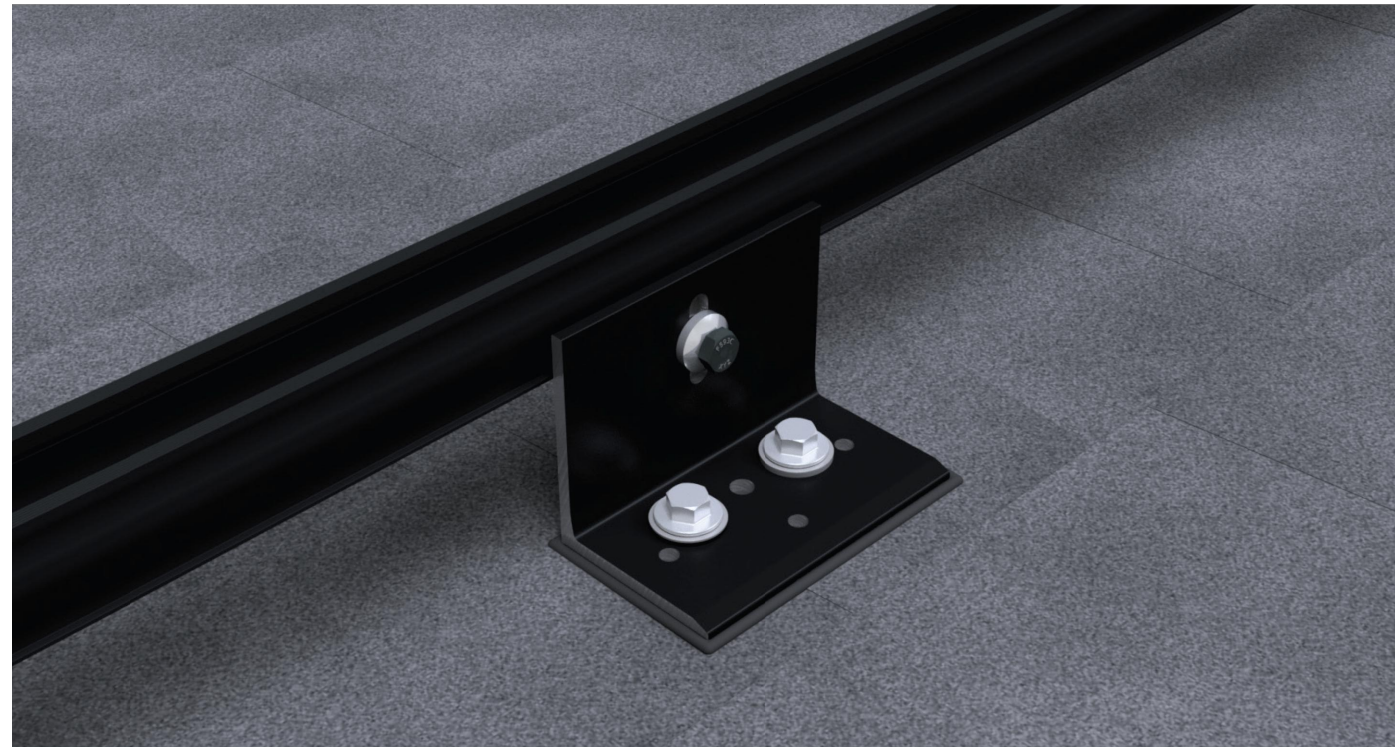


**Figure 1: Locking Enable Switch on Powerwall+**

Looking into future code, requirements within article 706.15.B.1 of the 2023 NEC have been further amended to allow disconnecting means to be either within line of sight or else lockable if not within sight. These changes are in alignment with ESS and PV requirements to ensure safe working conditions when disconnecting means are not visible from the equipment. To reiterate, this requirement was removed from the same article of the 2023 edition to align with the similar Article 690 and 705 requirements, for two key reasons: 1) the need for lockable means is most important when the switch isn't within sight, so that a worker can be assured the switch remains open, and 2) the subjective nature of what is practical and impractical in locating additional disconnects in residential spaces.

Therefore, Tesla's position on 2020 compliance is that the panel circuit breaker be the primary disconnecting means and that the lockable Enable switch on the unit itself be used as supplemental to meet the additional "within sight" 706.15 requirement specific to the 2020 NEC.

# AnchorFoot™



## SnapNrack AnchorFoot™ & DeckAnchor™

are the latest innovation designed to reduce the number of roof fasteners when mounting direct to deck and provide maximum flexibility to mount anywhere on the roof. Engineered with butyl, now installers do not have to add sealant to the bottom of the mount, simplifying the installation process and further protecting the roof.

### AnchorFoot™

- Pre-installed butyl for easy peel & stick installation allows for no disruption to composition shingles
- Industry-leading .200" thick butyl allows installation over shingles without cutting pieces
- Flexible direct to deck mounting options with (2) DeckAnchors or (4) #14 wood screws
- Flexible rafter mounting options with (1) 5/16" lag or (2) #14 wood screws
- Ships pre-assembled with Ultra Rail Mounting Clamp for easy rail attachment
- Rated for UL2703 Bonding & Grounding with TAS 100A Wind Driven Rain Testing for waterproof certification



## Deck Mounting, *re-imagined.*



Flexible direct to deck mounting & rafter mounting options



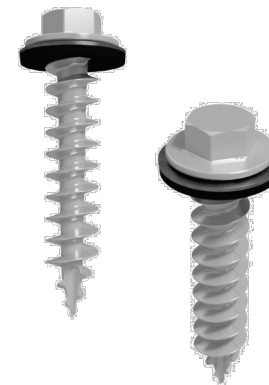
Pre-installed butyl for easy worry-free sealing



Compatible with proprietary DeckAnchor™ fasteners cutting the number of deck fasteners in half, from 4 to 2



Single Tool installation & snap-in features as with all SnapNrack products



### DeckAnchor

- Proprietary fastening technology to reduce the number of screws for direct to deck mounting
- Familiar 1/2" hex head to maintain the SnapNrack tradition of a single tool install
- Wide threads securely grip the wood deck and significantly reduces the potential for over-tightening
- TAS 100A Wind Driven Rain Testing + ASTM D1761 Screw Capacities

## Quality. Performance. Innovation.

SnapNrack solutions are focused on simplifying the installation experience through intuitive products and the best wire management in the industry.

SnapNrack®


877-732-2860

www.snapnrack.com

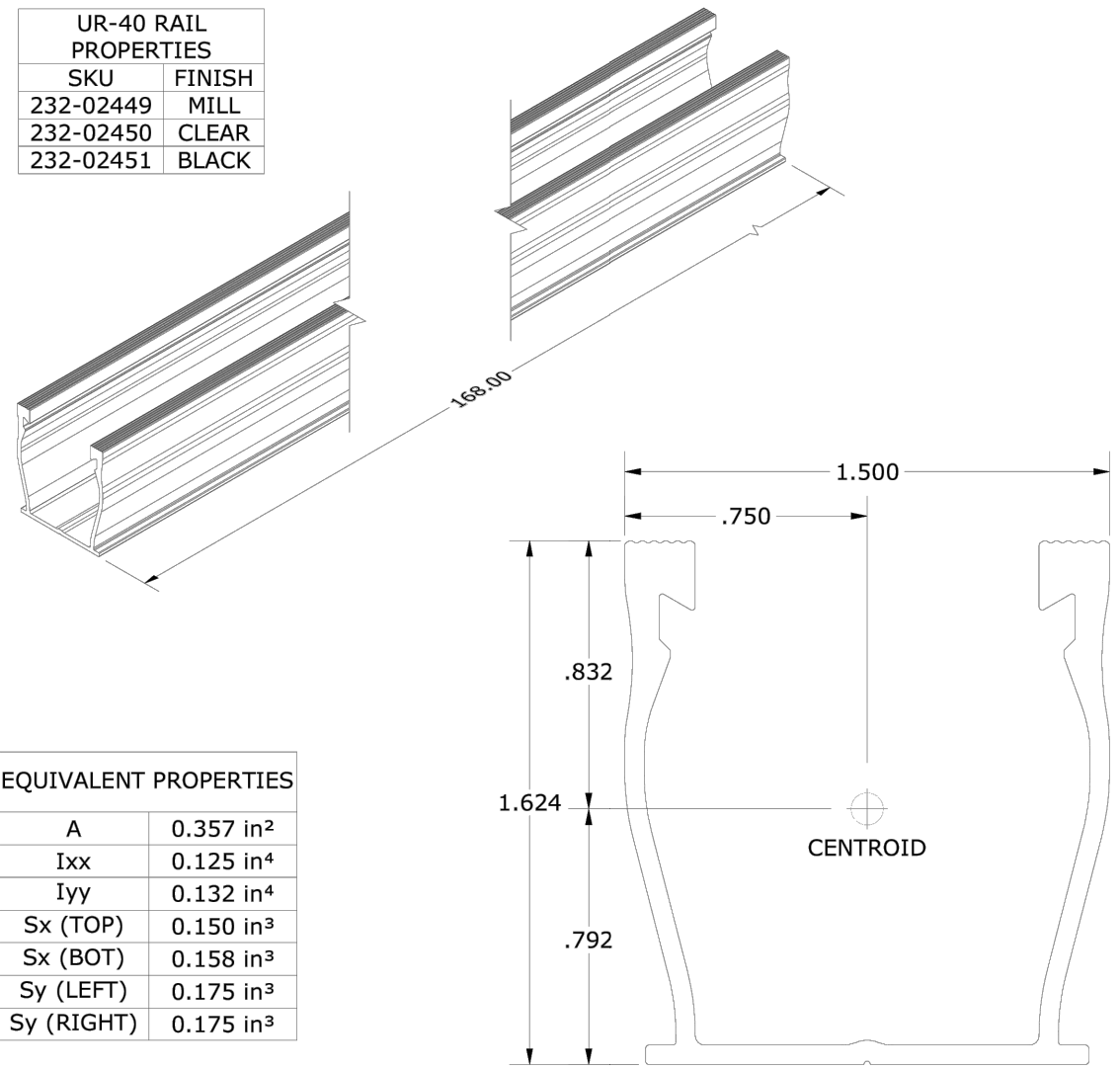
contact@snapnrack.com

© 2023 by SnapNrack® Solar Mounting Solutions. All rights reserved.

**Start Installing AnchorFoot™ Today!**


DESCRIPTION: <b>SNAPRACK, UR-40 RAIL</b>	DRAWN BY: mwatkins	 595 MARKET STREET, 28TH FLOOR • SAN FRANCISCO, CA 94105 USA PHONE (415) 580-6900 • FAX (415) 580-6902 <small>THE INFORMATION IN THIS DRAWING IS CONFIDENTIAL AND PROPRIETARY. ANY REPRODUCTION, DISCLOSURE, OR USE THEREOF IS PROHIBITED WITHOUT THE WRITTEN CONSENT OF SUNRUN SOUTH LLC.</small>
PART NUMBER(S): <b>232-02449, 232-02450, 232-02451</b>	REVISION: <b>B</b>	

UR-40 RAIL PROPERTIES	
SKU	FINISH
232-02449	MILL
232-02450	CLEAR
232-02451	BLACK



EQUIVALENT PROPERTIES	
A	0.357 in <sup>2</sup>
Ixx	0.125 in <sup>4</sup>
Iyy	0.132 in <sup>4</sup>
Sx (TOP)	0.150 in <sup>3</sup>
Sx (BOT)	0.158 in <sup>3</sup>
Sy (LEFT)	0.175 in <sup>3</sup>
Sy (RIGHT)	0.175 in <sup>3</sup>


ALL DIMENSIONS IN INCHES		
MATERIALS:	6000 SERIES ALUMINUM	OPTIONS:
DESIGN LOAD (LBS):	N/A	CLEAR / BLACK ANODIZED
ULTIMATE LOAD (LBS):	N/A	MILL FINISH
TORQUE SPECIFICATION:	N/A LB-FT	BUNDLES OF 144
CERTIFICATION:	UL 2703, FILE E359313	BOXES OF 8
WEIGHT (LBS):	5.85	



**RENU ENERGY SOLUTIONS, LLC**  
 801 PRESSLEY ROAD, SUITE 100  
 CHARLOTTE, NORTH CAROLINA, 28217  
 704-525-6767 | RENUENERGYSOLUTIONS.COM

NC GC #76615  
 NC ELE #U.34519

PREPARED BY:  
 HIGH LINE DESIGNS  
 SCOTT TOYAMA



SCALE: NTS  
 SHEET SIZE: 11" x 17"  
 TEMPLATE V2.0

AHJ: HARNETT COUNTY  
 APN: 0643355902  
 DATE: 11/04/2024

**RUTH ANNE HARTE**  
 218 HOOK DR  
 FUQUAY-VARINA, NC 27526

**PV-12**  
 EQUIPMENT  
 DATASHEET



# APPENDIX A: POWERWALL 3 ANCHORING DETAILS

A1

Table 5. Mounting Design Guidelines Based on Seismic and Wind Speed Conditions

	Ground- or Wall-mount Powerwall 3 with Wall Bracket	Ground-mount Powerwall 3 on Poured Concrete	Ground-mount Powerwall 3 on Poured Concrete with Steel Posts
<b>Wall and Foundation</b>	Existing structural wall and existing approved foundation	Existing structural wall and poured concrete foundation	Poured concrete with steel posts
<b>Seismic Design Category</b>	A, B, C, or D	A, B, C, or D	A, B, C, or D
<b>Max Wind Speed</b>	180 mph Exposure Category C	180 mph Exposure Category C	180 mph Exposure Category C
<b>Installation Information</b>	<i>Installation instructions on page 37</i> <i>Anchoring details on page 93 (A6 - A9)</i>	<i>Installation instructions on page 96 (A10 - A11)</i> <i>Anchoring details on page 93 (A6 - A9)</i>	<i>Installation instructions and anchoring details on page 98 (A12 - A15)</i>

**NOTE:** There is no wind speed limitation on Powerwall and anchoring equipment when mounting in interior locations.

The following conditions will require additional site-specific evaluation by the installing company's structural engineering team:

- Wind Exposure Category D
- Wind speeds greater than 180 mph
- Poured concrete pad and steel post construction in regions with seismic above  $S_S = 2.37$  will require site-specific calculations
- If needed, reference the linked third party resource for Seismic Categories, Wind Speeds and Exposure Categories: <https://asce7hazardtool.online/>



# APPENDIX A: POWERWALL 3 ANCHORING DETAILS

## Anchoring Details for Ground- or Wall-mounting Powerwall 3 with Wall Bracket on Existing Approved Foundation

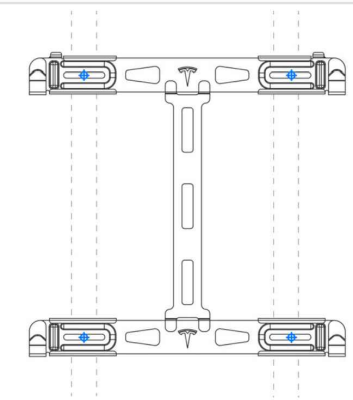
A6

Reference these anchoring details when mounting Powerwall 3 to the provided mounting bracket.

### Wood Studs (spaced at 12 to 17 inches)

If anchoring directly into wood studs, use at least four (one in each corner) ¼ inch wood screws with washers, of sufficient length for at least 2-½ inch embedment into the studs.

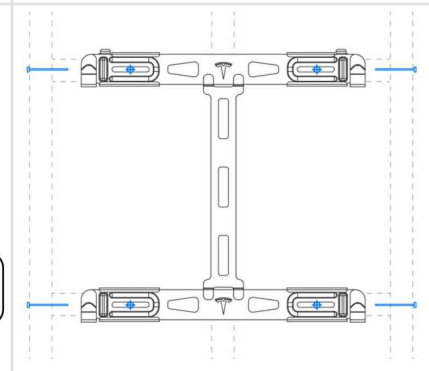
**NOTE:** See *Channel Strut (Unistrut)* on page 95 for stud spacing greater than 17 inches, up to 24 inches.



### Wood Studs (spaced at 12 to 17 inches)

If anchoring to blocking between wood studs, use minimum 2 x 4 in blocks, end-nailed into studs with two 16d (89 x 4 mm) nails or toenailed into studs with four 8d (64 x 3 mm) nails. Use at least four (one in each corner) ¼ inch wood screws with washers, of sufficient length for at least 2-½ inch embedment into the blocking.

**NOTE:** See *Channel Strut (Unistrut)* on page 95 for stud spacing greater than 17 inches, up to 24 inches.

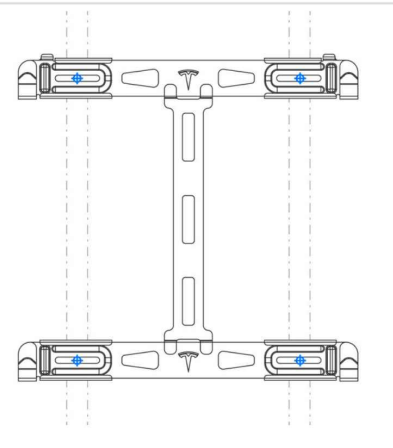


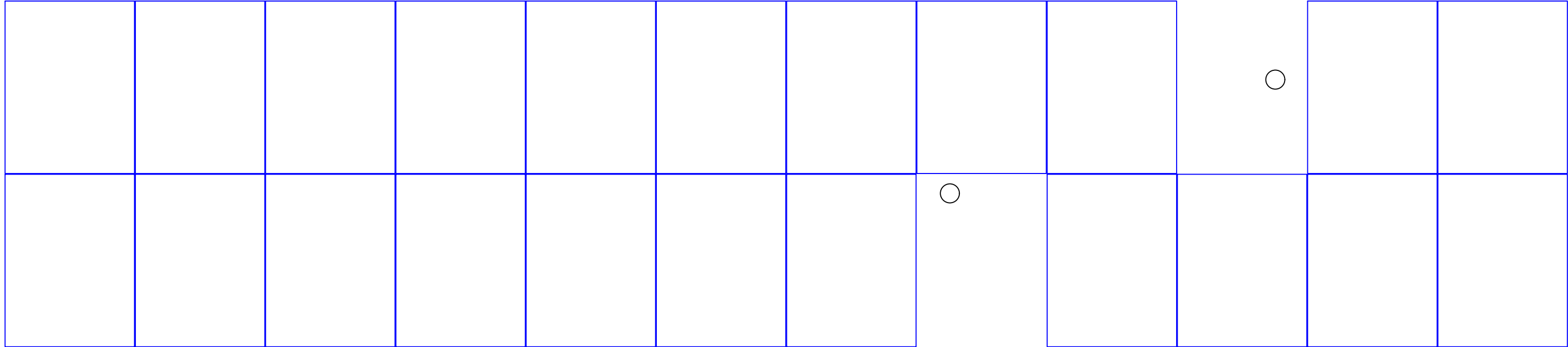
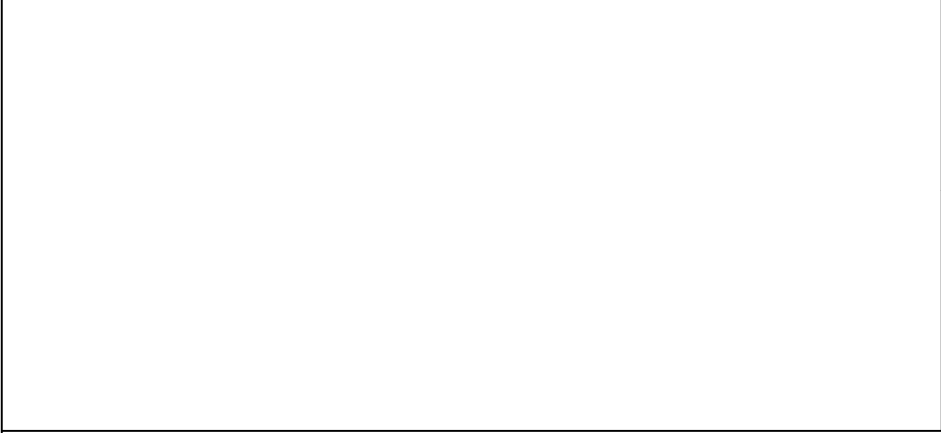
### Metal Studs (spaced at 12 to 17 inches)


If anchoring directly to metal studs, studs must be minimum 18 gauge. Use at least four (one in each corner) #14 (¼ inch) sheet metal screws with washers, of sufficient length to penetrate at least 3 threads beyond the stud.

If backing is needed between the studs, the backing must be minimum 18 gauge. Attach backing to metal studs with 12 gauge 3x3 inch angle clip or Simpson SFC2.25 clips with two #10 sheet metal screws in each leg.

**NOTE:** See *Channel Strut (Unistrut)* on page 95 for stud spacing greater than 17 inches, up to 24 inches.





 **RENU ENERGY SOLUTIONS, LLC**  
 801 PRESSLEY ROAD, SUITE 100  
 CHARLOTTE, NORTH CAROLINA, 28217  
 704-525-6767 | RENUENERGYSOLUTIONS.COM

NC GC #76615  
 NC ELE #U.34519

PREPARED BY:  
 HIGH LINE DESIGNS  
 SCOTT TOYAMA  


SCALE: NTS  
 SHEET SIZE: 11" x 17"  
 TEMPLATE V2.0

AHJ: HARNETT COUNTY  
 APN: 0643355902  
 DATE: 11/04/2024

**RUTH ANNE HARTE**  
 218 HOOK DR  
 FUQUAY-VARINA, NC 27526

**PV-14**  
 MAPPING  
 SHEET