



RESIDENTIAL ROOFTOP SOLAR PERMIT PACKAGE

Marvin Mack
 6037 McDougald Rd
 Lillington, North Carolina 27546
 +19107282025



1403 N 630 E
 Orem, Utah 84097
 (800) 377-4480
 BlueRavenSolar.com

SCOPE OF WORK
 INSTALLATION OF ROOFTOP MOUNTED PHOTOVOLTAIC SOLAR SYSTEM
 UPGRADE(S) OF EXISTING ELECTRICAL EQUIPMENT AS NEEDED FOR CODE COMPLIANCE AND TO ACCOMMODATE PV INSTALLATION



SHEET INDEX

- PV1 COVER SHEET
- PV2 SITE PLAN
- PV3 ROOF PLAN
- PV4 STRUCTURAL
- PV5 ELECTRICAL 3-LINE
- PV6 ELECTRICAL CALCULATIONS
- PV7 LABELS
- PV8 PLACARD
- SS SPEC SHEETS

CUSTOMER NAME: Marvin Mack
 6037 McDougald Rd
 Lillington, North Carolina 27546
AHJ: Harnett County
UTILITY COMPANY: Duke Energy NC

TYPICAL STRUCTURAL INFORMATION
 ROOF MATERIAL: Comp Shingle
 SHEATHING TYPE: OSB
 FRAMING TYPE: Rafter
 RACKING TYPE: UNIRAC SFM INFINITY
 ATTACHMENT TYPE: UNIRAC SFM INFINITY FLASHKIT
 TOTAL ATTACHMENTS: 64

NEW PV SYSTEM INFORMATION
 DC SYSTEM SIZE: 11.89 kW DC
 AC SYSTEM SIZE: 9.425 kW AC
 MODULE TYPE: (29) Silfab Solar SIL-410 HC+
 INVERTER TYPE: Enphase IQ8M-72-M-US

TOTAL PV DC SYSTEM SIZE
 11.890 kW DC

TOTAL PV AC SYSTEM SIZE
 9.425 kW AC

DESIGN CRITERIA
 WIND SPEED: 115
 WIND EXPOSURE FACTOR: C
 RISK CATEGORY: II
 GROUND SNOW LOAD: 15
 ROOF SNOW LOAD: 10.5
 SEISMIC DESIGN CATEGORY: B

WEATHER STATION DATA
 WEATHER STATION: SEYMOUR-JOHNSON AFB
 HIGH TEMP 2% AVG: 35°C
 EXTREME MINIMUM TEMP: -10°C

APPLICABLE CODES
 *2017 NATIONAL ELECTRIC CODE (NEC)
 *2018 NORTH CAROLINA BUILDING CODE (NCBC)
 *2018 NORTH CAROLINA RESIDENTIAL CODE (NCRC), PLUMBING CODE (NCPC), AND ALL STATE AND LOCAL BUILDING, ELECTRICAL, AND PLUMBING CODES

GENERAL NOTES

Sealed For Existing Roof & Attachment Only



4/18/24
 Firm No.: D-0449

Digitally signed by John A. Calvert

AHJ
 Harnett County
 Date: 2024.04.18
 13:14:43 -06'00'

UTILITY COMPANY
 Duke Energy NC

PROJECT ID:
 959338

PV DC SYSTEM SIZE:
 11.890 kW DC
PV AC SYSTEM SIZE:
 9.425 kW AC

REVISIONS:

A	---
B	---
C	---
D	---

DRAWN BY:
 Brendan Fillmore

PLOT DATE:
 April 18, 2024

DRAWING TITLE:
 Cover Sheet

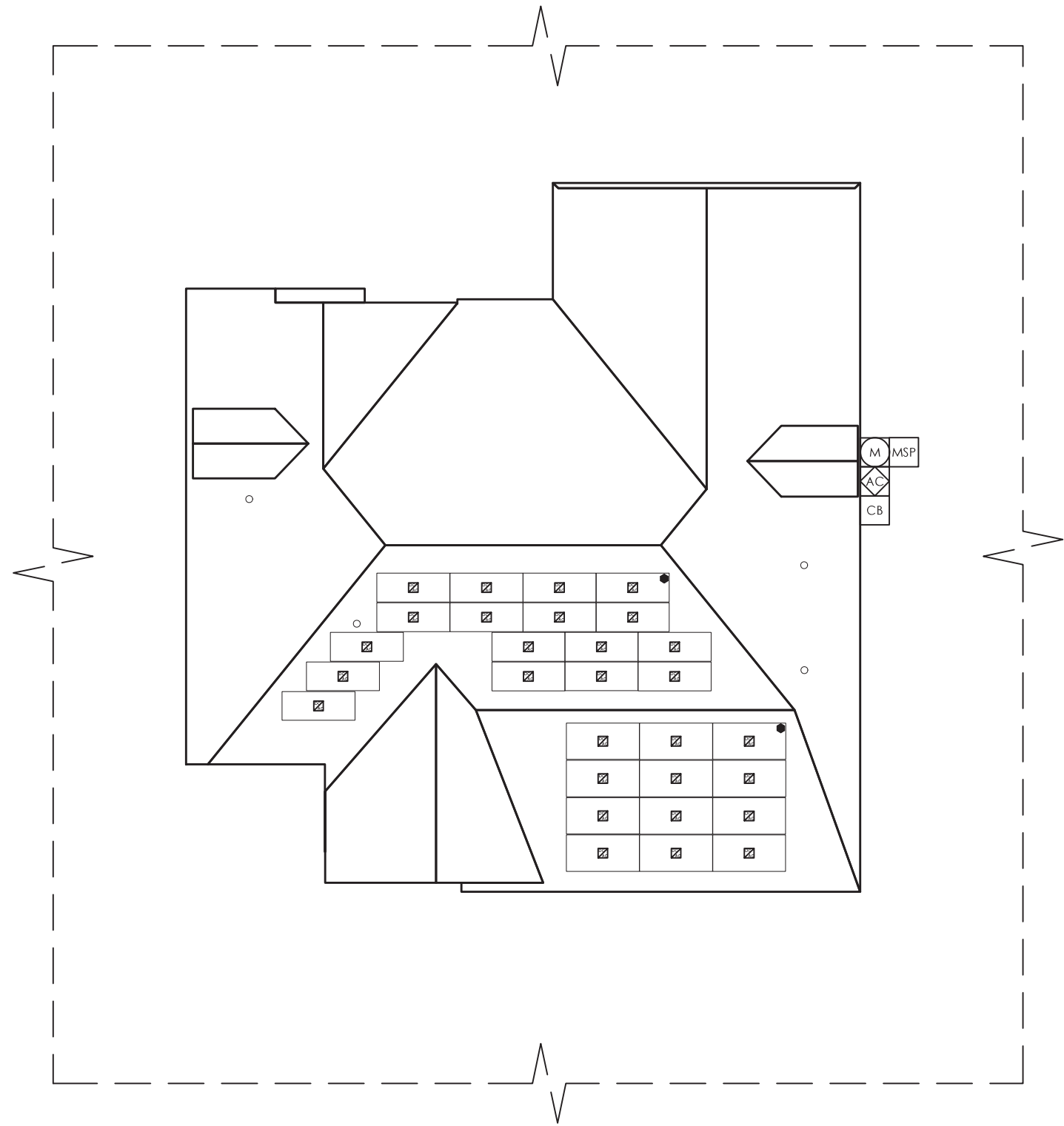
DRAWING NUMBER:
 PV1

FRONT OF HOME

6037 McDougald Rd



1403 N 630 E
Orem, Utah 84097
(800) 377-4480
BlueRavenSolar.com



CUSTOMER NAME: Marvin Mack
6037 McDougald Rd
Lillington, North Carolina 27546

AHJ: Harnett County

UTILITY COMPANY: Duke Energy NC

PROJECT ID: 959338

PV DC SYSTEM SIZE: 11.890 kW DC

PV AC SYSTEM SIZE: 9.425 kW AC

REVISIONS:

A	---
B	---
C	---
D	---

DRAWN BY: Brendan Fillmore

PLOT DATE: April 18, 2024

DRAWING TITLE: Site Plan

DRAWING NUMBER: PV2

Sealed For Existing Roof & Attachment Only



4/18/24
Firm No. : D-0449

SITE PLAN
SCALE: Custom

LEGEND

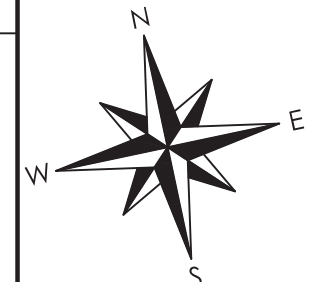
ROOF TOP JUNCTION BOX	BREAKER ENCLOSURE	GENERATOR ATS PANEL	REMOTE POWER OFF SWITCH	TRENCH OR OVERHEAD
UTILITY METER	AC DISCONNECT	UTILITY METER CT CABINET	FIRE SETBACK HATCH	PROPERTY LINE
MAIN SERVICE PANEL	PV PRODUCTION METER	ESS - BATTERY	MICROINVERTER	NEW PV SYSTEM
SUBPANEL	COMBINER BOX	ESS - CONTROLLER	ICONS WITH DOTTED OUTLINE INDICATE INTERIOR LOCATION	

PV SYSTEM SPECIFICATIONS

NEW PV SYSTEM INFORMATION

PV MODULE: (29) Silfab Solar SIL-410 HC+, **POWER RATING:** 410 W
MICROINVERTER: Enphase IQ8M-72-M-US, **POWER RATING:** 325 W

COMPASS

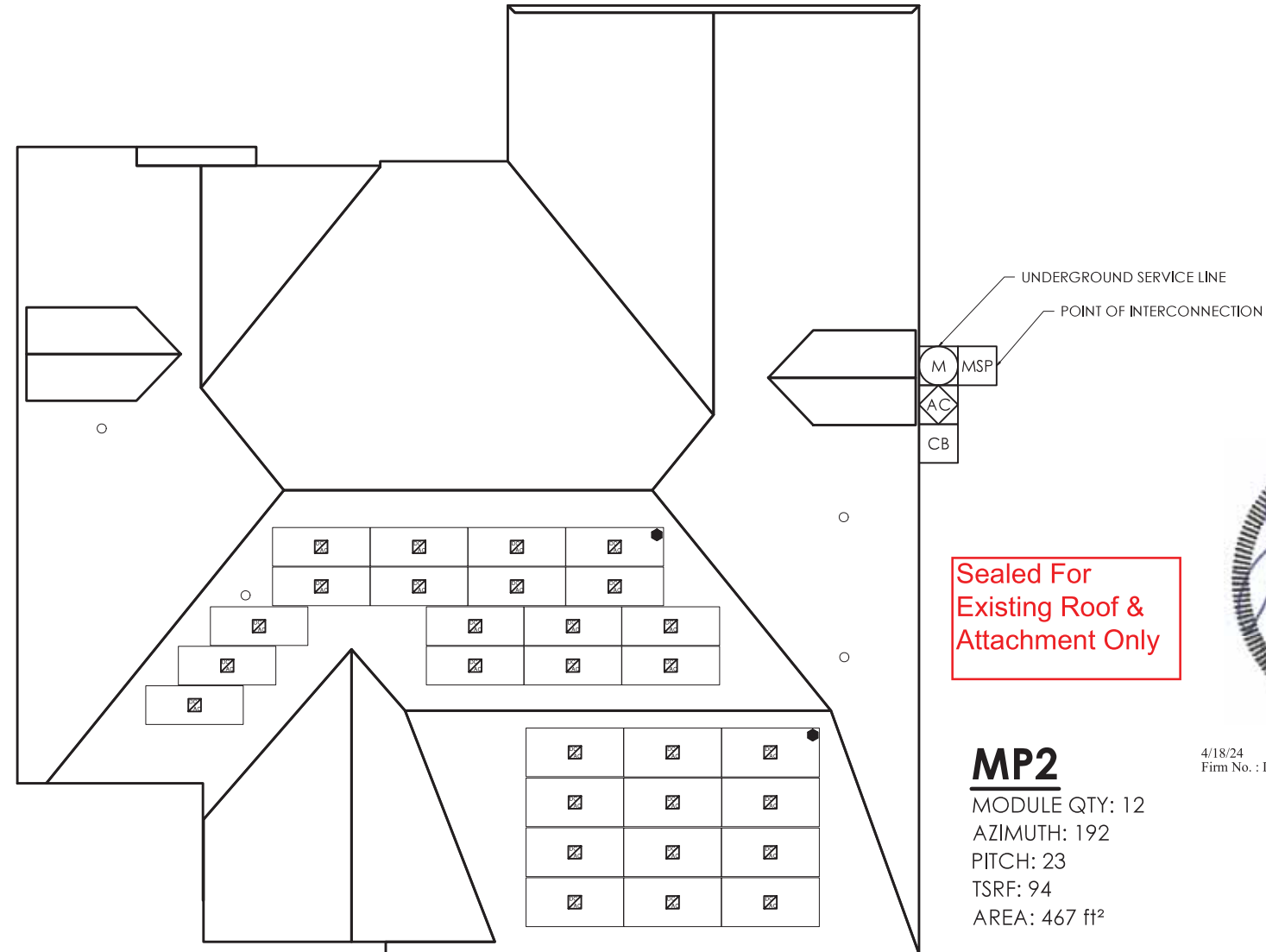


DC SYSTEM SIZE: 11.89 KW DC MODULE: Silfab Solar 410 INVERTER(S): Enphase IQ8M Microinverters



1403 N 630 E
Orem, Utah 84097
(800) 377-4480
BlueRavenSolar.com

FRONT OF HOME



MP1
MODULE QTY: 17
AZIMUTH: 192
PITCH: 43
TSRF: 94
AREA: 746 ft²

Sealed For
Existing Roof &
Attachment Only



MP2
MODULE QTY: 12
AZIMUTH: 192
PITCH: 23
TSRF: 94
AREA: 467 ft²

4/18/24
Firm No. : D-0449

ROOF PLAN

SCALE: 3/32" = 1'-0"

CUSTOMER NAME: Marvin Mack
6037 McDougald Rd
Lillington, North Carolina 27546

AHJ: Harnett County

UTILITY COMPANY: Duke Energy NC

PROJECT ID: 959338

PV DC SYSTEM SIZE: 11.890 kW DC

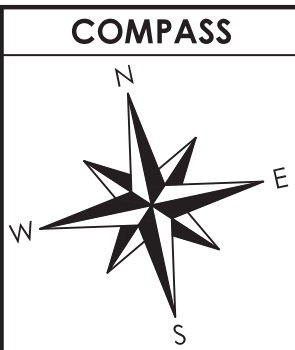
PV AC SYSTEM SIZE: 9.425 kW AC

REVISIONS:

A	---
B	---
C	---
D	---

LEGEND					
	ROOF TOP JUNCTION BOX		BREAKER ENCLOSURE		GENERATOR ATS PANEL
	UTILITY METER		AC DISCONNECT		UTILITY METER CT CABINET
	MAIN SERVICE PANEL		PV PRODUCTION METER		ESS - BATTERY
	SUBPANEL		COMBINER BOX		ESS - CONTROLLER
	REMOTE POWER OFF SWITCH		FIRE SETBACK HATCH		MICROINVERTER
	TRENCH OR OVERHEAD		PROPERTY LINE		NEW PV SYSTEM
<i>ICONS WITH DOTTED OUTLINE INDICATE INTERIOR LOCATION</i>					

PV SYSTEM SPECIFICATIONS	
<i>NEW PV SYSTEM INFORMATION</i>	
PV MODULE: (29) Silfab Solar SIL-410 HC+, POWER RATING: 410 W	
MICROINVERTER: Enphase IQ8M-72-M-US, POWER RATING: 325 W	



DRAWN BY: Brendan Fillmore

PLOT DATE: April 18, 2024

DRAWING TITLE: Roof Plan

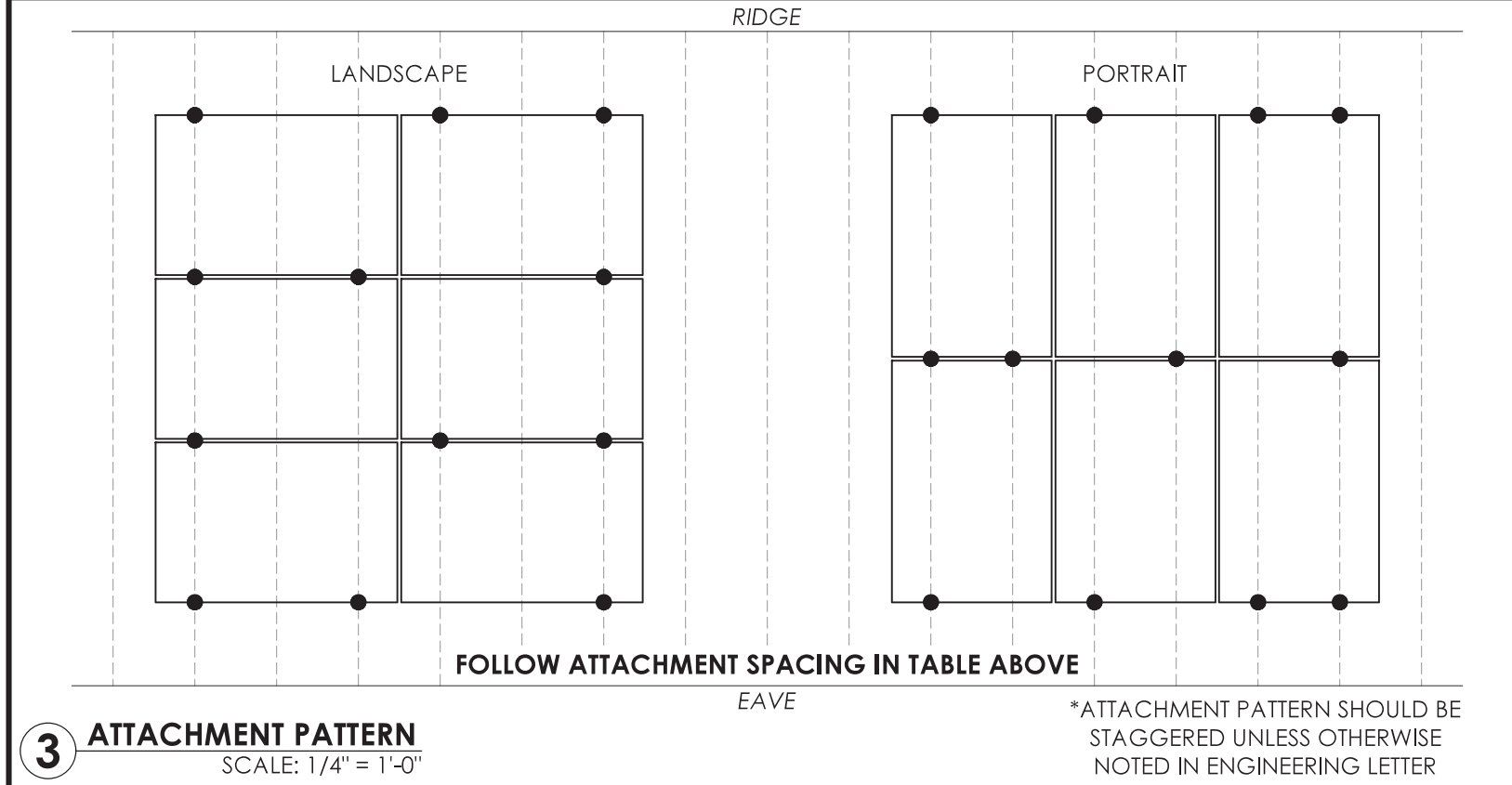
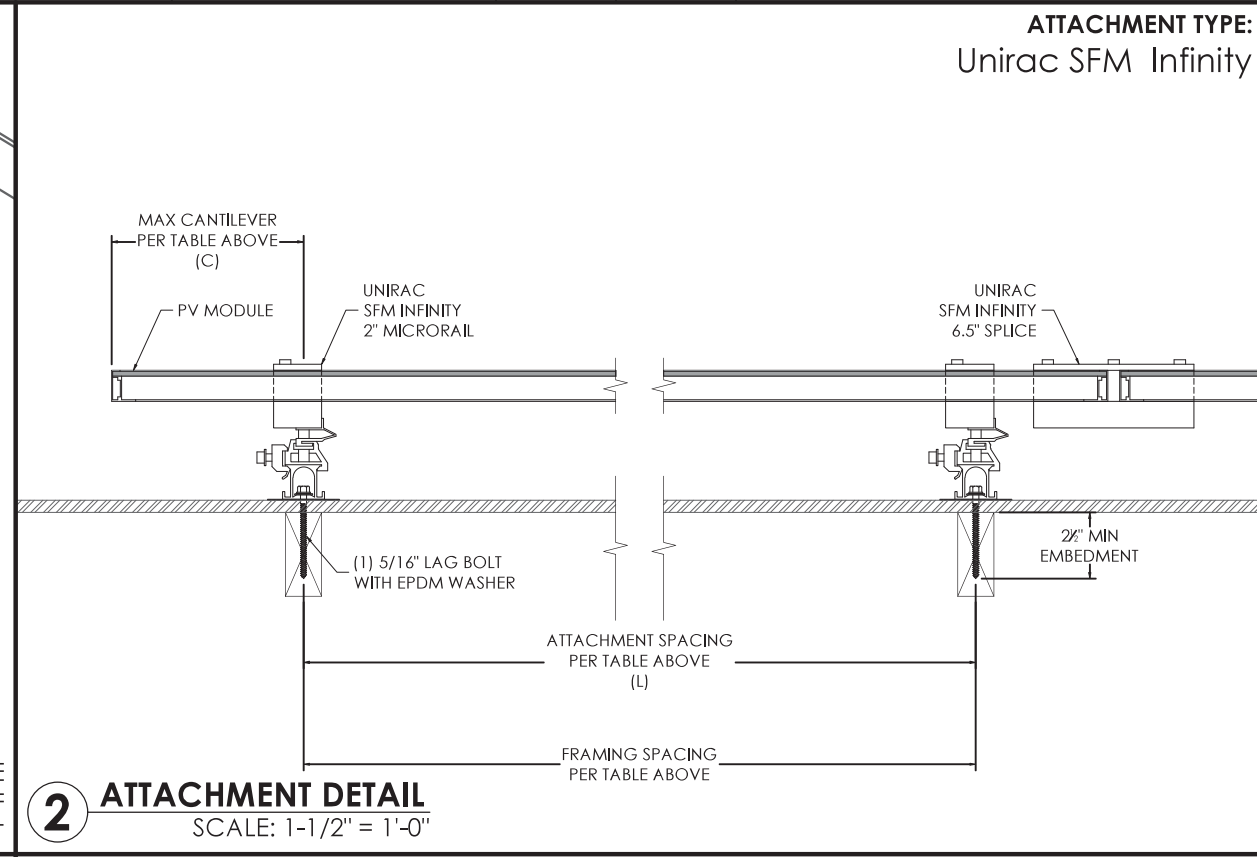
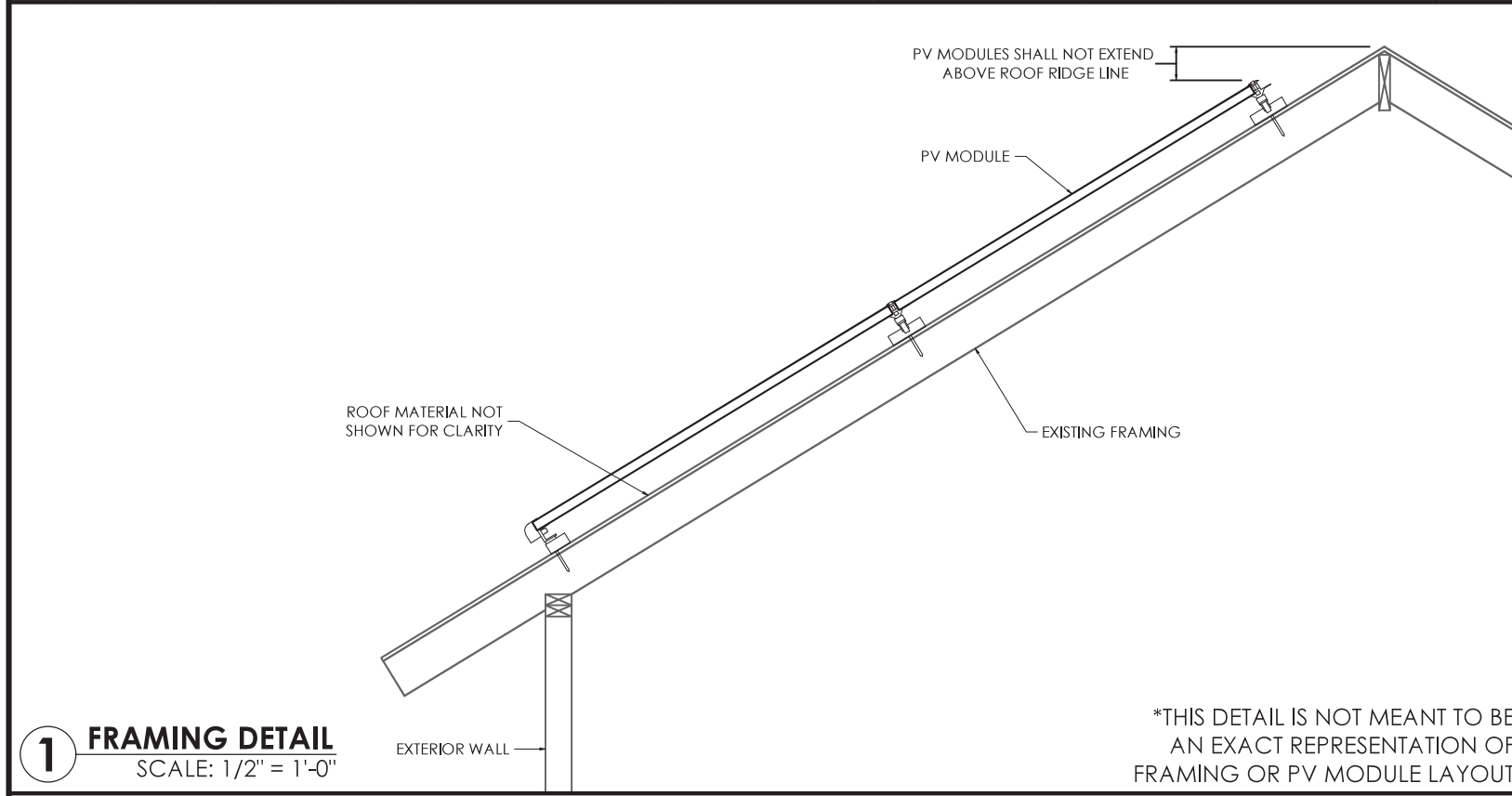
DRAWING NUMBER: PV3

PANEL COUNT	AZIMUTH (DEG)	PITCH (DEG)	TSRF (%)	AREA (ft²)	ROOF MATERIAL	SHEATHING TYPE	FRAMING TYPE	FRAMING SIZE AND SPACING	CEILING JOIST/PURLINS SIZE AND SPACING	RACKING TYPE	ATTACHMENT TYPE	MAXIMUM ATTACHMENT SPACING (S)	MAXIMUM CANTILEVER (C)	
MP1	17	192	43	94	746	Comp Shingle	OSB	Rafter	2x10 @ 16 in OC	2x10 @ 16 in OC	UNIRAC SFM INFINITY	UNIRAC SFM INFINITY FLASHKIT	64"L / 48"P	21"L / 16"P
MP2	12	192	23	94	467	Comp Shingle	OSB	Rafter	2x10 @ 16 in OC	2x10 @ 16 in OC	UNIRAC SFM INFINITY	UNIRAC SFM INFINITY FLASHKIT	64"L / 48"P	21"L / 16"P
MP3	0													
MP4	0													
MP5	0													
MP6	0													
MP7	0													
MP8	0													
MP9	0													
MP10	0													

TOTAL PV ARRAY AREA (ft²)	618.72
TOTAL ROOF AREA (ft²)	4335
DISTRIBUTED LOAD (psf)	2.2
ROOF COVERAGE (%)	14.27
TOTAL PV ARRAY WEIGHT (lbs)	1363
TOTAL PV ATTACHMENTS	64
POINT LOAD (lbs/att.)	21.3



1403 N 630 E
Orem, Utah 84097
(800) 377-4480
BlueRavenSolar.com



NOTES
Exterior conduit required on MP2 due to the ceiling being vaulted.

Sealed For Existing Roof & Attachment Only

4/18/24
Firm No.: D-0449

CUSTOMER NAME: **Marvin Mack**
6037 McDougald Rd
Lillington, North Carolina 27546

AHJ: Harnett County

UTILITY COMPANY: Duke Energy NC

PROJECT ID: **959338**

PV DC SYSTEM SIZE: 11.890 kW DC

PV AC SYSTEM SIZE: 9.425 kW AC

REVISIONS:

A	---
B	---
C	---
D	---

DRAWN BY: Brendan Fillmore

PLOT DATE: April 18, 2024

DRAWING TITLE: Structural

DRAWING NUMBER: **PV4**

4	L1 (1) 6 AWG THHN/THWN-2 CU BLACK	3/4 INCH EMT	Exterior
	L2 (1) 6 AWG THHN/THWN-2 CU RED		
	N (1) 6 AWG THHN/THWN-2 CU WHITE		
	G (1) 10 AWG THHN/THWN-2 CU GREEN		

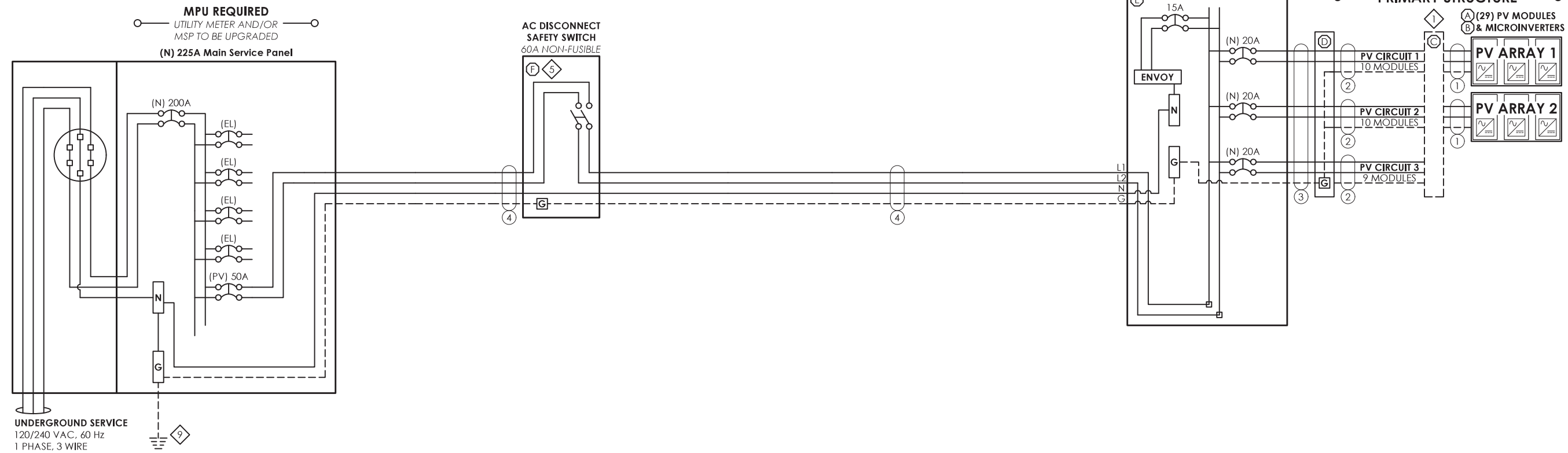
3	L1 (3) 10 AWG THHN/THWN-2 CU BLACK	3/4 INCH EMT	Exterior	
	L2 (3) 10 AWG THHN/THWN-2 CU RED			
	G (1) 10 AWG THHN/THWN-2 CU GREEN			
	*TYPE UF CABLE MAY BE SUBSTITUTED FOR USE IN CONDUIT WHERE NEC CODE PERMITS			

2	L1 (1) 10 AWG THHN/THWN-2 CU BLACK	3/4 INCH	*	
	L2 (1) 10 AWG THHN/THWN-2 CU RED			
	G (1) 10 AWG THHN/THWN-2 CU GREEN			
	*TYPE NM (ROMEX)/UF CABLE IS PERMITTED FOR INTERIOR OR ATTIC RUNS AND SHALL BE USED WHEN NEC CODE PERMITS			

1	L1 (1) 12 AWG THHN/THWN-2 CU BLACK	ENPHASE Q-CABLE, 2-WIRE, FREE AIR	Exterior
	L2 (1) 12 AWG THHN/THWN-2 CU RED		
	G (1) 6 AWG BARE, CU		



1403 N 630 E
Orem, Utah 84097
(800) 377-4480
BlueRavenSolar.com



GENERAL NOTES

Utility Meter Number: 332281144
MPU required. Load side breaker in new MSP. Exterior POI.

LEGEND

(E) EXISTING	(PV) PV BREAKER
(N) NEW	(FIB) FACTORY INSTALLED BREAKER
(EL) EXISTING LOADS	SPD SURGE PROTECTIVE DEVICE
(RL) RELOCATED LOADS	MI MECHANICAL INTERLOCK

EQUIPMENT NOTES

1 FINAL CONFIGURATION OF PV CIRCUITS TO BE DECIDED BY INSTALLER. MUST COMPLY WITH MAX MICROINVERTERS PER CIRCUIT AS LISTED ON ATTACHED SPEC SHEET.

2

3

4

5

6

7

8

9 GROUNDING ELECTRODE SYSTEM SHALL BE IN ACCORDANCE WITH NEC 250.53.

10

11

12

EQUIPMENT DESCRIPTIONS

(A) PV MODULE: Silfab Solar SIL-410 HC+, 410 W DC, UL 1703 / UL 61730 COMPLIANT

(B) MICROINVERTER: ENPHASE IQ8M-72-M-US, 325 W AC (0.325 kW), 1 PHASE, UL 1741 COMPLIANT

(C) ROOFTOP JUNCTION BOX: EZ SOLAR JB-1.2 JUNCTION BOX

(D) JUNCTION BOX: PVC 4 X 4 JUNCTION BOX

(E) PV COMBINER BOX: ENPHASE IQ COMBINER 4 (X-IQ-AM1-240-4)

(F) SQUARE-D SAFETY SWITCH 60A, 2P, 240VAC, NON-FUSIBLE (DU222RB)

(G)

(H)

(I)

(J)

(K)

(L)

(M)

(N)

(O)

(P)

(Q)

(R)

(S)

(T)



OTHER NOTES

29 MICROINVERTERS X 325 W AC = 9.425 KW AC; PANEL WATTAGE = 410 W DC

CUSTOMER NAME: Marvin Mack
6037 McDougald Rd
Lillington, North Carolina 27546

AHJ: Harnett County
Duke Energy NC

UTILITY COMPANY: Duke Energy NC

PROJECT ID: 959338

PV DC SYSTEM SIZE: 11.890 kW DC

PV AC SYSTEM SIZE: 9.425 kW AC

REVISIONS:

A	---
B	---
C	---
D	---

DRAWN BY: Brendan Fillmore

PLOT DATE: April 18, 2024

DRAWING TITLE: Electrical 3-Line

DRAWING NUMBER: PV5

ELECTRICAL INFORMATION	
UTILITY ELECTRICAL SYSTEM	
1-Phase, 3-Wire, 60Hz, 120/240V	
NEW PV SYSTEM	
1-Phase, 3-Wire, 60Hz, 120/240V	
AC SYSTEM SIZE	9.425kW AC
DC SYSTEM SIZE	11.89kW DC
PV MODULES	
QUANTITY	29
TYPE	Silfab Solar SIL-410 HC+
WATTAGE	410W DC
MICROINVERTERS	
TYPE	Enphase IQ8M-72-M-US
OUTPUT CURRENT	1.35A AC
NOMINAL VOLTAGE	240V AC
OUTPUT POWER	325W AC

PV BREAKER BACKFEED CALCULATIONS			
NEC 705.12(B) -- "120% RULE"			
(BUSBAR RATING * 120%) - OCPD RATING = AVAILABLE BACKFEED			
	MAIN SERVICE PANEL	SUBPANEL 1	SUBPANEL 2
BUSBAR RATING	225A	100A	---A
PANEL OCPD RATING	200A	---A	---A
AVAILABLE BACKFEED (120% RULE)	70A	##A	##A
PV BREAKER RATING	50A	50A	50A
<i>*THESE CALCULATIONS ARE ONLY APPLICABLE IF PV INTERCONNECTION IS A LOAD SIDE BREAKER. *PV BREAKER MUST BE RATED LESS THAN OR EQUAL TO AVAILABLE BACKFEED FOR CODE COMPLIANCE*</i>			

DESIGN LOCATION AND TEMPERATURES	
DATA SOURCE	ASHRAE Weather Station Data
STATE	North Carolina
CITY	Lillington
WEATHER STATION	SEYMOUR-JOHNSON AFB
HIGH TEMP 2% AVG	35°C
EXTREME MINIMUM TEMP	-10°C

WIRE SIZE SPECIFICATIONS										
	①	②	③	④	⑤	⑥	⑦	⑧	⑨	⑩
MINIMUM CONDUCTOR AMPACITY	16.88A AC	16.88A AC	16.88A AC	49.09A AC	---A AC	---A AC	---A AC	---A AC	---A AC	---A AC
CONDUCTOR MATERIAL	CU	CU	CU	CU	---	---	---	---	---	---
CONDUCTOR TYPE	THHN/THWN-2	THHN/THWN-2	THHN/THWN-2	THHN/THWN-2	---	---	---	---	---	---
CONDUCTOR SIZE	12 AWG	10 AWG	10 AWG	6 AWG	---	---	---	---	---	---
CONDUCTOR AMPACITY	30A	40A	40A	75A	---A	---A	---A	---A	---A	---A
AMBIENT TEMPERATURE ADJUSTMENT FACTOR	0.96	0.96	0.96	0.96	---	---	---	---	---	---
CONDUIT FILL ADJUSTMENT FACTOR	1	1	0.7	1	---	---	---	---	---	---
ADJUSTED CONDUCTOR AMPACITY	28.8A	38.4A	26.88A	72A	---A	---A	---A	---A	---A	---A
WIRE RUN DISTANCE (FT)	66	30	10	5	---	---	---	---	---	---
CALCULATED VOLTAGE DROP	0.71%	0.42%	0.14%	0.08%	0%	0%	0%	0%	0%	0%

PV CIRCUIT SPECIFICATIONS													
	PRIMARY STRUCTURE								DETACHED STRUCTURE				
	CIRCUIT 1	CIRCUIT 2	CIRCUIT 3	CIRCUIT 4	CIRCUIT 5	CIRCUIT 6	CIRCUIT 7	CIRCUIT 8	CIRCUIT 1	CIRCUIT 2	CIRCUIT 3	CIRCUIT 4	CIRCUIT 5
NUMBER OF MODULES PER CIRCUIT	10	10	9	0	0	0	0	0	0	0	0	0	0
RATED AC OUTPUT CURRENT (I _{out})	13.5A	13.5A	12.2A	0.0A	0.0A	0.0A	0.0A	0.0A	0.0A	0.0A	0.0A	0.0A	0.0A
MINIMUM AMPACITY (I _{out} x 125%)	16.9A	16.9A	15.2A	0.0A	0.0A	0.0A	0.0A	0.0A	0.0A	0.0A	0.0A	0.0A	0.0A
OVERCURRENT PROTECTION RATING	20A	20A	20A	20A	20A	20A	20A	20A	20A	20A	20A	20A	20A
COMBINED AC OUTPUT CURRENT (C _{out})	39.2A								0.0A				
MINIMUM AMPACITY (C _{out} x 125%)	48.9A								0.0A				
COMBINED PV BREAKER RATING	50AA								0AA				

TOTAL VOLTAGE DROP	
WIRE TAG	VOLTAGE DROP
WIRE TAG #1	0.71%
WIRE TAG #2	0.42%
WIRE TAG #3	0.14%
WIRE TAG #4	0.08%
WIRE TAG #5	0%
WIRE TAG #6	0%
TOTAL	1.350000%



1403 N 630 E
Orem, Utah 84097
(800) 377-4480
BlueRavenSolar.com

Marvin Mack
6037 McDougald Rd
Lillington, North Carolina 27546

AHJ: Harnett County
UTILITY COMPANY: Duke Energy NC

CUSTOMER NAME:

PROJECT ID:

959338

PV DC SYSTEM SIZE:
11.890 kW DC

PV AC SYSTEM SIZE:
9.425 kW AC

REVISIONS:

A	---
B	---
C	---
D	---

DRAWN BY:
Brendan Fillmore

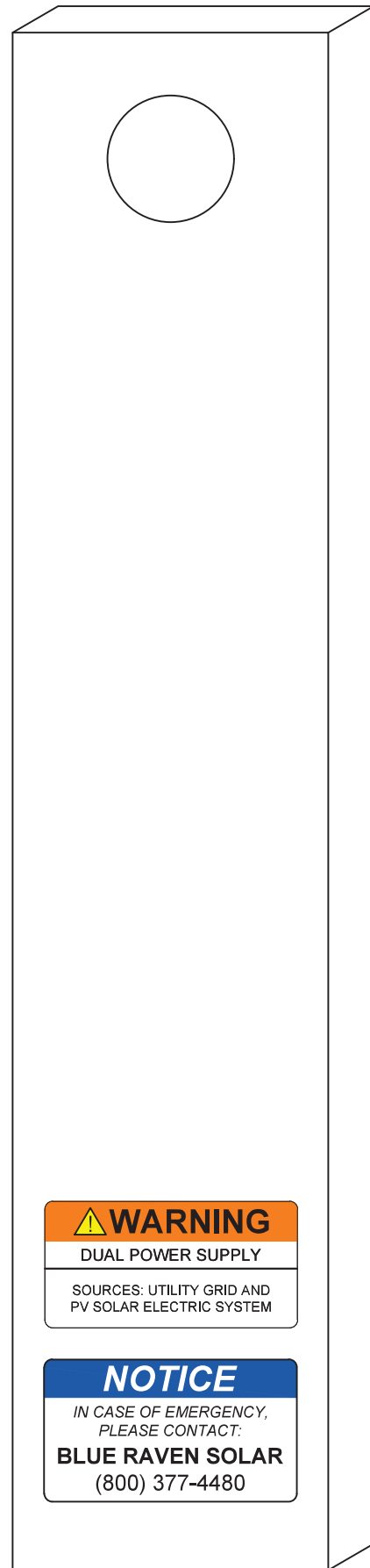
PLOT DATE:
April 18, 2024

DRAWING TITLE:
Electrical Calculations

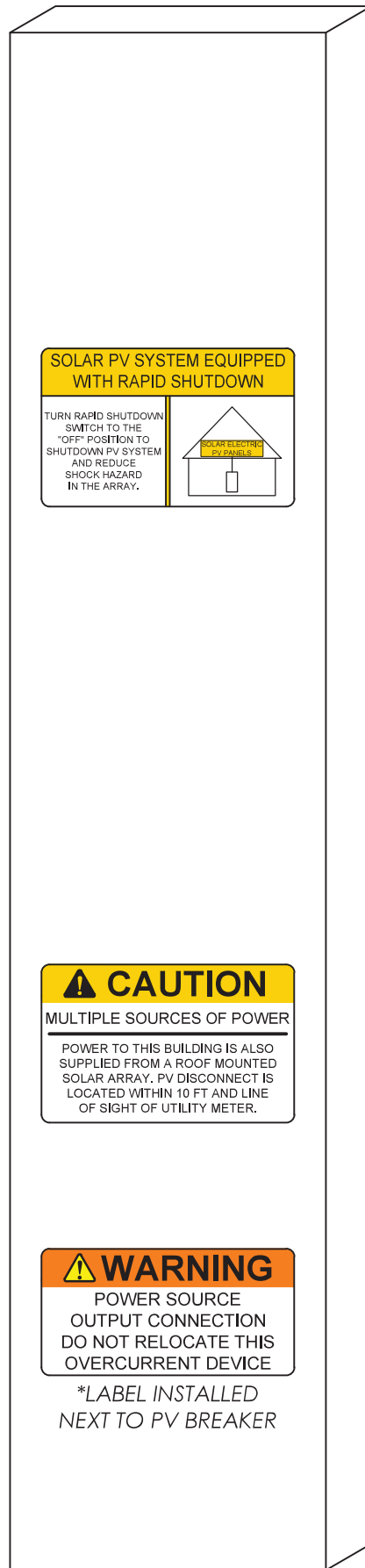
DRAWING NUMBER:
PV6

WARNING LABELS

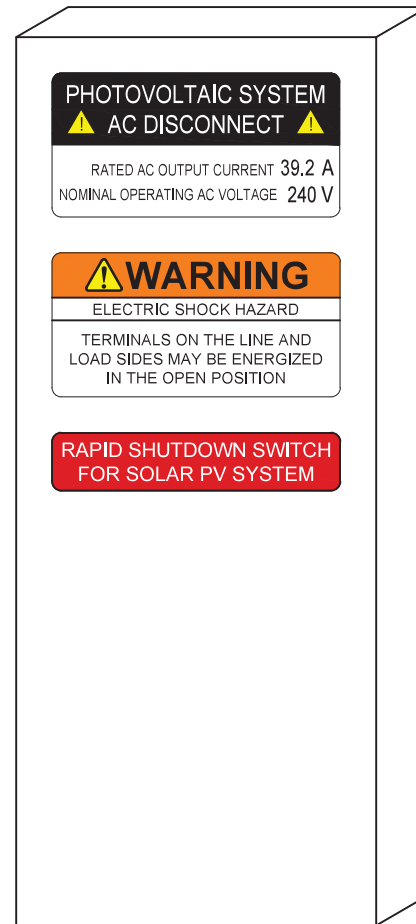
UTILITY METER



MAIN SERVICE PANEL



AC DISCONNECT



PV COMBINER BOX



1403 N 630 E
Orem, Utah 84097
(800) 377-4480
BlueRavenSolar.com

Marvin Mack
6037 McDougald Rd
Lillington, North Carolina 27546

AHJ: Harnett County
UTILITY COMPANY: Duke Energy NC

CUSTOMER NAME:

PROJECT ID:
959338

PV DC SYSTEM SIZE:
11.890 kW DC

PV AC SYSTEM SIZE:
9.425 kW AC

REVISIONS:

A	---
B	---
C	---
D	---

DRAWN BY:
Brendan Fillmore

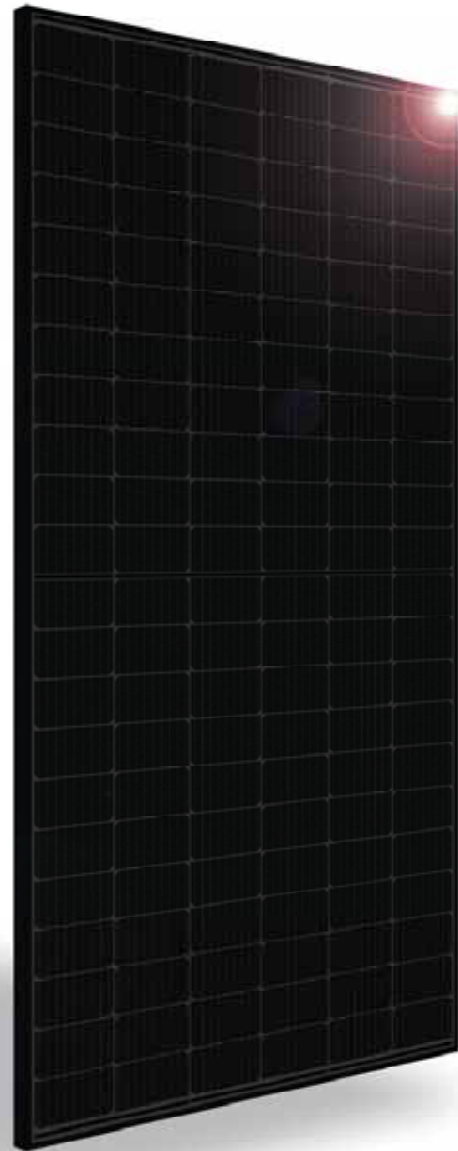
PLOT DATE:
April 18, 2024

DRAWING TITLE:
Warning Labels

DRAWING NUMBER:
PV7

SILFAB PRIME

SIL-410 HC+



RELIABLE ENERGY. DIRECT FROM THE SOURCE.

Designed to outperform.

Dependable, durable, high-performance solar panels engineered for North American homeowners.

SILFABSOLAR.COM



CHUBB
* Chubb provides error and omission insurance to Silfab Solar Inc.

ELECTRICAL SPECIFICATIONS		410	
Test Conditions		STC	NOCT
Module Power (Pmax)	Wp	410	306
Maximum power voltage (Vpmax)	V	38.99	36.24
Maximum power current (Ipmax)	A	10.52	8.43
Open circuit voltage (Voc)	V	45.59	42.76
Short circuit current (Isc)	A	11.15	8.99
Module efficiency	%	20.7%	19.3%
Maximum system voltage (VDC)	V		1000
Series fuse rating	A		20
Power Tolerance	Wp		0 to +10

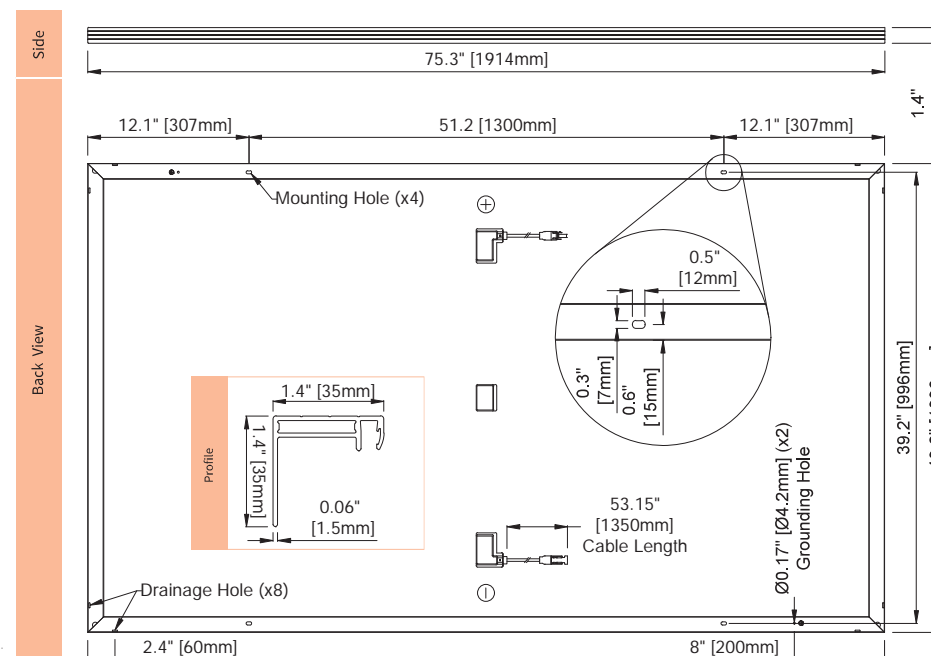
Measurement conditions: STC 1000 W/m² • AM 1.5 • Temperature 25 °C • NOCT 800 W/m² • AM 1.5 • Measurement uncertainty ≤ 3%
Sun simulator calibration reference modules from Fraunhofer Institute. Electrical characteristics may vary by ±5% and power by 0 to +10W.

MECHANICAL PROPERTIES / COMPONENTS	METRIC	IMPERIAL
Module weight	21.3kg ±0.2kg	47lbs ±0.4lbs
Dimensions (H x L x D)	1914 mm x 1036 mm x 35 mm	75.3 in x 40.8 in x 1.37 in
Maximum surface load (wind/snow)*	5400 Pa rear load / 5400 Pa front load	112.8 lb/ft ² rear load / 112.8 lb/ft ² front load
Hail impact resistance	Ø 25 mm at 83 km/h	Ø 1 in at 51.6 mph
Cells	132 Half cells - Si mono PERC 9 busbar - 83 x 166 mm	132 Half cells- Si mono PERC 9 busbar - 3.26 x 6.53 in
Glass	3.2 mm high transmittance, tempered, anti-reflective coating	0.126 in high transmittance, tempered, anti-reflective coating
Cables and connectors (refer to installation manual)	1350 mm, Ø 5.7 mm, MC4 from Staubli	53 in, Ø 0.22 in (12AWG), MC4 from Staubli
Backsheet	High durability, superior hydrolysis and UV resistance, multi-layer dielectric film, fluorine-free PV backsheet	
Frame	Anodized Aluminum (Black)	
Bypass diodes	3 diodes-30SQ045T (45V max DC blocking voltage, 30A max forward rectified current)	
Junction Box	UL 3730 Certified, IEC 62790 Certified, IP68 rated	

TEMPERATURE RATINGS		WARRANTIES	
Temperature Coefficient Isc	+0.064 %/°C	Module product workmanship warranty	25 years**
Temperature Coefficient Voc	-0.28 %/°C	Linear power performance guarantee	30 years
Temperature Coefficient Pmax	-0.36 %/°C		≥ 97.1% end 1st yr ≥ 91.6% end 12th yr ≥ 85.1% end 25th yr ≥ 82.6% end 30th yr
NOCT (± 2°C)	45 °C		
Operating temperature	-40/+85 °C		

CERTIFICATIONS		SHIPPING SPECS	
Product	UL 61215-1:2017 Ed.1, UL 61215-2:2017 Ed.1, UL 61730-1:2017 Ed.1, UL 61730-2:2017 Ed.1, CSA C22.2#61730-1:2019 Ed.2, CSA C22.2#61730-2:2019 Ed.2, IEC 61215-1:2016 Ed.1, IEC 61215-2:2016 Ed.1, IEC 61730-1:2016 Ed.2, IEC 61730-2:2016 Ed.2, IEC 61701:2020 (Salt Mist Corrosion), IEC 62716:2013 (Ammonia Corrosion), CEC Listing, UL Fire Rating: Type 2	Modules Per Pallet:	26 or 26 (California)
Factory	ISO9001:2015	Pallets Per Truck	32 or 30 (California)
		Modules Per Truck	832 or 780 (California)

* ⚠ Warning. Read the Safety and Installation Manual for mounting specifications and before handling, installing and operating modules.
** 12 year extendable to 25 years subject to registration and conditions outlined under "Warranty" at silfabsolar.com.
PAN files generated from 3rd party performance data are available for download at: silfabsolar.com/downloads.



SILFAB SOLAR INC.

800 Cornwall Ave
Bellingham WA 98225 USA
T +1 360.569.4733
info@silfabsolar.com
SILFABSOLAR.COM

1770 Port Drive
Burlington WA 98233 USA
T +1 360.569.4733

240 Courtneypark Drive East
Mississauga ON L5T 2Y3 Canada
T +1 905.255.2501
F +1 905.696.0267

Silfab - SIL-410-HC+-20230726
No reproduction of any kind is allowed without permission. Data and information is subject to modifications without notice. © Silfab Solar Inc., 2022. Silfab Solar® is a registered trademark of Silfab Solar Inc.



DRAWING NUMBER:

SS



IQ8M and IQ8A Microinverters

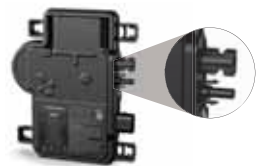
Our newest IQ8 Microinverters are the industry's first microgrid-forming, software-defined microinverters with split-phase power conversion capability to convert DC power to AC power efficiently. The brain of the semiconductor-based microinverter is our proprietary application-specific integrated circuit (ASIC), which enables the microinverter to operate in grid-tied or off-grid modes. This chip is built using advanced 55-nm technology with high-speed digital logic and has superfast response times to changing loads and grid events, alleviating constraints on battery sizing for home energy systems.



Part of the Enphase Energy System, IQ8 Series Microinverters integrate with the IQ Battery, IQ Gateway, and the Enphase App monitoring and analysis software.



IQ8 Series Microinverters redefine reliability standards with more than one million cumulative hours of power-on testing, enabling an industry-leading limited warranty of up to 25 years.



Connect PV modules quickly and easily to the IQ8 Series Microinverters that have integrated MC4 connectors.



IQ8 Series Microinverters are UL Listed as PV rapid shutdown equipment and conform with various regulations when installed according to the manufacturer's instructions.

Easy to install

- Lightweight and compact with plug-and-play connectors
- Power line communication (PLC) between components
- Faster installation with simple two-wire cabling

High productivity and reliability

- Produce power even when the grid is down*
- More than one million cumulative hours of testing
- Class II double-insulated enclosure
- Optimized for the latest high-powered PV modules

Microgrid-forming

- Complies with the latest advanced grid support**
- Remote automatic updates for the latest grid requirements
- Configurable to support a wide range of grid profiles
- Meets CA Rule 21 (UL 1741-SA) and IEEE 1547:2018 (UL 1741-SB 3rd Ed.)

NOTE:

- IQ8 Microinverters cannot be mixed together with previous generations of Enphase microinverters (IQ7 Series, IQ6 Series, and so on) in the same system.
- IQ Gateway is required to change the default grid profile at the time of installation to meet the local Authority Having Jurisdiction (AHJ) requirements.

INPUT DATA (DC)		UNITS	IQ8M-72-M-US	IQ8A-72-M-US
Commonly used module pairings ¹	W		260-460	295-500
Module compatibility			To meet compatibility, PV modules must be within the following maximum input DC voltage and maximum module I _{sc} . Module compatibility can be checked at https://enphase.com/installers/microinverters/calculator	
MPPT voltage range	V		30-45	32-45
Operating range	V			16-58
Minimum/Maximum start voltage	V			22/58
Maximum input DC voltage	V			60
Maximum continuous input DC current	A			12
Maximum input DC short-circuit current	A			25
Maximum module I _{sc}	A			20
Overvoltage class DC port				II
DC port backfeed current	mA			0
PV array configuration			1 x 1 ungrounded array; no additional DC side protection required; AC side protection requires max 20 A per branch circuit	
OUTPUT DATA (AC)		UNITS	IQ8M-72-M-US	IQ8A-72-M-US
Peak output power	VA		330	366
Maximum continuous output power	VA		325	349
Nominal grid voltage (L-L)	V		240, split-phase (L-L), 180°	
Minimum and Maximum grid voltage ²	V		211-264	
Maximum continuous output current	A		1.35	1.45
Nominal frequency	Hz		60	
Extended frequency range	Hz		47-68	
AC short-circuit fault current over three cycles	Amps		2	
Maximum units per 20 A (L-L) branch circuit ³			11	
Total harmonic distortion	%		<5	
Overvoltage class AC port			III	
AC port backfeed current	mA		30	
Power factor setting			1.0	
Grid-tied power factor (adjustable)			0.85 leading ... 0.85 lagging	
Peak efficiency	%		97.8	97.7
CEC weighted efficiency	%		97.5	97
Nighttime power consumption	mW		21	22
MECHANICAL DATA				
Ambient temperature range			-40°C to 60°C (-40°F to 140°F)	
Relative humidity range			4% to 100% (condensing)	
DC connector type			Stäubli MC4	
Dimensions (H × W × D)			212 mm (8.3") × 175 mm (6.9") × 30.2 mm (1.2")	
Weight			1.1 kg (2.43 lbs)	
Cooling			Natural convection—no fans	
Approved for wet locations			Yes	
Pollution degree			PD3	
Enclosure			Class II double-insulated, corrosion-resistant polymeric enclosure	
Environmental category/UV exposure rating			NEMA Type 6/outdoor	

(1) No enforced DC/AC ratio.

(2) Nominal voltage range can be extended beyond nominal if required by the utility.

(3) Limits may vary. Refer to local requirements to define the number of microinverters per branch in your area.

IQ8MA-MC4-DSH-00205-2.0-EN-US-2023-11-03

* Meets UL 1741 only when installed with IQ System Controller 2.

** IQ8M and IQ8A support split-phase, 240 V installations only.

Enphase Q Cable Accessories

The **Enphase Q Cable™** and accessories are part of the latest generation Enphase IQ System™. These accessories provide simplicity, reliability, and faster installation times.



Enphase Q Cable

- Two-wire, double-insulated Enphase Q Cable is 50% lighter than the previous generation Enphase cable
- New cable numbering and plug and play connectors speed up installation and simplify wire management
- Link connectors eliminate cable waste

Field-Wireable Connectors

- Easily connect Q cables on the roof without complex wiring
- Make connections from any open connector and center feed any section of cable within branch limits
- Available in male and female connector types

Enphase Q Cable Accessories

CONDUCTOR SPECIFICATIONS

Certification	UL3003 (raw cable), UL 9703 (cable assemblies), DG cable
Flame test rating	FT4
Compliance	RoHS, OIL RES I, CE, UV Resistant, combined UL for Canada and United States
Conductor type	THHN/THWN-2 dry/wet
Disconnecting means	The AC and DC bulkhead connectors have been evaluated and approved by UL for use as the load-break disconnect required by NEC 690.





Q CABLE TYPES / ORDERING OPTIONS

Connectorized Models	Size / Max Nominal Voltage	Connector Spacing	PV Module Orientation	Connector Count per Box
Q-12-10-240	12 AWG / 277 VAC	1.3 m (4.2 ft)	Portrait	240
Q-12-17-240	12 AWG / 277 VAC	2.0 m (6.5 ft)	Landscape (60-cell)	240
Q-12-20-200	12 AWG / 277 VAC	2.3 m (7.5 ft)	Landscape (72-cell)	200

ENPHASE Q CABLE ACCESSORIES

Name	Model Number	Description
Raw Q Cable	Q-12-RAW-300	300 meters of 12 AWG cable with no connectors
Field-wireable connector (male)	Q-CONN-10M	Make connections from any open connector
Field-wireable connector (female)	Q-CONN-10F	Make connections from any Q Cable open connector
Cable Clip	Q-CLIP-100	Used to fasten cabling to the racking or to secure looped cabling
Disconnect tool	Q-DISC-10	Disconnect tool for Q Cable connectors, DC connectors, and AC module mount
Q Cable sealing caps (female)	Q-SEAL-10	One needed to cover each unused connector on the cabling
Terminator	Q-TERM-10	Terminator cap for unused cable ends
Enphase EN4 to MC4 adaptor ¹	ECA-EN4-S22	Connect PV module using MC4 connectors to IQ micros with EN4 (TE PV4-S SOLARLOK). 150mm/5.9" to MC4.
Enphase EN4 non-terminated adaptor ¹	ECA-EN4-FW	For field wiring of UL certified DC connectors. EN4 (TE PV4-S SOLARLOK) to non-terminated cable. 150mm/5.9"
Enphase EN4 to MC4 adaptor (long) ¹	ECA-EN4-S22-L	Longer adapter cable for EN4 (TE PV4-S SOLARLOK) to MC4. Use with split cell modules or PV modules with short DC cable. 600mm/23.6"
Replacement DC Adaptor (MC4)	Q-DCC-2	DC adaptor to MC4 (max voltage 100 VDC)
Replacement DC Adaptor (UTX)	Q-DCC-5	DC adaptor to UTX (max voltage 100 VDC)

1. Qualified per UL subject 9703.

	TERMINATOR Terminator cap for unused cable ends, sold in packs of ten (Q-TERM-10)		SEALING CAPS Sealing caps for unused aggregator and cable connections (Q-BA-CAP-10 and Q-SEAL-10)
	DISCONNECT TOOL Plan to use at least one per installation, sold in packs of ten (Q-DISC-10)		CABLE CLIP Used to fasten cabling to the racking or to secure looped cabling, sold in packs of one hundred (Q-CLIP-100)

To learn more about Enphase offerings, visit enphase.com

To learn more about Enphase offerings, visit enphase.com



© 2020 Enphase Energy. All rights reserved. Enphase, the Enphase logo, Enphase IQ 7A, Enphase IQ Battery, Enphase Enlighten, Enphase IQ Envoy, and other trademarks or service names are the trademarks of Enphase Energy, Inc. Data subject to change.
 2020-06-26



DRAWING NUMBER:

SS

IQ Combiner 4/4C



The **IQ Combiner 4/4C** with IQ Gateway and integrated LTE-M1 cell modem (included only with IQ Combiner 4C) consolidates interconnection equipment into a single enclosure. It streamlines IQ Microinverters and storage installations by providing a consistent, pre-wired solution for residential applications. It offers up to four 2-pole input circuits and Eaton BR series busbar assembly.

Smart

- Includes IQ Gateway for communication and control
- Includes Mobile Connect cellular modem (CELLMODEM-M1-06-SP-05), included only with IQ Combiner 4C
- Includes solar shield to match Enphase IQ Battery aesthetics and deflect heat
- Supports Wi-Fi, Ethernet, or cellular connectivity
- Optional AC receptacle available for PLC bridge
- Provides production metering and consumption monitoring

Simple

- Mounts on single stud with centered brackets
- Supports bottom, back and side conduit entry
- Allows up to four 2-pole branch circuits for 240VAC plug-in breakers (not included)
- 80A total PV or storage branch circuits

Reliable

- Durable NRTL-certified NEMA type 3R enclosure
- Five-year limited warranty
- Two years labor reimbursement program coverage included for both the IQ Combiner SKU's
- UL listed
- X2-IQ-AM1-240-4 and X2-IQ-AM1-240-4C comply with IEEE 1547:2018 (UL 1741-SB, 3rd Ed.)

IQ Combiner 4/4C

MODEL NUMBER

IQ Combiner 4 X-IQ-AM1-240-4 X2-IQ-AM1-240-4 (IEEE 1547:2018)	IQ Combiner 4 with IQ Gateway printed circuit board for integrated revenue grade PV production metering (ANSI C12.20 ± 0.5%) and consumption monitoring (± 2.5%). Includes a silver solar shield to match the IQ Battery and IQ System Controller 2 and to deflect heat.
IQ Combiner 4C X-IQ-AM1-240-4C X2-IQ-AM1-240-4C (IEEE 1547:2018)	IQ Combiner 4C with IQ Gateway printed circuit board for integrated revenue grade PV production metering (ANSI C12.20 ± 0.5%) and consumption monitoring (± 2.5%). Includes Mobile Connect cellular modem (CELLMODEM-M1-06-SP-05), a plug-and-play industrial-grade cell modem for systems up to 60 microinverters. (Available in the US, Canada, Mexico, Puerto Rico, and the US Virgin Islands, where there is adequate cellular service in the installation area.) Includes a silver solar shield to match the IQ Battery and IQ System Controller and to deflect heat.

ACCESSORIES AND REPLACEMENT PARTS (not included, order separately)

Supported microinverters	IQ6, IQ7, and IQ8. (Do not mix IQ6/7 Microinverters with IQ8)
Communications Kit COMMS-CELLMODEM-M1-06 CELLMODEM-M1-06-SP-05 CELLMODEM-M1-06-AT-05	- Includes COMMS-KIT-01 and CELLMODEM-M1-06-SP-05 with 5-year Sprint data plan - 4G based LTE-M1 cellular modem with 5-year Sprint data plan - 4G based LTE-M1 cellular modem with 5-year AT&T data plan
Circuit Breakers BRK-10A-2-240V BRK-15A-2-240V BRK-20A-2P-240V BRK-15A-2P-240V-B BRK-20A-2P-240V-B	Supports Eaton BR210, BR215, BR220, BR230, BR240, BR250, and BR260 circuit breakers. Circuit breaker, 2 pole, 10A, Eaton BR210 Circuit breaker, 2 pole, 15A, Eaton BR215 Circuit breaker, 2 pole, 20A, Eaton BR220 Circuit breaker, 2 pole, 15A, Eaton BR215B with hold down kit support Circuit breaker, 2 pole, 20A, Eaton BR220B with hold down kit support
XA-SOLARSHIELD-ES	Replacement solar shield for IQ Combiner 4/4C
XA-PLUG-120-3	Accessory receptacle for Power Line Carrier in IQ Combiner 4/4C (required for EPLC-01)
X-IQ-NA-HD-125A	Hold-down kit for Eaton circuit breaker with screws
Consumption monitoring CT (CT-200-SPLIT/CT-200-CLAMP)	A pair of 200A split core current transformers

ELECTRICAL SPECIFICATIONS

Rating	Continuous duty
System voltage	120/240VAC, 60 Hz
Eaton BR series busbar rating	125A
Max. continuous current rating	65A
Max. continuous current rating (input from PV/storage)	64A
Max. fuse/circuit rating (output)	90A
Branch circuits (solar and/or storage)	Up to four 2-pole Eaton BR series Distributed Generation (DG) breakers only (not included)
Max. total branch circuit breaker rating (input)	80A of distributed generation/95A with IQ Gateway breaker included
IQ Gateway breaker	10A or 15A rating GE/Siemens/Eaton included
Production metering CT	200A solid core pre-installed and wired to IQ Gateway

MECHANICAL DATA

Dimensions (WxHxD)	37.5 cm x 49.5 cm x 16.8 cm (14.75 in x 19.5 in x 6.63 in). Height is 53.5 cm (21.06 in) with mounting brackets.
Weight	7.5 kg (16.5 lbs)
Ambient temperature range	-40°C to +46°C (-40°F to 115°F)
Cooling	Natural convection, plus heat shield
Enclosure environmental rating	Outdoor, NRTL-certified, NEMA type 3R, polycarbonate construction
Wire sizes	<ul style="list-style-type: none"> • 20A to 50A breaker inputs: 14 to 4 AWG copper conductors • 60A breaker branch input: 4 to 1/0 AWG copper conductors • Main lug combined output: 10 to 2/0 AWG copper conductors • Neutral and ground: 14 to 1/0 copper conductors • Always follow local code requirements for conductor sizing.
Altitude	Up to 3,000 meters (9,842 feet)

INTERNET CONNECTION OPTIONS

Integrated Wi-Fi	IEEE 802.11b/g/n
Cellular	CELLMODEM-M1-06-SP-05, CELLMODEM-M1-06-AT-05 (4G based LTE-M1 cellular modem). Note that an Mobile Connect cellular modem is required for all Enphase Energy System installations.
Ethernet	Optional, IEEE 802.3, Cat5E (or Cat6) UTP Ethernet cable (not included)

COMPLIANCE

Compliance, IQ Combiner	CA Rule 21 (UL 1741-SA) IEEE 1547:2018 - UL 1741-SB, 3 rd Ed. (X2-IQ-AM1-240-4 and X2-IQ-AM1-240-4C) CAN/CSA C22.2 No. 107.1, Title 47 CFR, Part 15, Class B, ICES 003 Production metering: ANSI C12.20 accuracy class 0.5 (PV production) Consumption metering: accuracy class 2.5
Compliance, IQ Gateway	UL 60601-1/CANCSA 22.2 No. 61010-1

© 2022 Enphase Energy. All rights reserved. Enphase, the Enphase logo, IQ Combiner 4/4C, and other names are trademarks of Enphase Energy, Inc. Data subject to change.

IQ-C-4-4C-DS-0103-EN-US-12-29-2022



To learn more about Enphase offerings, visit enphase.com
IQ-C-4-4C-DS-0103-EN-US-12-29-2022



DRAWING NUMBER:

SS

Enphase IQ Envoy

The **Enphase IQ Envoy™** communications gateway delivers solar production and energy consumption data to Enphase Enlighten™ monitoring and analysis software for comprehensive, remote maintenance and management of the Enphase IQ System.

With integrated revenue grade production metering and optional consumption monitoring, Envoy IQ is the platform for total energy management and integrates with the Enphase Ensemble™ and the Enphase IQ Battery™.



Smart

- Enables web-based monitoring and control
- Bidirectional communications for remote upgrades
- Supports power export limiting and zeroexport applications

Simple

- Easy system configuration using Enphase Installer Toolkit™ mobile app
- Flexible networking with Wi-Fi, Ethernet, or cellular

Reliable

- Designed for installation indoors or outdoors
- Five-year warranty

Enphase IQ Envoy

MODEL NUMBERS

Enphase IQ Envoy™ ENV-IQ-AM1-240	Enphase IQ Envoy communications gateway with integrated revenue grade PV production metering (ANSI C12.20 +/- 0.5%) and optional consumption monitoring (+/- 2.5%). Includes one 200A continuous rated production CT (current transformer).
-------------------------------------	---

ACCESORIES (Order Separately)

Enphase Mobile Connect™ CELLMODEM-M1 (4G based LTE-M/5-year data plan) CELLMODEM-M1-B (4G-based LTE-M1/5-year data plan)	Plug and play industrial grade cellular modem with data plan for systems up to 60 microinverters. (Available in the US, Canada, Mexico, Puerto Rico, and the US Virgin Islands, where there is adequate cellular service in the installation area.)
Consumption Monitoring CT CT-200-SPLIT	Split-core consumption CTs enable whole home metering.
Ensemble Communications Kit COMMS-KIT-01	Installed at the IQ Envoy. For communications with Enphase Encharge™ storage and Enphase Enpower™ smart switch. Includes USB cable for connection to IQ Envoy or Enphase IQ Combiner™ and allows wireless communication with Encharge and Enpower.

POWER REQUIREMENTS

Power requirements	120/240 VAC split-phase. Max 20 A overcurrent protection required.
Typical Power Consumption	5W

CAPACITY

Number of microinverters polled	Up to 600
---------------------------------	-----------

MECHANICAL DATA

Dimensions (WxHxD)	21.3 x 12.6 x 4.5 cm (8.4" x 5" x 1.8")
Weight	17.6 oz (498 g)
Ambient temperature range	-40° to 65° C (-40° to 149° F) -40° to 46° C (-40° to 115° F) if installed in an enclosure
Environmental rating	IP30. For installation indoors or in an NRTL-certified, NEMA type 3R enclosure.
Altitude	To 2000 meters (6,560 feet)
Production CT	- Limited to 200A of continuous current / 250A OCPD – 72kW AC - Internal aperture measures 19.36mm to support 250MCM THWN conductors (max) - UL2808 certified for revenue grade metering
Consumption CT	- For electrical services to 250A with parallel runs up to 500A - Internal aperture measures 0.84" x 0.96" (21.33mm x 24.38mm) to support 3/0 THWN conductor - UL2808 certified, for use at service entrance for services up to 250Vac

INTERNET CONNECTION OPTIONS

Integrated Wi-Fi	802.11b/g/n
Ethernet	802.3, Cat5E (or Cat 6) UTP Ethernet cable (not included)
Mobile	CELLMODEM-M1 (4G) or CELLMODEM-M1-B (4G). Not included. Note that an Enphase Mobile Connect cellular modem is required for all Ensemble installations.

COMPLIANCE

Compliance	UL 61010-1 CAN/CSA C22.2 No. 61010-1 47 CFR, Part 15, Class B, ICES 003 IEC/EN 61010-1:2010, EN50065-1, EN61000-4-5, EN61000-6-1, EN61000-6-2 Metering: ANSI C12.20 accuracy class 0.5 (PV production only)
------------	--



1403 N. Research Way
Orem, UT 84097

800.377.4480
WWW.BLUERAVENSOLAR.COM

CONFIDENTIAL- THE INFORMATION HEREIN CONTAINED SHALL NOT BE USED FOR THE BENEFIT OF ANYONE EXCEPT BLUE RAVEN SOLAR NOR SHALL IT BE DISCLOSED IN WHOLE OR IN PART TO OTHERS OUTSIDE RECIPIENTS ORGANIZATION, EXCEPT IN CONNECTION WITH THE SALE AND USE OF THE RESPECTIVE EQUIPMENT, WITHOUT THE WRITTEN PERMISSION OF BLUE RAVEN SOLAR LLC.



PV INSTALLATION
PROFESSIONAL
Scott Gurney
#PV-011719-015866

CONTRACTOR:
BRS FIELD OPS
385-498-6700

DRAWING BY:

PLOT DATE:

PROJECT NUMBER:

SHEET NAME:

SPEC SHEET

REVISION:

PAGE NUMBER:

SS



To learn more about Enphase offerings, visit enphase.com



To learn more about Enphase offerings, visit enphase.com

© 2021 Enphase Energy. All rights reserved. Enphase, the Enphase logo, IQ Envoy, and other trademarks or service names are the trademarks of Enphase Energy, Inc. Data subject to change. 06-30-2021



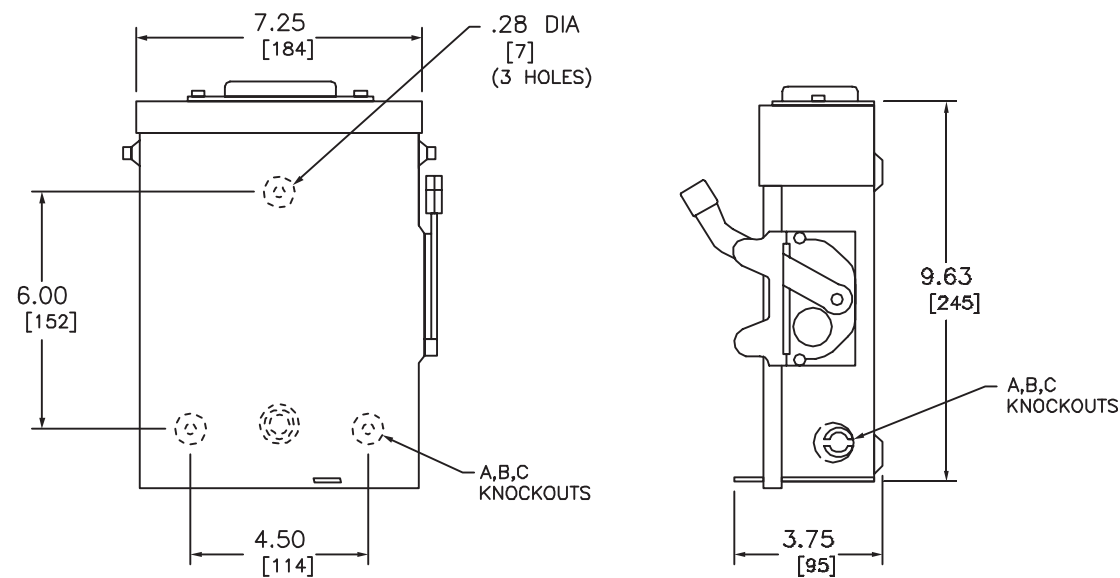
CONFIDENTIAL- THE INFORMATION HEREIN CONTAINED SHALL NOT BE USED FOR THE BENEFIT OF ANYONE EXCEPT BLUE RAVEN SOLAR NOR SHALL IT BE DISCLOSED IN WHOLE OR IN PART TO OTHERS OUTSIDE RECIPIENTS ORGANIZATION, EXCEPT IN CONNECTION WITH THE SALE AND USE OF THE RESPECTIVE EQUIPMENT, WITHOUT THE WRITTEN PERMISSION OF BLUE RAVEN SOLAR LLC.



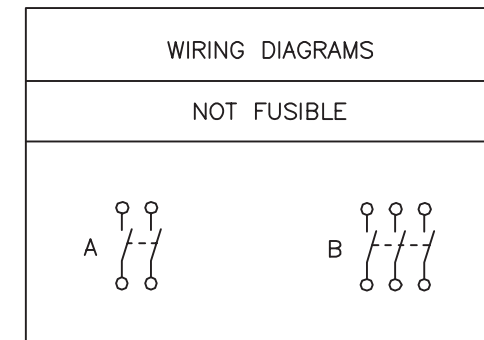
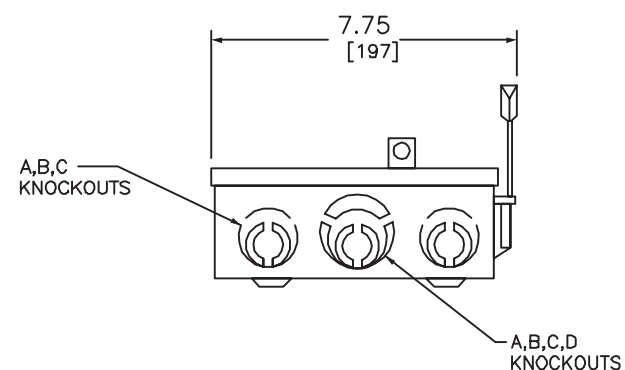
**PV INSTALLATION
PROFESSIONAL**

Scott Gurney
#PV-011719-015866

**CONTRACTOR:
BRS FIELD OPS
385-498-6700**



NEMA TYPE 3R



TERMINAL LUGS ‡			
AMPERES	MAX. WIRE	MIN. WIRE	TYPE
60	# 2 AWG	#10 AWG	AL
	# 2 AWG	#14 AWG	CU

KNOCKOUTS				
SYMBOL	A	B	C	D
CONDUIT SIZE	.50	.75	1	1.25

DUAL DIMENSIONS: INCHES
MILLIMETERS

CATALOG NUMBER	VOLTAGE RATINGS	WIRING DIAG.	HORSEPOWER RATINGS	
			240VAC	
			MAX.	
			1 Ø	3 Ø
DU222RB	240VAC	A	10	—
DU322RB	240VAC	B	10	15

NOTES:
FINISH — GRAY BAKED ENAMEL
UL LISTED — FILE E-2875
SUITABLE FOR USE AS SERVICE EQUIPMENT
TOP OF NEMA TYPE 3R SWITCHES HAVE PROVISIONS FOR MAXIMUM 2 1/2" BOLT-ON HUB.
SHORT CIRCUIT CURRENT RATINGS:
10,000 AMPERES WHEN USED WITH OR PROTECTED BY CLASS H OR K FUSES
100,000 AMPERES WHEN USED WITH OR PROTECTED BY CLASS R FUSES.
‡ LUGS SUITABLE FOR 60°C OR 75°C COPPER OR ALUMINUM CONDUCTORS.

GENERAL DUTY SAFETY SWITCHES
VISIBLE BLADE TYPE
60 AMPERE
ENCLOSURE — NEMA TYPE 3R RAINPROOF



DWG# 1861
NO.

DRAWING BY:

PLOT DATE:

PROJECT NUMBER:

SHEET NAME:

SPEC SHEET

REVISION:

PAGE NUMBER:

SS

A. System Specifications and Ratings

- Maximum Voltage: 1,000 Volts
- Maximum Current: 80 Amps
- Allowable Wire: 14 AWG – 6 AWG
- Spacing: Please maintain a spacing of at least ½” between uninsulated live parts and fittings for conduit, armored cable, and uninsulated live parts of opposite polarity.
- Enclosure Rating: Type 3R
- Roof Slope Range: 2.5 – 12:12
- Max Side Wall Fitting Size: 1”
- Max Floor Pass-Through Fitting Size: 1”
- Ambient Operating Conditions: (-35°C) - (+75°C)
- Compliance:
 - JB-1.2: UL1741
 - Approved wire connectors: must conform to UL1741
- System Marking: **Interek Symbol and File #5019942**
- Periodic Re-inspections: If re-inspections yield loose components, loose fasteners, or any corrosion between components, components that are found to be affected are to be replaced immediately.

ITEM NO.	PART NUMBER	DESCRIPTION	QTY
1	JB-1.2 BODY	POLYCARBONATE WITH UV INHIBITORS	1
2	JB-1.2 LID	POLYCARBONATE WITH UV INHIBITORS	1
3	#10 X 1-1/4" PHILLIPS PAN HEAD SCREW		6
4	#8 X 3/4" PHILLIPS PAN HEAD SCREW		6

SIZE	DWG. NO.	REV
B	JB-1.2	
SCALE: 1:2	WEIGHT: 1.45 LBS	SHEET 1 OF 3

TORQUE SPECIFICATION:	15-20 LBS
CERTIFICATION:	UL STANDARD 1741, NEMA 3R
WEIGHT:	1.45 LBS



PV INSTALLATION PROFESSIONAL
Scott Gurney
#PV-011719-015866

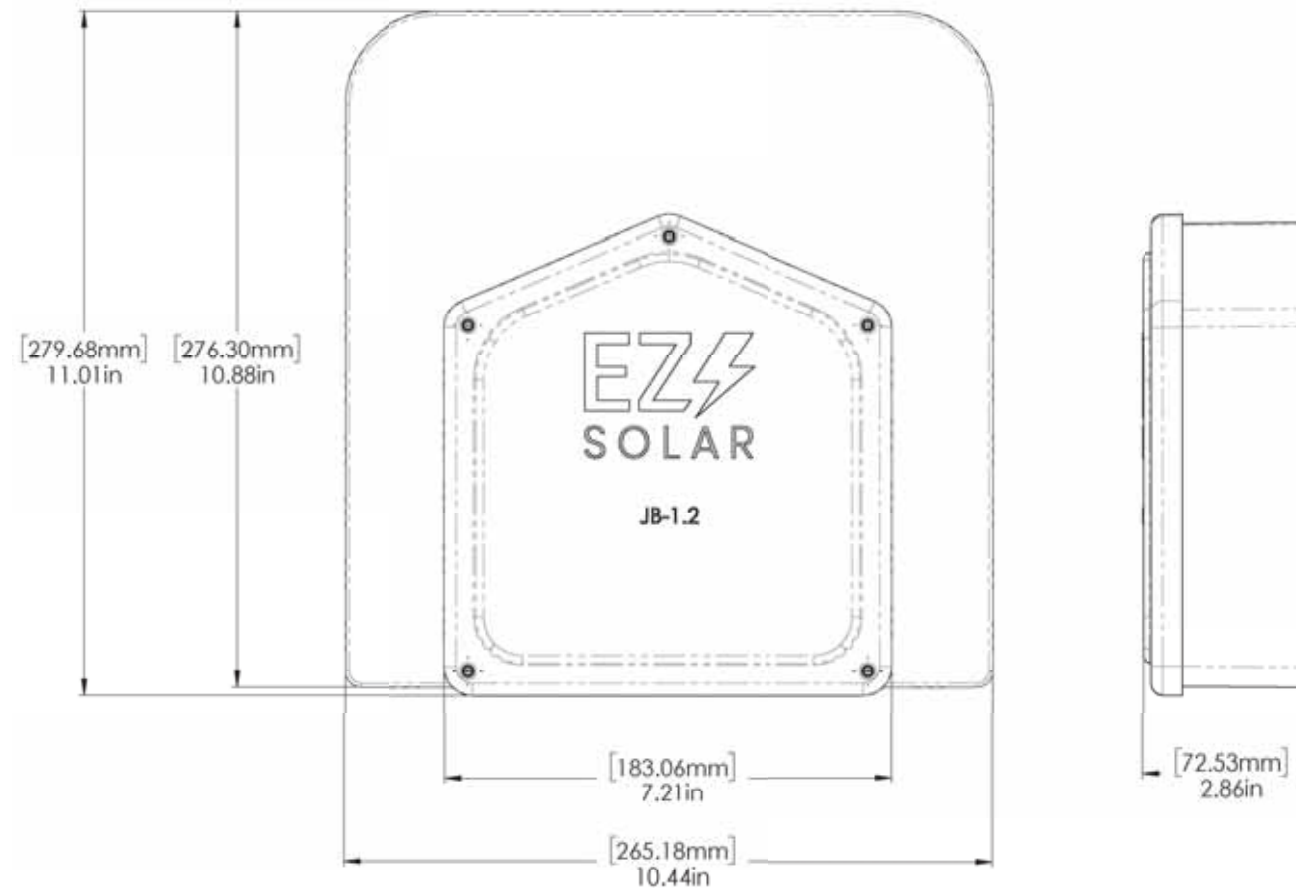
CONTRACTOR:
BRS FIELD OPS
385-498-6700

Table 1: Typical Wire Size, Torque Loads and Ratings

	1 Conductor	2 Conductor	Torque				
			Type	NM	Inch Lbs	Voltage	Current
ABB Z56 terminal block	10-24 awg	16-24 awg	Sol/Str	0.5-0.7	6.2-8.85	600V	30 amp
ABB Z510 terminal block	6-24 awg	12-20 awg	Sol/Str	1.0-1.6	8.85-14.16	600V	40 amp
ABB Z516 terminal block	4-24 awg	10-20 awg	Sol/Str	1.6-2.4	14.6-21.24	600V	60 amp
ABB M6/8 terminal block	8-22 awg		Sol/Str	.08-1	8.85	600V	50 amp
Ideal 452 Red WING-NUT Wire Connector	8-18 awg		Sol/Str	Self Torque	Self Torque	600V	
Ideal 451 Yellow WING-NUT Wire Connector	10-18 awg		Sol/Str	Self Torque	Self Torque	600V	
Ideal, In-Sure Push-In Connector Part #39	10-14 awg		Sol/Str	Self Torque	Self Torque	600V	
WAGO, 2204-1201	10-20 awg	16-24 awg	Sol/Str	Self Torque	Self Torque	600V	30 amp
WAGO, 221-612	10-20 awg	10-24 awg	Sol/Str	Self Torque	Self Torque	600V	30 amp
Dottie DRC75	6-12 awg		Sol/Str	Snap-In	Snap-In		
ESP NG-53	4-6 awg		Sol/Str		45	2000V	
	10-14 awg		Sol/Str		35		
ESP NG-717	4-6 awg		Sol/Str		45	2000V	
	10-14 awg		Sol/Str		35		
Brumall 4-5,3	4-6 awg		Sol/Str		45	2000V	
	10-14 awg		Sol/Str		35		

Table 2: Minimum wire-bending space for conductors through a wall opposite terminals in mm (inches)

Wire size, AWG or kcmil (mm2)	Wires per terminal (pole)			
	1 mm (inch)	2 mm (inch)	3 mm (inch)	4 or More mm (inch)
14-10 (2.1-5.3)	Not specified	-	-	-
8 (8.4)	38.1 (1-1/2)	-	-	-
6 (13.3)	50.8 (2)	-	-	-



DRAWING BY:

PLOT DATE:

PROJECT NUMBER:

SHEET NAME:

SPEC SHEET

REVISION:

PAGE NUMBER:

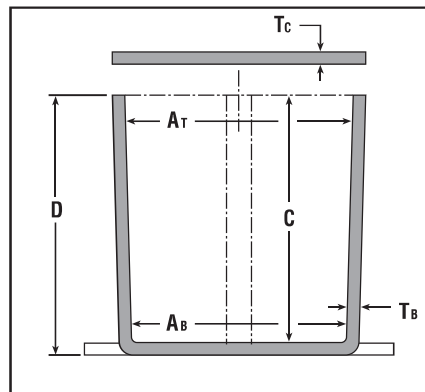
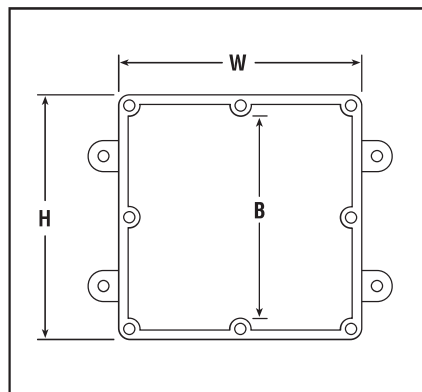
SS

Rigid Nonmetallic Conduit – Junction Boxes

Molded Nonmetallic Junction Boxes 6P Rated

It's another first from Carlon® - the first nonmetallic junction boxes UL Listed with a NEMA 6P rating per Section 314.29, Exception of the National Electrical Code. Manufactured from PVC or PPO thermoplastic molding compound and featuring foam-in-place gasketed lids attached with stainless steel screws, these rugged enclosures offer all the corrosion resistance and physical properties you need for direct burial applications.

Type 6P enclosures are intended for indoor or outdoor use, primarily to provide a degree of protection against contact with enclosed equipment, falling dirt, hose-directed water, entry of water during prolonged submersion at a limited depth, and external ice formation.



- All Carlon Junction Boxes are UL Listed and maintain a minimum of a NEMA Type 4/4X Rating.
- Parts numbers with an asterisk (*) are UL Listed and maintain a NEMA Type 6P Rating and Type 4/4X Rating.

Part No.	Size in Inches H x W x D	Std. Ctn. Qty.	Min. At	Min. Ab	Min. B	Min. C	Ta	Tc Typical	Material		Std. Ctn. Wt. (Lbs.)
									PVC	Thermo-plastic	
E989NNJ-CAR*	4 x 4 x 2	5	3 11/16	3 5/8	N/A	2	.160	.155	X		3
E987N-CAR*	4 x 4 x 4	5	3 11/16	3 1/2	N/A	4	.160	.155	X		4
†E989NNR-CAR*	4 x 4 x 6	4	3 11/16	3 3/8	N/A	6	.160	.200	X		5
E989PPJ-CAR*	5 x 5 x 2	4	4 11/16	4 1/2	N/A	2	.110	.150		X	3
E987R-CAR*	6 x 6 x 4	2	6	5 5/8	N/A	4	.190	.190		X	3
E989RRR-UPC*	6 x 6 x 6	8	5 5/8	5 3/8	N/A	6	.160	.150		X	14
E989N-CAR	8 x 8 x 4	1	8	8	N/A	4	.185	.190		X	2
E989SX-UPC	8 x 8 x 7	2	7 21/32	7 5/16	N/A	7	.160	.150		X	6
E989UUN	12 x 12 x 4	3	11 5/8	11 1/2	11 1/8	4	.160	.150		X	12
E989R-UPC	12 x 12 x 6	2	11 5/16	11 7/8	11 7/16	6	.265	.185		X	10

Carlon®

VIEW SHOWN LESS COVER FOR CLARITY

SIZE	A	B	C
E989NNJ E989NNJB E989NNJ-CAR E989NNJCL E989NNJL (4X4X2)	2.00 (50.8)	4.63 (117.6)	5.13 (130.2)
E989NNR E989NNR-CAR (4X4X6)	8.00 (152.4)	5.00 (127.0)	5.50 (139.7)

SECTION A-A
SCALE 0.500

NOTES:
1. MATERIAL: PVC
2. NEMA TYPES: 4/4X, 6P

GENERAL NOTES

1. ALL DIMENSIONS ARE FOR REFERENCE ONLY.
2. DIMENSIONS IN BRACKETS [] ARE IN METRIC UNITS.

REVISIONS

F SEE ERN 2016195 FOR APPROVAL SIGNATURES & RELEASE DATE.
PROJECT NO: 5AM000006

DESCRIPTION: **MOLDED NON-METALLIC ENCLOSURE**

ORIGINAL PROJECT NO / (ERN NO)	SHEET NO:	REV. NO:	DRAWING NO:
/ ()	2 OF 2	F	WSD-AC01977

THIS DRAWING IS INTENDED FOR DESCRIPTIVE PURPOSES ONLY. AND THE RIGHT IS RESERVED TO DEVIATE FROM ANY OF THE DETAILS SHOWN HEREON.
Copyright Thomas & Betts - Proprietary. All Rights Reserved



1403 N. Research Way
Orem, UT 84097
800.377.4480
WWW.BLUERAVENSOLAR.COM

CONFIDENTIAL- THE INFORMATION HEREIN CONTAINED SHALL NOT BE USED FOR THE BENEFIT OF ANYONE EXCEPT BLUE RAVEN SOLAR NOR SHALL IT BE DISCLOSED IN WHOLE OR IN PART TO OTHERS OUTSIDE RECIPIENTS ORGANIZATION, EXCEPT IN CONNECTION WITH THE SALE AND USE OF THE RESPECTIVE EQUIPMENT, WITHOUT THE WRITTEN PERMISSION OF BLUE RAVEN SOLAR LLC.



PV INSTALLATION PROFESSIONAL
Scott Gurney
#PV-011719-015866

CONTRACTOR:
BRS FIELD OPS
385-498-6700

DRAWING BY:

PLOT DATE:

PROJECT NUMBER:

SHEET NAME:

SPEC SHEET

REVISION:

PAGE NUMBER:

SS

“Stay Connected” with **HEYCO** Solar Power Components
a PennEngineering® Company

Heyco®-Tite Liquid Tight Cordgrips for Enphase Q Cables

Straight-Thru, NPT Hubs with Integral Sealing Ring

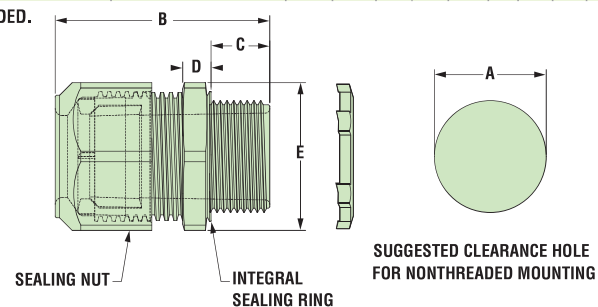
The Ultimate in Liquid Tight Strain Relief Protection

ALL NEW
PRODUCT!



GLAND CONFIGURATION	PART NO.	DESCRIPTION	UL/CSA or SR	PART DIMENSIONS											
				A	B	C	D	E							
Type	Size	No.	Black	Clearance Hole Dia.	Max. O.A. Length	Thread Length	Wrenching Nut Thickness	Flat Size							
*	mm.			in.	mm.	in.	mm.	in.	mm.						
Oval Gland															
Q Cable	6.1 x 9.7	1	M3231GCZ	LTCG 1/2 6.1x9.7MM	UL/CSA	.875	22.2	1.70	43.2	.61	15.5	.21	5.3	.98	24.9
Break-Thru Skinned Over Gland															
Q Cables plus Ground	6.1 x 9.7 3.3	2 1	M3234GDA-SM	SMCG 3/4 2-6.1x9.7MM 1-3.3MM	UL/CSA	1.040	26.4	2.00	50.8	.62	15.7	.25	6.4	1.30	33.0

Metal Locknuts INCLUDED.



Material	Nylon 6/6 with TPE Sealing Gland
Certifications	UL Listed under Underwriters' Laboratories File E504900 CSA Certified by the Canadian Standards Association File 93876
Flammability Rating	94V-2
Temperature Range	Static -40°F (-40°C) to 239°F (115°C) Dynamic -4°F (-20°C) to 212°F (100°C)
IP Rating	IP 68

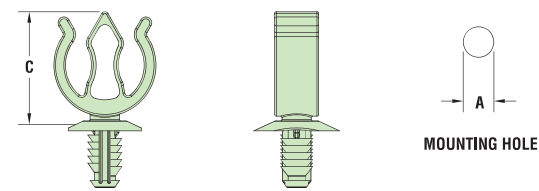
- Two new cordgrips now accommodate the Enphase Q Cable – M3231GCZ (1/2" NPT) and M3234GDA-SM (3/4" NPT).
- The 1/2" version provides liquid tight entry for one Enphase Q Cable – .24 x .38" (6,1 x 9,7 mm).
- The 3/4" version provides liquid tight entry for up to two Enphase Q Cables – .24 x .38" (6,1 x 9,7 mm) and an additional .130" (3,3 mm) dia. hole for a #8 solid grounding cable.
- The 3/4" version utilizes our skinned-over technology so any unused holes will retain a liquid tight seal.
- Rated for use with DG Cable.

Heyco® Helios® UVX Clip – Blind Mount

ALL NEW
PRODUCT!



PANEL THICKNESS RANGE		WIRE DIAMETER RANGE		PART NO.	DESCRIPTION	MOUNTING HOLE DIA. A	OVERALL HEIGHT C
Minimum	Maximum	1-2 Wires					
in.	mm.	in.	mm.			in.	mm.
1-2 Wires							
.028	0,7	.250	6,4	.23 (5,8 mm) - .32 (8,0 mm) each cable	S6520 S6560	Helios UVX Clip 100 Pack Helios UVX Clip Bulk	.260 6,6 .96 24,4



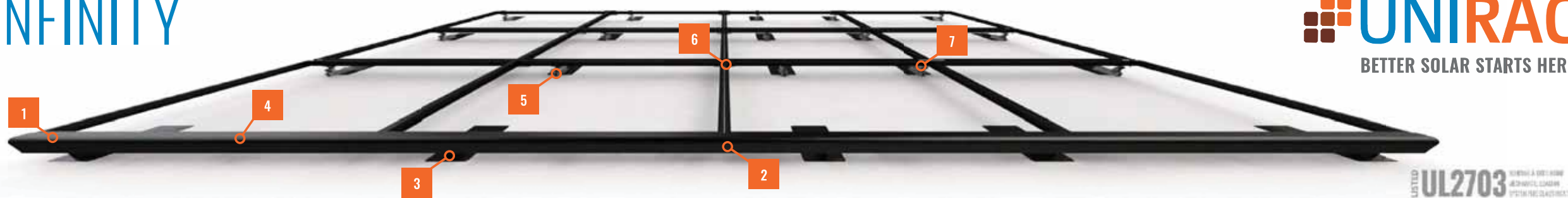
Material	Nylon 6/6 with extended UV Capabilities
Flammability Rating	94V-2
Temperature Range	Dynamic -4°F (-20°C) to 185°F (85°C)

- The jersey pine tree mounting style installs easily with superior holding power.
- UVX nylon protects from corrosion due to outdoor exposure.
- Installs into .260" (6,6 mm) mounting hole.
- Holds up to 2 cables between .230 - .315" (5,8 - 8,0 mm) each.
- Cables install with fingertip pressure.
- Molded from our robust UVX nylon 6/6 with extended UV capabilities for our Solar 20 Year Warranty.

SFM INFINITY



UNIRAC
BETTER SOLAR STARTS HERE



LISTED **UL2703** WITH A DESIGN APPROVAL, LISTED SYSTEM CLASSIFICATION



2 INSTALLS PER DAY

Make two installs per day your new standard. **SFM INFINITY** has fewer roof attachments, one tool installation, and pre-assembled components to get you off the roof 40% faster.

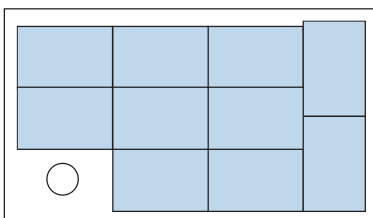
87% OF HOMEOWNERS
PREFER

BETTER AESTHETICS








Install the system with the aesthetics preferred by homeowners, with integrated front trim, trim end caps, dark components, and recessed hardware.

MAXIMUM POWER DENSITY




Easily mix module orientations to achieve optimal power density without incurring the increased bill of materials, labor, and attachments required by rail.



SYSTEM OVERVIEW

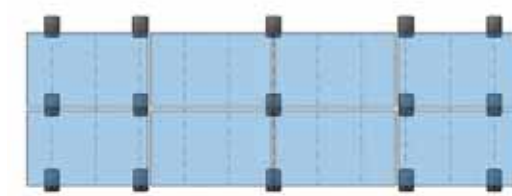
	PART NAME	DESCRIPTION
1	 TRIMRAIL	Structural front trim provides aesthetic and aligns modules.
2	 TRIMRAIL SPLICE	Connects and electrically bonds sections of TRIMRAIL .
3	 TRIMRAIL FLASHKIT	Attaches TRIMRAIL to roof. Available for comp shingle or tile.
4	 MODULE CLIPS	Secure modules to TRIMRAIL .
5	 MICRORAIL	Connects modules to SLIDERS. Provides post-install array leveling.
6	 SPLICE	Connects and supports modules. Provides east-west bonding. ATTACHED SPLICE also available.
7	 SLIDER FLASHKIT	Roof attachment and flashing. Available for comp shingle and tile.

BONDING AND ACCESSORIES

	PART NAME	DESCRIPTION
	 TRIMRAIL ENDCAPS	Covers ends of TRIMRAIL for refined aesthetic.
	 TRIMRAIL BONDING CLAMP	Electrically bonds TRIMRAIL and modules
	 N/S BONDING CLAMP	Electrically bonds rows of modules

20% FEWER ATTACHMENTS

Save time and money on every project: **SFM INFINITY** requires fewer attachments than rail systems.



SFM INFINITY 15 Attachments



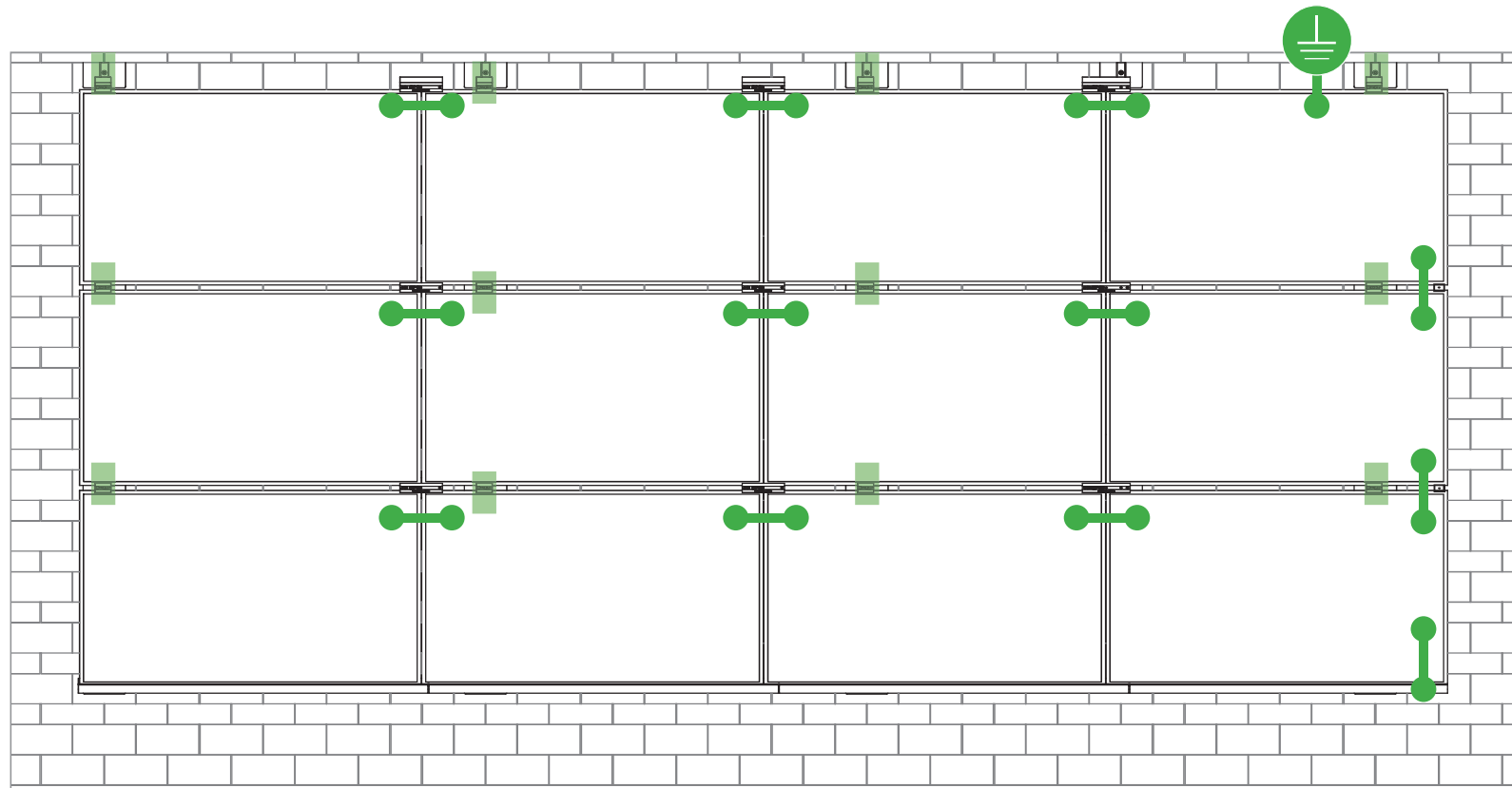
RAIL 20 Attachments

30% LOGISTICS SAVINGS

With fewer SKUs and compact components, **SFM INFINITY** is easier to stock, easier to transport, and easier to lift to the roof. Plus, make more efficient use of your vehicle fleet.



SFM INFINITY REVOLUTIONIZES ROOFTOP SOLAR WITH BENEFITS ACROSS YOUR BUSINESS, FROM DESIGN AND LOGISTICS, THROUGH ARRAY INSTALLATION AND SERVICE.



Star Washer is Single Use Only



TERMINAL TORQUE,
Install Conductor and torque to the following:
4-6 AWG: 35in-lbs
8 AWG: 25 in-lbs
10-14 AWG: 20 in-lbs

LUG DETAIL & TORQUE INFO
IlSCO Lay-In Lug (GBL-4DBT)

- 10-32 mounting hardware
- Torque = 5 ft-lb
- AWG 4-14 - Solid or Stranded

TERMINAL TORQUE,
Install Conductor and torque to the following:
4-14 AWG: 35in-lbs



LUG DETAIL & TORQUE INFO
IlSCO Flange Lug (SGB-4)

- 1/4" mounting hardware
- Torque = 75 in-lb
- AWG 4-14 - Solid or Stranded

WEEBLUG Single Use Only



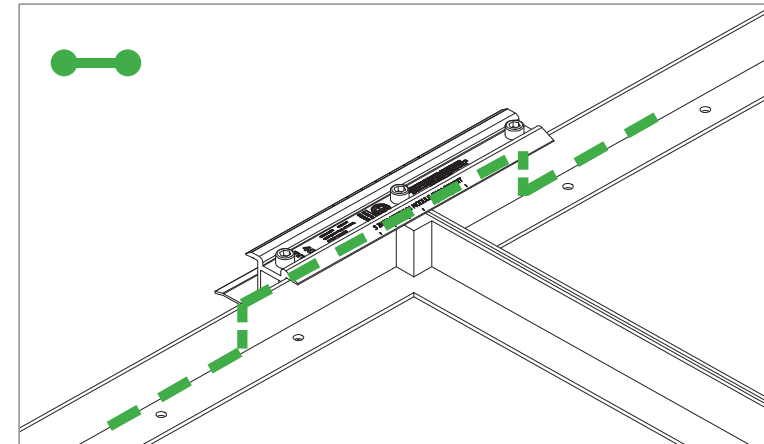
TERMINAL TORQUE,
Install Conductor and torque to the following:
6-14 AWG: 7ft-lbs

LUG DETAIL & TORQUE INFO
Wiley WEEBLug (6.7)

- 1/4" mounting hardware
- Torque = 10 ft-lb
- AWG 6-14 - Solid or Stranded

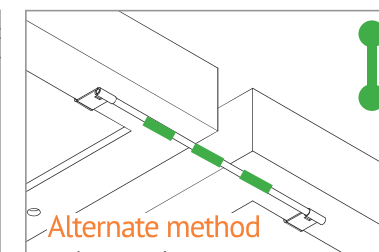
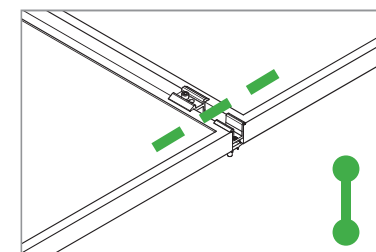
NOTE: ISOLATE COPPER FROM ALUMINUM CONTACT TO PREVENT CORROSION

System bonding is accomplished through modules. System grounding accomplished by attaching a ground lug to any module at a location on the module specified by the module manufacturer.



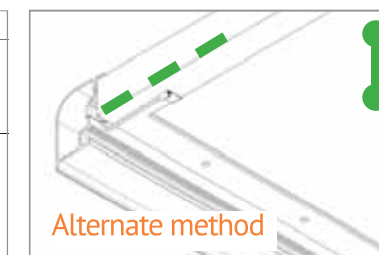
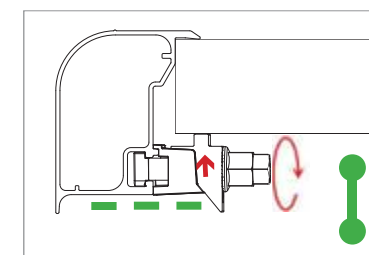
E-W BONDING PATH:

E-W module to module bonding is accomplished with 2 pre-installed bonding pins which engage on the secure side of the Microrail™ and splice.



N-S BONDING PATH:

N-S module to module bonding is accomplished with bonding clamp with 2 integral bonding pins. (refer also to alternate method)



TRIMRAIL BONDING PATH:

Trimrail to module bonding is accomplished with bonding clamp with integral bonding pin and bonding T-bolt. (refer also to alternate method)

SYSTEM LEVEL FIRE CLASSIFICATION

The system fire class rating requires installation in the manner specified in the SUNFRAME MICRORAIL (SFM) Installation Guide. SFM has been classified to the system level fire portion of UL 1703. This UL 1703 classification has been incorporated into the UL 2703 product certification. SFM has achieved Class A, B & C system level performance for low slope & steep sloped roofs when used in conjunction with type 1 and type 2 modules. Class A, B & C system level fire

performance is inherent in the SFM design, and no additional mitigation measures are required. The fire classification rating is valid for any roof pitch. There is no required minimum or maximum height limitation above the roof deck to maintain the Class A, B & C fire rating for SFM. SUNFRAME MICRORAIL™ components shall be mounted over a fire resistant roof covering rated for the application.

Module Type	Roof Slope	System Level Fire Rating	Microrail Direction	Module Orientation	Mitigation Required
Type 1 and Type 2	Steep Slope & Low Slope	Class A, B & C	East-West	Landscape OR Portrait	None Required

UL2703 TEST MODULES

See pages 22 and 23 for a list of modules that were electrically and mechanically tested or qualified with the SUNFRAME MICRORAIL (SFM) components outlined within this Installation Guide.

- Maximum Area of Module = 27.76 sqft
- UL2703 Design Load Ratings:
 - a) Downward Pressure – 113 PSF / 5400 Pa
 - b) Upward Pressure – 50 PSF / 2400 Pa
 - c) Down-Slope Load – 21.6 PSF / 1034 Pa
- Tested Loads:
 - a) Downward Pressure – 170 PSF / 8000 Pa
 - b) Upward Pressure – 75 PSF / 3500 Pa
 - c) Down-Slope Load – 32.4 PSF / 1550 Pa
- Maximum Span = 6ft
- Use with a maximum over current protection device OCPD of 30A
- System conforms to UL Std 2703, certified to LTR AE-001-2012
- Rated for a design load of 2400 Pa / 5400 Pa with 24 inch span
- PV modules may have a reduced load rating, independent of the SFM load rating. Please consult the PV module manufacturer's installation guide for more information
- Down-Slope design load rating of 30 PSF/ 1400 Pa for module areas of 22.3 sq ft or less

Manufacture	Module Model / Series
Aleo	P-Series
Aptos	DNA-120-(BF/MF)26 DNA-144-(BF/MF)26
Astronergy	CHSM6612P, CHSM6612P/HV, CHSM6612M, CHSM6612M/HV, CHSM6610M (BL)(BF)/(HF), CHSM72M-HC
Auxin	AXN6M610T, AXN6P610T, AXN6M612T & AXN6P612T
Axitec	AXIblackpremium 60 (35mm), AXIpower 60 (35mm), AXIpower 72 (40mm), AXIpremium 60 (35mm), AXIpremium 72 (40mm).
Boviet	BVM6610, BVM6612
BYD	P6K & MHK-36 Series
Canadian Solar	CS1(H/K/U/Y)-MS CS3(K/L/U), CS3K-MB-AG, CS3K-(MS/P) CS3N-MS, CS3U-MB-AG, CS3U-(MS/P), CS3W CS5A-M, CS6(K/U), CS6K-(M/P), CS6K-MS CS6P-(M/P), CS6U-(M/P), CS6V-M, CS6X-P
Centrosolar America	C-Series & E-Series
CertainTeed	CT2xxMxx-01, CT2xxPxx-01, CTxxxMxx-02, CTxxxM-03, CTxxxMxx-04, CTxxxHC11-04
Dehui	DH-60M

Manufacture	Module Model / Series
Eco Solargy	Orion 1000 & Apollo 1000
ET Solar	ET-M672BHxxTW
Freedom Forever	FF-MP-BBB-370
FreeVolt	Mono PERC
GCL	GCL-P6 & GCL-M6 Series
Hansol	TD-AN3, TD-AN4, UB-AN1, UD-AN1
Heliene	36M, 60M, 60P, 72M & 72P Series, 144HC M6 Monofacial/ Bifacial Series, 144HC M10 SL Bifacial
HT Solar	HT60-156(M) (NDV) (-F), HT 72-156(M/P)
Hyundai	KG, MG, TG, RI, RG, TI, MI, HI & KI Series HiA-SxxxHG
ITEK	iT, iT-HE & iT-SE Series
Japan Solar	JPS-60 & JPS-72 Series
JA Solar	JAP6 60-xxx, JAM6-60-xxx/SI, JAM6(K)-60/ xxx, JAP6(k)-72-xxx/4BB, JAP72SYY-xxx/ZZ, JAP6(k)-60-xxx/4BB, JAP60SYY-xxx/ZZ, JAM6(k)-72-xxx/ZZ, JAM72SYY-xxx/ZZ, JAM6(k)-60-xxx/ZZ, JAM60SYY-xxx/ZZ. i. YY: 01, 02, 03, 09, 10 ii. ZZ: SC, PR, BP, HiT, IB, MW, MR
Jinko	JKM & JKMS Series Eagle JKMxxxM JKMxxxM-72HL-V
Kyocera	KU Series

Manufacture	Module Model / Series
LG Electronics	LGxxxN2T-A4 LGxxx(A1C/E1C/E1K/N1C/N1K/N2T/N2W/ Q1C/Q1K/S1C/S2W)-A5 LGxxxN2T-B5 LGxxxN1K-B6 LGxxx(A1C/M1C/M1K/N1C/N1K/Q1C/Q1K/ QAC/QAK)-A6 LGxxx(N1C/N1K/N2T/N2W)-E6 LGxxx(N1C/N1K/N2W/S1C/S2W)-G4 LGxxxN2T-J5 LGxxx(N1K/N1W/N2T/N2W)-L5 LGxxx(N1C/Q1C/Q1K)-N5 LGxxx (N1C/N1K/N2W/Q1C/Q1K)-V5
LONGi	LR4-60(HIB/HiH/HPB/HPH)-xxxM LR4-72(HiH/HPH)-xxxM LR6-60(BP/HBD/HIBD)-xxxM (30mm) LR6-60(BK)(PE)(HPB)(HPH)-xxxM (35mm) LR6-60(BK)(PE)(PB)(PH)-xxxM (40mm) LR6-72(BP)(HBD)(HIBD)-xxxM (30mm) LR6-72(HV)(BK)(PE)(PH)(PB)(HPH)-xxxM (35mm) LR6-72(BK)(HV)(PE)(PB)(PH)-xxxM (40mm)
Mission Solar Energy	MSE Series
Mitsubishi	MJE & MLE Series
Neo Solar Power Co.	D6M & D6P Series

- Unless otherwise noted, all modules listed above include all wattages and specific models within that series. Variable wattages are represented as "xxx"
- Items in parenthesis are those that may or may not be present in a compatible module's model ID
- Slashes "/" between one or more items indicates that either of those items may be the one that is present in a module's model ID
- Please see the SFM UL2703 Construction Data Report at Unirac.com to ensure the exact solar module selected is approved for use with SFM
- SFM Infinity is not compatible with module frame height of less than 30mm and more than 40mm. See Module Mounting section, page 12 for further information

Manufacture	Module Model / Series
Panasonic	EVPVxxx (H/K/PK), VBHNxxxSA15 & SA16, VBHNxxxSA17 & SA18, VBHNxxxSA17(E/G) & SA18E, VBHNxxxKA01 & KA03 & KA04, VBHNxxxZA01, VBHNxxxZA02, VBHNxxxZA03, VBHNxxxZA04
Peimar	SGxxxM (FB/BF)
Phono Solar	PS-60, PS-72
Prism Solar	P72 Series
Q.Cells	Plus, Pro, Peak, G3, G4, G5, G6(+), G7, G8(+) Pro, Peak L-G2, L-G4, L-G5, L-G6, L-G7 Q.PEAK DUO BLK-G6+ Q.PEAK DUO BLK-G6+/TS Q.PEAK DUO (BLK)-G8(+) Q.PEAK DUO L-G8.3/BFF Q.PEAK DUO (BLK) ML-G9(+) Q.PEAK DUO XL-G9/G9.2/G9.3 Q.PEAK DUO (BLK) ML-G10(+) Q.PEAK DUO XL-G(10/10.2/10.3/10.c/10.d) Q.PEAK DUO BLK ML-G10+ / t
REC Solar	Alpha (72) (Black) (Pure) RECxxxAA PURE-R RECxxxNP3 Black N-Peak (Black) N-Peak 2 (Black) PEAK Energy Series PEAK Energy BLK2 Series PEAK Energy 72 Series

Manufacture	Module Model / Series
REC Solar (cont.)	TwinPeak Series TwinPeak 2 Series TwinPeak 2 BLK2 Series TwinPeak 2S(M)72(XV) TwinPeak 3 Series (38mm) TP4 (Black)
Renesola	Vitrus2 Series & 156 Series
Risen	RSM72-6 (MDG) (M), RSM60-6
SEG Solar	SEG-xxx-BMD-HV SEG-xxx-BMD-TB
S-Energy	SN72 & SN60 Series (40mm)
Seraphim	SEG-6 & SRP-6 Series
Sharp	NU-SA & NU-SC Series
Silfab	SLA, SLG, BC Series & SILxxx(BL/NL/NT/HL/ML/BK/NX/NU/HC)
Solarever USA	SE-166*83-xxxM-120N
Solaria	PowerXT-xxxR-(AC/PD/BD) PowerXT-xxxC-PD PowerXT-xxxR-PM (AC)
SolarWorld	Sunmodule Protect, Sunmodule Plus
Sonali	SS-M-360 to 390 Series, SS-M-390 to 400 Series, SS-M-440 to 460 Series, SS-M-430 to 460 BiFacial Series, SS 230 - 265
SunEdison	F-Series, R-Series & FLEX FXS Series

Manufacture	Module Model / Series
Suniva	MV Series & Optimus Series
SunPower	A-Series A400-BLK, SPR-MAX3-XXX-R, X-Series, E-Series & P-Series
Suntech	STP, STPXXXS - B60/Wnhb
Talesun	TP572, TP596, TP654, TP660, TP672, Hipor M, Smart
Tesla	SC, SC B, SC B1, SC B2 TxxxH, TxxxS
Trina	PA05, PD05, DD05, DE06, DD06, PE06, PD14, PE14, DD14, DE09.05, DE14, DE15, PE15H
Upsolar	UP-MxxxP(-B), UP-MxxxM(-B)
United Renewable Energy (URE)	D7MxxxH7A, D7(M/K)xxxH8A FAKxxx(C8G/E8G), FAMxxxE7G-BB FAMxxxE8G(-BB) FBMxxxMFG-BB
Vikram	Eldora, Solivo, Somera
Waaree	AC & Adiya Series
Winaico	WST & WSP Series
Yingli	YGE & YLM Series
ZN Shine	ZXM6-72, ZXM6-NH144-166_2094

- Unless otherwise noted, all modules listed above include all wattages and specific models within that series. Variable wattages are represented as "xxx"
- Items in parenthesis are those that may or may not be present in a compatible module's model ID
- Slashes "/" between one or more items indicates that either of those items may be the one that is present in a module's model ID
- Please see the SFM UL2703 Construction Data Report at Unirac.com to ensure the exact solar module selected is approved for use with SFM
- SFM Infinity is not compatible with module frame height of less than 30mm and more than 40mm. See Module Mounting section, page 12 for further information

AUTHORIZATION TO MARK

This authorizes the application of the Certification Mark(s) shown below to the models described in the Product(s) Covered section when made in accordance with the conditions set forth in the Certification Agreement and Listing Report. This authorization also applies to multiple listee model(s) identified on the correlation page of the Listing Report.

This document is the property of Intertek Testing Services and is not transferable. The certification mark(s) may be applied only at the location of the Party Authorized To Apply Mark.

Applicant: Unirac, Inc
Address: 1411 Broadway Blvd NE
Albuquerque, NM 87102
Country: USA
Party Authorized To Apply Mark: Same as Manufacturer
Report Issuing Office: Intertek Testing Services NA, Inc., Lake Forest, CA
Control Number: 5003705 **Authorized by:** *Kennan Leary*
for L. Matthew Snyder, Certification Manager



This document supersedes all previous Authorizations to Mark for the noted Report Number.

This Authorization to Mark is for the exclusive use of Intertek's Client and is provided pursuant to the Certification agreement between Intertek and its Client. Intertek's responsibility and liability are limited to the terms and conditions of the agreement. Intertek assumes no liability to any party, other than to the Client in accordance with the agreement, for any loss, expense or damage occasioned by the use of this Authorization to Mark. Only the Client is authorized to permit copying or distribution of this Authorization to Mark and then only in its entirety. Use of Intertek's Certification mark is restricted to the conditions laid out in the agreement and in this Authorization to Mark. Any further use of the Intertek name for the sale or advertisement of the tested material, product or service must first be approved in writing by Intertek. Initial Factory Assessments and Follow up Services are for the purpose of assuring appropriate usage of the Certification mark in accordance with the agreement, they are not for the purposes of production quality control and do not relieve the Client of their obligations in this respect.

Intertek Testing Services NA Inc.
545 East Algonquin Road, Arlington Heights, IL 60005
Telephone 800-345-3851 or 847-439-5667 Fax 312-283-1672

Standard(s):	Mounting Systems, Mounting Devices, Clamping/Retention Devices, and Ground Lugs for Use with Flat-Plate Photovoltaic Modules and Panels [UL 2703:2015 Ed.1+R:24Mar2021] PV Module and Panel Racking Mounting System and Accessories [CSA TIL No. A-40:2020]
Product:	Photovoltaic Mounting System, Sun Frame Microrail Installation Guide, PUB2023MAY10
Brand Name:	Unirac
Models:	Unirac SFM

AUTHORIZATION TO MARK

This authorizes the application of the Certification Mark(s) shown below to the models described in the Product(s) Covered section when made in accordance with the conditions set forth in the Certification Agreement and Listing Report. This authorization also applies to multiple listee model(s) identified on the correlation page of the Listing Report.

This document is the property of Intertek Testing Services and is not transferable. The certification mark(s) may be applied only at the location of the Party Authorized To Apply Mark.

Applicant: Unirac, Inc
Address: 1411 Broadway Blvd NE
Albuquerque, NM 87102
Country: USA
Party Authorized To Apply Mark: Same as Manufacturer
Report Issuing Office: Intertek Testing Services NA, Inc., Lake Forest, CA
Control Number: 5014989 **Authorized by:** *Kennan Leary*
for L. Matthew Snyder, Certification Manager



This document supersedes all previous Authorizations to Mark for the noted Report Number.

This Authorization to Mark is for the exclusive use of Intertek's Client and is provided pursuant to the Certification agreement between Intertek and its Client. Intertek's responsibility and liability are limited to the terms and conditions of the agreement. Intertek assumes no liability to any party, other than to the Client in accordance with the agreement, for any loss, expense or damage occasioned by the use of this Authorization to Mark. Only the Client is authorized to permit copying or distribution of this Authorization to Mark and then only in its entirety. Use of Intertek's Certification mark is restricted to the conditions laid out in the agreement and in this Authorization to Mark. Any further use of the Intertek name for the sale or advertisement of the tested material, product or service must first be approved in writing by Intertek. Initial Factory Assessments and Follow up Services are for the purpose of assuring appropriate usage of the Certification mark in accordance with the agreement, they are not for the purposes of production quality control and do not relieve the Client of their obligations in this respect.

Intertek Testing Services NA Inc.
545 East Algonquin Road, Arlington Heights, IL 60005
Telephone 800-345-3851 or 847-439-5667 Fax 312-283-1672

Standard(s):	Mounting Systems, Mounting Devices, Clamping/Retention Devices, and Ground Lugs for Use with Flat-Plate Photovoltaic Modules and Panels [UL 2703:2015 Ed.1+R:24Mar2021] PV Module and Panel Racking Mounting System and Accessories [CSA TIL No. A-40:2020]
Product:	Photovoltaic Mounting System, Sun Frame Microrail Installation Guide, PUB2023MAY10
Brand Name:	Unirac
Models:	Unirac SFM

1.0 Reference and Address		
Report Number	102393982LAX-002	Original 11-Apr-2016 Revised: 5-Oct-2022
Standard(s)	Mounting Systems, Mounting Devices, Clamping/Retention Devices, and Ground Lugs for Use with Flat-Plate Photovoltaic Modules and Panels [UL 2703:2015 Ed.1+R:24Mar2021] PV Module and Panel Racking Mounting System and Accessories [CSA TIL No. A-40:2020]	
Applicant	Unirac, Inc	Manufacturer 2
Address	1411 Broadway Blvd NE Albuquerque, NM 87102	Address
Country	USA	Country
Contact	Klaus Nicolaedis Todd Ganshaw	Contact
Phone	505-462-2190 505-843-1418	Phone
FAX	NA	FAX
Email	klaus.nicolaedis@unirac.com toddg@unirac.com	Email
Manufacturer 3		Manufacturer 4
Address		Address
Country		Country
Contact		Contact
Phone		Phone
FAX		FAX
Email		Email
Manufacturer 5		
Address		
Country		
Contact		
Phone		
FAX		

1.0 Reference and Address		
Report Number	102393982LAX-002	Original 11-Apr-2016 Revised: 5-Oct-2022
Email		

2.0 Product Description	
Product	Photovoltaic Mounting System, Sun Frame Microrail Installation Guide, PUB2022SEP28
Brand name	Unirac
Description	<p>The product covered by this report is the Sun Frame Micro Rail roof mounted Photovoltaic Rack Mounting System. This system is designed to provide bonding and grounding to photovoltaic modules. The mounting system employs anodized or mill finish aluminum brackets that are roof mounted using the slider, outlined in section 4 of this report. There are no rails within this product, whereas the 3" Micro Rail, Floating Splice, and 9" Attached Splice electrically bond the modules together forming the path to ground.</p> <p>The Micro Rails are installed onto the module frame by using a stainless steel bolt anodized with black oxide with a stainless type 300 bonding pin, torqued to 20 ft-lbs, retaining the modules to the bracket. The bonding pin of the Micro Rail when bolted and torqued, penetrate the anodized coating of the photovoltaic module frame (at bottom flange) to contact the metal, creating a bonded connection from module to module.</p> <p>The grounding of the entire system is intended to be in accordance with the latest edition of the National Electrical Code, including NEC 250: Grounding and Bonding, and NEC 690: Solar Photovoltaic Systems or the Canadian Electrical Code, CSA C22.1 Part 1 in accordance to the revision in effect in the jurisdiction in which the project resides. Any local electrical codes must be adhered in addition to the national electrical codes. The Grounding Lug is secured to the photovoltaic module, torqued in accordance with the installation manual provided in this document.</p> <p>Other optional grounding includes the use of the Enphase UL2703 certified grounding system, which requires a minimum of 2 micro-inverters mounted to the same rail, and using the same engage cable.</p>

2.0 Product Description	
Models	Unirac SFM
Model Similarity	NA
Ratings	<p>Fuse Rating: 30A</p> <p>Module Orientation: Portrait or Landscape Maximum Module Size: 17.98 ft² UL2703 Design Load Rating: 33 PSF Downward, 33 PSF Upward, 10 PSF Down-Slope Tested Loads - 50 psf/2400Pa Downward, 50psf/2400Pa Uplift, 15psf/720Pa Down Slope Trina TSM-255PD05.08 and Sunpower SPR-E20-327 used for Mechanical Loading</p> <p>Increased size ML test: Maximum Module Size: 22.3 ft² UL2703 Design Load Rating: 113 PSF Downward, 50 PSF Upward, 30 PSF Down-Slope LG355S2W-A5 used for Mechanical Loading test. Mounting configuration: Four mountings on each long side of panel with the longest span of 24" UL2703 Design Load Rating: 46.9 PSF Downward, 40 PSF Upward, 10 PSF Down-Slope LG395N2W-A5, LG360S2W-A5 and LG355S2W-A5 used for used for Mechanical Loading test. Mounting configuration: Six mountings for two modules used with the maximum span of 74.5" IEC 61646 Test Loads - 112.78 psf/5400Pa Downward, 50psf/2400Pa Uplift</p> <p>Mechanical Load test to add FlashLoc Slider and Trim Assemblies to UL2703 and IEC 61646 Certifications, & Increase SFM System UL2703 Module Size: Maximum Module Size: 27.76 ft² UL2703 Design Load Rating: 113 PSF Downward, 50 PSF Upward, 21.6 PSF Down-Slope Jinko Eagle 72HM G5 used for Mechanical Loading test. Mounting configuration: Four mountings on each long side of panel with the longest span of 24" Maximum module size: 21.86 ft² IEC 61646 Test Loads - 112.78 psf/5400Pa Downward, 75psf/3600Pa Uplift SunPower model SPR-A430-COM-MLSD used for Mechanical Loading</p> <p>Fire Class Resistance Rating: - Class A for Steep Slope Applications when using Type 1 Modules. Can be installed at any interstitial gap. Installations must include Trim Rail. - Class A for Steep Slope Applications when using Type 2 Modules. Can be installed at any interstitial gap. Installations must include Trim Rail. - Class A Fire Rated for Low Slope applications with Type 1 or 2 listed photovoltaic modules. This system was evaluated with a 5" gap between the bottom of the module and the roof's surface</p> <p>See section 7.0 illustrations # 1, 1a and 1b for a complete list of PV modules evaluated with these racking systems</p>
Other Ratings	NA