

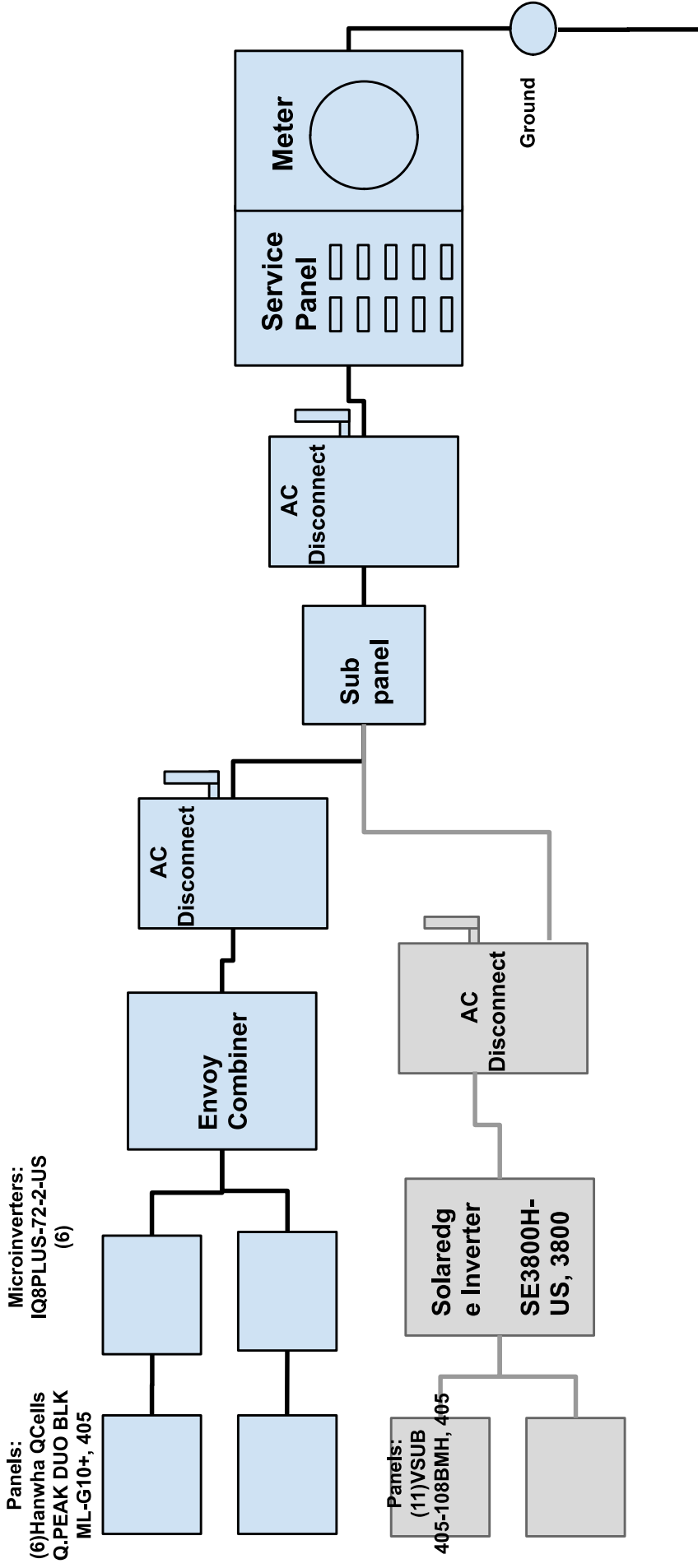
# SINGLE LINE DIAGRAM: NET METERING

**EXISTING SYSTEM:**

- (11) VSUN 405-108BMH, 405
- (1) Solaredge inverter SE3800H-US, 3800
- (1) 60A fusible AC Disconnect

**NEW SYSTEM:**

- (6) Hanwha QCells Q.PEAK DUO BLK ML-G10+ 405
- (6) IQ8PLUS-72-2-US Micro Inverters, 290w
- (1) 60A fusible AC Disconnect



<p><b><u>Interconnection Customer:</u></b>          Marie McNair          105 Wrench St          Erwin, NC 28339</p>	<p><b><u>Installer:</u></b>          Poly Energy          174 Corley Mill Rd          Lexington, SC 29072</p>
--	---