



Freedom Forever
Planset Revision Letter

2/14/2024
REV #1

Attn. County of Harnett (NC):

The changes outlined in Revision Details have been applied to the plans corresponding to the following customer:

CATHERINE MEYER
332 DOCS ROAD , LILLINGTON, NC 27546

Revision Details:

1. Layout updated

All corresponding changes are notated on the plans by revision clouds.

Thank you for your time in reviewing these plans. Please reach out if you have any additional questions or concerns.

Construction Engineering

Freedom Forever

engineering@freedomforever.com

ROOF MOUNT PHOTOVOLTAIC SYSTEM



STRUCTURAL ONLY

CODES:

THIS PROJECT COMPLIES WITH THE FOLLOWING:
 2018 NORTH CAROLINA BUILDING CODE
 2018 NORTH CAROLINA RESIDENTIAL CODE
 2018 NORTH CAROLINA PLUMBING CODE
 2018 NORTH CAROLINA MECHANICAL CODE
 2018 NORTH CAROLINA FUEL GAS CODE
 2017 NATIONAL ELECTRICAL CODE
 AS ADOPTED BY COUNTY OF HARNETT

CONSTRUCTION NOTES:

CONDUIT AND CONDUCTOR SPECIFICATIONS ARE BASED ON MINIMUM CODE REQUIREMENTS AND ARE NOT MEANT TO LIMIT UP-SIZING AS REQUIRED BY FIELD CONDITIONS.

ALL SOLAR ENERGY SYSTEM EQUIPMENT SHALL BE SCREENED TO THE MAXIMUM EXTENT POSSIBLE AND SHALL BE PAINTED A COLOR SIMILAR TO THE SURFACE UPON WHICH THEY ARE MOUNTED.

MODULES SHALL BE TESTED, LISTED AND IDENTIFIED WITH FIRE CLASSIFICATION IN ACCORDANCE WITH UL 2703. SMOKE AND CARBON MONOXIDE ALARMS ARE REQUIRED PER SECTION R314 AND 315 TO BE VERIFIED AND INSPECTED BY INSPECTOR IN THE FIELD.

DIG ALERT (811) TO BE CONTACTED AND COMPLIANCE WITH EXCAVATION SAFETY PRIOR TO ANY EXCAVATION TAKING PLACE

PHOTOVOLTAIC SYSTEM GROUND WILL BE TIED INTO EXISTING GROUND AT MAIN SERVICE FROM DC DISCONNECT/INVERTER AS PER 2017 NEC SEC 250.166(A).

SOLAR PHOTOVOLTAIC SYSTEM EQUIPMENT WILL BE INSTALLED IN ACCORDANCE WITH REQUIREMENTS OF ART. 690 OF THE 2017 NEC

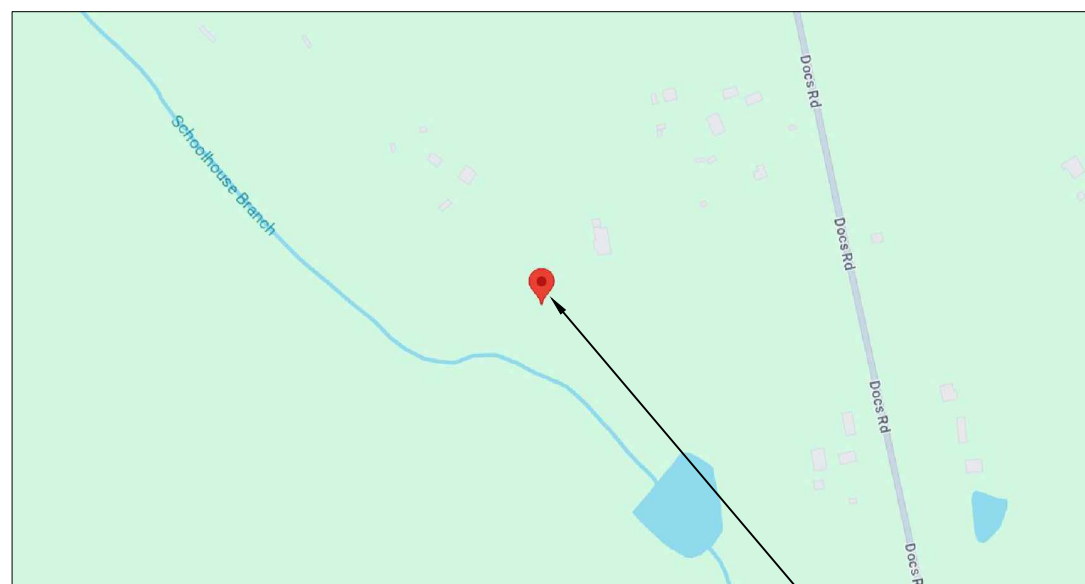
THE MAIN SERVICE PANEL WILL BE EQUIPPED WITH A GROUND ROD OR UFER

UTILITY COMPANY WILL BE NOTIFIED PRIOR TO ACTIVATION OF THE SOLAR PV SYSTEM

SOLAREEDGE OPTIMIZERS ARE LISTED TO IEC 62109-1 (CLASS II SAFETY) AND UL 1741 STANDARDS

INSTALL CREW TO VERIFY ROOF STRUCTURE PRIOR TO COMMENCING WORK. EMT CONDUIT ATTACHED TO THE ROOF USING CONDUIT MOUNT.

VICINITY MAP:



SITE LOCATION

TABLE OF CONTENTS:

PV-1	SITE LOCATION
PV-2	SITE PLAN
PV-2A	ROOF PLAN WITH MODULES LAYOUT
PV-2B	ARRAY AND STRUCTURAL TABLES
PV-3	MOUNTING DETAILS
PV-4	THREE LINE DIAGRAM
PV-5	CONDUCTOR CALCULATIONS
PV-6	EQUIPMENT & SERVICE LIST
PV-7	LABELS
PV-7A	SITE PLACARD
PV-8	OPTIMIZER CHART
PV-9	SAFETY PLAN
PV-10	SAFETY PLAN
APPENDIX	MANUFACTURER SPECIFICATION SHEETS

CLIENT:
 CATHERINE MEYER
 332 DOCS ROAD, LILLINGTON, NC 27546
 AHJ: COUNTY OF HARNETT
 UTILITY: DUKE ENERGY
 METER: 325 518 470
 APN: 030507 0040 02
 PHONE: (704) 607-2382
 EMAIL: MEYERC@LABCORP.COM

SYSTEM:
 SYSTEM SIZE (DC): 24 X 405 = 9.720 kW
 SYSTEM SIZE (AC): 7.600 kW @ 240V
 MODULES: 24 X REC SOLAR: REC405AA PURE
 OPTIMIZERS: 24 X SOLAREEDGE S440
 INVERTER: SOLAREEDGE SE7600H-USRGM [S1]

REVISIONS		
NO.	REVISED BY	DATE
1	M.F.	2/14/2024
-	-	-
-	-	-



FREEDOM FOREVER LLC
 415 INDUSTRIAL CT., GREER, SC 29651
 Tel: (800) 385-1075

CONTRACTOR LICENSE:
 ELECTRICAL CONTRACTOR U.34043

JOB NO: 397270	DATE: 2/20/2024	DESIGNED BY: M.F.	SHEET: PV-1
-------------------	--------------------	----------------------	----------------

LEGEND:

- OBSTRUCTION
- PIPE VENT
- 24 REC SOLAR: REC405AA PURE
- CONDUIT
- SETBACK
- UM UTILITY METER
- MSP MSP
- INV INVERTER
- AC VISIBLE LOCKABLE LABELED AC DISCONNECT
- JB JUNCTION BOX

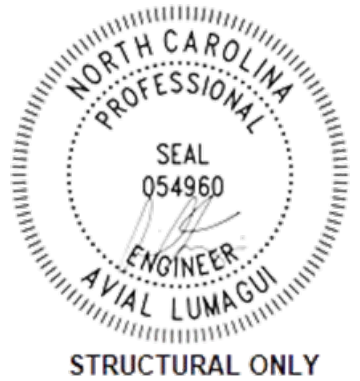
PV SYSTEM
9.720 kW-DC
7.600 kW-AC

THIS SYSTEM DESIGNED WITH:
 WIND SPEED: 130
 WIND EXPOSURE: B
 SNOW LOAD: 15

(E) UTILITY METER
 (N) SOLAREEDGE SE7600H-USRGM [S11]
 INVERTER WITH RAPID SHUTDOWN
 (N) AUTO TRANSFER SWITCH
 (N) UTILITY DISCONNECT EATON DG222NRB
 (OR EQUIVALENT)

(N) JUNCTION BOX
 ROOF LINE

(E) MAIN SERVICE PANEL



ROOF AREA: 4837.6 SQ FT

CLIENT:
 CATHERINE MEYER
 332 DOCS ROAD, LILLINGTON, NC 27546
 AHJ: COUNTY OF HARNETT
 UTILITY: DUKE ENERGY
 METER: 325 518 470
 APN: 030507 0040 02
 PHONE: (704) 607-2382
 EMAIL: MEYERC@LABCORP.COM

SYSTEM:
 SYSTEM SIZE (DC): 24 X 405 = 9.720 kW
 SYSTEM SIZE (AC): 7.600 kW @ 240V
 MODULES: 24 X REC SOLAR: REC405AA PURE
 OPTIMIZERS: 24 X SOLAREEDGE S440
 INVERTER: SOLAREEDGE SE7600H-USRGM [S11]

REVISIONS		
NO.	REVISED BY	DATE
1	M.F.	2/14/2024
-	-	-
-	-	-

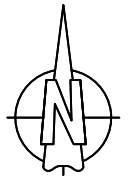


FREEDOM FOREVER LLC
 415 INDUSTRIAL CT., GREER, SC 29651
 Tel: (800) 385-1075
GREG ALBRIGHT

Greg Albright

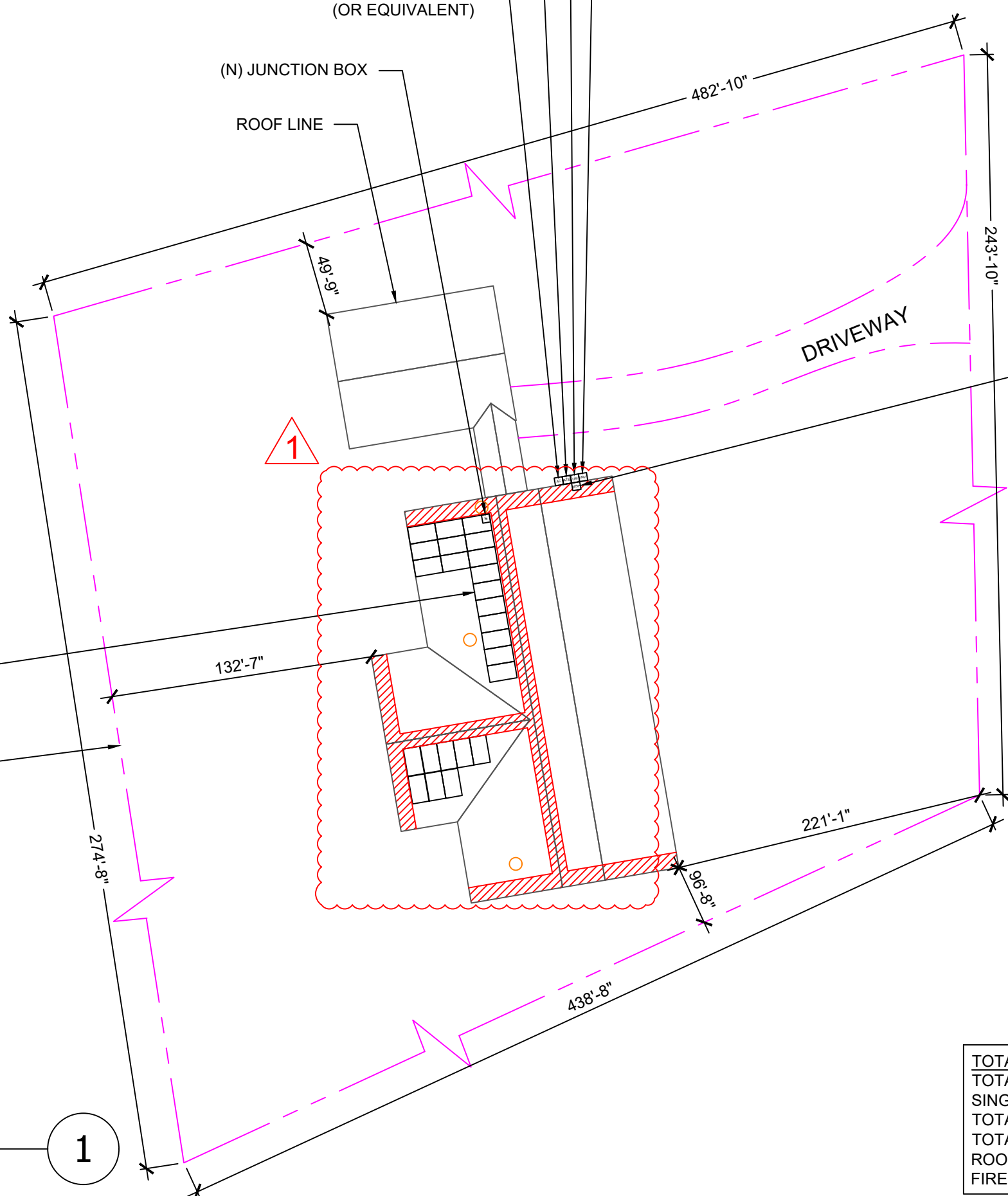
CONTRACTOR LICENSE:
 ELECTRICAL CONTRACTOR U.34043

TOTAL ROOF AREA RIDGE SETBACK CALCS:
 TOTAL ROOF AREA: 4837.6 SQ FT
 SINGLE MODULE AREA: 19.9148639 SQ FT
 TOTAL NUMBER OF MODULES: 24
 TOTAL AREA OF MODULES: 477.96 SQ FT
 ROOF COVERAGE: 9.88%
 FIRE SPRINKLERS : NO






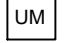
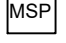


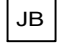


SITE PLAN
SCALE: 1/24" = 1'-0"

1



LEGEND:

-  OBSTRUCTION
-  PIPE VENT
-  24 REC SOLAR: REC405AA PURE
-  CONDUIT
-  SETBACK
-  UTILITY METER
-  MSP
-  INVERTER
-  VISIBLE LOCKABLE LABELED AC DISCONNECT
-  JUNCTION BOX

PV SYSTEM
9.720 kW-DC
7.600 kW-AC

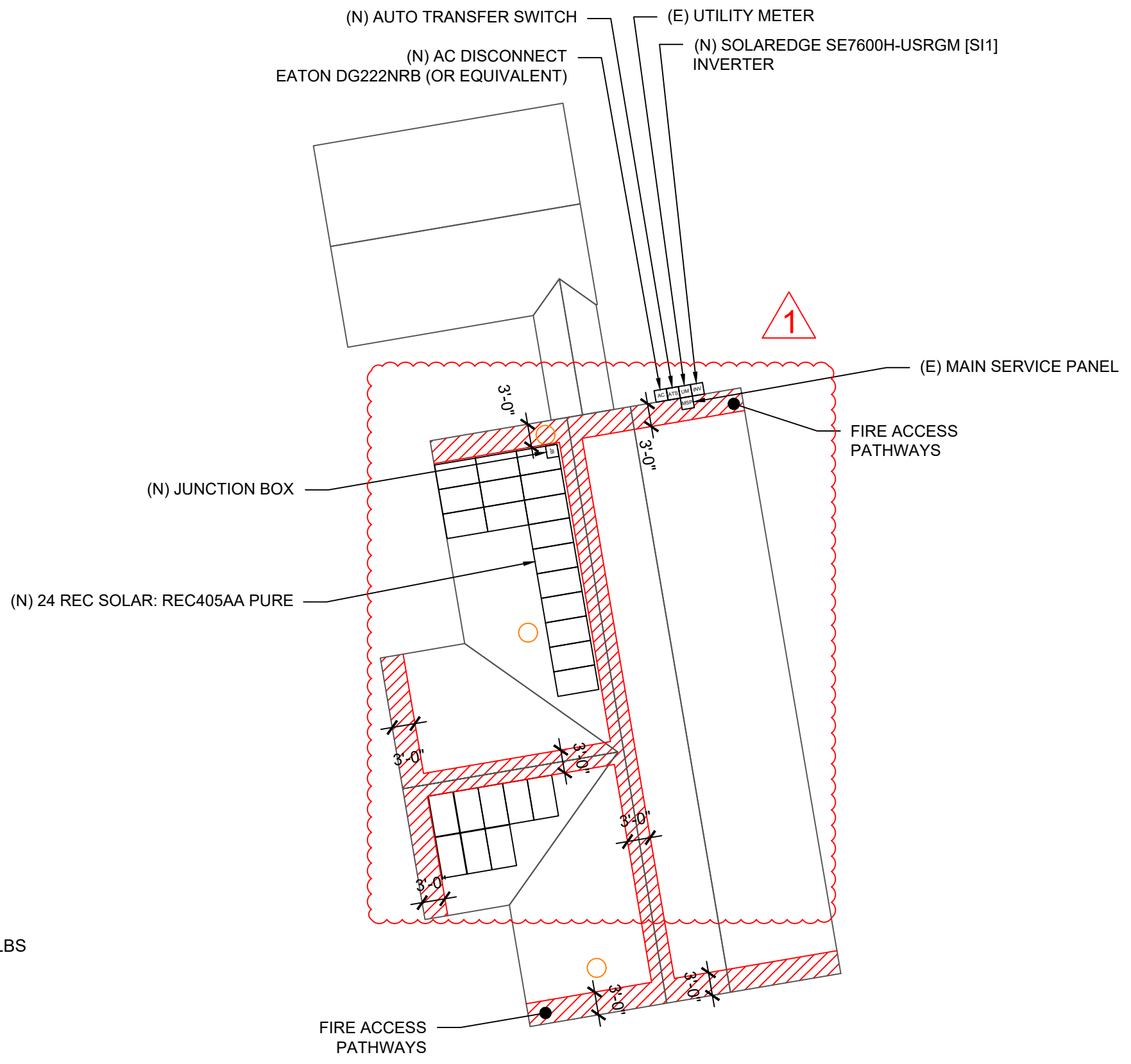
TOTAL ROOF AREA: 4837.6 SQ FT
 TOTAL ARRAY AREA: 477.96 SQ FT
 ARRAY COVERAGE: 9.88%
 SYSTEM DISTRIBUTED WEIGHT: 2.26 LBS
 S-5!: PROTEA POINT-LOAD: 9.65 LBS



ROOF PLAN
SCALE: 1/16" = 1'-0"

1

THIS SYSTEM DESIGNED WITH:
 WIND SPEED: 130
 WIND EXPOSURE: B
 SNOW LOAD: 15



- NOTES:**
1. EMT CONDUIT ATTACHED TO THE ROOF USING CONDUIT MOUNTS
 2. ATTACHED CLAMPS AT 25% FROM THE EDGE AND 50% FROM THE CENTER OF THE MODULES
 3. JUNCTION BOX IS MOUNTED TO THE RAIL.



ROOF AREA: 4837.6 SQ FT

CLIENT:
 CATHERINE MEYER
 332 DOCS ROAD, LILLINGTON, NC 27546
 AHJ: COUNTY OF HARNETT
 UTILITY: DUKE ENERGY
 METER: 325 518 470
 APN: 030507 0040 02
 PHONE: (704) 607-2382
 EMAIL: MEYERC@LABCORP.COM

SYSTEM:
 SYSTEM SIZE (DC): 24 X 405 = 9.720 kW
 SYSTEM SIZE (AC): 7.600 kW @ 240V
 MODULES: 24 X REC SOLAR: REC405AA PURE
 OPTIMIZERS: 24 X SOLAREEDGE S440
 INVERTER: SOLAREEDGE SE7600H-USRGM [S11]

REVISIONS		
NO.	REVISED BY	DATE
1	M.F.	2/14/2024
-	-	-
-	-	-



FREEDOM FOREVER LLC
 415 INDUSTRIAL CT., GREER, SC 29651
 Tel: (800) 385-1075
GREG ALBRIGHT

Greg Albright

CONTRACTOR LICENSE:
 ELECTRICAL CONTRACTOR U.34043

ROOF PLAN WITH MODULES LAYOUT			
JOB NO: 397270	DATE: 2/20/2024	DESIGNED BY: M.F.	SHEET: PV-2A

ROOF DETAILS:

TOTAL ROOF AREA: 4837.6 SQ FT
 TOTAL ARRAY AREA: 477.96 SQFT
 ARRAY COVERAGE: 9.88%
 SYSTEM DISTRIBUTED WEIGHT: 2.26 LBS
 S-5I: PROTEA POINT-LOAD: 9.65 LBS



STRUCTURAL ONLY

ROOF AREA STATEMENT

ROOF	MODULE QUANTITY	ROOF PITCH	ARRAY PITCH	AZIMUTH	ROOF AREA	ARRAY AREA
ROOF 1	16	22	22	260	1180 SQ FT	318.64 SQ FT
ROOF 2	8	22	22	170	366.72 SQ FT	159.32 SQ FT
----	----	----	----	----	SQ FT	SQ FT
----	----	----	----	----	SQ FT	SQ FT
----	----	----	----	----	SQ FT	SQ FT
----	----	----	----	----	SQ FT	SQ FT
----	----	----	----	----	SQ FT	SQ FT
----	----	----	----	----	SQ FT	SQ FT
----	----	----	----	----	SQ FT	SQ FT
----	----	----	----	----	SQ FT	SQ FT

CLIENT:
 CATHERINE MEYER
 332 DOCS ROAD, LILLINGTON, NC 27546
 AHJ: COUNTY OF HARNETT
 UTILITY: DUKE ENERGY
 METER: 325 518 470
 APN: 030507 0040 02
 PHONE: (704) 607-2382
 EMAIL: MEYERC@LABCORP.COM

SYSTEM:
 SYSTEM SIZE (DC): 24 X 405 = 9.720 kW
 SYSTEM SIZE (AC): 7.600 kW @ 240V
 MODULES: 24 X REC SOLAR: REC405AA PURE
 OPTIMIZERS: 24 X SOLAREEDGE S440
 INVERTER: SOLAREEDGE SE7600H-USRGM [S1]

REVISIONS		
NO.	REVISED BY	DATE
1	M.F.	2/14/2024
-	-	-
-	-	-



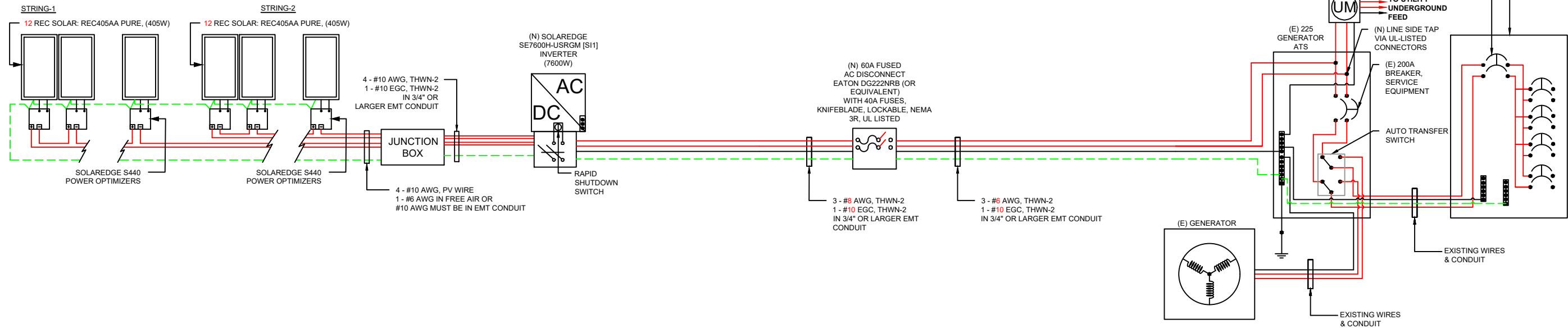
FREEDOM FOREVER LLC
 415 INDUSTRIAL CT., GREER, SC 29651
 Tel: (800) 385-1075
GREG ALBRIGHT

CONTRACTOR LICENSE:
 ELECTRICAL CONTRACTOR U.34043

ARRAY DETAILS			
JOB NO:	DATE:	DESIGNED BY:	SHEET:
397270	2/20/2024	M.F.	PV-2B

BACKFEED FUSE SIZING					
MAX. CONTINUOUS OUTPUT 32.00A @ 240V					
32.00	X	1.25	=	40AMPS	40A FUSES - OK

PV SYSTEM
9.720 kW-DC
7.600 kW-AC



CLIENT:
 CATHERINE MEYER
 332 DOCS ROAD, LILLINGTON, NC 27546
 AHJ: COUNTY OF HARNETT
 UTILITY: DUKE ENERGY
 METER: 325 518 470
 APN: 030507 0040 02
 PHONE: (704) 607-2382
 EMAIL: MEYERC@LABCORP.COM

SYSTEM:
 SYSTEM SIZE (DC): 24 X 405 = 9.720 kW
 SYSTEM SIZE (AC): 7.600 kW @ 240V
 MODULES: 24 X REC SOLAR: REC405AA PURE
 OPTIMIZERS: 24 X SOLAREEDGE S440
 INVERTER: SOLAREEDGE SE7600H-USRGM [S11]

REVISIONS		
NO.	REVISED BY	DATE
1	M.F.	2/14/2024
-	-	-
-	-	-



FREEDOM FOREVER LLC
 415 INDUSTRIAL CT., GREER, SC 29651
 Tel: (800) 385-1075

GREG ALBRIGHT

Greg Albright

CONTRACTOR LICENSE:
 ELECTRICAL CONTRACTOR U.34043

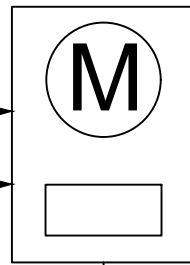
NOTE:
 CONDUIT AND CONDUCTORS SPECIFICATIONS ARE BASED ON MINIMUM CODE REQUIREMENTS AND ARE NOT MEANT TO LIMIT UP-SIZING AS REQUIRED BY FIELD CONDITIONS

THREE LINE DIAGRAM

JOB NO:	DATE:	DESIGNED BY:	SHEET:
397270	2/20/2024	M.F.	PV-4

WARNING:
POWER SOURCE OUTPUT
CONNECTION
DO NOT RELOCATE THIS
OVERCURRENT DEVICE.

705.12(B)(2)(3)(b)



"WARNING"
DUAL POWER SOURCES
SECOND SOURCE IS PHOTOVOLTAIC SYSTEM
RATED AC OUTPUT CURRENT - 32.00 AMPS
AC NORMAL OPERATING VOLTAGE - 240 VOLTS

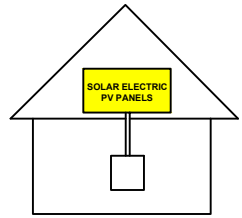
690.54

NOTES:

1. NEC ARTICLES 690 AND 705 AND IRC SECTION R324 MARKINGS SHOWN HEREON.
2. ALL MARKING SHALL CONSIST OF THE FOLLOWING:
 - A. UV RESISTANT SIGN MATERIAL WITH ENGRAVED OR MACHINE PRINTED LETTERS OR ELECTRO-PLATING.
 - B. RED BACKGROUND COLOR WHITE TEXT AND LINE WORK.
 - C. ARIAL FONT.
3. ALL SIGNS SHALL BE SIZED APPROPRIATELY AND PLACED IN THE LOCATIONS SPECIFIED. SIGNAGE CANNOT BE HAND-WRITTEN.
4. SIGNS SHALL BE ATTACHED TO THE SERVICE EQUIPMENT WITH POP-RIVETS OR SCREWS

**SOLAR PV SYSTEM EQUIPPED
WITH RAPID SHUTDOWN**

TURN RAPID
SHUTDOWN SWITCH TO
THE "OFF" POSITION TO
SHUT DOWN PV SYSTEM
AND REDUCE SHOCK
HAZARD IN THE ARRAY



690.56(C)(1)(A)

PV METER

PM

AC

PV SYSTEM AC DISCONNECT
RATED AC OUTPUT CURRENT - 32.00 AMPS
AC NORMAL OPERATING VOLTAGE - 240 VOLTS

690.15, 690.54

**RAPID SHUTDOWN SWITCH FOR
SOLAR PV SYSTEM**

690.56(C)(3)

INVERTER

MAXIMUM VOLTAGE V
MAXIMUM CIRCUIT CURRENT A
MAX DC-DC CONVERTER
OUTPUT CURRENT A

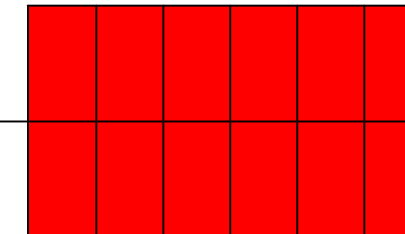
"WARNING"
ELECTRICAL SHOCK HAZARD.
TERMINALS ON BOTH LINE AND LOAD SIDES
MAY BE ENERGIZED IN THE OPEN POSITION.

690.13 (B)

PV SYSTEM DC DISCONNECT
MAXIMUM VOLTAGE: 480V
MAXIMUM CIRCUIT CURRENT: 20A
MAX RATED OUTPUT CURRENT OF
THE CONTROLLER OR DC-TO-DC
CONVERTER: 15A

690.53

ARRAY



NEC 690.31(G)(3) & (4)

"WARNING"
PHOTOVOLTAIC POWER SOURCE

EVERY 10' ON CONDUIT AND ENCLOSURES

CLIENT:
CATHERINE MEYER
332 DOCS ROAD, LILLINGTON, NC 27546
AHJ: COUNTY OF HARNETT
UTILITY: DUKE ENERGY
METER: 325 518 470
APN: 030507 0040 02
PHONE: (704) 607-2382
EMAIL: MEYERC@LABCORP.COM

SYSTEM:
SYSTEM SIZE (DC): 24 X 405 = 9.720 kW
SYSTEM SIZE (AC): 7.600 kW @ 240V
MODULES: 24 X REC SOLAR: REC405AA PURE
OPTIMIZERS: 24 X SOLAREDGE S440
INVERTER: SOLAREDGE SE7600H-USRGM [S11]

REVISIONS		
NO.	REVISED BY	DATE
1	M.F.	2/14/2024
-	-	-
-	-	-



FREEDOM FOREVER LLC
415 INDUSTRIAL CT., GREER, SC 29651
Tel: (800) 385-1075

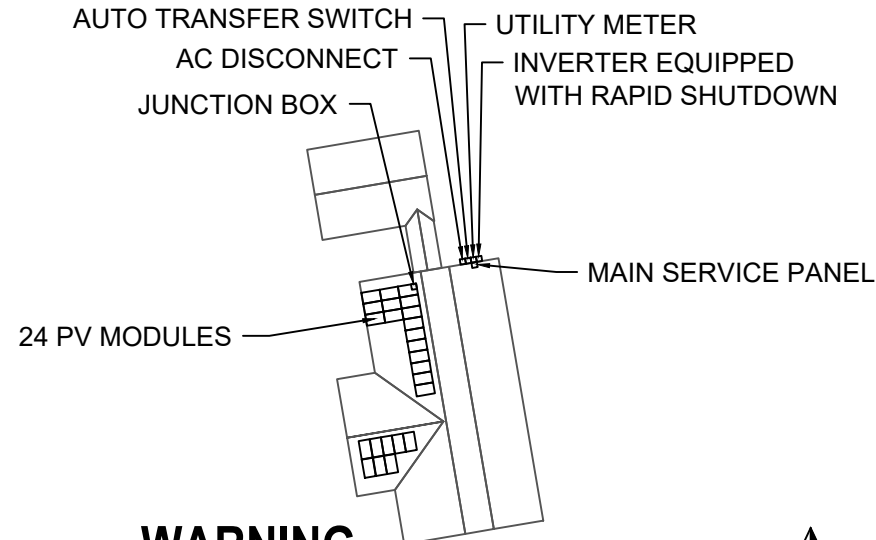
GREG ALBRIGHT

CONTRACTOR LICENSE:
ELECTRICAL CONTRACTOR U.34043

LABELS			
JOB NO:	DATE:	DESIGNED BY:	SHEET:
397270	2/20/2024	M.F.	PV-7

CAUTION:

POWER TO THIS BUILDING IS ALSO SUPPLIED FROM THE FOLLOWING SOURCES WITH DISCONNECTS AS SHOWN



WARNING

TURN OFF PHOTOVOLTAIC AC DISCONNECT PRIOR TO WORKING INSIDE PANEL



CLIENT:
 CATHERINE MEYER
 332 DOCS ROAD, LILLINGTON, NC 27546
 AHJ: COUNTY OF HARNETT
 UTILITY: DUKE ENERGY
 METER: 325 518 470
 APN: 030507 0040 02
 PHONE: (704) 607-2382
 EMAIL: MEYERC@LABCORP.COM

SYSTEM:
 SYSTEM SIZE (DC): 24 X 405 = 9.720 kW
 SYSTEM SIZE (AC): 7.600 kW @ 240V
 MODULES: 24 X REC SOLAR: REC405AA PURE
 OPTIMIZERS: 24 X SOLAREEDGE S440
 INVERTER: SOLAREEDGE SE7600H-USRGM [S1]

REVISIONS		
NO.	REVISED BY	DATE
1	M.F.	2/14/2024
-	-	-
-	-	-



FREEDOM FOREVER LLC
 415 INDUSTRIAL CT., GREER, SC 29651
 Tel: (800) 385-1075

GREG ALBRIGHT

Greg Albright

CONTRACTOR LICENSE:
 ELECTRICAL CONTRACTOR U.34043

SITE PLACARD

JOB NO:	DATE:	DESIGNED BY:	SHEET:
397270	2/20/2024	M.F.	PV-7A

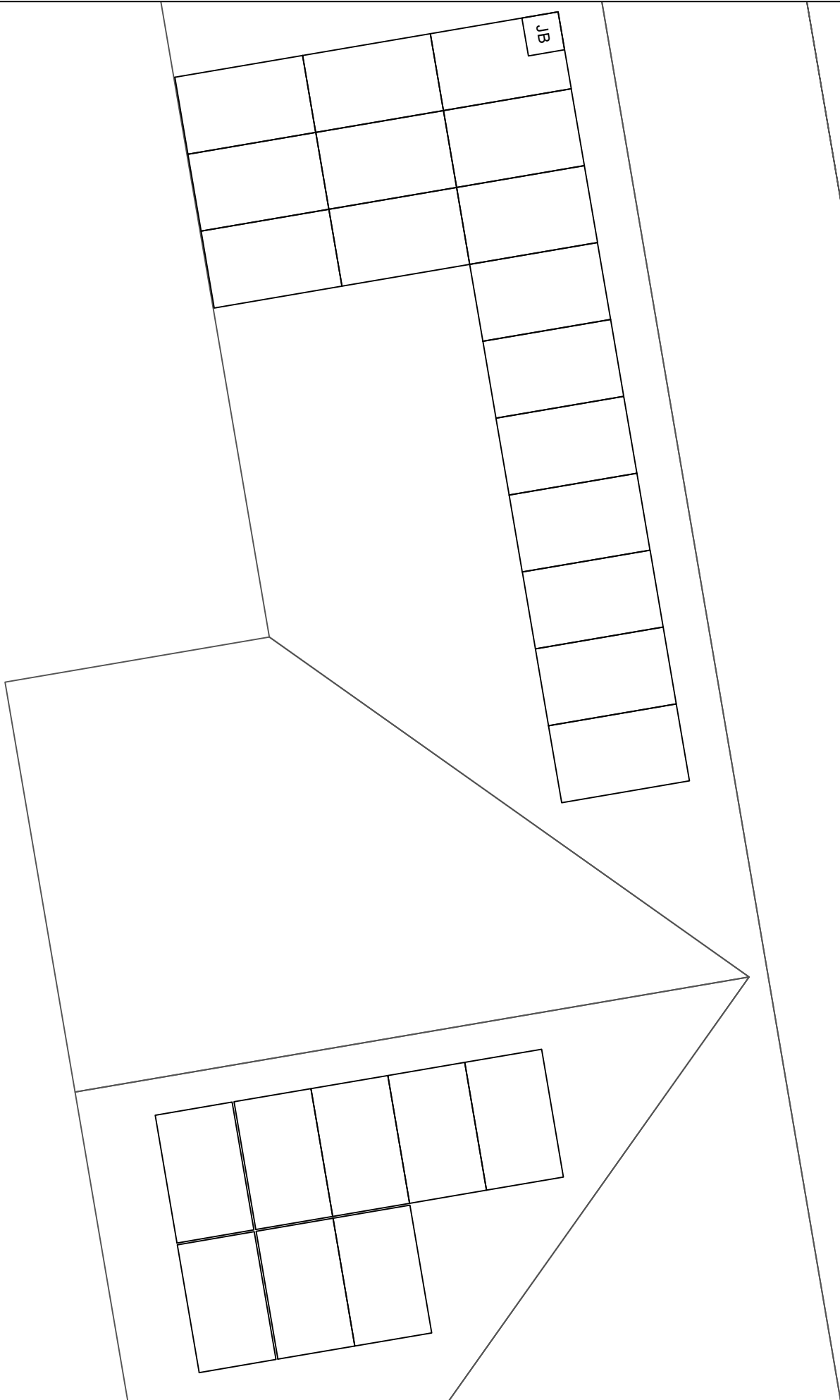
NOTES:

1. NEC ARTICLES 690 AND 705 AND IRC SECTION R324 MARKINGS SHOWN HEREON.
2. ALL MARKING SHALL CONSIST OF THE FOLLOWING:
 - A. UV RESISTANT SIGN MATERIAL WITH ENGRAVED OR MACHINE PRINTED LETTERS OR ELECTRO-PLATING.
 - B. RED BACKGROUND COLOR WHITE TEXT AND LINE WORK.
 - C. AERIAL FONT.
3. ALL SIGNS SHALL BE SIZED APPROPRIATELY AND PLACED IN THE LOCATIONS SPECIFIED. SIGNAGE CANNOT BE HAND-WRITTEN.
4. SIGNS SHALL BE ATTACHED TO THE SERVICE EQUIPMENT WITH POP-RIVETS OR SCREWS.

1-10 11-20 21-30 31-40 41-50 51-60

SOLAREEDGE OPTIMIZER CHART

1
2
3
4
5
6
7
8
9
10



CLIENT:
 CATHERINE MEYER
 332 DOCS ROAD, LILLINGTON, NC 27546
 AHJ: COUNTY OF HARNETT
 UTILITY: DUKE ENERGY
 METER: 325 518 470
 APN: 030507 0040 02
 PHONE: (704) 607-2382
 EMAIL: MEYERC@LABCORP.COM

SYSTEM:
 SYSTEM SIZE (DC): 24 X 405 = 9.720 kW
 SYSTEM SIZE (AC): 7.600 kW @ 240V
 MODULES: 24 X REC SOLAR: REC405AA PURE
 OPTIMIZERS: 24 X SOLAREEDGE S440
 INVERTER: SOLAREEDGE SE7600H-USRGM [S1]

REVISIONS		
NO.	REVISED BY	DATE
1	M.F.	2/14/2024
-	-	-
-	-	-



FREEDOM FOREVER LLC
 415 INDUSTRIAL CT., GREER, SC 29651
 Tel: (800) 385-1075

GREG ALBRIGHT

CONTRACTOR LICENSE:
 ELECTRICAL CONTRACTOR U.34043

OPTIMIZER CHART

JOB NO: 397270	DATE: 2/20/2024	DESIGNED BY: M.F.	SHEET: PV-8
-------------------	--------------------	----------------------	----------------

SAFETY PLAN

INSTRUCTIONS:

1. USE SYMBOLS IN KEY TO MARK UP THIS SHEET.
2. SAFETY PLAN MUST BE MARKED BEFORE JOB STARTS AS PART OF THE PRE-PLAN
3. DOCUMENT ALL ADDITIONAL HAZARDS ON THIS PAGE & MAKE NOTES ON THE JHA SHEET

INCIDENT REPORTING:

INJURIES - CALL INJURY HOTLINE

(855) 400-7233

**If injury is life threatening, call 911 first THEN the Injury Hotline*

NON-INJURIES - USE MOBILE INCIDENT REPORTING

(Auto, Property Damage, Near Miss)



NEAREST OCCUPATIONAL/INDUSTRIAL CLINIC:

NAME: _____

ADDRESS: _____

NEAREST HOSPITAL:

NAME: _____

ADDRESS: _____

SAFETY COACH CONTACT INFORMATION:

NAME: _____

PHONE NUMBER: _____

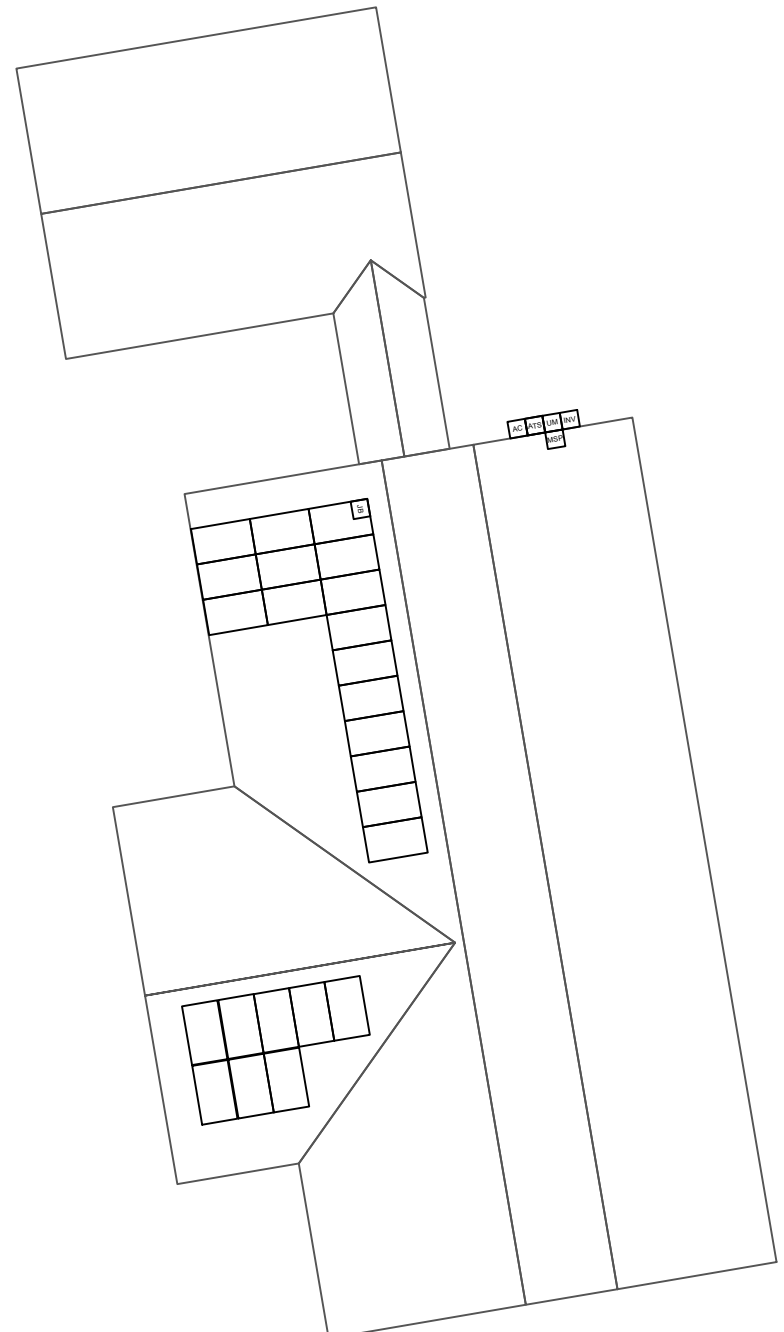
ALL EMPLOYEES ON SITE SHALL BE MADE AWARE OF THE SAFETY PLAN AND SIGN INDICATING THAT THEY ARE AWARE OF THE HAZARDS ON-SITE AND THE PLAN FOR WORKING SAFELY.

NAME

SIGNATURE

_____	_____
_____	_____
_____	_____
_____	_____
_____	_____
_____	_____
_____	_____
_____	_____

DATE: _____ TIME: _____



MARK UP KEY

- PERMANENT ANCHOR
- TEMPORARY ANCHOR
- INSTALLER LADDER
- JUNCTION / COMBINER BOX
- STUB-OUT
- SKYLIGHT
- NO LADDER ACCESS (STEEP GRADE OR GROUND LEVEL OBSTRUCTIONS)
- RESTRICTED ACCESS
- CONDUIT
- GAS SHUT OFF
- WATER SHUT OFF
- SERVICE DROP
- POWER LINES

POLICIES

INSTRUCTIONS:

1. SCAN QR LINK BELOW TO ACCESS ALL FREEDOM FOREVER SAFETY POLICIES AND PROGRAMS.



CLIENT:
 CATHERINE MEYER
 332 DOCS ROAD, LILLINGTON, NC 27546
 AHJ: COUNTY OF HARNETT
 UTILITY: DUKE ENERGY
 METER: 325 518 470
 APN: 030507 0040 02
 PHONE: (704) 607-2382
 EMAIL: MEYERC@LABCORP.COM

SYSTEM:
 SYSTEM SIZE (DC): 24 X 405 = 9.720 kW
 SYSTEM SIZE (AC): 7.600 kW @ 240V
 MODULES: 24 X REC SOLAR: REC405AA PURE
 OPTIMIZERS: 24 X SOLAREEDGE S440
 INVERTER: SOLAREEDGE SE7600H-USRGM [S11]

BREAK AND WATER LOG

THIS LOG IS TO BE FILLED OUT ANY TIME THE TEMP EXCEEDS 90 DEGREES. THE CREW LEAD AND ROOF LEAD ARE RESPONSIBLE FOR ENSURING THIS IS COMPLETED AND UPLOADED AT THE END OF EVERYDAY WHEN TEMPS EXCEED 90 DEGREES

NAME	0800HRS	0900HRS	1000HRS	1100HRS	1200HRS	1300HRS	1400HRS	1500HRS	1600HRS

REVISIONS		
NO.	REVISED BY	DATE
1	M.F.	2/14/2024
-	-	-
-	-	-



FREEDOM FOREVER LLC
 415 INDUSTRIAL CT., GREER, SC 29651
 Tel: (800) 385-1075

GREG ALBRIGHT

CONTRACTOR LICENSE:
 ELECTRICAL CONTRACTOR U.34043

SAFETY PLAN

JOB NO: 397270	DATE: 2/20/2024	DESIGNED BY: M.F.	SHEET: PV-9
-------------------	--------------------	----------------------	----------------

FOR INSTALLATION REFERENCE ONLY

SCAN QR CODE TO ACCESS REFERENCE LINK

FREEDOM REFERENCES



INSTALL HOTLINE

PV INSTALLATION REFERENCES



ENPHASE



SOLAREEDGE



TESLA

BATTERY INSTALLATION REFERENCES



Enphase Storage Systems



SOLAREEDGE Storage Systems



TESLA Storage Systems



NON-BACKUP Battery Systems



Misc. Quick Guide

Power Optimizer

For North America

S440, S500



POWER OPTIMIZER

PV power optimization at the module level

- Specifically designed to work with SolarEdge residential inverters
- Detects abnormal PV connector behavior, preventing potential safety issues*
- Module-level voltage shutdown for installer and firefighter safety
- Superior efficiency (99.5%)
- Mitigates all types of module mismatch loss, from manufacturing tolerance to partial shading
- Faster installations with simplified cable management and easy assembly using a single bolt
- Flexible system design for maximum space utilization
- Compatible with bifacial PV modules
- Meets NEC requirements for arc fault protection (AFCI) and Photovoltaic Rapid Shutdown System (PVRSS)

* Expected availability in 2022

solaredge.com



/ Power Optimizer

For North America

S440, S500

	S440	S500	Unit
INPUT			
Rated Input DC Power ⁽¹⁾	440	500	W
Absolute Maximum Input Voltage (Voc)	60		Vdc
MPPT Operating Range	8 - 60		Vdc
Maximum Short Circuit Current (Isc) of Connected PV Module	14.5	15	Adc
Maximum Efficiency	99.5		%
Weighted Efficiency	98.6		%
Ovenvoltage Category	II		
OUTPUT DURING OPERATION			
Maximum Output Current	15		Adc
Maximum Output Voltage	60		Vdc
OUTPUT DURING STANDBY (POWER OPTIMIZER DISCONNECTED FROM INVERTER OR INVERTER OFF)			
Safety Output Voltage per Power Optimizer	1+/-0.1		Vdc
STANDARD COMPLIANCE			
Photovoltaic Rapid Shutdown System	NEC 2014, 2017 & 2020		
EMC	FCC Part 15 Class B, IEC61000-6-2, IEC61000-6-3		
Safety	IEC62109-1 (class II safety), UL1741		
Material	UL94 V-0, UV Resistant		
RoHS	Yes		
Fire Safety	VDE-AR-E 2100-712:2013-05		
INSTALLATION SPECIFICATIONS			
Maximum Allowed System Voltage	1000		Vdc
Dimensions (W x L x H)	129 x 153 x 30 / 5.07 x 6.02 x 1.18		mm / in
Weight (including cables)	655 / 1.5		gr / lb
Input Connector	MC4 ⁽²⁾		
Input Wire Length	0.1 / 0.32		m / ft
Output Connector	MC4		
Output Wire Length	(+) 2.3, (-) 0.10 / (+) 7.54, (-) 0.32		m / ft
Operating Temperature Range ⁽³⁾	-40 to +85		°C
Protection Rating	IP68 / Type6B		
Relative Humidity	0 - 100		%

(1) Rated power of the module at STC will not exceed the power optimizer Rated Input DC Power. Modules with up to +5% power tolerance are allowed

(2) For other connector types please contact SolarEdge

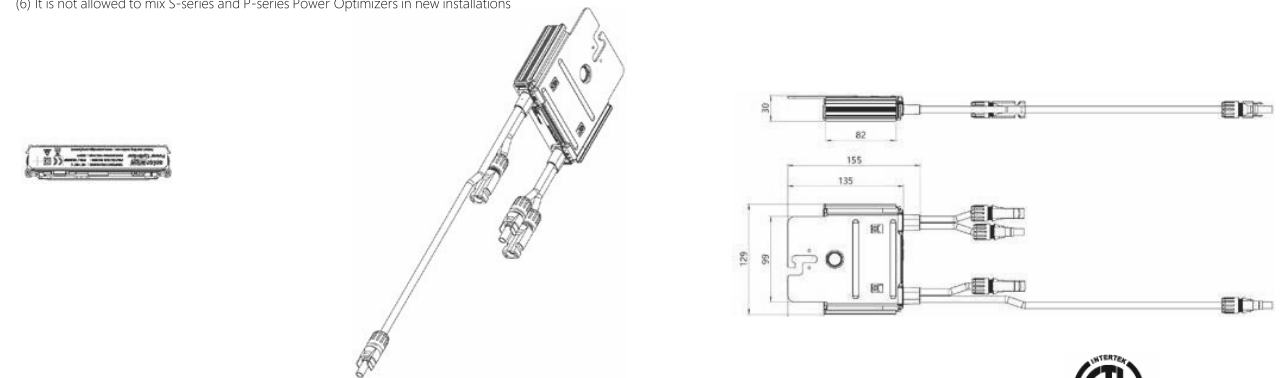
(3) For ambient temperature above +70°C / +158°F power de-rating is applied. Refer to Power Optimizers Temperature De-Rating Technical Note for more details

PV System Design Using a SolarEdge Inverter	Single Phase HD-Wave	Three Phase for 208V grid	Three Phase for 277/480V grid	
Minimum String Length (Power Optimizers)	S440, S500	8	14	18
Maximum String Length (Power Optimizers)	25		50 ⁽⁴⁾	
Maximum Nominal Power per String	5700 (6000 with SE7600-US-SE11400-U)	6000	12750	W
Maximum Allowed Connected Power per String ⁽⁵⁾ (Permitted only when the difference in connected power between strings is 1,000W or less)	Refer to Footnote 5	One String 7200W Two strings or more 7800W	15,000W	
Parallel Strings of Different Lengths or Orientations	Y			

(4) A string with more than 30 optimizers does not meet NEC rapid shutdown requirements; safety voltage will be above the 30V requirement

(5) If the inverters rated AC power < maximum nominal power per string, then the maximum power per string will be able to reach up to the inverters maximum input DC power. Refer to: <https://www.solaredge.com/sites/default/files/se-power-optimizer-single-string-design-application-note.pdf>

(6) It is not allowed to mix S-series and P-series Power Optimizers in new installations



© SolarEdge Technologies, Inc. All rights reserved. SOLAREEDGE, the SolarEdge logo, OPTIMIZED BY SOLAREEDGE are trademarks or registered trademarks of SolarEdge Technologies, Inc. All other trademarks mentioned herein are trademarks of their respective owners. Date: February 8, 2022 DS-000018-NA. Subject to change without notice.



SolarEdge Home Wave Inverter For North America

SE3800H-US / SE5000H-US / SE6000H-US /
SE7600H-US / SE10000H-US / SE11400H-US



INVERTERS

Optimized installation with HD-Wave technology

- Specifically designed to work with power optimizers
- Record-breaking 99% weighted efficiency
- Quick and easy inverter commissioning directly from a smartphone using SolarEdge SetApp
- Fixed voltage inverter for longer strings
- Integrated arc fault protection and rapid shutdown for NEC 2014-2023 per articles 690.11 and 690.12
- UL1741 SA certified, for CPUC Rule 21 grid compliance
- Small, lightweight, and easy to install both outdoors or indoors
- Built-in module-level monitoring
- Optional: Faster installations with built-in consumption metering (1% accuracy) and production revenue grade metering (0.5% accuracy, ANSI C12.20)

/ SolarEdge Home Wave Inverter For North America

SE3800H-US / SE5000H-US / SE6000H-US /
SE7600H-US / SE10000H-US / SE11400H-US

Applicable to inverters with part number	SEXXXXH-XXXXBXX4					SE11400H-XXXXBXX5	Units
	SE3800H-US	SE5000H-US	SE6000H-US	SE7600H-US	SE10000H-US	SE11400H-US	
OUTPUT							
Rated AC Power Output	3800 @ 240V 3300 @ 208V	5000	6000 @ 240V 5000 @ 208V	7600	10000	11400 @ 240V 10000 @ 208V	VA
Maximum AC Power Output	3800 @ 240V 3300 @ 208V	5000	6000 @ 240V 5000 @ 208V	7600	10000	11400 @ 240V 10000 @ 208V	VA
AC Output Voltage Min.-Nom.-Max. (211 - 240 - 264)	✓	✓	✓	✓	✓	✓	Vac
AC Output Voltage Min.-Nom.-Max. (183 - 208 - 229)	✓	-	✓	-	-	✓	Vac
AC Frequency (Nominal)	59.3 - 60 - 60.5 ⁽¹⁾						Hz
Maximum Continuous Output Current @240V	16	21	25	32	42	47.5	A
Maximum Continuous Output Current @208V	16	-	24	-	-	48.5	A
Power Factor	1, Adjustable - 0.85 to 0.85						
GFDI Threshold	1						A
Utility Monitoring, Islanding Protection, Country Configurable Thresholds	Yes						
INPUT							
Maximum DC Power @240V	5900	7750	9300	11800	15500	17650	W
Maximum DC Power @208V	5100	-	7750	-	-	15500	W
Transformer-less, Ungrounded	Yes						
Maximum Input Voltage	480						Vdc
Nominal DC Input Voltage	380						Vdc
Maximum Input Current @240V ⁽²⁾	10.5	13.5	16.5	20	27	30.5	Adc
Maximum Input Current @208V ⁽²⁾	9	-	13.5	-	-	27	Adc
Max. Input Short Circuit Current	45						Adc
Reverse-Polarity Protection	Yes						
Ground-Fault Isolation Detection	600k Sensitivity						
Maximum Inverter Efficiency	99.2						%
CEC Weighted Efficiency	99					99 @ 240V 98.5 @ 208V	%
Nighttime Power Consumption	< 2.5						W

(1) For other regional settings please contact SolarEdge support.

(2) A higher current source may be used; the inverter will limit its input current to the values stated.

/ SolarEdge Home Wave Inverter

For North America

SE3800H-US / SE5000H-US / SE6000H-US/

SE7600H-US / SE10000H-US / SE11400H-US

Applicable to inverters with part number	SEXXXXH-XXXXXBXX4					SE11400H-XXXXXBXX5	
	SE3800H-US	SE5000H-US	SE6000H-US	SE7600H-US	SE10000H-US	SE11400H-US	
ADDITIONAL FEATURES							
Supported Communication Interfaces	RS485, Ethernet, ZigBee (optional), wireless SolarEdge Home Network (optional) ⁽³⁾ , Wi-Fi (optional), Cellular (optional)						
Revenue Grade Metering, ANSI C12.20	Optional ⁽⁴⁾						
Consumption Metering							
Inverter Commissioning	With the SetApp mobile application using Built-in Wi-Fi Access Point for Local Connection						
Rapid Shutdown - NEC 2014-2023 per articles 690.11 and 690.12	Automatic Rapid Shutdown upon AC Grid Disconnect						
STANDARD COMPLIANCE							
Safety	UL1741, UL1741 SA, UL1741 SB, UL1699B, CSA C22.2, Canadian AFCI according to T.I.L. M-07						
Grid Connection Standards	IEEE1547-2018, Rule 21, Rule 14 (H1), CSA C22.3 No. 9						
Emissions	FCC Part 15 Class B						
INSTALLATION SPECIFICATIONS							
AC Output Conduit Size / AWG Range	1" Maximum / 14 – 6 AWG			1" Maximum / 14 – 4 AWG			
DC Input Conduit Size / # of Strings / AWG Range	1" Maximum / 1 – 2 strings / 14 – 6 AWG			1" Maximum / 1 – 3 strings / 14 – 6 AWG			
Dimensions with Safety Switch (H x W x D)	17.7 x 14.6 x 6.8 / 450 x 370 x 174			21.06 x 14.6 x 7.3 / 535 x 370 x 185	21.06 x 14.6 x 8.2 / 535 x 370 x 208 ⁽⁵⁾	in / mm	
Weight with Safety Switch	22 / 10	25.1 / 11.4	26.2 / 11.9	38.8 / 17.6	44.9 / 20.4 ⁽⁵⁾	lb / kg	
Noise	< 25			< 50			dBA
Cooling	Natural Convection						
Operating Temperature Range	-40 to +140 / -40 to +60 ⁽⁶⁾						
Protection Rating	NEMA 4X (Inverter with Safety Switch)						

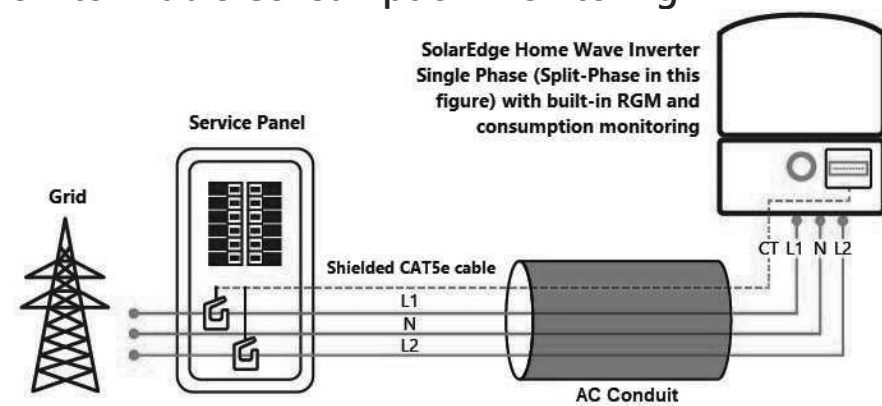
(3) For more information, refer to the [SolarEdge Home Network](#) datasheet

(4) Inverter with Revenue Grade Production and Consumption Meter P/N: SExxxxH-US000BEI4. For consumption metering, current transformers should be ordered separately: SEACT0750-400NA-20 or SEACT0750-400NA-20. 20 units per box.

(5) SE11400H-USxxxBox5 is the updated PN, though SE11400H-USxxxBox4 will still be available. All specifications are similar for both models, **EXCLUDING** the weight and dimensions [HxWxD]. The weight and dimensions of SE11400H-USxxxBox4 are 17.6 [kg] and 21.06-14.6-7.3 / 535-370-185 [in/mm], accordingly.

(6) Full power up to at least 50°C / 122°F; for power de-rating information refer to the [Temperature De-rating Technical Note for North America](#).

How to Enable Consumption Monitoring



By simply wiring current transformers through the inverter's existing AC conduits and connecting them to the service panel, homeowners will gain full insight into their household energy usage helping them to avoid high electricity bills.

Product specifications

Eaton DG222NRB

Catalog Number: DG222NRB

Eaton General duty cartridge fuse safety switch, 60 A, NEMA 3R, Painted galvanized steel, Class H fuses, Fusible with neutral, Two-pole, Three-wire, Category: general duty safety switch, 240 V

General specifications

Product Name	Catalog Number
Eaton general duty cartridge fuse safety switch	DG222NRB
	UPC
	782113144221
Product Length/Depth	Product Height
7.35 in	14.37 in
Product Width	Product Weight
8.4 in	10 lb
Warranty	Certifications
Eaton Selling Policy 25-000, one (1) year from the date of installation of the Product or eighteen (18) months from the date of shipment of the Product, whichever occurs first.	UL Listed
	Catalog Notes
	Maximum hp ratings apply only when dual element fuses are used. 3-Phase hp rating shown is a grounded B phase rating, UL listed.



Physical Attributes

Enclosure
NEMA 3R

Enclosure material
Painted galvanized steel

Fuse configuration
Fusible with neutral

Number Of Poles
Two-pole

Number of wires
3

Type
General duty, cartridge fused

Performance Ratings

Amperage Rating
60A

Fuse class provision
Class H fuses

Voltage rating
240V

Miscellaneous

Product Category
General duty safety switch

Resources

Catalogs
Eaton's Volume 2—Commercial Distribution

Multimedia
Double Up on Safety
Switching Devices Flex Center

Specifications and datasheets
Eaton Specification Sheet - DG222NRB



Eaton Corporation plc
Eaton House
30 Pembroke Road
Dublin 4, Ireland
Eaton.com
© 2023 Eaton. All Rights Reserved.

Eaton is a registered trademark.
All other trademarks are property of their respective owners.



Eaton.com/socialmedia

INSULATION-PIERCING TAP CONNECTORS CONECTORES DE DERIVACIÓN QUE PERFORAN EL AISLAMIENTO

Installation Instructions:

Warning

Improperly installed electrical wiring can be dangerous and cause electrical fires. The connector chosen must be sized to the wires being used. Consult local building code before doing any electrical work. For assistance, refer to an instructional book or consult a qualified electrician.

Warning

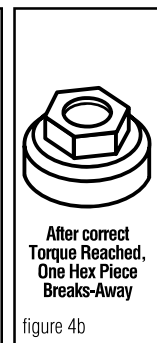
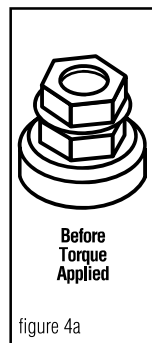
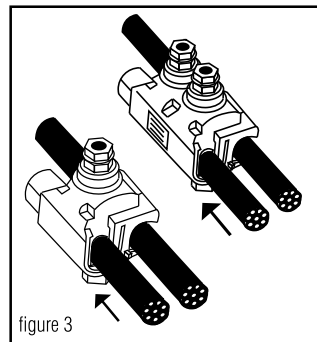
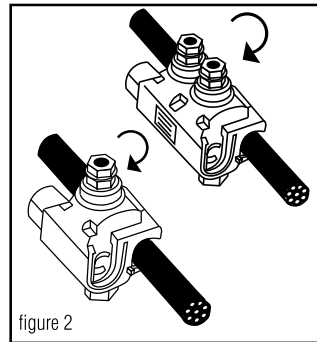
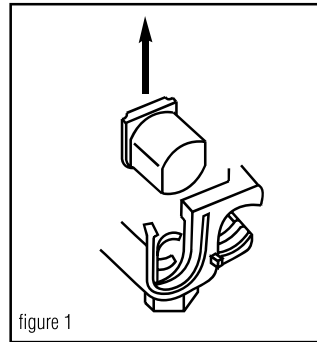
Contact with electricity can cause serious injury or death. Use on insulated cable only. [RHH, RHW(-2), THHN, THHW, THW, THWN, USE, XHHW(-2)]. Consult factory for other insulation types). If the installation is to be made on an energized run, the tap conductor must be under no load and must not be grounded. Use electrically insulated gloves. De-energize the run cable if there are any questions of these conditions being met.

- Determine the direction for the tap conductor to exit and discard one end cap. **See figure 1.**
- Position the main (or feeder) side of the connector around the run cable and tighten the bolt finger tight. **See figure 2.** If required, loosen the bolt slightly to allow the connector to open completely. **DISASSEMBLY NOT RECOMMENDED.** The plastic "Turbo" spacer holds the connector open which eases installation and ensures proper connections.
- Cut the end of the tap cable squarely. **DO NOT STRIP CABLE INSULATION.**
- Insert the tap cable into the tap side of the connector until it is seated in the remaining end cap. **See figure 3.**
- Continue tightening the torque regulating bolt with a standard box or socket wrench until the torque regulating piece breaks away. If the connector has two (2) assembly bolts, alternately tighten until the hexagonal torque devices break away. **See figures 4a & 4b.** Note that the plastic "turbo" spacer on the side will also break. To make the installation even easier and to relieve torque from the cables, a second wrench can be used on the hexagonal piece on the bottom of the connector.

DO NOT use gripping type pliers, pipe, open ended or adjustable wrenches as these may damage the hexagonal torque regulating device. A torque wrench is not required.

MAKE SURE ONLY THE TOP HEXAGONAL TORQUE DEVICE OF THE BOLT HEAD IS USED FOR ASSEMBLY. THE SECOND HEX PIECE [CLOSER TO THE BODY OF THE CONNECTOR] IS USED FOR DISASSEMBLY.

Note: The torque regulating bolt ensures the correct torque is applied to the conductors without using a torque wrench. Important information such as run and tap ranges, voltage ratings and material/temperature ratings is marked on the connector.



Instalación Instrucciones:

Advertencia

Los cables eléctricos mal instalados pueden ser peligrosos y provocar incendios. El conector escogido debe ser de un tamaño adecuado para los cables que se utilicen. Consulte los códigos de construcción locales antes de efectuar trabajos eléctricos. Si necesita ayuda, consulte un libro de instrucciones o consulte con un electricista capacitado.

Advertencia

Use sólo en cable aislado. [RHH, RHW(-2), THHN, THHW, THW, THWN, USE, XHHW(-2)]. Consulte con la fábrica para obtener información sobre otros tipos de aislamiento). Si se va a hacer la instalación sobre un cable con corriente el conductor derivado debe estar libre de carga y no debe estar aterado. Use guantes con aislamiento eléctrico. Quite la corriente al cable del cual se hace la derivación si no se pueden cumplir estas condiciones. El contacto con electricidad puede producir lesiones graves o mortales.

- Determine la dirección en la que el conductor derivado saldrá y deseche la tapa terminal sobrante. **Vea la ilustración 1.**
- Coloque el lado principal (o de alimentación) del conector alrededor del cual se hace la derivación y apriete firmemente el dedo del perno. **Vea la ilustración 2.** Si hace falta, afloje el perno ligeramente para permitir que el conector se abra completamente. **NO ES RECOMENDABLE DESARMAR EL CONECTOR.** El espaciador "Turbo" de plástico mantiene al conector abierto, lo cual facilita la instalación y asegura que las conexiones se hagan correctamente.
- Corte el extremo del cable de derivación perpendicularmente a su eje. **NO PELE EL AISLAMIENTO DEL CABLE.**
- Inserte el cable de derivación en el lado de derivación del conector hasta que tope contra la tapa terminal que queda. **Vea la ilustración 3.**
- Continúe apretando este perno que regula la torsión con una llave estándar o de cubo hasta que la pieza que regula la torsión se parta y se separe. Si el conector tiene dos (2) pernos de ensamblaje, apriételes alternativamente hasta que el dispositivo de regulación de torció se parta. **Vea la ilustración 4a y 4b.** Observe que el espaciador "turbo" de plástico en el costado también se fracturará. Para hacer esta instalación aún más fácil y para aliviar la torsión de los cables, se puede usar una segunda llave sobre la pieza hexagonal al fondo del conector.

NO USE alicates de presión, llaves de turbo, llaves comunes o ajustables ya que éstas pueden dañar el dispositivo hexagonal que regula la torsión. No se requiere una llave de torsión.

ASEGÚRESE QUE SE USE, PARA EL ENSAMBLADO, SÓLO EL DISPOSITIVO SUPERIOR DE REGULACIÓN DE TORSIÓN DE LA CABEZA DEL PERNO. LA SEGUNDA PIEZA HEXAGONAL (LA MÁS CERCANA AL CUERPO DEL CONECTOR) SE USA SÓLO PARA DESARMAR EL CONECTOR.

Nota: El perno regulador de torsión garantiza la aplicación de la torsión correcta a los conductores sin usar una llave de torsión. La información importante de longitud de cable pelado y de toma, las clasificaciones de materiales y temperatura está marcada en el conector.

B-TAP[®] INSULATION PIERCING TAP CONNECTORS TORQUE AND CURRENT RATINGS

(Solid and/or Stranded)

CATALOG#	MAIN	TAP	NOMINAL TORQUE	TAP CURRENT RATING (IN AMPS)*
BTC2/0-14	2/0-4	10-14+	80 IN. LBS.	40
BTC1/0-10	1/0-8	2-10++	80 IN. LBS.	130
BTC4/0-10	4/0-3	2-10++	125 IN. LBS.	130
BTC4/0-6	4/0-2	1/0-6	160 IN. LBS.	170
BTC4/0-2	4/0-2	4/0-2	160 IN. LBS.	260
BTC250-6	250-4	4/0-6	160 IN. LBS.	260
BTC250-4	250-1	3/0-4	160 IN. LBS.	225
BTC250-2	250-1/0	4/0-2	160 IN. LBS.	260
BTC350-1/0	350-1/0	350-1/0	330 IN. LBS.	350
BTC500-4	500-2/0	4/0-4	330 IN. LBS.	260
BTC500-1/0	500-4/0	350-1/0	330 IN. LBS.	350
BTC500-14	750-3/0	10-14 +++	80 IN. LBS.	40
BTC750-250	750-250	500-250	330 IN. LBS.	430

+10-14 Cu SOLID/STRANDED; 10-12 Al SOLID/STRANDED
++2-10 Cu SOLID/STRANDED; 2-10 Al STRANDED
+++2-10 Cu SOLID/STRANDED; 2-8 Al STRANDED
++++10-14 Cu SOLID/STRANDED; 10-12 Al STRANDED

Full line is 600V dual-rated, 194°F(90°C)

* Based on NEC Table 310-16 1996 (Not more than 3 insulated conductors in a raceway at ambient temperature of 30° C) for the largest tap wire size.

Warning: Cancer and Reproductive Harm - www.P65Warnings.ca.gov.

Advertencia: Cáncer y Daño Reproductivo - www.P65Warnings.ca.gov.

One year limited warranty. See idealind.com for more information.

Garantía limitada de un año. Visite www.idealind.com para obtener detalles de la garantía.



IDEAL INDUSTRIES, INC.

1375 Park Avenue • Sycamore, Illinois 60178 • 815.895.5181 • www.idealind.com

ALL IDEAL Customers

2/9/23

Subject: **The Buchanan B-TAP® splice/tap connectors meet the 2020 NEC article 230.46 requirement for “line side applications”**

The Buchanan B-TAP® brand of insulation piercing connectors which correspond to part numbers beginning with “BTC” meet the requirements of article 230.46 of the 2020 NEC. These products have already been tested to the newer requirements. The installation instructions are in the process of being updated to show the required notation: “suitable for use on the line side of the service equipment”. This change will take a few weeks to get into our production.

In addition, the marking “SR” will be added to the product. That addition is in process and will take a few months to complete.

This notice will provide confirmation to the inspectors that B-TAP® products meet the requirements of the 2020 and 2023 NEC article 230.46 “Spliced and Tapped Conductors”.

Sushil Keswani

A handwritten signature in black ink, appearing to read "Sushil Keswani", written in a cursive style.

Director of Engineering
IDEAL Industries, Inc.,

Splicing wire connectors, Model(s): [H-1566](#), [H-1567](#), [H-1570](#), [H-1571](#), [H-1572](#), [H-1591](#), [H-1592](#), [H-1594](#)

Terminal connectors, Model(s): [10](#), [11](#), [22](#), [250](#), [300](#), [341](#), [342](#), [410 with insulating cap No. 415](#), [411 with insulating cap No. 417](#), [412 with insulating cap No. 417](#), [451](#), [452](#), [454](#), [48](#), [49](#), [49 Black](#), [53-B](#), [59B](#), [600](#), [71B#](#), [72B#](#), [73B#](#), [73B+](#), [74B](#), [76B](#), [76B+](#), [78B+](#), [82](#), [K-5504](#), [LSNL2-4](#), [M-3](#), [PV3-750](#), [PV3-750](#), [PV3-750](#), [PV4-750](#), [PV4-750](#), [PV4-750](#), [RNBL2-4](#), [RNBS14-6](#), [RNBS38-6](#), [RNBS38-8](#), [RNYB22-10](#), [RNYBS8-6](#), [RV2-6](#), [RVL2-5](#), [SV5-5](#), [WT1](#), [WT2](#), [WT3](#), [WT4](#), [WT41](#), [WT51](#), [WT52](#), [WT53](#), [WT54](#), [WT6](#)

Terminal Connectors, Model(s): [RNB22-11](#)

Wire Connectors, Model(s): [65](#), [653](#)

Wire Connectors and Soldering Lugs, Model(s): [L22](#), [L23](#), [L25](#), [PS10](#), [PS12](#), [PS2](#), [PS3](#), [PS4](#), [PS4S](#), [PS5](#), [PS6](#), [PS8](#)

- The equipment (71B, 72B and 73B) were also evaluated to the requirements of UL 2043 and are suitable for use in air handling spaces.

* - May be followed by suffix B, J, T or X.

NOTE - All models may be provided with or without prefix "V" or suffix "MP" or "V" and prefix "BP". All models may be followed by suffixes BT, UB or UF with or without a two or four digit number, with or without suffixes B, LP, NP, PF, PH, SP and/or T. Die Series terminals may be followed by Suffixes UI, UT, UF, US, or UB, with or without a two to four digit number, with or without Suffix T or B, followed by Suffixes SP, LP, NP, PF, or and/or NM, by PH or BE, with or without Suffixes NT, BS, and /or G.

The appearance of a company's name or product in this database does not in itself assure that products so identified have been manufactured under UL Solutions' Follow - Up Service. Only those products bearing the UL Mark should be considered to be Certified and covered under UL Solutions' Follow - Up Service. Always look for the Mark on the product.

UL Solutions permits the reproduction of the material contained in Product iQ subject to the following conditions: 1. The Guide Information, Assemblies, Constructions, Designs, Systems, and/or Certifications (files) must be presented in their entirety and in a non-misleading manner, without any manipulation of the data (or drawings). 2. The statement "Reprinted from Product iQ with permission from UL Solutions" must appear adjacent to the extracted material. In addition, the reprinted material must include a copyright notice in the following format: "©2023 UL LLC."

The right way to attach solar PV to trapezoidal roof profiles!

S-5![®] The Right Way![™]

ProteaBracket[™]

A versatile bracket for mounting solar PV to trapezoidal roof profiles

ProteaBracket[™] is now made in aluminum. Still the most versatile trapezoidal metal roof attachment solution on the market, the S-5! ProteaBracket just got better!

The bracket features an adjustable attachment base and module attachment options to accommodate different roof profile dimensions and mounting options.

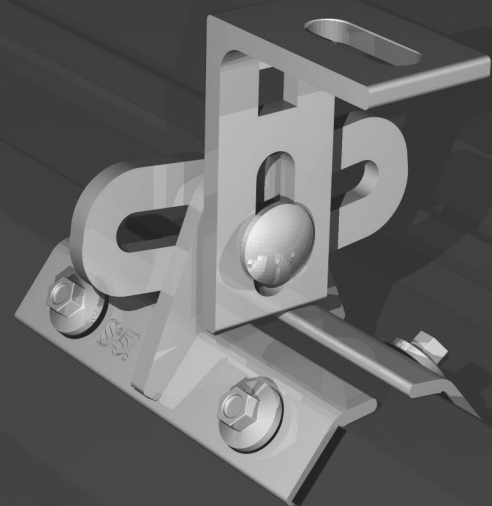
Our pre-applied EPDM gasket with peel and stick adhesive makes installation a snap, ensuring accurate and secure placement the first time.

With no messy sealants, faster installation, and a weather-proof fit, ProteaBracket offers you the most versatile solar attachment solution available.

ProteaBracket* can be used for rail mounting or "direct-attach" with S-5! PVKIT[™]

*When ProteaBracket is used in conjunction with the S-5! PVKIT, an additional nut is required during installation.

NOW AVAILABLE
IN ALUMINUM



Features and Benefits

- 34% lighter - saves on shipping
- Stronger L-Foot[™]
- Load-tested for engineered application
- Corrosion-resistant materials
- Adjustable - Fits rib profiles up to 3"
- Peel-and-Stick prevents accidental shifting during installation
- Fully pre-assembled
- 25-year warranty*

*See www.S-5.com for details.



ProteaBracket[™]



888-825-3432 | www.S-5.com

S-5![®] The Right Way![™]

ProteaBracket[™] is the perfect solar attachment solution for most trapezoidal rib, exposed-fastened metal roof profiles!

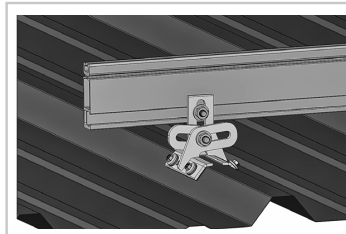
ProteaBracket[™] is compatible with common metal roofing materials and comes with a pre-applied EPDM gasket on the base.

Note: All four pre-punched holes must be used to achieve tested strength. Fasteners are provided.

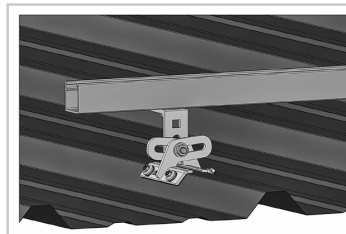
For design assistance, ask your distributor, or visit www.S-5.com for the independent lab test data that can be used for load-critical designs and applications. Also, please visit our website for more information including metallurgical compatibilities and specifications.

S-5![®] holding strength is unmatched in the industry.

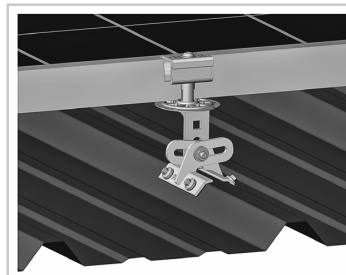
Multiple Attachment Options:



Side
Mount Rail



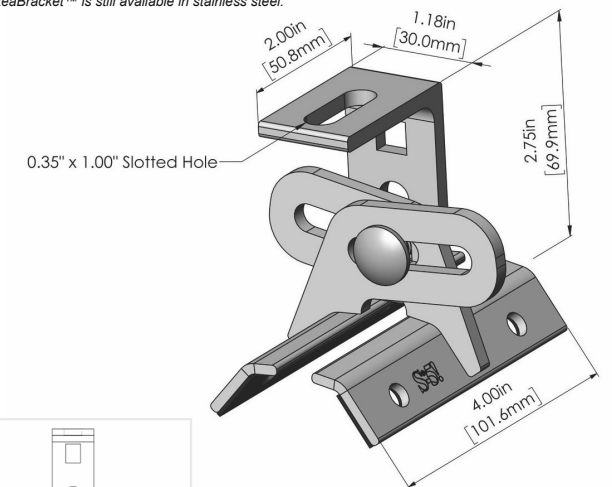
Bottom
Mount Rail



w/ S-5!
PVKIT[™]
(rail-less)

ProteaBracket[™]

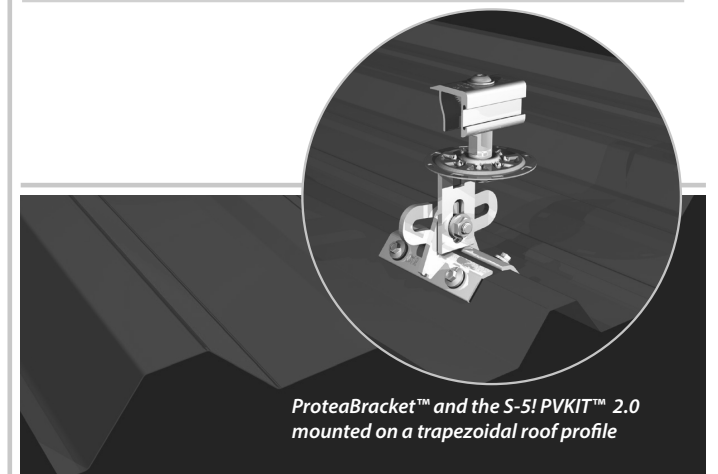
ProteaBracket[™] is still available in stainless steel.



ProteaBracket fits profiles
up to 3 inches

INSTALLATION:

- (1) Wipe away excess oil and debris.
- (2) Peel off adhesive release paper.
- (3) Align and mount bracket directly onto crown of panel.
- (4) Secure ProteaBracket through pre-punched holes, using piercing-point S-5! screws.



ProteaBracket[™] and the S-5! PVKIT[™] 2.0 mounted on a trapezoidal roof profile

S-5![®] Warning! Please use this product responsibly!

Products are protected by multiple U.S. and foreign patents. For published data regarding holding strength, bolt torque, patents, and trademarks, visit the S-5! website at www.S-5.com.

Copyright 2019, Metal Roof Innovations, Ltd. S-5! products are patent protected. S-5! aggressively protects its patents, trademarks, and copyrights. Version 07089.

Distributed by

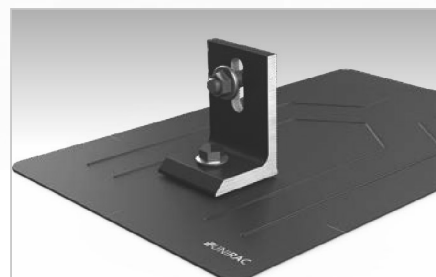
SOLARMOUNT



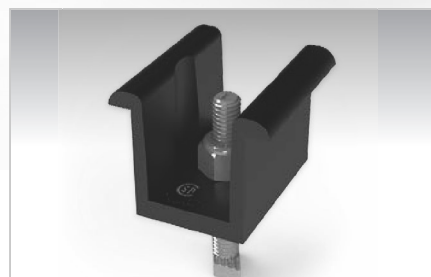
SOLARMOUNT is the professionals' choice for residential PV mounting applications. Every aspect of the system is designed for an easier, faster installation experience. **SOLARMOUNT** is a complete solution with revolutionary universal clamps, **FLASHKIT PRO**, full system UL 2703 certification and 25-year warranty. Not only is **SOLARMOUNT** easy to install, but best-in-class aesthetics make it the most attractive on any block!



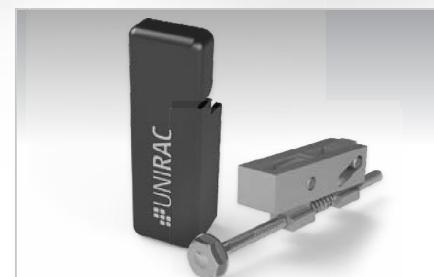
New & Improved:
THE PROFESSIONALS' CHOICE
With Superior Aesthetics



NOW FEATURING FLASHKIT PRO
The Complete Roof Attachment Solution
FEATURING **SHED & SEAL** TECHNOLOGY



NOW WITH UNIVERSAL MIDCLAMPS
Accommodates 30mm-51mm module frames
One tool, one-person installs are here!



REVOLUTIONARY NEW ENDCLAMPS
Concealed design and included End Caps

THE PROFESSIONALS' CHOICE FOR RESIDENTIAL RACKING

BEST INSTALLATION EXPERIENCE • CURB APPEAL • COMPLETE SOLUTION • UNIRAC SUPPORT

FOR QUESTIONS OR CUSTOMER SERVICE VISIT UNIRAC.COM OR CALL (505) 248-2702

SOLARMOUNT



BETTER DESIGNS

TRUST THE INDUSTRY'S BEST DESIGN TOOL

Start the design process for every project in our U-Builder on-line design tool. It's a great way to save time and money.

BETTER SYSTEMS

ONE SYSTEM - MANY APPLICATIONS

Quickly set modules flush to the roof on steep pitched roofs. Orient a large variety of modules in Portrait or Landscape. Tilt the system up on flat or low slow roofs. Components available in mill, clear, and dark finishes to optimize your design financials and aesthetics.

BETTER RESULTS

MAXIMIZE PROFITABILITY ON EVERY JOB

Trust Unirac to help you minimize both system and labor costs from the time the job is quoted to the time your teams get off the roof. Faster installs. Less Waste. More Profits.

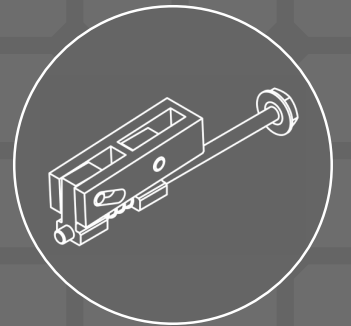
BETTER SUPPORT

WORK WITH THE INDUSTRIES MOST EXPERIENCED TEAM

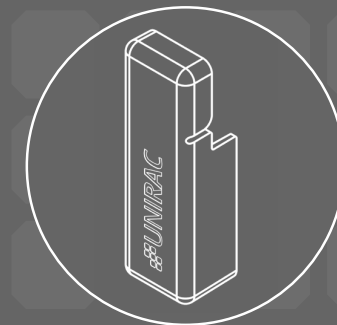
Professional support for professional installers and designers. You have access to our technical support and training groups. Whatever your support needs, we've got you covered. Visit Unirac.com/solarmount for more information.

LISTED UL2703 BONDING & GROUNDING MECHANICAL LOADING SYSTEM FIRE CLASSIFICATION

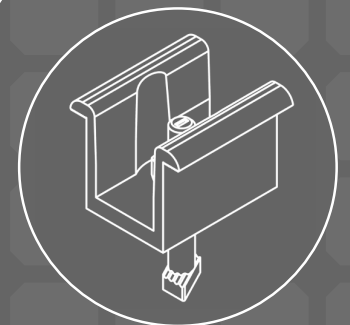
CONCEALED UNIVERSAL ENDCLAMPS



END CAPS INCLUDED WITH EVERY ENDCLAMP

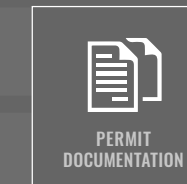
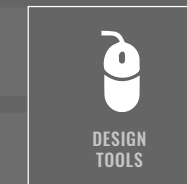
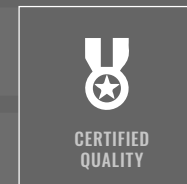
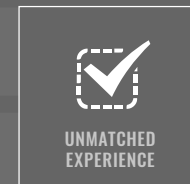


UNIVERSAL SELF-STANDING MIDCLAMPS



U-BUILDER ONLINE DESIGN TOOL SAVES TIME & MONEY
Visit design.unirac.com

UNIRAC CUSTOMER SERVICE MEANS THE HIGHEST LEVEL OF PRODUCT SUPPORT



TECHNICAL SUPPORT

Unirac's technical support team is dedicated to answering questions & addressing issues in real time. An online library of documents including engineering reports, stamped letters and technical data sheets greatly simplifies your permitting and project planning process.

CERTIFIED QUALITY PROVIDER

Unirac is the only PV mounting vendor with ISO certifications for 9001:2008, 14001:2004 and OHSAS 18001:2007, which means we deliver the highest standards for fit, form, and function. These certifications demonstrate our excellence and commitment to first class business practices.

BANKABLE WARRANTY

Don't leave your project to chance. Unirac has the financial strength to back our products and reduce your risk. Have peace of mind knowing you are providing products of exceptional quality. SOLARMOUNT is covered by a 25 year limited product warranty and a 5 year limited finish warranty.

ENHANCE YOUR REPUTATION WITH QUALITY RACKING SOLUTIONS BACKED BY ENGINEERING EXCELLENCE AND A SUPERIOR SUPPLY CHAIN

PUB2018AUG31 - PRINTED UPDATE FOR QUESTIONS OR CUSTOMER SERVICE VISIT UNIRAC.COM OR CALL (505) 248-2702



Certificate of Compliance

Certificate: 70131735

Master Contract: 266909

Project: 80082031

Date Issued: 2021-06-02

Issued To: **Unirac**
1411 Broadway NE
Albuquerque, New Mexico, 87102
United States

Attention: Klaus Nicolaedis

The products listed below are eligible to bear the CSA Mark shown with adjacent indicators 'C' and 'US' for Canada and US or with adjacent indicator 'US' for US only or without either indicator for Canada only.

Issued by: *Michael Hoffnagle*
Michael Hoffnagle



PRODUCTS

CLASS - C531302 - POWER SUPPLIES - PHOTOVOLTAICS-PV Racking and clamping systems
CLASS - C531382 - POWER SUPPLIES - PHOTOVOLTAICS-PV Racking and clamping systems -
Certified to US Standards

Models:	SM	-	SOLARMOUNT Flush-to-Roof is an extruded aluminum rail PV racking system that is installed parallel to the roof in landscape or portrait orientations.
	ULA	-	Unirac Large Array is a ground mount system using the SolarMount (SM) platform for the bonding and grounding of PV modules.

Solarmount



Certificate: 70131735
Project: 80082031

Master Contract: 266909
Date Issued: 2021-06-02

The system listed is designed to provide bonding/grounding, and mechanical stability for photovoltaic modules. The system is secured to the roof with the L-Foot components through the roofing material to building structure. Modules are secured to the racking system with stainless steel or aluminum mid clamps and Aluminum end clamps. The modules are bonded to the racking system with the stainless-steel bonding mid clamps with piercing points. The system is grounded with 10 AWG copper wire to bonding/grounding lugs. Fire ratings of Class A with Type 1, 2, 3, 10, 19, 22 or 25 for steep slope. Tested at 5" interstitial gap which allows installation at any stand-off height.

The grounding of the system is intended to comply with the latest edition of the National Electrical Code, to include NEC 250 & 690. Local codes compliance is required, in addition to national codes. All grounding/bonding connections are to be torqued in accordance with the Installation Manual and the settings used during the certification testing for the current edition of the project report.

The system may employ optimizers/micro-inverters and used for grounding when installed per installation instructions.

UL 2703 Mechanical Load ratings:

Downward Design Load (lb/ft ²)	113.5
Upward Design Load (lb/ft ²)	50.7
Down-Slope Load (lb/ft ²)	16.13

Test Loads:

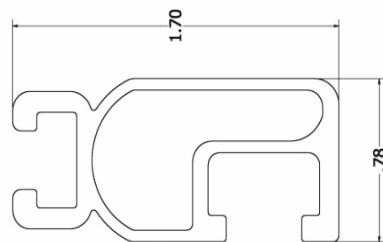
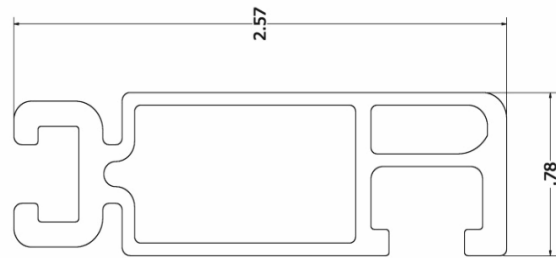
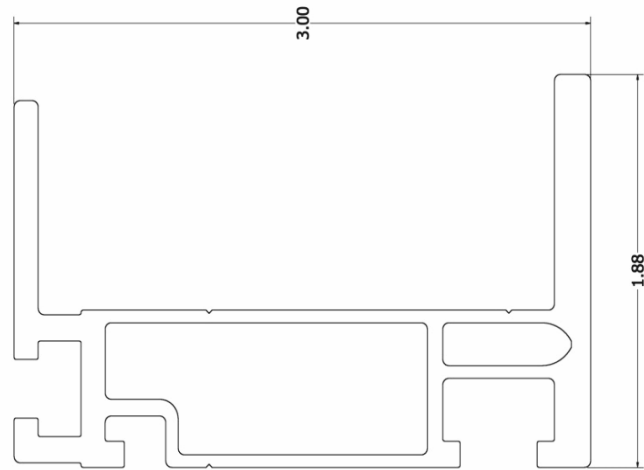
Downward Load (lb/ft ²)	170.20
Upward Load (lb/ft ²)	76.07
Down-Slope Load (lb/ft ²)	24.2

Unirac Large Array

ULA is a ground mount system using the SolarMount (SM) platform for the bonding and grounding of PV modules. ULA aluminum components merge with SM rails and installer-supplied steel pipe. The SM rail system is secured to the horizontal Pipe using the Rail Bracket components. The Rear and Front cap secures the horizontal Pipe to the vertical Pipe. The Front cap is also used to secure the Cross brace. A Slider is attached to the vertical Pipe to secure the Cross brace. The SM rails, caps, slider, rail brackets, and cross braces materials are 6105-T5 aluminum extrusion. Fasteners materials are 304 stainless steel. Horizontal and vertical pipe materials meet the minimum requirements of ASTM A53 for galvanized steel pipe in 2" and 3" diameter.

The mechanical load ratings from the SM test data will be applied to the ULA model.

Fire Testing is not applicable due to being a ground mount system.



Properties	SOLARMOUNT Light	SOLARMOUNT Rail Profile 2	SOLARMOUNT HD	Units
BEAM HEIGHT	1.70	2.57	3.00	in
APPROX WEIGHT	0.491	0.728	1.271	plf
CROSS SECTION AREA	0.409	0.625	1.059	in ²
SECTION MODULUS (X-AXIS)	0.15	0.363	0.898	in ³
SECTION MODULUS (Y-AXIS)	0.067	0.113	0.221	in ³
MOMENT OF INERTIA (X-AXIS)	0.13	0.467	1.45	in ⁴
MOMENT OF INERTIA (Y-AXIS)	0.026	0.045	0.267	in ⁴
RADIUS OF GYRATION (X-AXIS)	0.564	0.865	1.17	in
RADIUS OF GYRATION (Y-AXIS)	0.254	0.269	0.502	in

PAGE H3

Certificate



Certificate no. **US 82160015 01**

License Holder:
Unirac Inc.
1411 Broadway NE
Albuquerque NM 87102
USA

Manufacturing Plant:
Unirac Inc.
1411 Broadway NE
Albuquerque NM 87102
USA

Test report no.: USA- 31440029 005
Tested to: UL 2703:2015

Client Reference: Tom Young

Certified Product: Module Rack Mounting System

License Fee - Units

Model Designation: SolarMount (SM)

7

Max System Voltage of PV Module: 1000 VDC
Max Size of PV Module: 20.8 sq.ft. surface area
Max Overcurrent Protection Rating of PV Module:
30 A when using the qualified grounding lugs;
20 A when using the Enphase micro inverter EGC.

Fire Rating: Class A when installed with
Type 1, Type 2, Type3, or Type 10 fire rated modules.

(continued)

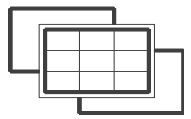
Appendix: 1,1-5

7

Licensed Test mark:



Date of Issue
(day/mo/yr)
27/07/2016



11-December-2023

Unirac
1411 Broadway Blvd. NE
Albuquerque, NM 87101
Tel: 505 242 6411

Attn.: Engineering Department

Subject: Engineering Certification for the Unirac SOLARMOUNT Flush Rail System to Support Photovoltaic Panels.

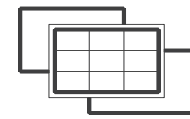
The Unirac SOLARMOUNT Flush-to-Roof is an extruded aluminum rail system that is engineered to hold most framed solar modules to a roof structure and installed parallel to the roof.

We have reviewed the SOLARMOUNT system, a proprietary mounting system constructed from modular parts which are intended for rooftop installation of solar photovoltaic (PV) panels; and have reviewed the U-Builder 2.0 Online tool. This U-Builder 2.0 software includes analysis for the SOLARMOUNT rails (SM LIGHT rail, SM STANDARD rail, and SM HEAVY DUTY rail) with Standard, Universal AF, and Pro Series hardware. All information, data, and analysis are in compliance with the following codes, city ordinances, and typical specifications:

- Codes:**
1. 2018 North Carolina State Building Code.
 2. ASCE/SEI 7-10 Minimum Design Loads for Buildings and Other Structures.
 3. International Building Code, 2015 Edition w/ Provisions from SEAOC PV-2 2017.
 4. International Residential Code, 2015 Edition w/ Provisions from SEAOC PV-2 2017.
 5. AC428, Acceptance Criteria for Modular Framing Systems Used to Support Photovoltaic (PV) Panels, November 1, 2012 by ICC-ES.
 6. Aluminum Design Manual, 2015 & 2020 Edition.

Following are typical specifications to meet the above code requirements:

- Design Criteria:** Ground Snow Load = 0 - 100 (psf)
Basic Wind Speed = 85 - 190 (mph)
Roof Mean Height = 0 - 60 (ft)
Roof Pitch = 0 - 45 (degrees)
Exposure Category = B, C & D
- Attachment:** **Shingle Roof:** L-Foot, Flashkit Pro, Flashloc Comp, Flashloc Duo, Flashkit Pro SB
Metal Roof: Standing Seam attachments, PM-9000S, PM Adjust Slotted
Tile Roofs: Solar Hooks, Tile Replacement
- Attachment Spacing:** Per U-Builder 2.0 Engineering report.
- Cantilever:** The maximum cantilever length is L/3, where "L" is the span noted in the U-Builder 2.0 online tool.
- Clearance:** 2" to 10" clear from top of roof to top of PV panel
- Tolerance(s):** 1.0" tolerance for any specified dimension in this report is allowed for installation



Installation Orientation: See SOLARMOUNT Rail Flush Installation Guide.
Landscape - PV Panel long dimension is parallel to ridge/eave line of the roof and the PV panel is mounted on the long side.
Portrait - PV Panel short dimension is parallel to ridge/eave line of the roof and the PV panel is mounted on the short side.

Components and Cladding Roof Zones:

The Components and Cladding Roof Zones shall be determined based on ASCE/SEI 7-10 Component and Cladding design.

- Notes:**
1. U-Builder 2.0 Online tool analysis is only for Unirac SM SOLARMOUNT Rail Flush systems and do not include roof capacity check.
 2. Risk Category II per ASCE 7-10.
 3. Topographic factor, kzt is 1.0.
 4. Array Edge Factor $Y_E = 1.5$
 5. Average parapet height is 0.0 ft.
 6. Wind speeds are LRFD values.
 7. Attachment spacing(s) apply to a seismic design category E or less.

Design Responsibility:

The U-Builder 2.0 design software is intended to be used under the responsible charge of a registered design professional where required by the authority having jurisdiction. In all cases, this U-Builder 2.0 software should be used under the direction of a design professional with sufficient structural engineering knowledge and experience to be able to:

- Evaluate whether the U-Builder 2.0 Software is applicable to the project, and
- Understand and determine the appropriate values for all input parameters of the U-Builder 2.0 software.

This letter certifies that the Unirac SM SOLARMOUNT Rails Flush, when installed according to the U-Builder 2.0 engineering report and the manufacturer specifications are in compliance with the above codes and loading criteria.

This certification excludes evaluation of the following components:

- 1) The structure to support the loads imposed on the building by the array; including, but not limited to: strength and deflection of structural framing members, fastening and/or strength of roofing materials, and/or the effects of snow accumulation on the structure.
- 2) The attachment of the SM SOLARMOUNT Rails to the existing structure.
- 3) The capacity of the solar module frame to resist the loads.

This requires additional knowledge of the building and is outside the scope of the certification of this racking system.

Please feel free to call or email for any questions or clarifications.

Prepared By:
Engineering Alliance, Inc
Sugar Land, TX



11-DEC-2023
Engineering Alliance, Inc
NC Firm Reg. # C-4982