

Project Details			
<b>Name</b>	Patricia Scardino	<b>Date</b>	10/19/2023
<b>Location</b>	1591 Oakridge Duncan Road, Fuquay-Varina, NC 27526	<b>Total modules</b>	24
<b>Module</b>	Mission Solar Energy: MSE395SX9R (40mm)	<b>Total watts</b>	9,480
<b>Dimensions</b>	Dimensions: 75.08" x 41.5" x 1.57" (1907.0mm x 1054.0mm x 40.0mm)	<b>Attachments</b>	61
<b>ASCE</b>	7-10	<b>Rails per row</b>	2



System Weight	
<b>Total system weight</b>	1,377.3 lbs
<b>Weight/attachment</b>	22.6 lbs
<b>Racking weight</b>	213.3 lbs
<b>Distributed weight</b>	2.6 psf

Load Assumptions	
<b>Wind exposure</b>	B
<b>Wind speed</b>	120 mph
<b>Ground snow load</b>	15 psf
<b>Attachment spacing portrait</b>	5.3333'
<b>Attachment spacing landscape</b>	5.3333'

Roof Information			
<b>Roof Material Family</b>	Comp Shingle	<b>Roof material</b>	Comp Shingle
<b>Building height</b>	25 ft	<b>Roof attachment</b>	Halo UltraGrip (Rafter attached)
		<b>Staggered attachments</b>	Yes
<b>Roof slope</b>	28 °	<b>Attachment hardware</b>	Square
<b>Risk category</b>	II		
<b>Specific gravity</b>	0.42		

Span Details XR10 - Portrait			
Zone	Max span	Max cantilever	
1	5' 7"	2' 3"	
2	5' 7"	2' 3"	
3	5' 7"	2' 3"	

**Reaction Forces XR10 - Portrait**

Zone	Uplift (PSF)	Down (lbs)	Uplift (lbs)	Lateral Par (lbs)	Lateral Perp (lbs)
1	12.8	289	187	92	4
2	15.5	289	231	92	4
3	15.5	289	231	92	4

**Attachment Span Details Halo UltraGrip (Rafter attached) - Portrait**

Zone	Max attachment span
1	5' 7"
2	5' 7"
3	5' 7"

**\*Optional - Attachment Span Details Halo UltraGrip (Deck attached) - Portrait**

Zone	Max attachment span
1	4' 2"
2	4' 2"
3	4' 2"

\* Based on minimum 7/16" sheathing thickness

**Span Details XR10 - Landscape**

Zone	Max span	Max cantilever
1	7' 4"	2' 11"
2	7' 4"	2' 11"
3	7' 4"	2' 11"

**Reaction Forces XR10 - Landscape**

Zone	Uplift (PSF)	Down (lbs)	Uplift (lbs)	Lateral Par (lbs)	Lateral Perp (lbs)
1	12.8	160	105	51	2
2	15.5	160	129	51	2
3	15.5	160	129	51	2

**Attachment Span Details Halo UltraGrip (Rafter attached) - Landscape**

Zone	Max attachment span
1	7' 4"
2	7' 4"
3	7' 4"

**\*Optional - Attachment Span Details Halo UltraGrip (Deck attached) - Landscape**

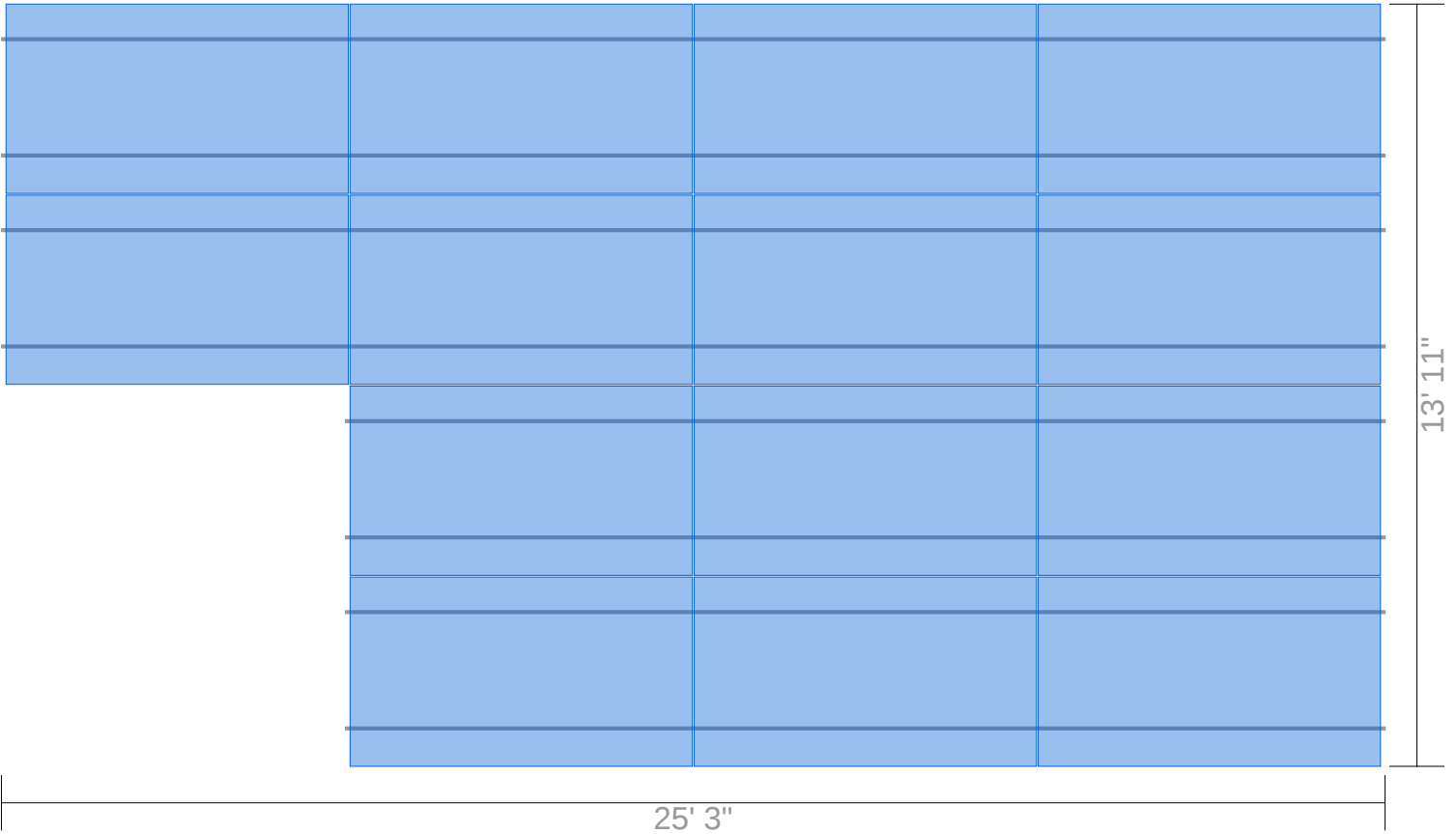
Zone	Max attachment span
1	7' 4"
2	7' 4"
3	7' 4"

\* Based on minimum 7/16" sheathing thickness

**Roof Section 1**

Details		Weights
Panels: 14	Provided rail: 224' [16 x 168"]	Total weight: 812.0 lbs
Rail orientation: East-West	Attachments: 40	Weight/attachment: 20.3 lbs
Panel orientation: Landscape	Splices: 8	Total Area: 307.7 sq ft
Entry type: Graphical	Clamps: 36	Distributed weight: 2.6 psf

**Diagram**



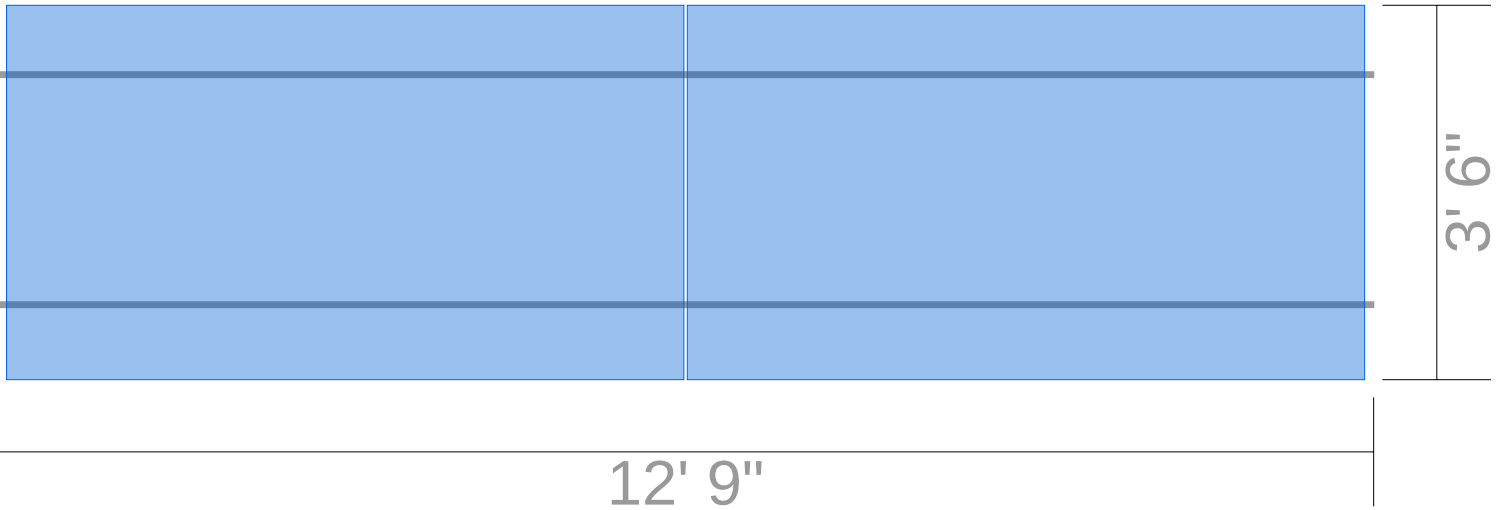
**Segments**

Identifier	Columns	Row length	Rail length	Cantilever	Rail	Attachments	Splices	Clamps
A	4	25' 3"	25' 3"	2'	56' [4 x 168"]	11	2	10
<b>Row segment totals (x 2) →</b>					<b>112' [8 x 168"]</b>	<b>22</b>	<b>4</b>	<b>20</b>
B	3	19'	19'	1' 6"	56' [4 x 168"]	9	2	8
<b>Row segment totals (x 2) →</b>					<b>112' [8 x 168"]</b>	<b>18</b>	<b>4</b>	<b>16</b>

### Roof Section 2

Details		Weights
Panels: 2	Provided rail: 28' [2 x 168"]	Total weight: 115.0 lbs
Rail orientation: East-West	Attachments: 7	Weight/attachment: 16.4 lbs
Panel orientation: Landscape	Splices: 0	Total Area: 44.0 sq ft
Entry type: Graphical	Clamps: 6	Distributed weight: 2.6 psf

### Diagram



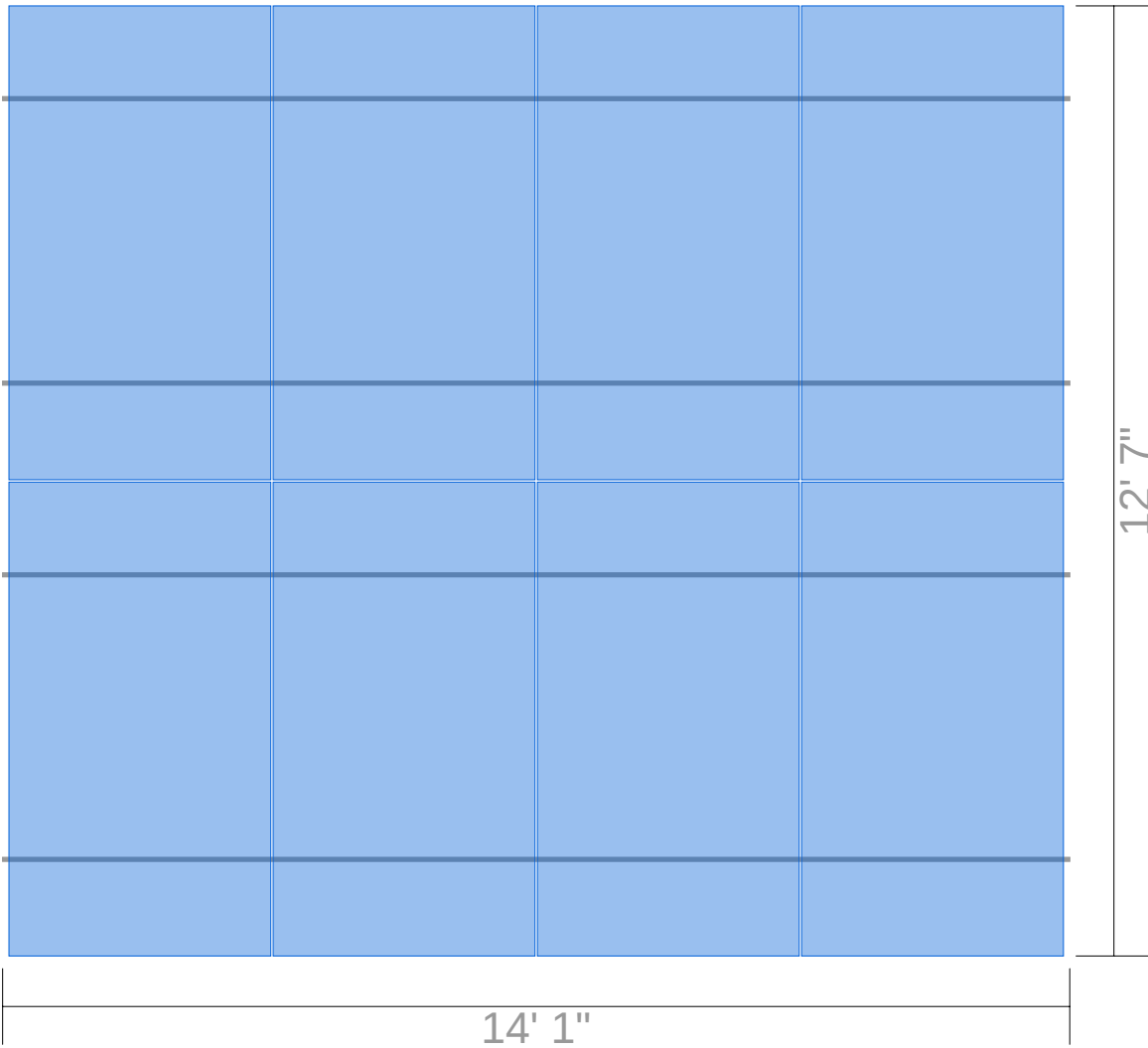
### Segments

Identifier	Columns	Row length	Rail length	Cantilever	Rail	Attachments	Splices	Clamps
A	2	12' 9"	12' 9"	1'	28' [2 x 168"]	7	0	6

**Roof Section 3**

Details		Weights
Panels: 8	Provided rail: 112' [8 x 168"]	Total weight: 450.4 lbs
Rail orientation: East-West	Attachments: 14	Weight/attachment: 32.2 lbs
Panel orientation: Portrait	Splices: 4	Total Area: 176.8 sq ft
Entry type: Graphical	Clamps: 20	Distributed weight: 2.5 psf

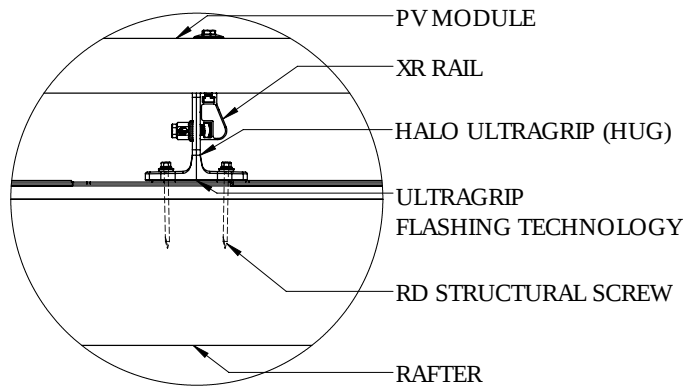
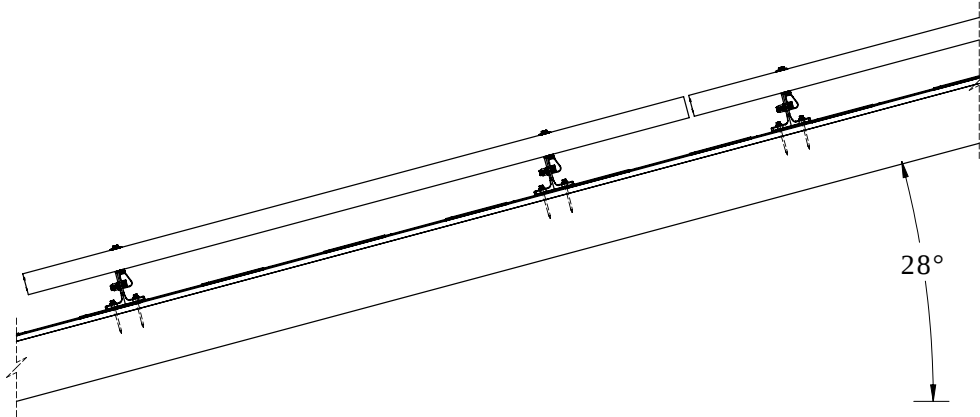
**Diagram**



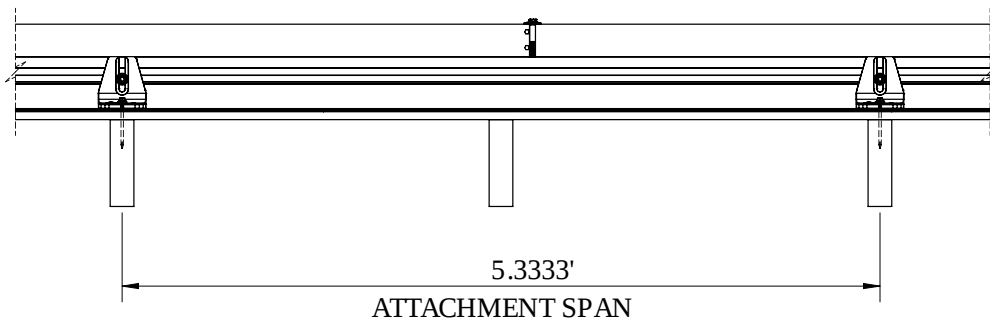
**Segments**

Identifier	Columns	Row length	Rail length	Cantilever	Rail	Attachments	Splices	Clamps	
A	4	14' 1"	14' 1"	1' 9"	56' [4 x 168"]	7	2	10	
					<b>Row segment totals (x 2) →</b>	<b>112' [8 x 168"]</b>	<b>14</b>	<b>4</b>	<b>20</b>

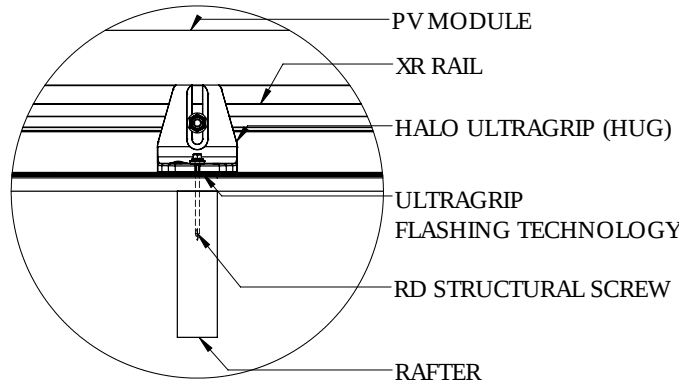
Side View (portrait)



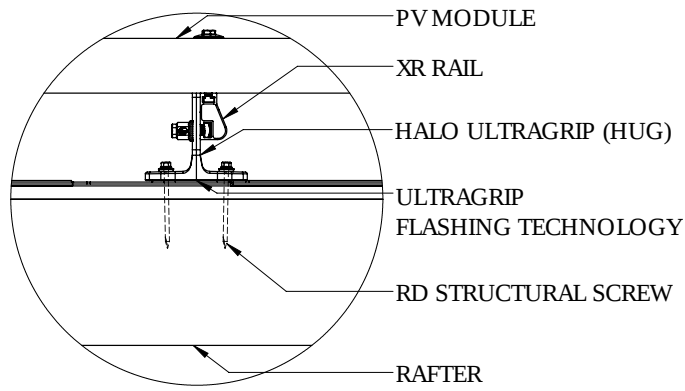
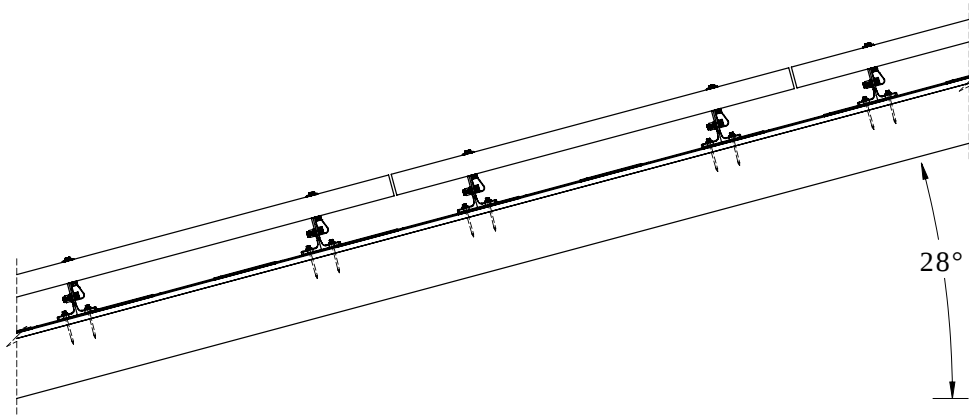
Front View (portrait)



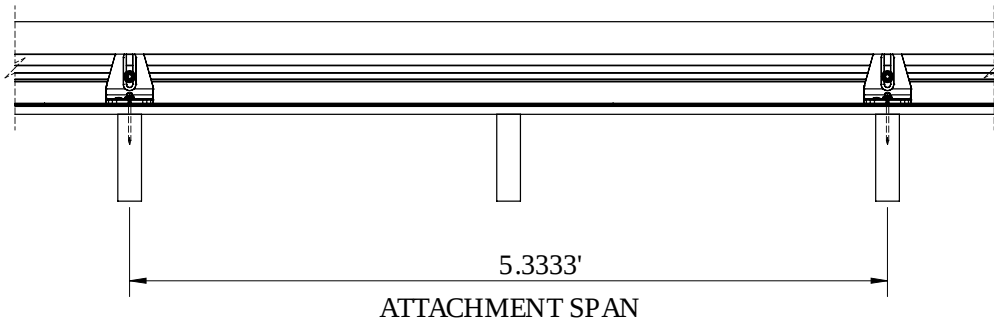
Front View (portrait)



Side View (landscape)

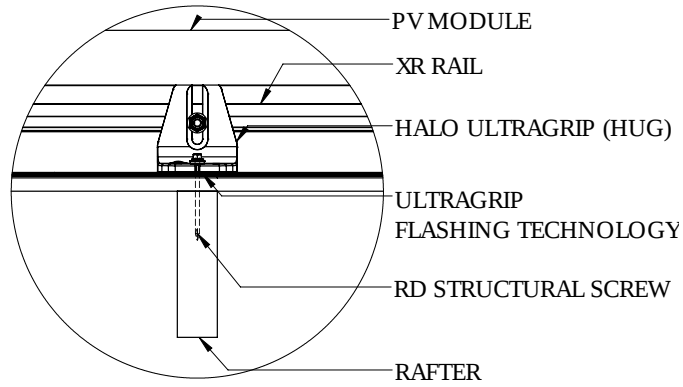


Front View (landscape)

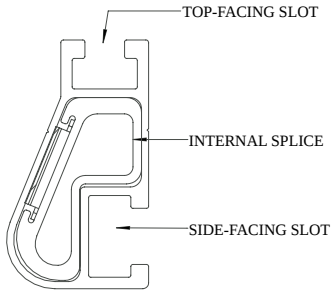




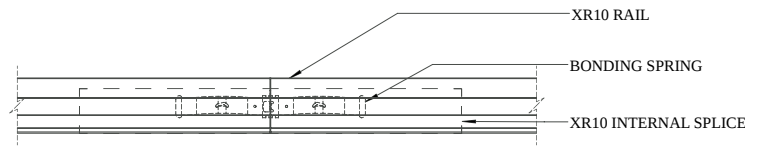
**Front View (landscape)**



**Splice Details**

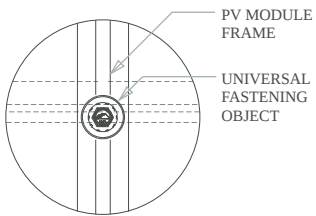


**XR10**

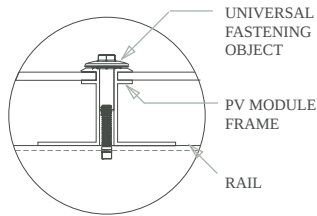


**Splice Connection**

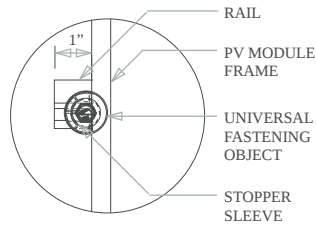
**Clamp Detail**



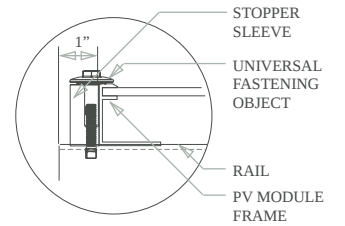
**Mid Clamp, Plan**



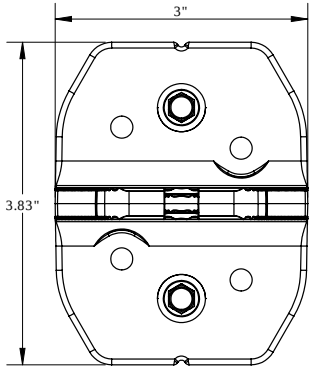
**Mid Clamp, Front**



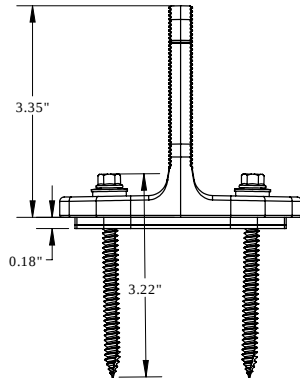
**End Clamp, Plan**



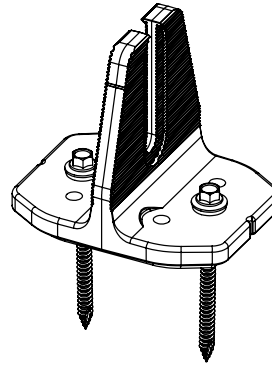
**End Clamp, Front**



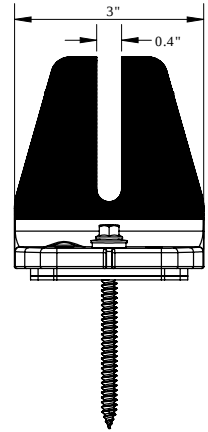
Plan View



Side View

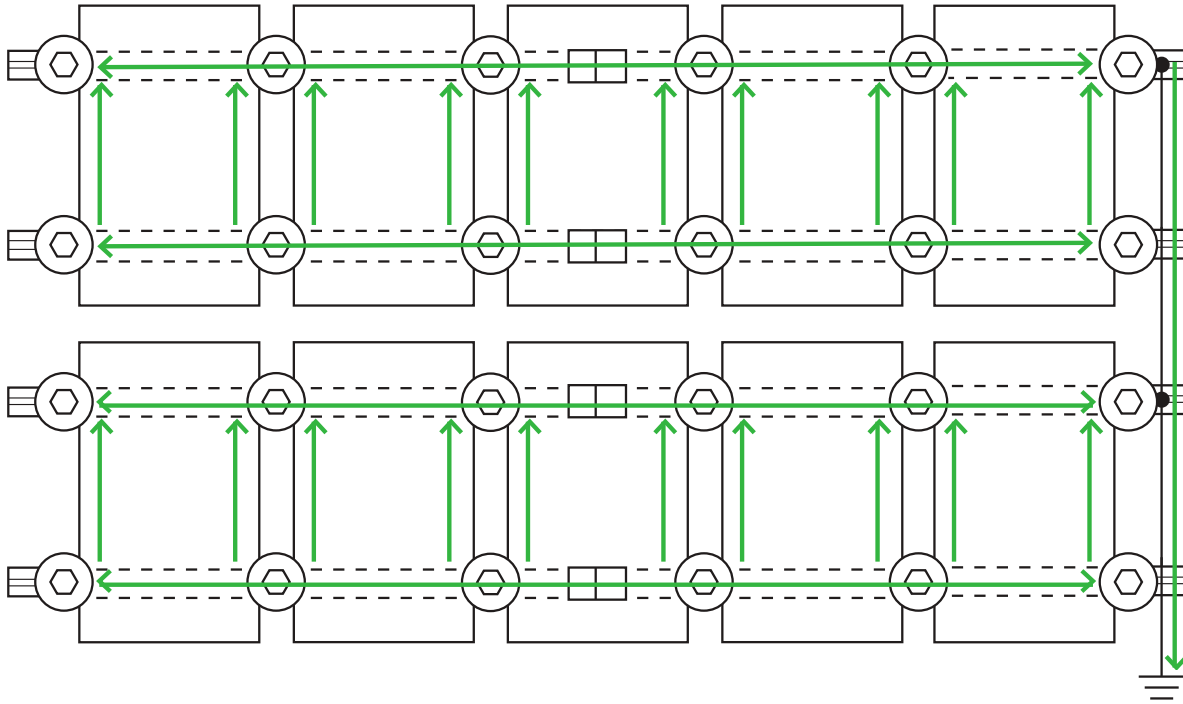


Perspective View





Front View

### Grounding Diagram



 UFO Clamp

 Fault Current Ground Path

 Grounding Lug \*

 Min 10 AWG Copper Wire \*

 Bonded Splice (Rail Connection)

\* Grounding Lugs and Wire are not required in systems using Enphase microinverters.

**Bill of Materials**

Part	Spares	Total Qty
<b>Rails &amp; Splices</b>		
XR-10-168A XR10, Rail 168" Clear	0	26
XR10-BOSS-01-M1 Bonded Splice, XR10	0	12
<b>Clamps &amp; Grounding</b>		
UFO-CL-01-A1 Universal Module Clamp, Clear	0	62
UFO-STP-40MM-M1 Stopper Sleeve, 40MM, Mill	0	28
XR-LUG-03-A1 Grounding Lug, Low Profile	0	7
<b>Attachments</b>		
QM-HUG-01-M1 Halo UltraGrip, Mill	0	61
HW-RD1430-01-M1 RD Structural Screw, 3.0L <b>* Add desired additional screws by adjusting spares column.</b>	0	122
BHW-SQ-02-A1 Square-Bolt Bonding Hardware	0	61

# ATTACHMENTS

## PRE-INSTALLATION

- Verify module compatibility. See [Page 21](#) for info.

## TOOLS REQUIRED

- |                                 |                       |
|---------------------------------|-----------------------|
| □ Cordless Drill (non-impact)   | □ 3/8" Socket         |
| □ Impact Driver (for lag bolts) | □ 1/8" Drill Bit      |
| □ Torque Wrench (0-250 in-lbs)  | □ 1/4" Drill Bit      |
| □ 7/16" Socket                  | □ T30 Bit             |
| □ 1/2" Socket                   | □ Channel Lock Pliers |
| □ 9/16" Socket                  | □ #3 Phillips Bit     |
| □ 7/32" Drill Bit               | □ 3/16" Hex Bit       |

## BONDING HARDWARE TORQUE VALUES

Please refer to each attachment's individual section for full details on all torque values and instructions.

- 3/8" Bonding Hardware Nuts (7/16" Socket): 250 in-lbs
- All Tile Hook Carriage Bolts (7/16" Socket): 132 in-lbs
- Flat Roof Attachment Nuts (9/16" Socket): 250 in-lbs
- Lynx Set Screw (3/16" Hex Drive): 150 in-lbs
- Lynx Flange Nut (1/2" Socket): 150 in-lbs

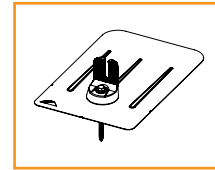
➤ If using previous version of Integrated Grounding Mid Clamps, End Clamps, Expansion Joints and for a list of approved 3rd party components please refer to Alternate Components Addendum (Version 1.9)

## ATTACHMENTS

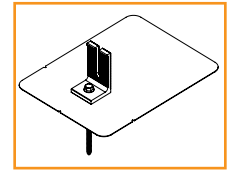
### COMPOSITION SHINGLE



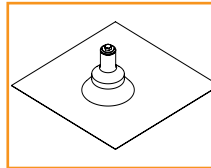
FlashFoot2



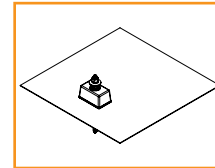
FlashVue



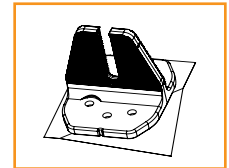
QM L-Mount



QM QBase

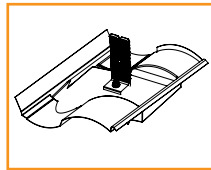


QM Classic Comp Mount

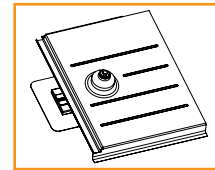


HUG (Halo UltraGrip)

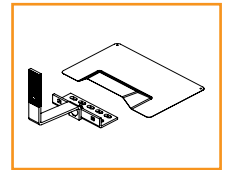
### TILE



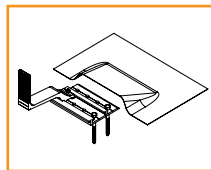
Knockout Tile



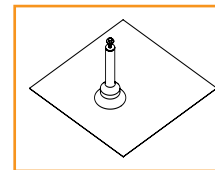
QM Tile Replacement



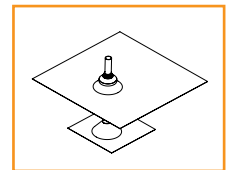
All Tile Hook and Flashing (optional)



QM Quick Hook and Flashing (optional)

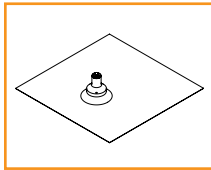


QM QBase Tile

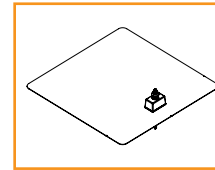


QM Tile Conduit Penetration

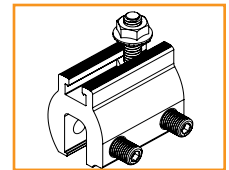
### ADDITIONAL ROOF TYPES



QM Qbase Shake - Slate - Metal Shingle

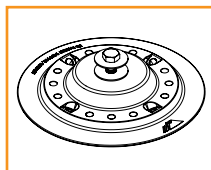


QM Classic Mount Shake

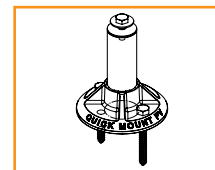


QM Lynx Metal Roof Attachment

### LOW SLOPE ROOF



Flat Roof Attachment



QM QBase Mount

# COMPONENTS

## PRE-INSTALLATION

- ❑ Verify module compatibility. See [Page 21](#) for info.

## TOOLS REQUIRED

- ❑ Cordless Drill (non-impact)
- ❑ Impact Driver (for lag bolts)
- ❑ Torque Wrench (0-250 in-lbs)
- ❑ 7/16" Socket
- ❑ 1/2" Socket
- ❑ 9/16" Socket
- ❑ 7/32" Drill bit
- ❑ 1/8" Drill bit
- ❑ 1/4" Drill bit
- ❑ T30 Torx Bit
- ❑ Channel Lock Pliers
- ❑ #3 Phillips Bit
- ❑ Paddle Bit

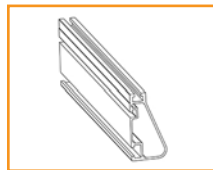
## BONDING HARDWARE TORQUE VALUES

Please refer to each attachment's individual section for full details on all torque values and instructions.

- ❑ Universal Fastening Object (7/16" Socket): 80 in-lbs
- ❑ Rail Grounding Lug Nut (7/16" Socket): 80 in-lbs
- ❑ Module Grounding Lug
  - ❑ Grounding Nut (7/16" Socket): 60 in-lbs
  - ❑ Grounding Lug Terminal Screws (7/16" Socket): 20 in-lbs
- ❑ Microinverter Kit Nuts (7/16" Socket): 80 in-lbs
- ❑ Frameless Module Kit Nuts (7/16" Socket): 80 in-lbs
- ❑ 3/8" Bonding Hardware Nuts (7/16" Socket): 250 in-lbs
- ❑ Contour Clamp (T-30 Torx Bit): 80 in-lbs

➤ Unless otherwise noted, all components have been evaluated for multiple use. They can be uninstalled and reinstalled in the same or new location.

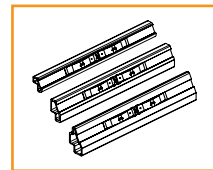
## COMPONENTS



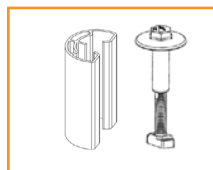
XR Rail



Wire Clip



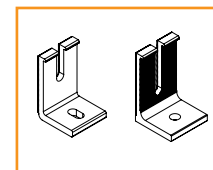
BOSS



UFO and Stopper Sleeve (30-46MM)



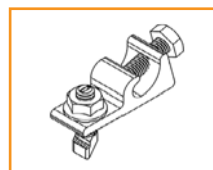
CAMO



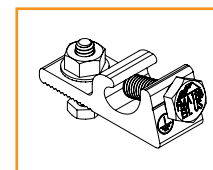
Ironridge L-Foot and QM L-Foot



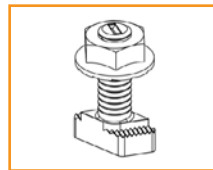
End Cap



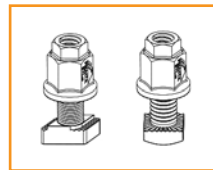
Rail Grounding Lug



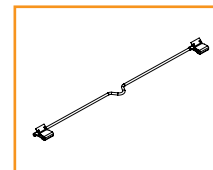
Module Grounding Lug



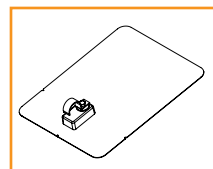
Microinverter Kit



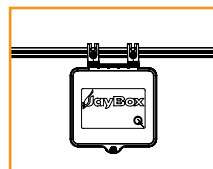
3/8" Bonding Hardware



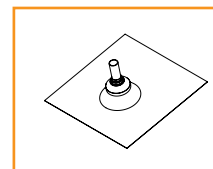
8" Bonding Jumper Single Use Only



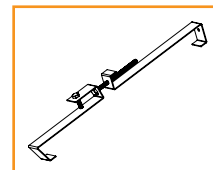
QM Classic Conduit Comp Mount



JAYBOX



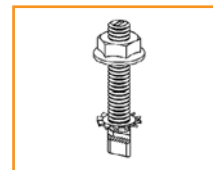
QM Composition Conduit Penetration



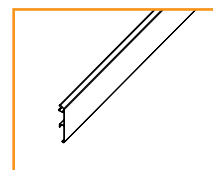
QM Tile Conduit Mount



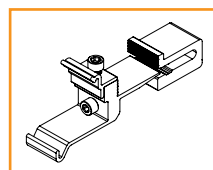
Frameless End/Mid Clamp



Frameless Module Kit



Contour Trim



Contour Clamp

**Rail: XR10** Flush Mount System Span Table (inches) - Portrait or Landscape Installation  
 Max Module Length: 78.5", Max Module SF: 24 SF  
 Exposure B

Wind Speed (mph)	Roof Slope (deg.)	Ground Snow: 0 psf			10 psf			20 psf			30 psf			40 psf			50 psf			60 psf			70 psf*			80 psf*			90 psf*			100 psf*			110 psf*			120 psf*		
		Zone 1	Zone 2	Zone 3	Zone 1	Zone 2	Zone 3	Zone 1	Zone 2	Zone 3	Zone 1	Zone 2	Zone 3	Zone 1	Zone 2	Zone 3	Zone 1	Zone 2	Zone 3	Zone 1	Zone 2	Zone 3	Zone 1	Zone 2	Zone 3	Zone 1	Zone 2	Zone 3	Zone 1	Zone 2	Zone 3	Zone 1	Zone 2	Zone 3	Zone 1	Zone 2	Zone 3			
110 mph	8-27	84	75	61	72	72	61	61	61	61	60	60	60	54	54	54	49	49	49	45	45	45	42	42	42	40	40	40	38	38	38	36	36	36	34	34	34	33	33	33
	28-45	84	84	84	72	72	72	60	60	60	60	60	60	55	55	55	52	52	52	49	49	49	48	48	48	43	43	43	41	41	41	39	39	39	37	37	37	36	36	36
115 mph	8-27	84	72	58	72	72	58	61	61	58	60	60	58	54	54	54	49	49	49	45	45	45	42	42	42	40	40	40	38	38	38	36	36	36	34	34	34	33	33	33
	28-45	81	81	81	72	72	72	60	60	60	60	60	60	55	55	55	52	52	52	49	49	49	48	48	48	43	43	43	41	41	41	39	39	39	37	37	37	36	36	36
120 mph	8-27	84	72	56	72	72	56	61	61	56	60	60	56	54	54	54	49	49	49	45	45	45	42	42	42	40	40	40	38	38	38	36	36	36	34	34	34	33	33	33
	28-45	79	78	78	72	72	72	60	60	60	60	60	60	55	55	55	52	52	52	49	49	49	48	48	48	43	43	43	41	41	41	39	39	39	37	37	37	36	36	36
130 mph	8-27	83	64	51	72	64	51	61	61	51	60	60	51	54	54	51	49	49	49	45	45	45	42	42	42	40	40	40	38	38	38	36	36	36	34	34	34	33	33	33
	28-45	75	73	73	72	69	69	60	60	60	60	60	60	55	55	55	52	52	52	49	49	49	48	48	48	43	43	43	41	41	41	39	39	39	37	37	37	36	36	36
140 mph	8-27	81	59	48	72	59	48	61	59	48	60	59	48	54	54	48	49	49	48	45	45	45	42	42	42	40	40	40	38	38	38	36	36	36	34	34	34	33	33	33
	28-45	72	68	68	67	67	67	59	59	59	58	58	58	54	54	54	51	51	51	48	48	48	48	48	48	43	43	43	41	41	41	39	39	39	37	37	37	36	36	36
150 mph	8-27	75	55	44	72	55	44	61	55	44	60	55	44	54	54	44	49	49	44	45	45	44	42	42	42	40	40	40	38	38	38	36	36	36	34	34	34	33	33	33
	28-45	67	64	64	65	64	64	57	57	57	57	57	57	53	53	53	50	50	50	48	48	48	45	45	45	43	43	43	41	41	41	39	39	39	37	37	37	36	36	36
160 mph	8-27	72	52	42	72	52	42	60	52	42	59	52	42	54	52	42	49	49	42	45	45	42	42	42	40	40	40	38	38	38	36	36	36	34	34	34	33	33	33	
	28-45	64	60	60	64	60	60	56	56	56	55	55	55	52	52	52	49	49	49	48	48	48	44	44	44	42	42	42	41	41	41	39	39	39	37	37	37	36	36	36
170 mph	8-27	67	48	39	67	48	39	59	48	39	58	48	39	53	48	39	49	48	39	45	45	39	42	42	39	40	40	39	38	38	38	36	36	36	34	34	34	33	33	33
	28-45	61	56	56	60	56	56	54	54	54	53	53	53	50	50	50	48	48	48	45	45	45	43	43	43	42	42	42	40	40	40	39	39	39	37	37	37	36	36	36
180 mph	8-27	64	48	37	64	48	37	58	48	37	57	48	37	52	48	37	49	48	37	45	45	37	42	42	37	40	40	37	38	38	37	36	36	36	34	34	34	33	33	33
	28-45	58	53	53	58	53	53	52	52	52	52	52	52	49	49	49	48	48	48	44	44	44	43	43	43	41	41	41	40	40	40	38	38	38	37	37	37	36	36	36

  = min 72" span    
   = min 64" span    
   = min 48" span    
 \* = Note: additional installation requirement for CAMO module clamp. See Note 12 on Page 3 for details.    
 REV 03/05/2021

  = Shaded cells indicate conditions in which UFO Mid Clamp connection capacity is exceeded. See Note 10 on page 2 for details.