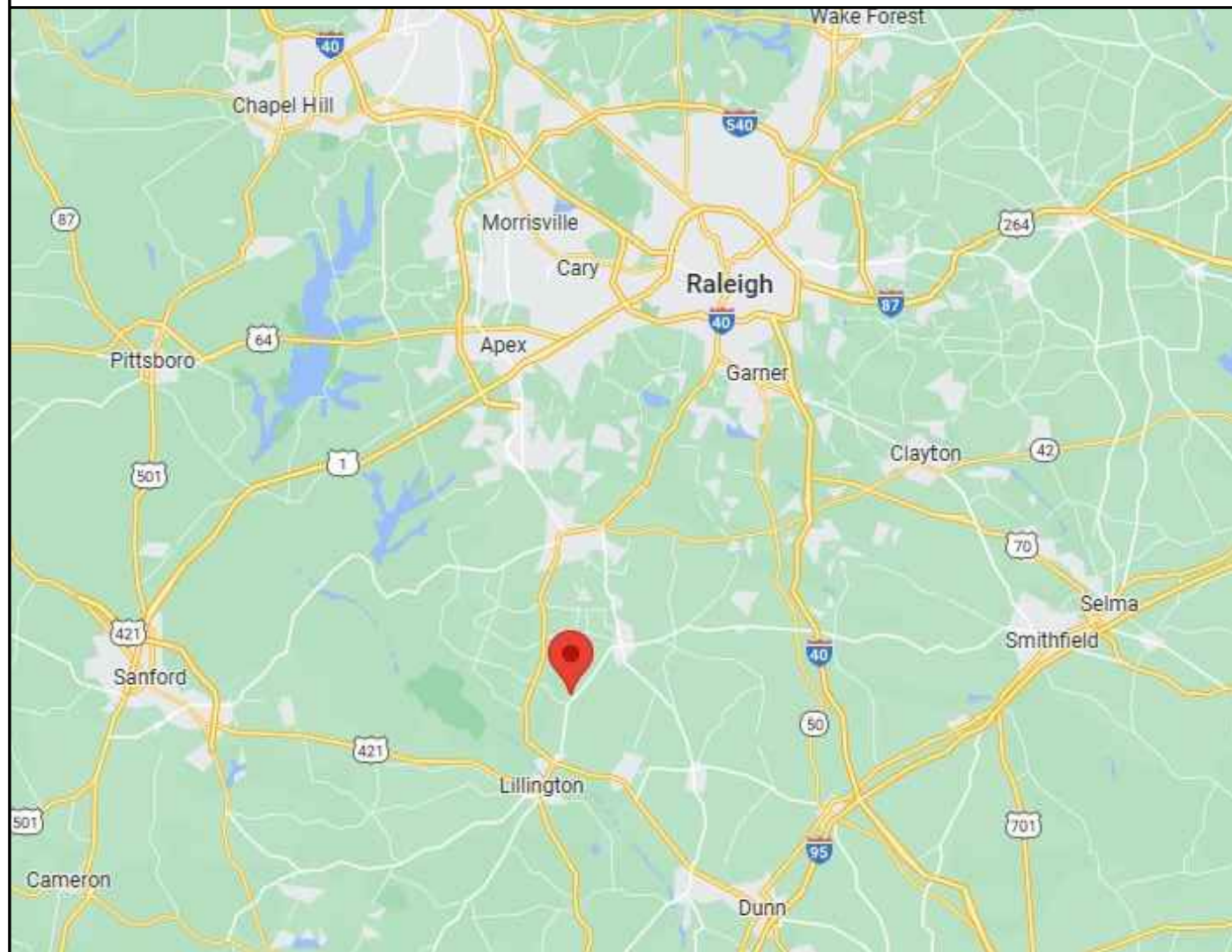
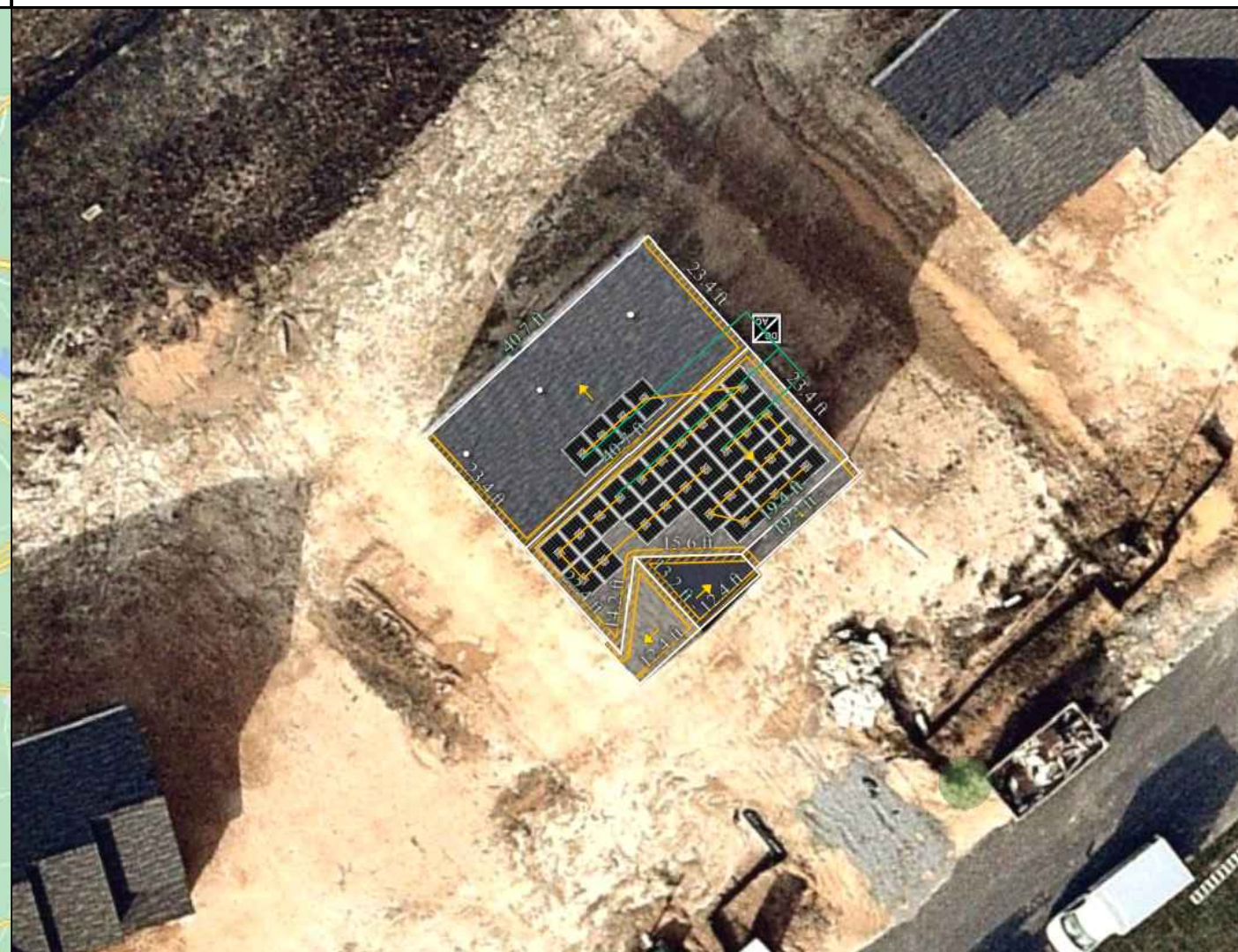


### VICINITY MAP



### PROPERTY MAP



ENGINEER:

**MODEL ENERGY**  
 300 FAYETTEVILLE ST.  
 #1430  
 RALEIGH, NC 27602  
 919-274-9905  
 MODELENERGY.COM  
 P-1194

JOB TITLE:  
**NEW SOLAR PV SYSTEM**  
 12.400 kW DC INPUT  
 10.000 kW AC EXPORT  
 Jimmy Barcia  
 234 Chedworth Dr,  
 Angier, NC 27501

© 2023 MODEL ENERGY, PLLC EXPRESSLY RESERVES ITS COMMON LAW COPYRIGHT AND OTHER PROPERTY RIGHTS IN THESE PLANS. THESE PLANS ARE NOT TO BE REPRODUCED, CHANGED OR COPIED IN ANY FORM OR MANNER WHATSOEVER, NOR ARE THEY TO BE ASSIGNED TO ANY THIRD PARTY WITHOUT FIRST OBTAINING THE EXPRESSED WRITTEN PERMISSION AND CONSENT OF MODEL ENERGY, PLLC.

CLIENT:  
**READY SOLAR**

ISSUED FOR:	DATE:
CONSTRUCTION	2/23/2023

PROJECT INFORMATION  
**PV1.1**

### SCOPE OF WORK

### SITE CONDITION

### SHEET INDEX

(31) FBM400MFG-BB  
 (1) SOLAREEDGE SEI0000H-US  
 ROOF MOUNT: IRONRIDGE FLASHFOOT 2  
 MOUNTING RAILS: IRONRIDGE XR10

ASCE 7-10 WIND SPEED - 117 MPH  
 EXPOSURE CATEGORY - B  
 RISK CATEGORY - II  
 SNOW LOAD - 15 LBS/SQFT

PVI.1	PROJECT INFORMATION
PV2.1	SITE INFORMATION
PV3.1	STRUCTURAL INFORMATION
PV4.1 - 4.2	ELECTRICAL INFORMATION
PV5.1 - 5.5	LABELS, DETAILS & SPECS

### INTERCONNECTIONS TYPE

### CODE REFERENCES

### UTILITY COMPANY

SUPPLY SIDE TAP

2017 NATIONAL ELECTRIC CODE  
 2018 NORTH CAROLINA FIRE CODE  
 2018 NORTH CAROLINA BUILDING CODE  
 2018 NORTH CAROLINA RESIDENTIAL CODE

DUKE ENERGY

### LEGEND

- DISCONNECT SWITCH
- FUSE
- CIRCUIT BREAKER
- EQUIP. GROUND

ENGINEER:



**MODEL ENERGY**  
300 FAYETTEVILLE ST.  
#1430  
RALEIGH, NC 27602  
919-274-9905  
MODELENERGY.COM  
P-1194

JOB TITLE:

**NEW SOLAR PV SYSTEM**

12.400 kW DC INPUT  
10.000 kW AC EXPORT

Jimmy Barcia  
234 Chedworth Dr,  
Angier, NC 27501

© 2023 MODEL ENERGY, PLLC EXPRESSLY RESERVES ITS COMMON LAW COPYRIGHT AND OTHER PROPERTY RIGHTS IN THESE PLANS. THESE PLANS ARE NOT TO BE REPRODUCED, CHANGED OR COPIED IN ANY FORM OR MANNER WHATSOEVER, NOR ARE THEY TO BE ASSIGNED TO ANY THIRD PARTY WITHOUT FIRST OBTAINING THE EXPRESSED WRITTEN PERMISSION AND CONSENT OF MODEL ENERGY, PLLC.

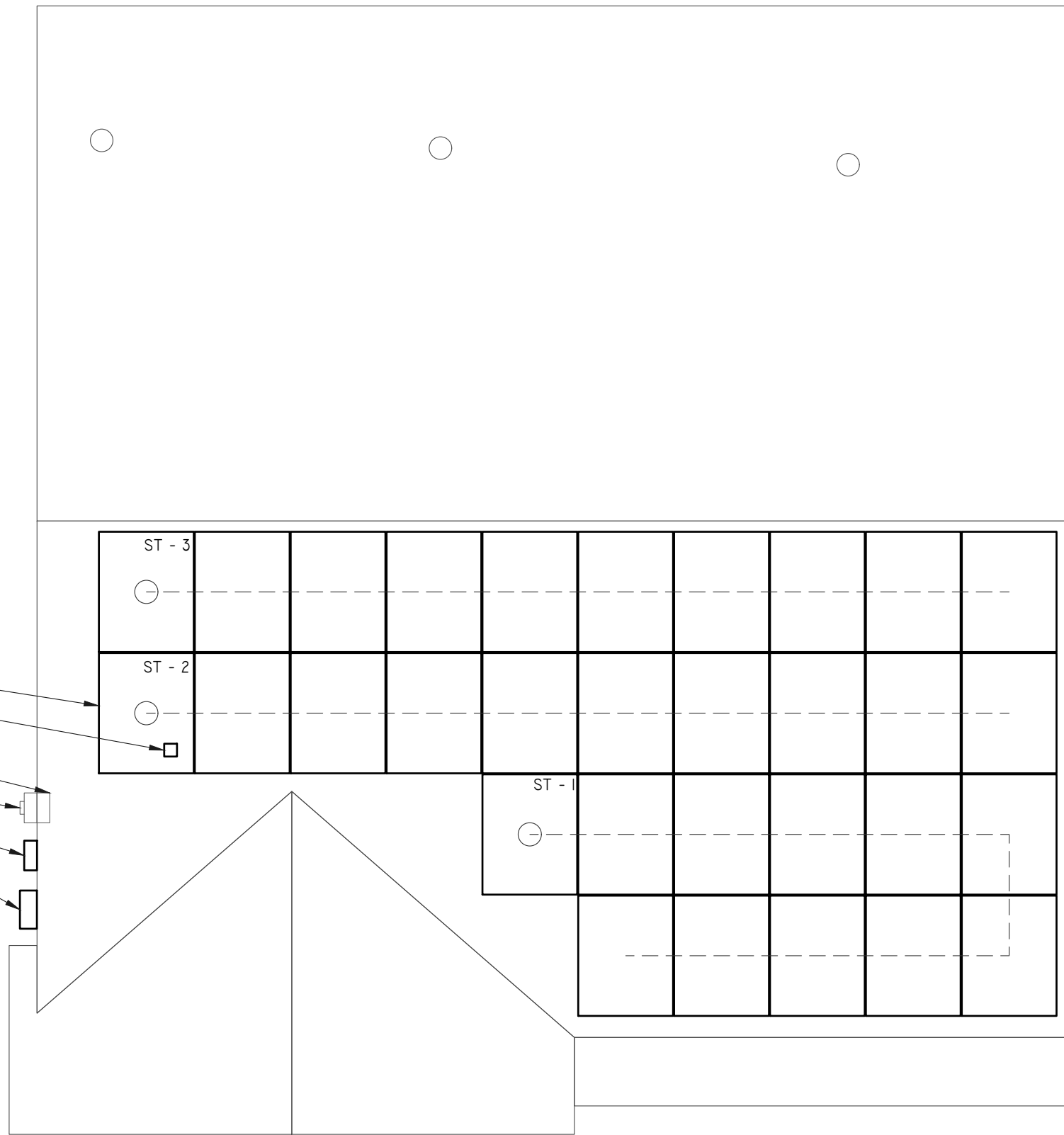
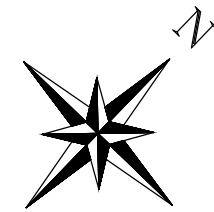
CLIENT:

**READY SOLAR**

ISSUED FOR: CONSTRUCTION      DATE: 2/23/2023

SITE INFORMATION

**PV2.1**

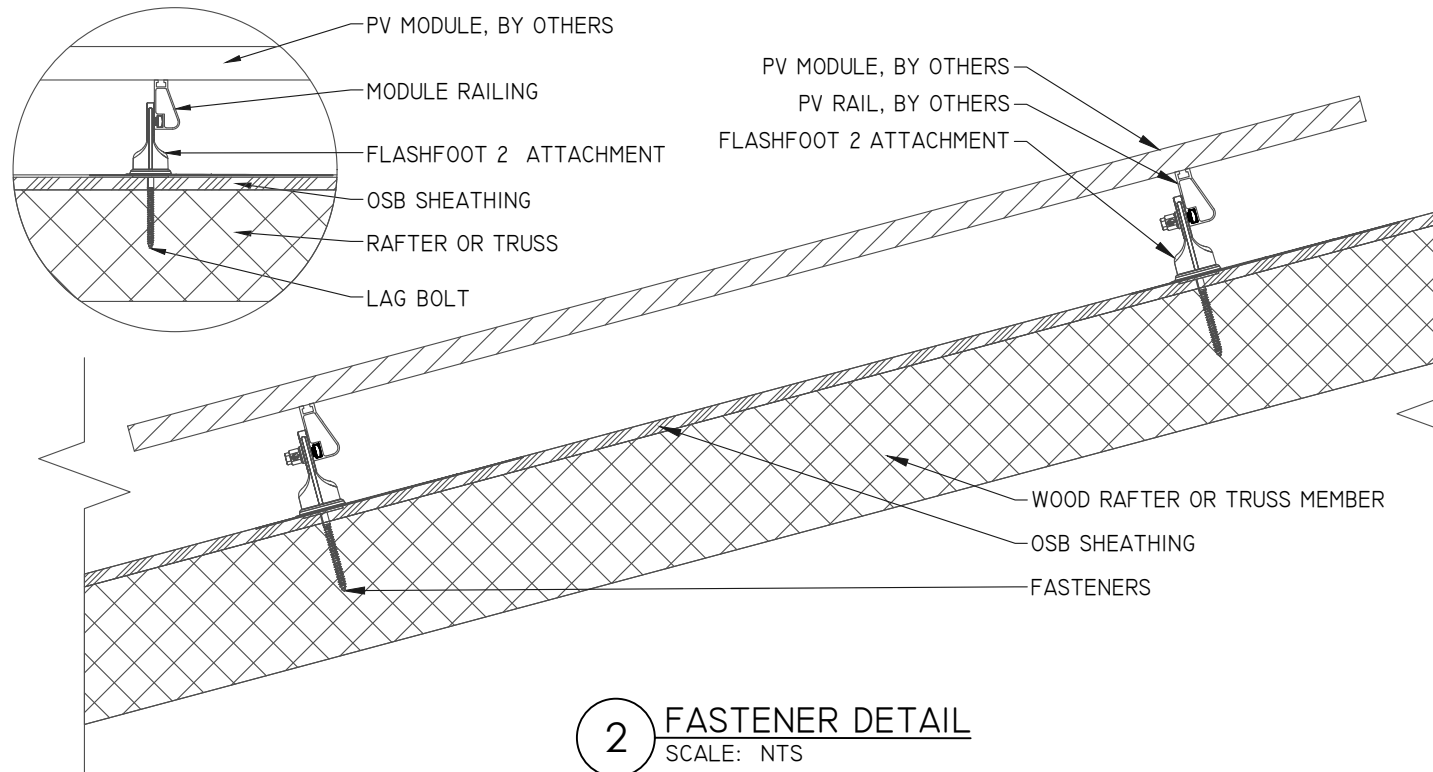


PV MODULE (TYP.)  
JUNCTION BOX  
MD PANEL  
UTILITY METER  
AC DISCONNECT  
DC/AC INVERTER

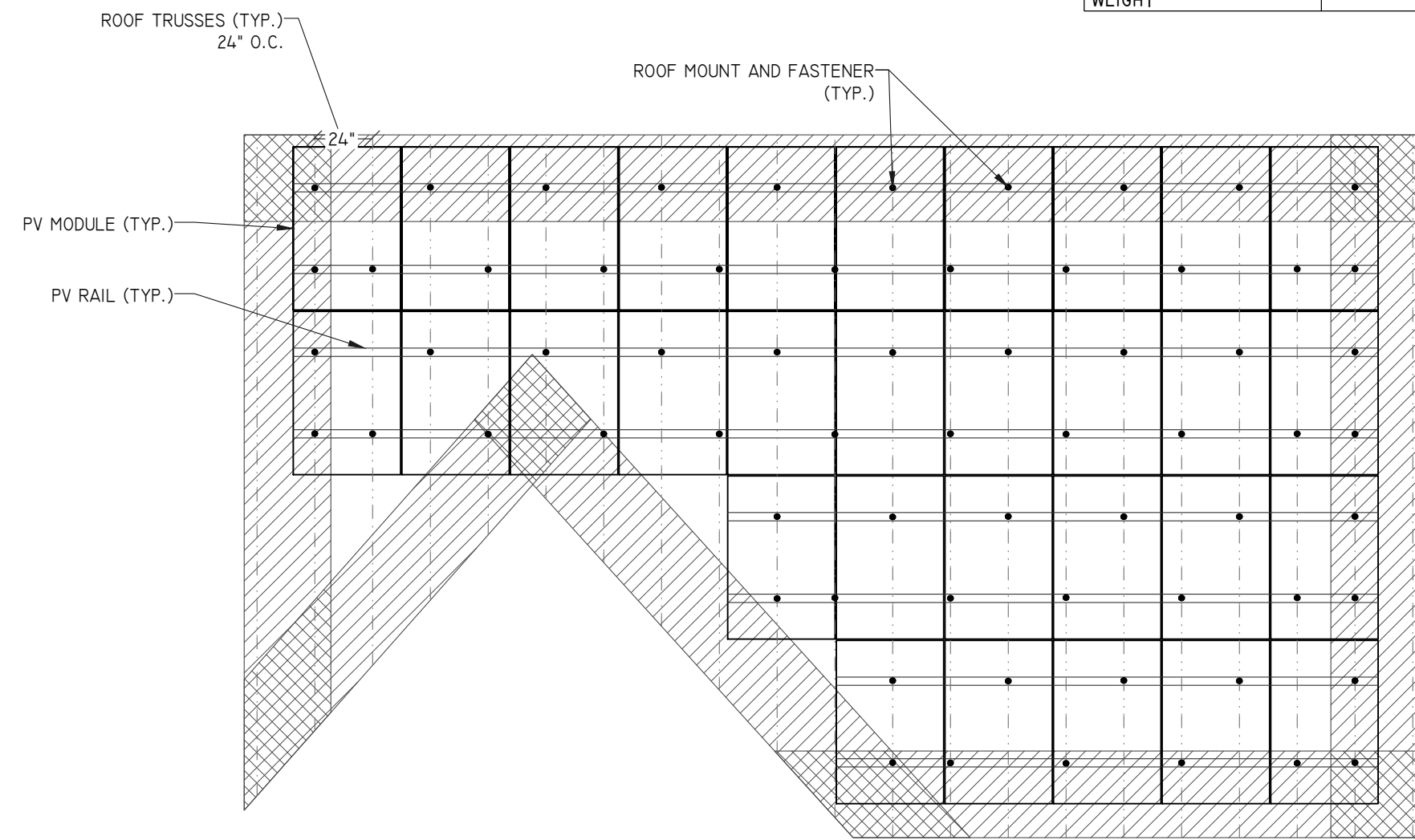
FRONT OF RESIDENCE

NOTE: PROVIDE ADDITIONAL JUNCTION BOXED AS REQUIRED TO COMBINE MODULES ON DIFFERENT ARRAYS INTO A SINGLE STRING

1 SITE PLAN  
SCALE: 3/16" = 1' -0"



**2 FASTENER DETAIL**  
SCALE: NTS



**1 ROOF PLANAR VIEW**  
SCALE: 3/16" = 1' - 0"

ARRAY SUMMARY	
# MODULES	31
# ROOF MOUNTS	49
RAIL LENGTH	238 FT.
ARRAY AREA	651 SQFT.
ARRAY WEIGHT	1781 LBS.
AZIMUTH @ SN	138°
TILT ANGLE	34°

MOUNTING RAILS	
MAKE	IRONRIDGE
MODEL	XR10
MATERIAL	ALUMINUM
WEIGHT	1.25 LBS/SQFT
SPACING	34"

ROOF ZONES:			
ALL ZONES	MAX. RAIL OVERHANG =		16"
□ ZONE 1	MAX. FASTENER SPAN ZONE 1 =		48"
▨ ZONE 2	MAX. FASTENER SPAN ZONE 2 =		48"
▩ ZONE 3	MAX. FASTENER SPAN ZONE 3 =		24"

PV MODULES	
MAKE	URECO
MODEL	FBM4.00MFG-BB
WIDTH	44.6"
LENGTH	67.8"
THICKNESS	1.4"
WEIGHT	4.8 LBS

**STATEMENT OF STRUCTURAL COMPLIANCE**

THE EXISTING ROOF STRUCTURE HAS BEEN DESIGNED TO SUPPORT THE ADDITIONAL LOADS OF THE PURPOSED PV SYSTEM. IN ADDITION, THE RACKING AND FASTENING SYSTEM SHALL BE CAPABLE OF SECURING THE SYSTEM TO THE STRUCTURE UNDER DESIGN CONDITIONS WHEN INSTALLED PROPERLY AND IN ACCORDANCE WITH THE RACKING AND FASTENING ARRANGEMENT DETAILED WITHIN THESE DRAWINGS.

SIGNED: *Andrew W. King*

NAME: ANDREW W. KING, PE

TITLE: PROFESSIONAL ENGINEER

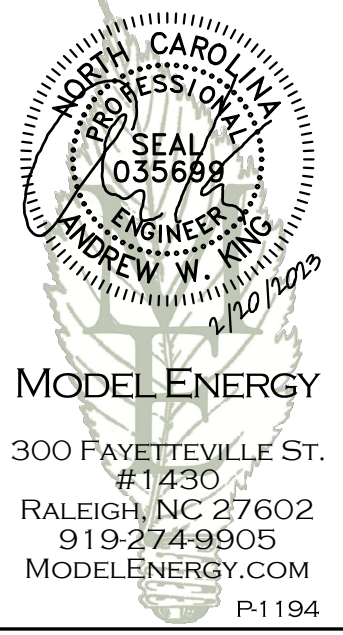
ROOF MOUNT & FASTENER	
ROOF MOUNT:	
MAKE	IRONRIDGE
MODEL	FLASHFOOT2
MATERIAL	ALUMINUM
FASTENER	
MAKE	GENERIC
MODEL	LAG BOLT
MATERIAL	304 SS
SIZE	5/16" X 4"
GENERAL	
WEIGHT	1 LBS
FASTENERS PER MOUNT	1 PER MOUNT
MAX. PULL-OUT FORCE	800 LBS.
SAFETY FACTOR	2
DESIGN PULL-OUT FORCE	400 LBS.

- LAG BOLT EMBEDDED WITH 2.5" OF THREAD IN WOOD RAFTER OR TRUSSES MEMBER

ROOF SUMMARY	
STRUCTURE:	
TYPE	TRUSS
MATERIAL	SOUTHERN PINE #2
SIZE	2" X 4"
SPACING	24"
EFF. SPAN	20'-3"
PITCH	8/12
DENSITY	30 LBS./CU.FT.
DECKING:	
TYPE	OSB
MATERIAL	WOOD COMPOSITE
THICKNESS	7/16
WEIGHT	1.6 LBS./SQFT.
ROOFING:	
TYPE	ARCH SHINGLE
MATERIAL	ASPHALT
WEIGHT	2.3 LBS./SQFT.

ROOF LOADING	
GROUND SNOW LOAD:	15 LBS./SQFT.
LIVE LOAD:	20 LBS./SQFT.
DEAD LOAD:	
ROOFING	3.9 LBS./SQFT.
PV ARRAY	2.5 LBS./SQFT.
TOTAL	6.4 LBS./SQFT.
WIND LOAD:	
UPLIFT ZONE 1	-24.6 LBS/SQFT
UPLIFT ZONE 2	-29.0 LBS/SQFT
UPLIFT ZONE 3	-29.0 LBS/SQFT
DOWNWARD	23.0 LBS/SQFT
FASTENER LOAD:	
UPLIFT ZONE 1	-278 LBS
UPLIFT ZONE 2	-328 LBS
UPLIFT ZONE 3	-164 LBS
DOWNWARD	260 LBS

ENGINEER:



**MODEL ENERGY**  
300 FAYETTEVILLE ST.  
#1430  
RALEIGH, NC 27602  
919-274-9905  
MODELENERGY.COM  
P-1194

JOB TITLE:

**NEW SOLAR PV SYSTEM**

12.400 kW DC INPUT  
10.000 kW AC EXPORT  
  
Jimmy Barcia  
234 Chedworth Dr,  
Angier, NC 27501

© 2023 MODEL ENERGY, PLLC EXPRESSLY RESERVES ITS COMMON LAW COPYRIGHT AND OTHER PROPERTY RIGHTS IN THESE PLANS. THESE PLANS ARE NOT TO BE REPRODUCED, CHANGED OR COPIED IN ANY FORM OR MANNER WHATSOEVER, NOR ARE THEY TO BE ASSIGNED TO ANY THIRD PARTY WITHOUT FIRST OBTAINING THE EXPRESSED WRITTEN PERMISSION AND CONSENT OF MODEL ENERGY, PLLC.

CLIENT:

**READY SOLAR**

ISSUED FOR: CONSTRUCTION  
DATE: 2/23/2023

STRUCTURAL INFORMATION

**PV3.1**

PV MODULES	
MAKE	URECO
MODEL	FBM400MFG-BB
TECHNOLOGY	MONO-CRYST.
NOM. POWER (P <sub>nom</sub> )	400 WATTS
NOM. VOLT. (V <sub>mp</sub> )	31.17 VOLTS
O.C. VOLT. (V <sub>oc</sub> )	37.20 VOLTS
MAX. SYS. VOLT.	1000 V (UL)
TEMP. COEF. (V <sub>tc</sub> )	-0.27 %/°C
NOM. CURR. (I <sub>mp</sub> )	12.84 AMPS
S.C. CURR. (I <sub>sc</sub> )	13.68 AMPS
MAX. SERIES FUSE	30 AMPS

DC/AC INVERTER	
MAKE	SOLAREEDGE
MODEL	SEI0000H-US
TECHNOLOGY	TRANS-LESS
DC INPUT:	
MAX. POWER	15500 WATTS
MAX. VOLT	480 VOLTS
NOM. VOLT.	400 VOLTS
MAX. CURRENT	27 AMPS
MAX. SCC	45 AMPS
STRINGS INPUTS	3 STRINGS
AC OUTPUT:	
RATED POWER	10000 WATTS
MAX. POWER	10000 WATTS
NOM. VOLT.	240 VOLTS
MAX. CURR.	42 AMPS
GFP (Y/N)	YES
RPP (Y/N)	YES
GFCI (Y/N)	YES
AFCI (Y/N)	YES
DC DISC. (Y/N)	YES
RAPID SHUTDOWN	AUTOMATIC
FUSE RATING	15 AMPS
PROTECT. RATING	NEMA 4X

MODULE OPTIMIZER	
MAKE	SOLAREEDGE
MODEL	S440
DC INPUT:	
RATED POWER	440 WATTS
VOLT. RANGE	8-60
MAX. SCC	14.5 AMPS
DC OUTPUT:	
MAX. CURRENT	15 AMPS
MAX. VOLT.	60 VOLTS
MAX. SYSTEM VOLT.	1000 VOLTS
MIN. STRING	8 OPTIMIZERS
MAX. STRING	25 OPTIMIZERS
MAX. POWER	5700 WATTS

CONDUCTOR SCHEDULE													
TAG	CURRENT CARRYING CONDUCTORS				GROUNDING CONDUCTORS				CONDUIT/RACEWAY				NOTES
	QTY.	SIZE	MATERIAL	INSULATION	QTY.	SIZE	MATERIAL	INSULATION	QTY.	SIZE	MATERIAL	LOCATION	
C1	2	10 AWG	COPPER	PV WIRE	1	6 AWG	COPPER	BARE WIRE	-	-	-	FREE AIR	1
C2	6	10 AWG	COPPER	THWN-2	1	10 AWG	COPPER	THWN-2	1	3/4"	FMC/EMT/MC	EXT/INT	2,4
C3	3	6 AWG	COPPER	THWN	1	10 AWG	COPPER	THWN	1	3/4"	NOTE 5	EXTERIOR	2,4,5
C4	3	6 AWG	COPPER	THWN	-	-	-	-	1	3/4"	NOTE 5	EXT/INT	2,4,5,6
XC	-	-	-	-	-	-	-	-	-	-	-	-	3

NOTES:

1. MANUFACTURER PROVIDED, UL LISTED WIRING HARNESS FOR USE ON EXPOSED ROOFS
2. CONDUIT SIZE SHOWN IS CODE MINIMUM. LARGER SIZES ARE ALLOWED
3. EXISTING CONDUCTORS, FIELD VERIFY
4. EQUIPMENT TERMINAL RATING SHALL BE A MINIMUM OF 75°C AT BOTH END OF CONDUCTOR
5. PVC, EMT, ROMEX, LFNMC & FMC ARE ACCEPTABLE WHEN USED IN ACCORDANCE WITH ARTICLES 330, 334, 348, 350, 352, 356, & 358 OF THE 2017 NEC
6. SERVICE CONDUCTORS SHALL NOT TRAVEL MORE THAN 5' INSIDE OF THE BUILDING AND MORE THAN 10' IN TOTAL.

JUNCTION BOX	
MAKE	SOLADECK
MODEL	0799-5B
PRO. RATING	NEMA 3R
VOLT. RATING	1000 VOLTS
AMP RATING (DC)	180 AMPS
UL LISTING	UL 50

NOTES:

- PROVIDE ADDITIONAL JUNCTION BOXED AS REQUIRED TO COMBINE MODULES ON DIFFERENT ARRAYS INTO A SINGLE STRING

AC DISCONNECT	
MAKE	GENERIC
MODEL	N/A
ENCL. RATING	NEMA 3R
VOLT. RATING	240 VOLTS
AMP RATING	60 AMPS
UL LIST. (Y/N)	YES
FUSED (Y/N)	YES
FUSE RATING	60 AMPS

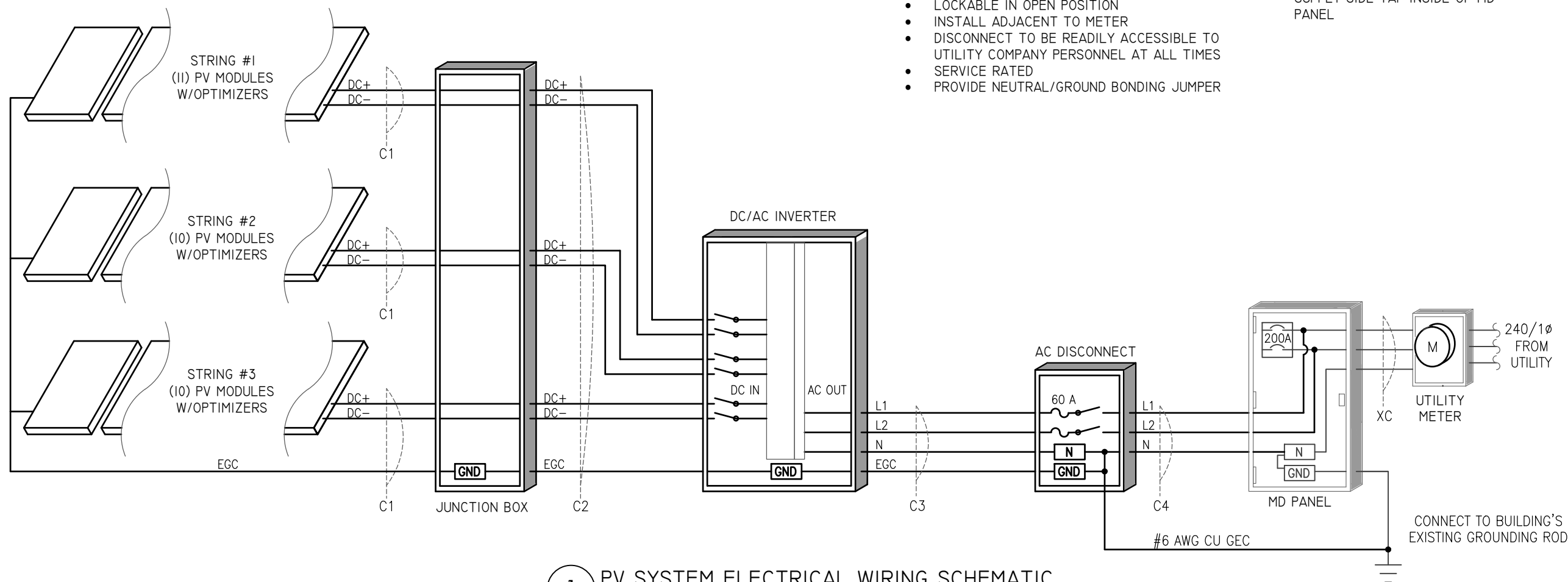
NOTES:

- LOAD-BREAK RATED
- VISIBLE OPEN
- LOCKABLE IN OPEN POSITION
- INSTALL ADJACENT TO METER
- DISCONNECT TO BE READILY ACCESSIBLE TO UTILITY COMPANY PERSONNEL AT ALL TIMES
- SERVICE RATED
- PROVIDE NEUTRAL/GROUND BONDING JUMPER

MD PANEL (EXISTING)	
MAKE	N/A
MODEL	N/A
ENCL. RATING	NEMA 3R
VOLT. RATING	240 VOLTS
BUS RATING	200 AMPS
UL LIST. (Y/N)	YES
MAIN BREAKER (Y/N)	YES
BREAKER RATING	200 AMPS

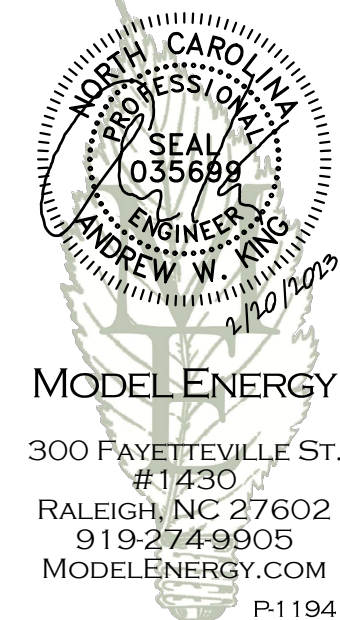
NOTES:

- BACK-FEED SOLAR OUTPUT VIA SUPPLY SIDE TAP INSIDE OF MD PANEL



1 PV SYSTEM ELECTRICAL WIRING SCHEMATIC  
SCALE: NTS

ENGINEER:



MODEL ENERGY

300 FAYETTEVILLE ST.  
#1430  
RALEIGH, NC 27602  
919-274-9905  
MODELENERGY.COM

P-1194

JOB TITLE:

NEW SOLAR PV SYSTEM

12.400 kW DC INPUT  
10.000 kW AC EXPORT

Jimmy Barcia  
234 Chedworth Dr,  
Angier, NC 27501

© 2023 MODEL ENERGY, PLLC EXPRESSLY RESERVES ITS COMMON LAW COPYRIGHT AND OTHER PROPERTY RIGHTS IN THESE PLANS. THESE PLANS ARE NOT TO BE REPRODUCED, CHANGED OR COPIED IN ANY FORM OR MANNER WHATSOEVER, NOR ARE THEY TO BE ASSIGNED TO ANY THIRD PARTY WITHOUT FIRST OBTAINING THE EXPRESSED WRITTEN PERMISSION AND CONSENT OF MODEL ENERGY, PLLC.

CLIENT:

READY SOLAR

ISSUED FOR: DATE:  
CONSTRUCTION 2/23/2023

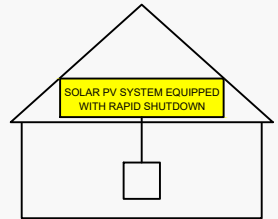
ELECTRICAL INFORMATION

PV4.1

## EQUIPMENT LABELS

### SOLAR PV SYSTEM EQUIPPED WITH RAPID SHUTDOWN

TURN RAPID SHUTDOWN SWITCH TO THE "OFF" POSITION TO SHUT DOWN PV SYSTEM AND REDUCE SHOCK HAZARD IN THE ARRAY



NEC 690.56 (C)(1)(a)  
PLACE WITHIN 3FT OF SERVICE DISCONNECTING MEANS TO WHICH THE PV SYSTEMS ARE CONNECTED AND SHALL INDICATE THE LOCATIONS OF RAPID SHUTDOWN SWITCHES

### PV SYSTEM DISCONNECT

NEC 690.13 (B)  
PLACE ON PV SYSTEM DISCONNECTING MEANS.

### ⚠ WARNING

#### DUAL POWER SUPPLY

SOURCES: UTILITY GRID AND PV SOLAR ELECTRIC SYSTEM

NEC 705.12 (B)(3)  
PLACE ON ALL EQUIPMENT THAT IS SUPPLIED BY BOTH POWER SOURCES

### ⚠ WARNING

#### ELECTRIC SHOCK HAZARD

TERMINALS ON THE LINE AND LOAD SIDES MAY BE ENERGIZED IN THE OPEN POSITION

NEC 690.13 (B)  
PLACE ON PV SYSTEM DISCONNECTING MEANS.

### ⚠ WARNING

POWER SOURCE OUTPUT CONNECTION DO NOT RELOCATE THIS OVERCURRENT DEVICE

NEC 705.12 (B)(2)(3)(b)  
PLACE ADJACENT TO BACK-FED BREAKER

### WARNING: PHOTOVOLTAIC POWER SOURCE

NEC 690.31 (G)(3)&(4)  
PLACE ON ALL JUNCTION BOXES, EXPOSED RACEWAYS, AND OTHER WIRING METHODS EVERY 10' AND ON EVERY SECTION SEPARATED BY ENCLOSURES, WALLS, PARTITIONS, CEILINGS, OR FLOORS.

### ⚠ WARNING

#### FED BY MULTIPLE POWER SOURCES

TOTAL RATING OF ALL OVERCURRENT DEVICES EXCLUDING UTILITY OVERCURRENT DEVICE SHALL NOT EXCEED AMPACITY OF BUSBAR

NEC 705.12 (B)(2)(3)(c)  
PLACE ADJACENT TO BACK-FED BREAKER

### DIRECT CURRENT PHOTOVOLTAIC POWER SOURCE

MAXIMUM VOLTAGE 600 VDC  
MAX CIR. CURRENT 45 AMPS

NEC 690.53  
PLACE ON ALL DC DISCONNECTING MEANS

### PHOTOVOLTAIC POWER SOURCE

OPERATING AC VOLT. 240 VAC  
MAXIMUM OPERATING AC OUTPUT CURRENT 42 AMPS

NEC 690.54  
PLACE ON INTERCONNECTION DISCONNECTING MEANS

### RAPID SHUTDOWN SWITCH FOR SOLAR PV SYSTEM

NEC 690.56 (C)(3)  
PLACE ON RAPID SHUTDOWN SWITCH OR EQUIPMENT WITH INTEGRATED RAPID SHUTDOWN \*REFLECTIVE\*

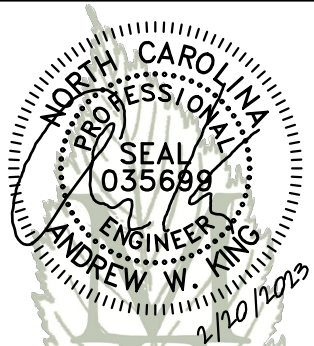
#### EQUIPMENT LABEL NOTES

1. LABELS SHOWN ARE 1/2 THEIR ACTUAL REQUIRED SIZE.
2. LABEL MATERIAL SHALL BE SUITABLE FOR THE EQUIPMENT ENVIRONMENT.
3. CONDUIT SHALL BE MARKED WITH REQUIRED LABEL EVERY 10 FEET.

## CONSTRUCTION NOTES

1. ALL WORK AND EQUIPMENT SHALL BE INSTALLED IN ACCORDANCE WITH THE LATEST NATIONAL, STATE, AND LOCAL CODES AND ORDINANCES
2. FOLLOW MANUFACTURER'S INSTALLATION INSTRUCTIONS, BEST PRACTICES, AND SPECIFICATIONS
3. WIRES SHALL BE RATED AND LABELED "SUNLIGHT RESISTANT" WHERE EXPOSED TO AMBIENT CONDITIONS
4. THE PHOTOVOLTAIC SYSTEM SHALL NOT EXCEED 600 VOLTS OR 800 AMPS
5. EACH ELECTRICAL APPLIANCE SHALL BE PROVIDED WITH A NAMEPLATE GIVING THE IDENTIFYING NAME AND THE RATING IN VOLTS AND AMPERES, OR VOLTS AND WATTS. IF THE APPLIANCE IS TO BE USED ON A SPECIFIC FREQUENCY OR FREQUENCIES, IT SHALL BE SO MARKED. WHERE MOTOR OVERLOAD PROTECTION EXTERNAL TO THE APPLIANCES IS REQUIRED, THE APPLIANCE SHALL BE SO MARKED
6. WHERE APPLICABLE, GROUNDING ELECTRODE CONDUCTOR TO BE CONTINUOUS. GROUNDING CRIMPS TO BE IRREVERSIBLE
7. IN ONE- AND TWO-FAMILY DWELLINGS, LIVE PARTS IN PHOTOVOLTAIC SOURCE CIRCUITS AND PHOTOVOLTAIC OUTPUT CIRCUITS OVER 150 VOLTS TO GROUND, SHALL ONLY BE ACCESSIBLE TO QUALIFIED PERSONS WHILE ENERGIZED.
8. PHOTOVOLTAIC SYSTEMS SHALL BE PERMANENTLY MARKED AT VARIOUS EQUIPMENT LOCATIONS TO IDENTIFY THAT A PHOTOVOLTAIC SYSTEM IS INSTALLED AND THAT VARIOUS DANGERS ARE PRESENT.
9. EACH PHOTOVOLTAIC SYSTEM DISCONNECTING MEANS SHALL BE PERMANENTLY MARKED TO IDENTIFY IT AS A PHOTOVOLTAIC SYSTEM DISCONNECT
10. WHERE ALL TERMINALS OF A DISCONNECTING MEANS MAY BE ENERGIZED IN THE OPEN POSITION, A WARNING SIGN SHALL BE MOUNTED ON OR ADJACENT TO THE DISCONNECT
11. A PERMANENT LABEL FOR THE DIRECT-CURRENT PHOTOVOLTAIC POWER SOURCE SHALL BE PROVIDED BY THE INSTALLED AT THE DC DISCONNECT MEANS
12. A PERMANENT PLAQUE OR DIRECTORY, DENOTING ALL ELECTRIC POWER SOURCES SERVING THE PREMISES, SHALL BE INSTALLED AT EACH SERVICE EQUIPMENT LOCATION AND AT LOCATIONS OF ALL POWER PRODUCTION SOURCES.
13. A PERMANENT PLAQUE OR DIRECTORY SHALL BE PROVIDED DENOTING THE LOCATIONS OF THE SERVICE DISCONNECT MEANS AND THE PHOTOVOLTAIC SYSTEM DISCONNECT MEANS IF THEY ARE NOT LOCATED AT THE SAME LOCATION.
14. ALL MODULE GROUND CONNECTIONS SHALL BE MADE IN ACCORDANCE WITH NEC SECTION 690.4 (C)

ENGINEER:



MODEL ENERGY

300 FAYETTEVILLE ST.  
#1430  
RALEIGH, NC 27602  
919-274-9905  
MODELENERGY.COM  
P-1194

JOB TITLE:

**NEW SOLAR PV SYSTEM**

12.400 kW DC INPUT  
10.000 kW AC EXPORT

Jimmy Barcia  
234 Chedworth Dr,  
Angier, NC 27501

© 2023 MODEL ENERGY, PLLC EXPRESSLY RESERVES ITS COMMON LAW COPYRIGHT AND OTHER PROPERTY RIGHTS IN THESE PLANS. THESE PLANS ARE NOT TO BE REPRODUCED, CHANGED OR COPIED IN ANY FORM OR MANNER WHATSOEVER, NOR ARE THEY TO BE ASSIGNED TO ANY THIRD PARTY WITHOUT FIRST OBTAINING THE EXPRESSED WRITTEN PERMISSION AND CONSENT OF MODEL ENERGY, PLLC.

CLIENT:

**READY SOLAR**

ISSUED FOR:	DATE:
CONSTRUCTION	2/23/2023

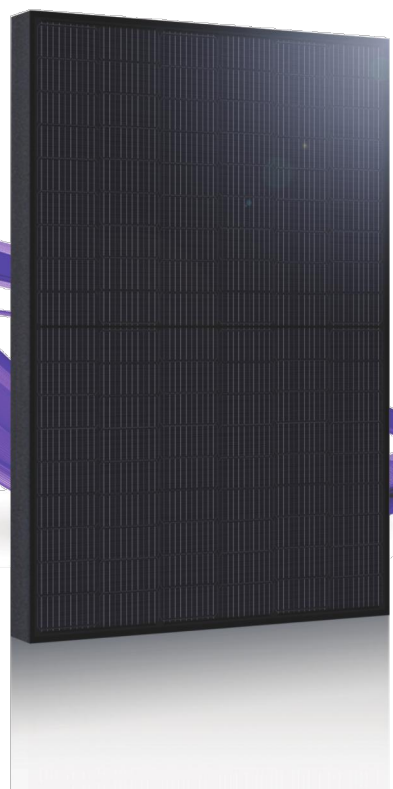

ELECTRICAL  
INFORMATION

# PV4.2




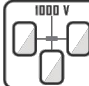



**FBM\_MFG-BB / 108 cells**  
**390W - 405 W**  
**Mono-Crystalline PV Module**

URE Peach module uses URE state-of-the-art cell cutting technology, and advanced module manufacturing experiences.



### Key Features

-  Positive power tolerance +0 ~ +5 watt
-  100% EL inline inspection Better module reliability
-  Withstand heavy loading front load 5400 Pa & rear load 2400 Pa
-  Design for 1000 VDC Reduce the system BOS effectively
-  Excellent low light performance 3.5% relative eff. Reduction at low (200W/m<sup>2</sup>)



For more information, please visit us at [www.urecorp.com](http://www.urecorp.com)

### Electrical Data

Model - STC		FBM390MFG-BB	FBM395MFG-BB	FBM400MFG-BB	FBM405MFG-BB
Maximum Rating Power (Pmax)	[W]	390	395	400	405
Module Efficiency	[%]	19.98	20.23	20.49	20.75
Open Circuit Voltage (Voc)	[V]	36.84	37.03	37.20	37.36
Maximum Power Voltage	[V]	30.82	31.00	31.17	31.36
Short Circuit Current	[A]	13.50	13.59	13.68	13.78
Maximum Power Current	[A]	12.66	12.75	12.84	12.92

\*Standard Test Condition (STC): Cell Temperature 25 °C, Irradiance 1000 W/m<sup>2</sup>, AM 1.5  
\*Values without tolerance are typical numbers.Measurement tolerance: ± 3%

### Mechanical Data

Item	Specification
Dimensions	1723 mm (L) <sup>1</sup> x 1133 mm (W) <sup>1</sup> x 35 mm (D) <sup>2</sup> / 67.83" (L) <sup>1</sup> x 44.61" (W) <sup>1</sup> x 1.38" (D) <sup>2</sup>
Weight	21.7 kg / 47.84 lbs
Solar Cell	12x9 pieces monocrystalline solar cells series strings
Front Glass	White toughened safety glass, 3.2mm thickness
Cell Encapsulation	EVA (Ethylene-Vinyl-Acetate)
Frame	Black anodized aluminum profile
Junction Box	IP≥ 68, 3 diodes
Cable & Connector	Potrait : 500 mm (cable length can be customized), 1 x 4 mm <sup>2</sup> compatible with MC4
Package Configuration	31 pcs Per Pallet, 806 pcs per 40' HQ container

<sup>1</sup> : With assembly tolerance of ± 2 mm [ ± 0.08" ]  
<sup>2</sup> : With assembly tolerance of ± 0.8 mm [ ± 0.03" ]

### Operating Conditions

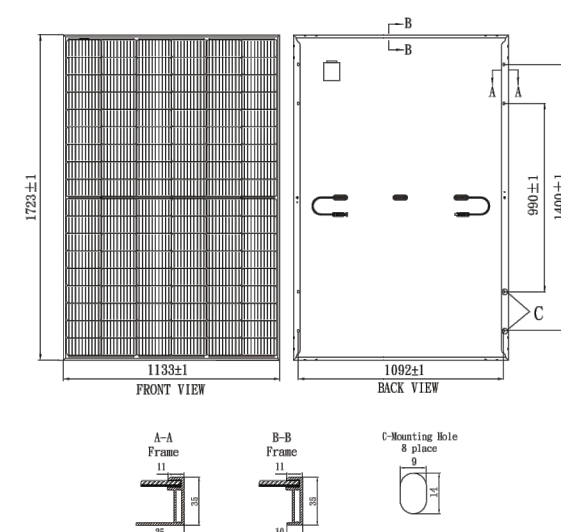
Item	Specification
Mechanical Load	5400 Pa
Maximum System Voltage	1000V
Series Fuse Rating	30 A
Operating Temperature	-40 to 85 °C

### Temperature Characteristics

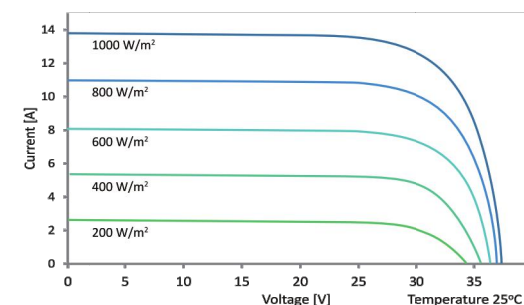
Item	Specification
Nominal Module Operating Temperature	45°C ± 2°C
Temperature Coefficient of Isc	0.048 % / °C
Temperature Coefficient of Voc	-0.27 % / °C
Temperature Coefficient of Pmax	-0.32 % / °C

\*Nominal module operating temperature (NMOT): Air mass AM 1.5, irradiance 800W/m<sup>2</sup>, temperature 20°C, windspeed 1 m/s.  
\*Reduction in efficiency from 1000W/m<sup>2</sup> to 200W/m<sup>2</sup> at 25°C: 3.5 ± 2%.

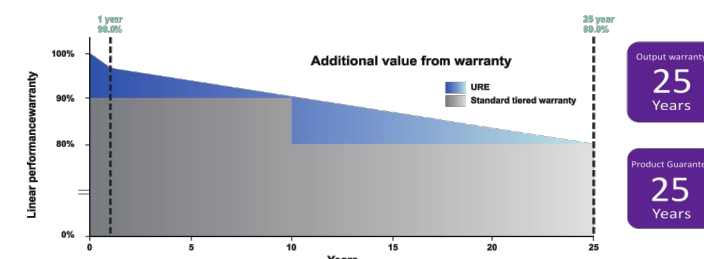
### Engineering Drawing (mm)



### Dependence on Irradiance



### Reliability with Warranty



For more information, please visit us at [www.urecorp.com](http://www.urecorp.com)

**United Renewable Energy Co., Ltd.**

**Taipei Office**  
9F, NO. 295, Sec. 2, Tiding Blvd.,  
Neihu Dist., Taipei 11493, Taiwan  
Tel : +886-2-2656-2000  
Fax : +886-2-2656-0593  
e-mail : sales@urecorp.com

**Headquarters**  
No. 7, Li-Hsin 3rd Road, Hsinchu Science Park  
Hsinchu city 30078, Taiwan  
Tel : +886-3-578-0011  
Fax : +886-3-578-1255

ENGINEER:



**MODEL ENERGY**  
300 FAYETTEVILLE ST.  
#1430  
RALEIGH, NC 27602  
919-274-9905  
MODELENERGY.COM  
P-1194

JOB TITLE:

**NEW SOLAR PV SYSTEM**

12.400 kW DC INPUT  
10.000 kW AC EXPORT

Jimmy Barcia  
234 Chedworth Dr,  
Angier, NC 27501

© 2023 MODEL ENERGY, PLLC EXPRESSLY RESERVES ITS COMMON LAW COPYRIGHT AND OTHER PROPERTY RIGHTS IN THESE PLANS. THESE PLANS ARE NOT TO BE REPRODUCED, CHANGED OR COPIED IN ANY FORM OR MANNER WHATSOEVER, NOR ARE THEY TO BE ASSIGNED TO ANY THIRD PARTY WITHOUT FIRST OBTAINING THE EXPRESSED WRITTEN PERMISSION AND CONSENT OF MODEL ENERGY, PLLC.

CLIENT:

**READY SOLAR**

ISSUED FOR: CONSTRUCTION  
DATE: 2/23/2023

LABELS,  
DETAILS & SPECS

**PV5.1**

# Power Optimizer For Residential Installations

S440, S500



POWER OPTIMIZER

## Enabling PV power optimization at the module level

- Specifically designed to work with SolarEdge residential inverters
- Detected abnormal PV connector behavior, preventing potential safety issues\*
- Module-level voltage shutdown for installer and firefighter safety
- Superior efficiency (99.5%)
- Mitigates all types of module mismatch loss, from manufacturing tolerance to partial shading
- Faster installations with simplified cable management and easy assembly using a single bolt
- Flexible system design for maximum space utilization
- Compatible with bifacial PV modules

\* Functionality subject to inverter model and firmware version

[solaredge.com](http://solaredge.com)



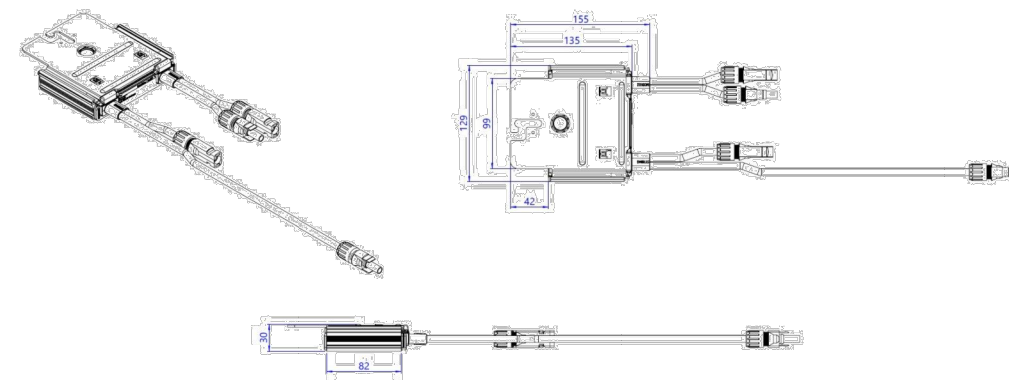
## Power Optimizer For Residential Installations S440, S500

	S440	S500	UNIT
Rated Input DC Power <sup>(1)</sup>	440	500	W
Absolute Maximum Input Voltage (Voc)		60	Vdc
MPPT Operating Range		8 - 60	Vdc
Maximum Short Circuit Current (Isc) of Connected PV Module	14.5	15	Adc
Maximum Efficiency		99.5	%
Weighted Efficiency		98.6	%
Overtoltage Category		II	
<b>OUTPUT DURING OPERATION</b>			
Maximum Output Current		15	Adc
Maximum Output Voltage		60	Vdc
<b>OUTPUT DURING STANDBY (POWER OPTIMIZER DISCONNECTED FROM INVERTER OR INVERTER OFF)</b>			
Safety Output Voltage per Power Optimizer		1	Vdc
<b>STANDARD COMPLIANCE</b>			
EMC	FCC Part 15 Class B, IEC61000-6-2, IEC61000-6-3, CISPR11, EN-55011		
Safety	IEC62109-1 (class II safety), UL1741		
Material	UL94 V-0, UV Resistant		
RoHS	Yes		
Fire Safety	VDE-AR-E 2100-712:2013-05		
<b>INSTALLATION SPECIFICATIONS</b>			
Maximum Allowed System Voltage		1000	Vdc
Dimensions (W x L x H)		129 x 155 x 30	mm
Weight (including cables)		655 / 1.5	gr / lb
Input Connector		MC4 <sup>(2)</sup>	
Input Wire Length		0.1	m
Output Connector		MC4	
Output Wire Length		(+) 2.3, (-) 0.10	m
Operating Temperature Range <sup>(3)</sup>		-40 to +85	°C
Protection Rating		IP68 / NEMA6P	
Relative Humidity		0 - 100	%

(1) Rated power of the module at STC will not exceed the Power Optimizer Rated Input DC Power. Modules with up to +5% power tolerance are allowed  
 (2) For other connector types please contact SolarEdge  
 (3) For ambient temperature above +70°C / +158°F power de-rating is applied. Refer to Power Optimizers Temperature De-Rating Technical Note for more details

PV System Design Using a SolarEdge Inverter		Single Phase HD-Wave	Three Phase	Three Phase for 277/480V Grid	
Minimum String Length (Power Optimizers)	S440, S500	8	16	18	
Maximum String Length (Power Optimizers)		25	50	50	
Maximum Nominal Power per String <sup>(4)</sup>		5700	11250 <sup>(5)</sup>	12750 <sup>(6)</sup>	W
Parallel Strings of Different Lengths or Orientations			Yes		

(4) If the inverters rated AC power < maximum nominal power per string, then the maximum power per string will be able to reach up to the inverters maximum input DC power Refer to: <https://www.solaredge.com/sites/default/files/se-power-optimizer-single-string-design-application-note.pdf>  
 (5) For the 230/400V grid: it is allowed to install up to 13,500W per string when the maximum power difference between each string is 2,000W  
 (6) For the 277/480V grid: it is allowed to install up to 15,000W per string when the maximum power difference between each string is 2,000W  
 (7) It is not allowed to mix S-series and P-series Power Optimizers in new installations



© SolarEdge Technologies, Inc. All rights reserved. SOLAREEDGE, the SolarEdge logo, OPTIMIZED BY SOLAREEDGE are trademarks or registered trademarks of SolarEdge Technologies, Inc. All other trademarks mentioned herein are trademarks of their respective owners. Date: 12/2021 DS-000091-1.2-ENG. Subject to change without notice.

CE RoHS

ENGINEER:



MODEL ENERGY  
 300 FAYETTEVILLE ST.  
 #1430  
 RALEIGH, NC 27602  
 919-274-9905  
 MODELENERGY.COM  
 P-1194

JOB TITLE:

NEW SOLAR PV SYSTEM

12.400 kW DC INPUT  
 10.000 kW AC EXPORT

Jimmy Barcia  
 234 Chedworth Dr,  
 Angier, NC 27501

© 2023 MODEL ENERGY, PLLC EXPRESSLY RESERVES ITS COMMON LAW COPYRIGHT AND OTHER PROPERTY RIGHTS IN THESE PLANS. THESE PLANS ARE NOT TO BE REPRODUCED, CHANGED OR COPIED IN ANY FORM OR MANNER WHATSOEVER, NOR ARE THEY TO BE ASSIGNED TO ANY THIRD PARTY WITHOUT FIRST OBTAINING THE EXPRESSED WRITTEN PERMISSION AND CONSENT OF MODEL ENERGY, PLLC.

CLIENT:

READY SOLAR

ISSUED FOR: DATE:  
 CONSTRUCTION 2/23/2023

EQUIPMENT  
 SPEC SHEETS

PV5.2

# Single Phase Inverter with HD-Wave Technology

for North America

SE3000H-US / SE3800H-US / SE5000H-US / SE6000H-US / SE7600H-US / SE10000H-US / SE11400H-US



**12-25**  
YEAR WARRANTY

INVERTERS

## Optimized installation with HD-Wave technology

- / Specifically designed to work with power optimizers
- / Record-breaking efficiency
- / Fixed voltage inverter for longer strings
- / Integrated arc fault protection and rapid shutdown for NEC 2014 and 2017, per article 690.11 and 690.12
- / UL1741 SA certified, for CPUC Rule 21 grid compliance
- / Extremely small
- / Built-in module-level monitoring
- / Outdoor and indoor installation
- / Optional: Revenue grade data, ANSI C12.20 Class 0.5 (0.5% accuracy)

[solaredge.com](http://solaredge.com)



## Single Phase Inverter with HD-Wave Technology for North America

SE3000H-US / SE3800H-US / SE5000H-US / SE6000H-US / SE7600H-US / SE10000H-US / SE11400H-US

	SE3000H-US	SE3800H-US	SE5000H-US	SE6000H-US	SE7600H-US	SE10000H-US	SE11400H-US		
<b>OUTPUT</b>									
Rated AC Power Output	3000	3800 @ 240V 3300 @ 208V	5000	6000 @ 240V 5000 @ 208V	7600	10000	11400 @ 240V 10000 @ 208V	VA	
Maximum AC Power Output	3000	3800 @ 240V 3300 @ 208V	5000	6000 @ 240V 5000 @ 208V	7600	10000	11400 @ 240V 10000 @ 208V	VA	
AC Output Voltage Min.-Nom.-Max. (211 - 240 - 264)	✓	✓	✓	✓	✓	✓	✓	Vac	
AC Output Voltage Min.-Nom.-Max. (183 - 208 - 229)	-	✓	-	✓	-	-	✓	Vac	
AC Frequency (Nominal)	59.3 - 60 - 60.5 <sup>(1)</sup>							Hz	
Maximum Continuous Output Current @240V	12.5	16	21	25	32	42	47.5	A	
Maximum Continuous Output Current @208V	-	16	-	24	-	-	48.5	A	
GFDI Threshold	1							A	
Utility Monitoring, Islanding Protection, Country Configurable Thresholds	Yes								
<b>INPUT</b>									
Maximum DC Power @240V	4650	5900	7750	9300	11800	15500	17650	W	
Maximum DC Power @208V	-	5100	-	7750	-	-	15500	W	
Transformer-less, Ungrounded	Yes								
Maximum Input Voltage	480							Vdc	
Nominal DC Input Voltage	380				400			Vdc	
Maximum Input Current @240V <sup>(2)</sup>	8.5	10.5	13.5	16.5	20	27	30.5	Adc	
Maximum Input Current @208V <sup>(2)</sup>	-	9	-	13.5	-	-	27	Adc	
Max. Input Short Circuit Current	45							Adc	
Reverse-Polarity Protection	Yes								
Ground-Fault Isolation Detection	600k $\Omega$ Sensitivity								
Maximum Inverter Efficiency	99	99.2				99 @ 240V 98.5 @ 208V		%	
CEC Weighted Efficiency	99						99 @ 240V 98.5 @ 208V	%	
Nighttime Power Consumption	< 2.5							W	
<b>ADDITIONAL FEATURES</b>									
Supported Communication Interfaces	RS485, Ethernet, ZigBee (optional), Cellular (optional)								
Revenue Grade Data, ANSI C12.20	Optional <sup>(3)</sup>								
Rapid Shutdown - NEC 2014 and 2017 690.12	Automatic Rapid Shutdown upon AC Grid Disconnect								
<b>STANDARD COMPLIANCE</b>									
Safety	UL1741, UL1741 SA, UL1599B, CSA C22.2, Canadian AFCI according to T.I.L. M-07								
Grid Connection Standards	IEEE1547, Rule 21, Rule 14 (HI)								
Emissions	FCC Part 15 Class B								
<b>INSTALLATION SPECIFICATIONS</b>									
AC Output Conduit Size / AWG Range	1" Maximum / 14-6 AWG				1" Maximum / 14-4 AWG				
DC Input Conduit Size / # of Strings / AWG Range	1" Maximum / 1-2 strings / 14-6 AWG				1" Maximum / 1-3 strings / 14-6 AWG				
Dimensions with Safety Switch (HxWxD)	17.7 x 14.6 x 6.8 / 450 x 370 x 174				21.3 x 14.6 x 7.3 / 540 x 370 x 185				in / mm
Weight with Safety Switch	22 / 10	25.1 / 11.4	26.2 / 11.9	38.8 / 17.6			lb / kg		
Noise	< 25				< 50				dBA
Cooling	Natural Convection								
Operating Temperature Range	-13 to +140 / -25 to +60 <sup>(4)</sup> (-40°F / -40°C option) <sup>(5)</sup>							°F / °C	
Protection Rating	NEMA 4X (Inverter with Safety Switch)								

<sup>(1)</sup> For other regional settings please contact SolarEdge support  
<sup>(2)</sup> A higher current source may be used; the inverter will limit its input current to the values stated  
<sup>(3)</sup> Revenue grade inverter P/N: SExxxxH-US000NNC2  
<sup>(4)</sup> For power de-rating information refer to: <https://www.solaredge.com/sites/default/files/se-temperature-derating-note-na.pdf>  
<sup>(5)</sup> -40 version P/N: SExxxxH-US000NNU4

ENGINEER:



MODEL ENERGY

300 FAYETTEVILLE ST.  
#1430  
RALEIGH, NC 27602  
919-274-9905  
MODELENERGY.COM  
P-1194

JOB TITLE:

NEW SOLAR PV SYSTEM

12.400 kW DC INPUT  
10.000 kW AC EXPORT

Jimmy Barcia  
234 Chedworth Dr,  
Angier, NC 27501

© 2023 MODEL ENERGY, PLLC EXPRESSLY RESERVES ITS COMMON LAW COPYRIGHT AND OTHER PROPERTY RIGHTS IN THESE PLANS. THESE PLANS ARE NOT TO BE REPRODUCED, CHANGED OR COPIED IN ANY FORM OR MANNER WHATSOEVER, NOR ARE THEY TO BE ASSIGNED TO ANY THIRD PARTY WITHOUT FIRST OBTAINING THE EXPRESSED WRITTEN PERMISSION AND CONSENT OF MODEL ENERGY, PLLC.

CLIENT:

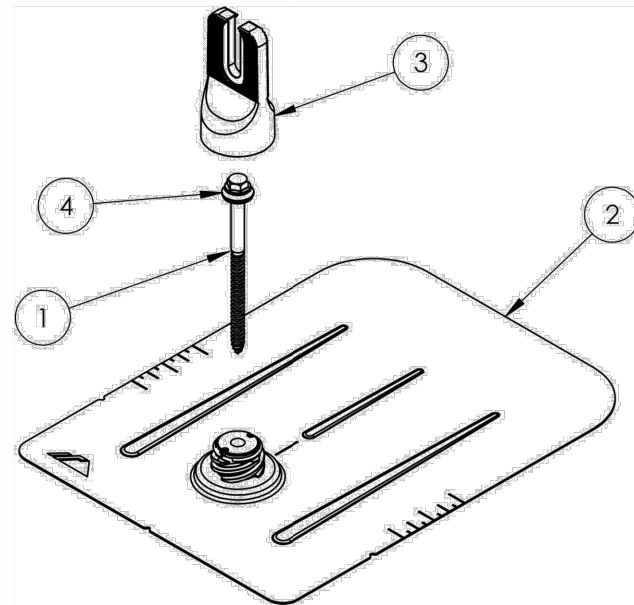
READY SOLAR

ISSUED FOR: DATE:  
CONSTRUCTION 2/23/2023

EQUIPMENT SPEC SHEETS

PV5.3



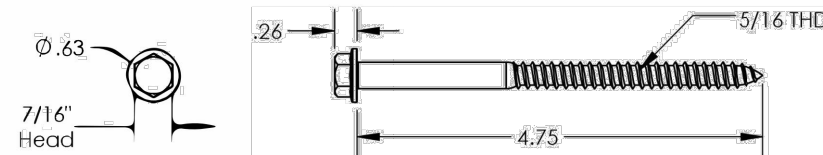


ITEM NO.	DESCRIPTION
1	BOLT LAG 5/16 X 4.75"
2	ASSY, FLASHING
3	ASSY, CAP
4	WASHER, EPDM BACKED

**FLASHFOOT 2**

Part Number	Description
FF2-01-M1	FLASHFOOT2, MILL
FF2-01-B1	FLASHFOOT2, BLACK

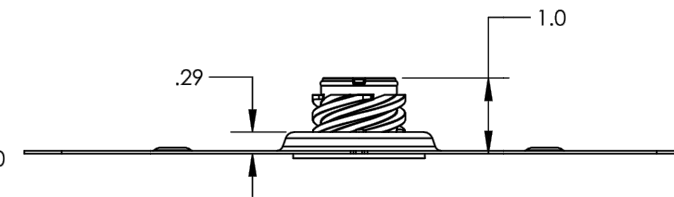
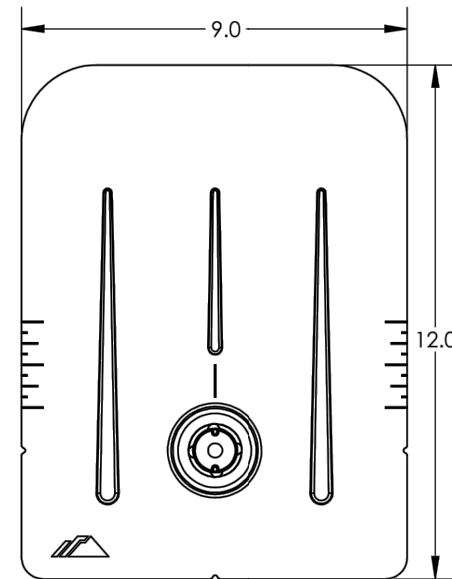
**1) Bolt, Lag 5/16" x 4.75"**



Property	Value
Material	300 Series Stainless Steel
Finish	Clear

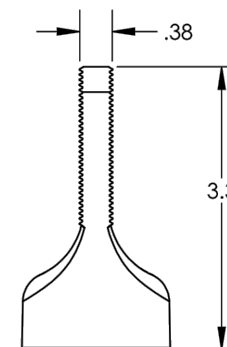
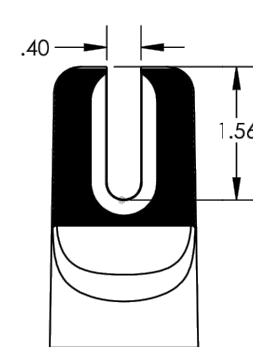
v1.20

**2) Assy, Flashing**



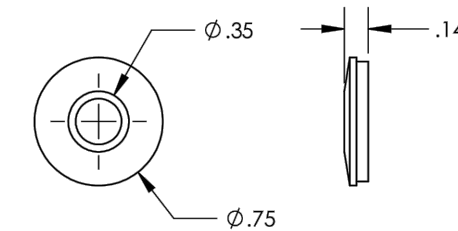
Property	Value
Material	Aluminum
Finish	Mill/Black

**3) Assy, Cap**



Property	Value
Material	Aluminum
Finish	Mill/Black

**4) Washer, EPDM Backed**



Property	Value
Material	300 Series Stainless Steel
Finish	Clear

v1.20

ENGINEER:



**MODEL ENERGY**

300 FAYETTEVILLE ST.  
#1430  
RALEIGH, NC 27602  
919-274-9905  
MODELENERGY.COM  
P-1194

JOB TITLE:

**NEW SOLAR PV SYSTEM**

12.400 kW DC INPUT  
10.000 kW AC EXPORT

Jimmy Barcia  
234 Chedworth Dr,  
Angier, NC 27501

© 2023 MODEL ENERGY, PLLC EXPRESSLY RESERVES ITS COMMON LAW COPYRIGHT AND OTHER PROPERTY RIGHTS IN THESE PLANS. THESE PLANS ARE NOT TO BE REPRODUCED, CHANGED OR COPIED IN ANY FORM OR MANNER WHATSOEVER, NOR ARE THEY TO BE ASSIGNED TO ANY THIRD PARTY WITHOUT FIRST OBTAINING THE EXPRESSED WRITTEN PERMISSION AND CONSENT OF MODEL ENERGY, PLLC.

CLIENT:

**READY SOLAR**

ISSUED FOR: CONSTRUCTION  
DATE: 2/23/2023

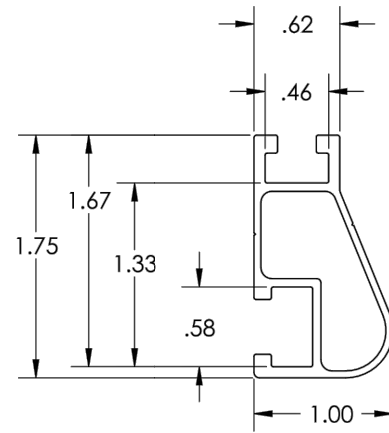
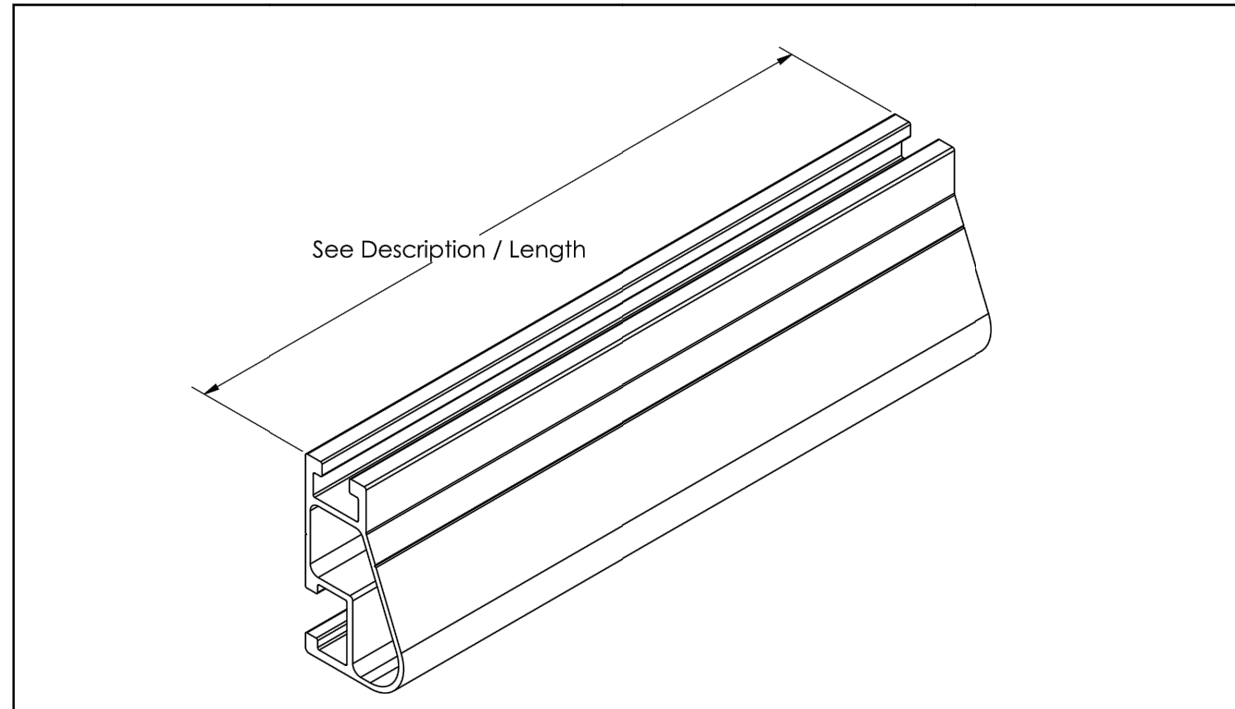
EQUIPMENT  
SPEC SHEETS

**PV5.4**



## XR10 Rail

Cut Sheet



Rail Section Properties	
Property	Value
Total Cross-Sectional Area	0.363 in <sup>2</sup>
Section Modulus (X-axis)	0.136 in <sup>3</sup>
Moment of Inertia (X-axis)	0.124 in <sup>4</sup>
Moment of Inertia (Y-axis)	0.032 in <sup>4</sup>
Torsional Constant	0.076 in <sup>3</sup>
Polar Moment of Inertia	0.033 in <sup>4</sup>

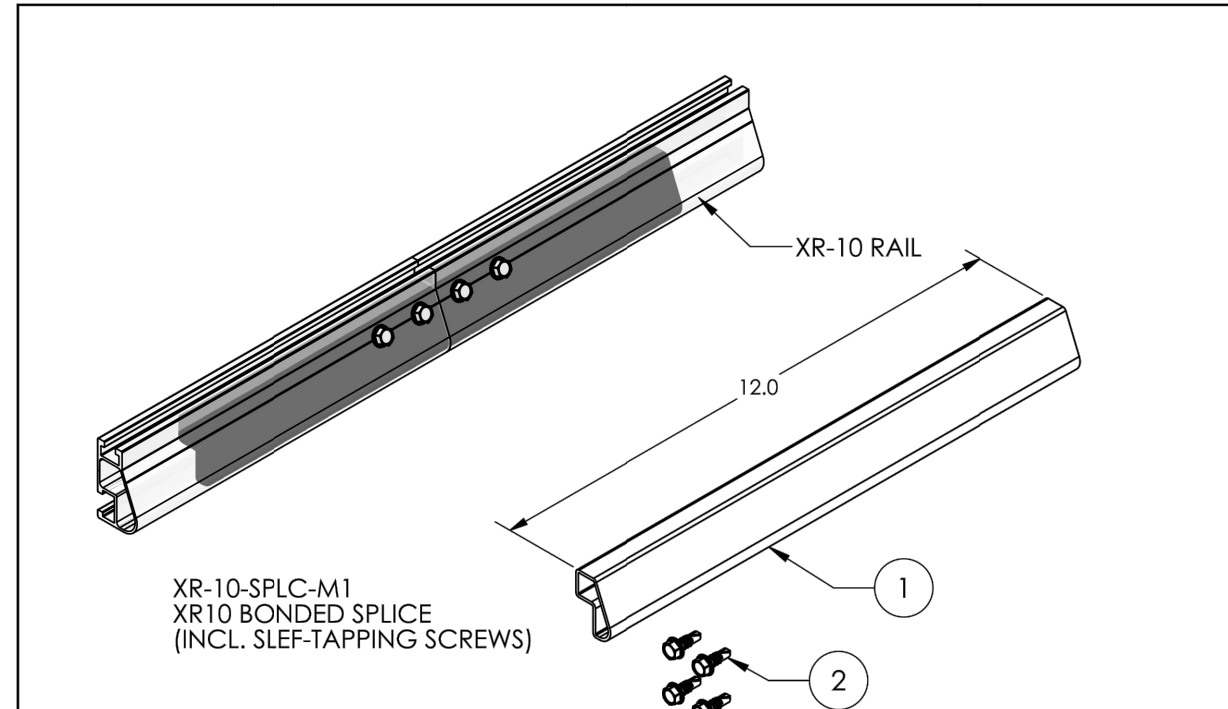
Clear Part Number	Black Part Number	Description / Length	Material	Weight
XR-10-132A	XR-10-132B	XR10, Rail 132" (11 Feet)	6000-Series Aluminum	4.67 lbs.
XR-10-168A	XR-10-168B	XR10, Rail 168" (14 Feet)		5.95 lbs.
XR-10-204A	XR-10-204B	XR10, Rail 204" (17 Feet)		7.22 lbs.

v1.0

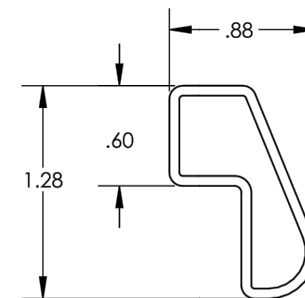


## XR10 Bonded Splice

Cut Sheet

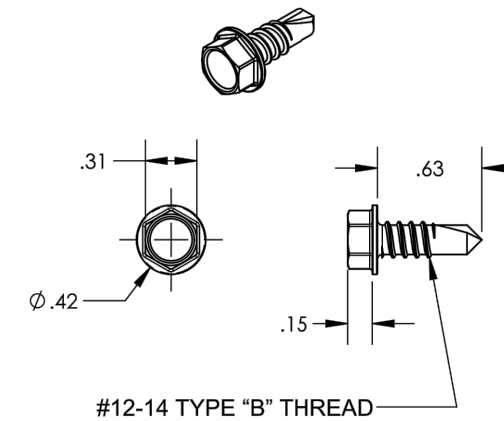


1) Splice, XR10, Mill 12" long



Property	Value
Material	6000 Series Aluminum
Finish	Mill

2) Screw, Self Drilling



Property	Value
Material	300 Series Stainless Steel
Finish	Clear

v1.10

ENGINEER:



MODEL ENERGY

300 FAYETTEVILLE ST.  
#1430  
RALEIGH, NC 27602  
919-274-9905  
MODELENERGY.COM  
P-1194

JOB TITLE:

NEW SOLAR PV SYSTEM

12.400 kW DC INPUT  
10.000 kW AC EXPORT

Jimmy Barcia  
234 Chedworth Dr,  
Angier, NC 27501

© 2023 MODEL ENERGY, PLLC EXPRESSLY RESERVES ITS COMMON LAW COPYRIGHT AND OTHER PROPERTY RIGHTS IN THESE PLANS. THESE PLANS ARE NOT TO BE REPRODUCED, CHANGED OR COPIED IN ANY FORM OR MANNER WHATSOEVER, NOR ARE THEY TO BE ASSIGNED TO ANY THIRD PARTY WITHOUT FIRST OBTAINING THE EXPRESSED WRITTEN PERMISSION AND CONSENT OF MODEL ENERGY, PLLC.

CLIENT:

READY SOLAR

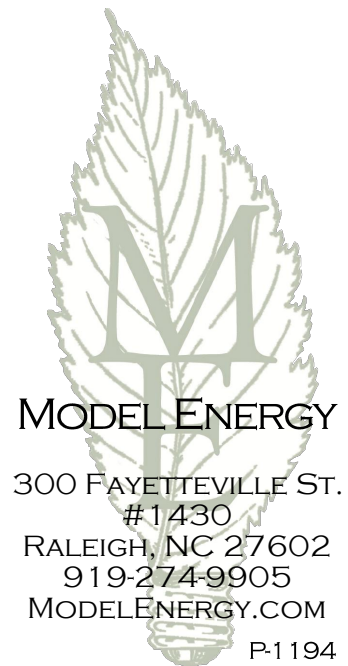
ISSUED FOR: DATE:  
CONSTRUCTION 2/23/2023

EQUIPMENT  
SPEC SHEETS

PV5.5

# READY SOLAR

Customer: Jimmy Barcia  
Installer: Ready Solar  
Subject: PV System Structural Compliance  
Date: 2/23/2023



To whom it may concern:

Model Energy, PLLC has reviewed the installation details of the proposed PV system that is to be installed by Ready Solar at 234 Chedworth Dr, Angier, NC 27501. The conditions of the existing structure have been reviewed and validated by Model Energy, PLLC. The existing roof structure has been designed to support the additional loads of the proposed PV system. In addition, the racking and fastening system shall be capable of securing the system to the structure under design conditions when installed properly and in accordance with the racking and fastening arrangement detailed within the accompanying permit set. The installation design is compliant with current 2018 North Carolina state and national building codes.

Thank you,

Andrew King, PE

