



Scott E. Wyssling, PE  
Coleman D. Larsen, SE, PE  
Gregory T. Elvestad, PE

76 North Meadowbrook Drive  
Alpine, UT 84004  
office (201) 874-3483  
swyssling@wysslingconsulting.com

September 15, 2022  
Revised: January 9, 2023

Legacy Solar  
3333 Digital Drive #600  
Lehi, UT 84043

Re: Engineering Services  
Wade Residence  
705 Denim Drive, Erwin NC  
11.440 kW System

To Whom It May Concern:

We have received information regarding solar panel installation on the roof of the above referenced structure. Our evaluation of the structure is to verify the existing capacity of the roof system and its ability to support the additional loads imposed by the proposed solar system.

#### A. Site Assessment Information

1. Site visit documentation identifying attic information including size and spacing of framing for the existing roof structure.
2. Design drawings of the proposed system including a site plan, roof plan and connection details for the solar panels. This information will be utilized for approval and construction of the proposed system.

#### B. Description of Structure:

**Roof Framing:** Prefabricated wood trusses at 24" on center. All truss members are constructed of 2x4 dimensional lumber.

**Roof Material:** Composite Asphalt Shingles

**Roof Slope:** 40 & 35 degrees

**Attic Access:** Accessible

**Foundation:** Permanent

#### C. Loading Criteria Used

- **Dead Load**
  - Existing Roofing and framing = 7 psf
  - New Solar Panels and Racking = 3 psf
  - TOTAL = 10 PSF
- **Live Load** = 20 psf (reducible) – 0 psf at locations of solar panels
- **Ground Snow Load** = 10 psf
- **Wind Load** based on ASCE 7-10
  - Ultimate Wind Speed = 119 mph (based on Risk Category II)
  - Exposure Category C

*Analysis performed of the existing roof structure utilizing the above loading criteria is in accordance with the North Carolina Residential Code (2015 IRC), including provisions allowing existing structures to not require strengthening if the new loads do not exceed existing design loads by 105% for gravity elements and 110% for seismic elements. This analysis indicates that the existing framing will support the additional panel loading without damage, if installed correctly.*

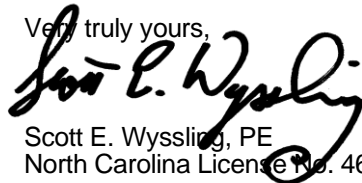
**D. Solar Panel Anchorage**

1. The solar panels shall be mounted in accordance with the most recent Unirac installation manual. If during solar panel installation, the roof framing members appear unstable or deflect non-uniformly, our office should be notified before proceeding with the installation.
2. Connection on the roof is utilizing (4) ½” or #14 screws into the existing decking to resist uplift forces. Contractor to verify installation to be performed in accordance with the Unirac recommendations. Pull out values per screw are based on National Design Specification values for CDX plywood and are identified as 208 lbs/inch. Based on ½” sheathing the value per screw would be 104 lbs providing 416 lbs uplift resistance per attachment.
3. Considering the wind speed, roof slopes, size and spacing of framing members, and condition of the roof, the panel supports shall be placed no greater than 60” on center.
4. Panel supports connections shall be staggered to distribute load to adjacent framing members.

Based on the above evaluation, this office certifies that with the racking and mounting specified, the existing roof system will adequately support the additional loading imposed by the solar system. This evaluation is in conformance with the North Carolina Residential Code, current industry standards, and is based on information supplied to us at the time of this report.

Should you have any questions regarding the above or if you require further information do not hesitate to contact me.

Very truly yours,

  
Scott E. Wyssling, PE  
North Carolina License No. 46546



Wyssling Consulting, PLLC  
76 N Meadowbrook Drive Alpine UT 84004  
North Carolina CDA # P-2308

Signed 1/09/2023

THIS PLAN HAS BEEN ELECTRONICALLY SIGNED AND SEALED BY SCOTT WYSSLING, PE USING A DIGITAL SIGNATURE AND DATE. PRINTED COPIES OF THIS DOCUMENT ARE NOT CONSIDERED SIGNED AND SEALED AND THE SIGNATURE MUST BE VERIFIED ON ANY ELECTRONIC COPIES

**SCOPE OF WORK**

TO INSTALL A ROOF MOUNTED SOLAR PHOTOVOLTAIC SYSTEM AT THE OWNER RESIDENCE LOCATED AT 705 DENIM DR, ERWIN, NC 28339, USA. THE POWER GENERATED BY THE PV SYSTEM WILL BE INTERCONNECTED WITH THE UTILITY GRID THROUGH THE EXISTING ELECTRICAL SERVICE EQUIPMENT. THE PV SYSTEM DOES NOT INCLUDE STORAGE BATTERIES.

**EQUIPMENT SUMMARY**

- 26 APTOS DNA-120-MF10-440W MODULES
- 26 ENPHASE IQ8PLUS -72-2-US (240V) MICROINVERTERS

**GENERAL NOTES**

- THESE CONSTRUCTION DOCUMENTS HAVE BEEN BASED ON FIELD INSPECTIONS AND OTHER INFORMATION AVAILABLE AT THE TIME. ACTUAL FIELD CONDITIONS MAY REQUIRE MODIFICATIONS IN CONSTRUCTION DETAILS.
- ARCHITECT HAS NOT BEEN RETAINED TO SUPERVISE ANY CONSTRUCTION OR INSTALLATION OF ANY EQUIPMENT AT SITE.
- CONTRACTOR SHALL FURNISH ALL LABOR, MATERIAL, EQUIPMENT, TOOLS, OBTAINS ALL PERMITS, LICENSES AND PAY ALL REQUIRED FEES AND COMPLETE INSTALLATION.
- CONTRACTOR HAS THE FULL RESPONSIBILITY TO CHECK AND VERIFY ALL DIMENSIONS AND EXISTING CONDITIONS. ANY DISCREPANCIES SHALL BE REPORTED TO THE ENGINEER BEFORE PROCEEDING WITH THE WORK. ANY WORK STARTED BEFORE CONSULTATION AND ACCEPTANCE BY THE ENGINEER SHALL BE THE SOLE RESPONSIBILITY OF THE CONTRACTOR AND SHALL BE SUBJECT TO CORRECTION BY THEM WITHOUT ADDITIONAL COMPENSATION.
- DAMAGE CAUSED TO THE EXISTING STRUCTURE, PIPES, DUCTS, WINDOWS, WALL, FLOORS, ETC. SHALL BE REPAIRED TO THE ORIGINAL CONDITION OR REPLACED BY THE CONTRACTOR AT NO ADDITIONAL COST.
- THE CONTRACTOR SHALL BE HELD RESPONSIBLE FOR THE PROPER INSTALLATION AND COMPLETION OF THE WORK WITH APPROVED MATERIALS.
- NO CHANGES ARE TO BE MADE WITHOUT THE CONSULTATION AND APPROVAL OF THE ARCHITECT.
- CONTRACTOR SHALL OBTAIN BUILDING PERMIT. NO WORK TO START UNLESS BUILDING PERMIT IS PROPERLY DISPLAYED.
- ALL WORKMANSHIP AND MATERIALS SHALL BE OF FIRST QUALITY AND IN COMPLIANCE WITH THE REQUIREMENTS OF THE FLORIDA BUILDING CODE, THE DEPARTMENT OF ENVIRONMENTAL PROTECTION AND ALL PERTINENT AGENCIES.
- IT IS ESSENTIAL THAT ALL WORK PROCEED WITH THE MAXIMUM COOPERATION OF ALL PARTIES AND WITH MINIMUM INTERFERENCE TO THE OCCUPANTS WITHIN THE BUILDING. THE OWNER'S DIRECTIONS IN THIS REGARD SHALL BE FULLY COMPLIED WITH.
- ALL EXPOSED PLUMBING, HVAC, ELECTRICAL DUCTWORK, PIPING AND CONDUITS ARE TO BE PAINTED BY GENERAL CONTRACTOR.
- THE CONTRACTOR SHALL PERFORM THE WORK IN STRICT CONFORMANCE WITH THE LOCAL LAWS, REGULATIONS AND THE NATIONAL ELECTRIC CODE.
- THE CONTRACTOR SHALL OBTAIN ALL PERMITS, APPROVALS, AFFIDAVITS, CERTIFICATIONS, ETC. AND PAY ALL FEES AS REQUIRED BY THE LOCAL AUTHORITIES.
- CONTRACTORS SHALL OBTAIN FIRE CERTIF. UPON COMPLETION OF WORK.

**ELECTRICAL NOTES**

- ALL EQUIPMENT TO BE LISTED BY UL OR OTHER NRTL, AND LABELED FOR ITS APPLICATION.
- ALL CONDUCTORS SHALL BE COPPER, RATED FOR 600 V AND 90 DEGREE C WET ENVIRONMENT.
- WIRING, CONDUIT, AND RACEWAYS MOUNTED ON ROOFTOPS SHALL BE ROUTED DIRECTLY TO, AND LOCATED AS CLOSE AS POSSIBLE TO THE NEAREST RIDGE, HIP, OR VALLEY.
- WORKING CLEARANCES AROUND ALL NEW AND EXISTING ELECTRICAL EQUIPMENT SHALL COMPLY WITH NEC 110.26.
- WHERE SIZES OF JUNCTION BOXES, RACEWAYS, AND CONDUITS ARE NOT SPECIFIED, THE CONTRACTOR SHALL SIZE THEM ACCORDINGLY.
- ALL WIRE TERMINATIONS SHALL BE APPROPRIATELY LABELED AND READILY VISIBLE.
- MODULE GROUNDING CLIPS TO BE INSTALLED BETWEEN MODULE FRAME AND MODULE SUPPORT RAIL, PER THE GROUNDING CLIP MANUFACTURERS INSTRUCTION.
- MODULE SUPPORT RAIL SHALL BE BONDED TO THE MODULE

**GOVERNING CODES**

- 2020 NATIONAL ELECTRICAL CODE
- 2018 NORTH CAROLINA BUILDING CODE / 2015 IBC
- 2018 NORTH CAROLINA RESIDENTIAL CODE / 2015 IRC
- 2018 NORTH CAROLINA FIRE CODE / 2015 IFC

AHJ NAME : ERWIN TOWN

**WIRING AND CONDUIT NOTES**

- ALL CONDUIT SIZES AND TYPES SHALL BE LISTED FOR ITS PURPOSE AND APPROVAL FOR THE SITE APPLICATIONS
- ALL PV CABLES AND HOMERUN WIRES BE #10AWG \*USE-2, PV WIRE, OR PROPRIETARY SOLAR CABLING SPECIFIED BY MFR, OR EQUIVALENT; ROUTED TO SOURCE CIRCUIT COMBINER BOXES AS REQUIRED
- ALL PV DC CONDUCTORS IN CONDUIT EXPOSED TO SUNLIGHT SHALL BE DERATED ACCORDING TO AS PER LATEST NEC CODE.
- EXPOSED ROOF PV DC CONDUCTORS SHALL BE USE-2, 90°C RATED, WET AND UV RESISTANT, AND UL LISTED RATED FOR 600V, UV RATED SPIRAL WRAP SHALL BE USED TO PROTECT WIRE FROM SHARP EDGES
- PHASE AND NEUTRAL CONDUCTORS SHALL BE DUAL RATED THHN/THWN-2 INSULATED, 90°C RATED, WET AND UV RESISTANT, RATED FOR 1000V PER NEC 2017
- 4-WIRE DELTA CONNECTED SYSTEMS HAVE THE PHASE WITH THE HIGHER VOLTAGE TO GROUND MARKED ORANGE OR IDENTIFIED BY OTHER EFFECTIVE MEANS
- ALL SOURCE CIRCUITS SHALL HAVE INDIVIDUAL SOURCE CIRCUIT PROTECTION
- VOLTAGE DROP LIMITED TO 2%
- AC CONDUCTORS >4AWG COLOR CODED OR MARKED: PHASE A OR L1- BLACK, PHASE B OR L2- RED, PHASE C OR L3- BLUE, NEUTRAL- WHITE/GRAY
- VOLTAGE DROP LIMITED TO 2%
- AC CONDUCTORS >4AWG COLOR CODED OR MARKED: PHASE AOR L1- BLACK, PHASE B OR L2- RED, PHASE C OR L3- BLUE, NEUTRAL- WHITE/GRAY

NOTICE TO CONTRACTOR  
All contractor must comply with current NC Building Codes and is subject to field inspection and verification.  
  
01/19/2023



Wyssling Consulting, PLLC  
76 N Meadowbrook Drive Alpine UT 84004  
North Carolina COA # P-2308  
Signed 1/09/2023

THIS PLAN HAS BEEN ELECTRONICALLY SIGNED AND SEALED BY SCOTT WYSSLING, PE USING A DIGITAL SIGNATURE AND DATE. PRINTED COPIES OF THIS DOCUMENT ARE NOT CONSIDERED SIGNED AND SEALED AND THE SIGNATURE MUST BE VERIFIED ON ANY ELECTRONIC COPIES

SYSTEM RATING
11.440 kWDC
7.540 kWAC

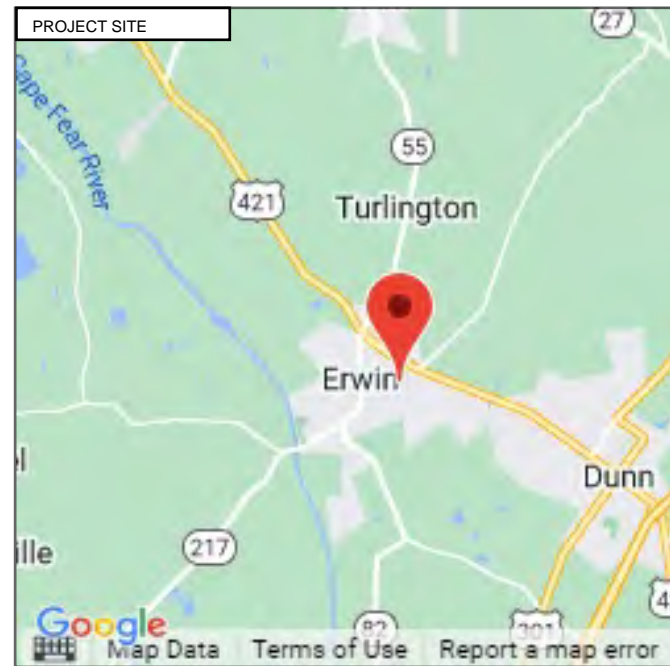
PHOTOVOLTAIC SYSTEM FIRE CLASSIFICATION LISTING IN ACCORDANCE WITH UL 1703 STANDARD.

SHEET INDEX	
PV1	COVER PAGE
PV2	SITE PLAN
PV3	ROOF PLAN
PV4-PV5	ATTACHMENT DETAILS
PV6	ELECTRICAL LINE & CALCS.
PV7	SPECIFICATIONS & NOTES
PV8	ELECTRICAL PHOTOS
PV9-PV10	SIGNAGE
PV11	JOB HAZARD ANALYSIS
PV12-PV22	EQUIPMENT SPECIFICATIONS



HOUSE PHOTO

SCALE: NTS



VICINITY MAP

SCALE: NTS



LGCY POWER  
3333 DIGITAL DR#600, LEHI, UT 84043, UNITED STATES  
PH# : (855) 353-4899

ELECTRICAL LIC#: U.21498

SYSTEM INFO
(26) APTOS DNA-120-MF10-440W
(26) ENPHASE IQ8PLUS -72-2-US (240V)
DC SYSTEM SIZE: 11.440 kWDC
AC SYSTEM SIZE: 7.540 kWAC
METER: 332 302 331

REVISIONS		
DESCRIPTION	DATE	REV

PROJECT NAME & ADDRESS

WADE  
RESIDENCE  
705 DENIM DR, ERWIN, NC 28339, USA  
EMAIL ID: SHANAMONK76@GMAIL.COM  
PHONE NO. (910) 723-3810

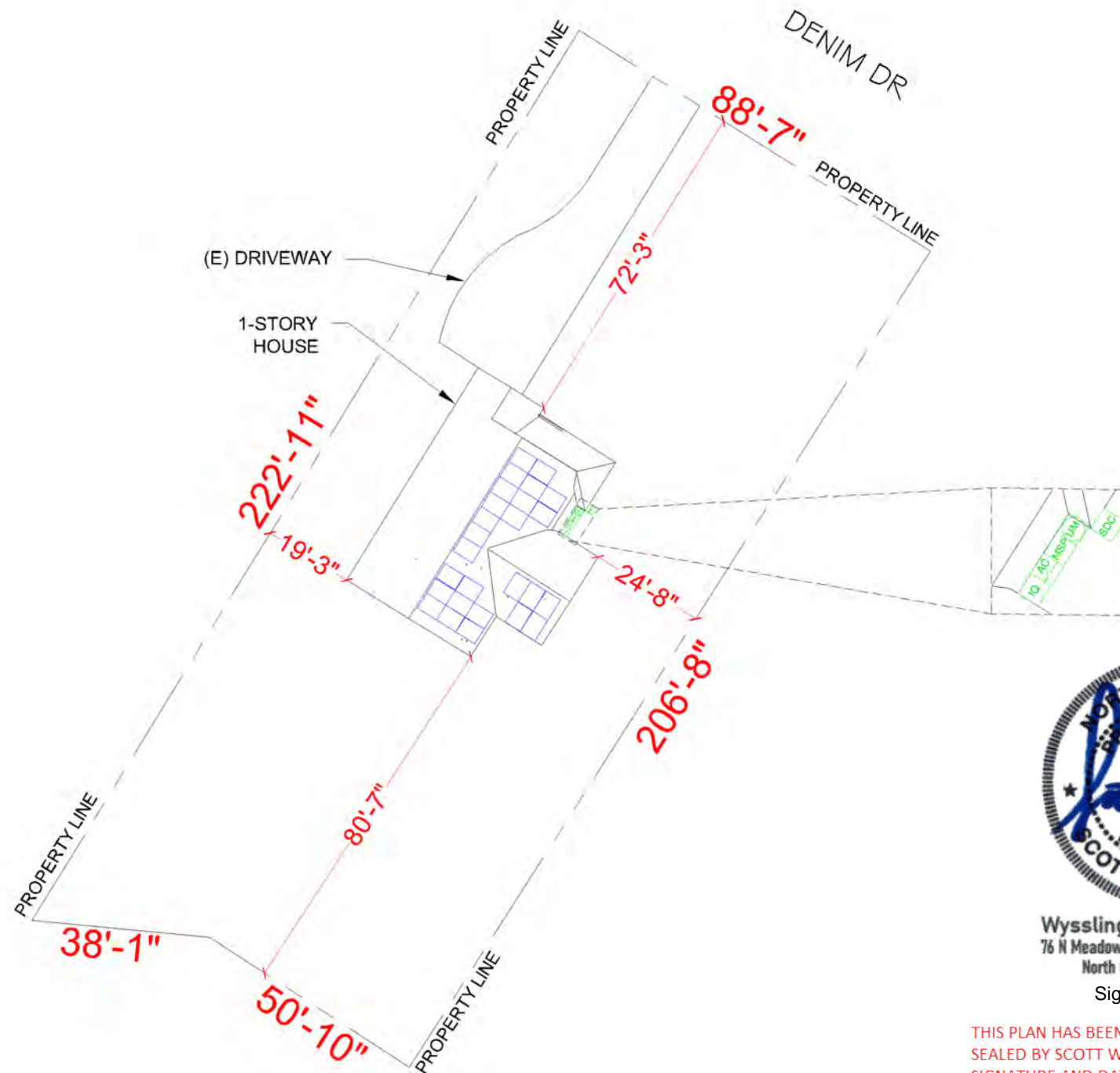
DATE: 9/1/2022
SHEET NAME <b>COVER PAGE</b>
SHEET SIZE <b>ANSI B 11" X 17"</b>
SHEET NUMBER <b>PV-1</b>

**SITE NOTES**

- A LADDER SHALL BE IN PLACE FOR INSPECTION IN COMPLIANCE WITH OSHA REGULATIONS.
- THE PV MODULES ARE CONSIDERED NON-COMBUSTIBLE AND THIS SYSTEM IS AN UTILITY INTERACTIVE SYSTEM WITH NO STORAGE BATTERIES.
- THE SOLAR PV INSTALLATION SHALL NOT OBSTRUCT ANY PLUMBING, MECHANICAL, OR BUILDING ROOF VENTS.
- PROPER ACCESS AND WORKING CLEARANCE AROUND EXISTING AND PROPOSED ELECTRICAL EQUIPMENT WILL BE PROVIDED AS PER SECTION [NEC 110.26]

**LEGEND**

- JB (N) JUNCTION BOX
- UM (E) UTILITY METER
- MSP (E) MAIN SERVICE PANEL
- SUB (N) SUB PANEL
- IQ (N) ENPHASE IQ COMBINER
- AC (N) NON FUSED AC DISCONNECT
- VENT, ATTIC FAN (ROOF OBSTRUCTION)
- ROOF ATTACHMENT
- CONDUIT
- ENPHASE IQ8PLUS -72-2-US (240V) MICROINVERTER
- APTOS DNA-120-MF10-440W MODULES
- UNIRAC SOLARMOUNT LIGHT RAIL 168" MILL
- TRENCH



Wyssling Consulting, PLLC  
 76 N Meadowbrook Drive Alpine UT 84004  
 North Carolina CDA # P-2308  
 Signed 1/09/2023

THIS PLAN HAS BEEN ELECTRONICALLY SIGNED AND SEALED BY SCOTT WYSSLING, PE USING A DIGITAL SIGNATURE AND DATE. PRINTED COPIES OF THIS DOCUMENT ARE NOT CONSIDERED SIGNED AND SEALED AND THE SIGNATURE MUST BE VERIFIED ON ANY ELECTRONIC COPIES

**LG CY POWER**  
 LG CY POWER  
 3333 DIGITAL DR#600, LEHI,  
 UT 84043, UNITED STATES  
 PH# : (855) 353-4899

*Scott E. Wyssling*

ELECTRICAL LIC#: U.21498

SYSTEM INFO	
(26) APTOS DNA-120-MF10-440W	
(26) ENPHASE IQ8PLUS -72-2-US (240V)	
DC SYSTEM SIZE: 11.440 kWDC	
AC SYSTEM SIZE: 7.540 kWAC	
METER: 332 302 331	

REVISIONS		
DESCRIPTION	DATE	REV

PROJECT NAME & ADDRESS

WADE  
 RESIDENCE  
 705 DENIM DR, ERWIN, NC 28339, USA  
 EMAIL ID: SHANAMONK76@GMAIL.COM  
 PHONE NO. (910) 723-3810

DATE: 9/1/2022
SHEET NAME <b>SITE PLAN</b>
SHEET SIZE <b>ANSI B 11" X 17"</b>
SHEET NUMBER <b>PV-2</b>



SCALE: 1/32" = 1'-0"

METER NO#: 332 302 331

DESIGN SPECIFICATION	
RISK CATEGORY:	II
CONSTRUCTION:	SFD
ZONING:	RESIDENTIAL
SNOW LOAD (ASCE7-10):	10 PSF
EXPOSURE CATEGORY:	C
WIND SPEED (ASCE7-10):	119 MPH

MODULE TYPE, DIMENSIONS & WEIGHT	
NUMBER OF MODULES:	26 MODULES
MODULE TYPE:	APTOS DNA-120-MF10-440W
MODULE WEIGHT:	52.9 LBS
MODULE DIMENSIONS:	74.92" X 44.65" = 23.23 SF
UNIT WEIGHT OF AREA:	2.28 PSF

ROOF DESCRIPTION					
ROOF	ROOF TILT	AZIMUTH	TRUSS SIZE	TRUSS SPACING	ROOF MATERIAL
#1	40°	122°	2" x 4"	24" o.c.	COMP SHINGLE
#2	35°	212°	2" x 4"	24" o.c.	COMP SHINGLE

ARRAY AREA & ROOF AREA CALC'S		
ROOF	# OF MODULES	ARRAY AREA (Sq. Ft.)
#1	21	487.84
#2	5	116.16
(TOTAL ARRAY AREA/TOTAL ROOF AREA) X 100%		
= (604/1970.26) X 100% = 30.66%		

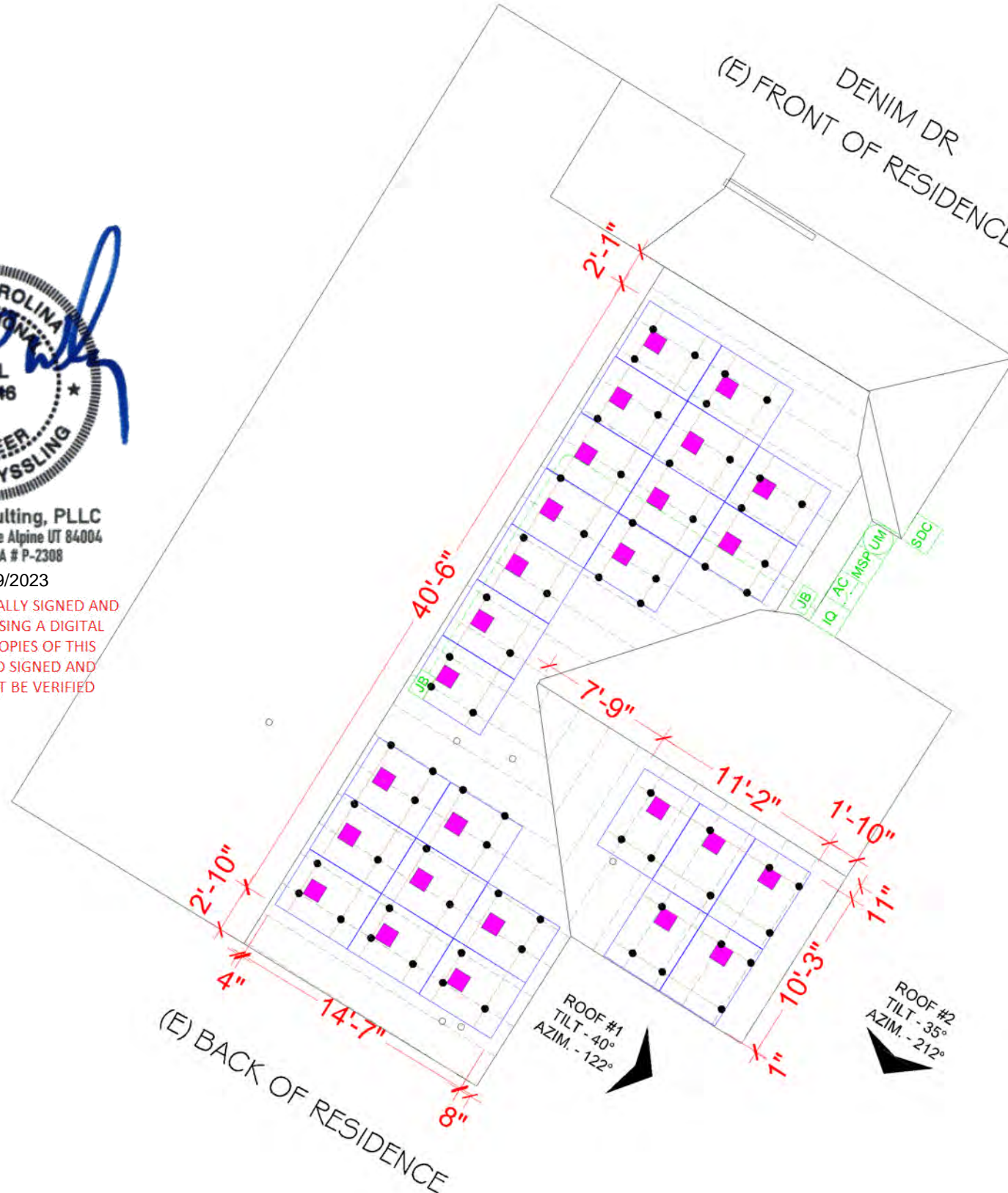
INVERTER SPECIFICATIONS	
MANUFACTURER / MODEL	ENPHASE IQ8PLUS -72-2-US (240V)
MAX DC SHORT CIRCUIT CURRENT	15 A
CONTINUOUS OUTPUT CURRENT	1.21 A

LEGEND	
	(N) JUNCTION BOX
	(E) UTILITY METER
	(E) MAIN SERVICE PANEL
	(N) SUB PANEL
	(N) ENPHASE IQ COMBINER
	(N) NON FUSED AC DISCONNECT
	VENT, ATTIC FAN (ROOF OBSTRUCTION)
	ROOF ATTACHMENT
	CONDUIT
	ENPHASE IQ8PLUS -72-2-US (240V) MICROINVERTER
	APTOS DNA-120-MF10-440W MODULES
	UNIRAC SOLARMOUNT LIGHT
	RAIL 168" MILL
	TRENCH
PANEL HEIGHT OFF ROOF	4"



Wysling Consulting, PLLC  
 76 N Meadowbrook Drive Alpine UT 84004  
 North Carolina COA # P-2308  
 Signed 1/09/2023

THIS PLAN HAS BEEN ELECTRONICALLY SIGNED AND SEALED BY SCOTT WYSSLING, PE USING A DIGITAL SIGNATURE AND DATE. PRINTED COPIES OF THIS DOCUMENT ARE NOT CONSIDERED SIGNED AND SEALED AND THE SIGNATURE MUST BE VERIFIED ON ANY ELECTRONIC COPIES



LGCY POWER  
 3333 DIGITAL DR#600, LEHI,  
 UT 84043, UNITED STATES  
 PH# : (855) 353-4899

ELECTRICAL LIC#: U.21498

SYSTEM INFO
(26) APTOS DNA-120-MF10-440W
(26) ENPHASE IQ8PLUS -72-2-US (240V)
DC SYSTEM SIZE: 11.440 kWDC
AC SYSTEM SIZE: 7.540 kWAC
METER: 332 302 331

REVISIONS		
DESCRIPTION	DATE	REV

PROJECT NAME & ADDRESS

WADE  
 RESIDENCE  
 705 DENIM DR, ERWIN, NC 28339, USA  
 EMAIL ID: SHANAMONK76@GMAIL.COM  
 PHONE NO. (910) 723-3810

DATE: 9/1/2022

SHEET NAME  
**ROOF PLAN**

SHEET SIZE  
**ANSI B  
 11" X 17"**

SHEET NUMBER  
**PV-3**



SCALE: 1/8" = 1'-0"

METER NO#: 332 302 331

*Scott E. Wyssling*

ELECTRICAL LIC#: U.21498

SYSTEM INFO

(26) APTOS  
DNA-120-MF10-440W

(26) ENPHASE  
IQ8PLUS-72-2-US (240V)

DC SYSTEM SIZE: 11.440 kWDC  
AC SYSTEM SIZE: 7.540 kWAC

METER: 332 302 331

REVISIONS

DESCRIPTION	DATE	REV

PROJECT NAME & ADDRESS

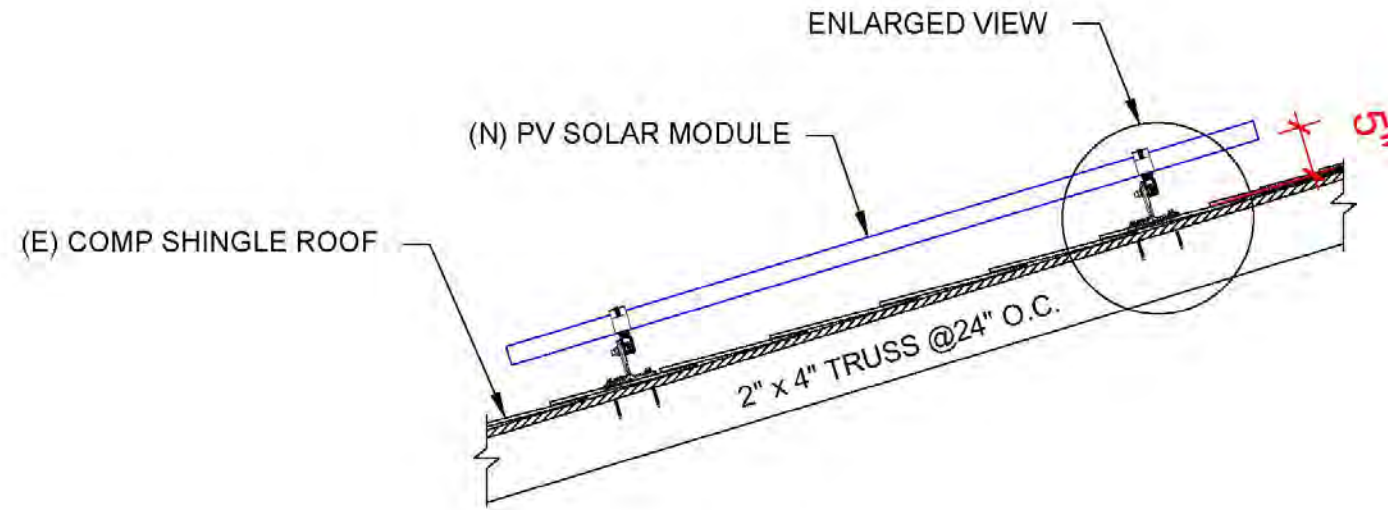
WADE  
RESIDENCE  
705 DENIM DR, ERWIN, NC 28339, USA  
EMAIL ID: SHANAMONK76@GMAIL.COM  
PHONE NO. (910) 723-3810

DATE: 9/1/2022

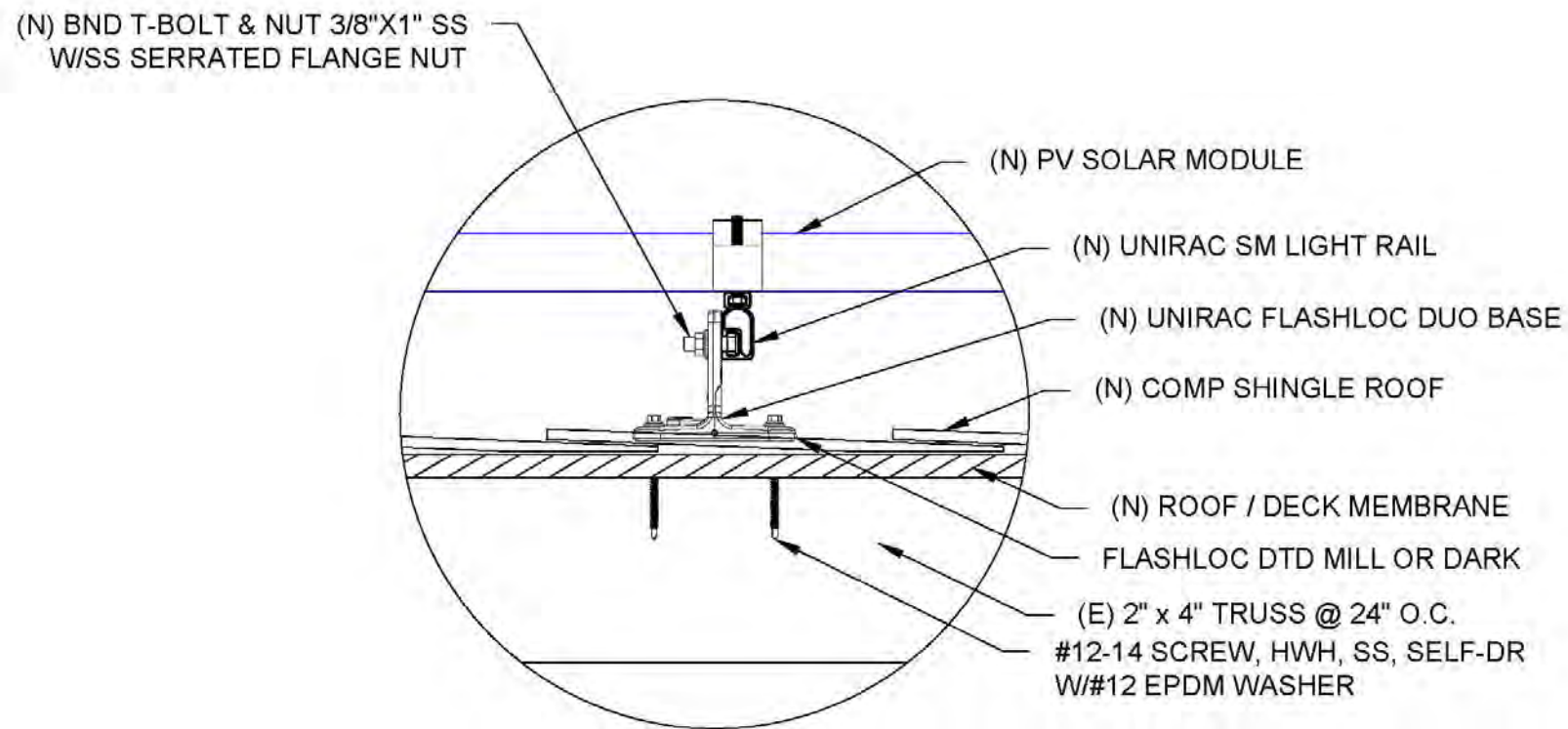
SHEET NAME  
**ATTACHMENT  
DETAILS**

SHEET SIZE  
**ANSI B  
11" X 17"**

SHEET NUMBER  
**PV-4**



**1 ATTACHMENT DETAILS**



**2 ENLARGED VIEW OF ATTACHMENT**

SCALE: NTS



Wyssling Consulting, PLLC  
76 N Meadowbrook Drive Alpine UT 84004  
North Carolina COA # P-2308

Signed 1/09/2023

THIS PLAN HAS BEEN ELECTRONICALLY SIGNED AND SEALED BY SCOTT WYSSLING, PE USING A DIGITAL SIGNATURE AND DATE. PRINTED COPIES OF THIS DOCUMENT ARE NOT CONSIDERED SIGNED AND SEALED AND THE SIGNATURE MUST BE VERIFIED ON ANY ELECTRONIC COPIES

*Scott E. Wyssling*

ELECTRICAL LIC#: U.21498

SYSTEM INFO
(26) APTOS DNA-120-MF10-440W
(26) ENPHASE IQ8PLUS -72-2-US (240V)
DC SYSTEM SIZE: 11.440 kWDC
AC SYSTEM SIZE: 7.540 kWAC
METER: 332 302 331

REVISIONS		
DESCRIPTION	DATE	REV

PROJECT NAME & ADDRESS

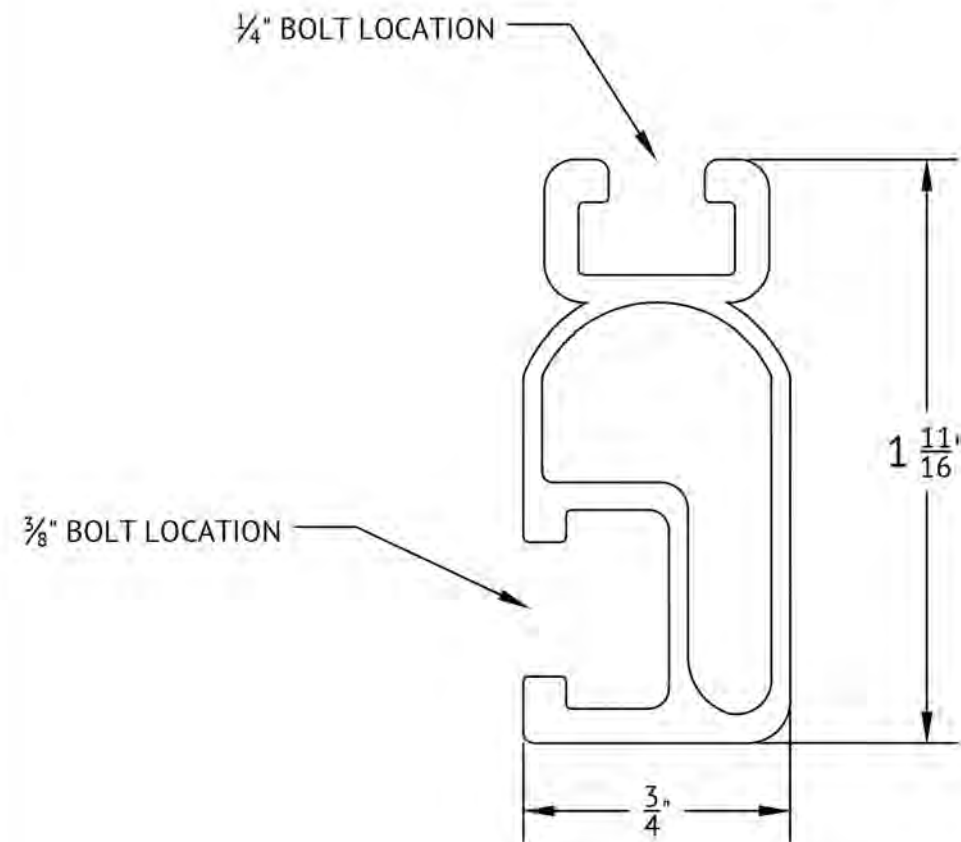
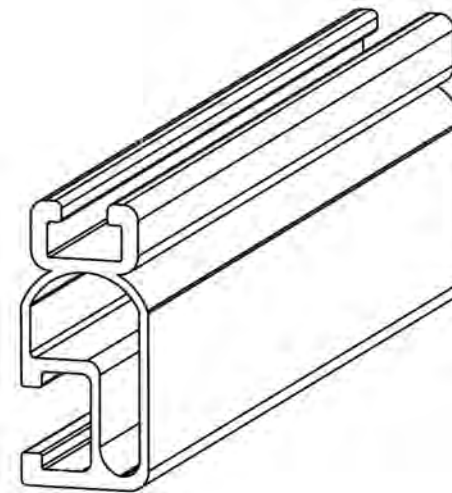
WADE  
RESIDENCE  
705 DENIM DR, ERWIN, NC 28339, USA  
EMAIL ID: SHANAMONK76@GMAIL.COM  
PHONE NO. (910) 723-3810

DATE: 9/1/2022

SHEET NAME  
**ATTACHMENT  
DETAILS**

SHEET SIZE  
**ANSI B  
11" X 17"**

SHEET NUMBER  
**PV-5**



Wyssling Consulting, PLLC  
76 N Meadowbrook Drive Alpine UT 84004  
North Carolina COA # P-2308  
Signed 1/09/2023

THIS PLAN HAS BEEN ELECTRONICALLY SIGNED AND SEALED BY SCOTT WYSSLING, PE USING A DIGITAL SIGNATURE AND DATE. PRINTED COPIES OF THIS DOCUMENT ARE NOT CONSIDERED SIGNED AND SEALED AND THE SIGNATURE MUST BE VERIFIED ON ANY ELECTRONIC COPIES

**UNIRAC**  
1411 BROADWAY BLVD NE  
ALBUQUERQUE, NM 87102 USA  
WWW.UNIRAC.COM

<b>PRODUCT LINE:</b>	SOLARMOUNT
<b>DRAWING TYPE:</b>	PART DETAIL
<b>DESCRIPTION:</b>	LIGHT RAIL
<b>REVISION DATE:</b>	APRIL 2016

DRAWING NOT TO SCALE  
ALL DIMENSIONS ARE NOMINAL

PRODUCT PROTECTED BY ONE  
OR MORE US PATENTS  
**LEGAL NOTICE**

**SM-P02**  
SHEET

ID	TYPICAL	INITIAL CONDUCTOR LOCATION	FINAL CONDUCTOR LOCATION	CONDUCTOR			CONDUIT	# OF PARALLEL CIRCUITS	CURRENT-CARRYING CONDUCTORS IN CIRCUIT	CONDUIT FILL PERCENT	OCPD	EGC		TEMP. CORR. FACTOR		CONDUIT FILL FACTOR	CONT. CURRENT	MAX. CURRENT	BASE AMP.	DERATED AMP.	TERM. TEMP. RATING	LENGTH	VOTAGE DROP
				6 AWG	BARE COPPER	(57°C)						(57°C)											
1	2	ARRAY	JUNCTION BOX	12 AWG	Q CABLE	COPPER	-	1	2	N/A	N/A	6 AWG	BARE COPPER	0.71	(57°C)	N/A	15.73A	19.66A	N/A	N/A	75°C	64FT	0.76%
2	1	JUNCTION BOX	JUNCTION BOX 1	12-2 GAUGE	ROMEX	COPPER	-	1	2	N/A	N/A	6 AWG	THWN-2 COPPER	0.71	(57°C)	N/A	15.73A	19.66A	N/A	N/A	75°C	30FT	0.76%
3	1	JUNCTION BOX 1	IQ COMBINER BOX	8 AWG	THWN 2	COPPER	MIN 0.75" DIA EMT	2	4	36.21%	40A	6 AWG	THWN-2 COPPER	0.96	(35°C)	0.8	31.46A	39.33A	55A	42.24A	75°C	12FT	0.13%
4	1	IQ COMBINER BOX	NON FUSED AC DISCONNECT	8 AWG	THWN 2	COPPER	MIN 0.75" DIA EMT	1	3	29.46%	N/A	6 AWG	THWN-2 COPPER	0.96	(35°C)	1	31.46A	39.33A	55A	52.80A	75°C	5FT	0.11%
5	1	NON FUSED AC DISCONNECT	MSP	8 AWG	THWN 2	COPPER	MIN 0.75" DIA EMT	1	3	29.46%	N/A	6 AWG	THWN-2 COPPER	0.96	(35°C)	1	31.46A	39.33A	55A	52.80A	75°C	5FT	0.11%
6	1	MSP	SUB PANEL DISCONNECT	3/0 AWG	THWN 2	COPPER	MIN 2" DIA EMT	1	3	9.87%	200A	6 AWG	THWN-2 COPPER	0.96	(35°C)	1	31.46A	200A	225A	216.00A	75°C	5FT	0.16%

**LGCY POWER**  
 LGCY POWER  
 3333 DIGITAL DR#600, LEHI,  
 UT 84043, UNITED STATES  
 PH# : (855) 353-4899

*Chad S. ...*

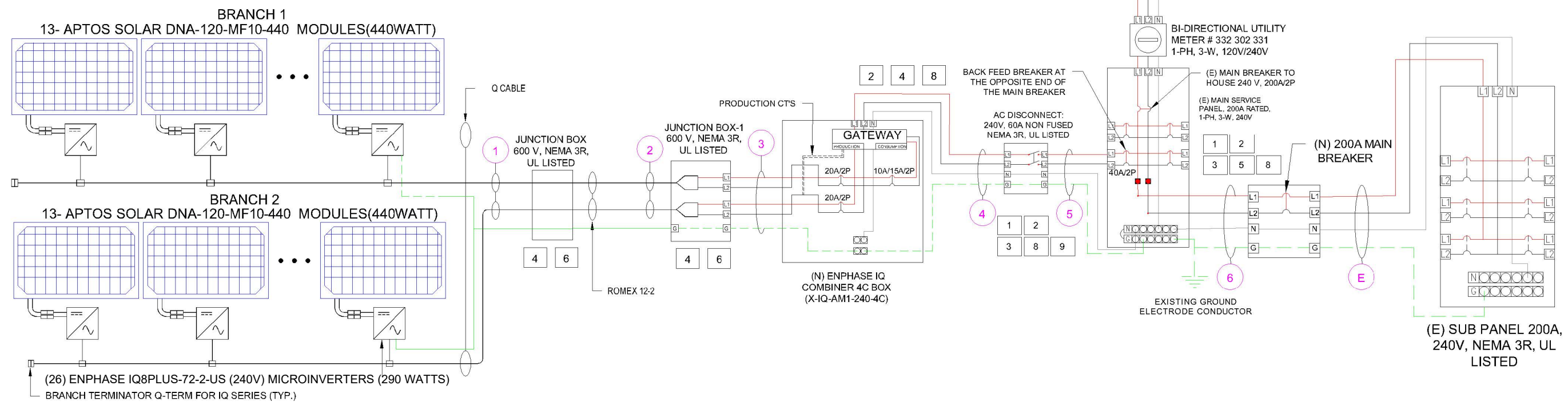
ELECTRICAL LIC#: U.21498

SYSTEM INFO
(26) APTOS DNA-120-MF10-440W
(26) ENPHASE IQ8PLUS-72-2-US (240V)
DC SYSTEM SIZE: 11.440 kWDC
AC SYSTEM SIZE: 7.540 kWAC
METER: 332 302 331

REVISIONS		
DESCRIPTION	DATE	REV

PROJECT NAME & ADDRESS

WADE  
 RESIDENCE  
 705 DENIM DR, ERWIN, NC 28339, USA  
 EMAIL ID: SHANAMONK76@GMAIL.COM  
 PHONE NO. (910) 723-3810



SCALE: NTS

METER NO#: 332 302 331

INTERCONNECTION 120% RULE - NEC 705.12(B)(2)(3)(b)
UTILITY FEED + SOLAR BACKFEED 200A + 40A = 240A
BUSS RATING X 120% 200A x 120% = 240A

SERVICE INFO	
UTILITY PROVIDER:	DUKE ENERGY PROGRESS
AHJ NAME:	ERWIN TOWN
MAIN SERVICE VOLTAGE:	240V
MAIN PANEL BRAND:	CUTLER HAMMER
MAIN SERVICE PANEL:	200 A
MAIN BREAKER RATING:	200 A
MAIN SERVICE LOCATION:	EAST
SERVICE FEED SOURCE:	UNDERGROUND

DATE: 9/1/2022
SHEET NAME <b>ELECTRICAL LINE &amp; CALCS.</b>
SHEET SIZE <b>ANSI B 11" X 17"</b>
SHEET NUMBER <b>PV-6</b>



SOLAR MODULE SPECIFICATIONS	
MANUFACTURER / MODEL	APTOS DNA-120-MF10-440W
VMP	33.82 V
IMP	13.01 A
VOC	40.8 V
ISC	13.61 A
TEMP. COEFF. VOC	-0.31%/K
PTC RATING	406 W
MODULE DIMENSION	74.92"(L) x 44.65"(W)
PANEL WATTAGE	440 W

INVERTER SPECIFICATIONS	
MANUFACTURER / MODEL	ENPHASE IQ8PLUS -72-2-US (240V)
MAX DC SHORT CIRCUIT CURRENT	15 A
CONTINUOUS OUTPUT CURRENT	1.21 A

AMBIENT TEMPERATURE SPECS	
RECORD LOW TEMP	-10°C
AMBIENT TEMP (HIGH TEMP 2%)	35°C
CONDUIT HEIGHT	7/8"
ROOF TOP TEMP	90°C
CONDUCTOR TEMPERATURE RATE	57°C
MODULE TEMPERATURE COEFFICIENT OF VOC	-0.31%/K

PERCENT OF VALUES	NUMBER OF CURRENT CARRYING CONDUCTORS IN EMT
0.80	4-6
0.70	7-9
0.50	10-20

### VOLTAGE RISE IN Q CABLE FROM THE MICROINVERTERS TO THE JUNCTION BOX

FOR BRANCH CIRCUIT #1 OF 13 IQ8PLUS MICROS, THE VOLTAGE RISE ON THE 240 VAC Q CABLE IS 0.76%  
 FOR BRANCH CIRCUIT #2 OF 13 IQ8PLUS MICROS, THE VOLTAGE RISE ON THE 240 VAC Q CABLE IS 0.76%

### VOLTAGE RISE FROM THE JUNCTION BOX 1 TO THE IQ COMBINER BOX

VRISE = (AMPS/INVERTER X NUMBER OF INVERTERS) X (RESISTANCE IN OHMS/FT.) X (2-WAY WIRE LENGTH IN FT.)  
 = (1.21 AMP X 13) X (0.000809 OHMS/FT) X (12 FT X 2)  
 = 15.73 AMPS X 0.000809 OHMS/FT) X 24 FT  
 = 0.31 VOLTS

%VRISE = 0.31 VOLTS ÷ 240 VOLTS = 0.13%  
 THE VOLTAGE RISE FROM THE JUNCTION BOX 1 TO THE IQ COMBINER BOX IS 0.13%

### VOLTAGE RISE FROM THE IQ COMBINER BOX TO THE NON FUSED AC DISCONNECT

VRISE = (AMPS/INVERTER X NUMBER OF INVERTERS) X (RESISTANCE IN OHMS/FT.) X (2-WAY WIRE LENGTH IN FT.)  
 = (1.21 AMP X 26) X (0.000809 OHMS/FT) X (5 FT X 2)  
 = 31.46 AMPS X 0.000809 OHMS/FT) X 10 FT  
 = 0.25 VOLTS

%VRISE = 0.25 VOLTS ÷ 240 VOLTS = 0.11%  
 THE VOLTAGE RISE FROM THE IQ COMBINER BOX TO THE NON FUSED AC DISCONNECT IS 0.11%

### VOLTAGE RISE FROM THE NON FUSED AC DISCONNECT TO THE MSP

VRISE = (AMPS/INVERTER X NUMBER OF INVERTERS) X (RESISTANCE IN OHMS/FT.) X (2-WAY WIRE LENGTH IN FT.)  
 = (1.21 AMP X 26) X (0.000809 OHMS/FT) X (5 FT X 2)  
 = 31.46 AMPS X 0.000809 OHMS/FT) X 10 FT  
 = 0.25 VOLTS

%VRISE = 0.25 VOLTS ÷ 240 VOLTS = 0.11%  
 THE VOLTAGE RISE FROM THE NON FUSED AC DISCONNECT TO THE MSP IS 0.11%

### TOTAL SYSTEM VOLTAGE RISE FOR ALL WIRE SECTIONS

0.76% + 0.13% + 0.11% + 0.11% = 1.11%



LGCY POWER  
 3333 DIGITAL DR#600, LEHI,  
 UT 84043, UNITED STATES  
 PH# : (855) 353-4899

*Chad S. ...*

ELECTRICAL LIC#: U.21498

SYSTEM INFO
(26) APTOS DNA-120-MF10-440W
(26) ENPHASE IQ8PLUS -72-2-US (240V)
DC SYSTEM SIZE: 11.440 kWDC
AC SYSTEM SIZE: 7.540 KWAC
METER: 332 302 331

REVISIONS		
DESCRIPTION	DATE	REV

#### PROJECT NAME & ADDRESS

WADE  
 RESIDENCE  
 705 DENIM DR, ERWIN, NC 28339, USA  
 EMAIL ID: SHANAMONK76@GMAIL.COM  
 PHONE NO. (910) 723-3810

DATE: 9/1/2022
SHEET NAME <b>SPECIFICATIONS &amp; NOTES</b>
SHEET SIZE <b>ANSI B 11" X 17"</b>
SHEET NUMBER <b>PV-7</b>



**Cutler-Hammer**

CAT. NO.	SERIE A HINGLES SIN ARILLO DE RETENCIÓN	BREAKER HANDLE IN MID-POSITION INDICATES BREAKER IS TRIPPED. TO RESTORE SERVICE MOVE HANDLE TO EXTREME OFF, THEN TO ON.
MB816B200BTS	MAIN BREAKER DISYUNTOR PRINCIPAL	LA PALANCA DEL DISYUNTOR EN LA POSICIÓN MEDIA, INDICA QUE EL DISYUNTOR SE HA DISPARADO. PARA RESTABLECER EL SERVICIO, MOVER LA PALANCA AL EXTREMO <<OFF>>, LUEGO A <<ON>>.
MB816P200BTS	INSTALL MAIN BREAKER INSTALADO DISYUNTOR PRINCIPAL	WHEN USED AS SERVICE EQUIPMENT, ANY UNUSED NEUTRAL HOLES MAY BE USED FOR EQUIPMENT GROUNDING. WIRE HOLES ARE SUITABLE FOR (1) 14-4 OR UP TO (3) #10-14 WIRES. MULTIPLE WIRES IN A SINGLE HOLE MUST BE OF THE SAME SIZE AND MATERIAL.
MB816P200BTSD	INSTALADO DISYUNTOR PRINCIPAL	CUANDO SE COMO EQUIPO DE SERVICIO, CUALQUIERA DE LOS ORIFICIOS NEUTROS NO UTILIZADOS PUEDE HABILITARSE PARA CONECTAR EL EQUIPO A TIERRA. LOS ORIFICIOS DE CABLEADO ADMITEN UN CONDUCTOR N 14-4 O HASTA TRES NÚM. 10-14. LOS DIFERENTES HILOS INSERTOS EN UN SOLO ORIFICIO DEBEN SER DEL MISMO CALIBRE Y MATERIAL.
MB816B200BTSCU	MAIN BREAKER DISYUNTOR PRINCIPAL	INSTALLATION AND USE OF THIS EQUIPMENT SHOULD BE IN ACCORDANCE WITH ALL APPLICABLE LOCAL AND NATIONAL CODES.
MB816P200BTSCU	INSTALL MAIN BREAKER INSTALADO DISYUNTOR PRINCIPAL	LA INSTALACIÓN Y EL USO DE ESTE EQUIPO DEBERÁN AJUSTARSE A TODOS LOS CÓDIGOS LOCALES Y NACIONALES APLICABLES.
MB816P200BTSCUD	INSTALL MAIN BREAKER INSTALADO DISYUNTOR PRINCIPAL	TO CLOSE UNUSED OPENINGS IN COVER USE CUTLER-HAMMER CAT. NO. BRFP.
200 AMPS MAX (SEE MAIN CIRCUIT BREAKER RATING) MÁX. 200 AMPS (VER CAPACIDAD DISYUNTOR PRINCIPAL)	(C) COPPER BUS (C) BARRAS E INYENTADORAS DE COBRE (D) SH JAW INSTALLED (D) UN QUINTA MORDAZA VENE INSTALADO	PARA CUBRIR LAS ABERTURAS NO EMPLEADAS EN LA CUBIERTA, UTILIZAR EL NÚM. DE CAT. BRFP DE CUTLER-HAMMER.
120/240 VAC 1 PHASE-3W V-120/240, 60 HZ MONOFÁSICA-3 HILOS 120/240 VAC 1 PHASE-3W (RELAY PHASE TO 4W NETWORK)		SUITABLE FOR UNDERGROUND OR OVERHEAD SERVICE ENTRY. APTO PARA ENTRADAS DE SERVICIO SUBTERRÁNEAS O AÉREAS.
V-208Y/120, 60 HZ MONOFÁSICA-3 HILOS (DE 150 TRIFÁSICA 3 HILOS)		BREAKER TERMINALS SUITABLE FOR AL-CU WIRE WHEN SO MARKED. REFER TO MARKINGS ON BREAKERS.
TYPE 3R ENCLOSURE-OUTDOOR GABINETE TIPO 3R - PARA EXTERIORES		LOS BORNES DEL DISYUNTOR SON APTOS PARA CABLE CUAL CUANDO ESTÁ ASÍ INDICADO. VER LAS MARCAS ESTAMPADAS EN LOS DISYUNTORES.
SHORT CIRCUIT RATING WITH MAIN BREAKER: 15,000 AMPS, 240 VAC MAX. 10,000 AMPS WITH CUTLER-HAMMER TYPE BW MAIN OR 25,000 AMPS WITH CUTLER-HAMMER TYPE BWH OR CSR MAIN BREAKER AND BR, BRAF, BD, BQ, BOC, PR, BRSN, BRWH, GFCB OR GFEP BRANCH CIRCUIT BREAKERS. CAPACIDAD DE CORTOCIRCUITO CON DISYUNTOR PRINCIPAL: 15,000 AMPS EFECTIVOS, MÁX. V-240) 10,000 AMPS CON DISYUNTOR PRINCIPAL CUTLER-HAMMER TIPO BW O CSR MAIN O 25,000 AMPS CON DISYUNTOR PRINCIPAL CUTLER-HAMMER TIPO BWH Y TIPO YUNY, RES DERIVADOS BR, BRAF, BD, BQ, BOC, PR, BRSN, BRWH, GFCB O GFEP.		METER SOCKET RATED 200 AMPS CONTINUOUS UNLESS NOTED. MÓDULOS DE MEDICIÓN: 200 A EN RÉGIMEN PERMANENTE A MENOS QUE SE LE INDIQUE.
ADDITIONAL OR REPLACEMENT BREAKERS SHALL BE THE SAME MANUFACTURER AND TYPE AND SHALL HAVE AN INTERRUPTING RATING EQUAL TO OR GREATER THAN THE INTERRUPTING RATING OF ANY CIRCUIT BREAKER INSTALLED. DISYUNTORES ADICIONALES O DE REEMPLAZO DEBERÁN SER DE LA MISMA MARCA Y TIPO Y TENER UNA CAPACIDAD DE INTERRUCCIÓN IGUAL O SUPERIOR A LA DE CUALQUIER DISYUNTOR INSTALADO.		
WITHOUT METER NOT INCLUDED IN SHORT CIRCUIT RATING. EL VATICHOÍSMETRO NO ESTÁ INCLUIDO EN LA CAPACIDAD DE CORTOCIRCUITO.		

*Electrician Signature*

ELECTRICAL LIC#: U.21498

SYSTEM INFO		
(26) APTOS	DNA-120-MF10-440W	
(26) ENPHASE	IQ8PLUS-72-2-US (240V)	
DC SYSTEM SIZE:	11.440 KWDC	
AC SYSTEM SIZE:	7.540 KWAC	
METER: 332 302 331		

REVISIONS		
DESCRIPTION	DATE	REV

PROJECT NAME & ADDRESS

WADE  
RESIDENCE  
705 DENIM DR, ERWIN, NC 28339, USA  
EMAIL ID: SHANAMONK76@GMAIL.COM  
PHONE NO. (910) 723-3810

DATE: 9/1/2022

SHEET NAME  
**ELECTRICAL  
PHOTOS**

SHEET SIZE  
**ANSI B  
11" X 17"**

SHEET NUMBER  
**PV-8**

1

**PHOTOVOLTAIC AC DISCONNECT**  
RATED AC OUTPUT CURRENT 31.46 AMPS  
NOMINAL OPERATING AC VOLTAGE 240 VOLTS

LABEL LOCATION:  
MAIN SERVICE PANEL/MAIN SERVICE DISCONNECT/AC DISCONNECT  
PER CODE: NEC 690.13(B)

2

**! WARNING**  
**ELECTRIC SHOCK HAZARD**  
TERMINALS ON BOTH LINE AND LOAD SIDES MAY BE ENERGIZED IN THE OPEN POSITION

LABEL LOCATION:  
POINT OF INTERCONNECTION, MAIN SERVICE DISCONNECT, AC DISCONNECT, AC COMBINER, INVERTER  
PER CODE: NEC 690.13(B)

3

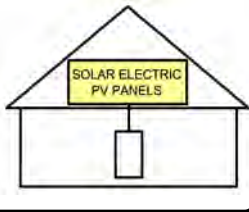
**WARNING**  
**INVERTER OUTPUT CONNECTION DO NOT RELOCATE THIS OVERCURRENT DEVICE**

LABEL LOCATION:  
PLACE THIS LABEL AT P.O.C. TO SERVICE DISTRIBUTION EQUIPMENT (I.E. MAIN PANEL (AND SUBPANEL IF APPLICABLE))  
PER CODE: NEC705.12(D)(2)(b)

4

**SOLAR PV SYSTEM EQUIPPED WITH RAPID SHUTDOWN**

TURN RAPID SHUTDOWN SWITCH TO THE "OFF" POSITION TO SHUT DOWN PV SYSTEM AND REDUCE SHOCK HAZARD IN THE ARRAY



LABEL LOCATION:  
MAIN SERVICE DISCONNECT IF MSD IS OUTSIDE PLACE IT THERE / IF MSD IS INSIDE PLACE ON THE AC DISCONNECT  
PER CODE: NEC 690.56(C)(1)(a)

5

**CAUTION : SOLAR CIRCUIT**

LABEL LOCATION:  
MARKINGS PLACED ON ALL INTERIOR AND EXTERIOR CONDUIT, RACEWAYS, ENCLOSURES, AND CABLE ASSEMBLIES AT LEAST EVERY 10 FT. AT TURNS AND ABOVE/BELOW PENETRATIONS AND ALL COMBINER/JUNCTION BOXES  
PER CODE: IFC 606.11.1.4

6

**CAUTION : SOLAR ELECTRIC SYSTEM CONNECTED**

LABEL LOCATION:  
POINT OF INTERCONNECTION & INVERTER  
PER CODE: NEC 690.15 & 690.13(B)

7

**WARNING - Electric Shock Hazard**  
**No user serviceable parts inside**  
Contact authorized service provider for assistance

LABEL LOCATION:  
INVERTER & JUNCTION BOXES (ROOF)  
PER CODE: NEC 690.13 (G)(3) & 690.13 (G)(4)

8

**WARNING:**  
**PHOTOVOLTAIC POWER SOURCE**

LABEL LOCATION:  
CONDUIT  
PER CODE: 2017 NEC 690.31(G)(3)

9

**! CAUTION**  
**DUAL POWER SOURCE SECOND SOURCE IS PHOTOVOLTAIC**

LABEL LOCATION:  
MAIN SERVICE DISCONNECT/ AC DISCONNECT/ MAIN SERVICE PANEL/ REVENUE METER/ AC COMBINER  
PER CODE: NEC 705.12(B)(3)

10

**PHOTOVOLTAIC SYSTEM UTILITY DISCONNECT SWITCH**

LABEL LOCATION:  
AC DISCONNECT  
PER CODE: NEC 690.56(C)(3)



LGCY POWER  
3333 DIGITAL DR#600, LEHI, UT 84043, UNITED STATES  
PH# : (855) 353-4899

*Electric 2 Services Inc.*

ELECTRICAL LIC#: U.21498

SYSTEM INFO	
(26) APTOS	DNA-120-MF10-440W
(26) ENPHASE	IQ8PLUS -72-2-US (240V)
DC SYSTEM SIZE:	11.440 kWDC
AC SYSTEM SIZE:	7.540 kWAC
METER: 332 302 331	

REVISIONS		
DESCRIPTION	DATE	REV

PROJECT NAME & ADDRESS

WADE  
RESIDENCE  
705 DENIM DR, ERWIN, NC 28339, USA  
EMAIL ID: SHANAMONK76@GMAIL.COM  
PHONE NO. (910) 723-3810

DATE: 9/1/2022

SHEET NAME  
**SIGNAGE**

SHEET SIZE  
**ANSI B  
11" X 17"**

SHEET NUMBER  
**PV-9**

- ADHESIVE FASTENED SIGNS**
- THE LABEL SHALL BE SUITABLE FOR THE ENVIRONMENT WHERE IT IS INSTALLED.
  - WHERE REQUIRED ELSEWHERE IN THIS CODE, ALL FIELD APPLIED LABELS, WARNING AND MARKINGS SHOULD COMPLY WITH ANSI 2535.4 [NEC 110.21(B) FIELD MARKING].
  - ADHESIVE FASTENED SIGNS MAY BE ACCEPTABLE IF PROPERLY ADHERED. VINYL SIGNS SHALL BE WEATHER RESISTANT [IFC 605.11.1.3]



**LABEL LOCATION:**  
EACH SERVICE EQUIPMENT LOCATION AND AT THE LOCATION(S) OF THE SYSTEM DISCONNECT(S)  
FOR ALL ELECTRIC POWER PRODUCTION SOURCES CAPABLE OF BEING INTERCONNECTED  
(PER CODE: NEC 705.10)

SYSTEM INFO	
(26) APTOS	DNA-120-MF10-440W
(26) ENPHASE	IQ8PLUS-72-2-US (240V)
DC SYSTEM SIZE: 11.440 kWDC	
AC SYSTEM SIZE: 7.540 kWAC	
METER: 332 302 331	

REVISIONS		
DESCRIPTION	DATE	REV

PROJECT NAME & ADDRESS

WADE  
RESIDENCE  
705 DENIM DR, ERWIN, NC 28339, USA  
EMAIL ID: SHANAMONK76@GMAIL.COM  
PHONE NO. (910) 723-3810

DATE: 9/1/2022

SHEET NAME  
**SIGNAGE**

SHEET SIZE  
**ANSI B  
11" X 17"**

SHEET NUMBER  
**PV-10**



FIELD DESIGN REQUEST FORM

JOB HAZARD ANALYSIS

JOB INFORMATION	
JOB NAME:	
ADDRESS:	

CHANGE REQUEST:

WHO AUTHORIZED THE CHANGE:
DESCRIBE THE NEEDED CHANGE & WHY:

NEW DESIGN LAYOUT:

DRAW THE MOUNTING PLANE SHOWING THE NEW MODULE LAYOUT:

INSTALLER NAME (PRINT)

I UNDERSTAND AND AGREE TO THE CHANGES MADE ABOVE

CUSTOMER NAME

CUSTOMER SIGNATURE

DATE

CUSTOMER NAME/JOB ID: \_\_\_\_\_  
 CUSTOMER ADDRESS: \_\_\_\_\_  
 INSTALL DATE: \_\_\_\_-\_\_\_\_-\_\_\_\_ TIME: \_\_\_\_am/pm

HAZARD CATEGORY	HAZARD TYPE	HAZARD CONTROL MEASURES
LADDER SAFETY	<ul style="list-style-type: none"> <li>LOCATION</li> <li>CONDITION</li> <li>WORKING CLEARANCE</li> </ul>	
FALL PROTECTION	<ul style="list-style-type: none"> <li>WORKING 6' OR HIGHER</li> </ul>	
ELECTRICAL SAFETY	<ul style="list-style-type: none"> <li>ARCH FLASH</li> <li>ELECTRIC</li> <li>SHOCK/ELECTROCUTION</li> </ul>	
WEATHER CONDITIONS	<ul style="list-style-type: none"> <li>HEAT/COLD TEMP</li> <li>RAINY/ICY/WINDY</li> </ul>	
PUBLIC SAFETY	<ul style="list-style-type: none"> <li>WORK/OBJECTS OVERHEAD</li> <li>SLIPS/TRIPS/FALLS</li> <li>ACCESS TO LIVE ELECTRICAL</li> </ul>	

NEAREST EMERGENCY FACILITY	
CONTACT IMMEDIATELY IN EMERGENCY (911 AND/OR)	

GENERAL SITE DESCRIPTION/NOTES

CREW MEMBERS ON SITE FOR INSTALL

NAME	SIGNATURE
FMU/LMD-	

ELECTRICAL COMPLETION PHOTOS QR CODE



ROOFTOP INSTALLATION PHOTOS QR CODE



MPU COMPLETION PHOTOS QR CODE



LGCY POWER  
3333 DIGITAL DR#600, LEHI,  
UT 84043, UNITED STATES  
PH# : (855) 353-4899

ELECTRICAL LIC#: U.21498

SYSTEM INFO

(26) APTOS  
DNA-120-MF10-440W

(26) ENPHASE  
IQ8PLUS-72-2-US (240V)

DC SYSTEM SIZE: 11.440 kWDC  
AC SYSTEM SIZE: 7.540 kWAC

METER: 332 302 331

REVISIONS

DESCRIPTION	DATE	REV

PROJECT NAME & ADDRESS

WADE  
RESIDENCE  
705 DENIM DR, ERWIN, NC 28339, USA  
EMAIL ID: SHANAMONK76@GMAIL.COM  
PHONE NO. (910) 723-3810

DATE: 9/1/2022

SHEET NAME  
JOB HAZARD  
ANALYSIS

SHEET SIZE  
ANSI B  
11" X 17"

SHEET NUMBER

PV-11

# DNA™ 120

Solar for Innovators

# DNA™ 120

Residential | Commercial

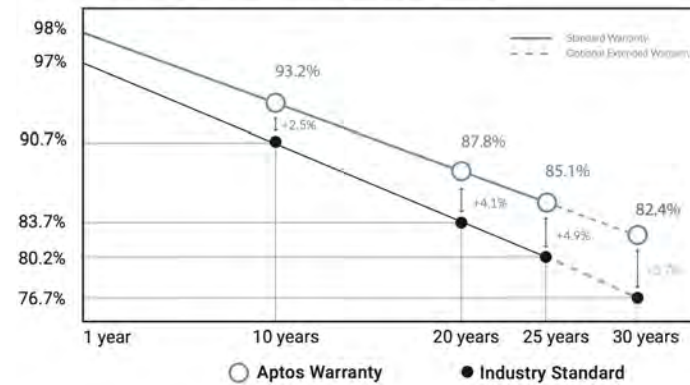


## Designed & Engineered in Silicon Valley

440W | 435W | 430W

Our DNA Split Cell Series uses advanced selective emitter PERC technology with thin film layers to improve heat tolerance, increase photon capture, minimize resistive loss, and use 5% more of the available active area for optimal power performance. Our panels exceed IEC standards and come with an industry leading, 30-year warranty.

### Linear Performance Warranty



### Features



#### Advanced Technology

Patented DNA™ technology boosts power performance & module efficiency



#### Maximum Panel Density

Advanced split cell technology with 9 ultra-thin busbars allows for less resistance and more photon capture



#### Durable Design

Robust product design is resilient in extreme weather. Up to 5400 Pa snow load and 5400 Pa wind load

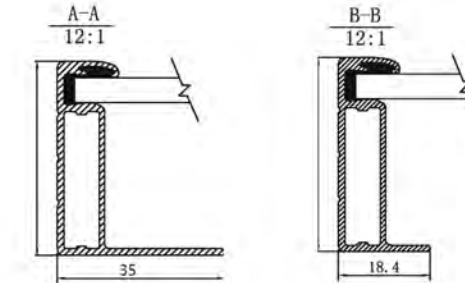
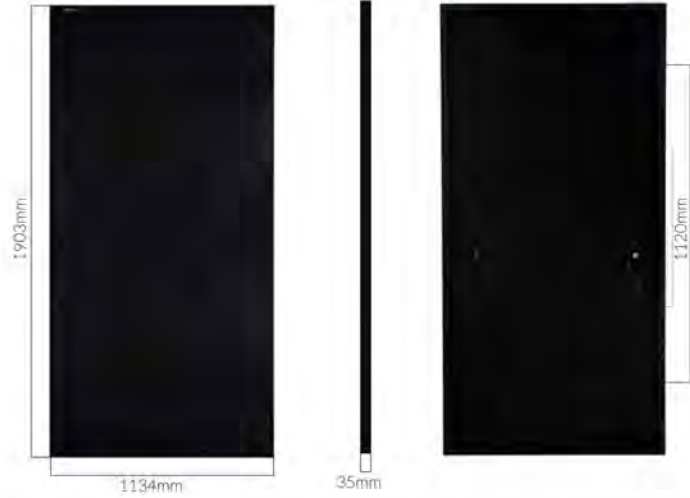


#### A Safe Investment

Industry leading 30 year warranty



3140 De La Cruz Blvd., Ste 200  
Santa Clara, CA 95054  
www.aptosolar.com | info@aptossolar.com



### Electrical Specifications

	DNA-120-MF10-440W	DNA-120-MF10-445W	DNA-120-MF10-440W
STC Rated Output P <sub>mp</sub> (W)	440W	445W	450W
Module Efficiency	20.39%	20.62%	20.85%
Open Circuit Voltage V <sub>oc</sub> (V)	40.80	41.10	41.34
Short Circuit Current I <sub>sc</sub> (A)	13.61	13.70	13.80
Rated Voltage V <sub>mp</sub> (V)	33.82	34.02	34.16
Rated Voltage I <sub>mp</sub> (A)	13.01	13.09	13.17

Standard Test Conditions for front face of panel: 1000 W/m<sup>2</sup>, 25°C, measurement uncertainty ±3%

### Temperature Coefficients

Temperature Coefficients P <sub>mp</sub>	-0.35%/°C
Temperature Coefficients I <sub>sc</sub>	+0.06%/°C
Temperature Coefficients V <sub>oc</sub>	-0.31%/°C
Nominal Operating Cell Temperature (NOCT)	45°C

### Test Operating Conditions

Maximum Series Fuse	25A
Maximum System Voltage	1,500 VDC (UL&IEC)
Maximum Load Capacity (Per UL 1703)	5400 PA Snow Load / 5400 Pa Wind Load
Fire Performance Class	Class C/Type 1

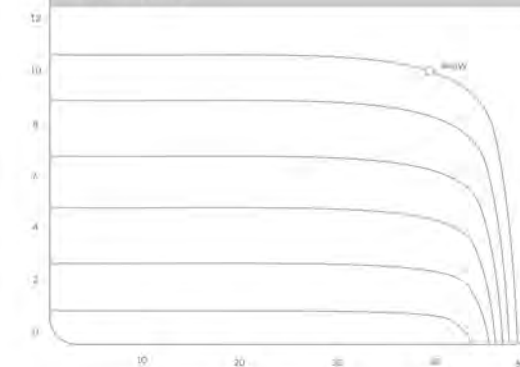
### Packaging Configuration

Number of Modules per Pallet	31
Number of Pallets per 40ft. Container	24
Pallet Dimensions	2030 X 1220 X 1200
Pallet Weight (kg)	766
Container Weight (kg)	18,384

### Mechanical Properties

Cell Type	Monocrystalline
Glass	3.2mm, anti-reflection coating, high transmission, low iron, tempered glass
Frame	Anodized Aluminum Alloy
Junction Box	IP68
Dimensions	1903 X 1134 X 35 mm
Output Cable	-4mm <sup>2</sup> (EU)12AWG, 39.37in. (1200mm)
Weight	52.9lbs. (24kg)
Cable Length	1200mm
Encapsulant	POE

### I-V Curve



### Certifications



## LG CY POWER

LG CY POWER  
3333 DIGITAL DR#600, LEHI,  
UT 84043, UNITED STATES  
PH# : (855) 353-4899

ELECTRICAL LIC#: U.21498

### SYSTEM INFO

(26) APTOS DNA-120-MF10-440W
(26) ENPHASE IQ8PLUS-72-2-US (240V)
DC SYSTEM SIZE: 11.440 kWDC
AC SYSTEM SIZE: 7.540 kWAC
METER: 332 302 331

### REVISIONS

DESCRIPTION	DATE	REV

### PROJECT NAME & ADDRESS

WADE  
RESIDENCE  
705 DENIM DR, ERWIN, NC 28339, USA  
EMAIL ID: SHANAMONK76@GMAIL.COM  
PHONE NO. (910) 723-3810

DATE: 9/1/2022

SHEET NAME  
**EQUIPMENT  
SPECIFICATIONS**

SHEET SIZE  
**ANSI B  
11" X 17"**

SHEET NUMBER  
**PV-12**





## IQ8 and IQ8+ Microinverters

Our newest IQ8 Microinverters are the industry's first microgrid-forming, software-defined microinverters with split-phase power conversion capability to convert DC power to AC power efficiently. The brain of the semiconductor-based microinverter is our proprietary application-specific integrated circuit (ASIC) which enables the microinverter to operate in grid-tied or off-grid modes. This chip is built in advanced 55nm technology with high speed digital logic and has super-fast response times to changing loads and grid events, alleviating constraints on battery sizing for home energy systems.



Part of the Enphase Energy System, IQ8 Series Microinverters integrate with the Enphase IQ Battery, Enphase IQ Gateway, and the Enphase App monitoring and analysis software.



IQ8 Series Microinverters redefine reliability standards with more than one million cumulative hours of power-on testing, enabling an industry-leading limited warranty of up to 25 years.



Connect PV modules quickly and easily to IQ8 Series Microinverters using the included Q-DCC-2 adapter cable with plug-n-play MC4 connectors.



IQ8 Series Microinverters are UL Listed as PV Rapid Shut Down Equipment and conform with various regulations, when installed according to manufacturer's instructions.

© 2021 Enphase Energy. All rights reserved. Enphase, the Enphase logo, IQ8 microinverters, and other names are trademarks of Enphase Energy, Inc. Data subject to change.

IQ8SP-DS-0002-01-EN-US-2021-10-19

### Easy to install

- Lightweight and compact with plug-n-play connectors
- Power Line Communication (PLC) between components
- Faster installation with simple two-wire cabling

### High productivity and reliability

- Produce power even when the grid is down
- More than one million cumulative hours of testing
- Class II double-insulated enclosure
- Optimized for the latest high-powered PV modules

### Microgrid-forming

- Complies with the latest advanced grid support
- Remote automatic updates for the latest grid requirements
- Configurable to support a wide range of grid profiles
- Meets CA Rule 21 (UL 1741-SA) requirements

## IQ8 and IQ8+ Microinverters

INPUT DATA (DC)		IQ8-60-2-US	IQ8PLUS-72-2-US
Commonly used module pairings <sup>1</sup>	W	235 – 350	235 – 440
Module compatibility		60-cell/120 half-cell	60-cell/120 half-cell and 72-cell/144 half-cell
MPPT voltage range	V	27 – 37	29 – 45
Operating range	V	25 – 48	25 – 58
Min/max start voltage	V	30 / 48	30 / 58
Max input DC voltage	V	50	60
Max DC current <sup>2</sup> [module Isc]	A		15
Overtoltage class DC port			II
DC port backfeed current	mA		0
PV array configuration		1x1 Ungrounded array; No additional DC side protection required; AC side protection requires max 20A per branch circuit	

OUTPUT DATA (AC)		IQ8-60-2-US	IQ8PLUS-72-2-US
Peak output power	VA	245	300
Max continuous output power	VA	240	290
Nominal (L-L) voltage/range <sup>3</sup>	V	240 / 211 – 264	
Max continuous output current	A	1.0	1.21
Nominal frequency	Hz	60	
Extended frequency range	Hz	50 – 68	
Max units per 20 A (L-L) branch circuit <sup>4</sup>		16	13
Total harmonic distortion		<5%	
Overtoltage class AC port		III	
AC port backfeed current	mA	30	
Power factor setting		1.0	
Grid-tied power factor (adjustable)		0.85 leading – 0.85 lagging	
Peak efficiency	%	97.5	97.6
CEC weighted efficiency	%	97	97
Night-time power consumption	mW	60	

MECHANICAL DATA	
Ambient temperature range	-40°C to +60°C (-40°F to +140°F)
Relative humidity range	4% to 100% (condensing)
DC Connector type	MC4
Dimensions (HxWxD)	212 mm (8.3") x 175 mm (6.9") x 30.2 mm (1.2")
Weight	1.08 kg (2.38 lbs)
Cooling	Natural convection – no fans
Approved for wet locations	Yes
Acoustic noise at 1 m	<60 dBA
Pollution degree	PD3
Enclosure	Class II double-insulated, corrosion resistant polymeric enclosure
Environ. category / UV exposure rating	NEMA Type 6 / outdoor

COMPLIANCE	
Certifications	CA Rule 21 (UL 1741-SA), UL 62109-1, UL1741/IEEE1547, FCC Part 15 Class B, ICES-0003 Class B, CAN/CSA-C22.2 NO. 107.1-01
	This product is UL Listed as PV Rapid Shut Down Equipment and conforms with NEC 2014, NEC 2017, and NEC 2020 section 690.12 and C22.1-2018 Rule 64-218 Rapid Shutdown of PV Systems, for AC and DC conductors, when installed according to manufacturer's instructions.

(1) No enforced DC/AC ratio. See the compatibility calculator at <https://link.enphase.com/module-compatibility> (2) Maximum continuous input DC current is 10.6A (3) Nominal voltage range can be extended beyond nominal if required by the utility. (4) Limits may vary. Refer to local requirements to define the number of microinverters per branch in your area.

IQ8SP-DS-0002-01-EN-US-2021-10-19

SYSTEM INFO

(26) APTOS  
DNA-120-MF10-440W

(26) ENPHASE  
IQ8PLUS-72-2-US (240V)

DC SYSTEM SIZE: 11.440 kWDC

AC SYSTEM SIZE: 7.540 kWAC

METER: 332 302 331

REVISIONS

DESCRIPTION	DATE	REV

PROJECT NAME & ADDRESS

WADE  
RESIDENCE  
705 DENIM DR, ERWIN, NC 28339, USA  
EMAIL ID: SHANAMONK76@GMAIL.COM  
PHONE NO. (910) 723-3810

DATE: 9/1/2022

SHEET NAME  
EQUIPMENT  
SPECIFICATIONS

SHEET SIZE  
ANSI B  
11" X 17"

SHEET NUMBER  
PV-13

## Enphase IQ Combiner 4/4C

X-IQ-AM1-240-4  
X-IQ-AM1-240-4C



X-IQ-AM1-240-4C

X-IQ-AM1-240-4



To learn more about Enphase offerings, visit [enphase.com](http://enphase.com)

The **Enphase IQ Combiner 4/4C** with Enphase IQ Gateway and integrated LTE-M1 cell modem (included only with IQ Combiner 4C) consolidates interconnection equipment into a single enclosure and streamlines IQ microinverters and storage installations by providing a consistent, pre-wired solution for residential applications. It offers up to four 2-pole input circuits and Eaton BR series busbar assembly.

### Smart

- Includes IQ Gateway for communication and control
- Includes Enphase Mobile Connect cellular modem (CELLMODEM-M1-06-SP-05), included only with IQ Combiner 4C
- Includes solar shield to match Enphase IQ Battery aesthetics and deflect heat
- Flexible networking supports Wi-Fi, Ethernet, or cellular
- Optional AC receptacle available for PLC bridge
- Provides production metering and consumption monitoring

### Simple

- Centered mounting brackets support single stud mounting
- Supports bottom, back and side conduit entry
- Up to four 2-pole branch circuits for 240 VAC plug-in breakers (not included)
- 80A total PV or storage branch circuits

### Reliable

- Durable NRTL-certified NEMA type 3R enclosure
- Five-year limited warranty
- Two years labor reimbursement program coverage included for both the IQ Combiner SKU's
- UL listed



## Enphase IQ Combiner 4/4C

### MODEL NUMBER

IQ Combiner 4 (X-IQ-AM1-240-4) IQ Combiner 4 with Enphase IQ Gateway printed circuit board for integrated revenue grade PV production metering (ANSI C12.20 +/- 0.5%) and consumption monitoring (+/- 2.5%). Includes a silver solar shield to match the IQ Battery system and IQ System Controller 2 and to deflect heat.

IQ Combiner 4C (X-IQ-AM1-240-4C) IQ Combiner 4C with Enphase IQ Gateway printed circuit board for integrated revenue grade PV production metering (ANSI C12.20 +/- 0.5%) and consumption monitoring (+/- 2.5%). Includes Enphase Mobile Connect cellular modem (CELLMODEM-M1-06-SP-05), a plug-and-play industrial-grade cell modem for systems up to 60 microinverters. (Available in the US, Canada, Mexico, Puerto Rico, and the US Virgin Islands, where there is adequate cellular service in the installation area.) Includes a silver solar shield to match the IQ Battery and IQ System Controller and to deflect heat.

### ACCESSORIES AND REPLACEMENT PARTS (not included, order separately)

Ensemble Communications Kit	- Includes COMMS-KIT-01 and CELLMODEM-M1-06-SP-05 with 5-year Sprint data plan for Ensemble sites
COMMS-CELLMODEM-M1-06	- 4G based LTE-M1 cellular modem with 5-year Sprint data plan
CELLMODEM-M1-06-SP-05	- 4G based LTE-M1 cellular modem with 5-year AT&T data plan
CELLMODEM-M1-06-AT-05	
Circuit Breakers	Supports Eaton BR210, BR215, BR220, BR230, BR240, BR250, and BR260 circuit breakers.
BRK-10A-2-240V	Circuit breaker, 2 pole, 10A, Eaton BR210
BRK-15A-2-240V	Circuit breaker, 2 pole, 15A, Eaton BR215
BRK-20A-2P-240V	Circuit breaker, 2 pole, 20A, Eaton BR220
BRK-15A-2P-240V-B	Circuit breaker, 2 pole, 15A, Eaton BR215B with hold down kit support
BRK-20A-2P-240V-B	Circuit breaker, 2 pole, 20A, Eaton BR220B with hold down kit support
EPLC-01	Power line carrier (communication bridge pair), quantity - one pair
XA-SOLARSHIELD-ES	Replacement solar shield for IQ Combiner 4/4C
XA-PLUG-120-3	Accessory receptacle for Power Line Carrier in IQ Combiner 4/4C (required for EPLC-01)
XA-ENV-PCBA-3	Replacement IQ Gateway printed circuit board (PCB) for Combiner 4/4C
X-IQ-NA-HD-125A	Hold down kit for Eaton circuit breaker with screws.

### ELECTRICAL SPECIFICATIONS

Rating	Continuous duty
System voltage	120/240 VAC, 60 Hz
Eaton BR series busbar rating	125 A
Max. continuous current rating	65 A
Max. continuous current rating (input from PV/storage)	64 A
Max. fuse/circuit rating (output)	90 A
Branch circuits (solar and/or storage)	Up to four 2-pole Eaton BR series Distributed Generation (DG) breakers only (not included)
Max. total branch circuit breaker rating (input)	80A of distributed generation / 95A with IQ Gateway breaker included
Production metering CT	200 A solid core pre-installed and wired to IQ Gateway
Consumption monitoring CT (CT-200-SPLIT)	A pair of 200 A split core current transformers

### MECHANICAL DATA

Dimensions (WxHxD)	37.5 x 49.5 x 16.8 cm (14.75" x 19.5" x 6.63"), Height is 21.06" (53.5 cm) with mounting brackets.
Weight	7.5 kg (16.5 lbs)
Ambient temperature range	-40° C to +46° C (-40° to 115° F)
Cooling	Natural convection, plus heat shield
Enclosure environmental rating	Outdoor, NRTL-certified, NEMA type 3R, polycarbonate construction
Wire sizes	<ul style="list-style-type: none"> <li>• 20 A to 50 A breaker inputs: 14 to 4 AWG copper conductors</li> <li>• 60 A breaker branch input: 4 to 1/0 AWG copper conductors</li> <li>• Main lug combined output: 10 to 2/0 AWG copper conductors</li> <li>• Neutral and ground: 14 to 1/0 copper conductors</li> </ul> Always follow local code requirements for conductor sizing.
Altitude	To 2000 meters (6,560 feet)

### INTERNET CONNECTION OPTIONS

Integrated Wi-Fi	802.11b/g/n
Cellular	CELLMODEM-M1-06-SP-05, CELLMODEM-M1-06-AT-05 (4G based LTE-M1 cellular modem). Note that an Enphase Mobile Connect cellular modem is required for all Ensemble installations.
Ethernet	Optional, 802.3, Cat5E (or Cat 6) UTP Ethernet cable (not included)

### COMPLIANCE

Compliance, IQ Combiner	UL 1741, CAN/CSA C22.2 No. 107.1, 47 CFR, Part 15, Class B, ICES 003 Production metering: ANSI C12.20 accuracy class 0.5 (PV production) Consumption metering: accuracy class 2.5
Compliance, IQ Gateway	UL 60601-1/CANCSA 22.2 No. 61010-1

To learn more about Enphase offerings, visit [enphase.com](http://enphase.com)

© 2021 Enphase Energy. All rights reserved. Enphase, the Enphase logo, IQ Combiner 4/4C, and other names are trademarks of Enphase Energy, Inc. Data subject to change. 10-21-2021



### SYSTEM INFO

(26) APTOS  
DNA-120-MF10-440W

(26) ENPHASE  
IQ8PLUS-72-2-US (240V)

DC SYSTEM SIZE: 11.440 KWDC

AC SYSTEM SIZE: 7.540 KWAC

METER: 332 302 331

### REVISIONS

DESCRIPTION	DATE	REV

### PROJECT NAME & ADDRESS

WADE  
RESIDENCE  
705 DENIM DR, ERWIN, NC 28339, USA  
EMAIL ID: SHANAMONK76@GMAIL.COM  
PHONE NO. (910) 723-3810

DATE: 9/1/2022

SHEET NAME  
**EQUIPMENT SPECIFICATIONS**

SHEET SIZE

ANSI B  
11" X 17"

SHEET NUMBER

PV-14



# FLASHLOC™ DUO

THE MOST VERSATILE DIRECT TO DECK ATTACHMENT



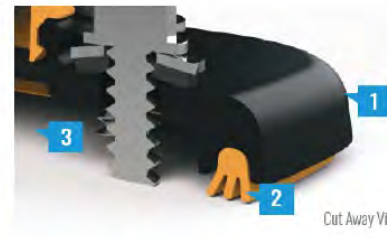
**FLASHLOC™ DUO** is the most versatile direct to deck and rafter attachment for composition shingle and rolled comp roofs. The all-in-one mount installs fast — no kneeling on hot roofs to install flashing, no prying or cutting shingles, no pulling nails. Simply drive the required number of screws to secure the mount and inject sealant into the base. **FLASHLOC's** patented **TRIPLE SEAL** technology preserves the roof and protects the penetration with a permanent pressure seal. Kitted with two rafter screws, sealant and hardware for maximum convenience (deck screws sold separately). Don't just divert water, **LOC it out!**



### PROTECT THE ROOF

Install a high-strength waterproof attachment without lifting, prying or damaging shingles.

APRIL2021\_FLASHLOC2DUO\_V1



### LOC OUT WATER

With an outer shield **1** contour-conforming gasket **2** and pressurized sealant chamber **3** the Triple Seal technology delivers a 100% waterproof connection.



### HIGH-SPEED INSTALL

Simply drive the required number of screws and inject sealant into the port **4** to create a permanent pressure seal.

# FLASHLOC™ DUO

INSTALLATION GUIDE



### PRE-INSTALL: CLEAN SURFACE AND MARK LOCATION

Ensure existing roof structure is capable of supporting loads prescribed in Flashloc Duo D&E Guide. Clean roof surface of dirt, debris, snow and ice.

Snap chalk lines for attachment rows. On shingle roofs, snap lines 1/4" below upslope edge of shingle course. This line will be used to align the upper edge of the mount.

**NOTE:** Space mounts per span charts found in Flashloc Duo D&E Guide.

### STEP ONE: SECURE



**ATTACHING TO A RAFTER:** Place FLASHLOC DUO over rafter location and align upper edge of mount with horizontal chalk line. Secure mount with the two (2) provided rafter screws. **BACKFILL ALL PILOT HOLES WITH SEALANT.**

**ATTACHING TO SHEATHING:** Place FLASHLOC DUO over desired location and align upper edge of mount with horizontal chalk line. Secure mount with the two (2) provided rafter screws. Next, secure mount with four (4) deck screws by drilling through the FLASHLOC DUO deck mount hole locations. Unirac recommends using a drill as opposed to an impact gun to prevent over-tightening or stripping roof sheathing.

**IMPORTANT:** SECURELY ATTACH MOUNT BUT DO NOT OVERTIGHTEN SCREWS.

### STEP TWO: SEAL



Insert tip of UNIRAC approved sealant into port and inject until sealant exits vent. Continue array installation, attaching rails to mounts with provided T-bolts.

**NOTE:** When FLASHLOC DUO is installed over gap between shingle tabs or vertical joints, fill gap/joint with sealant between mount and upslope edge of shingle course.

**CUT SHINGLES AS REQUIRED:** DO NOT INSTALL THE FLASHLOC SLIDER ACCROSS THICKNESS VARIATIONS GREATER THAN 1/8" SUCH AS THOSE FOUND IN HIGH DEFINITION SHINGLES.

**NOTE:** When installing included rail attachment hardware, torque T-bolt nut to 30 ft-lbs.

**NOTE:** If an exploratory hole falls outside of the area covered by the sealant, flash hole accordingly.



USE ONLY UNIRAC APPROVED SEALANTS. PLEASE CONTACT UNIRAC FOR FULL LIST OF COMPATIBLE SEALANTS.



LGCY POWER  
3333 DIGITAL DR#600, LEHI,  
UT 84043, UNITED STATES  
PH# : (855) 353-4899

*Electrician Signature*

ELECTRICAL LIC#: U.21498

SYSTEM INFO
(26) APTOS DNA-120-MF10-440W
(26) ENPHASE IQ8PLUS-72-2-US (240V)
DC SYSTEM SIZE: 11.440 kWDC
AC SYSTEM SIZE: 7.540 kWAC
METER: 332 302 331

REVISIONS		
DESCRIPTION	DATE	REV

### PROJECT NAME & ADDRESS

WADE  
RESIDENCE  
705 DENIM DR, ERWIN, NC 28339, USA  
EMAIL ID: SHANAMONK76@GMAIL.COM  
PHONE NO. (910) 723-3810

DATE: 9/1/2022

SHEET NAME  
**EQUIPMENT SPECIFICATIONS**

SHEET SIZE  
**ANSI B  
11" X 17"**

SHEET NUMBER  
**PV-15**

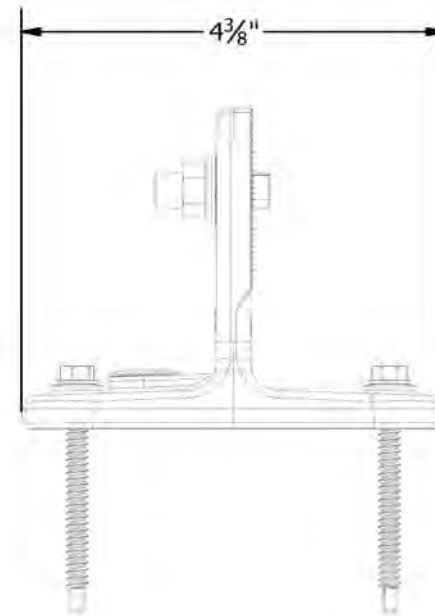
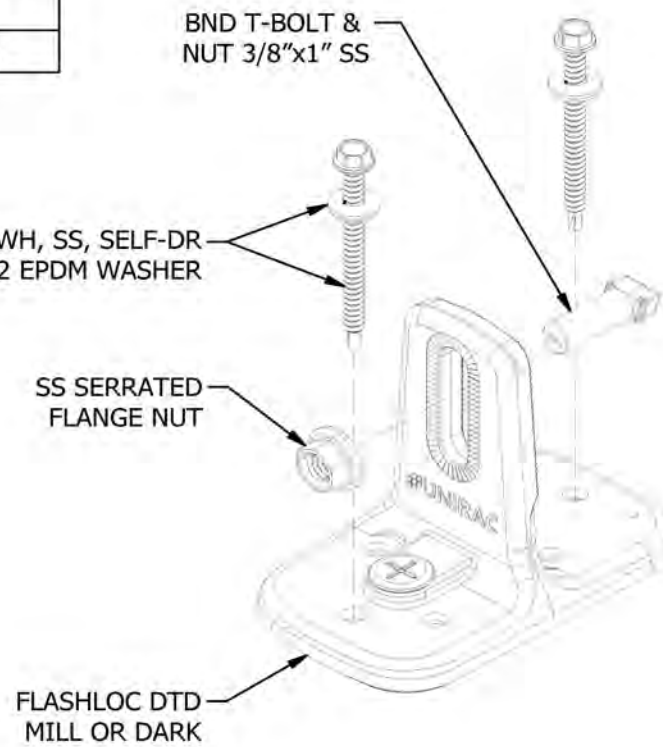
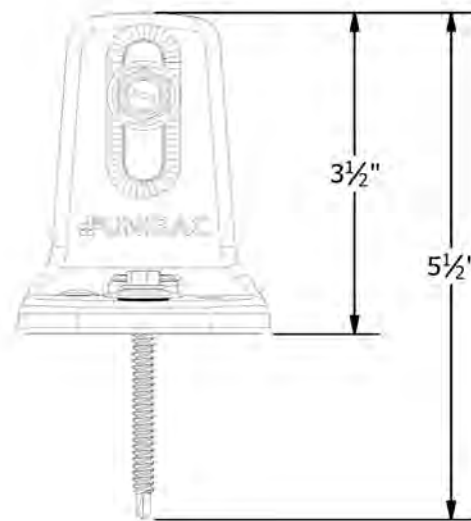
**FASTER INSTALLATION. 25-YEAR WARRANTY.**

FOR QUESTIONS OR CUSTOMER SERVICE VISIT UNIRAC.COM OR CALL (505) 248-2702

**FASTER INSTALLATION. 25-YEAR WARRANTY.**

FOR QUESTIONS OR CUSTOMER SERVICE VISIT UNIRAC.COM OR CALL (505) 248-2702

PART TABLE	
P/N	DESCRIPTION
004275M	FLASHLOC DUO MILL, 20 PACK
004275D	FLASHLOC DUO DARK, 20 PACK



**UNIRAC**  
1411 BROADWAY BLVD. NE  
ALBUQUERQUE, NM 87102 USA  
PHONE: 505.242.6411  
WWW.UNIRAC.COM

PRODUCT LINE:	SOLARMOUNT
DRAWING TYPE:	ASSEMBLY DETAIL
DESCRIPTION:	FLASHLOC DUO KIT
REVISION DATE:	4/29/2021

DRAWING NOT TO SCALE  
ALL DIMENSIONS ARE  
NOMINAL

PRODUCT PROTECTED BY  
ONE OR MORE US PATENTS  
LEGAL NOTICE

**FL-A04**  
SHEET

SYSTEM INFO
(26) APTOS DNA-120-MF10-440W
(26) ENPHASE IQ8PLUS-72-2-US (240V)
DC SYSTEM SIZE: 11.440 kWDC
AC SYSTEM SIZE: 7.540 kWAC
METER: 332 302 331

REVISIONS		
DESCRIPTION	DATE	REV

PROJECT NAME & ADDRESS

WADE  
RESIDENCE  
705 DENIM DR, ERWIN, NC 28339, USA  
EMAIL ID: SHANAMONK76@GMAIL.COM  
PHONE NO. (910) 723-3810

DATE: 9/1/2022

SHEET NAME  
**EQUIPMENT  
SPECIFICATIONS**

SHEET SIZE  
**ANSI B  
11" X 17"**

SHEET NUMBER  
**PV-16**

# SOLARMOUNT



**SOLARMOUNT** defined the standard in solar racking. Features are designed to get installers off the roof faster. Our grounding & bonding process eliminates copper wire and grounding straps to reduce costs. Systems can be configured with standard or light rail to meet your design requirements at the lowest cost possible. The superior aesthetics package provides a streamlined clean edge for enhanced curb appeal, with no special brackets required for installation.



Now Featuring:  
**THE NEW FACE OF SOLAR RACKING**  
Superior Aesthetics Package



**LOSE ALL OF THE COPPER & LUGS**  
System grounding through Enphase microinverters and trunk cables



**SMALL IS THE NEXT NEW BIG THING**  
Light Rail is Fully Compatible with all SM Components



**ENHANCED DESIGN & LAYOUT TOOLS**  
Featuring Google Map Capabilities within U-Builder

## FAST INSTALLATION. SUPERIOR AESTHETICS

OPTIMIZED COMPONENTS • VERSATILITY • DESIGN TOOLS • QUALITY PROVIDER

# SOLARMOUNT



## OPTIMIZED COMPONENTS

### INTEGRATED BONDING & PRE-ASSEMBLED PARTS

Components are pre-assembled and optimized to reduce installation steps and save labor time. Our new grounding & bonding process eliminates copper wire and grounding straps or bonding jumpers to reduce costs. Utilize the microinverter mount with a wire management clip for an easier installation.

## VERSATILITY

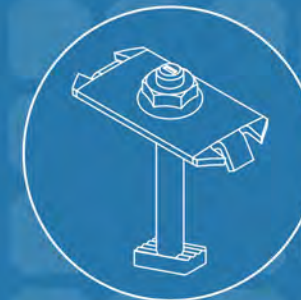
### ONE PRODUCT - MANY APPLICATIONS

Quickly set modules flush to the roof or at a desired tilt angle. Change module orientation to portrait or landscape while securing a large variety of framed modules on flat, low slope or steep pitched roofs. Available in mill, clear and dark anodized finishes to outperform your projects financial and aesthetic aspirations.

## AUTOMATED DESIGN TOOL

### DESIGN PLATFORM AT YOUR SERVICE

Creating a bill of materials is just a few clicks away with U-Builder, a powerful online tool that streamlines the process of designing a code compliant solar mounting system. Save time by creating a user profile, and recall preferences and projects automatically when you log in. You will enjoy the ability to share projects with customers; there's no need to print results and send to a distributor, just click and share.



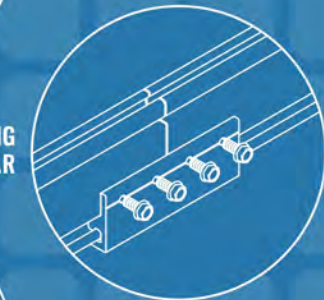
INTEGRATED BONDING MIDCLAMP



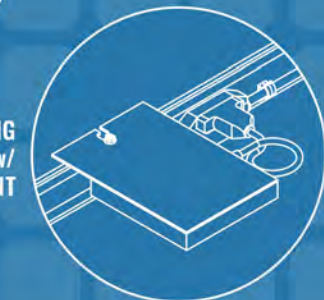
INTEGRATED BONDING SPLICE BAR



INTEGRATED BONDING MICROINVERTER MOUNT w/ WIRE MANAGEMENT



INTEGRATED BONDING L-FOOT w/ T-BOLT



## UNIRAC CUSTOMER SERVICE MEANS THE HIGHEST LEVEL OF PRODUCT SUPPORT



### TECHNICAL SUPPORT

Unirac's technical support team is dedicated to answering questions & addressing issues in real time. An online library of documents including engineering reports, stamped letters and technical data sheets greatly simplifies your permitting and project planning process.



### CERTIFIED QUALITY PROVIDER

Unirac is the only PV mounting vendor with ISO certifications for 9001:2015, 14001:2015 and OHSAS 18001:2007, which means we deliver the highest standards for fit, form, and function. These certifications demonstrate our excellence and commitment to first class business practices.

### BANKABLE WARRANTY

Don't leave your project to chance, Unirac has the financial strength to back our products and reduce your risk. Have peace of mind knowing you are receiving products of exceptional quality. SOLARMOUNT is covered by a twenty five (25) year limited product warranty and a five (5) year limited finish warranty.

PROTECT YOUR REPUTATION WITH QUALITY RACKING SOLUTIONS BACKED BY ENGINEERING EXCELLENCE AND A SUPERIOR SUPPLY CHAIN

PLB2017FEB28 - PRINTED



LGCY POWER  
3333 DIGITAL DR#600, LEHI,  
UT 84043, UNITED STATES  
PH# : (855) 353-4899

*Robert J. Williams Sr.*

ELECTRICAL LIC#: U.21498

SYSTEM INFO
(26) APTOS DNA-120-MF10-440W
(26) ENPHASE IQ8PLUS-72-2-US (240V)
DC SYSTEM SIZE: 11.440 kWDC
AC SYSTEM SIZE: 7.540 KWAC
METER: 332 302 331

REVISIONS		
DESCRIPTION	DATE	REV

PROJECT NAME & ADDRESS

WADE  
RESIDENCE  
705 DENIM DR, ERWIN, NC 28339, USA  
EMAIL ID: SHANAMONK76@GMAIL.COM  
PHONE NO. (910) 723-3810

DATE: 9/1/2022

SHEET NAME  
**EQUIPMENT SPECIFICATIONS**

SHEET SIZE  
ANSI B  
11" X 17"

SHEET NUMBER  
**PV-17**

# SOLARMOUNT



**SOLARMOUNT** is the professionals' choice for residential PV mounting applications. Every aspect of the system is designed for an easier, faster installation experience. **SOLARMOUNT** is a complete solution with revolutionary universal clamps, **FLASHKIT PRO**, full system UL 2703 certification and 25-year warranty. Not only is **SOLARMOUNT** easy to install, but best-in-class aesthetics make it the most attractive on any block!



New & Improved:  
**THE PROFESSIONALS' CHOICE**  
With Superior Aesthetics



**NOW FEATURING FLASHKIT PRO**  
The Complete Roof Attachment Solution  
FEATURING SHED & SEAL TECHNOLOGY



**NOW WITH UNIVERSAL MIDCLAMPS**  
Accommodates 30mm-51mm module frames  
One tool, one-person installs are here!



**REVOLUTIONARY NEW ENDCLAMPS**  
Concealed design and included End Caps

## THE PROFESSIONALS' CHOICE FOR RESIDENTIAL RACKING

**BEST INSTALLATION EXPERIENCE • CURB APPEAL • COMPLETE SOLUTION • UNIRAC SUPPORT**

FOR QUESTIONS OR CUSTOMER SERVICE VISIT [UNIRAC.COM](http://UNIRAC.COM) OR CALL (505) 248-2702

# SOLARMOUNT



## BETTER DESIGNS

### TRUST THE INDUSTRY'S BEST DESIGN TOOL

Start the design process for every project in our U-Builder on-line design tool. It's a great way to save time and money.

## BETTER SYSTEMS

### ONE SYSTEM - MANY APPLICATIONS

Quickly set modules flush to the roof on steep pitched roofs. Orient a large variety of modules in Portrait or Landscape. Tilt the system up on flat or low slope roofs. Components available in mill, clear, and dark finishes to optimize your design financials and aesthetics.

## BETTER RESULTS

### MAXIMIZE PROFITABILITY ON EVERY JOB

Trust Unirac to help you minimize both system and labor costs from the time the job is quoted to the time your teams get off the roof. Faster installs. Less Waste. More Profits.

## BETTER SUPPORT

### WORK WITH THE INDUSTRIES MOST EXPERIENCED TEAM

Professional support for professional installers and designers. You have access to our technical support and training groups. Whatever your support needs, we've got you covered. Visit [Unirac.com/solarmount](http://Unirac.com/solarmount) for more information.



## UNIRAC CUSTOMER SERVICE MEANS THE HIGHEST LEVEL OF PRODUCT SUPPORT

UNMATCHED EXPERIENCE	CERTIFIED QUALITY	ENGINEERING EXCELLENCE	BANKABLE WARRANTY	DESIGN TOOLS	PERMIT DOCUMENTATION
----------------------	-------------------	------------------------	-------------------	--------------	----------------------

### TECHNICAL SUPPORT

Unirac's technical support team is dedicated to answering questions & addressing issues in real time. An online library of documents including engineering reports, stamped letters and technical data sheets greatly simplifies your permitting and project planning process.

### CERTIFIED QUALITY PROVIDER

Unirac is the only PV mounting vendor with ISO certifications for 9001:2008, 14001:2004 and OHSAS 18001:2007, which means we deliver the highest standards for fit, form, and function. These certifications demonstrate our excellence and commitment to first class business practices.

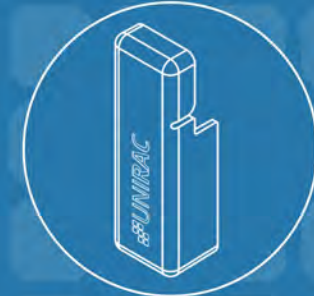
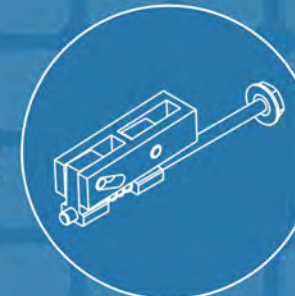
### BANKABLE WARRANTY

Don't leave your project to chance. Unirac has the financial strength to back our products and reduce your risk. Have peace of mind knowing you are providing products of exceptional quality. SOLARMOUNT is covered by a 25 year limited product warranty and a 5 year limited finish warranty.

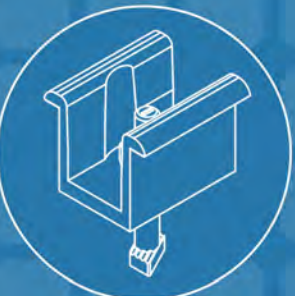
ENHANCE YOUR REPUTATION WITH QUALITY RACKING SOLUTIONS BACKED BY ENGINEERING EXCELLENCE AND A SUPERIOR SUPPLY CHAIN

PUB2018AUG31 - PRINTED UPDATE FOR QUESTIONS OR CUSTOMER SERVICE VISIT [UNIRAC.COM](http://UNIRAC.COM) OR CALL (505) 248-2702

CONCEALED UNIVERSAL ENDCLAMPS



UNIVERSAL SELF STANDING MIDCLAMPS



END CAPS INCLUDED WITH EVERY ENDCLAMP



U-BUILDER ONLINE DESIGN TOOL SAVES TIME & MONEY  
Visit [design.unirac.com](http://design.unirac.com)



LGCY POWER  
3333 DIGITAL DR#600, LEHI,  
UT 84043, UNITED STATES  
PH#: (855) 353-4899

*Electrician Signature*

ELECTRICAL LIC#: U.21498

SYSTEM INFO	
(26) APTOS DNA-120-MF10-440W	
(26) ENPHASE IQ8PLUS-72-2-US (240V)	
DC SYSTEM SIZE: 11.440 kWDC	
AC SYSTEM SIZE: 7.540 kWAC	
METER: 332 302 331	

REVISIONS		
DESCRIPTION	DATE	REV

PROJECT NAME & ADDRESS

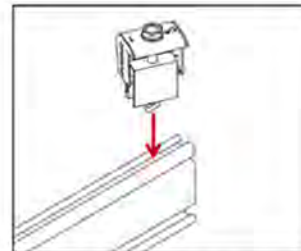
WADE  
RESIDENCE  
705 DENIM DR, ERWIN, NC 28339, USA  
EMAIL ID: SHANAMONK76@GMAIL.COM  
PHONE NO. (910) 723-3810

DATE: 9/1/2022

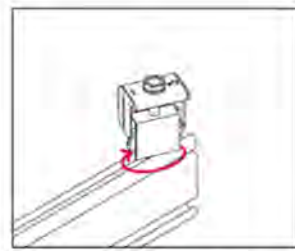
SHEET NAME  
**EQUIPMENT SPECIFICATIONS**

SHEET SIZE  
ANSI B  
11" X 17"

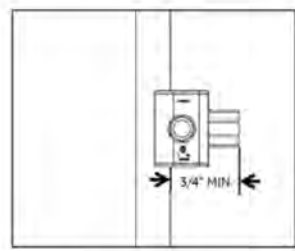
SHEET NUMBER  
PV-18



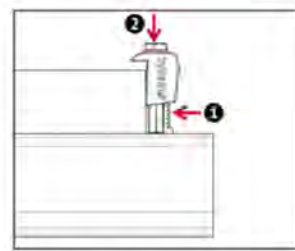
1. Position clamp to align T-bolt with rail slot. Lower clamp and insert T-bolt into rail slot.



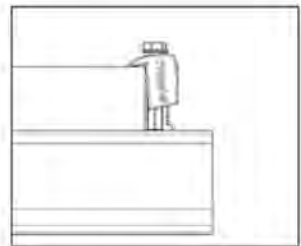
2. Rotate clamp clockwise 2/3 of a turn to engage T-bolt inside rail slot.



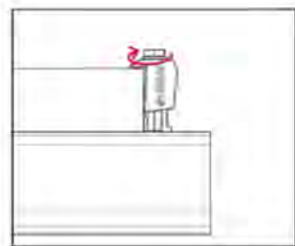
3. Place module at least 3/4" from end of rail and position clamp against module frame.



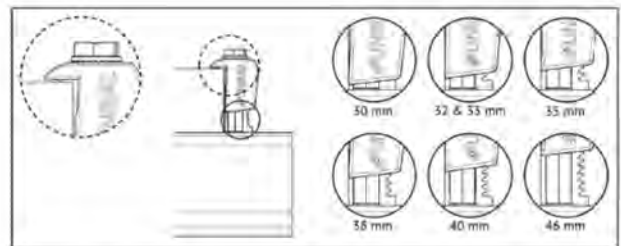
4. While applying pressure to hold the rail, push down on the module side of the clamp cap.



5. When the cap contacts the module frame, release and it will re-engage to the clamp base.



6. Tighten bolt and torque to 15 ft-lbs.



7. Confirm clamp is engaged in correct module height position and that the top of the cap is sitting level with the module frame.

NOTE: When installing 46mm modules, loosen bolt by 1 turn before positioning clamp against module frame. Do not force clamp onto module frame as this may damage the bonding pin.

SYSTEM LEVEL FIRE CLASSIFICATION

The system fire class rating requires installation in the manner specified in the SOLARMOUNT Installation Guide. SOLARMOUNT has been classified to the system level fire portion of UL2703. SOLARMOUNT has achieved system level performance for steep sloped roofs. The fire classification rating is only valid on roof pitches greater than 2:12 (slopes ≥ 2 inches per foot, or 9.5 degrees). The system is to be mounted over fire resistant roof covering rated for the application. There is no required minimum or maximum height limitation above the roof deck to maintain the system fire rating for SOLARMOUNT. Module Types, System Level Fire Ratings, and Mitigation Requirements are listed below:

Rail Type	Module Fire Types	System Level Fire Rating	Rail Direction	Module Orientation	Mitigation Required
Standard & HD Rails	1, 2, 3 with Metal Frame, 10 with Metal Frame, 19, 22, 25, 29, & 30	Class A, Class B & Class C	East-West	Landscape OR Portrait	None Required
			North-South	Landscape OR Portrait	None Required
Light Rail	1 & 2	Class A, Class B & Class C	East-West	Landscape OR Portrait	None Required
			North-South	Landscape OR Portrait	None Required
Standard, Light, & HD Rails	4 & 5	Class A, Class B & Class C	East-West	Landscape OR Portrait	Trim Installation per Solar Mount Installation Guide
			North-South	Landscape OR Portrait	Trim Installation per Solar Mount Installation Guide

This racking system may be used to ground and/or mount a PV module complying with UL1703 or UL61730 only when the specific module has been evaluated for grounding and/or mounting in compliance with the included instructions.

UL2703 CERTIFICATION MARKING LABEL

Unirac SOLARMOUNT is listed to UL 2703. Certification marking is embossed on all mid clamps as shown. Labels with additional information will be provided. After the racking system is fully assembled, a single label should be applied to the SOLARMOUNT rail at the edge of the array. Before applying the label, the corners of the label that do not pertain to the system being installed must be removed so that only the installed system type is showing.

Note: The sticker label should be placed such that it is visible, but not outward facing.



SM STANDARD RAIL



SM LIGHT RAIL

SYSTEM INFO
(26) APTOS DNA-120-MF10-440W
(26) ENPHASE IQ8PLUS-72-2-US (240V)
DC SYSTEM SIZE: 11.440 kWDC
AC SYSTEM SIZE: 7.540 kWAC
METER: 332 302 331

REVISIONS		
DESCRIPTION	DATE	REV

PROJECT NAME & ADDRESS

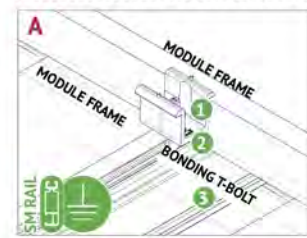
WADE  
 RESIDENCE  
 705 DENIM DR, ERWIN, NC 28339, USA  
 EMAIL ID: SHANAMONK76@GMAIL.COM  
 PHONE NO. (910) 723-3810

DATE: 9/1/2022

SHEET NAME  
 EQUIPMENT  
 SPECIFICATIONS

SHEET SIZE  
 ANSI B  
 11" X 17"

SHEET NUMBER  
 PV-19



**BONDING MIDCLAMP ASSEMBLY**

- 1 Aluminum mid clamp with stainless steel bonding pins that pierce module frame anodization to bond module to module through clamp
- 2 Stainless steel nut bonds aluminum clamp to stainless steel T-bolt
- 3 Serrated T-bolt head penetrates rail anodization to bond T-bolt, nut, clamp, and modules to SM rail



**BONDING MIDCLAMP ASSEMBLY**



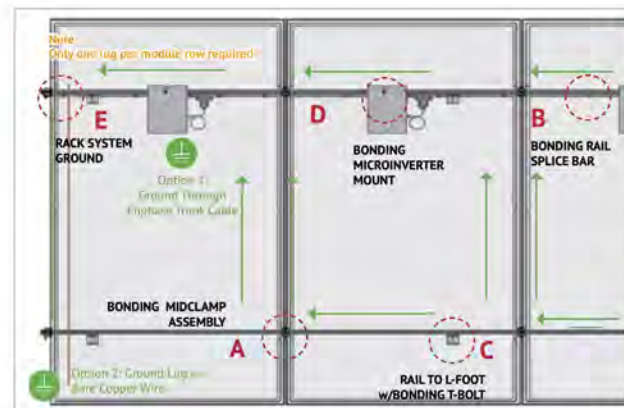
**BONDING RAIL SPLICE BAR**

- 1 Bonding Hardware creates bond between splice bar and each rail section
  - 2 Aluminum splice bar spans across rail gap to create rail to rail bond. Rail on at least one side of splice will be grounded.
- Note: Splice bar and bolted connection are non-structural. The splice bar function is rail alignment and bonding.*



**RAIL TO L-FOOT w/BONDING T-BOLT**

- 1 Serrated flange nut removes L-foot anodization to bond L-foot to stainless steel T-bolt
- 2 Serrated T-bolt head penetrates rail anodization to bond T-bolt, nut, and L-foot to grounded SM rail



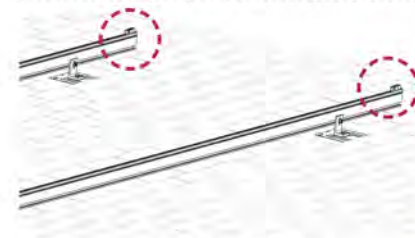
**BONDING MICROINVERTER MOUNT**

- 1 Hex nut with captive lock washer bonds metal microinverter flange to stainless steel T-bolt
- 2 Serrated T-bolt head penetrates rail anodization to bond T-bolt, nut, and L-foot to grounded SM rail. System ground including tracking and modules may be achieved through the trunk cable of approved microinverter systems. See page 1 for details.

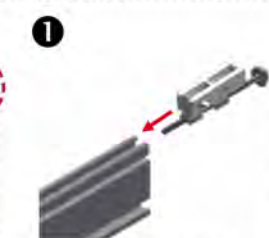


**RACK SYSTEM GROUND**

- 1 WEEB washer dimples pierce anodized rail to create bond between rail and lug
- 2 Solid copper wire connected to lug is routed to provide final system ground connection. *NOTE: Ilco-lug can also be used when secured to the side of the rail. See page 11 for details.*



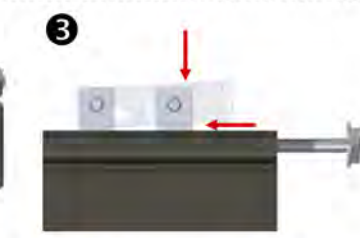
**INSTALL MODULE END CLAMPS:** The End clamp is supplied as an assembly with a 1/2" hex head bolt that is accessible at the ends of rails. The clamp should be installed on the rails prior to installing end modules.



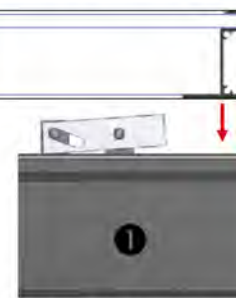
**INSTALL END CLAMPS ON RAIL:** Slide end clamp on to rail by engaging the two t-guide brackets with the top slot of the rails. **Ensure bolt is extended as far as possible so that clamp is positioned at max. distance from end of rail.**



**POSITION END CLAMPS:** Slide end clamp assembly on to rail until bolt head engages with end of rail. **End clamps are positioned on rails prior to the first end module and prior to the last end module.**



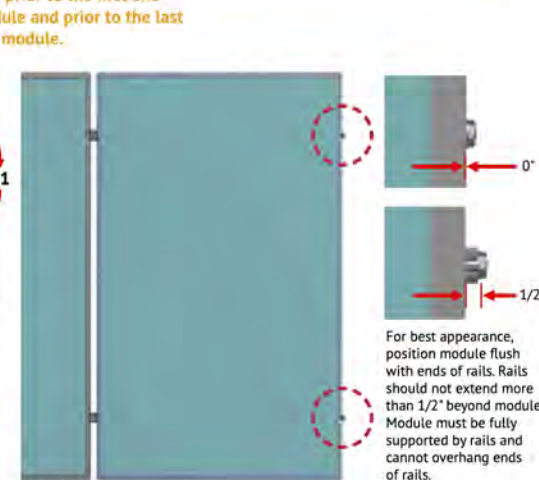
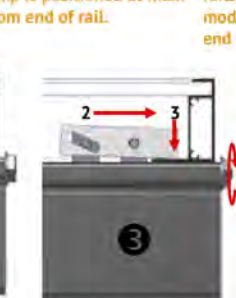
**NOTE:** To assist insertion of clamp into rail slot, pressure may be applied to top or side of bracket as shown. Do not force clamp into rail by pushing on bolt with excessive force.



**INSTALL FIRST MODULE:** Install the first end module onto rails with the flange of the module frame positioned between end clamps at an ends of rails.



**ENGAGE CLAMP:** While holding module in position and with flange in full contact with rail, rotate end clamp bolt until clamp engages with flange to provide clamp force. **To ensure bolt is not over-torqued, use low torque setting on drill or if using an impact driver, stop rotation as soon as impact action of driver begins.** **TORQUE VALUE (See table and notes on Pg. 11)** End clamp bolt to 5 ft-lbs, No anti-seize



SYSTEM INFO
(26) APTOS DNA-120-MF10-440W
(26) ENPHASE IQ8PLUS-72-2-US (240V)
DC SYSTEM SIZE: 11.440 kWDC
AC SYSTEM SIZE: 7.540 kWAC
METER: 332 302 331

REVISIONS		
DESCRIPTION	DATE	REV

PROJECT NAME & ADDRESS

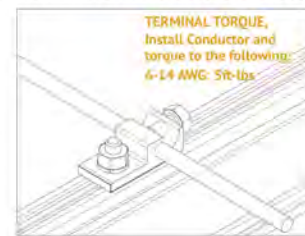
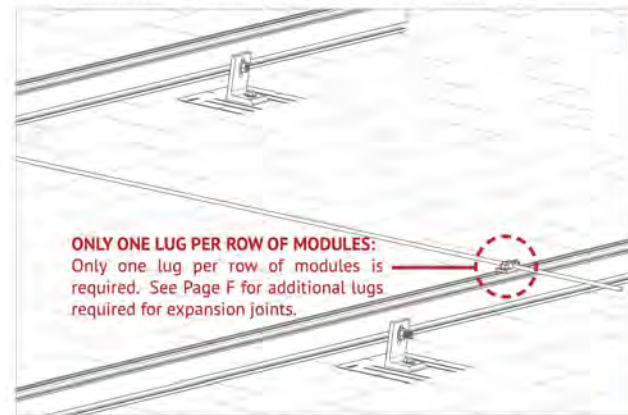
WADE  
RESIDENCE  
705 DENIM DR, ERWIN, NC 28339, USA  
EMAIL ID: SHANAMONK76@GMAIL.COM  
PHONE NO. (910) 723-3810

DATE: 9/1/2022

SHEET NAME  
**EQUIPMENT SPECIFICATIONS**

SHEET SIZE  
**ANSI B  
11" X 17"**

SHEET NUMBER  
**PV-20**

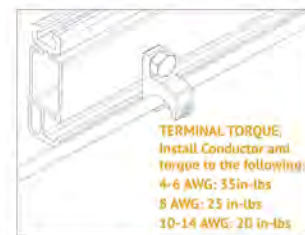
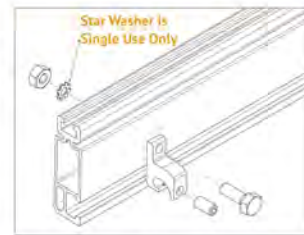


**WEEBLUG CONDUCTOR - UNIRAC P/N 008002S:**  
Apply Anti Seize and insert a bolt in the aluminum rail and through the clearance hole in the stainless steel flat washer. Place the stainless steel flat washer on the bolt, oriented so the dimples will contact the aluminum rail. Place the lug portion on the bolt and stainless steel flat washer. Install stainless steel flat washer, lock washer and nut. Tighten the nut until the dimples are completely embedded into the rail and lug.  
**TORQUE VALUE 10 ft lbs. (See Note on PG. A)**  
See product data sheet for more details, Model No. WEEB-LUG-6.7

**GROUNDING LUG MOUNTING DETAILS:**

Details are provided for both the WEEB and IlSCO products. The WEEBLug has a grounding symbol located on the lug assembly. The IlSCO lug has a green colored set screw for grounding indication purposes. Installation must be in accordance with NFPA NEC 70, however the electrical designer of record should refer to the latest revision of NEC for actual grounding conductor cable size.

Required if not using approved integrated grounding microinverters

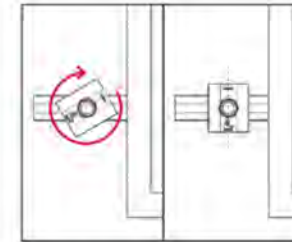
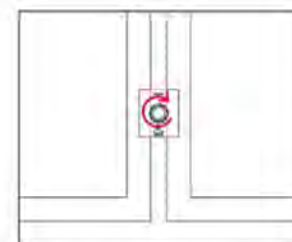
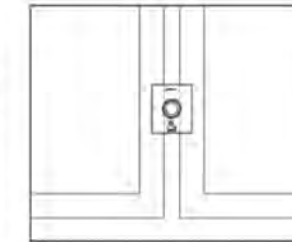
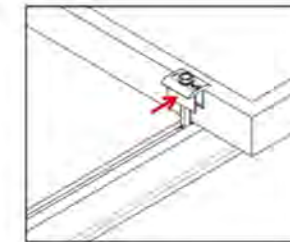
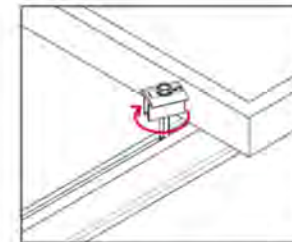
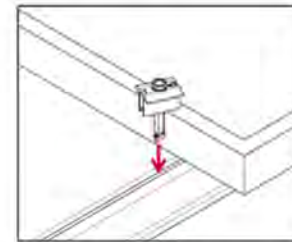


**ILSCO LAY-IN LUG CONDUCTOR - UNIRAC P/N 008009P:** Alternate Grounding Lug  
- Drill, deburr hole and bolt thru both rail walls per table.  
**TORQUE VALUE 5 ft lbs. (See Note on PG. A)**  
See ILSCO product data sheet for more details, Model No. GBL-4DIB.

**NOTE: ISOLATE COPPER FROM ALUMINUM CONTACT TO PREVENT CORROSION!**

GROUNDING LUG - BOLT SIZE & DRILL SIZE		
GROUND LUG	BOLT SIZE	DRILL SIZE
WEEBLug	1/4"	N/A - Place in Top SM Rail Slot
ILSCO Lug	#10-32	7/32"

- Torque value depends on conductor size.
- See product data sheet for torque value.



*Electric Signature*

ELECTRICAL LIC#: U.21498

SYSTEM INFO

(26) APTOS  
DNA-120-MF10-440W

(26) ENPHASE  
IQ8PLUS-72-2-US (240V)

DC SYSTEM SIZE: 11.440 kWDC

AC SYSTEM SIZE: 7.540 kWAC

METER: 332 302 331

REVISIONS

DESCRIPTION	DATE	REV

PROJECT NAME & ADDRESS

WADE  
RESIDENCE  
705 DENIM DR, ERWIN, NC 28339, USA  
EMAIL ID: SHANAMONK76@GMAIL.COM  
PHONE NO. (910) 723-3810

DATE: 9/1/2022

SHEET NAME  
**EQUIPMENT SPECIFICATIONS**

SHEET SIZE  
**ANSI B  
11" X 17"**

SHEET NUMBER  
**PV-21**



October 3, 2019

UniRac  
 1411 Broadway Boulevard NE  
 Albuquerque, New Mexico 87102-1545  
 TEL: (505) 242-6411  
 FAX: (505) 242-6412

Attn.: Unirac Engineering Department,

Re: Engineering Certification for UniRac's SolarMount Design & Engineering Guide

PZSE, Inc.-Structural Engineers has reviewed UniRac's "SolarMount Design & Engineering Guide" and specifically the enhancements of the SolarMount Flush-to-Roof System, Pressure Lookup Tables, and Downward & Upward Span Length Tables.

This certification excludes connections to building structures and the effects on building structure components. All information, data and analysis contained within the Installation Manual are based on, and comply with the following:

1. 2018 North Carolina Building Code, by The North Carolina State Building Code Council
2. 2009, 2012, 2015, & 2015 International Building Code, by International Code Council, Inc.
3. ASCE/SEI 7-05 & 7-10: Minimum Design Loads for Buildings and other Structures
4. 2010 & 2015 Aluminum Design Manual, by The Aluminum Association, 2015

This letter certifies that the structural calculations contained within UniRac's "SolarMount Design & Engineering Guide" are in compliance with the above Codes.

If you have any questions on the above, do not hesitate to call.

Prepared By:  
 PZSE, Inc. – Structural Engineers  
 Roseville, CA



LGCY POWER  
 3333 DIGITAL DR#600, LEHI,  
 UT 84043, UNITED STATES  
 PH# : (855) 353-4899

*Paul K. Zacher*

ELECTRICAL LIC#: U.21498

SYSTEM INFO
(26) APTOS DNA-120-MF10-440W
(26) ENPHASE IQ8PLUS-72-2-US (240V)
DC SYSTEM SIZE: 11.440 kWDC
AC SYSTEM SIZE: 7.540 kWAC
METER: 332 302 331

REVISIONS		
DESCRIPTION	DATE	REV

PROJECT NAME & ADDRESS

WADE  
 RESIDENCE  
 705 DENIM DR, ERWIN, NC 28339, USA  
 EMAIL ID: SHANAMONK76@GMAIL.COM  
 PHONE NO. (910) 723-3810

DATE: 9/1/2022

SHEET NAME  
**EQUIPMENT  
 SPECIFICATIONS**

SHEET SIZE  
**ANSI B  
 11" X 17"**

SHEET NUMBER  
**PV-22**