

ROOF MOUNT PHOTOVOLTAIC SYSTEM

CODES:

THIS PROJECT COMPLIES WITH THE FOLLOWING:
 2018 NORTH CAROLINA BUILDING CODE
 2018 NORTH CAROLINA RESIDENTIAL CODE
 2018 NORTH CAROLINA PLUMBING CODE
 2018 NORTH CAROLINA MECHANICAL CODE
 2018 NORTH CAROLINA FUEL GAS CODE
 2017 NATIONAL ELECTRICAL CODE
 AS ADOPTED BY HARNETT COUNTY (NC)

CONSTRUCTION NOTES:

CONDUIT AND CONDUCTOR SPECIFICATIONS ARE BASED ON MINIMUM CODE REQUIREMENTS AND ARE NOT MEANT TO LIMIT UP-SIZING AS REQUIRED BY FIELD CONDITIONS.

ALL SOLAR ENERGY SYSTEM EQUIPMENT SHALL BE SCREENED TO THE MAXIMUM EXTENT POSSIBLE AND SHALL BE PAINTED A COLOR SIMILAR TO THE SURFACE UPON WHICH THEY ARE MOUNTED.

MODULES SHALL BE TESTED , LISTED AND IDENTIFIED WITH FIRE CLASSIFICATION IN ACCORDANCE WITH UL 2703. SMOKE AND CARBON MONOXIDE ALARMS ARE REQUIRED PER SECTION R314 AND 315 TO BE VERIFIED AND INSPECTED BY INSPECTOR IN THE FIELD.

DIG ALERT (811) TO BE CONTACTED AND COMPLIANCE WITH EXCAVATION SAFETY PRIOR TO ANY EXCAVATION TAKING PLACE

PHOTOVOLTAIC SYSTEM GROUND WILL BE TIED INTO EXISTING GROUND AT MAIN SERVICE FROM DC DISCONNECT/INVERTER AS PER 2017 NEC SEC 250.166(A).

SOLAR PHOTOVOLTAIC SYSTEM EQUIPMENT WILL BE INSTALLED IN ACCORDANCE WITH REQUIREMENTS OF ART. 690 OF THE 2017 NEC

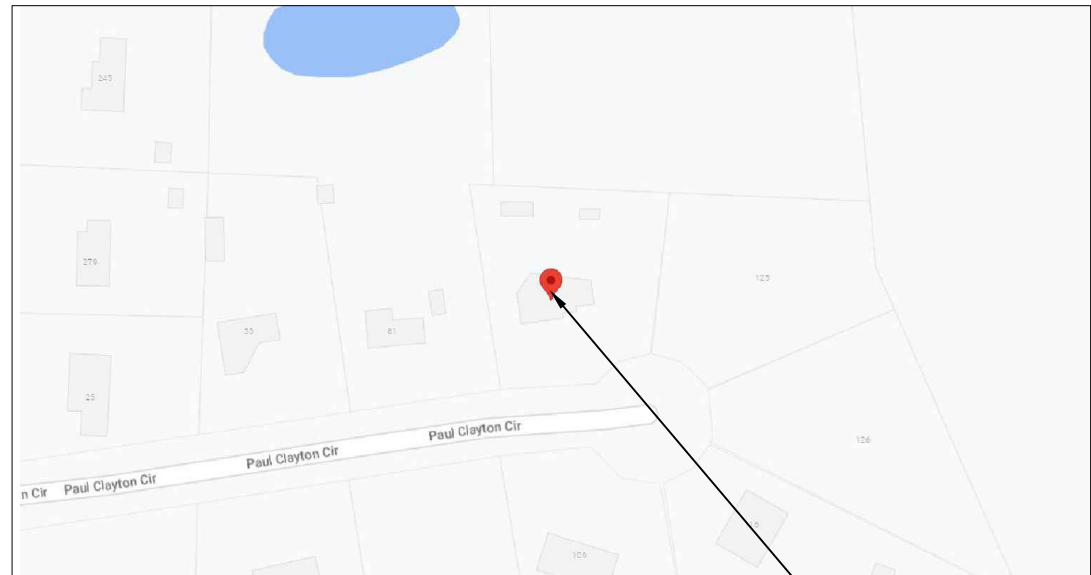
THE MAIN SERVICE PANEL WILL BE EQUIPPED WITH A GROUND ROD OR UFER

UTILITY COMPANY WILL BE NOTIFIED PRIOR TO ACTIVATION OF THE SOLAR PV SYSTEM

SOLAREEDGE OPTIMIZERS ARE LISTED TO IEC 62109-1 (CLASS II SAFETY) AND UL 1741 STANDARDS

INSTALL CREW TO VERIFY ROOF STRUCTURE PRIOR TO COMMENCING WORK. EMT CONDUIT ATTACHED TO THE ROOF USING CONDUIT MOUNT.

VICINITY MAP:



SITE LOCATION

TABLE OF CONTENTS:

PV-1	SITE LOCATION
PV-2	SITE PLAN
PV-2A	ROOF PLAN WITH MODULES LAYOUT
PV-2B	ROOF AND STRUCTURAL TABLES
PV-3	MOUNTING DETAILS
PV-4	THREE LINE DIAGRAM
PV-5	CONDUCTOR CALCULATIONS
PV-5A	ELECTRICAL CALCULATIONS
PV-6	EQUIPMENT & SERVICE LIST
PV-7	LABELS
PV-7A	SITE PLACARD
PV-8	OPTIMIZER CHART
PV-9	SAFETY PLAN
PV-10	SAFETY PLAN
APPENDIX	MANUFACTURER SPECIFICATION SHEETS

CLIENT:
 RICKY RAYNOR
 107 PAUL CLAYTON CIRCLE, COATS, NC 27521
 AHJ: HARNETT COUNTY (NC)
 UTILITY: DUKE ENERGY
 METER: 332298011
 PHONE: (919) 625-7661
 EMAIL: RICKYYRICKRAYNOR@GMAIL.COM
 FINANCE: OTHER

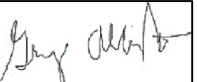
SYSTEM:
 SYSTEM SIZE (DC): 41 X 400 = 16.400 kW
 SYSTEM SIZE (AC): 11.400 kW @ 240V
 MODULES: 41 X FREEDOM FOREVER: FF-MP-BBB-400
 OPTIMIZERS: 41 X SOLAREEDGE S440
 INVERTER: SOLAREEDGE SE11400H-USRGM [S11]

REVISIONS		
NO.	REVISED BY	DATE
-	-	-
-	-	-
-	-	-



FREEDOM FOREVER LLC
 415 INDUSTRIAL CT., GREER, SC 29651
 Tel: (800) 385-1075

GREG ALBRIGHT






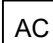

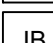
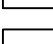
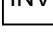


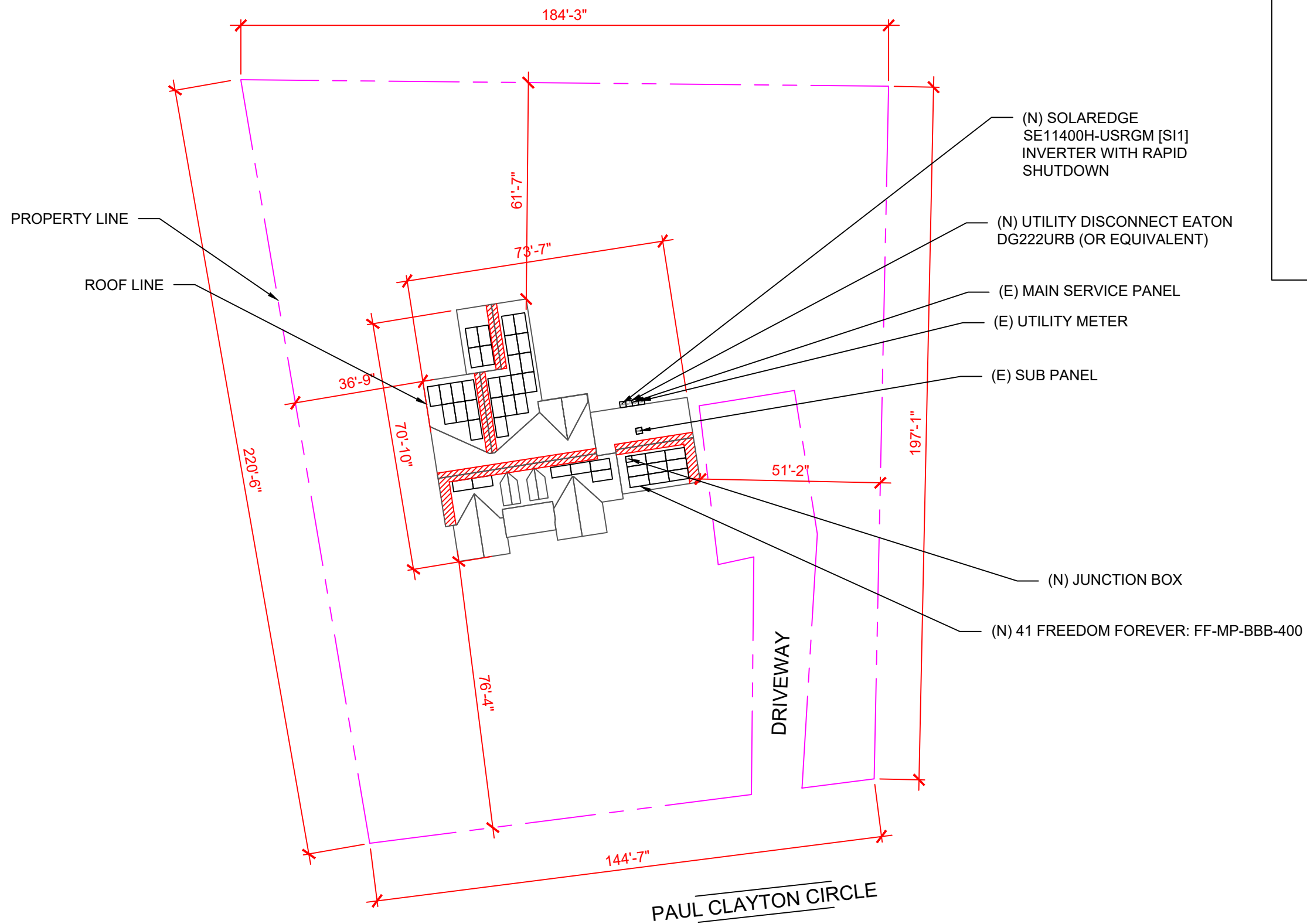
CONTRACTOR LICENSE:
 ELECTRICAL CONTRACTOR U.34043

SITE LOCATION

JOB NO: 314941	DATE: 3/30/2023	DESIGNED BY: D.L.	SHEET: PV-1
-------------------	--------------------	----------------------	----------------

LEGEND:

-  CHIMNEY
-  PIPE VENT
-  MODULES
-  CONDUIT
-  SETBACK
-  AC DISCONNECT
-  UTILITY METER
-  JUNCTION BOX
-  INVERTER
-  MAIN SERVICE PANEL



STRUCTURAL ONLY

ROOF AREA: 3943 SQ FT

CLIENT:
 RICKY RAYNOR
 107 PAUL CLAYTON CIRCLE, COATS, NC 27521
 AHJ: HARNETT COUNTY (NC)
 UTILITY: DUKE ENERGY
 METER: 332298011
 PHONE: (919) 625-7661
 EMAIL: RICKYRAYNOR@GMAIL.COM
 FINANCE: OTHER

SYSTEM:
 SYSTEM SIZE (DC): 41 X 400 = 16.400 kW
 SYSTEM SIZE (AC): 11.400 kW @ 240V
 MODULES: 41 X FREEDOM FOREVER: FF-MP-BBB-400
 OPTIMIZERS: 41 X SOLAREEDGE S440
 INVERTER: SOLAREEDGE SE11400H-USRGM [S11]

REVISIONS		
NO.	REVISED BY	DATE
-	-	-
-	-	-
-	-	-



FREEDOM FOREVER LLC
 415 INDUSTRIAL CT., GREER, SC 29651
 Tel: (800) 385-1075

GREG ALBRIGHT

CONTRACTOR LICENSE:
 ELECTRICAL CONTRACTOR U.34043

SITE PLAN









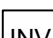
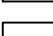
JOB NO:	DATE:	DESIGNED BY:	SHEET:
314941	3/30/2023	D.L.	PV-2



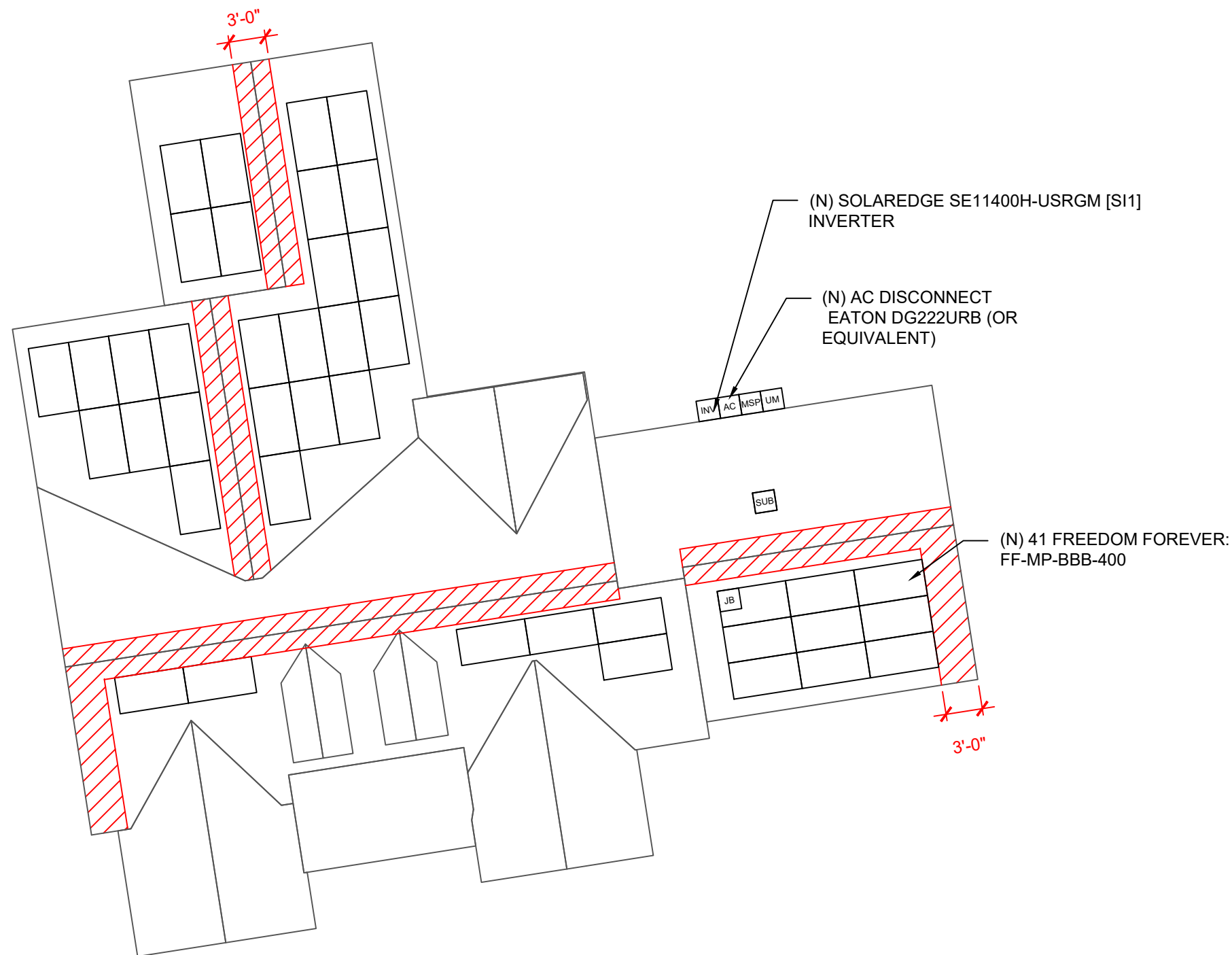
SITE PLAN
 SCALE: 1/32" = 1'-0"

1

LEGEND:

-  CHIMNEY
-  PIPE VENT
-  MODULES
-  CONDUIT
-  SETBACK
-  AC DISCONNECT
-  UTILITY METER
-  JUNCTION BOX
-  INVERTER
-  MAIN SERVICE PANEL

TOTAL ROOF AREA: 3943 SQ FT
 TOTAL ARRAY AREA: 861.79 SQ FT
 ARRAY COVERAGE: 21.86%
 SYSTEM DISTRIBUTED WEIGHT: 2.32 LBS
 ROCKIT SMART SLIDE POINT-LOAD: 21.47 LBS



ROOF AREA: 3943 SQ FT

CLIENT:
 RICKY RAYNOR
 107 PAUL CLAYTON CIRCLE, COATS, NC
 27521
 AHJ: HARNETT COUNTY (NC)
 UTILITY: DUKE ENERGY
 METER: 332298011
 PHONE: (919) 625-7661
 EMAIL: RICKYRAYNOR@GMAIL.COM
 FINANCE: OTHER

SYSTEM:
 SYSTEM SIZE (DC): 41 X 400 = 16.400 kW
 SYSTEM SIZE (AC): 11.400 kW @ 240V
 MODULES: 41 X FREEDOM FOREVER:
 FF-MP-BBB-400
 OPTIMIZERS: 41 X SOLAREEDGE S440
 INVERTER: SOLAREEDGE SE11400H-USRGM [S1]

REVISIONS		
NO.	REVISED BY	DATE
-	-	-
-	-	-
-	-	-



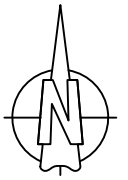
FREEDOM FOREVER LLC
 415 INDUSTRIAL CT., GREER, SC 29651
 Tel: (800) 385-1075

GREG ALBRIGHT

CONTRACTOR LICENSE:
 ELECTRICAL CONTRACTOR U.34043

ROOF PLAN WITH MODULES LAYOUT

JOB NO: 314941	DATE: 3/30/2023	DESIGNED BY: D.L.	SHEET: PV-2A
-------------------	--------------------	----------------------	-----------------



ROOF PLAN
 SCALE: 3/32" = 1'-0"

1

NOTES:

1. EMT CONDUIT ATTACHED TO THE ROOF USING CONDUIT MOUNTS
2. ATTACHED CLAMPS AT 25% FROM THE EDGE AND 50% FROM THE CENTER OF THE MODULES
3. JUNCTION BOX IS MOUNTED TO THE RAIL.

ROOF DETAILS:

TOTAL ROOF AREA: 3943 SQ FT
 TOTAL ARRAY AREA: 861.79 SQFT
 ARRAY COVERAGE: 21.86%
 SYSTEM DISTRIBUTED WEIGHT: 2.32 LBS
 ROCKIT SMART SLIDE POINT-LOAD: 21.47 LBS



STRUCTURAL ONLY

ROOF AREA STATEMENT

ROOF	MODULE QUANTITY	ROOF PITCH	ARRAY PITCH	AZIMUTH	ROOF AREA	ARRAY AREA
ROOF 1	9	37	37	171	359 SQ FT	189.17 SQ FT
ROOF 2	6	37	37	171	604 SQ FT	126.12 SQ FT
ROOF 3	14	27	27	81	542 SQ FT	294.27 SQ FT
ROOF 4	8	27	27	261	337 SQ FT	168.16 SQ FT
ROOF 5	4	27	27	261	210 SQ FT	84.08 SQ FT
----	----	----	----	----	SQ FT	SQ FT
----	----	----	----	----	SQ FT	SQ FT
----	----	----	----	----	SQ FT	SQ FT
----	----	----	----	----	SQ FT	SQ FT
----	----	----	----	----	SQ FT	SQ FT

CLIENT:
 RICKY RAYNOR
 107 PAUL CLAYTON CIRCLE, COATS, NC
 27521
 AHJ: HARNETT COUNTY (NC)
 UTILITY: DUKE ENERGY
 METER: 332298011
 PHONE: (919) 625-7661
 EMAIL: RICKYYRICKRAYNOR@GMAIL.COM
 FINANCE: OTHER

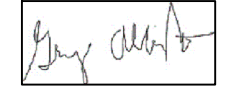
SYSTEM:
 SYSTEM SIZE (DC): 41 X 400 = 16.400 kW
 SYSTEM SIZE (AC): 11.400 kW @ 240V
 MODULES: 41 X FREEDOM FOREVER:
 FF-MP-BBB-400
 OPTIMIZERS: 41 X SOLAREEDGE S440
 INVERTER: SOLAREEDGE SE11400H-USRGM
 [S11]

REVISIONS		
NO.	REVISED BY	DATE
-	-	-
-	-	-
-	-	-



FREEDOM FOREVER LLC
 415 INDUSTRIAL CT., GREER, SC 29651
 Tel: (800) 385-1075

GREG ALBRIGHT



CONTRACTOR LICENSE:
 ELECTRICAL CONTRACTOR U.34043

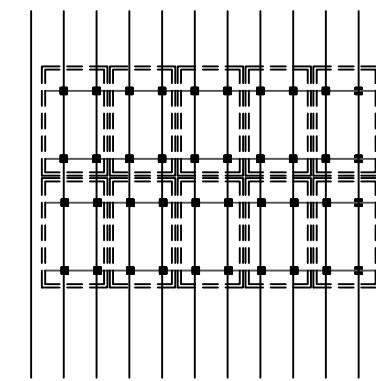
ROOF DETAILS

JOB NO: 314941	DATE: 3/30/2023	DESIGNED BY: D.L.	SHEET: PV-2B
-------------------	--------------------	----------------------	-----------------

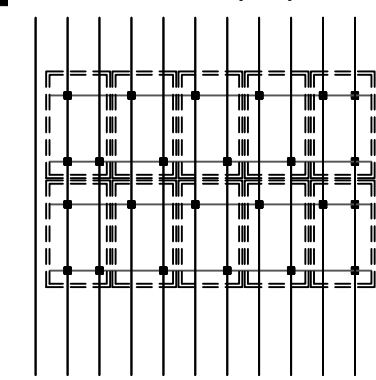


TABLE 1 - ARRAY INSTALLATION

	ROOF PITCH	ROOFING TYPE	ATTACHMENT TYPE	FRAMING TYPE ¹	MAX UNBRACED LENGTH(FT.) ¹	RAFTER/TRUSS SISTERING	PENETRATION PATTERN ²	MAX ATTACHMENT SPACING (IN.) ²	MAX RAIL OVERHANG(I N.) ³
ROOF 1	37	COMP SHINGLE	ECOFASTEN ROCKIT SMART SLIDE	2X6 RAFTER @ 16" OC	11.16'	NOT REQ'D	STAGGERED	48" OC	16"
ROOF 2	37	COMP SHINGLE	ECOFASTEN ROCKIT SMART SLIDE	2X6 RAFTER @ 16" OC	11.16'	NOT REQ'D	STAGGERED	48" OC	16"
ROOF 3	27	COMP SHINGLE	ECOFASTEN ROCKIT SMART SLIDE	2X6 RAFTER @ 16" OC	11.16'	NOT REQ'D	STAGGERED	48" OC	16"
ROOF 4	27	COMP SHINGLE	ECOFASTEN ROCKIT SMART SLIDE	2X6 RAFTER @ 16" OC	11.16'	NOT REQ'D	STAGGERED	48" OC	16"
ROOF 5	27	COMP SHINGLE	ECOFASTEN ROCKIT SMART SLIDE	2X6 RAFTER @ 16" OC	11.16'	NOT REQ'D	STAGGERED	48" OC	16"



STACKED DETAIL
For Illustration purposes only



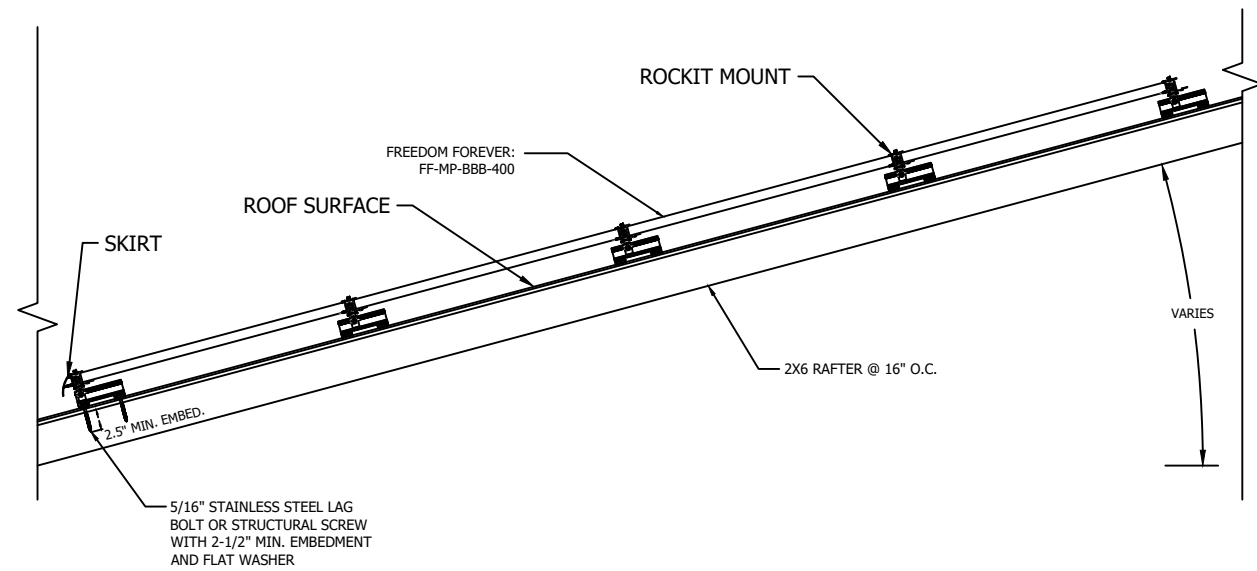
STAGGERED DETAIL
For Illustration purposes only

1. CONTRACTOR TO VERIFY FRAMING TYPE AND MAX UNBRACED LENGTH PRIOR TO INSTALLATION. IF THE ABOVE INFORMATION DOES NOT MATCH FIELD CONDITIONS, NOTIFY ENGINEER OF RECORD IMMEDIATELY.
2. WHERE COLLAR TIES OR RAFTER SUPPORTS EXIST, CONTRACTOR SHALL USE RAFTERS WITH COLLAR TIES AS ATTACHMENT POINTS.
3. WHERE APPLICABLE FOR RAILED ATTACHMENT INSTALLATIONS.

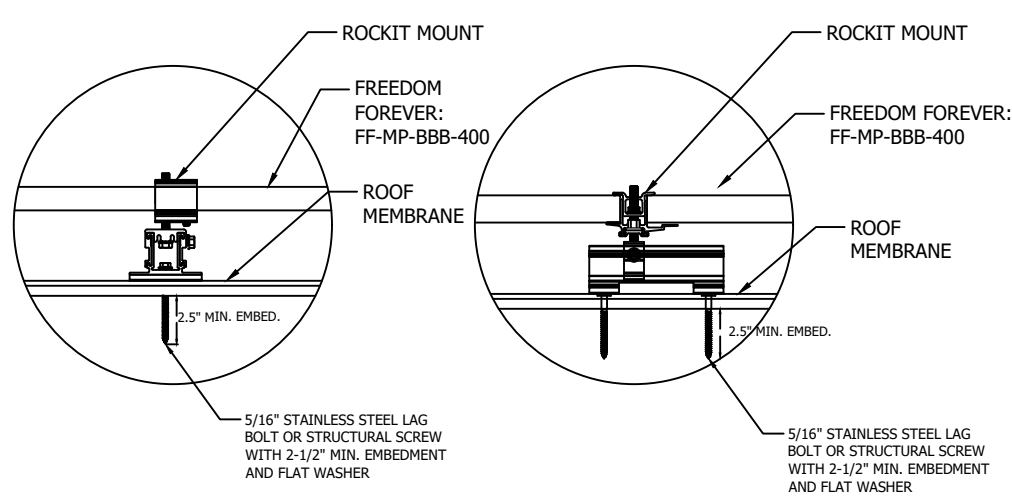
CLIENT:
 RICKY RAYNOR
 107 PAUL CLAYTON CIRCLE, COATS, NC 27521
 AHJ: HARNETT COUNTY (NC)
 UTILITY: DUKE ENERGY
 METER: 332298011
 PHONE: (919) 625-7661
 EMAIL: RICKYRAYNOR@GMAIL.COM
 FINANCE: OTHER

SYSTEM:
 SYSTEM SIZE (DC): 41 X 400 = 16.400 kW
 SYSTEM SIZE (AC): 11.400 kW @ 240V
 MODULES: 41 X FREEDOM FOREVER: FF-MP-BBB-400
 OPTIMIZERS: 41 X SOLAREEDGE S440
 INVERTER: SOLAREEDGE SE11400H-USRGM [S1]

REVISIONS		
NO.	REVISED BY	DATE
-	-	-
-	-	-
-	-	-



SOLAR PV ARRAY SECTION VIEW
Scale: NTS



ATTACHMENT DETAIL
Scale: NTS

freedom FOREVER
 FREEDOM FOREVER LLC
 415 INDUSTRIAL CT., GREER, SC 29651
 Tel: (800) 385-1075
GREG ALBRIGHT
 CONTRACTOR LICENSE:
 ELECTRICAL CONTRACTOR U.34043

MOUNTING DETAILS			
JOB NO:	DATE:	DESIGNED BY:	SHEET:
314941	3/30/2023	D.L.	PV-3

BACKFEED BREAKER SIZING

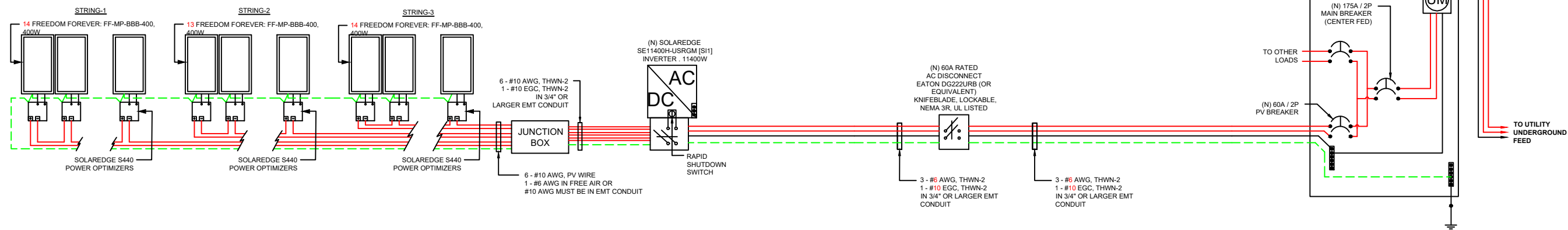
MAX. CONTINUOUS OUTPUT 47.50A @ 240V

47.50 X 1.25 = 59.38AMPS 60A BREAKER - OK

SEE 705.12 OF 2017 NEC

200 X 1.20 = 240

240 - 175 = 65A ALLOWABLE BACKFEED



CLIENT:
 RICKY RAYNOR
 107 PAUL CLAYTON CIRCLE, COATS, NC
 27521
 AHJ: HARNETT COUNTY (NC)
 UTILITY: DUKE ENERGY
 METER: 332298011
 PHONE: (919) 625-7661
 EMAIL: RICKYRAYNOR@GMAIL.COM
 FINANCE: OTHER

SYSTEM:
 SYSTEM SIZE (DC): 41 X 400 = 16.400 kW
 SYSTEM SIZE (AC): 11.400 kW @ 240V
 MODULES: 41 X FREEDOM FOREVER:
 FF-MP-BBB-400
 OPTIMIZERS: 41 X SOLAREEDGE S440
 INVERTER: SOLAREEDGE SE11400H-USRGM
 [S11]

REVISIONS		
NO.	REVISED BY	DATE
-	-	-
-	-	-
-	-	-



FREEDOM FOREVER LLC
 415 INDUSTRIAL CT., GREER, SC 29651
 Tel: (800) 385-1075

GREG ALBRIGHT

CONTRACTOR LICENSE:
 ELECTRICAL CONTRACTOR U.34043

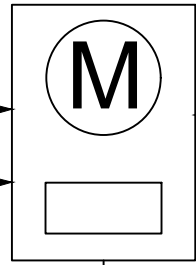
NOTE:
 CONDUIT AND CONDUCTORS SPECIFICATIONS ARE BASED
 ON MINIMUM CODE REQUIREMENTS AND ARE NOT MEANT
 TO LIMIT UP-SIZING AS REQUIRED BY FIELD CONDITIONS

THREE LINE DIAGRAM

JOB NO: 314941	DATE: 3/30/2023	DESIGNED BY: D.L.	SHEET: PV-4
-------------------	--------------------	----------------------	----------------

WARNING:
POWER SOURCE OUTPUT
CONNECTION
DO NOT RELOCATE THIS
OVERCURRENT DEVICE.

705.12(B)(2)(3)(b)



"WARNING"
DUAL POWER SOURCES
SECOND SOURCE IS PHOTOVOLTAIC SYSTEM
RATED AC OUTPUT CURRENT - 47.50 AMPS
AC NORMAL OPERATING VOLTAGE - 240 VOLTS

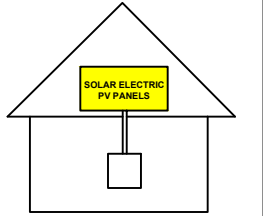
690.54

NOTES:

1. NEC ARTICLES 690 AND 705 AND IRC SECTION R324 MARKINGS SHOWN HEREON.
2. ALL MARKING SHALL CONSIST OF THE FOLLOWING:
 - A. UV RESISTANT SIGN MATERIAL WITH ENGRAVED OR MACHINE PRINTED LETTERS OR ELECTRO-PLATING.
 - B. RED BACKGROUND COLOR WHITE TEXT AND LINE WORK.
 - C. ARIAL FONT.
3. ALL SIGNS SHALL BE SIZED APPROPRIATELY AND PLACED IN THE LOCATIONS SPECIFIED. SIGNAGE CANNOT BE HAND-WRITTEN.
4. SIGNS SHALL BE ATTACHED TO THE SERVICE EQUIPMENT WITH POP-RIVETS OR SCREWS

**SOLAR PV SYSTEM EQUIPPED
WITH RAPID SHUTDOWN**

TURN RAPID
SHUTDOWN SWITCH TO
THE "OFF" POSITION TO
SHUT DOWN PV SYSTEM
AND REDUCE SHOCK
HAZARD IN THE ARRAY



690.56(C)(1)(A)

PV METER

PM

AC

PV SYSTEM AC DISCONNECT
RATED AC OUTPUT CURRENT - 47.50 AMPS
AC NORMAL OPERATING VOLTAGE - 240 VOLTS

690.15, 690.54

**RAPID SHUTDOWN SWITCH FOR
SOLAR PV SYSTEM**

690.56(C)(3)

INVERTER

MAXIMUM VOLTAGE V
MAXIMUM CIRCUIT CURRENT A
MAX DC-DC CONVERTER
OUTPUT CURRENT A

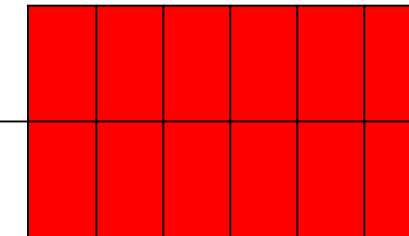
"WARNING"
ELECTRICAL SHOCK HAZARD.
TERMINALS ON BOTH LINE AND LOAD SIDES
MAY BE ENERGIZED IN THE OPEN POSITION.

690.13 (B)

PV SYSTEM DC DISCONNECT
MAXIMUM VOLTAGE: 480V
MAXIMUM CIRCUIT CURRENT: 30.5A
MAX RATED OUTPUT CURRENT OF
THE CONTROLLER OR DC-TO-DC
CONVERTER: 15A

690.53

ARRAY



NEC 690.31(G)(3) & (4)

"WARNING"
PHOTOVOLTAIC POWER SOURCE

EVERY 10' ON CONDUIT AND ENCLOSURES

CLIENT:
RICKY RAYNOR
107 PAUL CLAYTON CIRCLE, COATS, NC
27521
AHJ: HARNETT COUNTY (NC)
UTILITY: DUKE ENERGY
METER: 332298011
PHONE: (919) 625-7661
EMAIL: RICKYYRICKRAYNOR@GMAIL.COM
FINANCE: OTHER

SYSTEM:
SYSTEM SIZE (DC): 41 X 400 = 16.400 kW
SYSTEM SIZE (AC): 11.400 kW @ 240V
MODULES: 41 X FREEDOM FOREVER:
FF-MP-BBB-400
OPTIMIZERS: 41 X SOLAREEDGE S440
INVERTER: SOLAREEDGE SE11400H-USRGM [S11]

REVISIONS		
NO.	REVISED BY	DATE
-	-	-
-	-	-
-	-	-



FREEDOM FOREVER LLC
415 INDUSTRIAL CT., GREER, SC 29651
Tel: (800) 385-1075

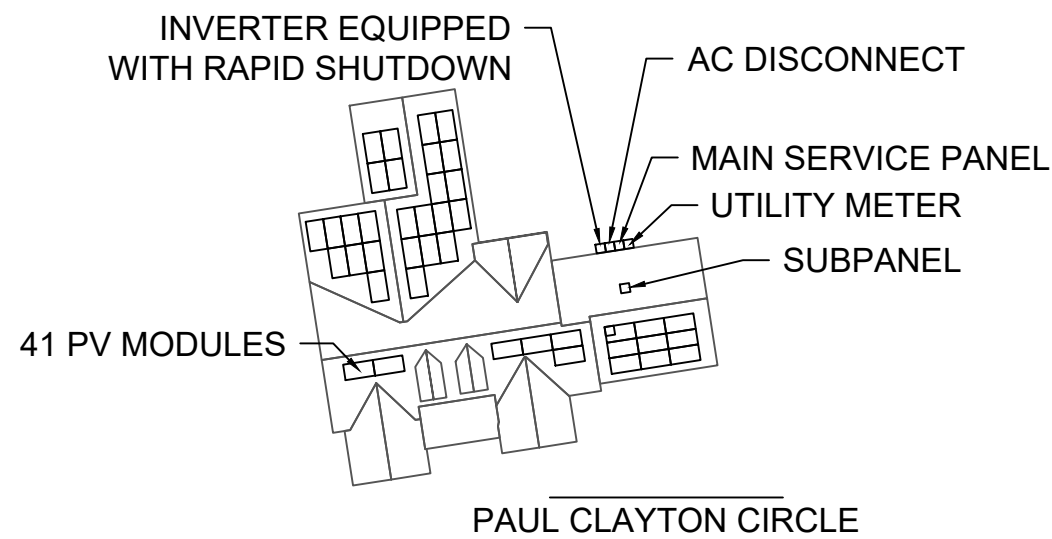
GREG ALBRIGHT

CONTRACTOR LICENSE:
ELECTRICAL CONTRACTOR U.34043

LABELS			
JOB NO:	DATE:	DESIGNED BY:	SHEET:
314941	3/30/2023	D.L.	PV-7

CAUTION:

POWER TO THIS BUILDING IS ALSO SUPPLIED FROM THE FOLLOWING SOURCES WITH DISCONNECTS AS SHOWN



WARNING

TURN OFF PHOTOVOLTAIC AC DISCONNECT PRIOR TO WORKING INSIDE PANEL



CLIENT:
 RICKY RAYNOR
 107 PAUL CLAYTON CIRCLE, COATS, NC 27521
 AHJ: HARNETT COUNTY (NC)
 UTILITY: DUKE ENERGY
 METER: 332298011
 PHONE: (919) 625-7661
 EMAIL: RICKYYRICKRAYNOR@GMAIL.COM
 FINANCE: OTHER

SYSTEM:
 SYSTEM SIZE (DC): 41 X 400 = 16.400 kW
 SYSTEM SIZE (AC): 11.400 kW @ 240V
 MODULES: 41 X FREEDOM FOREVER: FF-MP-BBB-400
 OPTIMIZERS: 41 X SOLAREEDGE S440
 INVERTER: SOLAREEDGE SE11400H-USRGM [S1]

REVISIONS		
NO.	REVISED BY	DATE
-	-	-
-	-	-
-	-	-



FREEDOM FOREVER LLC
 415 INDUSTRIAL CT., GREER, SC 29651
 Tel: (800) 385-1075

GREG ALBRIGHT

CONTRACTOR LICENSE:
 ELECTRICAL CONTRACTOR U.34043

SITE PLACARD

JOB NO:	DATE:	DESIGNED BY:	SHEET:
314941	3/30/2023	D.L.	PV-7A

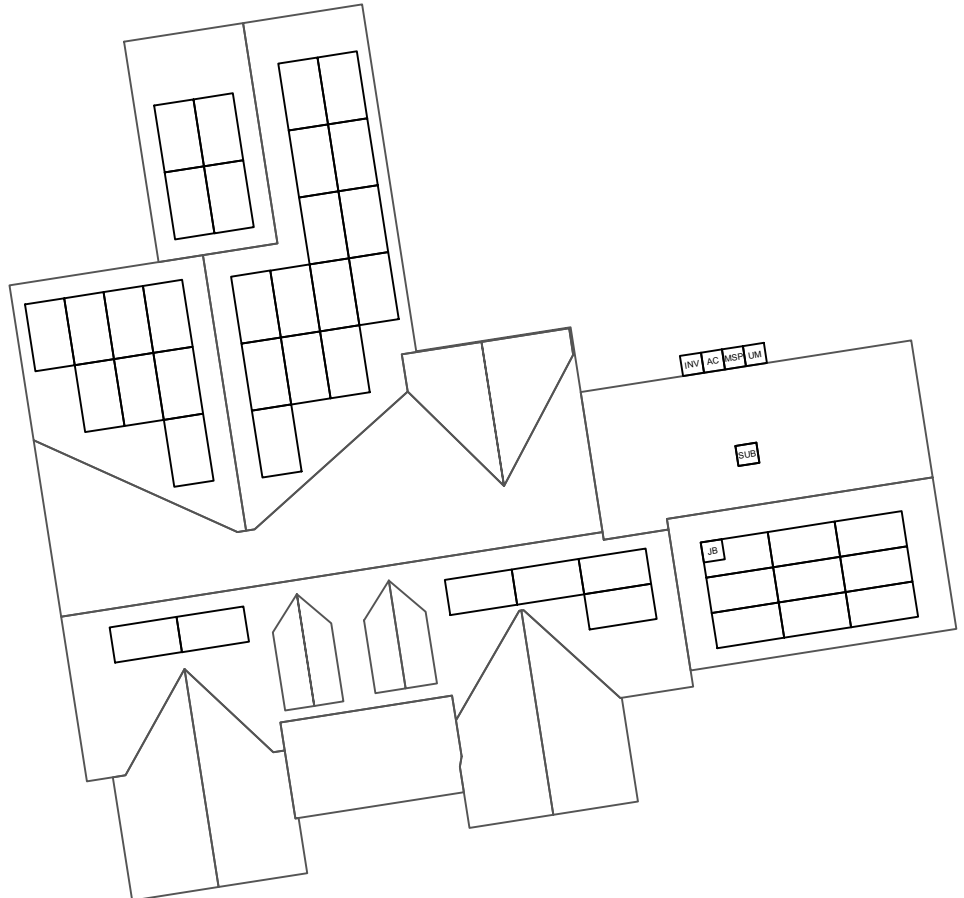
NOTES:

1. NEC ARTICLES 690 AND 705 AND IRC SECTION R324 MARKINGS SHOWN HEREON.
2. ALL MARKING SHALL CONSIST OF THE FOLLOWING:
 - A. UV RESISTANT SIGN MATERIAL WITH ENGRAVED OR MACHINE PRINTED LETTERS OR ELECTRO-PLATING.
 - B. RED BACKGROUND COLOR WHITE TEXT AND LINE WORK.
 - C. AERIAL FONT.
3. ALL SIGNS SHALL BE SIZED APPROPRIATELY AND PLACED IN THE LOCATIONS SPECIFIED. SIGNAGE CANNOT BE HAND-WRITTEN.
4. SIGNS SHALL BE ATTACHED TO THE SERVICE EQUIPMENT WITH POP-RIVETS OR SCREWS.

SOLAREEDGE OPTIMIZER CHART

1-10 11-20 21-30 31-40 41-50 51-60

1
2
3
4
5
6
7
8
9
10



CLIENT:
 RICKY RAYNOR
 107 PAUL CLAYTON CIRCLE, COATS, NC
 27521
 AHJ: HARNETT COUNTY (NC)
 UTILITY: DUKE ENERGY
 METER: 332298011
 PHONE: (919) 625-7661
 EMAIL: RICKYRAYNOR@GMAIL.COM
 FINANCE: OTHER

SYSTEM:
 SYSTEM SIZE (DC): 41 X 400 = 16.400 kW
 SYSTEM SIZE (AC): 11.400 kW @ 240V
 MODULES: 41 X FREEDOM FOREVER:
 FF-MP-BBB-400
 OPTIMIZERS: 41 X SOLAREEDGE S440
 INVERTER: SOLAREEDGE SE11400H-USRGM [S1]

REVISIONS		
NO.	REVISED BY	DATE
-	-	-
-	-	-
-	-	-



FREEDOM FOREVER LLC
 415 INDUSTRIAL CT., GREER, SC 29651
 Tel: (800) 385-1075

GREG ALBRIGHT

CONTRACTOR LICENSE:
 ELECTRICAL CONTRACTOR U.34043

OPTIMIZER CHART			
JOB NO:	DATE:	DESIGNED BY:	SHEET:
314941	3/30/2023	D.L.	PV-8

SAFETY PLAN

MARK UP KEY

INSTRUCTIONS:

- USE SYMBOLS IN KEY TO MARK UP THIS SHEET.
- SAFETY PLAN MUST BE MARKED BEFORE JOB STARTS AS PART OF THE PRE-PLAN
- DOCUMENT ALL ADDITIONAL HAZARDS ON THIS PAGE & MAKE NOTES ON THE JHA SHEET

INCIDENT REPORTING:

INJURIES - CALL INJURY HOTLINE

(855) 400-7233

**If injury is life threatening, call 911 first THEN the Injury Hotline*

NON-INJURIES - USE MOBILE INCIDENT REPORTING

(Auto, Property Damage, Near Miss)



NEAREST OCCUPATIONAL/INDUSTRIAL CLINIC:

NAME: _____

ADDRESS: _____

NEAREST HOSPITAL:

NAME: _____

ADDRESS: _____

SAFETY COACH CONTACT INFORMATION:

NAME: _____

PHONE NUMBER: _____

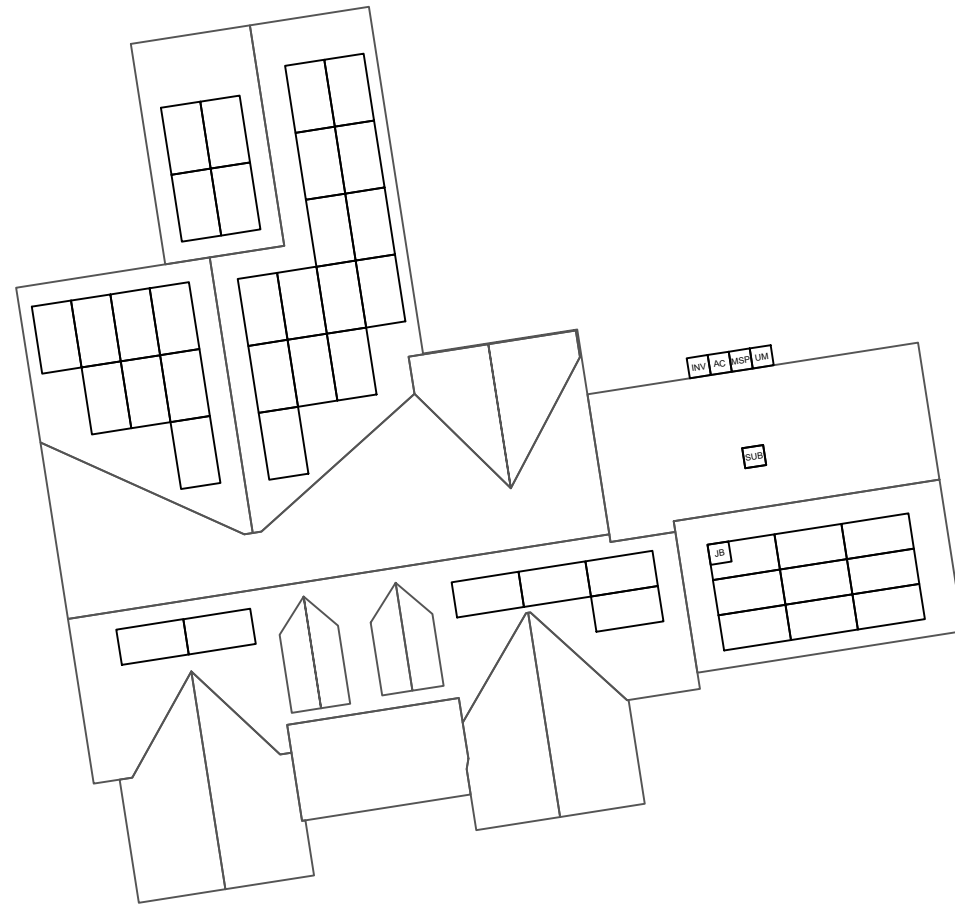
ALL EMPLOYEES ON SITE SHALL BE MADE AWARE OF THE SAFETY PLAN AND SIGN INDICATING THAT THEY ARE AWARE OF THE HAZARDS ON-SITE AND THE PLAN FOR WORKING SAFELY.

NAME

SIGNATURE

_____	_____
_____	_____
_____	_____
_____	_____
_____	_____
_____	_____
_____	_____
_____	_____

DATE: _____ TIME: _____



- P PERMANENT ANCHOR
- T TEMPORARY ANCHOR
- IL INSTALLER LADDER
- B JUNCTION / COMBINER BOX
- S STUB-OUT
- SKYLIGHT
- NO LADDER ACCESS (STEEP GRADE OR GROUND LEVEL OBSTRUCTIONS)
- RESTRICTED ACCESS
- CONDUIT
- GAS GAS SHUT OFF
- H₂O WATER SHUT OFF
- 7 SERVICE DROP
- Z POWER LINES

CLIENT:
 RICKY RAYNOR
 107 PAUL CLAYTON CIRCLE, COATS, NC 27521
 AHJ: HARNETT COUNTY (NC)
 UTILITY: DUKE ENERGY
 METER: 332298011
 PHONE: (919) 625-7661
 EMAIL: RICKYRAYNOR@GMAIL.COM
 FINANCE: OTHER

SYSTEM:
 SYSTEM SIZE (DC): 41 X 400 = 16.400 kW
 SYSTEM SIZE (AC): 11.400 kW @ 240V
 MODULES: 41 X FREEDOM FOREVER: FF-MP-BBB-400
 OPTIMIZERS: 41 X SOLAREEDGE S440
 INVERTER: SOLAREEDGE SE11400H-USRGM [S11]

REVISIONS		
NO.	REVISED BY	DATE
-	-	-
-	-	-
-	-	-

BREAK AND WATER LOG

THIS LOG IS TO BE FILLED OUT ANY TIME THE TEMP EXCEEDS 90 DEGREES. THE CREW LEAD AND ROOF LEAD ARE RESPONSIBLE FOR ENSURING THIS IS COMPLETED AND UPLOADED AT THE END OF EVERYDAY WHEN TEMPS EXCEED 90 DEGREES

NAME	0800HRS	0900HRS	1000HRS	1100HRS	1200HRS	1300HRS	1400HRS	1500HRS	1600HRS



FREEDOM FOREVER LLC
 415 INDUSTRIAL CT., GREER, SC 29651
 Tel: (800) 385-1075

GREG ALBRIGHT

CONTRACTOR LICENSE:
 ELECTRICAL CONTRACTOR U.34043

SAFETY PLAN			
JOB NO:	DATE:	DESIGNED BY:	SHEET:
314941	3/30/2023	D.L.	PV-9

JOB HAZARD ANALYSIS

Crew leader to fill out all sections below, hold a pre-job safety meeting with all personnel, and upload this completed document and the Safety Plan to Site Capture

Ladder Access

- Ladders must be inspected before each use.
- Extension ladders must be set up on a firm and level surface at a 4-to-1 rise to run angle (or 75 degrees) and the top must be secured to the structure. Extension style ladders placed on uneven, loose or slippery surfaces must additionally have the base firmly anchored or lashed so the base will not slip out.
- Extension ladders must be used with walk-through devices or the ladder must extend 36" above the stepping off point.
- A-frame ladders must only be climbed with the ladder spreader bars locked in the open position; A-frame ladders shall not be climbed while in the closed position (ex, closed and used while leaned against a structure).

Additional notes:

Mobile Equipment

- Only Qualified operators will operate equipment; operators must maintain a certification on their person for the equipment being operated.
- Type(s) of mobile equipment (Type/Make/Model):
- Qualified operator(s):

Material Handling and Storage

- Materials will be staged/stored in a way that does not present a hazard to client, personnel or public. Materials stored on the roof will be physically protect from failing or sliding off.

Fall Protection

- A site-specific plan for fall prevention and protection is required prior to starting work and must remain onsite at all times until work is complete; a fall rescue plan must be outlined and discussed among the crew prior to work start.
- First-person-Up (FPU) must install their anchor and connect before any other task, including installing other anchors. The Last-Person-Down (LPD) must be the only person on a roof uninstalling fall protection.

FPCP (name and title):

FPU and LPD (name and title):

Electrical Safety

- The Electrical Qualified Person (EQP) is required onsite to perform electrical work.
- All electrical work will be performed with equipment in an electrically safe condition (de-energized) unless approval has been granted prior to work.
- Service drops and overhead electrical hazards will be identified and protected from contact, as necessary.

EQP (name and title):

Public Protection

- The safety of the Client and Public must be maintained at all times.
- The Client and the Public shall be prevented from entering the work zone through the use of barriers and/or signage, as required.
- Company, Client and Public property shall be protected from falling objects.
- Pets (including dogs) shall be secured by their owners prior to work start.
- The Client should not leave pets, family members, or others in charge or care of Employees, Contractors, or Temporary Workers.

Crew leader responsible for communication with the client:

Client and public is excluded from work area by barricades (N/A, Yes, No):

Training and Pre-Job Safety Briefing

- All employees onsite shall be made aware of the specific hazards of this project and review this HJA during a pre-job briefing, and their signature indicates awareness of site conditions and the plan to eliminate any hazards identified prior to and during the project.

Crew leader (name/title):

Crew member (name/title):

Crew member (name/title):

Crew member (name/title):

Crew member (name/title):

Crew member (name/title):

Airborne Contaminants:

- Asbestos-containing (Transite) piping (ACP) - Do not disturb (move, drill, cut fracture, etc.)
- Asbestos-containing thermal insulation (ACI) and Asbestos-containing duct wrapping (ACW) - do not disturb, no attic or crawlspace access is allowed if work to be performed could cause exposure to personnel, client or public.

If yes, list specific tasks and protection in place:

Weather and Environment

- The site supervisor shall forecast the weather conditions at the job site, prior to crew arrival, in order to mitigate any hazards associated with inclement weather (heat, cold, wind, rain, etc.)
- The site supervisor will utilized a portable wind meter (anemometer) to verify actual onsite wind conditions, by checking at the ground and on any elevated work surface (ex, rooftop) prior to work start, at midday and prior to solar panel staging on a roof.
- Elevated work involving the moving or maneuvering of solar panels shall cease at 25mph (sustained wind) until wind subsides.

Forecasted weather maximum temp (degrees f):

Heat Related Illness Prevention

- Employees shall have access to potable drinking water that is fresh, pure, and suitably cool. The water shall be located as close as practicable to the areas where employees are working. Water shall be supplied in sufficient quantity at the beginning of the work shift to provide at least one quart per employee per hour for drinking for the entire shift. Employees may begin the shift with smaller quantities of water if they identify the location and have effective means for replenishment during the shift to allow employees to drink on quart or more per hour. The frequent drinking of water shall be encouraged.
- Shade shall be present when temperature exceeds 80 degrees Fahrenheit. When the outdoor temperature in the work exceeds 80 degrees Fahrenheit, employees shall have and maintain one or more areas with shade at all times.
- New employees must be acclimatized. New employees will be monitored by their Crew Leader (site supervisor) for the first two (2) weeks of employment or longer when necessary.
- Employees will be allowed and encouraged to implement scheduled breaks during each shift. Employees must take cool-down breaks in the shade any time they feel the need to do so to protect them from overheating. Supervisors are REQUIRED to allow employees any break period they need during high heat conditions.
- Cool Vests are encouraged for all employees at all times during periods of high heat.
- Identify the location of the closet Occupational/Industrial Clinic or Hospital in case a crew member becomes ill.

What is the specific plan to provide and replenish sufficient water for all employees on site?

If offsite replenish is necessary, where will you go to replenish water (location/address):

Who will replenish the drinking water (name):

Restroom facilities

- Employees shall have access to restroom facilities with hand-washing stations. Use of onsite restroom is at the client's discretion (location is annotated below). If client does not give permission, location of suitable restroom facilities with hand-washing stations offsite will be provided. The onsite supervisor will identify location and make arrangements to ensure all employees have access at any point.

Restroom facilities will be (circle one): Onsite - Offsite

If Offsite, add location name and address:

Incident Reporting Procedure

Contact your Site Supervisor
Name:

Phone:

Contact your Manager
Name:

Phone:

Contact your Site Supervisor
Name:

Phone:

With: Your full name, phone number, office location, brief description of what happen and when.

NOTE ADDITIONAL HAZARDS NOT ADDRESSED ABOVE

(add as many as necessary by using additional sheets)

Define the Hazard:	Method/steps to prevent incident:
Define the Hazard:	Method/steps to prevent incident:
Define the Hazard:	Method/steps to prevent incident:
Define the Hazard:	Method/steps to prevent incident:

CLIENT:
RICKY RAYNOR
107 PAUL CLAYTON CIRCLE, COATS, NC 27521
AHJ: HARNETT COUNTY (NC)
UTILITY: DUKE ENERGY
METER: 332298011
PHONE: (919) 625-7661
EMAIL: RICKYYRICKRAYNOR@GMAIL.COM
FINANCE: OTHER

SYSTEM:
SYSTEM SIZE (DC): 41 X 400 = 16.400 kW
SYSTEM SIZE (AC): 11.400 kW @ 240V
MODULES: 41 X FREEDOM FOREVER:
FF-MP-BBB-400
OPTIMIZERS: 41 X SOLAREEDGE S440
INVERTER: SOLAREEDGE SE11400H-USRGM [S11]

REVISIONS		
NO.	REVISED BY	DATE
-	-	-
-	-	-
-	-	-



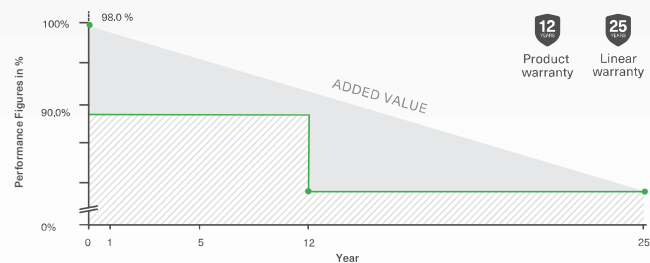
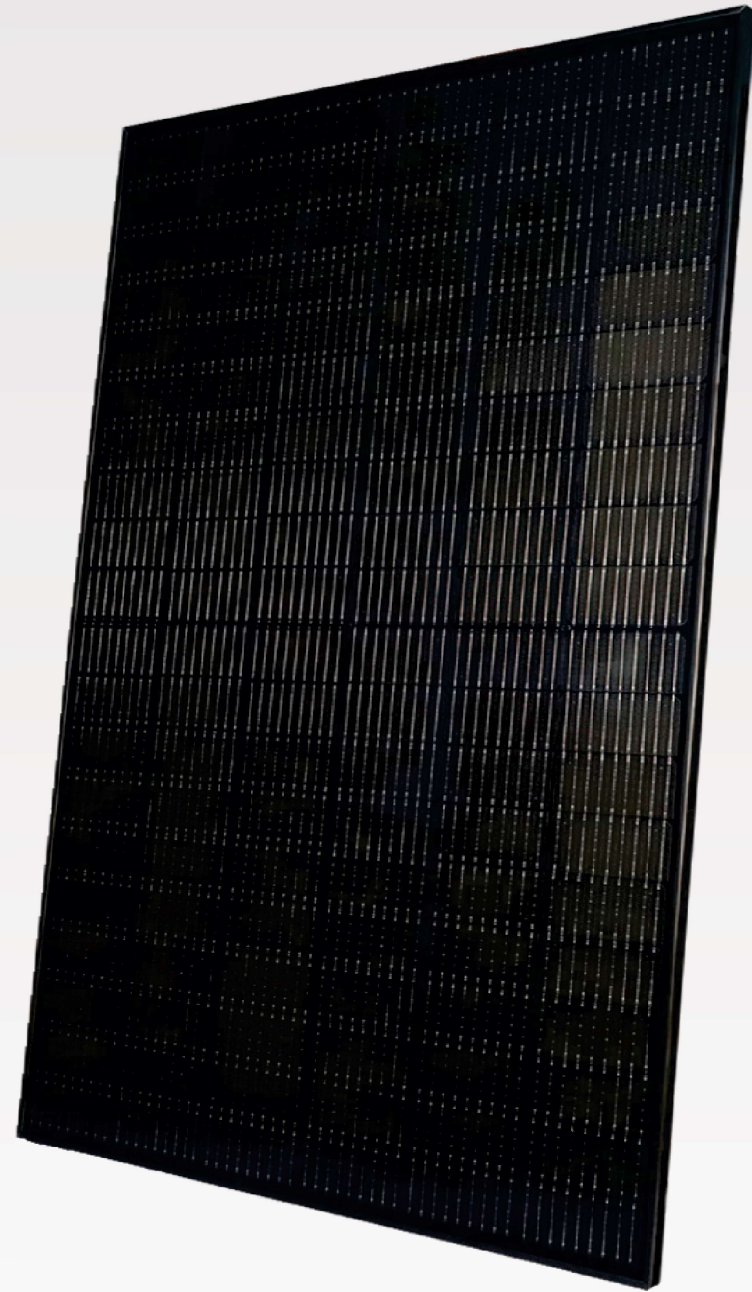
FREEDOM FOREVER LLC
415 INDUSTRIAL CT., GREER, SC 29651
Tel: (800) 385-1075

GREG ALBRIGHT



CONTRACTOR LICENSE:
ELECTRICAL CONTRACTOR U.34043

SAFETY PLAN			
JOB NO: 314941	DATE: 3/30/2023	DESIGNED BY: D.L.	SHEET: PV-10



MODULE SPECIFICATIONS

ELECTRICAL CHARACTERISTICS

Characteristics	FF-MP-BBB-400
Maximum Power (Pmax)	400W
Maximum Power Voltage (Vmp)	31.01V
Maximum Power Current (Imp)[A]	12.90A
Open Circuit Voltage (Voc)[V]	37.04V
Short Circuit Current (Isc)[A]	13.79A
Module Efficiency	20.48%
Power Tolerance	0/+5W
STC	Irradiance of 1000W/m ² , AM1.5, Cell Temperature 25°C

MECHANICAL CHARACTERISTICS

Cell Type	Mono perc, 182 mm-half cells, 108 (6x9+6x9)
Weight	22.1 kgs (48.7 lbs)
Dimension	1722 x 1134 x 35 mm (67.80 x 44.65 x 1.38 in)
Front Glass	3.2 mm (.13 in)
Junction Box	IP68 (3 Bypass Diodes)
Output Cables	1200 mm (47.24 in)
Connector	Staubli MC4
Frame & Installation	Anodized aluminum profile

OPERATIONS CHARACTERISTICS

Operational Temperature	-40°C~+85°
Max System Voltage	1500V
Max Series Fuse Rating	25A
Safety Class	Class II
Fire Rating	Type 1

MECHANICAL LOADING

Snow Load	5,400Pa (113lb/ft ²)
Rear Side Design Load	2,400Pa (50lb/ft ²)

PACKAGING INFORMATION

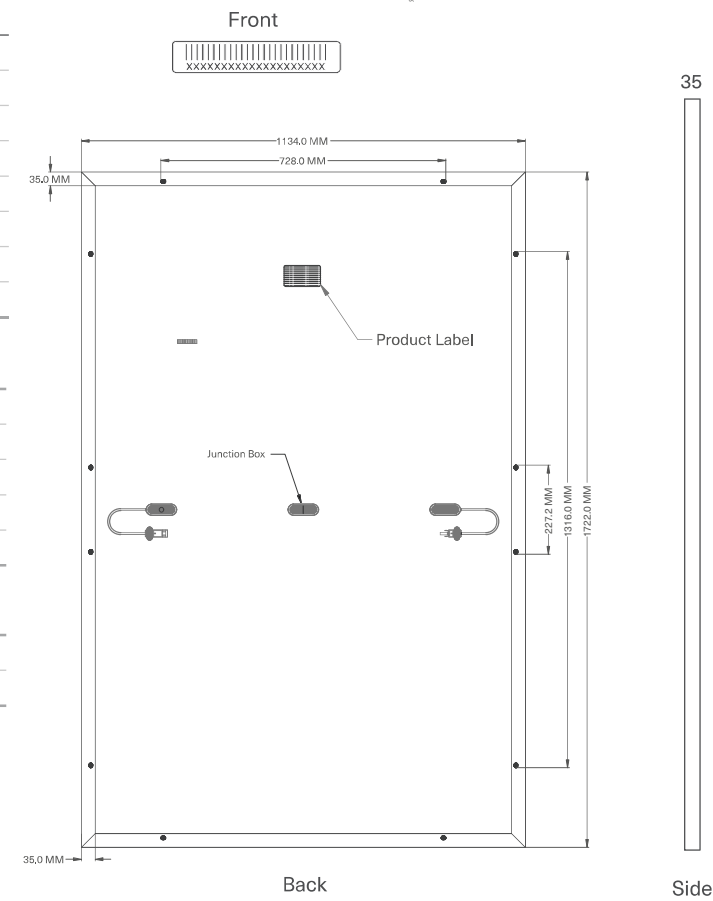
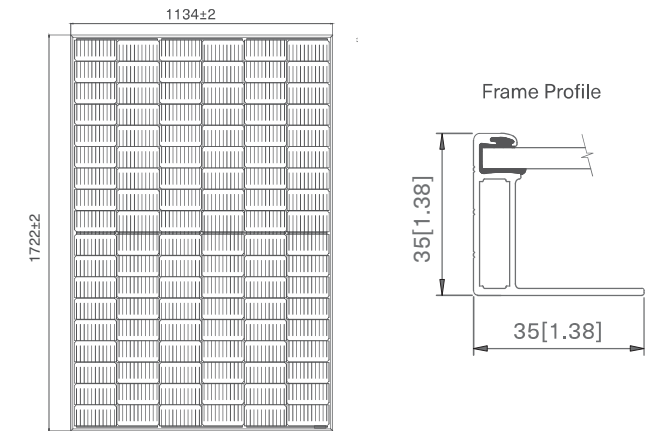
Container	20' GP	40' HC
Pallets per Container	6	26
Panels per Container	186	806
Panels per Pallet	31	31
Packaging Bon Weight	679 kg (1497 lbs)	
Panels per Pallet	1785 x 1130 x 1180 mm (70.28 x 44.49 x 46.46 in)	

TEMPERATURE RATINGS

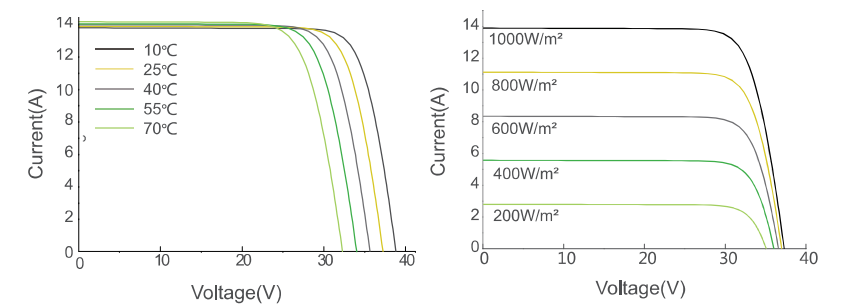
Temperature Coefficient of P _{max}	-0.350%/°C
Temperature Coefficient of V _{oc}	-0.275%/°C
Temperature Coefficient of I _{sc}	+0.045%/°C
Nominal Operating cell Temperature (NOCT)	42°C±2°C



UL 61730 | UL 61215 | ISO 9001 | ISO 14001



CURRENT-VOLTAGE CURVE



CERTIFICATE OF COMPLIANCE

This certificate confirms the model(s) for the product listed are in compliance and authorized to bear the Certification Mark(s) shown below when made in accordance with the conditions set forth in the Certification Agreement and Listing Report. This document is for use with the Design Light Consortium or California Energy Commission application only.

Basic Listee:	PT IDN SOLAR TECH	Multiple Listee:	Freedom Forever Procurement LLC
Address:	KOMPLEK KABIL INDONUSA ESTATE, BLOK A NOMOR 19B, BATU BESAR, Batam	Address:	43445 Business Park Drive, Suite 110, Temecula, CA 92590
Country:	Indonesia	Country:	USA

Party Authorized to Apply Label: PT IDN SOLAR TECH
Report Issuing Office: Intertek Testing Services Shanghai Limited

Control Number: 5019087 **Authorized by:** *Jordan Hobbert*
for L. Matthew Snyder, Certification Manager

VALID LISTING MARKS



This Certificate of Compliance is for the exclusive use of Intertek's Client and is provided pursuant to the Certification Agreement between Intertek and its Client. Intertek's responsibility and liability are limited to the terms and conditions of the Agreement. Intertek assumes no liability to any party, other than to the Client in accordance with the Agreement, for any loss, expense or damage occasioned by the use of this Certificate. Only the Client is authorized to permit copying or distribution of this Certificate and then only in its entirety. Use of Intertek's Certification mark is restricted to the conditions laid out in the Agreement and in this Certificate. Any further use of the Intertek name for the sale or advertisement of the tested material, product or service must first be approved in writing by Intertek. Initial Factory Assessments and Follow up Services are for the purpose of assuring appropriate usage of the Certification mark in accordance with the Agreement, they are not for the purposes of production quality control and do not relieve the Client of their obligations in this respect.

Intertek Testing Services NA Inc.
545 East Algonquin Road, Arlington Heights, IL 60005
Telephone 800-345-3851 or 847-439-5667

Standard(s):	Photovoltaic (PV) Module Safety Qualification - Part 1: Requirements for Construction [UL 61730-1:2017 Ed.1+R:30Apr2020]
	Photovoltaic (PV) Module Safety Qualification - Part 1: Requirements for Construction [CSA C22.2#61730-1:2019 Ed.2]
	Photovoltaic (PV) Module Safety Qualification - Part 2: Requirements for Testing [UL 61730-2:2017 Ed.1+R:30Apr2020]

CERTIFICATE OF COMPLIANCE

	Photovoltaic (PV) Module Safety Qualification - Part 2: Requirements for Testing [CSA C22.2#61730-2:2019 Ed.2]	
	Terrestrial Photovoltaic (Pv) Modules - Design Qualification And Type Approval - Part 1: Test Requirements [UL 61215-1:2017 Ed.1]	
	Terrestrial Photovoltaic (PV) Modules - Design Qualification And Type Approval - Part 1-1: Special Requirements For Testing of Crystalline Silicon Photovoltaic (PV) Modules [UL 61215-1-1:2017 Ed.1]	
	Terrestrial Photovoltaic (Pv) Modules - Design Qualification And Type Approval - Part 2: Test Procedures[UL 61215-2:2017 Ed.1]	
Product:	Crystalline Silicon Photovoltaic (PV) Modules	
Brand Name:	Freedom Forever	
Models:	MULTIPLE LISTEE 12 MODELS	BASIC LISTEE MODELS
	FF-MP-BBB- followed by 365, 370, 375 or 380. FF-MP-BBB- followed by 395, 400, 405 or 410.	NUSA120H- followed by 365, 370, 375 or 380; followed by MB. NUSA108H- followed by 395, 400, 405 or 410; followed by MB.

Power Optimizer For North America

S440, S500



POWER OPTIMIZER

PV power optimization at the module level

- Specifically designed to work with SolarEdge residential inverters
- Detects abnormal PV connector behavior, preventing potential safety issues*
- Module-level voltage shutdown for installer and firefighter safety
- Superior efficiency (99.5%)
- Mitigates all types of module mismatch loss, from manufacturing tolerance to partial shading
- Faster installations with simplified cable management and easy assembly using a single bolt
- Flexible system design for maximum space utilization
- Compatible with bifacial PV modules
- Meets NEC requirements for arc fault protection (AFCI) and Photovoltaic Rapid Shutdown System (PVRSS)

* Expected availability in 2022

solaredge.com



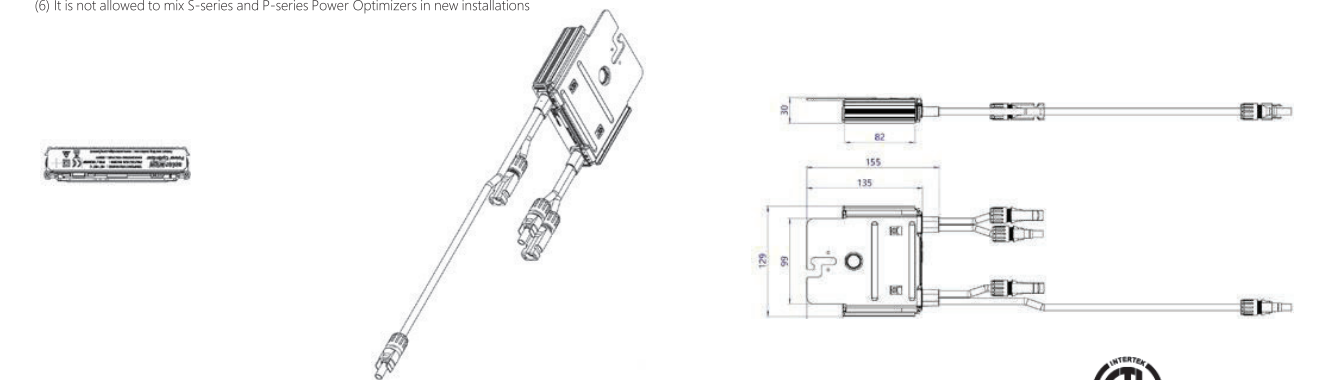
Power Optimizer For North America S440, S500

	S440	S500	Unit
INPUT			
Rated Input DC Power ⁽¹⁾	440	500	W
Absolute Maximum Input Voltage (Voc)	60		Vdc
MPPT Operating Range	8 - 60		Vdc
Maximum Short Circuit Current (Isc) of Connected PV Module	14.5	15	Adc
Maximum Efficiency	99.5		%
Weighted Efficiency	98.6		%
Oversvoltage Category	II		
OUTPUT DURING OPERATION			
Maximum Output Current	15		Adc
Maximum Output Voltage	60		Vdc
OUTPUT DURING STANDBY (POWER OPTIMIZER DISCONNECTED FROM INVERTER OR INVERTER OFF)			
Safety Output Voltage per Power Optimizer	1+/-0.1		Vdc
STANDARD COMPLIANCE			
Photovoltaic Rapid Shutdown System	NEC 2014, 2017 & 2020		
EMC	FCC Part 15 Class B, IEC61000-6-2, IEC61000-6-3		
Safety	IEC62109-1 (class II safety), UL1741		
Material	UL94 V-0, UV Resistant		
RoHS	Yes		
Fire Safety	VDE-AR-E 2100-712:2013-05		
INSTALLATION SPECIFICATIONS			
Maximum Allowed System Voltage	1000		Vdc
Dimensions (W x L x H)	129 x 153 x 30 / 5.07 x 6.02 x 1.18		mm / in
Weight (including cables)	655 / 1.5		gr / lb
Input Connector	MC4 ⁽²⁾		
Input Wire Length	0.1 / 0.32		m / ft
Output Connector	MC4		
Output Wire Length	(+) 2.3, (-) 0.10 / (+) 7.54, (-) 0.32		m / ft
Operating Temperature Range ⁽³⁾	-40 to +85		°C
Protection Rating	IP68 / Type6B		
Relative Humidity	0 - 100		%

(1) Rated power of the module at STC will not exceed the power optimizer Rated Input DC Power. Modules with up to +5% power tolerance are allowed
 (2) For other connector types please contact SolarEdge
 (3) For ambient temperature above +70°C / +158°F power de-rating is applied. Refer to Power Optimizers Temperature De-Rating Technical Note for more details

PV System Design Using a SolarEdge Inverter	Single Phase HD-Wave	Three Phase for 208V grid	Three Phase for 277/480V grid	
Minimum String Length (Power Optimizers)	S440, S500	8	14	18
Maximum String Length (Power Optimizers)	25		50 ⁽⁴⁾	
Maximum Nominal Power per String	5700 (6000 with SE7600-US-SE11400-U)	6000	12750	W
Maximum Allowed Connected Power per String ⁽⁵⁾ (Permitted only when the difference in connected power between strings is 1,000W or less)	Refer to Footnote 5	One String 7200W Two strings or more 7800W	15,000W	
Parallel Strings of Different Lengths or Orientations	Y			

(4) A string with more than 30 optimizers does not meet NEC rapid shutdown requirements; safety voltage will be above the 30V requirement
 (5) If the inverters rated AC power < maximum nominal power per string, then the maximum power per string will be able to reach up to the inverters maximum input DC power. Refer to: <https://www.solaredge.com/sites/default/files/se-power-optimizer-single-string-design-application-note.pdf>
 (6) It is not allowed to mix S-series and P-series Power Optimizers in new installations



© SolarEdge Technologies, Inc. All rights reserved. SOLAREEDGE, the SolarEdge logo, OPTIMIZED BY SOLAREEDGE are trademarks or registered trademarks of SolarEdge Technologies, Inc. All other trademarks mentioned herein are trademarks of their respective owners. Date: February 8, 2022 DS-000018-NA. Subject to change without notice.



Single Phase Inverter with HD-Wave Technology for North America

SE3000H-US / SE3800H-US / SE5000H-US / SE6000H-US / SE7600H-US / SE10000H-US / SE11400H-US



INVERTERS

Optimized installation with HD-Wave technology

- Specifically designed to work with power optimizers
- Record-breaking 99% weighted efficiency
- Quick and easy inverter commissioning directly from a smartphone using the SolarEdge SetApp
- Fixed voltage inverter for longer strings
- Integrated arc fault protection and rapid shutdown for NEC 2014, NEC 2017 and NEC 2020 per article 690.11 and 690.12
- UL1741 SA certified, for CPUC Rule 21 grid compliance
- Small, lightweight, and easy to install both outdoors or indoors
- Built-in module-level monitoring
- Optional: Faster installations with built-in consumption metering (1% accuracy) and production revenue grade metering (0.5% accuracy, ANSI C12.20)

Single Phase Inverter with HD-Wave Technology for North America

SE3000H-US / SE3800H-US / SE5000H-US / SE6000H-US / SE7600H-US / SE10000H-US / SE11400H-US

MODEL NUMBER	SE3000H-US	SE3800H-US	SE5000H-US	SE6000H-US	SE7600H-US	SE10000H-US	SE11400H-US	
APPLICABLE TO INVERTERS WITH PART NUMBER	SEXXXXH-XXXXXBXX4							
OUTPUT								
Rated AC Power Output	3000	3800 @ 240V 3300 @ 208V	5000	6000 @ 240V 5000 @ 208V	7600	10000	11400 @ 240V 10000 @ 208V	VA
Maximum AC Power Output	3000	3800 @ 240V 3300 @ 208V	5000	6000 @ 240V 5000 @ 208V	7600	10000	11400 @ 240V 10000 @ 208V	VA
AC Output Voltage Min.-Nom.-Max. (211 - 240 - 264)	✓	✓	✓	✓	✓	✓	✓	Vac
AC Output Voltage Min.-Nom.-Max. (183 - 208 - 229)	-	✓	-	✓	-	-	✓	Vac
AC Frequency (Nominal)	59.3 - 60 - 60.5 ⁽¹⁾							Hz
Maximum Continuous Output Current @240V	12.5	16	21	25	32	42	47.5	A
Maximum Continuous Output Current @208V	-	16	-	24	-	-	48.5	A
Power Factor	1, Adjustable - 0.85 to 0.85							
GFDI Threshold	1							A
Utility Monitoring, Islanding Protection, Country Configurable Thresholds	Yes							
INPUT								
Maximum DC Power @240V	4650	5900	7750	9300	11800	15500	17650	W
Maximum DC Power @208V	-	5100	-	7750	-	-	15500	W
Transformer-less, Ungrounded	Yes							
Maximum Input Voltage	480							Vdc
Nominal DC Input Voltage	380							Vdc
Maximum Input Current @240V ⁽²⁾	8.5	10.5	13.5	16.5	20	27	30.5	Adc
Maximum Input Current @208V ⁽²⁾	-	9	-	13.5	-	-	27	Adc
Max. Input Short Circuit Current	45							Adc
Reverse-Polarity Protection	Yes							
Ground-Fault Isolation Detection	600k Ω Sensitivity							
Maximum Inverter Efficiency	99	99.2						%
CEC Weighted Efficiency	99						99 @ 240V 98.5 @ 208V	%
Nighttime Power Consumption	< 2.5							W

(1) For other regional settings please contact SolarEdge support

(2) A higher current source may be used; the inverter will limit its input current to the values stated

/ Single Phase Inverter with HD-Wave Technology

for North America

SE3000H-US / SE3800H-US / SE5000H-US / SE6000H-US/
SE7600H-US / SE10000H-US / SE11400H-US

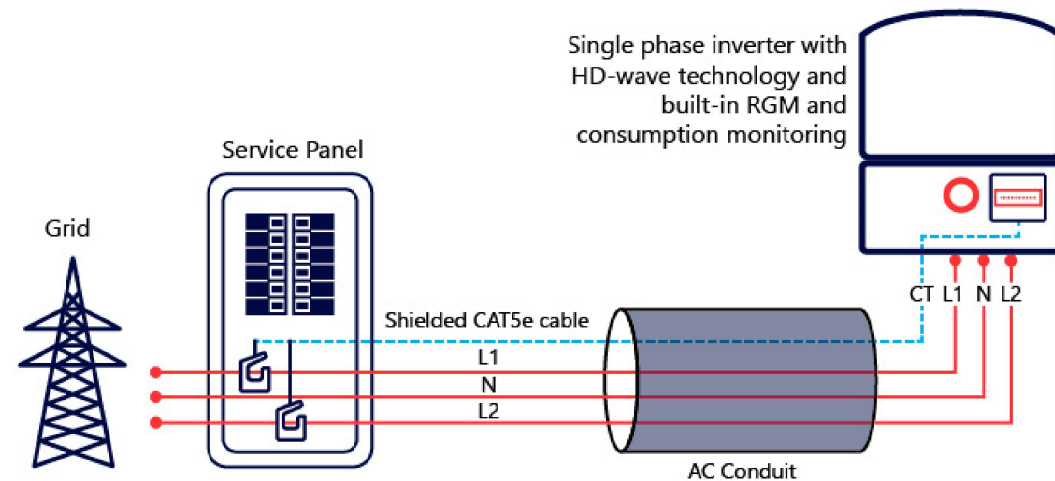
MODEL NUMBER	SE3000H-US	SE3800H-US	SE5000H-US	SE6000H-US	SE7600H-US	SE10000H-US	SE11400H-US
ADDITIONAL FEATURES							
Supported Communication Interfaces	RS485, Ethernet, ZigBee (optional), Cellular (optional)						
Revenue Grade Metering, ANSI C12.20	Optional ⁽³⁾						
Consumption metering							
Inverter Commissioning	With the SetApp mobile application using Built-in Wi-Fi Access Point for Local Connection						
Rapid Shutdown - NEC 2014, NEC 2017 and NEC 2020, 690.12	Automatic Rapid Shutdown upon AC Grid Disconnect						
STANDARD COMPLIANCE							
Safety	UL1741, UL1741 SA, UL1699B, CSA C22.2, Canadian AFCI according to T.I.L. M-07						
Grid Connection Standards	IEEE1547, Rule 21, Rule 14 (HI)						
Emissions	FCC Part 15 Class B						
INSTALLATION SPECIFICATIONS							
AC Output Conduit Size / AWG Range	1" Maximum / 14-6 AWG			1" Maximum / 14-4 AWG			
DC Input Conduit Size / # of Strings / AWG Range	1" Maximum / 1-2 strings / 14-6 AWG			1" Maximum / 1-3 strings / 14-6 AWG			
Dimensions with Safety Switch (HxWxD)	17.7 x 14.6 x 6.8 / 450 x 370 x 174			21.3 x 14.6 x 7.3 / 540 x 370 x 185			
Weight with Safety Switch	22 / 10	25.1 / 11.4	26.2 / 11.9	38.8 / 17.6			
Noise	< 25			< 50			
Cooling	Natural Convection						
Operating Temperature Range	-40 to +140 / -40 to +60 ⁽⁴⁾						
Protection Rating	NEMA 4X (Inverter with Safety Switch)						

(3) Inverter with Revenue Grade Meter P/N: SExxxxH-US000BNC4; Inverter with Revenue Grade Production and Consumption Meter P/N: SExxxxH-US000BNI4. For consumption metering, current transformers should be ordered separately: SEACT0750-200NA-20 or SEACT0750-400NA-20. 20 units per box

(4) Full power up to at least 50°C / 122°F; for power de-rating information refer to: <https://www.solaredge.com/sites/default/files/se-temperature-derating-note-na.pdf>

How to Enable Consumption Monitoring

By simply wiring current transformers through the inverter's existing AC conduits and connecting them to the service panel, homeowners will gain full insight into their household energy usage helping them to avoid high electricity bills



pe.eaton.com

Eaton general duty non-fusible safety switch

DG222URB

UPC:782113144238

Dimensions:

- **Height:** 14.38 IN
- **Length:** 7.38 IN
- **Width:** 8.69 IN

Weight:9 LB

Notes:WARNING! Switch is not approved for service entrance unless a neutral kit is installed.

Warranties:

- Eaton Selling Policy 25-000, one (1) year from the date of installation of the Product or eighteen (18) months from the date of shipment of the Product, whichever occurs first.

Specifications:

- **Type:** Non-fusible, single-throw
- **Amperage Rating:** 60A
- **Enclosure:** NEMA 3R, Rainproof
- **Enclosure Material:** Painted galvanized steel
- **Fuse Configuration:** Non-fusible
- **Number Of Poles:** Two-pole
- **Number Of Wires:** Two-wire
- **Product Category:** General duty safety switch
- **Voltage Rating:** 240V

Supporting documents:

- [Eatons Volume 2-Commercial Distribution](#)
- [Eaton Specification Sheet - DG222URB](#)

Certifications:

- UL Listed

Product compliance: No Data



INSULATION-PIERCING TAP CONNECTORS CONECTORES DE DERIVACIÓN QUE PERFORAN EL AISLAMIENTO

Installation Instructions:

Warning

Improperly installed electrical wiring can be dangerous and cause electrical fires. The connector chosen must be sized to the wires being used. Consult local building code before doing any electrical work. For assistance, refer to an instructional book or consult a qualified electrician.

Warning

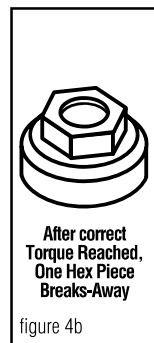
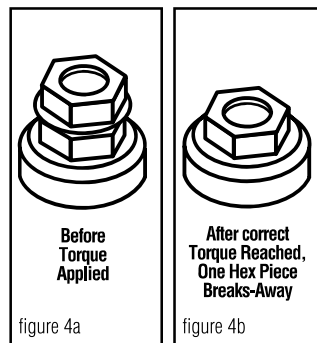
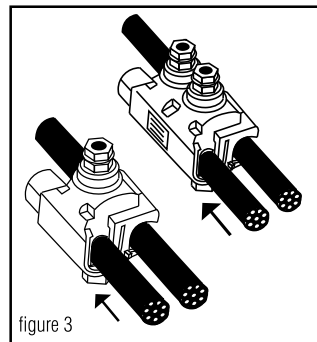
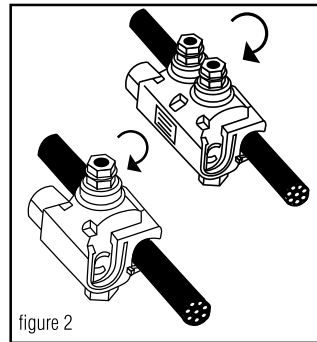
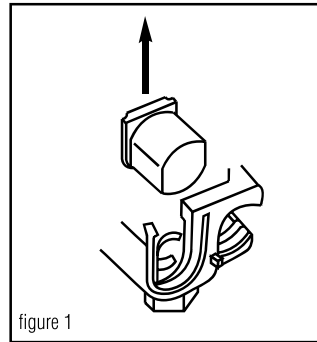
Contact with electricity can cause serious injury or death. Use on insulated cable only. [RHH, RHW(-2), THHN, THHW, THW, THWN, USE, XHHW(-2)]. Consult factory for other insulation types). If the installation is to be made on an energized run, the tap conductor must be under no load and must not be grounded. Use electrically insulated gloves. De-energize the run cable if there are any questions of these conditions being met.

- Determine the direction for the tap conductor to exit and discard one end cap. **See figure 1.**
- Position the main (or feeder) side of the connector around the run cable and tighten the bolt finger tight. **See figure 2.** If required, loosen the bolt slightly to allow the connector to open completely. **DISASSEMBLY NOT RECOMMENDED.** The plastic "Turbo" spacer holds the connector open which eases installation and ensures proper connections.
- Cut the end of the tap cable squarely. **DO NOT STRIP CABLE INSULATION.**
- Insert the tap cable into the tap side of the connector until it is seated in the remaining end cap. **See figure 3.**
- Continue tightening the torque regulating bolt with a standard box or socket wrench until the torque regulating piece breaks away. If the connector has two (2) assembly bolts, alternately tighten until the hexagonal torque devices break away. **See figures 4a & 4b.** Note that the plastic "turbo" spacer on the side will also break. To make the installation even easier and to relieve torque from the cables, a second wrench can be used on the hexagonal piece on the bottom of the connector.

DO NOT use gripping type pliers, pipe, open ended or adjustable wrenches as these may damage the hexagonal torque regulating device. A torque wrench is not required.

MAKE SURE ONLY THE TOP HEXAGONAL TORQUE DEVICE OF THE BOLT HEAD IS USED FOR ASSEMBLY. THE SECOND HEX PIECE [CLOSER TO THE BODY OF THE CONNECTOR] IS USED FOR DISASSEMBLY.

Note: The torque regulating bolt ensures the correct torque is applied to the conductors without using a torque wrench. Important information such as run and tap ranges, voltage ratings and material/temperature ratings is marked on the connector.



Instalación Instrucciones:

Advertencia

Los cables eléctricos mal instalados pueden ser peligrosos y provocar incendios. El conector escogido debe ser de un tamaño adecuado para los cables que se utilicen. Consulte los códigos de construcción locales antes de efectuar trabajos eléctricos. Si necesita ayuda, consulte un libro de instrucciones o consulte con un electricista capacitado.

Advertencia

Use sólo en cable aislado. [RHH, RHW(-2), THHN, THHW, THW, THWN, USE, XHHW(-2)]. Consulte con la fábrica para obtener información sobre otros tipos de aislamiento). Si se va a hacer la instalación sobre un cable con corriente el conductor derivado debe estar libre de carga y no debe estar aterado. Use guantes con aislamiento eléctrico. Quite la corriente al cable del cual se hace la derivación si no se pueden cumplir estas condiciones. El contacto con electricidad puede producir lesiones graves o mortales.

- Determine la dirección en la que el conductor derivado saldrá y deseche la tapa terminal sobrante. **Vea la ilustración 1.**
- Coloque el lado principal (o de alimentación) del conector alrededor del cual se hace la derivación y apriete firmemente el dedo del perno. **Vea la ilustración 2.** Si hace falta, afloje el perno ligeramente para permitir que el conector se abra completamente. **NO ES RECOMENDABLE DESARMAR EL CONECTOR.** El espaciador "Turbo" de plástico mantiene al conector abierto, lo cual facilita la instalación y asegura que las conexiones se hagan correctamente.
- Corte el extremo del cable de derivación perpendicularmente a su eje. **NO PELE EL AISLAMIENTO DEL CABLE.**
- Inserte el cable de derivación en el lado de derivación del conector hasta que tope contra la tapa terminal que queda. **Vea la ilustración 3.**
- Continúe apretando este perno que regula la torsión con una llave estándar o de cubo hasta que la pieza que regula la torsión se parta y se separe. Si el conector tiene dos (2) pernos de ensamblaje, apriételes alternativamente hasta que el dispositivo de regulación de torció se parta. **Vea la ilustración 4a y 4b.** Observe que el espaciador "turbo" de plástico en el costado también se fracturará. Para hacer esta instalación aún más fácil y para aliviar la torsión de los cables, se puede usar una segunda llave sobre la pieza hexagonal al fondo del conector.

NO USE alicates de presión, llaves de turbo, llaves comunes o ajustables ya que éstas pueden dañar el dispositivo hexagonal que regula la torsión. No se requiere una llave de torsión.

ASEGÚRESE QUE SE USE, PARA EL ENSAMBLADO, SÓLO EL DISPOSITIVO SUPERIOR DE REGULACIÓN DE TORSIÓN DE LA CABEZA DEL PERNO. LA SEGUNDA PIEZA HEXAGONAL (LA MÁS CERCANA AL CUERPO DEL CONECTOR) SE USA SÓLO PARA DESARMAR EL CONECTOR.

Nota: El perno regulador de torsión garantiza la aplicación de la torsión correcta a los conductores sin usar una llave de torsión. La información importante de longitud de cable pelado y de toma, las clasificaciones de materiales y temperatura está marcada en el conector.

B-TAP[®] INSULATION PIERCING TAP CONNECTORS TORQUE AND CURRENT RATINGS

(Solid and/or Stranded)

CATALOG#	MAIN	TAP	NOMINAL TORQUE	TAP CURRENT RATING (IN AMPS)*
BTC2/0-14	2/0-4	10-14+	80 IN. LBS.	40
BTC1/0-10	1/0-8	2-10++	80 IN. LBS.	130
BTC4/0-10	4/0-3	2-10+++	125 IN. LBS.	130
BTC4/0-6	4/0-2	1/0-6	160 IN. LBS.	170
BTC4/0-2	4/0-2	4/0-2	160 IN. LBS.	260
BTC250-6	250-4	4/0-6	160 IN. LBS.	260
BTC250-4	250-1	3/0-4	160 IN. LBS.	225
BTC250-2	250-1/0	4/0-2	160 IN. LBS.	260
BTC350-1/0	350-1/0	350-1/0	330 IN. LBS.	350
BTC500-4	500-2/0	4/0-4	330 IN. LBS.	260
BTC500-1/0	500-4/0	350-1/0	330 IN. LBS.	350
BTC500-14	750-3/0	10-14 ++++	80 IN. LBS.	40
BTC750-250	750-250	500-250	330 IN. LBS.	430

+10-14 Cu SOLID/STRANDED; 10-12 Al SOLID/STRANDED
++2-10 Cu SOLID/STRANDED; 2-10 Al STRANDED
+++2-10 Cu SOLID/STRANDED; 2-8 Al STRANDED
++++10-14 Cu SOLID/STRANDED; 10-12 Al STRANDED

Full line is 600V dual-rated, 194°F(90°C)

* Based on NEC Table 310-16 1996 (Not more than 3 insulated conductors in a raceway at ambient temperature of 30° C) for the largest tap wire size.

Warning: Cancer and Reproductive Harm - www.P65Warnings.ca.gov.

Advertencia: Cáncer y Daño Reproductivo - www.P65Warnings.ca.gov.

One year limited warranty. See idealind.com for more information.

Garantía limitada de un año. Visite www.idealind.com para obtener detalles de la garantía.



IDEAL INDUSTRIES, INC.

1375 Park Avenue • Sycamore, Illinois 60178 • 815.895.5181 • www.idealind.com

ALL IDEAL Customers

2/9/23

Subject: **The Buchanan B-TAP® splice/tap connectors meet the 2020 NEC article 230.46 requirement for “line side applications”**

The Buchanan B-TAP® brand of insulation piercing connectors which correspond to part numbers beginning with “BTC” meet the requirements of article 230.46 of the 2020 NEC. These products have already been tested to the newer requirements. The installation instructions are in the process of being updated to show the required notation: “suitable for use on the line side of the service equipment”. This change will take a few weeks to get into our production.

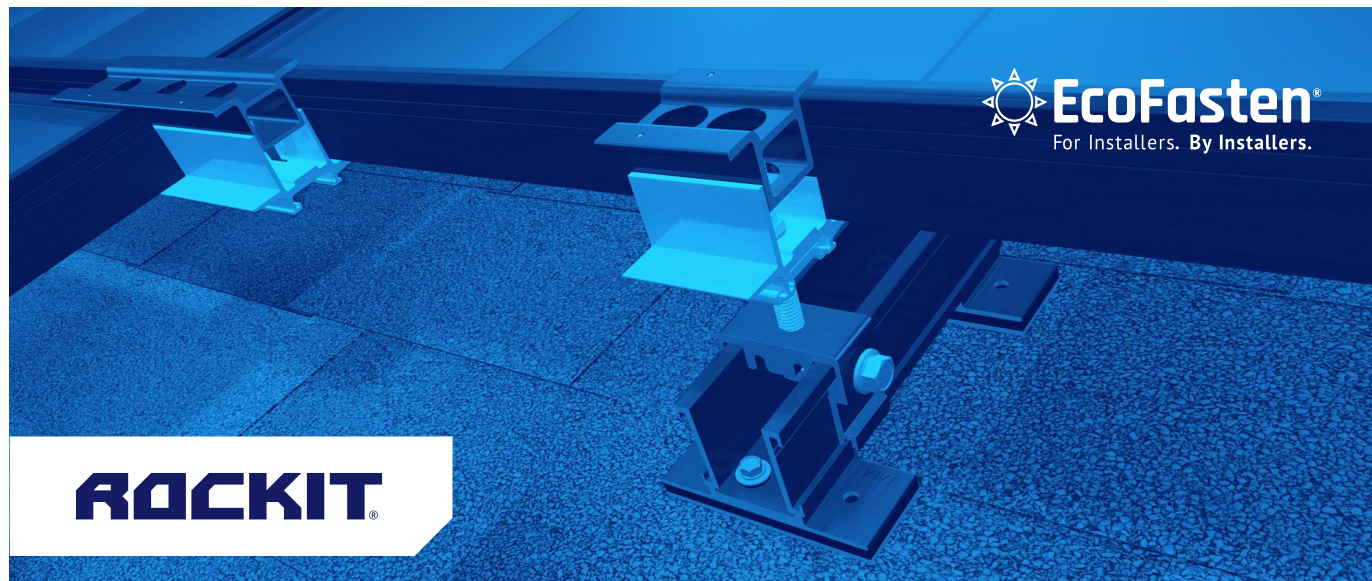
In addition, the marking “SR” will be added to the product. That addition is in process and will take a few months to complete.

This notice will provide confirmation to the inspectors that B-TAP® products meet the requirements of the 2020 and 2023 NEC article 230.46 “Spliced and Tapped Conductors”.

Sushil Keswani

A handwritten signature in black ink, appearing to read "Sushil Keswani", written in a cursive style.

Director of Engineering
IDEAL Industries, Inc.,



ROCKIT

INTRODUCING ROCKIT SMART SLIDE!

Introducing EcoFasten’s patent pending RockIt Smart Slide, our simple solution for quickly installing the popular RockIt rail-less racking system to composition shingle roofs.

Features & Benefits

- Eliminates the need to pry up shingle courses and install a metal flashing
- Multiple opportunities to find the rafter
- No need for additional material when architectural shingles are not level
- Longer 6.75” slide avoids overlaps in shingle courses
- Integrated flashing utilizes UltraGrip Technology™ to create a watertight seal



ROCKIT SMART SLIDE

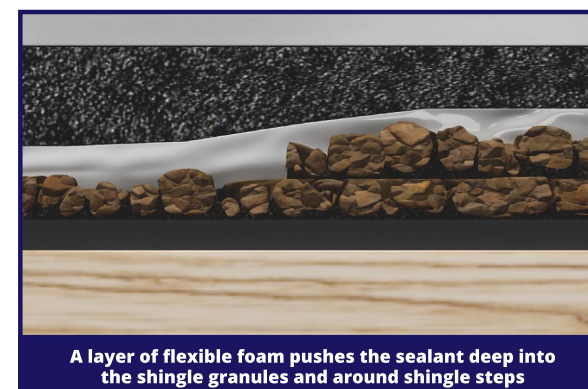
Required Components:

Part Number:	Description:
2011024	RI SMART SLIDE BLK 6.75”
2011025	RI SMART SCRW #12X3” W/BW

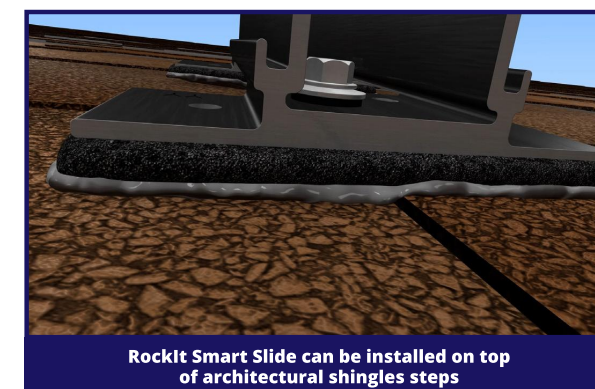
ROCKIT SMART SLIDE

Integrated UltraGrip Technology™

Pre-installed sealing pads are compatible with all composition shingle roofs. The compression achieved when fastened to the roof creates a super strong watertight seal. In most cases, the slide can be mounted to the deck without the need for sealant. A layer of flexible foam provides cushioning, which allows the waterproofing sealant to embed deep into the granules of the shingle as well as to flexibly conform over the steps found on architectural-style shingles.



A layer of flexible foam pushes the sealant deep into the shingle granules and around shingle steps



RockIt Smart Slide can be installed on top of architectural shingles steps

Testing & Documentation

- [UL441 Rain Report](#)
- [TAS 100 \(A\)-95 Wind and Wind Driven Rain Resistance](#)
- [Mechanical Load Test/Structural Capacity Certification](#)
- [Florida Product Approval](#)
- [RockIt Installation Manual](#)
- [RockIt CutSheets](#)



RI SMART SLIDE BLK 6.75"

PART NUMBER	DESCRIPTION
2011024	RI SMART SLIDE BLK 6.75"

ITEM NO.	DESCRIPTION
1	ROCKIT SMART SLIDE ASSEMBLY

1) ROCKIT FLASHLESS SLIDE ASSEMBLY

MATERIAL	DESCRIPTION
	ALUMINUM, EPDM, ADHESIVE, TREATED PAPER
FINISH	BLACK

Rev: CS-3

RI SMART SCREW #12X3" W/BW

PART NUMBER	DESCRIPTION
2011025	RI SMART SCREW #12X3" W/BW

ITEM NO.	DESCRIPTION
1	SELF TAPPING SCREW #12 WITH SEALING WASHER ASSEMBLY

MATERIAL	DESCRIPTION
	STAINLESS STEEL, EPDM RUBBER
FINISH	MILL, BLACK

Rev: CS-2



May 16, 2022

EcoFasten Solar LLC
4141 W Van Buren St, Ste 2
Phoenix, AZ 85009
TEL: (877) 859-3947

Attn.: Eco Fasten Solar LLC - Engineering Department

Re: Report # 2015-05884HG.07.01 – EcoFasten - RockIt System for Gable and Hip Roofs
Subject: Engineering Certification for the State of North Carolina

PZSE, Inc. – Structural Engineers has provided engineering and span tables for the EcoFasten - RockIt System, as presented in PZSE Report # 2015-05884HG.07.01, "Engineering Certification for the EcoFasten - RockIt System for Gable and Hip Roofs". All information, data, and analysis therein are based on, and comply with, the following building codes and typical specifications:

- Building Codes:
1. ASCE/SEI 7-10, 7-16, Minimum Design Loads for Buildings and Other Structures, by American Society of Civil Engineers
 2. 2015 & 2018 International Building Code
 3. 2015 & 2018 International Residential Code
 4. AC428, Acceptance Criteria for Modular Framing Systems Used to Support Photovoltaic (PV) Panels, November 1, 2012 by ICC-ES
 5. Aluminum Design Manual 2015 & 2018, by The Aluminum Association, Inc.
 6. ANSI/AWC NDS-2015 & 2018, National Design Specification for Wood Construction, by the American Wood Council

Design Criteria:

Risk Category II
Seismic Design Category = A - E
Exposure Category = B, C & D
Basic Wind Speed (ultimate) per ASCE 7-16 = 90 mph to 180 mph
Ground Snow Load = 0 to 60 (psf)

This letter certifies that the loading criteria and design basis for the EcoFasten - RockIt System Span Tables are in compliance with the above codes.

If you have any questions on the above, do not hesitate to call.

Prepared by:
PZSE, Inc. – Structural Engineers
Roseville, CA

DIGITALLY SIGNED

