

## GENERAL NOTES

### CODE AND STANDARDS

1. ALL WORK SHALL COMPLY WITH 2017 NATIONAL ELECTRIC CODE (NEC), 2018 NORTH CAROLINA BUILDING CODE (NCBC), 2018 NORTH CAROLINA RESIDENTIAL CODE (NCRC), PLUMBING CODE (NPC), AND ALL STATE AND LOCAL BUILDING, ELECTRICAL, AND PLUMBING CODES.
2. DRAWINGS HAVE BEEN DETAILED ACCORDING TO UL LISTING REQUIREMENTS.

### SITE NOTES / OSHA REGULATION

1. A LADDER SHALL BE IN PLACE FOR INSPECTION IN COMPLIANCE WITH OSHA REGULATIONS.
2. THE PV MODULES ARE CONSIDERED NON-COMBUSTIBLE AND THIS SYSTEM IS A UTILITY INTERACTIVE SYSTEM.
3. THE SOLAR PV INSTALLATION SHALL NOT OBSTRUCT ANY PLUMBING, MECHANICAL, OR BUILDING ROOF VENTS.
4. ROOF COVERINGS SHALL BE DESIGNED, INSTALLED, AND MAINTAINED IN ACCORDANCE WITH THIS CODE AND THE APPROVED MANUFACTURER'S INSTRUCTIONS SUCH THAT THE ROOF COVERING SHALL SERVE TO PROTECT THE BUILDING OR STRUCTURE.

### SOLAR CONTRACTOR

1. MODULE CERTIFICATIONS WILL INCLUDE UL1703, IEC61646, IEC61730.
2. IF APPLICABLE, MODULE GROUNDING LUGS MUST BE INSTALLED AT THE MARKED GROUNDING LUG HOLES PER THE MANUFACTURER'S INSTALLATION REQUIREMENTS.
3. AS INDICATED BY DESIGN, OTHER NRTL LISTED MODULE GROUNDING DEVICES MAY BE USED IN PLACE OF STANDARD GROUNDING LUGS AS SHOWN IN MANUFACTURER DOCUMENTATION AND APPROVED BY THE AHJ.
4. CONDUIT AND WIRE SPECIFICATIONS ARE BASED ON MINIMUM CODE REQUIREMENTS AND ARE NOT MEANT TO LIMIT UP-SIZING AS REQUIRED BY FIELD CONDITIONS.
5. CONDUIT POINT OF PENETRATION FROM EXTERIOR TO INTERIOR TO BE INSTALLED AND SEALED WITH A SUITABLE SEALING COMPOUND.
6. DC WIRING LIMITED TO MODULE FOOTPRINT W/ ENPHASE AC SYSTEM.
7. ENPHASE WIRING SYSTEMS SHALL BE LOCATED AND SECURED UNDER THE ARRAY W/ SUITABLE WIRING CLIPS.
8. MAX DC VOLTAGE CALCULATED USING MANUFACTURER PROVIDED TEMP COEFFICIENT FOR VOC UNLESS NOT AVAILABLE.
9. ALL INVERTERS, MOTOR GENERATORS, PHOTOVOLTAIC MODULES, PHOTOVOLTAIC PANELS, AC PHOTOVOLTAIC MODULES, DC COMBINERS, DC-TO-DC CONVERTERS, SOURCE CIRCUIT COMBINERS, AND CHARGE CONTROLLERS INTENDED FOR USE IN A PHOTOVOLTAIC POWER SYSTEM WILL BE IDENTIFIED AND LISTED FOR THE APPLICATION PER NEC 690.4(B).
10. ALL SIGNAGE TO BE PLACED IN ACCORDANCE WITH LOCAL BUILDING CODE.
11. TERMINALS AND LUGS WILL BE TIGHTENED TO MANUFACTURER TORQUE SPECIFICATIONS (WHEN PROVIDED) IN ACCORDANCE WITH NEC CODE 110.14(D) ON ALL ELECTRICAL CONNECTIONS.

### EQUIPMENT LOCATIONS

1. PROPER ACCESS AND WORKING CLEARANCE AROUND EXISTING AND PROPOSED ELECTRICAL EQUIPMENT WILL BE PROVIDED AS PER SECTION NEC 110.26.
2. EQUIPMENT INSTALLED IN DIRECT SUNLIGHT MUST BE RATED FOR EXPECTED OPERATING TEMPERATURE AS SPECIFIED BY NEC 690.31(A) AND NEC TABLE 310.15(B).
3. ALL EQUIPMENT SHALL BE INSTALLED ACCESSIBLE TO QUALIFIED PERSONNEL ACCORDING TO NEC APPLICABLE CODES.
4. ALL COMPONENTS ARE LISTED FOR THEIR PURPOSE AND RATED FOR OUTDOOR USAGE WHEN APPROPRIATE.

## PROJECT INFORMATION:

**NUMBER OF STORIES:** 2  
**CONDUIT RUN:** Exterior  
**ECOBEE QTY:** 0  
**LIGHT BULB QTY:** 0  
**PV METER:** Not Required

### ROOF TYPE (1) INFORMATION:

**ROOF TYPE:** Comp Shingle  
**FRAMING TYPE:** Rafter  
**SHEATHING TYPE:** OSB  
**ATTACHMENT:** SFM Infinity Switchblade Flashkit  
**RACKING:** Unirac SFM Infinity @ 48" OC Portrait / 64" OC Landscape  
**NUMBER OF ATTACHMENTS:** 86

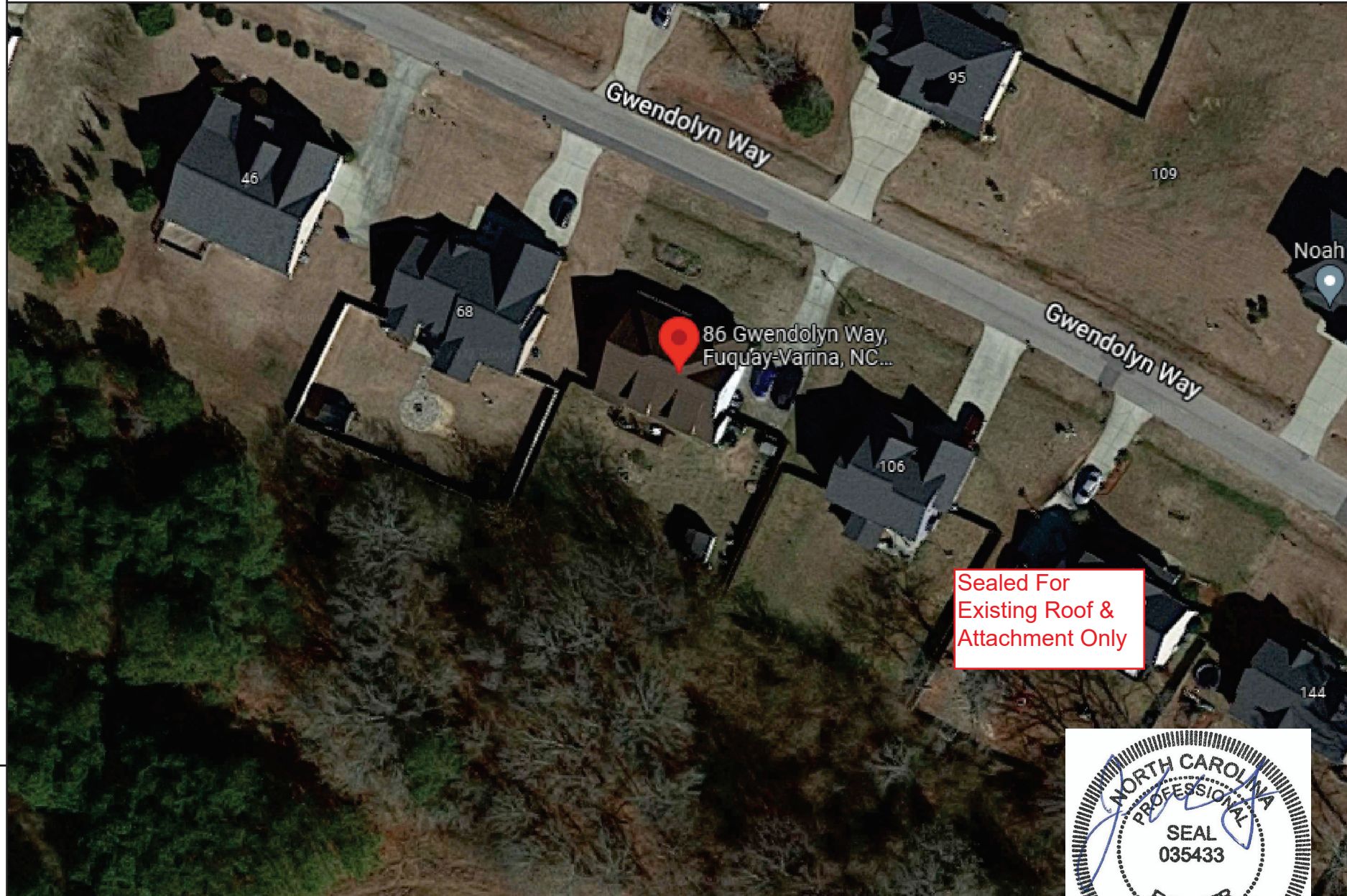
### ROOF TYPE (2) INFORMATION (IF APPLICABLE):

**\*SEE PV4.2**

## SYSTEM TO BE INSTALLED INFORMATION:

**SYSTEM SIZE:** 17.6 kW DC  
**MODULE TYPE:** (44) REC Solar REC400AA Pure  
**INVERTER TYPE:** Enphase IQ7PLUS-72-2-US  
**MONITORING:** Enphase IQ Combiner 3 X-IQ-AM1-240-3

## AERIAL VIEW



### DESIGN CRITERIA

**WIND SPEED:** 117 MPH  
**GROUND SNOW LOAD:** 15 lb/ft<sup>2</sup>  
**WIND EXPOSURE FACTOR:** C  
**SEISMIC DESIGN CATEGORY:** B

### SITE SPECIFICATIONS

CONSTRUCTION - V-B  
 ZONING: RESIDENTIAL

### SCOPE OF WORK

INSTALLATION OF UTILITY INTERACTIVE PHOTOVOLTAIC SOLAR SYSTEM AND ANY NECESSARY ADDITIONAL WORK NEEDED FOR INSTALLATION.

### SHEET INDEX

**PV1 - COVER SHEET**  
**PV2 - SITE PLAN**  
**PV3 - ROOF PLAN**  
**PV4 - STRUCTURAL**  
**PV5 - ELECTRICAL 3-LINE DIAGRAM** 6/9/2022  
**PV6 - ELECTRICAL CALCULATIONS**  
**PV7 - WARNING LABELS AND LOCATIONS** Firm No. : D-0449  
**SS - PRODUCT SPEC. SHEETS**

### UTILITY COMPANY:

Duke Energy NC

### PERMIT ISSUER:

Harnett County

Digitally signed

by John A. Calvert

Date: 2022.06.09

08:42:24 -06'00'



1403 N. Research Way  
 Orem, UT 84097

800.377.4480  
 WWW.BLUERAVENSOLAR.COM

CONFIDENTIAL- THE INFORMATION HEREIN CONTAINED SHALL NOT BE USED FOR THE BENEFIT OF ANYONE EXCEPT BLUE RAVEN SOLAR NOR SHALL IT BE DISCLOSED IN WHOLE OR IN PART TO OTHERS OUTSIDE RECIPIENTS ORGANIZATION, EXCEPT IN CONNECTION WITH THE SALE AND USE OF THE RESPECTIVE EQUIPMENT, WITHOUT THE WRITTEN PERMISSION OF BLUE RAVEN SOLAR LLC.



PV INSTALLATION  
 PROFESSIONAL

Scott Gurney  
 #PV-011719-015866

CONTRACTOR:  
 BRS FIELD OPS  
 800-377-4480

**CUSTOMER INFORMATION:**

Charles Moreton  
 86 Gwendolyn Way  
 Fuquay Varina , North Carolina 27526  
**DC SYSTEM SIZE: 17.6 kW DC**

DRAWING BY:

Jacob Pixton

PLOT DATE:

June 8, 2022

PROJECT NUMBER:

543416

SHEET NAME:

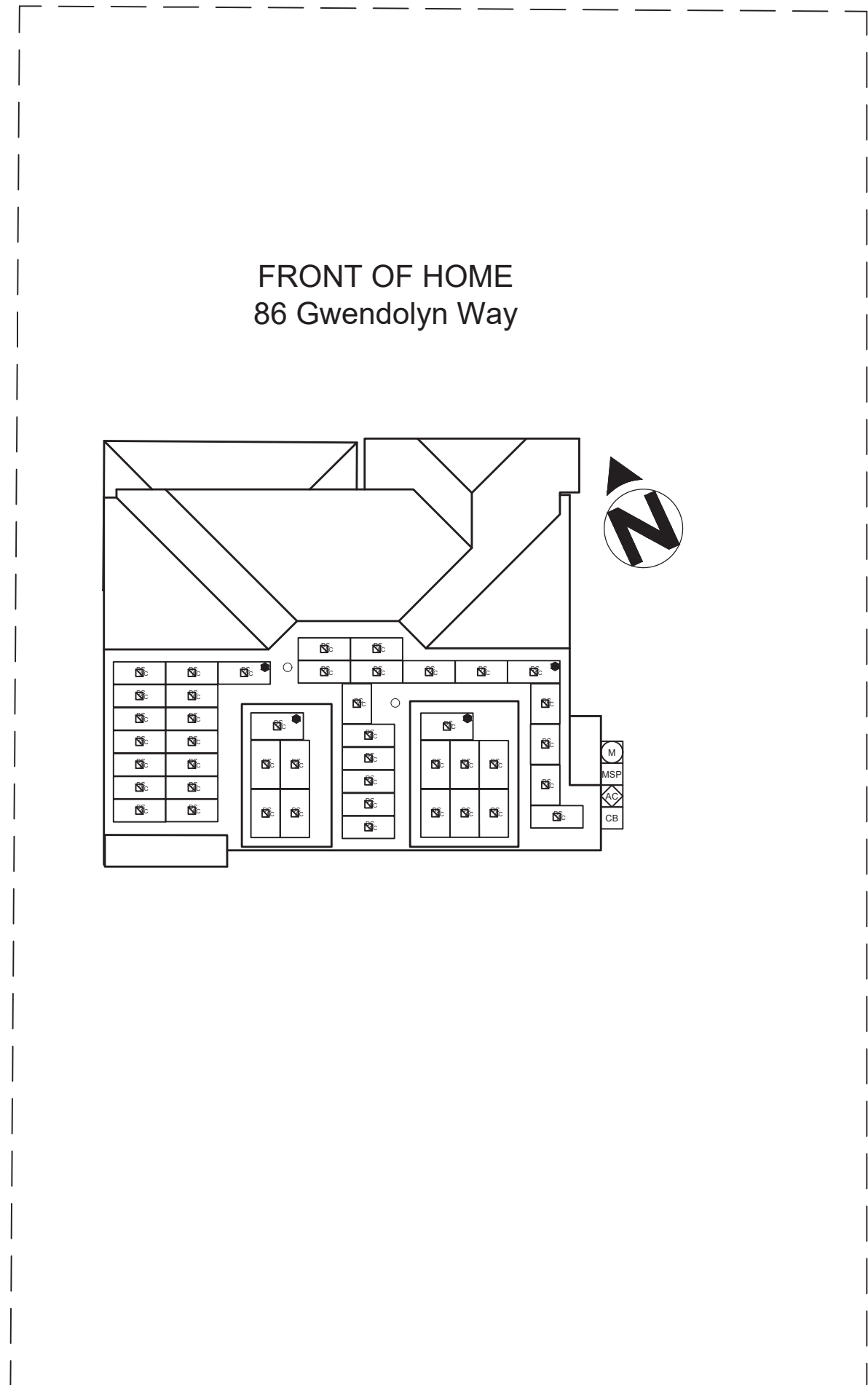
COVER SHEET

REVISION:

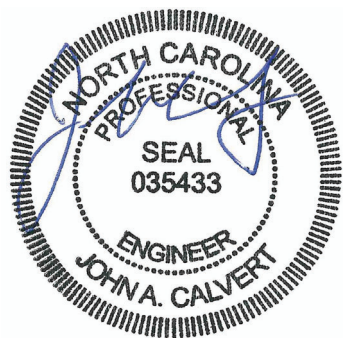
0

PAGE NUMBER:

PV1









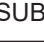



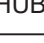




Sealed For  
Existing Roof &  
Attachment Only



6/9/2022

Firm No. : D-0449

## LEGEND

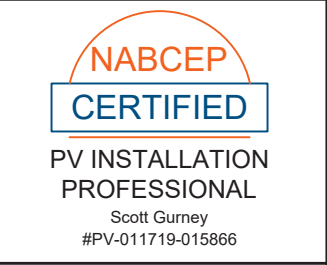
-  JUNCTION BOX
-  UTILITY METER
-  MAIN SERVICE PANEL
-  AC DISCONNECT
-  COMBINER BOX
-  LOAD CENTER
-  SUBPANEL
-  PV METER
-  TRANSFER SWITCH
-  SUNPOWER ESS
-  SUNPOWER HUB+
-  REMOTE POWER OFF
-  FIRE SETBACK
-  TRENCHING
-  PROPERTY LINE

SCALE: 1/16" = 1'-0"



1403 N. Research Way  
Orem, UT 84097  
800.377.4480  
WWW.BLUERAVENSOLAR.COM

CONFIDENTIAL- THE INFORMATION HEREIN CONTAINED SHALL NOT BE USED FOR THE BENEFIT OF ANYONE EXCEPT BLUE RAVEN SOLAR NOR SHALL IT BE DISCLOSED IN WHOLE OR IN PART TO OTHERS OUTSIDE RECIPIENTS ORGANIZATION, EXCEPT IN CONNECTION WITH THE SALE AND USE OF THE RESPECTIVE EQUIPMENT, WITHOUT THE WRITTEN PERMISSION OF BLUE RAVEN SOLAR LLC.



CONTRACTOR:  
BRS FIELD OPS  
800-377-4480

**CUSTOMER INFORMATION:**  
Charles Moreton  
86 Gwendolyn Way  
Fuquay Varina , North Carolina 27526  
**DC SYSTEM SIZE: 17.6 kW DC**

DRAWING BY:  
Jacob Pixton

PLOT DATE:  
June 8, 2022

PROJECT NUMBER:  
543416

SHEET NAME:  
SITE PLAN

REVISION: <b>0</b>	PAGE NUMBER: <b>PV2</b>
-----------------------	----------------------------

CONFIDENTIAL- THE INFORMATION HEREIN SHALL NOT BE USED FOR THE BENEFIT OF ANYONE EXCEPT BLUE RAVEN SOLAR NOR SHALL IT BE DISCLOSED IN WHOLE OR IN PART TO OTHERS OUTSIDE RECIPIENTS ORGANIZATION, EXCEPT IN CONNECTION WITH THE SALE AND USE OF THE RESPECTIVE EQUIPMENT, WITHOUT THE WRITTEN PERMISSION OF BLUE RAVEN SOLAR LLC.



PV INSTALLATION  
PROFESSIONAL

Scott Gurney  
#PV-011719-015866

CONTRACTOR:  
BRS FIELD OPS  
800-377-4480

**CUSTOMER INFORMATION:**

Charles Moreton  
86 Gwendolyn Way  
Fuquay Varina, North Carolina 27526  
**DC SYSTEM SIZE: 17.6 kW DC**

DRAWING BY:

Jacob Pixton

PLOT DATE:

June 8, 2022

PROJECT NUMBER:

543416

SHEET NAME:

ROOF PLAN











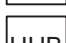

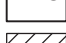


REVISION:

0

PAGE NUMBER:

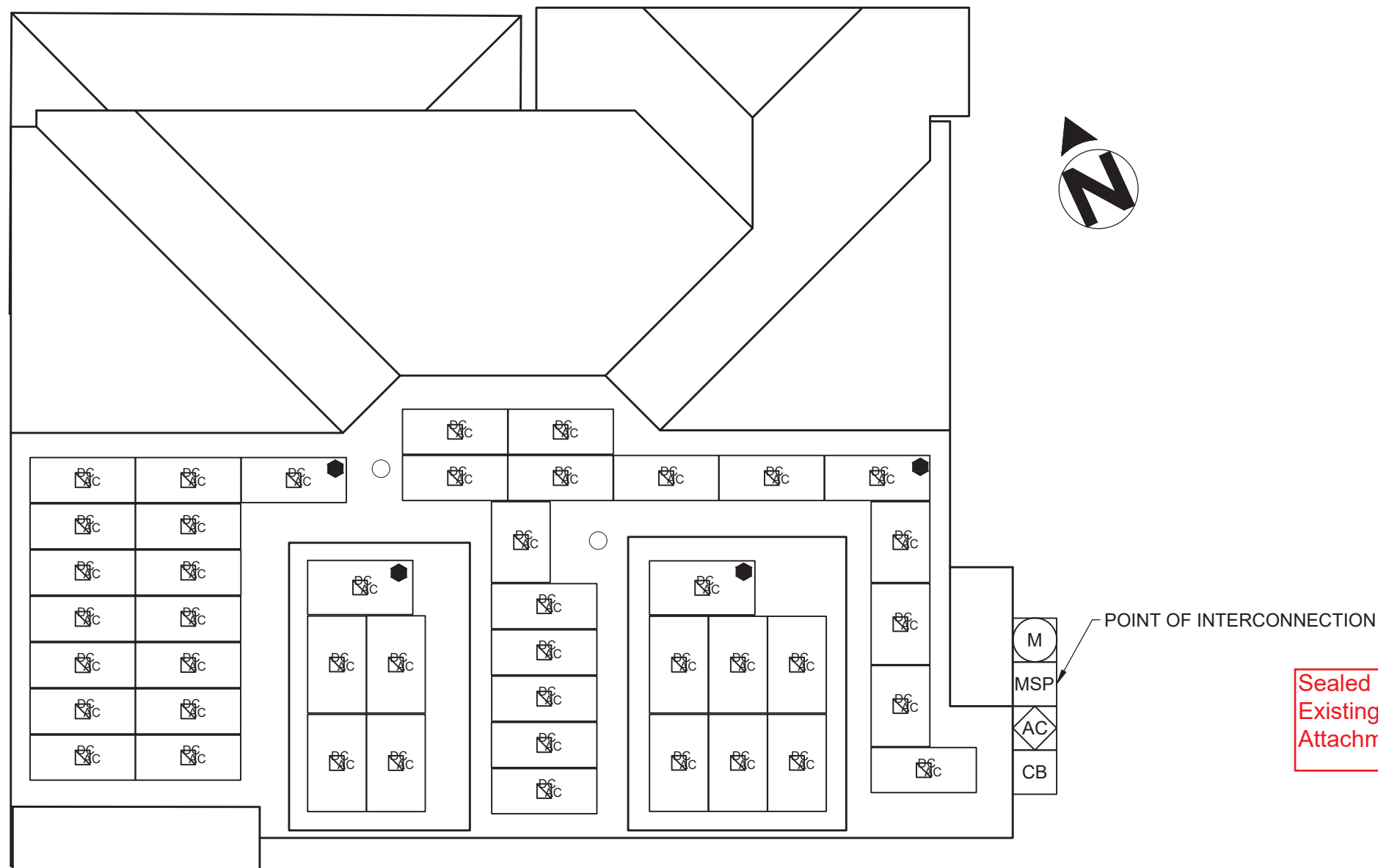
PV3

### LEGEND

-  JUNCTION BOX
-  UTILITY METER
-  MAIN SERVICE PANEL
-  AC DISCONNECT
-  COMBINER BOX
-  LOAD CENTER
-  SUBPANEL
-  PV METER
-  TRANSFER SWITCH
-  SUNPOWER ESS
-  SUNPOWER HUB+
-  REMOTE POWER OFF
-  FIRE SETBACK
-  TRENCHING
-  PROPERTY LINE

SCALE: 1/8" = 1'-0"

### FRONT OF HOME



**MP3**  
# OF MODULES: 32  
AZIMUTH: 205  
PITCH: 39  
TSRF: 88%  
AREA: 1177 ft.<sup>2</sup>

**MP2**  
# OF MODULES: 5  
AZIMUTH: 205  
PITCH: 22  
TSRF: 94%  
AREA: 182 ft.<sup>2</sup>

**MP1**  
# OF MODULES: 7  
AZIMUTH: 205  
PITCH: 23  
TSRF: 94%  
AREA: 224 ft.<sup>2</sup>

DC SYSTEM SIZE: 17.6 kW DC  
MODULE: (REC Solar REC400AA Pure)  
INVERTER(S): Enphase IQ7PLUS-72-2-US

6/9/2022

Firm No. : D-0449



**STRUCTURAL INFORMATION:**

**ROOF TYPE (1):**

**ROOF TYPE:** Comp Shingle  
**SHEATHING TYPE:** OSB  
**FRAMING TYPE:** Rafter  
**FRAMING SIZE:** 2x8 @ 16" OC  
**CEILING JOIST SIZE:** 2x8 @ 16" OC

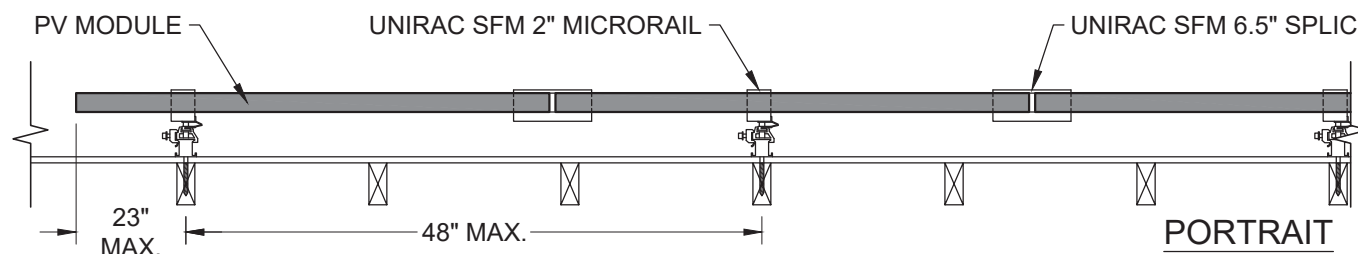
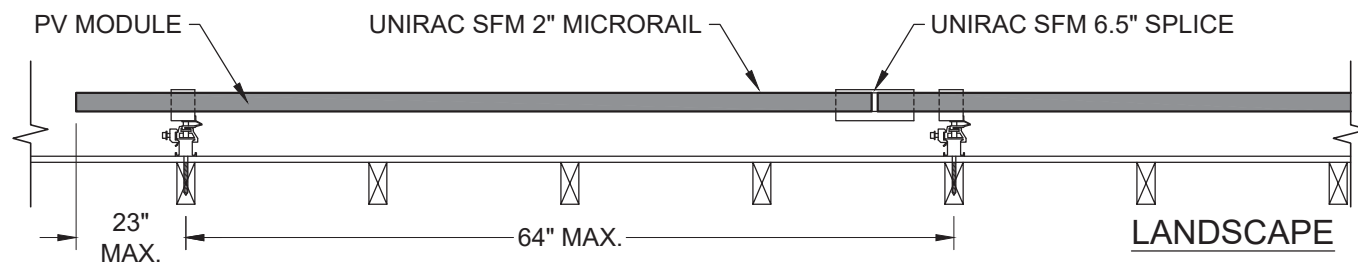
**ATTACHMENT:** SFM Infinity Switchblade Flashkit  
**RACKING:** Unirac SFM Infinity  
 @ 48" OC Portrait / 64" OC Landscape  
**NUMBER OF ATTACHMENTS:** 86

**PV MODULE COUNT:** 44 Modules  
**TOTAL ARRAY AREA:** 770.4 ft<sup>2</sup> (17.51ft<sup>2</sup>/panel)  
**TOTAL ROOF AREA:** 3235 ft<sup>2</sup>  
**ARRAY/ROOF AREA:** 23.8%  
**ARRAY WEIGHT:** 2,200 lbs (50 lbs/panel)  
**DISTRIBUTED LOAD:** 2.86 lbs/ft<sup>2</sup>  
**POINT LOAD:** 25.58 lbs/attachment

**STRUCTURAL NOTES:**

---  
None

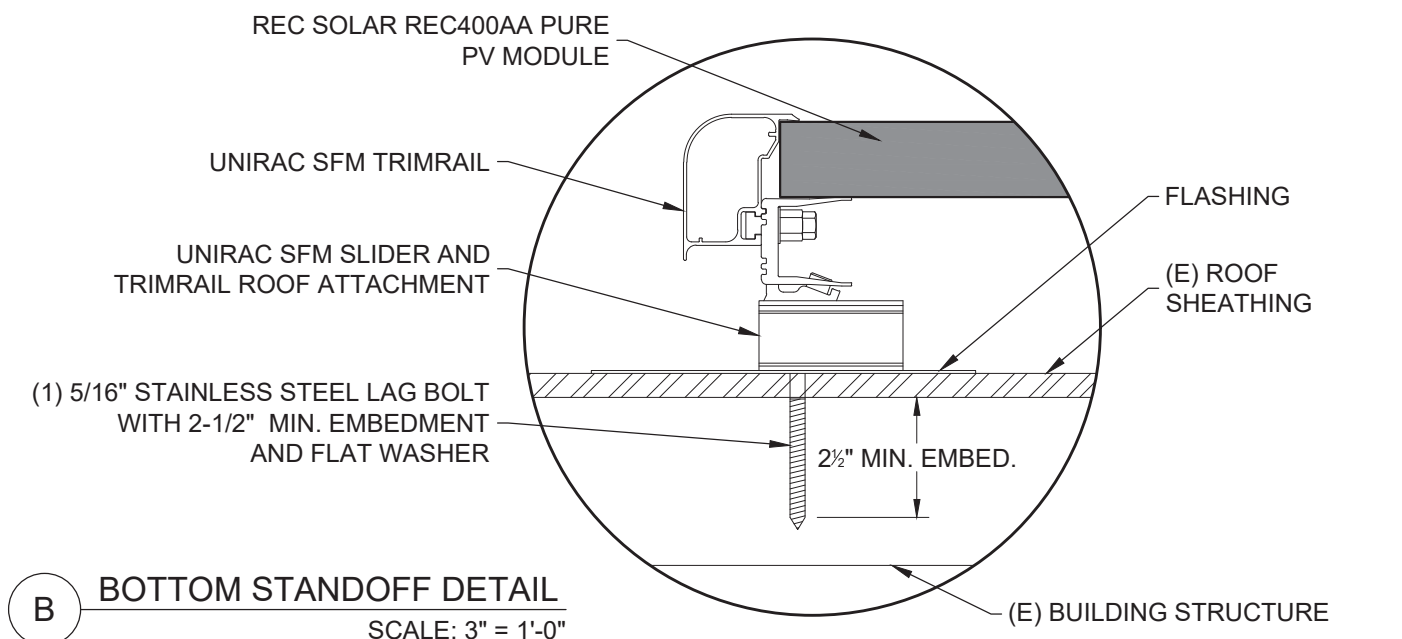
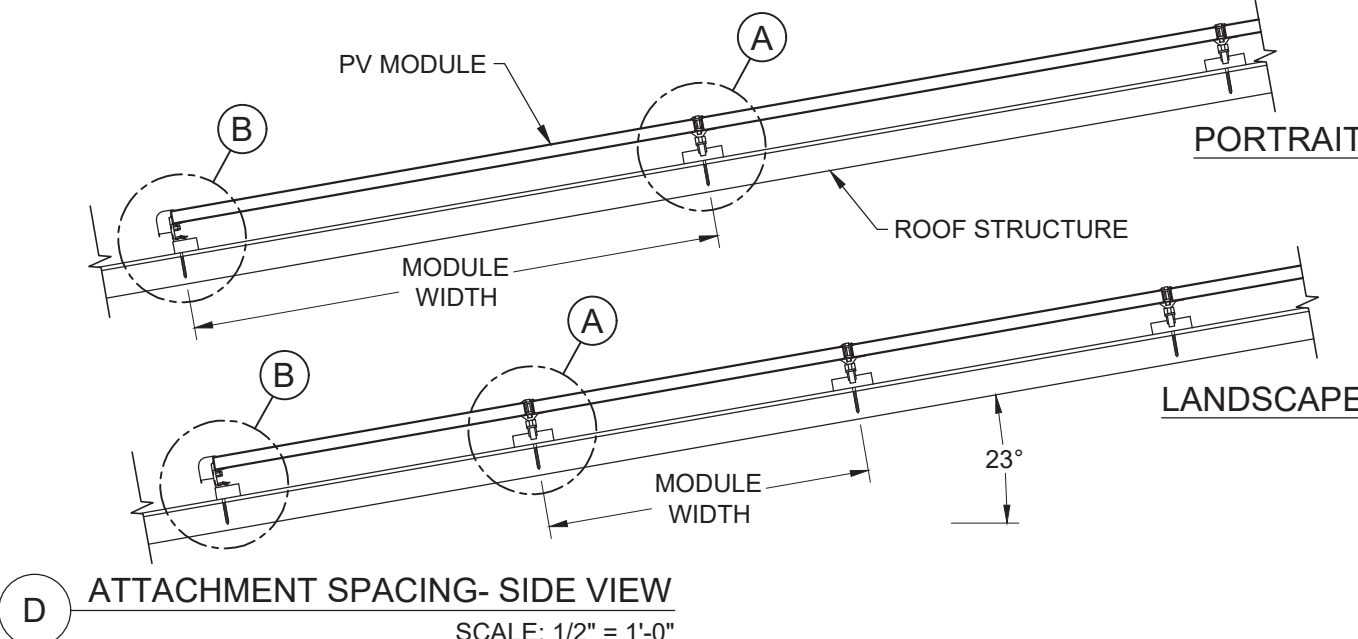
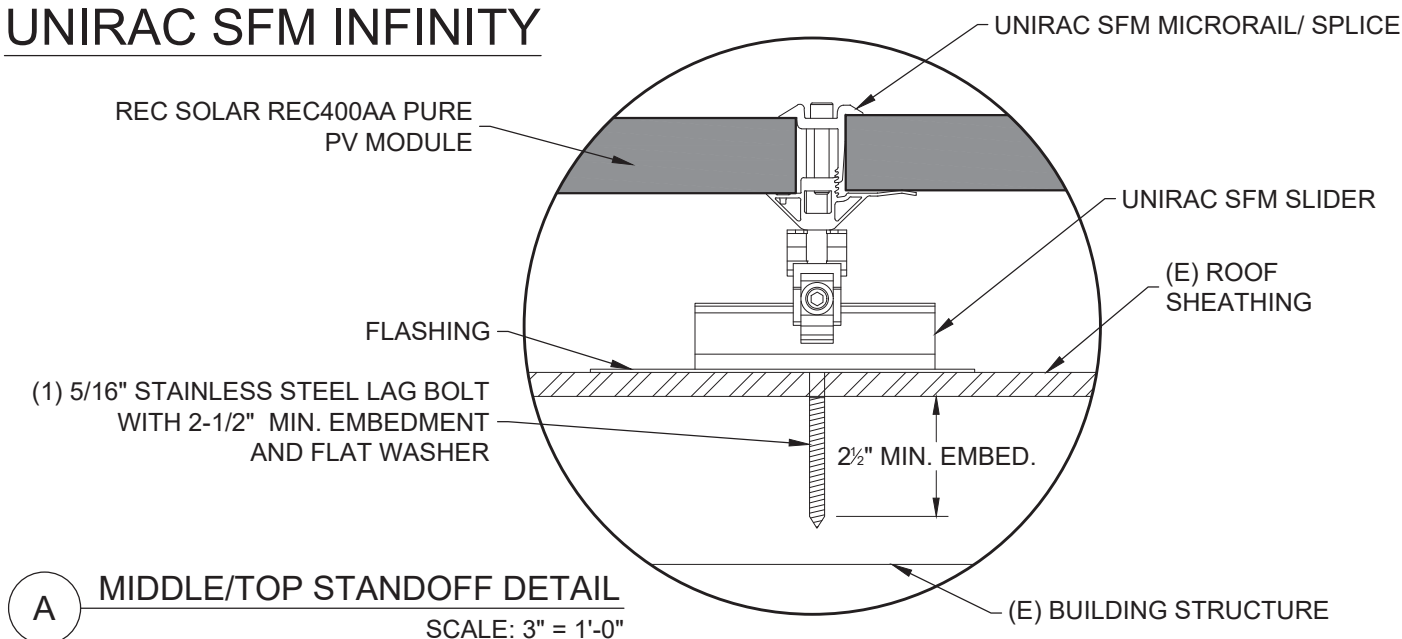
\*NOTE: LISTED NUMBER OF ATTACHMENT POINTS ARE AN ESTIMATE ONLY AND MAY VARY BASED ON FIELD CONDITIONS. MAXIMUM ATTACHMENT SPACING TO BE FOLLOWED PER ENGINEER OF RECORD SPECIFICATIONS.



**C ATTACHMENT SPACING- FRONT VIEW**  
SCALE: 3/4" = 1'-0"

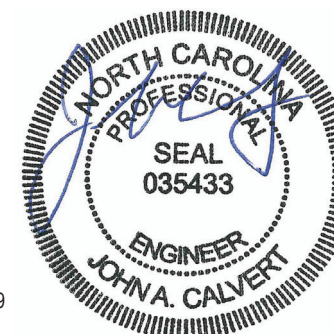
-RACKING ATTACHMENTS TO BE STAGGERED BY SHIFTING EACH SUBSEQUENT ROW OF ATTACHMENTS OVER ONE RAFTER.

**UNIRAC SFM INFINITY**



Sealed For Existing Roof & Attachment Only

Firm No. : D-0449



6/9/2022



1403 N. Research Way  
Orem, UT 84097  
800.377.4480  
WWW.BLUERAVENSOLAR.COM

CONFIDENTIAL- THE INFORMATION HEREIN CONTAINED SHALL NOT BE USED FOR THE BENEFIT OF ANYONE EXCEPT BLUE RAVEN SOLAR NOR SHALL IT BE DISCLOSED IN WHOLE OR IN PART TO OTHERS OUTSIDE RECIPIENTS ORGANIZATION, EXCEPT IN CONNECTION WITH THE SALE AND USE OF THE RESPECTIVE EQUIPMENT, WITHOUT THE WRITTEN PERMISSION OF BLUE RAVEN SOLAR LLC.



PV INSTALLATION PROFESSIONAL  
Scott Gurney  
#PV-011719-015866

CONTRACTOR:  
BRS FIELD OPS  
800-377-4480

**CUSTOMER INFORMATION:**

Charles Moreton  
86 Gwendolyn Way  
Fuquay Varina , North Carolina 27526  
DC SYSTEM SIZE: 17.6 kW DC

DRAWING BY:  
Jacob Pixton

PLOT DATE:  
June 8, 2022

PROJECT NUMBER:  
543416

SHEET NAME:  
STRUCTURAL

REVISION: 0 PAGE NUMBER: PV4

15	(1) 4 AWG THHN/THWN-2, CU., BLACK (L1)	53.2 A AC	3	(4) 10 AWG THHN/THWN-2, CU., BLACK (L1)	MAX 13.3 A AC	2	(1) 10 - 2 UF-B (or NM) W/G, THHN/THWN-2, SO	MAX 13.3 A AC	1	(1) 12-2 TC-ER, THHN/THWN-2, CU.	MAX 13.3 A AC	1	(1) 6 AWG BARE, CU (EGC)	MAX 13.3 A AC
	(1) 4 AWG THHN/THWN-2, CU., RED (L2)	240 V AC		(4) 10 AWG THHN/THWN-2, CU., RED (L2)	240 V AC		(1) 10 - 2 UF-B (or NM) W/G, THHN/THWN-2, SO	240 V AC		(1) 12-2 TC-ER, THHN/THWN-2, CU.	240 V AC			
	(1) 8 AWG THHN/THWN-2, CU., WHITE (N)			(1) 10 AWG THHN/THWN-2, CU., GREEN (EGC)										
	(1) 8 AWG THHN/THWN-2, CU., GREEN (EGC)													
	(1) 1 INCH EMT	EXTERIOR		(1) 3/4 INCH EMT	EXTERIOR			INTERIOR					EXTERIOR	

16	(1) 4 AWG THHN/THWN-2, CU., BLACK (L1)	53.2 A AC
	(1) 4 AWG THHN/THWN-2, CU., RED (L2)	240 V AC
	(1) 4 AWG THHN/THWN-2, CU., WHITE (N)	
	(1) 8 AWG THHN/THWN-2, CU., GREEN (EGC)	
	(1) 1 INCH EMT	EXTERIOR

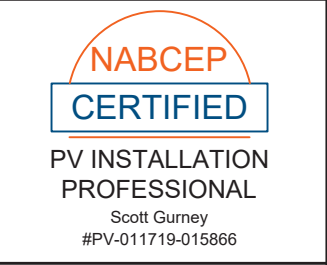
**DESIGNER NOTES:**  
 MPU REQUIRED. Existing electrical service cannot accommodate a PV system of this size in this configuration. Scope of work for upgrade will be as follows:  
 -Install new 200A surface mount meter socket and new separate 200/200 surface mount main distribution panel  
 -Install new grounding electrode system.  
 -Underground service: Ensure service riser is up to code.  
 -Interconnect PV with a Line side tap.  
 -Split meter and main panel into separate enclosures to allow for a line side tap in the new main panel.  
 MPU electrician is responsible for acceptable industry standard workmanship to pass AHJ inspection.

**ELECTRICAL NOTES:**  
 44 INVERTERS x 290 W AC = 12.76 kW AC  
 PANEL WATTAGE = 400 W DC



1403 N. Research Way  
 Orem, UT 84097  
 800.377.4480  
 WWW.BLUERAVENSOLAR.COM

CONFIDENTIAL- THE INFORMATION HEREIN CONTAINED SHALL NOT BE USED FOR THE BENEFIT OF ANYONE EXCEPT BLUE RAVEN SOLAR NOR SHALL IT BE DISCLOSED IN WHOLE OR IN PART TO OTHERS OUTSIDE RECIPIENTS ORGANIZATION, EXCEPT IN CONNECTION WITH THE SALE AND USE OF THE RESPECTIVE EQUIPMENT, WITHOUT THE WRITTEN PERMISSION OF BLUE RAVEN SOLAR LLC.



CONTRACTOR:  
 BRS FIELD OPS  
 800-377-4480

**CUSTOMER INFORMATION:**  
 Charles Moreton  
 86 Gwendolyn Way  
 Fuquay Varina, North Carolina 27526  
**DC SYSTEM SIZE: 17.6 kW DC**

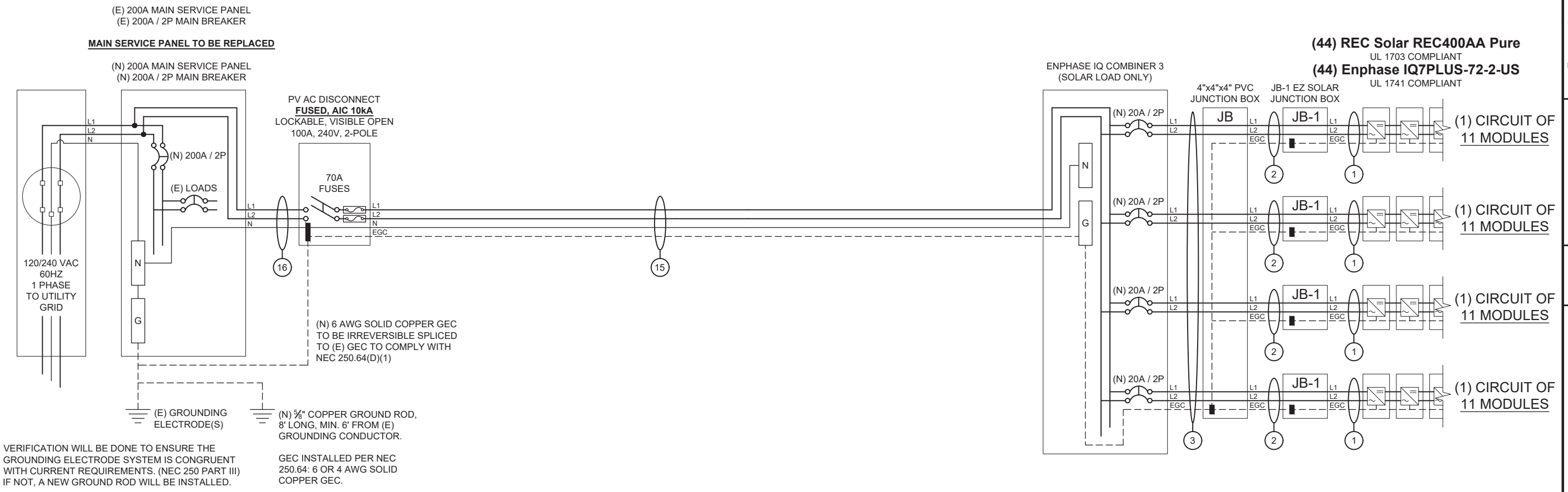
DRAWING BY:  
 Jacob Pixton

PLOT DATE:  
 June 8, 2022

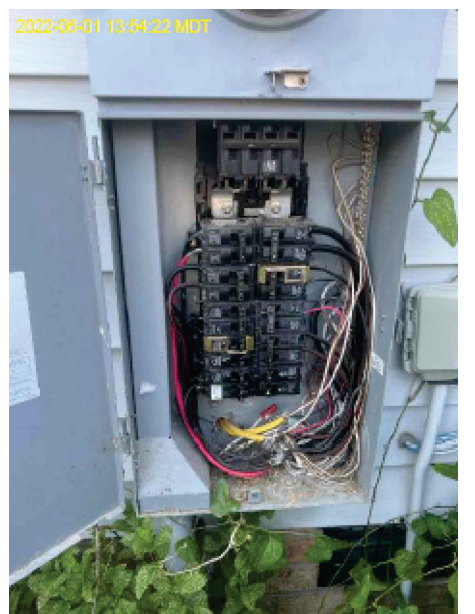
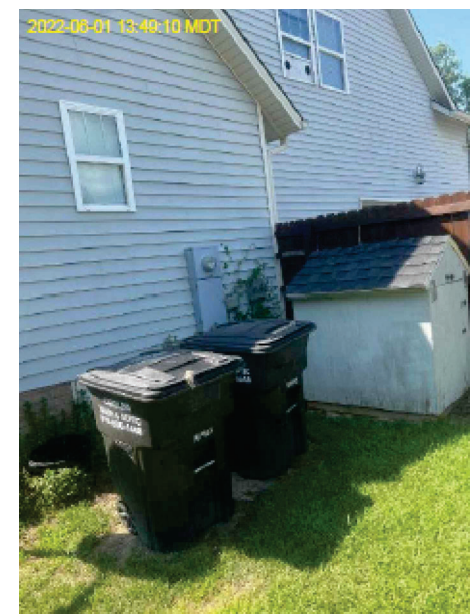
PROJECT NUMBER:  
 543416

SHEET NAME:  
 ELECTRICAL

REVISION: 0 PAGE NUMBER: PV5



**INTERCONNECTION NOTES**  
 705.11 AN ELECTRIC POWER PRODUCTION SOURCE, WHERE CONNECTED TO THE SUPPLY SIDE OF THE SERVICE DISCONNECTING MEANS AS PERMITTED IN 230.82(6), SHALL COMPLY WITH 705.11 (A) THROUGH (E).



UTILITY COMPANY: Duke Energy NC PERMIT ISSUER: Harnett County

MODULE SPECIFICATIONS	REC Solar REC400AA Pure
RATED POWER (STC)	400 W
MODULE VOC	48.8 V DC
MODULE VMP	42.1 V DC
MODULE IMP	9.51 A DC
MODULE ISC	10.25 A DC
VOC CORRECTION	-0.24 %/°C
VMP CORRECTION	-0.26 %/°C
SERIES FUSE RATING	25 A DC
ADJ. MODULE VOC @ ASHRAE LOW TEMP	52.9 V DC
ADJ. MODULE VMP @ ASHRAE 2% AVG. HIGH TEMP	37.5 V DC

MICROINVERTER SPECIFICATIONS	Enphase IQ7+ Microinverters
POWER POINT TRACKING (MPPT) MIN/MAX	22 - 60 V DC
MAXIMUM INPUT VOLTAGE	60 V DC
MAXIMUM DC SHORT CIRCUIT CURRENT	15 A DC
MAXIMUM USABLE DC INPUT POWER	440 W
MAXIMUM OUTPUT CURRENT	1.21 A AC
AC OVERCURRENT PROTECTION	20 A
MAXIMUM OUTPUT POWER	290 W
CEC WEIGHTED EFFICIENCY	97 %

AC PHOTOVOLTAIC MODULE MARKING (NEC 690.52)	
NOMINAL OPERATING AC VOLTAGE	240 V AC
NOMINAL OPERATING AC FREQUENCY	47 - 68 HZ AC
MAXIMUM AC POWER	240 VA AC
MAXIMUM AC CURRENT	1.0 A AC
MAXIMUM OCPD RATING FOR AC MODULE	20 A AC

DESIGN LOCATION AND TEMPERATURES	
TEMPERATURE DATA SOURCE	ASHRAE 2% AVG. HIGH TEMP
STATE	North Carolina
CITY	Fuquay Varina
WEATHER STATION	SEYMOUR-JOHNSON AFB
ASHRAE EXTREME LOW TEMP (°C)	-10
ASHRAE 2% AVG. HIGH TEMP (°C)	35

SYSTEM ELECTRICAL SPECIFICATIONS	CIR 1	CIR 2	CIR 3	CIR 4	CIR 5	CIR 6
NUMBER OF MODULES PER MPPT	11	11	11	11		
DC POWER RATING PER CIRCUIT (STC)	4400	4400	4400	4400		
TOTAL MODULE NUMBER	44 MODULES					
STC RATING OF ARRAY	17600W DC					
AC CURRENT @ MAX POWER POINT (IMP)	13.3	13.3	13.3	13.3		
MAX. CURRENT (IMP X 1.25)	16.6375	16.6375	16.6375	16.6375		
OCPD CURRENT RATING PER CIRCUIT	20	20	20	20		
MAX. COMB. ARRAY AC CURRENT (IMP)	53.2					
MAX. ARRAY AC POWER	12760W AC					

AC VOLTAGE RISE CALCULATIONS	DIST (FT)	COND.	√RISE(V)	VEND(V)	%VRISE
VRISE SEC. 1 (MICRO TO JBOX)	39.6	12 Cu.	1.76	241.76	0.73%
VRISE SEC. 2 (JBOX TO COMBINER BOX)	60	10 Cu.	2.03	242.03	0.85%
VRISE SEC. 3 (COMBINER BOX TO POI)	5	4 Cu.	0.17	240.17	0.07%
TOTAL VRISE			3.96	243.96	

PHOTOVOLTAIC AC DISCONNECT OUTPUT LABEL (NEC 690.54)	
AC OUTPUT CURRENT	53.2 A AC
NOMINAL AC VOLTAGE	240 V AC

CONDUCTOR SIZE CALCULATIONS			
MICROINVERTER TO JUNCTION BOX (1)	MAX. SHORT CIRCUIT CURRENT (ISC) =	13.3 A AC	
	MAX. CURRENT (ISC X1.25) =	16.6 A AC	
	CONDUCTOR (TC-ER, COPPER (90°C)) =	12 AWG	
	CONDUCTOR RATING =	30 A	
	AMB. TEMP. AMP. CORRECTION =	0.96	
	ADJUSTED AMP. =	28.8	> 16.6
JUNCTION BOX TO JUNCTION BOX (2)	MAX. SHORT CIRCUIT CURRENT (ISC) =	13.3 A AC	
	MAX. CURRENT (ISC X1.25) =	16.6 A AC	
	CONDUCTOR (UF-B, COPPER (60°C)) =	10 AWG	
	CONDUCTOR RATING =	30 A	
	CONDUIT FILL DERATE =	1	
	AMB. TEMP. AMP. CORRECTION =	0.96	
	ADJUSTED AMP. =	28.8	> 16.6
JUNCTION BOX TO COMBINER BOX (3)	MAX. SHORT CIRCUIT CURRENT (ISC) =	13.3 A AC	
	MAX. CURRENT (ISC X1.25) =	16.6 A AC	
	CONDUCTOR (THWN-2, COPPER (75°C TERM.)) =	10 AWG	
	CONDUCTOR RATING =	30 A	
	CONDUIT FILL DERATE =	0.7	
	AMB. TEMP. AMP. CORRECTION =	0.96	
	ADJUSTED AMP. =	20.16	> 16.6
COMBINER BOX TO MAIN PV OCPD (15)	INVERTER RATED AMPS =	53.2 A AC	
	MAX. CURRENT (RATED AMPS X1.25) =	66.55 A AC	
	CONDUCTOR (THWN-2, COPPER (75°C TERM.)) =	4 AWG	
	CONDUCTOR RATING =	85 A	
	CONDUIT FILL DERATE =	1	
	AMB. TEMP. AMP. CORRECTION =	0.96	
	ADJUSTED AMP. =	81.6	> 66.6

### GROUNDING NOTES

1. A GROUNDING ELECTRODE SYSTEM IN ACCORDANCE WITH [NEC 690.47] AND [NEC 250.50-60] SHALL BE PROVIDED. PER [NEC 690.47], THE GROUNDING ELECTRODE SYSTEM OF AN EXISTING BUILDING MAY BE USED AND BE BONDED AT THE SERVICE ENTRANCE. IF EXISTING SYSTEM IS INACCESSIBLE, OR INADEQUATE, OR IS ONLY METALLIC WATER PIPING, A SUPPLEMENTAL GROUNDING ELECTRODE WILL BE USED AT THE INVERTER LOCATION CONSISTING OF A UL LISTED 8 FT GROUND ROD WITH ACORN CLAMP.
2. THE GROUNDING ELECTRODE CONDUCTOR SHALL BE PROTECTED FROM PHYSICAL DAMAGE BETWEEN THE GROUNDING ELECTRODE AND THE PANEL (OR INVERTER) IF SMALLER THAN #6 AWG COPPER WIRE PER [NEC 250.64(B)]. THE GROUNDING ELECTRODE CONDUCTOR WILL BE CONTINUOUS, EXCEPT FOR SPLICES OR JOINTS AT BUSBARS WITHIN LISTED EQUIPMENT PER [NEC 250.64(C)].
3. GROUNDING ELECTRODE CONDUCTORS SHALL BE NO LESS THAN 8 AWG AND NO GREATER THAN 6 AWG COPPER AND BONDED TO THE EXISTING GROUNDING ELECTRODE TO PROVIDE FOR A COMPLETE SYSTEM.
4. PV SYSTEM SHALL BE GROUNDED IN ACCORDANCE TO [NEC 250.21], [NEC TABLE 250.122], AND ALL METAL PARTS OR MODULE FRAMES ACCORDING TO [NEC 690.46].
5. MODULE SOURCE CIRCUITS SHALL BE GROUNDED IN ACCORDANCE TO [NEC 690.42].
6. THE GROUNDING CONNECTION TO A MODULE SHALL BE ARRANGED SUCH THAT THE REMOVAL OF A MODULE DOES NOT INTERRUPT A GROUNDED CONDUCTOR TO ANOTHER MODULE.
7. EACH MODULE WILL BE GROUNDED USING THE SUPPLIED CONNECTION POINTS IDENTIFIED IN THE MANUFACTURER'S INSTALLATION INSTRUCTIONS.
8. ENCLOSURES SHALL BE PROPERLY PREPARED WITH REMOVAL OF PAINT/FINISH AS APPROPRIATE WHEN GROUNDING EQUIPMENT WITH TERMINATION GROUNDING LUGS.
9. GROUNDING SYSTEM COMPONENTS SHALL BE LISTED FOR THEIR PURPOSE, AND GROUNDING DEVICES EXPOSED TO THE ELEMENTS SHALL BE RATED FOR DIRECT BURIAL.
10. GROUNDING AND BONDING CONDUCTORS SHALL BE COPPER, SOLID OR STRANDED, AND BARE WHEN EXPOSED.
11. EQUIPMENT GROUNDING CONDUCTORS SHALL BE SIZED ACCORDING TO [NEC 690.45] AND BE A MINIMUM OF 10 AWG WHEN NOT EXPOSED TO DAMAGE (6 AWG SHALL BE USED WHEN EXPOSED TO DAMAGE).
12. GROUNDING AND BONDING CONDUCTORS, IF INSULATED, SHALL BE COLOR CODED GREEN (OR MARKED GREEN IF 4 AWG OR LARGER).
13. ALL CONDUIT BETWEEN THE UTILITY AC DISCONNECT AND THE POINT OF CONNECTION SHALL HAVE GROUNDED BUSHINGS AT BOTH ENDS.
14. SYSTEM GEC SIZED ACCORDING TO [NEC 690.47], [NEC TABLE 250.66], DC SYSTEM GEC SIZED ACCORDING TO [NEC 250.166], MINIMUM 8 AWG WHEN INSULATED, 6 AWG WHEN EXPOSED TO DAMAGE.
15. EXPOSED NON-CURRENT CARRYING METAL PARTS OF MODULE FRAMES, EQUIPMENTS, AND CONDUCTOR ENCLOSURES SHALL BE GROUNDED IN ACCORDANCE WITH [NEC 250.134] OR [NEC 250.136(A)] REGARDLESS OF VOLTAGE.

### WIRING & CONDUIT NOTES

1. ALL CONDUIT SIZES AND TYPES, SHALL BE LISTED FOR ITS PURPOSE AND APPROVED FOR THE SITE APPLICATIONS.
2. BOLTED CONNECTION REQUIRED IN DC DISCONNECTS ON THE WHITE GROUNDED CONDUCTOR (USE POLARIS BLOCK OR NEUTRAL BAR).
3. ANY CONNECTION ABOVE LIVE PARTS MUST BE WATERTIGHT. REDUCING WASHERS DISALLOWED ABOVE LIVE PARTS, MEYERS HUBS RECOMMENDED
4. UV RESISTANT CABLE TIES (NOT ZIP TIES) USED FOR PERMANENT WIRE MANAGEMENT OFF THE ROOF SURFACE IN ACCORDANCE WITH [NEC 110.2, 110.3(A-B)].
5. SOLADECK JUNCTION BOXES MOUNTED FLUSH WITH ROOF SURFACE TO BE USED FOR WIRE MANAGEMENT AND AS FLASHED ROOF PENETRATIONS FOR INTERIOR CONDUIT RUNS.
6. ALL PV CABLES AND HOMERUN WIRES BE TYPE USE-2, AND SINGLE-CONDUCTOR CABLE LISTED AND IDENTIFIED AS PV WIRE, TYPE TC-ER, OR EQUIVALENT; ROUTED TO SOURCE CIRCUIT COMBINER BOXES AS REQUIRED.
7. ALL CONDUCTORS AND OCPD SIZES AND TYPES SPECIFIED ACCORDING TO [NEC 690.8] FOR MULTIPLE CONDUCTORS.
8. ALL PV DC CONDUCTORS IN CONDUIT EXPOSED TO SUNLIGHT SHALL BE INSTALLED AT LEAST 7/8" ABOVE THE ROOF SURFACE AND DERATED ACCORDING TO [NEC TABLE 310.15 (B)(2)(A)], [NEC TABLE 310.15(B)(3)(A)], & [NEC 310.15(B)(3)(C)].
9. EXPOSED ROOF PV DC CONDUCTORS SHALL BE USE-2, 90°C RATED, WET AND UV RESISTANT, AND UL LISTED RATED FOR 600V, UV RATED SPIRAL WRAP SHALL BE USED TO PROTECT WIRE FROM SHARP EDGES.
10. PHASE AND NEUTRAL CONDUCTORS SHALL BE DUAL RATED THHN/THWN-2 INSULATED, 90°C RATED, WET AND UV RESISTANT, RATED FOR 600V
11. 4-WIRE DELTA CONNECTED SYSTEMS HAVE THE PHASE WITH THE HIGHER VOLTAGE TO GROUND MARKED ORANGE OR IDENTIFIED BY OTHER EFFECTIVE MEANS.
12. ALL SOURCE CIRCUITS SHALL HAVE INDIVIDUAL SOURCE CIRCUIT PROTECTION
13. VOLTAGE DROP LIMITED TO 2% FOR DC CIRCUITS AND 3% FOR AC CIRCUITS
14. NEGATIVE GROUNDED SYSTEMS DC CONDUCTORS SHALL BE COLOR CODED AS FOLLOWS: DC POSITIVE- RED (OR MARKED RED), DC NEGATIVE- GREY (OR MARKED GREY)
15. POSITIVE GROUNDED SYSTEMS DC CONDUCTORS COLOR CODED: DC POSITIVE- GREY (OR MARKED GREY), DC NEGATIVE- BLACK (OR MARKED BLACK)
16. AC CONDUCTORS >4AWG COLOR CODED OR MARKED: PHASE A OR L1- BLACK, PHASE B OR L2- RED, PHASE C OR L3- BLUE, NEUTRAL- WHITE/GRAY
- \* USE-2 IS NOT INDOOR RATED BUT PV CABLE IS RATED THWN/THWN-2 AND MAY BE USED INSIDE
- \*\* USE-2 IS AVAILABLE AS UV WHITE
17. RIGID CONDUIT, IF INSTALLED, (AND/OR NIPPLES) MUST HAVE A PULL BUSHING TO PROTECT WIRES.
18. IF CONDUIT DETERMINED TO BE RAN THROUGH ATTIC IN FIELD THEN CONDUIT WILL BE EITHER EMT, FMC, OR MC CABLE IF DC CURRENT COMPLYING WITH [NEC 690.31], [NEC 250.118(10)]. DISCONNECTING MEANS SHALL COMPLY WITH [NEC 690.13] AND [NEC 690.15].
19. CONDUIT RAN THROUGH ATTIC WILL BE AT LEAST 18" BELOW ROOF SURFACE COMPLYING WITH [NEC 230.6(4)] AND SECURED NO GREATER THAN 6' APART PER [NEC 330.30(B)].



1403 N. Research Way  
Orem, UT 84097  
800.377.4480  
WWW.BLUERAVENSOLAR.COM

CONFIDENTIAL- THE INFORMATION HEREIN CONTAINED SHALL NOT BE USED FOR THE BENEFIT OF ANYONE EXCEPT BLUE RAVEN SOLAR NOR SHALL IT BE DISCLOSED IN WHOLE OR IN PART TO OTHERS OUTSIDE RECIPIENTS ORGANIZATION, EXCEPT IN CONNECTION WITH THE SALE AND USE OF THE RESPECTIVE EQUIPMENT, WITHOUT THE WRITTEN PERMISSION OF BLUE RAVEN SOLAR LLC.



CONTRACTOR:  
BRS FIELD OPS  
800-377-4480

**CUSTOMER INFORMATION:**  
Charles Moreton  
86 Gwendolyn Way  
Fuquay Varina, North Carolina 27526  
**DC SYSTEM SIZE: 17.6 kW DC**

DRAWING BY:  
Jacob Pixton

PLOT DATE:  
June 8, 2022

PROJECT NUMBER:  
543416

SHEET NAME:  
ELEC CALCS

REVISION: 0 PAGE NUMBER: PV6

# STANDARD LABELS

**WARNING**  
ELECTRIC SHOCK HAZARD  
TERMINALS ON THE LINE AND LOAD SIDES MAY BE ENERGIZED IN THE OPEN POSITION

**LABEL 1**  
FOR PV SYSTEM DISCONNECTING MEANS WHERE THE LINE AND LOAD TERMINALS MAY BE ENERGIZED IN THE OPEN POSITION. [NEC 690.13(B)]

**PHOTOVOLTAIC SYSTEM AC DISCONNECT**  
RATED AC OUTPUT CURRENT 53.24 A  
NOMINAL OPERATING AC VOLTAGE 240 V

**LABEL 2**  
SHALL BE MARKED AT AN ACCESSIBLE LOCATION AT THE DISCONNECTING MEANS AS A POWER SOURCE AND WITH THE RATED AC OUTPUT CURRENT AND THE NOMINAL OPERATING AC VOLTAGE. [NEC 690.54]

**WARNING**  
DUAL POWER SUPPLY  
SOURCES: UTILITY GRID AND PV SOLAR ELECTRIC SYSTEM

**LABEL 3**  
IF INTERCONNECTING LOAD SIDE, INSTALL THIS LABEL ANYWHERE THAT IS POWERED BY BOTH THE UTILITY AND THE SOLAR PV SYSTEM, IE. MAIN SERVICE PANEL AND SUBPANELS. [NEC 705.12(B)(3)]

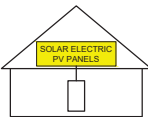
**WARNING**  
POWER SOURCE OUTPUT CONNECTION  
DO NOT RELOCATE THIS OVERCURRENT DEVICE

**LABEL 4**  
APPLY TO THE DISTRIBUTION EQUIPMENT ADJACENT TO THE BACK-FED BREAKER FROM THE POWER SOURCE. [NEC 705.12(B)(2)]

**WARNING**  
THIS EQUIPMENT FED BY MULTIPLE SOURCES. TOTAL RATING OF ALL OVERCURRENT DEVICES, EXCLUDING MAIN SUPPLY OVERCURRENT DEVICE, SHALL NOT EXCEED AMPACITY OF BUSBAR.

**LABEL 5**  
APPLY TO THE PV COMBINER BOX [NEC 705.12 (3)(3)]

**SOLAR PV SYSTEM EQUIPPED WITH RAPID SHUTDOWN**  
TURN RAPID SHUTDOWN SWITCH TO THE "OFF" POSITION TO SHUT DOWN PV SYSTEM AND REDUCE SHOCK HAZARD IN THE ARRAY



**LABEL 6**  
BUILDINGS WITH PV SYSTEMS SHALL HAVE A PERMANENT LABEL LOCATED AT EACH SERVICE EQUIPMENT LOCATION TO WHICH THE PV SYSTEMS ARE CONNECTED OR AT AN APPROVED READILY VISIBLE LOCATION AND SHALL INDICATE THE LOCATION OF RAPID SHUTDOWN INITIATION DEVICES. [NEC 690.56(C)]

**RAPID SHUTDOWN SWITCH FOR SOLAR PV SYSTEM**

**LABEL 7**  
SIGN LOCATED AT RAPID SHUT DOWN DISCONNECT SWITCH [NEC 690.56(C)(2)]

## LABELING NOTES

- 1) LABELS CALLED OUT ACCORDING TO ALL COMMON CONFIGURATIONS. ELECTRICIAN TO DETERMINE EXACT REQUIREMENTS IN THE FIELD PER CURRENT NEC AND LOCAL CODES AND MAKE APPROPRIATE ADJUSTMENTS.
- 2) LABELING REQUIREMENTS BASED ON THE 2017 & 2020 NEC CODE, OSHA STANDARD 19010.145, ANSIZ535.
- 3) MATERIAL BASED ON THE REQUIREMENTS OF THE AHJ.
- 4) LABELS TO BE OF SUFFICIENT DURABILITY TO WITHSTAND THE ENVIRONMENT INVOLVED AND SHALL NOT BE HANDWRITTEN [NEC 110.21]

# ADDITIONAL LABELS

**WARNING**  
MAIN DISTRIBUTION UTILITY DISCONNECT(S)  
POWER TO THIS BUILDING IS ALSO SUPPLIED FROM A ROOF MOUNTED SOLAR ARRAY WITH A RAPID SHUTDOWN DISCONNECTING MEANS GROUPED AND LABELED WITHIN LINE OF SIGHT AND 10 FT OF THIS LOCATION

**LABEL 8**  
PERMANENT PLAQUE OR DIRECTORY DENOTING THE LOCATION OF ALL ELECTRIC POWER SOURCE DISCONNECTING MEANS ON OR IN THE PREMISES SHALL BE INSTALLED AT EACH SERVICE EQUIPMENT LOCATION AND AT THE LOCATION(S) OF THE SYSTEM DISCONNECT(S) FOR ALL ELECTRIC POWER PRODUCTION SOURCES CAPABLE OF BEING INTERCONNECTED. [2017 NEC 705.10]

**WARNING**  
POWER TO THIS BUILDING IS ALSO SUPPLIED FROM MAIN DISTRIBUTION UTILITY DISCONNECT LOCATED

**LABEL 9**  
PERMANENT PLAQUE OR DIRECTORY DENOTING THE LOCATION OF ALL ELECTRIC POWER SOURCE DISCONNECTING MEANS ON OR IN THE PREMISES SHALL BE INSTALLED AT EACH SERVICE EQUIPMENT LOCATION AND AT THE LOCATION(S) OF THE SYSTEM DISCONNECT(S) FOR ALL ELECTRIC POWER PRODUCTION SOURCES CAPABLE OF BEING INTERCONNECTED. [2017 NEC 705.10]

**WARNING**  
POWER TO THIS BUILDING IS ALSO SUPPLIED FROM A ROOF MOUNTED SOLAR ARRAY. SOLAR ARRAY RAPID SHUTDOWN DISCONNECT IS LOCATED OUTSIDE NEXT TO THE UTILITY METER.

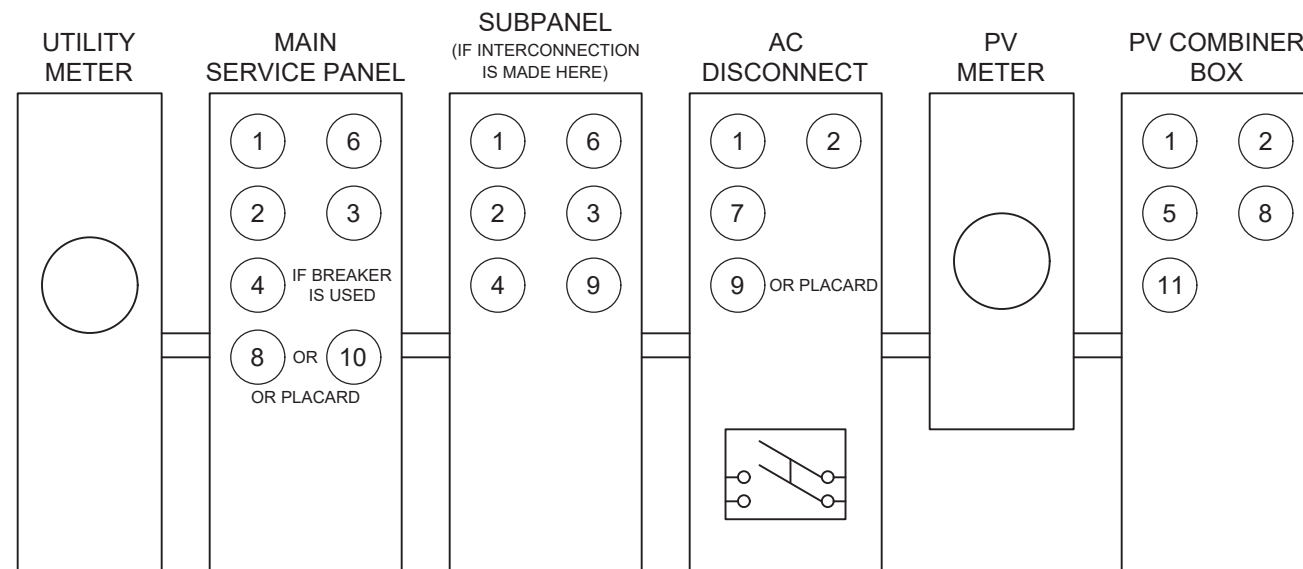
**LABEL 10**  
PERMANENT PLAQUE OR DIRECTORY TO BE LOCATED AT MAIN SERVICE EQUIPMENT DENOTING THE LOCATION OF THE RAPID SHUTDOWN SYSTEM DISCONNECTING MEANS IF SOLAR ARRAY RAPID SHUTDOWN DISCONNECTING SWITCH IS NOT GROUPED AND WITHIN LINE OF SITE OF MAIN SERVICE DISCONNECTING MEANS. [2017 NEC 705.10 AND 690.56(C)(1)]

**WARNING**  
PHOTOVOLTAIC SYSTEM COMBINER PANEL  
DO NOT ADD LOADS

**LABEL 11**  
PERMANENT PLAQUE OR DIRECTORY TO BE LOCATED AT AC COMBINER PANEL. [NEC 110.21(B)]

**WARNING: PHOTOVOLTAIC POWER SOURCE**

**LABEL 12**  
AT EXPOSED RACEWAYS, CABLE TRAYS, COVERS AND ENCLOSURES OF JUNCTION BOXES, AND OTHER WIRING METHODS. [NEC 690.31(G)(3&4)]



\*ELECTRICAL DIAGRAM SHOWN ABOVE IS FOR LABELING PURPOSES ONLY. NOT AN ACTUAL REPRESENTATION OF EQUIPMENT AND CONNECTIONS TO BE INSTALLED. LABEL LOCATIONS PRESENTED MAY VARY DEPENDING ON TYPE OF INTERCONNECTION METHOD AND LOCATION PRESENTED ON 3 LINE DIAGRAM. 3 LINE DIAGRAM ON PV5 TO REFLECT ACTUAL REPRESENTATION OF PROPOSED SCOPE OF WORK.



1403 N. Research Way  
Orem, UT 84097  
800.377.4480  
WWW.BLUERAVENSOLAR.COM

CONFIDENTIAL- THE INFORMATION HEREIN CONTAINED SHALL NOT BE USED FOR THE BENEFIT OF ANYONE EXCEPT BLUE RAVEN SOLAR NOR SHALL IT BE DISCLOSED IN WHOLE OR IN PART TO OTHERS OUTSIDE RECIPIENTS ORGANIZATION, EXCEPT IN CONNECTION WITH THE SALE AND USE OF THE RESPECTIVE EQUIPMENT, WITHOUT THE WRITTEN PERMISSION OF BLUE RAVEN SOLAR LLC.

**NABCEP CERTIFIED**  
PV INSTALLATION PROFESSIONAL  
Scott Gurney  
#PV-011719-015866

CONTRACTOR:  
BRS FIELD OPS  
800-377-4480

**CUSTOMER INFORMATION:**  
Charles Moreton  
86 Gwendolyn Way  
Fuquay Varina, North Carolina 27526  
DC SYSTEM SIZE: 17.6 kW DC

DRAWING BY:  
Jacob Pixton

PLOT DATE:  
June 8, 2022

PROJECT NUMBER:  
543416

SHEET NAME:  
LABELS

REVISION: 0  
PAGE NUMBER: PV7

# Enphase IQ 7 and IQ 7+ Microinverters

The high-powered smart grid-ready **Enphase IQ 7 Micro™** and **Enphase IQ 7+ Micro™** dramatically simplify the installation process while achieving the highest system efficiency.

Part of the Enphase IQ System, the IQ 7 and IQ 7+ Microinverters integrate with the Enphase IQ Envoy™, Enphase IQ Battery™, and the Enphase Enlighten™ monitoring and analysis software.

IQ Series Microinverters extend the reliability standards set forth by previous generations and undergo over a million hours of power-on testing, enabling Enphase to provide an industry-leading warranty of up to 25 years.

### Easy to Install

- Lightweight and simple
- Faster installation with improved, lighter two-wire cabling
- Built-in rapid shutdown compliant (NEC 2014 & 2017)

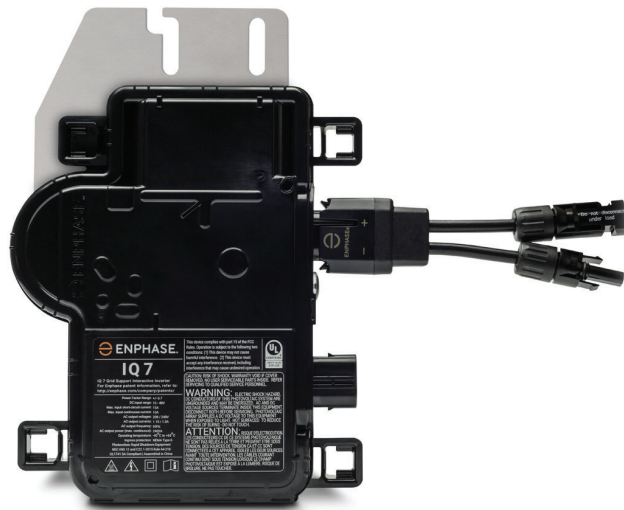
### Productive and Reliable

- Optimized for high powered 60-cell/120 half-cell and 72-cell/144 half-cell\* modules
- More than a million hours of testing
- Class II double-insulated enclosure
- UL listed

### Smart Grid Ready

- Complies with advanced grid support, voltage and frequency ride-through requirements
- Remotely updates to respond to changing grid requirements
- Configurable for varying grid profiles
- Meets CA Rule 21 (UL 1741-SA)

\* The IQ 7+ Micro is required to support 72-cell/144 half-cell modules.



## Enphase IQ 7 and IQ 7+ Microinverters

INPUT DATA (DC)	IQ7-60-2-US		IQ7PLUS-72-2-US	
Commonly used module pairings <sup>1</sup>	235 W - 350 W +		235 W - 440 W +	
Module compatibility	60-cell/120 half-cell PV modules only		60-cell/120 half-cell and 72-cell/144 half-cell PV modules	
Maximum input DC voltage	48 V		60 V	
Peak power tracking voltage	27 V - 37 V		27 V - 45 V	
Operating range	16 V - 48 V		16 V - 60 V	
Min/Max start voltage	22 V / 48 V		22 V / 60 V	
Max DC short circuit current (module Isc)	15 A		15 A	
Overvoltage class DC port	II		II	
DC port backfeed current	0 A		0 A	
PV array configuration	1 x 1 ungrounded array; No additional DC side protection required; AC side protection requires max 20 A per branch circuit			
OUTPUT DATA (AC)	IQ 7 Microinverter		IQ 7+ Microinverter	
Peak output power	250 VA		295 VA	
Maximum continuous output power	240 VA		290 VA	
Nominal (L-L) voltage/range <sup>2</sup>	240 V / 211-264 V	208 V / 183-229 V	240 V / 211-264 V	208 V / 183-229 V
Maximum continuous output current	1.0 A (240 V)	1.15 A (208 V)	1.21 A (240 V)	1.39 A (208 V)
Nominal frequency	60 Hz		60 Hz	
Extended frequency range	47 - 68 Hz		47 - 68 Hz	
AC short circuit fault current over 3 cycles	5.8 Arms		5.8 Arms	
Maximum units per 20 A (L-L) branch circuit <sup>3</sup>	16 (240 VAC)	13 (208 VAC)	13 (240 VAC)	11 (208 VAC)
Overvoltage class AC port	III		III	
AC port backfeed current	18 mA		18 mA	
Power factor setting	1.0		1.0	
Power factor (adjustable)	0.85 leading ... 0.85 lagging		0.85 leading ... 0.85 lagging	
EFFICIENCY	@240 V		@208 V	
Peak efficiency	97.6 %		97.6 %	
CEC weighted efficiency	97.0 %		97.0 %	
MECHANICAL DATA				
Ambient temperature range	-40°C to +65°C			
Relative humidity range	4% to 100% (condensing)			
Connector type	MC4 (or Amphenol H4 UTX with additional Q-DCC-5 adapter)			
Dimensions (HxWxD)	212 mm x 175 mm x 30.2 mm (without bracket)			
Weight	1.08 kg (2.38 lbs)			
Cooling	Natural convection - No fans			
Approved for wet locations	Yes			
Pollution degree	PD3			
Enclosure	Class II double-insulated, corrosion resistant polymeric enclosure			
Environmental category / UV exposure rating	NEMA Type 6 / outdoor			
FEATURES				
Communication	Power Line Communication (PLC)			
Monitoring	Enlighten Manager and MyEnlighten monitoring options. Both options require installation of an Enphase IQ Envoy.			
Disconnecting means	The AC and DC connectors have been evaluated and approved by UL for use as the load-break disconnect required by NEC 690.			
Compliance	CA Rule 21 (UL 1741-SA) UL 62109-1, UL1741/IEEE1547, FCC Part 15 Class B, ICES-0003 Class B, CAN/CSA-C22.2 NO. 107.1-01 This product is UL Listed as PV Rapid Shut Down Equipment and conforms with NEC 2014, NEC 2017, and NEC 2020 section 690.12 and C22.1-2015 Rule 64-218 Rapid Shutdown of PV Systems, for AC and DC conductors, when installed according manufacturer's instructions.			

1. No enforced DC/AC ratio. See the compatibility calculator at <https://enphase.com/en-us/support/module-compatibility>.  
 2. Nominal voltage range can be extended beyond nominal if required by the utility.  
 3. Limits may vary. Refer to local requirements to define the number of microinverters per branch in your area.



1403 N RESEARCH WAY, BUILDING J  
 OREM, UT 84097  
 800-377-4480  
 WWW.BLUERAVENSOLAR.COM

CONFIDENTIAL - THE INFORMATION HEREIN CONTAINED SHALL NOT BE USED FOR THE BENEFIT OF ANYONE EXCEPT BLUE RAVEN SOLAR NOR SHALL IT BE DISCLOSED IN WHOLE OR IN PART TO OTHERS OUTSIDE RECIPIENTS ORGANIZATION, EXCEPT IN CONNECTION WITH THE SALE AND USE OF THE RESPECTIVE EQUIPMENT, WITHOUT THE WRITTEN PERMISSION OF BLUE RAVEN SOLAR LLC.



CONTRACTOR:  
 BRS FIELD OPS  
 385.498.6700



To learn more about Enphase offerings, visit [enphase.com](https://enphase.com)

**ENPHASE** To learn more about Enphase offerings, visit [enphase.com](https://enphase.com)



© 2020 Enphase Energy. All rights reserved. Enphase, the Enphase logo, Enphase IQ 7, Enphase IQ 7+, Enphase IQ Battery, Enphase Enlighten, Enphase IQ Envoy, and other trademarks or service names are the trademarks of Enphase Energy, Inc. Data subject to change. 2020-08-12

SHEET NAME

**SPEC SHEET**

PAGE NUMBER

SS

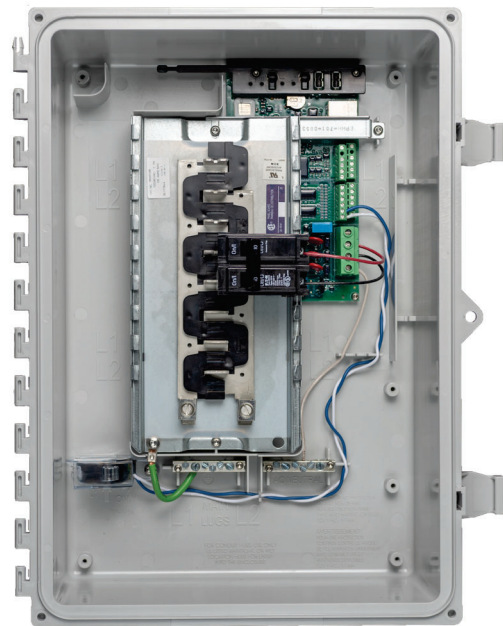
REVISION

0



# Enphase IQ Combiner 3 (X-IQ-AM1-240-3)

The **Enphase IQ Combiner 3™** with Enphase IQ Envoy™ consolidates interconnection equipment into a single enclosure and streamlines PV and storage installations by providing a consistent, pre-wired solution for residential applications. It offers up to four 2-pole input circuits and Eaton BR series busbar assembly.



### Smart

- Includes IQ Envoy for communication and control
- Flexible networking supports Wi-Fi, Ethernet, or cellular
- Optional AC receptacle available for PLC bridge
- Provides production metering and optional consumption monitoring

### Simple

- Reduced size from previous combiner
- Centered mounting brackets support single stud mounting
- Supports back and side conduit entry
- Up to four 2-pole branch circuits for 240 VAC plug-in breakers (not included)
- 80 A total PV or storage branch circuits

### Reliable

- Durable NRTL-certified NEMA type 3R enclosure
- Five-year limited warranty
- UL listed

## Enphase IQ Combiner 3

MODEL NUMBER	
IQ Combiner 3 X-IQ-AM1-240-3	IQ Combiner 3 with Enphase IQ Envoy™ printed circuit board for integrated revenue grade PV production metering (ANSI C12.20 +/- 0.5%) and optional* consumption monitoring (+/- 2.5%).
ACCESSORIES and REPLACEMENT PARTS (not included, order separately)	
Enphase Mobile Connect™ CELLMODEM-03 (4G/12-year data plan) CELLMODEM-01 (3G/5-year data plan) CELLMODEM-M1 (4G based LTE-M/5-year data plan)	Plug and play industrial grade cellular modem with data plan for systems up to 60 microinverters. (Available in the US, Canada, Mexico, Puerto Rico, and the US Virgin Islands, where there is adequate cellular service in the installation area.)
Consumption Monitoring* CT CT-200-SPLIT	Split core current transformers enable whole home consumption metering (+/- 2.5%).
* Consumption monitoring is required for Enphase Storage Systems	
Wireless USB adapter COMMS-KIT-01	Installed at the IQ Envoy. For communications with Enphase Encharge™ storage and Enphase Enpower™ smart switch. Includes USB cable for connection to IQ Envoy or Enphase IQ Combiner™ and allows redundant wireless communication with Encharge and Enpower.
Circuit Breakers BRK-10A-2-240 BRK-15A-2-240 BRK-20A-2P-240	Supports Eaton BR210, BR215, BR220, BR230, BR240, BR250, and BR260 circuit breakers. Circuit breaker, 2 pole, 10A, Eaton BR210 Circuit breaker, 2 pole, 15A, Eaton BR215 Circuit breaker, 2 pole, 20A, Eaton BR220
EPLC-01	Power line carrier (communication bridge pair), quantity - one pair
XA-PLUG-120-3	Accessory receptacle for Power Line Carrier in IQ Combiner 3 (required for EPLC-01)
XA-ENV-PCBA-3	Replacement IQ Envoy printed circuit board (PCB) for Combiner 3
ELECTRICAL SPECIFICATIONS	
Rating	Continuous duty
System voltage	120/240 VAC, 60 Hz
Eaton BR series busbar rating	125 A
Max. continuous current rating (output to grid)	65 A
Max. fuse/circuit rating (output)	90 A
Branch circuits (solar and/or storage)	Up to four 2-pole Eaton BR series Distributed Generation (DG) breakers only (not included)
Max. continuous current rating (input from PV)	64 A
Max. total branch circuit breaker rating (input)	80A of distributed generation / 90A with IQ Envoy breaker included
Production Metering CT	200 A solid core pre-installed and wired to IQ Envoy
MECHANICAL DATA	
Dimensions (WxHxD)	49.5 x 37.5 x 16.8 cm (19.5" x 14.75" x 6.63"). Height is 21.06" (53.5 cm with mounting brackets).
Weight	7.5 kg (16.5 lbs)
Ambient temperature range	-40° C to +46° C (-40° to 115° F)
Cooling	Natural convection, plus heat shield
Enclosure environmental rating	Outdoor, NRTL-certified, NEMA type 3R, polycarbonate construction
Wire sizes	<ul style="list-style-type: none"> <li>• 20 A to 50 A breaker inputs: 14 to 4 AWG copper conductors</li> <li>• 60 A breaker branch input: 4 to 1/0 AWG copper conductors</li> <li>• Main lug combined output: 10 to 2/0 AWG copper conductors</li> <li>• Neutral and ground: 14 to 1/0 copper conductors</li> </ul> Always follow local code requirements for conductor sizing.
Altitude	To 2000 meters (6,560 feet)
INTERNET CONNECTION OPTIONS	
Integrated Wi-Fi	802.11b/g/n
Ethernet	Optional, 802.3, Cat5E (or Cat 6) UTP Ethernet cable (not included)
Cellular	Optional, CELLMODEM-01 (3G) or CELLMODEM-03 (4G) or CELLMODEM-M1 (4G based LTE-M) (not included)
COMPLIANCE	
Compliance, Combiner	UL 1741, CAN/CSA C22.2 No. 107.1, 47 CFR, Part 15, Class B, ICES 003 Production metering: ANSI C12.20 accuracy class 0.5 (PV production)
Compliance, IQ Envoy	UL 60601-1/CANCSA 22.2 No. 61010-1

To learn more about Enphase offerings, visit [enphase.com](http://enphase.com)

© 2018 Enphase Energy. All rights reserved. Enphase, the Enphase logo, IQ Combiner 3, and other trademarks or service names are the trademarks of Enphase Energy, Inc.  
2019-11-04



1403 N RESEARCH WAY, BUILDING J  
OREM, UT 84097  
800-377-4480  
WWW.BLUERAVENSOLAR.COM

CONFIDENTIAL - THE INFORMATION HEREIN CONTAINED SHALL NOT BE USED FOR THE BENEFIT OF ANYONE EXCEPT BLUE RAVEN SOLAR NOR SHALL IT BE DISCLOSED IN WHOLE OR IN PART TO OTHERS OUTSIDE RECIPIENTS ORGANIZATION, EXCEPT IN CONNECTION WITH THE SALE AND USE OF THE RESPECTIVE EQUIPMENT, WITHOUT THE WRITTEN PERMISSION OF BLUE RAVEN SOLAR LLC.



CONTRACTOR:  
BRS FIELD OPS  
385.498.6700



To learn more about Enphase offerings, visit [enphase.com](http://enphase.com)



SHEET NAME  
SPEC SHEET

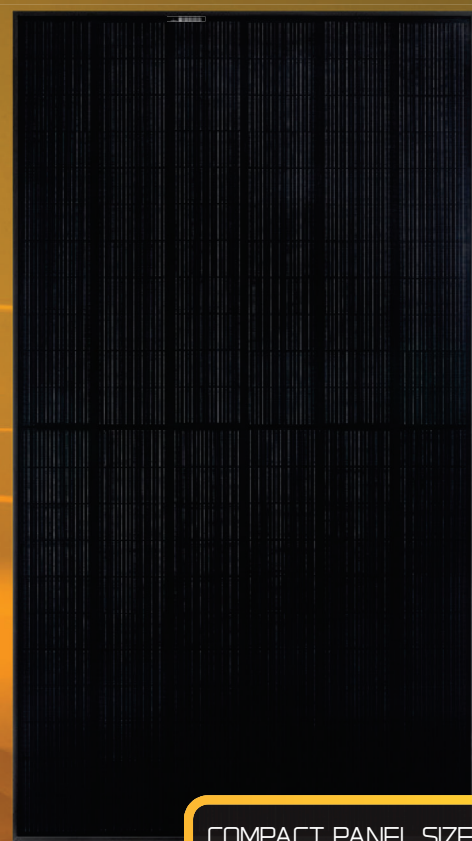
PAGE NUMBER  
SS

REVISION  
0

SOLAR'S MOST TRUSTED



# REC ALPHA<sup>®</sup> PURE SERIES PRODUCT SPECIFICATIONS



COMPACT PANEL SIZE

410 WP  
222 W/M<sup>2</sup>

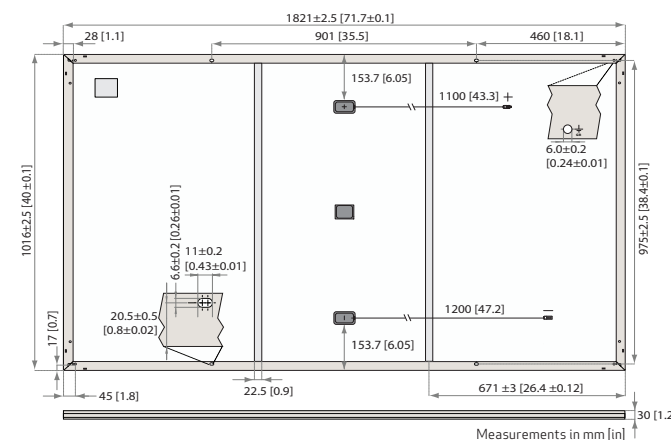


## REC ALPHA PURE SERIES PRODUCT SPECIFICATIONS



### GENERAL DATA

Cell type:	132 half-cut REC heterojunction cells with lead-free, gapless technology, 6 strings of 22 cells in series
Glass:	3.2 mm solar glass with anti-reflective surface treatment in accordance with EN12150
Backsheet:	Highly resistant polymer (black)
Frame:	Anodized aluminum (black)
Junction box:	3-part, 3 bypass diodes, lead-free IP68 rated, in accordance with IEC 62790
Connectors:	Stäubli MC4 PV-KBT4/KST4 (4 mm <sup>2</sup> ) in accordance with IEC 62852, IP68 only when connected
Cable:	4 mm <sup>2</sup> solar cable, 1.1 m + 1.2 m in accordance with EN50618
Dimensions:	1821 x 1016 x 30 mm (1.85 m <sup>2</sup> )
Weight:	20.5 kg
Origin:	Made in Singapore



### ELECTRICAL DATA

Product Code\*: RECxxxAA Pure

	385	390	395	400	405	410
Power Output - P <sub>MAX</sub> (Wp)	385	390	395	400	405	410
Watt Class Sorting - (W)	0/+5	0/+5	0/+5	0/+5	0/+5	0/+5
Nominal Power Voltage - V <sub>MPP</sub> (V)	41.2	41.5	41.8	42.1	42.4	42.7
Nominal Power Current - I <sub>MPP</sub> (A)	9.35	9.40	9.45	9.51	9.56	9.61
Open Circuit Voltage - V <sub>OC</sub> (V)	48.5	48.6	48.7	48.8	48.9	49.0
Short Circuit Current - I <sub>SC</sub> (A)	10.18	10.19	10.20	10.25	10.30	10.35
Power Density (W/m <sup>2</sup> )	208	211	214	216	219	222
Panel Efficiency (%)	20.8	21.1	21.4	21.6	21.9	22.2
Power Output - P <sub>MAX</sub> (Wp)	293	297	301	305	309	312
Nominal Power Voltage - V <sub>MPP</sub> (V)	38.8	39.1	39.4	39.7	40.0	40.2
Nominal Power Current - I <sub>MPP</sub> (A)	7.55	7.59	7.63	7.68	7.72	7.76
Open Circuit Voltage - V <sub>OC</sub> (V)	45.7	45.8	45.9	46.0	46.1	46.2
Short Circuit Current - I <sub>SC</sub> (A)	8.16	8.20	8.24	8.28	8.32	8.36

Values at standard test conditions (STC: air mass AM1.5, irradiance 1000 W/m<sup>2</sup>, temperature 25°C), based on a production spread with a tolerance of P<sub>MAX</sub>, V<sub>OC</sub> & I<sub>SC</sub> ±3% within one watt class. Nominal module operating temperature (NMOT: air mass AM1.5, irradiance 800 W/m<sup>2</sup>, temperature 20°C, windspeed 1 m/s). \*Where xxx indicates the nominal power class (P<sub>MAX</sub>) at STC above.

### MAXIMUM RATINGS

Operational temperature:	-40 ... +85°C
Maximum system voltage:	1000 V
Maximum test load (front):	+7000 Pa (713 kg/m <sup>2</sup> )*
Maximum test load (rear):	-4000 Pa (407 kg/m <sup>2</sup> )*
Max series fuse rating:	25 A
Max reverse current:	25 A

\*See installation manual for mounting instructions. Design load = Test load / 1.5 (safety factor)

### WARRANTY

	Standard	REC ProTrust
Installed by an REC Certified Solar Professional	No	Yes
System Size	All	≤25 kW 25-500 kW
Product Warranty (yrs)	20	25
Power Warranty (yrs)	25	25
Labor Warranty (yrs)	0	25
Power in Year 1	98%	98%
Annual Degradation	0.25%	0.25%
Power in Year 25	92%	92%

See warranty documents for details. Conditions apply

### CERTIFICATIONS

IEC 61215:2016, IEC 61730:2016, UL 61730
IEC 62804 PID
IEC 61701 Salt Mist
IEC 62716 Ammonia Resistance
ISO 11925-2 Ignitability (Class E)
IEC 62782 Dynamic Mechanical Load
IEC 61215-2:2016 Hailstone (35mm)
IEC 62321 Lead-free acc. to RoHS EU 863/2015
ISO 14001, ISO 9001, IEC 45001, IEC 62941



### TEMPERATURE RATINGS\*

Nominal Module Operating Temperature:	44°C (±2°C)
Temperature coefficient of P <sub>MAX</sub> :	-0.26%/°C
Temperature coefficient of V <sub>OC</sub> :	-0.24%/°C
Temperature coefficient of I <sub>SC</sub> :	0.04%/°C

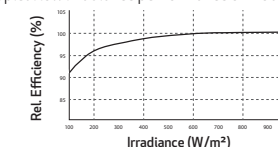
\*The temperature coefficients stated are linear values

### DELIVERY INFORMATION

Panels per pallet:	33
Panels per 40 ft GP/high cube container:	792 (24 pallets)
Panels per 13.6 m truck:	924 (28 pallets)
Panels per 53 ft truck:	891 (27 pallets)

### LOW LIGHT BEHAVIOUR

Typical low irradiance performance of module at STC:



Founded in 1996, REC Group is an international pioneering solar energy company dedicated to empowering consumers with clean, affordable solar power. As Solar's Most Trusted, REC is committed to high quality, innovation, and a low carbon footprint in the solar materials and solar panels it manufactures. Headquartered in Norway with operational headquarters in Singapore, REC also has regional hubs in North America, Europe, and Asia-Pacific.



Specifications subject to change without notice. Ref: PM4-DS-12-06-Rev-E 11.21



1403 N. Research Way  
Orem, UT 84097

800.377.4480  
WWW.BLUERAVENSOLAR.COM

CONFIDENTIAL- THE INFORMATION HEREIN CONTAINED SHALL NOT BE USED FOR THE BENEFIT OF ANYONE EXCEPT BLUE RAVEN SOLAR NOR SHALL IT BE DISCLOSED IN WHOLE OR IN PART TO OTHERS OUTSIDE RECIPIENTS ORGANIZATION, EXCEPT IN CONNECTION WITH THE SALE AND USE OF THE RESPECTIVE EQUIPMENT, WITHOUT THE WRITTEN PERMISSION OF BLUE RAVEN SOLAR LLC.



PV INSTALLATION  
PROFESSIONAL

Scott Gurney  
#PV-011719-015866

CONTRACTOR:  
BRS FIELD OPS  
385-498-6700

SHEET NAME:

SPEC SHEET

REVISION:

----

PAGE NUMBER:

SS

Product data sheet  
Characteristics

**D223NRB**  
Safety switch, general duty, fusible, 100A, 2 poles, 30 hp, 120 VAC, NEMA 3R, bolt-on provision, neutral factory installed

Product availability : Stock - Normally stocked in distribution facility



Price\* : 480.00 USD



Main

Product	Single Throw Safety Switch
Current Rating	100 A
Certifications	UL listed file E2875
Enclosure Rating	NEMA 3R
Disconnect Type	Fusible disconnect switch
Factory Installed Neutral	Neutral (factory installed)
Short Circuit Current Rating	100 kA maximum depending on fuse H, K or R
Mounting Type	Surface
Number of Poles	2
Electrical Connection	Lugs
Duty Rating	General duty
Voltage Rating	240 V AC
Wire Size	AWG 14...AWG 1 copper AWG 12...AWG 1 aluminium

Complementary

Maximum Horse Power Rating	7.5 hp 240 V AC 60 Hz 1 phase NEC 240.6 15 hp 240 V AC 60 Hz 3 phase NEC 240.6 15 hp 240 V AC 60 Hz 1 phase NEC 430.52 30 hp 240 V AC 60 Hz 3 phase NEC 430.52
Tightening torque	35 lbf.in (3.95 N.m) 0.00...0.01 in <sup>2</sup> (2.08...5.26 mm <sup>2</sup> ) AWG 14...AWG 10) 40 lbf.in (4.52 N.m) 0.01 in <sup>2</sup> (8.37 mm <sup>2</sup> ) AWG 8) 35 lbf.in (3.95 N.m) AWG 14...AWG 10) 45 lbf.in (5.08 N.m) 0.02...0.03 in <sup>2</sup> (12.3...21.12 mm <sup>2</sup> ) AWG 6...AWG 4) 50 lbf.in (5.65 N.m) AWG 3...AWG 1)
Height	17.5 in (444.50 mm)

\* Price is "List Price" and may be subject to a trade discount - check with your local distributor or retailer for actual price.

Width	10.56 in (268.22 mm)
Depth	6.5 in (165.10 mm)

Ordering and shipping details

Category	00106 - D & DU SW,NEMA3R, 30-200A
Discount Schedule	DE1A
GTIN	00785901460701
Nbr. of units in pkg.	1
Package weight(Lbs)	15.46 lb(US) (7.01 kg)
Returnability	Yes
Country of origin	US

Packing Units

Unit Type of Package 1	PCE
Package 1 Height	7.30 in (18.542 cm)
Package 1 width	10.80 in (27.432 cm)
Package 1 Length	20.00 in (50.8 cm)
Unit Type of Package 2	PAL
Number of Units in Package 2	40
Package 2 Weight	650.00 lb(US) (294.835 kg)
Package 2 Height	41.00 in (104.14 cm)
Package 2 width	41.00 in (104.14 cm)
Package 2 Length	48.00 in (121.92 cm)

Offer Sustainability

Sustainable offer status	Green Premium product
California proposition 65	WARNING: This product can expose you to chemicals including: Lead and lead compounds, which is known to the State of California to cause cancer and birth defects or other reproductive harm. For more information go to <a href="http://www.P65Warnings.ca.gov">www.P65Warnings.ca.gov</a>
REACH Regulation	<a href="#">REACH Declaration</a>
REACH free of SVHC	Yes
EU RoHS Directive	Compliant <a href="#">EU RoHS Declaration</a>
Mercury free	Yes
RoHS exemption information	Yes
China RoHS Regulation	<a href="#">China RoHS declaration</a> Product out of China RoHS scope. Substance declaration for your information.
Environmental Disclosure	<a href="#">Product Environmental Profile</a>
PVC free	Yes

Contractual warranty

Warranty	18 months
----------	-----------

Disclaimer: This documentation is not intended as a substitute for and is not to be used for determining suitability or reliability of these products for specific user applications



1403 N. Research Way  
Orem, UT 84097  
800.377.4480  
WWW.BLUERAVENSOLAR.COM

CONFIDENTIAL- THE INFORMATION HEREIN CONTAINED SHALL NOT BE USED FOR THE BENEFIT OF ANYONE EXCEPT BLUE RAVEN SOLAR NOR SHALL IT BE DISCLOSED IN WHOLE OR IN PART TO OTHERS OUTSIDE RECIPIENTS ORGANIZATION, EXCEPT IN CONNECTION WITH THE SALE AND USE OF THE RESPECTIVE EQUIPMENT, WITHOUT THE WRITTEN PERMISSION OF BLUE RAVEN SOLAR LLC.



PV INSTALLATION  
PROFESSIONAL  
Scott Gurney  
#PV-011719-015866

CONTRACTOR:  
BRS FIELD OPS  
385-498-6700

SHEET NAME:

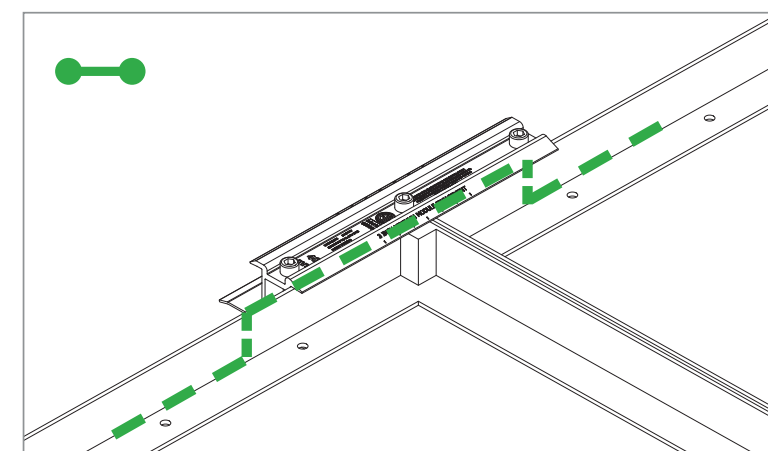
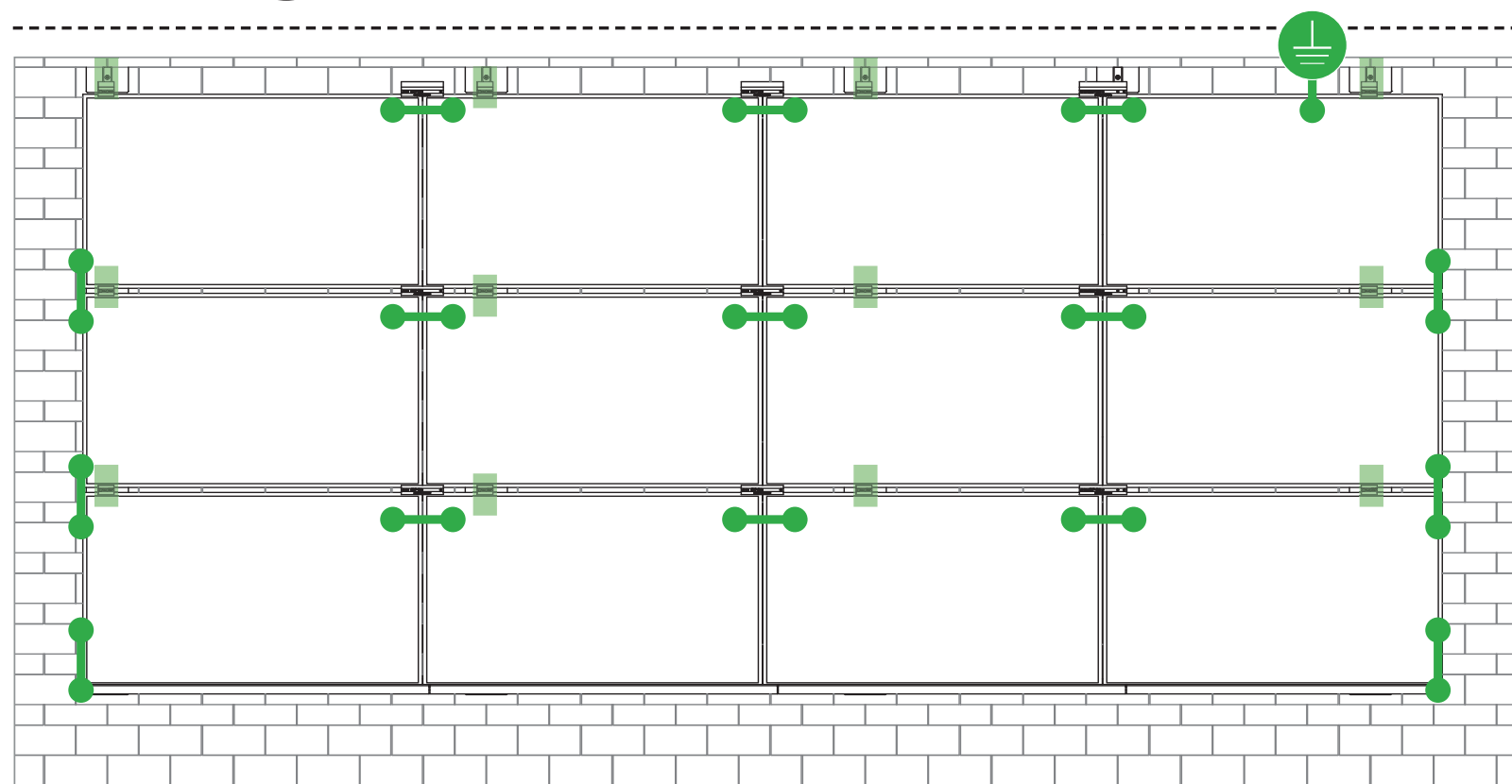
**SPEC SHEETS**

REVISION:

0

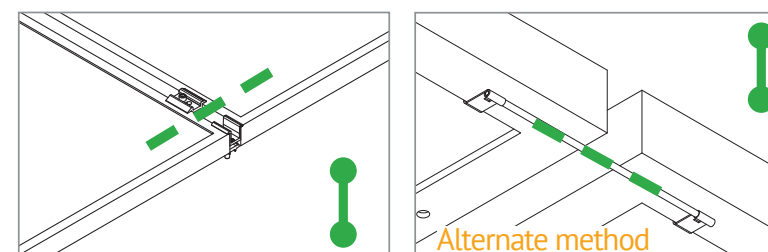
PAGE NUMBER:

SS



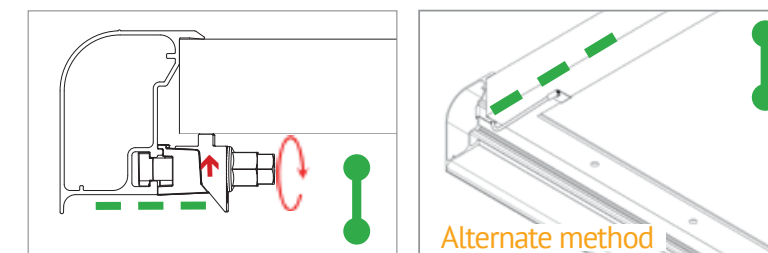
### E-W BONDING PATH:

E-W module to module bonding is accomplished with 2 pre-installed bonding pins which engage on the secure side of the Microrail™ and splice.



### N-S BONDING PATH:

N-S module to module bonding is accomplished with bonding clamp with 2 integral bonding pins. (refer also to alternate method )



### TRIMRAIL BONDING PATH:

Trimrail to module bonding is accomplished with bonding clamp with integral bonding pin and bonding T-bolt. (refer also to alternate method )

Star Washer is Single Use Only



**TERMINAL TORQUE,**  
Install Conductor and torque to the following:  
4-6 AWG: 35in-lbs  
8 AWG: 25 in-lbs  
10-14 AWG: 20 in-lbs

#### LUG DETAIL & TORQUE INFO IlSCO Lay-In Lug (GBL-4DBT)

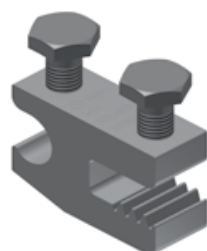
- 10-32 mounting hardware
- Torque = 5 ft-lb
- AWG 4-14- Solid or Stranded

**TERMINAL TORQUE,**  
Install Conductor and torque to the following:  
4-14 AWG: 35in-lbs

#### LUG DETAIL & TORQUE INFO IlSCO Flange Lug (SGB-4)

- 1/4" mounting hardware
- Torque = 75 in-lb
- AWG 4-14- Solid or Stranded

WEEBLUG Single Use Only



**TERMINAL TORQUE,**  
Install Conductor and torque to the following:  
6-14 AWG: 7ft-lbs

#### LUG DETAIL & TORQUE INFO Wiley WEEBLug (6.7)

- 1/4" mounting hardware
- Torque = 10 ft-lb
- AWG 6-14- Solid or Stranded

**NOTE: ISOLATE COPPER FROM ALUMINUM CONTACT TO PREVENT CORROSION**

**System bonding is accomplished through modules. System grounding accomplished by attaching a ground lug to any module at a location on the module specified by the module manufacturer.**

DRAWING BY:

PLOT DATE:

PROJECT NUMBER:

SHEET NAME:

SPEC SHEET

REVISION:

----

PAGE NUMBER:

SS



# UL CODE COMPLIANCE NOTES

## INSTALLATION GUIDE

T  
PAGE

### SYSTEM LEVEL FIRE CLASSIFICATION

The system fire class rating requires installation in the manner specified in the SUNFRAME MICRORAIL (SFM) Installation Guide. SFM has been classified to the system level fire portion of UL 1703. This UL 1703 classification has been incorporated into the UL 2703 product certification. SFM has achieved Class A, B & C system level performance for low slope & steep sloped roofs when used in conjunction with type 1 and type 2 modules. Class A, B & C system level fire

performance is inherent in the SFM design, and no additional mitigation measures are required. The fire classification rating is valid for any roof pitch. There is no required minimum or maximum height limitation above the roof deck to maintain the Class A, B & C fire rating for SFM. SUNFRAME MICRORAIL™ components shall be mounted over a fire resistant roof covering rated for the application.

Module Type	Roof Slope	System Level Fire Rating	Microrail Direction	Module Orientation	Mitigation Required
Type 1 and Type 2	Steep Slope & Low Slope	Class A, B & C	East-West	Landscape OR Portrait	None Required

### UL2703 TEST MODULES

See pages V and W for a list of modules that were electrically and mechanically tested or qualified with the SUNFRAME MICRORAIL (SFM) components outlined within this Installation Guide.

- Maximum Area of Module = 27.76 sqft
- UL2703 Design Load Ratings:
  - a) Downward Pressure – 113 PSF / 5400 Pa
  - b) Upward Pressure – 50 PSF / 2400 Pa
  - c) Down-Slope Load – 21.6 PSF / 1034 Pa
- Tested Loads:
  - a) Downward Pressure – 170 PSF / 8000 Pa
  - b) Upward Pressure – 75 PSF / 3500 Pa
  - c) Down-Slope Load – 32.4 PSF / 1550 Pa
- Maximum Span = 6ft
- Use with a maximum over current protection device OCPD of 30A
- System conforms to UL Std 2703, certified to LTR AE-001-2012
- Rated for a design load of 2400 Pa / 5400 Pa with 24 inch span
- PV modules may have a reduced load rating, independent of the SFM load rating. Please consult the PV module manufacturer's installation guide for more information
- Down-Slope design load rating of 30 PSF/ 1400 Pa for module areas of 22.3 sq ft or less



1403 N. Research Way  
Orem, UT 84097  
800.377.4480  
WWW.BLUERAVENSOLAR.COM

CONFIDENTIAL- THE INFORMATION HEREIN CONTAINED SHALL NOT BE USED FOR THE BENEFIT OF ANYONE EXCEPT BLUE RAVEN SOLAR NOR SHALL IT BE DISCLOSED IN WHOLE OR IN PART TO OTHERS OUTSIDE RECIPIENTS ORGANIZATION, EXCEPT IN CONNECTION WITH THE SALE AND USE OF THE RESPECTIVE EQUIPMENT, WITHOUT THE WRITTEN PERMISSION OF BLUE RAVEN SOLAR LLC.



PV INSTALLATION PROFESSIONAL  
Scott Gurney  
#PV-011719-015866

CONTRACTOR:  
BRS FIELD OPS  
385-498-6700

DRAWING BY:

PLOT DATE:

PROJECT NUMBER:

SHEET NAME:

SPEC SHEET

REVISION:

----

PAGE NUMBER:

SS



PV INSTALLATION PROFESSIONAL  
Scott Gurney  
#PV-011719-015866

CONTRACTOR:  
BRS FIELD OPS  
385-498-6700

Manufacture	Module Model / Series
Aleo	P-Series
Astronergy	CHSM6612P, CHSM6612P/HV, CHSM6612M, CHSM6612M/HV, CHSM6610M (BL)(BF)/(HF), CHSM72M-HC
Auxin	AXN6M610T, AXN6P610T, AXN6M612T & AXN6P612T
Axitec	AXIblackpremium 60 (35mm), AXIpower 60 (35mm), AXIpower 72 (40mm), AXIpremium 60 (35mm), AXIpremium 72 (40mm).
Aptos	DNA-120-(BF/MF)26 DNA-144-(BF/MF)26
Boviet	BVM6610, BVM6612
BYD	P6K & MHK-36 Series
Canadian Solar	CS1(H/K/U/Y)-MS CS3(K/L/U), CS3K-MB-AG, CS3K-(MS/P) CS3N-MS, CS3U-MB-AG, CS3U-(MS/P), CS3W CS5A-M, CS6(K/U), CS6K-(M/P), CS6K-MS CS6P-(M/P), CS6U-(M/P), CS6V-M, CS6X-P
Centrosolar America	C-Series & E-Series
CertainTeed	CT2xxMxx-01, CT2xxPxx-01, CTxxxMxx-02, CTxxxM-03, CTxxxMxx-04, CTxxxHC11-04
Dehui	DH-60M

Manufacture	Module Model / Series
Eco Solargy	Orion 1000 & Apollo 1000
ET Solar	ET-M672BHxxxTW
FreeVolt	Mono PERC
GCL	GCL-P6 & GCL-M6 Series
Hansol	TD-AN3, TD-AN4, UB-AN1, UD-AN1
Heliene	36M, 60M, 60P, 72M & 72P Series
HT Solar	HT60-156(M) (NDV) (-F), HT 72-156(M/P)
Hyundai	KG, MG, TG, RI, RG, TI, MI, HI & KI Series HiA-SxxxHG
ITEK	iT, iT-HE & iT-SE Series
Japan Solar	JPS-60 & JPS-72 Series
JA Solar	JAP6 60-xxx, JAM6-60-xxx/SI, JAM6(K)-60/ xxx, JAP6(k)-72-xxx/4BB, JAP72SY-xxx/ZZ, JAP6(k)-60-xxx/4BB, JAP60SY-xxx/ZZ, JAM6(k)-72-xxx/ZZ, JAM72SY-xxx/ZZ, JAM6(k)-60-xxx/ZZ, JAM60SY-xxx/ZZ. i. YY: 01, 02, 03, 09, 10 ii. ZZ: SC, PR, BP, HiT, IB, MW, MR
Jinko	JKM & JKMS Series Eagle JKMxxxM JKMxxxM-72HL-V
Kyocera	KU Series

Manufacture	Module Model / Series	
LG Electronics	LGxxxN2T-A4 LGxxx(A1C/E1C/E1K/N1C/N1K/N2T/N2W/ Q1C/Q1K/S1C/S2W)-A5 LGxxxN2T-B5 LGxxxN1K-B6 LGxxx(A1C/M1C/M1K/N1C/N1K/Q1C/Q1K/ QAC/QAK)-A6 LGxxx(N1C/N1K/N2T/N2W)-E6 LGxxx(N1C/N1K/N2W/S1C/S2W)-G4 LGxxxN2T-J5 LGxxx(N1K/N1W/N2T/N2W)-L5 LGxxx(N1C/Q1C/Q1K)-N5 LGxxx (N1C/N1K/N2W/Q1C/Q1K)-V5	
	LR4-60(HIB/HIH/HPB/HPH)-xxxM LR4-72(HIH/HPH)-xxxM LR6-60(BP/HBD/HIBD)-xxxM (30mm) LR6-60(BK)(PE)(HPB)(HPH)-xxxM (35mm) LR6-60(BK)(PE)(PB)(PH)-xxxM (40mm) LR6-72(BP)(HBD)(HIBD)-xxxM (30mm) LR6-72(HV)(BK)(PE)(PH)(PB)(HPH)-xxxM (35mm) LR6-72(BK)(HV)(PE)(PB)(PH)-xxxM (40mm)	
	Mission Solar Energy	MSE Series
	Mitsubishi	MJE & MLE Series
	Neo Solar Power Co.	D6M & D6P Series

- Unless otherwise noted, all modules listed above include all wattages and specific models within that series. Variable wattages are represented as "xxx"
- Items in parenthesis are those that may or may not be present in a compatible module's model ID
- Slashes "/" between one or more items indicates that either of those items may be the one that is present in a module's model ID
- Please see the SFM UL2703Construction Data Report at Unirac.com to ensure the exact solar module selected is approved for use with SFM
- SFM Infinity is not compatible with module frame height of less than 30mm and more than 40mm. See Module Mounting section, page L for further information

DRAWING BY:

PLOT DATE:

PROJECT NUMBER:

SHEET NAME:

**SPEC SHEET**

REVISION:

----

PAGE NUMBER:

**SS**

Manufacture	Module Model / Series
Panasonic	VBHNxxxSA15 & SA16, VBHNxxxSA17 & SA18, VBHNxxxSA17(E/G) & SA18E, VBHNxxxKA01 & KA03 & KA04, VBHNxxxZA01, VBHNxxxZA02, VBHNxxxZA03, VBHNxxxZA04
Peimar	SGxxxM (FB/BF)
Phono Solar	PS-60, PS-72
Prism Solar	P72 Series
Q.Cells	Plus, Pro, Peak, G3, G4, G5, G6(+), G7, G8(+) Pro, Peak L-G2, L-G4, L-G5, L-G6, L-G7 Q.PEAK DUO BLK-G6+ Q.PEAK DUO BLK-G6+/TS Q.PEAK DUO (BLK)-G8(+) Q.PEAK DUO L-G8.3/BFF Q.PEAK DUO (BLK) ML-G9(+) Q.PEAK DUO XL-G9/G9.2/G9.3 Q.PEAK DUO (BLK) ML-G10(+) Q.PEAK DUO XL-G(10/10.2/10.3/10.c/10.d)
REC	Alpha (72) (Black) (Pure) N-Peak (Black) N-Peak 2 (Black) PEAK Energy Series PEAK Energy BLK2 Series PEAK Energy 72 Series

Manufacture	Module Model / Series
REC (cont.)	TwinPeak Series TwinPeak 2 Series TwinPeak 2 BLK2 Series TwinPeak 2S(M)72(XV) TwinPeak 3 Series (38mm) TP4 (Black)
Rezosola	Vitrus2 Series & 156 Series
Risen	RSM72-6 (MDG) (M), RSM60-6
S-Energy	SN72 & SN60 Series (40mm)
Seraphim	SEG-6 & SRP-6 Series
Sharp	NU-SA & NU-SC Series
Silfab	SLA, SLG, BC Series & SILxxx(BL/NL/NT/HL/ML/BK/NX/NU/HC)
Solaria	PowerXT-xxxR-(AC/PD/BD) PowerXT-xxxC-PD PowerXT-xxxR-PM (AC)
SolarWorld	Sunmodule Protect, Sunmodule Plus
Sonali	SS 230 - 265
Suntech	STP
Suniva	MV Series & Optimus Series
Sun Edison/Flextronics	F-Series, R-Series & FLEX FXS Series
SunPower	X-Series, E-Series & P-Series
Talesun	TP572, TP596, TP654, TP660, TP672, Hipor M, Smart

Manufacture	Module Model / Series
Tesla	SC, SC B, SC B1, SC B2 TxxxS
Trina	PA05, PD05, DD05, DE06, DD06, PE06, PD14, PE14, DD14, DE09.05, DE14, DE15, PE15H
Upsolar	UP-MxxxP(-B), UP-MxxxM(-B)
URE	D7MxxxH7A, D7(M/K)xxxH8A FAKxxx(C8G/E8G), FAMxxxE7G-BB FAMxxxE8G(-BB)
Vikram	Eldora, Solivo, Somera
Waaree	AC & Adiya Series
Winaico	WST & WSP Series
Yingli	YGE & YLM Series
ZN Shine	ZXM6-72

- Unless otherwise noted, all modules listed above include all wattages and specific models within that series. Variable wattages are represented as "xxx"
- Items in parenthesis are those that may or may not be present in a compatible module's model ID
- Slashes "/" between one or more items indicates that either of those items may be the one that is present in a module's model ID
- Please see the SFM UL2703Construction Data Report at Unirac.com to ensure the exact solar module selected is approved for use with SFM
- SFM Infinity is not compatible with module frame height of less than 30mm and more than 40mm. See Module Mounting section, page L for further information

DRAWING BY:

PLOT DATE:

PROJECT NUMBER:

SHEET NAME:

**SPEC SHEET**

REVISION:

----

PAGE NUMBER:

**SS**





**AUTHORIZATION TO MARK**

This authorizes the application of the Certification Mark(s) shown below to the models described in the Product(s) Covered section when made in accordance with the conditions set forth in the Certification Agreement and Listing Report. This authorization also applies to multiple listee model(s) identified on the correlation page of the Listing Report.

This document is the property of Intertek Testing Services and is not transferable. The certification mark(s) may be applied only at the location of the Party Authorized To Apply Mark.

**Applicant:** Unirac, Inc  
**Manufacturer:**  
**Address:** 1411 Broadway Blvd NE  
Albuquerque, NM 87102  
**Country:** USA  
**Party Authorized To Apply Mark:** Same as Manufacturer  
**Report Issuing Office:** Intertek Testing Services NA, Inc., Lake Forest, CA  
**Control Number:** 5019851 **Authorized by:** Jovany Alonso  
for L. Matthew Snyder, Certification Manager



This document supersedes all previous Authorizations to Mark for the noted Report Number.

This Authorization to Mark is for the exclusive use of Intertek's Client and is provided pursuant to the Certification agreement between Intertek and its Client. Intertek's responsibility and liability are limited to the terms and conditions of the agreement. Intertek assumes no liability to any party, other than to the Client in accordance with the agreement, for any loss, expense or damage occasioned by the use of this Authorization to Mark. Only the Client is authorized to permit copying or distribution of this Authorization to Mark and then only in its entirety. Use of Intertek's Certification mark is restricted to the conditions laid out in the agreement and in this Authorization to Mark. Any further use of the Intertek name for the sale or advertisement of the tested material, product or service must first be approved in writing by Intertek. Initial Factory Assessments and Follow up Services are for the purpose of assuring appropriate usage of the Certification mark in accordance with the agreement, they are not for the purposes of production quality control and do not relieve the Client of their obligations in this respect.

Intertek Testing Services NA Inc.  
545 East Algonquin Road, Arlington Heights, IL 60005  
Telephone 800-345-3851 or 847-439-5667 Fax 312-283-1672

<b>Standard(s):</b>	Mounting Systems, Mounting Devices, Clamping/Retention Devices, and Ground Lugs for Use with Flat-Plate Photovoltaic Modules and Panels [UL 2703:2015 Ed.1+R:29May2019] PV Module and Panel Racking Mounting System and Accessories [CSA TIL No. A-40:2020]
<b>Product:</b>	Photovoltaic Mounting System, Sun Frame Microrail Installation Guide, PUB2021NOV29
<b>Brand Name:</b>	Unirac
<b>Models:</b>	Unirac SFM

**AUTHORIZATION TO MARK**

This authorizes the application of the Certification Mark(s) shown below to the models described in the Product(s) Covered section when made in accordance with the conditions set forth in the Certification Agreement and Listing Report. This authorization also applies to multiple listee model(s) identified on the correlation page of the Listing Report.

This document is the property of Intertek Testing Services and is not transferable. The certification mark(s) may be applied only at the location of the Party Authorized To Apply Mark.

**Applicant:** Unirac, Inc  
**Manufacturer:**  
**Address:** 1411 Broadway Blvd NE  
Albuquerque, NM 87102  
**Country:** USA  
**Party Authorized To Apply Mark:** Same as Manufacturer  
**Report Issuing Office:** Intertek Testing Services NA, Inc., Lake Forest, CA  
**Control Number:** 5021866 **Authorized by:** Jovany Alonso  
for L. Matthew Snyder, Certification Manager



This document supersedes all previous Authorizations to Mark for the noted Report Number.

This Authorization to Mark is for the exclusive use of Intertek's Client and is provided pursuant to the Certification agreement between Intertek and its Client. Intertek's responsibility and liability are limited to the terms and conditions of the agreement. Intertek assumes no liability to any party, other than to the Client in accordance with the agreement, for any loss, expense or damage occasioned by the use of this Authorization to Mark. Only the Client is authorized to permit copying or distribution of this Authorization to Mark and then only in its entirety. Use of Intertek's Certification mark is restricted to the conditions laid out in the agreement and in this Authorization to Mark. Any further use of the Intertek name for the sale or advertisement of the tested material, product or service must first be approved in writing by Intertek. Initial Factory Assessments and Follow up Services are for the purpose of assuring appropriate usage of the Certification mark in accordance with the agreement, they are not for the purposes of production quality control and do not relieve the Client of their obligations in this respect.

Intertek Testing Services NA Inc.  
545 East Algonquin Road, Arlington Heights, IL 60005  
Telephone 800-345-3851 or 847-439-5667 Fax 312-283-1672

<b>Standard(s):</b>	Mounting Systems, Mounting Devices, Clamping/Retention Devices, and Ground Lugs for Use with Flat-Plate Photovoltaic Modules and Panels [UL 2703:2015 Ed.1+R:29May2019] PV Module and Panel Racking Mounting System and Accessories [CSA TIL No. A-40:2020]
<b>Product:</b>	Photovoltaic Mounting System, Sun Frame Microrail Installation Guide, PUB2021NOV29
<b>Brand Name:</b>	Unirac
<b>Models:</b>	Unirac SFM

1403 N. Research Way  
Orem, UT 84097  
800.377.4480  
WWW.BLUERAVENSOLAR.COM

CONFIDENTIAL- THE INFORMATION HEREIN CONTAINED SHALL NOT BE USED FOR THE BENEFIT OF ANYONE EXCEPT BLUE RAVEN SOLAR NOR SHALL IT BE DISCLOSED IN WHOLE OR IN PART TO OTHERS OUTSIDE RECIPIENTS ORGANIZATION, EXCEPT IN CONNECTION WITH THE SALE AND USE OF THE RESPECTIVE EQUIPMENT, WITHOUT THE WRITTEN PERMISSION OF BLUE RAVEN SOLAR LLC.



PV INSTALLATION  
PROFESSIONAL  
Scott Gurney  
#PV-011719-015866

**CONTRACTOR:**  
BRS FIELD OPS  
385-498-6700

DRAWING BY:

PLOT DATE:

PROJECT NUMBER:

SHEET NAME:

**SPEC SHEET**

REVISION:

----

PAGE NUMBER:

**SS**

1.0 Reference and Address		
Report Number	102393982LAX-002	Original 11-Apr-2016 Revised: 2-Jan-2022
Standard(s)	Mounting Systems, Mounting Devices, Clamping/Retention Devices, and Ground Lugs for Use with Flat-Plate Photovoltaic Modules and Panels [UL 2703:2015 Ed.1+R:29May2019] PV Module and Panel Racking Mounting System and Accessories [CSA TIL No. A-40:2020]	
Applicant	Unirac, Inc	Manufacturer 2
Address	1411 Broadway Blvd NE Albuquerque, NM 87102	Address
Country	USA	Country
Contact	Klaus Nicolaedis Todd Ganshaw	Contact
Phone	505-462-2190 505-843-1418	Phone
FAX	NA	FAX
Email	klaus.nicolaedis@unirac.com toddg@unirac.com	Email
Manufacturer 3	Manufacturer 4	
Address	Address	
Country	Country	
Contact	Contact	
Phone	Phone	
FAX	FAX	
Email	Email	
Manufacturer 5		
Address		
Country		
Contact		
Phone		
FAX		

This report is for the exclusive use of Intertek's Client and is provided pursuant to the agreement between Intertek and its Client. Intertek's responsibility and liability are limited to the terms and conditions of the agreement. Intertek assumes no liability to any party, other than to the Client in accordance with the agreement, for any loss, expense or damage occasioned by the use of this report. Only the Client is authorized to permit copying or distribution of this report and then only in its entirety. Any use of the Intertek name or one of its marks for the sale or advertisement of the tested material, product or service must first be approved in writing by Intertek. The observations and test results in this report are relevant only to the sample tested. This report by itself does not imply that the material, product, or service is or has ever been under an Intertek certification program.

1.0 Reference and Address			
Report Number	102393982LAX-002	Original 11-Apr-2016	Revised: 2-Jan-2022
Email			

This report is for the exclusive use of Intertek's Client and is provided pursuant to the agreement between Intertek and its Client. Intertek's responsibility and liability are limited to the terms and conditions of the agreement. Intertek assumes no liability to any party, other than to the Client in accordance with the agreement, for any loss, expense or damage occasioned by the use of this report. Only the Client is authorized to permit copying or distribution of this report and then only in its entirety. Any use of the Intertek name or one of its marks for the sale or advertisement of the tested material, product or service must first be approved in writing by Intertek. The observations and test results in this report are relevant only to the sample tested. This report by itself does not imply that the material, product, or service is or has ever been under an Intertek certification program.

CONFIDENTIAL- THE INFORMATION HEREIN CONTAINED SHALL NOT BE USED FOR THE BENEFIT OF ANYONE EXCEPT BLUE RAVEN SOLAR NOR SHALL IT BE DISCLOSED IN WHOLE OR IN PART TO OTHERS OUTSIDE RECIPIENTS ORGANIZATION, EXCEPT IN CONNECTION WITH THE SALE AND USE OF THE RESPECTIVE EQUIPMENT, WITHOUT THE WRITTEN PERMISSION OF BLUE RAVEN SOLAR LLC.



PV INSTALLATION PROFESSIONAL  
Scott Gurney  
#PV-011719-015866

CONTRACTOR:  
BRS FIELD OPS  
385-498-6700

DRAWING BY:

PLOT DATE:

PROJECT NUMBER:

SHEET NAME:

**SPEC SHEET**

REVISION:

----

PAGE NUMBER:

**SS**

2.0 Product Description	
Product	Photovoltaic Mounting System, Sun Frame Microrail Installation Guide, PUB2021NOV29
Brand name	Unirac
Description	<p>The product covered by this report is the Sun Frame Micro Rail roof mounted Photovoltaic Rack Mounting System. This system is designed to provide bonding and grounding to photovoltaic modules. The mounting system employs anodized or mill finish aluminum brackets that are roof mounted using the slider, outlined in section 4 of this report. There are no rails within this product, whereas the 3" Micro Rail, Floating Splice, and 9" Attached Splice electrically bond the modules together forming the path to ground.</p>
	<p>The Micro Rails are installed onto the module frame by using a stainless steel bolt anodized with black oxide with a stainless type 300 bonding pin, torqued to 20 ft-lbs, retaining the modules to the bracket. The bonding pin of the Micro Rail when bolted and torqued, penetrate the anodized coating of the photovoltaic module frame (at bottom flange) to contact the metal, creating a bonded connection from module to module.</p>
	<p>The grounding of the entire system is intended to be in accordance with the latest edition of the National Electrical Code, including NEC 250: Grounding and Bonding, and NEC 690: Solar Photovoltaic Systems or the Canadian Electrical Code, CSA C22.1 Part 1 in accordance to the revision in effect in the jurisdiction in which the project resides. Any local electrical codes must be adhered in addition to the national electrical codes. The Grounding Lug is secured to the photovoltaic module, torqued in accordance with the installation manual provided in this document.</p> <p>Other optional grounding includes the use of the Enphase UL2703 certified grounding system, which requires a minimum of 2 micro-inverters mounted to the same rail, and using the same engage cable.</p>

2.0 Product Description	
Models	Unirac SFM
Model Similarity	NA
Ratings	<p>Fuse Rating: 30A</p> <p>Module Orientation: Portrait or Landscape Maximum Module Size: 17.98 ft<sup>2</sup> UL2703 Design Load Rating: 33 PSF Downward, 33 PSF Upward, 10 PSF Down-Slope Tested Loads - 50 psf/2400Pa Downward, 50psf/2400Pa Uplift, 15psf/720Pa Down Slope Trina TSM-255PD05.08 and Sunpower SPR-E20-327 used for Mechanical Loading</p> <p>Increased size ML test: Maximum Module Size: 22.3 ft<sup>2</sup> UL2703 Design Load Rating: 113 PSF Downward, 50 PSF Upward, 30 PSF Down-Slope LG355S2W-A5 used for Mechanical Loading test. Mounting configuration: Four mountings on each long side of panel with the longest span of 24" UL2703 Design Load Rating: 46.9 PSF Downward, 40 PSF Upward, 10 PSF Down-Slope LG395N2W-A5, LG360S2W-A5 and LG355S2W-A5 used for used for Mechanical Loading test. Mounting configuration: Six mountings for two modules used with the maximum span of 74.5" IEC 61646 Test Loads - 112.78 psf/5400Pa Downward, 50psf/2400Pa Uplift</p>
	<p>Mechanical Load test to add FlashLoc Slider and Trim Assemblies to UL2703 and IEC 61646 Certifications, &amp; Increase SFM System UL2703 Module Size: Maximum Module Size: 27.76 ft<sup>2</sup> UL2703 Design Load Rating: 113 PSF Downward, 50 PSF Upward, 21.6 PSF Down-Slope Jinko Eagle 72HM G5 used for Mechanical Loading test. Mounting configuration: Four mountings on each long side of panel with the longest span of 24" Maximum module size: 21.86 ft<sup>2</sup> IEC 61646 Test Loads - 112.78 psf/5400Pa Downward, 75psf/3600Pa Uplift SunPower model SPR-A430-COM-MLSD used for Mechanical Loading</p>
	<p>Fire Class Resistance Rating: - Class A for Steep Slope Applications when using Type 1 Modules. Can be installed at any interstitial gap. Installations must include Trim Rail. - Class A for Steep Slope Applications when using Type 2 Modules. Can be installed at any interstitial gap. Installations must include Trim Rail. - Class A Fire Rated for Low Slope applications with Type 1 or 2 listed photovoltaic modules. This system was evaluated with a 5" gap between the bottom of the module and the roof's surface</p> <p>See section 7.0 illustrations # 1, 1a, 1b, and 1c for a complete list of PV modules evaluated with these racking systems</p>
Other Ratings	NA



1403 N. Research Way  
Orem, UT 84097  
800.377.4480  
WWW.BLUERAVENSOLAR.COM

CONFIDENTIAL- THE INFORMATION HEREIN CONTAINED SHALL NOT BE USED FOR THE BENEFIT OF ANYONE EXCEPT BLUE RAVEN SOLAR NOR SHALL IT BE DISCLOSED IN WHOLE OR IN PART TO OTHERS OUTSIDE RECIPIENTS ORGANIZATION, EXCEPT IN CONNECTION WITH THE SALE AND USE OF THE RESPECTIVE EQUIPMENT, WITHOUT THE WRITTEN PERMISSION OF BLUE RAVEN SOLAR LLC.



PV INSTALLATION PROFESSIONAL  
Scott Gurney  
#PV-011719-015866

CONTRACTOR:  
BRS FIELD OPS  
385-498-6700

DRAWING BY:

PLOT DATE:

PROJECT NUMBER:

SHEET NAME:

**SPEC SHEET**

REVISION:

----

PAGE NUMBER:

**SS**

**7.0 Illustrations**

**Illustration 1 - Approved PV Modules**

Manufacture	Module Model / Series	Manufacture	Module Model / Series
Aleo	P-Series	Eco Solargy	Orion 1000 & Apollo 1000
Astronergy	CH5M6612P, CH5M6612P/HV, CH5M6612M, CH5M6612M/HV, CH5M6610M (BL)(BF)/(HF), CH5M72M-HC	ET Solar	ET-M672BHxxxTW
Auxin	AXN6M610T, AXN6P610T, AXN6M612T & AXN6P612T	FreeVolt	Mono PERC
Axitec	AXIblackpremium 60 (35mm), AXIpower 60 (35mm), AXIpower 72 (40mm), AXIpremium 60 (35mm), AXIpremium 72 (40mm).	GCL	GCL-P6 & GCL-M6 Series
Aptos	DNA-120-(BF/MF)26 DNA-144-(BF/MF)26	Hansol	TD-AN3, TD-AN4, UB-AN1, UD-AN1
Boviet	BVM6610, BVM6612	Heliene	36M, 60M, 60P, 72M & 72P Series
BYD	P6K & MHK-36 Series	HT Solar	HT60-156(M) (NDV) (-F), HT 72-156(M/P)
Canadian Solar	CS1(H/K/U/Y)-MS CS3(K/L/U), CS3K-MB-AG, CS3K-(MS/P) CS3N-MS, CS3U-MB-AG, CS3U-(MS/P), CS3W CS5A-M, CS6(K/U), CS6K-(M/P), CS6K-MS CS6P-(M/P), CS6U-(M/P), CS6V-M, CS6X-P	Hyundai	KG, MG, TG, RI, RG, TI, MI, HI & KI Series HiA-SxxxHG
Centrosolar America	C-Series & E-Series	ITEK	IT, IT-HE & IT-SE Series
CertainTeed	CT2xxMxx-01, CT2xxPxx-01, CTxxxMxx-02, CTxxxM-03, CTxxxMxx-04, CTxxxHC11-04	Japan Solar	JPS-60 & JPS-72 Series
Dehui	DH-60M	JA Solar	JAP6 60-xxx, JAM6-60-xxx/5I, JAM6(K)-60/ xxx, JAP6(k)-72-xxx/4BB, JAP725YY-xxx/ZZ, JAP6(k)-60-xxx/4BB, JAP605YY-xxx/ZZ, JAM6(k)-72-xxx/ZZ, JAM725YY-xxx/ZZ, JAM6(k)-60-xxx/ZZ, JAM605YY-xxx/ZZ. i. YY: 01, 02, 03, 09, 10 ii. ZZ: SC, PR, BP, HIT, IB, MW, MR
		Jinko	JKM & JKMS Series Eagle JKMxxxM JKMxxxM-72HL-V
		Kyocera	KU Series

**7.0 Illustrations**

**Illustration 1a - Approved PV Modules Continue**

Manufacture	Module Model / Series	Manufacture	Module Model / Series
LG Electronics	LGxxxN2T-A4 LGxxx(A1C/E1C/E1K/N1C/N1K/N2T/N2W/ Q1C/Q1K/S1C/S2W)-A5 LGxxxN2T-B5 LGxxxN1K-B6 LGxxx(A1C/M1C/M1K/N1C/N1K/Q1C/Q1K/ QAC/QAK)-A6 LGxxx(N1C/N1K/N2T/N2W)-E6 LGxxx(N1C/N1K/N2W/S1C/S2W)-G4 LGxxxN2T-J5 LGxxx(N1K/N1W/N2T/N2W)-L5 LGxxx(N1C/Q1C/Q1K)-N5 LGxxx (N1C/N1K/N2W/Q1C/Q1K)-V5	Panasonic	VBHNxxxSA15 & SA16, VBHNxxxSA17 & SA18, VBHNxxxSA17(E/G) & SA18E, VBHNxxxKA01 & KA03 & KA04, VBHNxxxZA01, VBHNxxxZA02, VBHNxxxZA03, VBHNxxxZA04
		Peimar	SGxxxM (FB/BF)
		Phono Solar	PS-60, PS-72
		Prism Solar	P72 Series
LONGi	LR4-60(HIB/HIH/HPB/HPH)-xxxM LR4-72(HIH/HPH)-xxxM LR6-60(BP/HBD/HIBD)-xxxM (30mm) LR6-60(BK)(PE)(HPB)(HPH)-xxxM (35mm) LR6-60(BK)(PE)(PB)(PH)-xxxM (40mm) LR6-72(BP)(HBD)(HIBD)-xxxM (30mm) LR6-72(HV)(BK)(PE)(PH)(HPB)(HPH)-xxxM (35mm) LR6-72(BK)(HV)(PE)(PB)(PH)-xxxM (40mm)	Q-Cells	Plus, Pro, Peak, G3, G4, G5, G6(+), G7, G8(+) Pro, Peak L-G2, L-G4, L-G5, L-G6, L-G7 Q-PEAK DUO BLK-G6+ Q-PEAK DUO BLK-G6+/TS Q-PEAK DUO (BLK)-G8(+) Q-PEAK DUO L-G8.3/BFF Q-PEAK DUO (BLK) ML-G9(+) Q-PEAK DUO XL-G9/G9.2/G9.3 Q-PEAK DUO (BLK) ML-G10(+) Q-PEAK DUO XL-G(10/10.2/10.3/10.c/10.d)
Mission Solar Energy	MSE Series	REC	Alpha (72) (Black) (Pure) N-Peak (Black) N-Peak 2 (Black) PEAK Energy Series PEAK Energy BLK2 Series PEAK Energy 72 Series
Mitsubishi	MJE & MLE Series		
Neo Solar Power Co.	D6M & D6P Series		



1403 N. Research Way  
Orem, UT 84097

800.377.4480  
WWW.BLUERAVENSOLAR.COM

CONFIDENTIAL- THE INFORMATION  
HEREIN CONTAINED SHALL NOT BE  
USED FOR THE BENEFIT OF ANYONE  
EXCEPT BLUE RAVEN SOLAR NOR  
SHALL IT BE DISCLOSED IN WHOLE OR  
IN PART TO OTHERS OUTSIDE  
RECIPIENTS ORGANIZATION, EXCEPT  
IN CONNECTION WITH THE SALE AND  
USE OF THE RESPECTIVE EQUIPMENT,  
WITHOUT THE WRITTEN PERMISSION  
OF BLUE RAVEN SOLAR LLC.



PV INSTALLATION  
PROFESSIONAL  
Scott Gurney  
#PV-011719-015866

CONTRACTOR:  
BRS FIELD OPS  
385-498-6700

DRAWING BY:

PLOT DATE:

PROJECT NUMBER:

SHEET NAME:

**SPEC SHEET**

REVISION:

----

PAGE NUMBER:

**SS**

**7.0 Illustrations**

**Illustration 1b - Approved PV Modules Continue**

Manufacture	Module Model / Series	Manufacture	Module Model / Series
REC (cont.)	TwinPeak Series TwinPeak 2 Series TwinPeak 2 BLK2 Series TwinPeak 2S(M)72(XV) TwinPeak 3 Series (38mm) TP4 (Black)	Tesla	SC, SC B, SC B1, SC B2 Txxx5
Renesola	Vitrus2 Series & 156 Series	Trina	PA05, PD05, DD05, DE06, DD06, PE06, PD14, PE14, DD14, DE09.05, DE14, DE15, PE15H
Risen	RSM72-6 (MDG) (M), RSM60-6	Upsolar	UP-MxxxP(-B), UP-MxxxM(-B)
S-Energy	SN72 & SN60 Series (40mm)	URE	D7MxxxH7A, D7(M/K)xxxH8A FAKxxx(C8G/E8G), FAMxxxE7G-BB FAMxxxE8G(-BB)
Seraphim	SEG-6 & SRP-6 Series	Vikram	Eldora, Solivo, Somera
Sharp	NU-SA & NU-SC Series	Waaree	AC & Adiya Series
Silfab	SLA, SLG, BC Series & SILxxx(BL/NL/NT/HL/ ML/BK/NX/NU/HC)	Winaico	WST & WSP Series
Solaria	PowerXT-xxxR-(AC/PD/BD) PowerXT-xxxC-PD PowerXT-xxxR-PM (AC)	Yingli	YGE & YLM Series
SolarWorld	Sunmodule Protect, Sunmodule Plus	ZN Shine	ZXM6-72
Sonali	SS 230 - 265		
Suntech	STP		
Suniva	MV Series & Optimus Series		
Sun Edison/Flextronics	F-Series, R-Series & FLEX FX5 Series		
SunPower	X-Series, E-Series & P-Series		
Talesun	TP572, TP596, TP654, TP660, TP672, Hipor M, Smart		



1403 N. Research Way  
Orem, UT 84097  
  
800.377.4480  
WWW.BLUERAVENSOLAR.COM

CONFIDENTIAL- THE INFORMATION  
HEREIN CONTAINED SHALL NOT BE  
USED FOR THE BENEFIT OF ANYONE  
EXCEPT BLUE RAVEN SOLAR NOR  
SHALL IT BE DISCLOSED IN WHOLE OR  
IN PART TO OTHERS OUTSIDE  
RECIPIENTS ORGANIZATION, EXCEPT  
IN CONNECTION WITH THE SALE AND  
USE OF THE RESPECTIVE EQUIPMENT,  
WITHOUT THE WRITTEN PERMISSION  
OF BLUE RAVEN SOLAR LLC.



**CONTRACTOR:**  
BRS FIELD OPS  
385-498-6700

DRAWING BY:

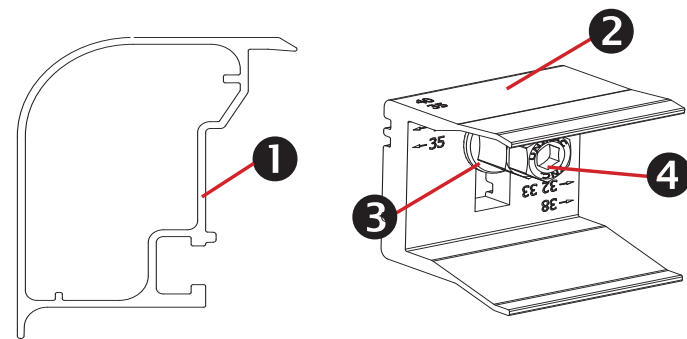
PLOT DATE:

PROJECT NUMBER:

SHEET NAME:

**SPEC SHEET**

REVISION: ----	PAGE NUMBER: <b>SS</b>
-------------------	---------------------------



### Trimrail™ and Module Clips

#### Sub-Components:

1. Trim Rail
2. Module Clip
3. T-Bolt
4. Tri-Drive Nut

### Trimrail™

#### Functions:

- Required front row structural support (with module clips)
- Module mounting
- Installation aid
- Aesthetic trim

#### Features:

- Mounts directly to L-feet
- Aligns and captures module leading edge
  - Supports discrete module thicknesses from 32, 33, 35, 38, and 40mm

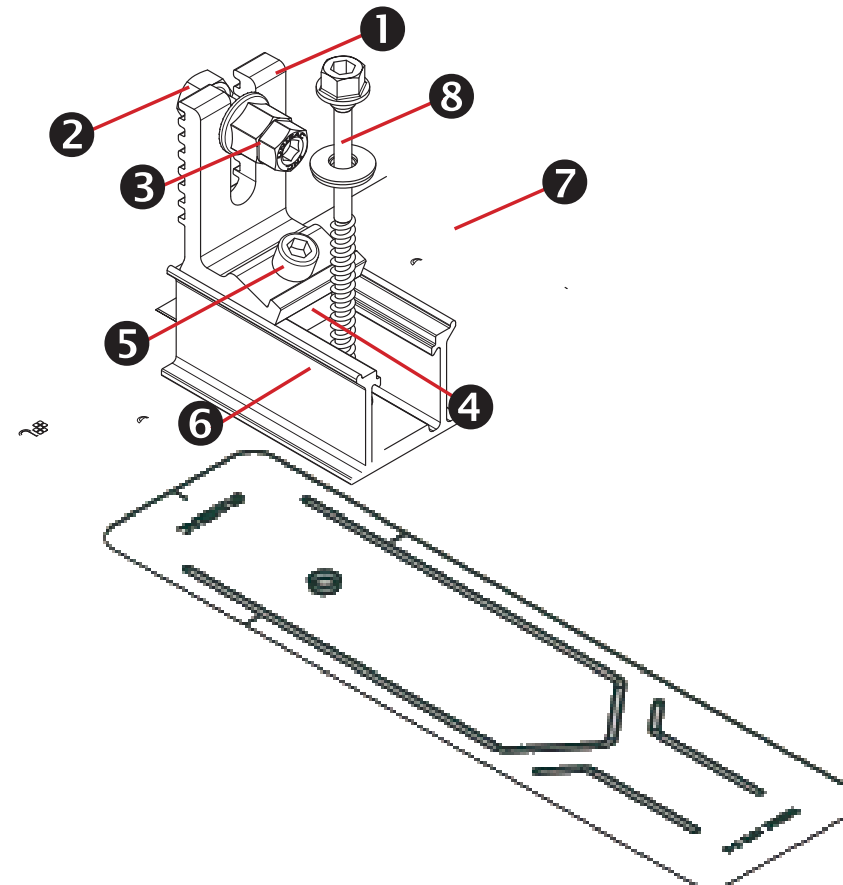
### Module Clips

#### Functions:

- Required front row structural support (with trimrail)
- Module mounting

#### Features:

- Mounts to Trimrail™ with T-bolt and tri-drive nut
- Manually adjustable to fit module thicknesses 32, 33, 35, 38, and 40mm.



### Trimrail™ Flashkit

#### Sub-Components:

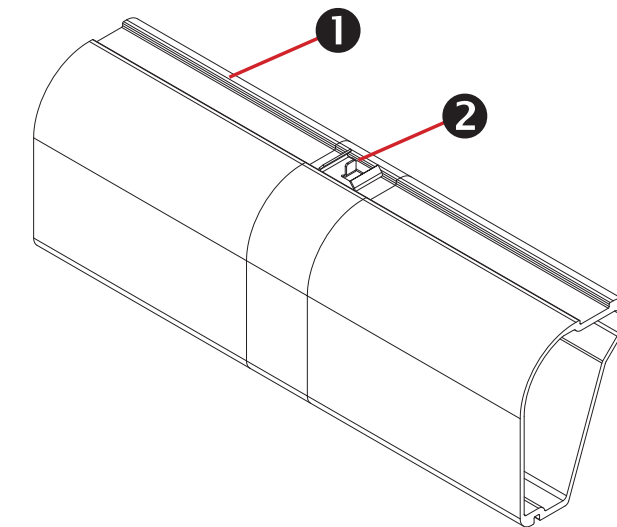
- L-Foot
- Hex bolt
- Tri-drive nut
- Channel Nut
- Socket Head Cap Screw
- 3\"Channel/Slider w/grommet
- 3\" Wide Flashing
- Structural Screw & SS EPDM Washer

#### Functions:

- Attach Trimrail™ to roof attachment / flashing
- Patented roof sealing technology at roof attachment point

#### Features:

- Slot provides vertical adjustments to level array
- Slider provides north/south adjustment along the slope of the roof
- Shed and Seal Technology



### Trimrail™ Splice

#### Sub-Components:

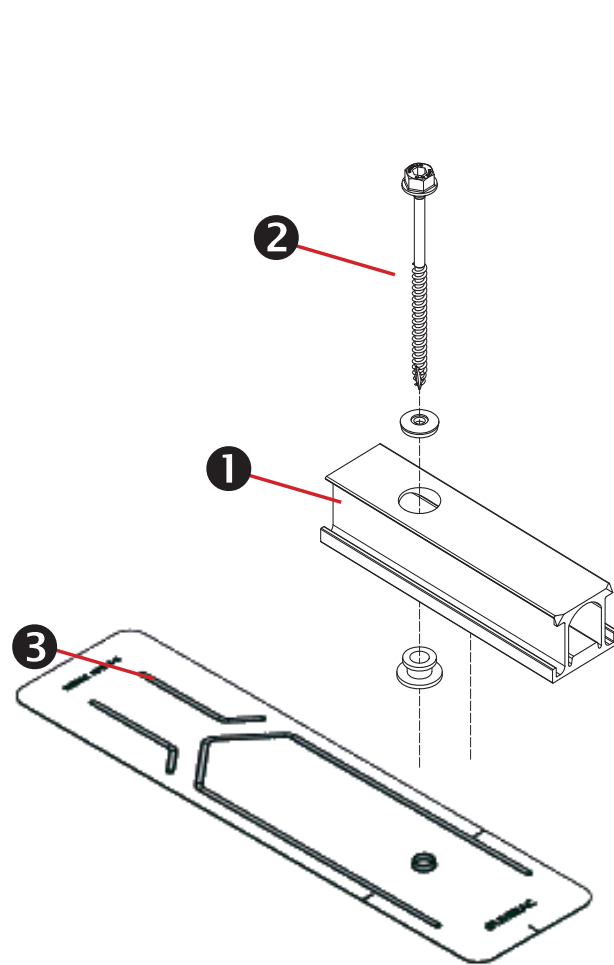
1. Structural Splice Extrusion
2. Bonding Clip

#### Functions:

- Front row structural support
- Installation aid
- Structurally connects 2 pieces of Trimrail™
- Electrically bonds 2 pieces of Trimrail™

#### Features:

- Aligns and connects Trimrail™ pieces
- Tool-less installation



### SFM Slider Flashkit

#### Sub-Components:

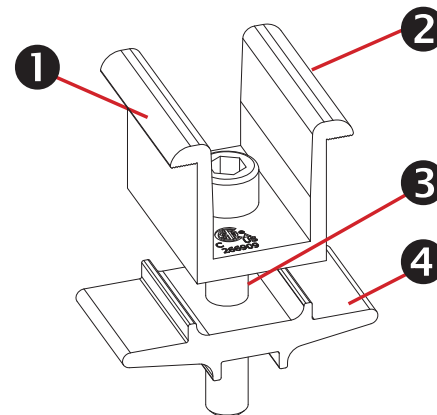
1. Slider w/grommet
2. Structural Screw & SS EPDM washer
3. 3" Wide Flashing

#### Functions:

- Patented Shed & Seal roof sealing technology at roof attachment point
- For use with compatible 2" Microrail or 8" Attached Splices

#### Features:

- Slider provides north/south adjustment along the slope of the roof
- Shed and Seal Technology



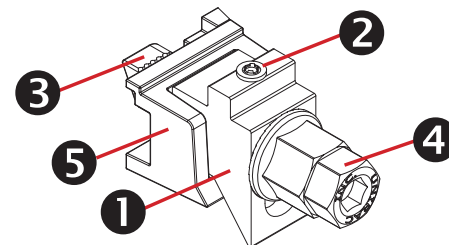
### Module-to-Module N-S Bonding

#### Sub-Components:

1. Clamp
2. Bonding Pins (2)
3. 5/16" Socket Head Cap Screw
4. Clamp Base

#### Functions/ Features:

- Row to row bonding
- Single Use Only
- Fits module sizes 32-40mm



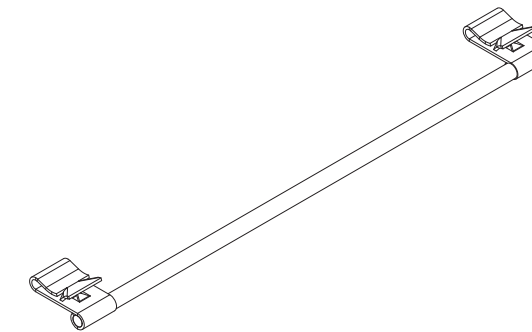
### Trim -to- Module Bonding Clamp and Floating Trim Clamp

#### Sub-Components:

1. Wedge
2. Bonding Pin
3. T-Bolt
4. Nut
5. Cast Base

#### Functions/ Features:

- Module to Trimrail™ bonding - single use only
- Attaches Trimrail™ to module when fewer than 2 rafter attachment points are available
- Fits module sizes 32-40mm
- Fits module sizes 32-40mm



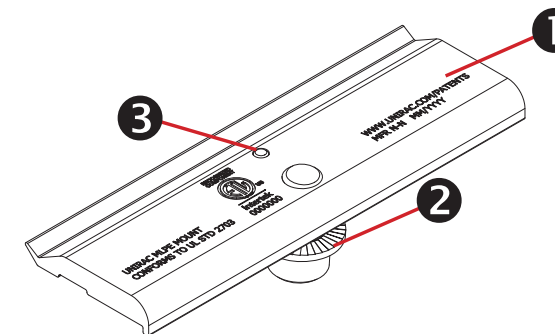
### Wire Bonding Clip w/ 8AWG

#### Functions:

- Row to row bonding
- Module to Trimrail™ bonding
- Single Use Only

#### Features:

- Tool-less installation



### MLPE Mounting Assembly

#### Sub-Components:

1. MLPE Mount Base
2. 5/16 Socket Head Cap Screw
3. Bonding Pin

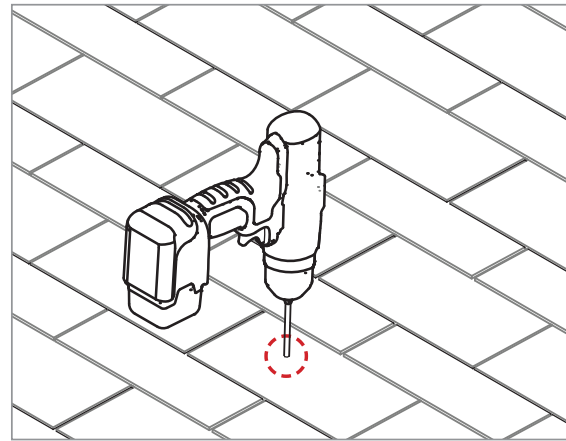
#### Functions:

- Securely mounts MLPE to module frames
- MLPE to module bonding

#### Features:

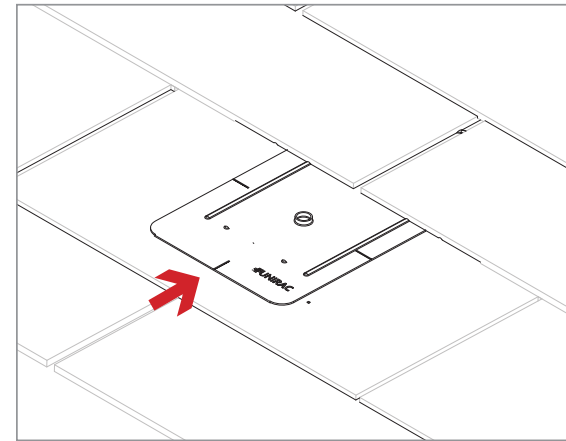
- Mounts easily to typical module flange
- UL2703 Recognized

MLPE = Module Level Power Electronics,  
e.g. microinverter or power optimizer



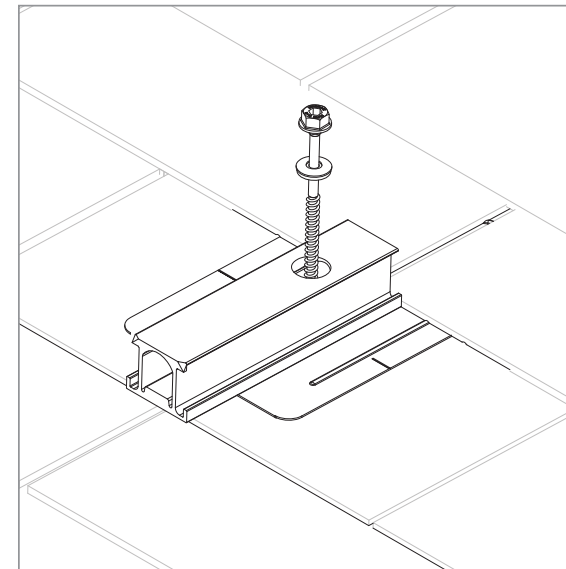
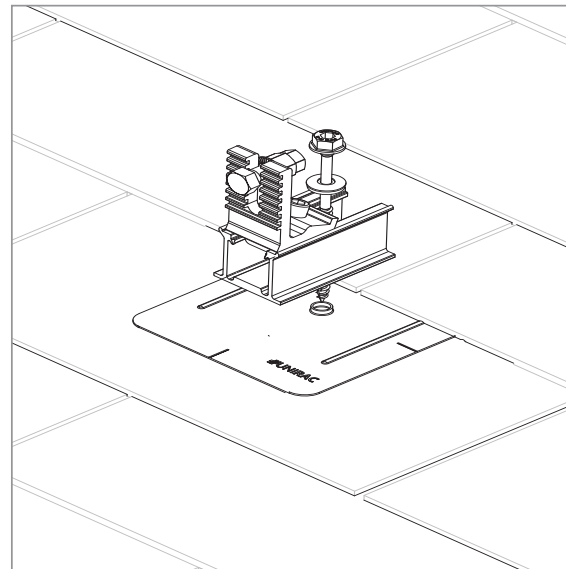
**PILOT HOLES:**

Drill pilot holes for lag screws or structural screws (as necessary) at marked attachment points



**FLASHINGS:**

Place flashings



**INSTALL SLIDERS AND TRIMRAIL ROOF ATTACHMENTS:**

- Insert flashings per manufacturer instructions
- **NOTE: Use Lag screw or structural fastener with a maximum diameter of 5/16"**
- Attach sliders to rafters
- Verify proper row to row spacing for module size (Mod NS + 1")
- Ensure that Trimrail™ roof attachments in each row have sufficient engagement with slider dovetails for proper attachment.

