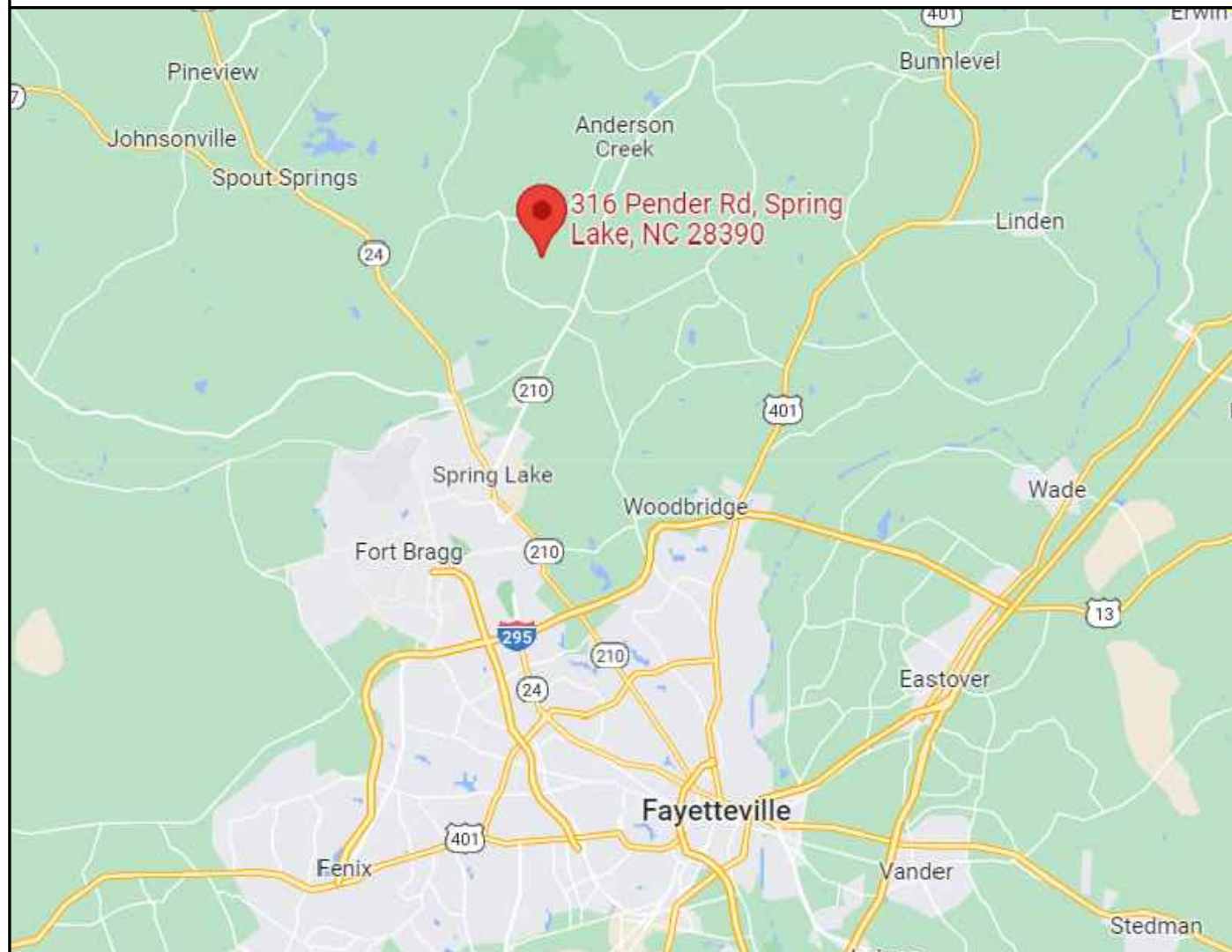


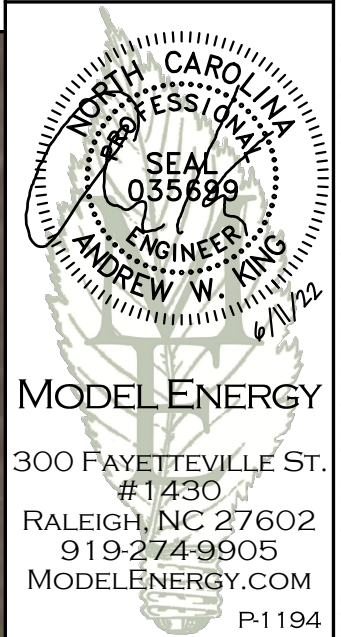
VICINITY MAP



PROPERTY MAP



ENGINEER:



MODEL ENERGY
 300 FAYETTEVILLE ST.
 #1430
 RALEIGH, NC 27602
 919-274-9905
 MODELENERGY.COM
 P-1194

JOB TITLE:

NEW SOLAR PV SYSTEM
 9.875 kW DC INPUT
 8.250 kW AC EXPORT
 Courtney Starks
 316 Pendar Rd.
 Spring Lake, NC 28390

CLIENT:

**SMARTSUN
 ENERGY**

ISSUED FOR:	DATE:
CONSTRUCTION	06/08/22

PROJECT INFORMATION

PV1.1

SCOPE OF WORK

(25) CANADIAN SOLAR, CS3N-395MS
 (25) ENPHASE IQ8M-72-2-US
 ROOF MOUNT: FLASHKIT PRO
 MOUNTING RAILS: UNIRAC LIGHT RAIL

SITE CONDITION

ASCE 7-10 WIND SPEED - 116 MPH
 EXPOSURE CATEGORY - B
 RISK CATEGORY - II

SHEET INDEX

PVI.1	PROJECT INFORMATION
PV2.1	SITE INFORMATION
PV3.1	STRUCTURAL INFORMATION
PV4.1-4.2	ELECTRICAL INFORMATION
PV5.1-5.3	EQUIPMENT SPEC SHEETS

INTERCONNECTIONS TYPE

LOAD SIDE TAP

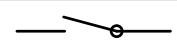



CODE REFERENCES

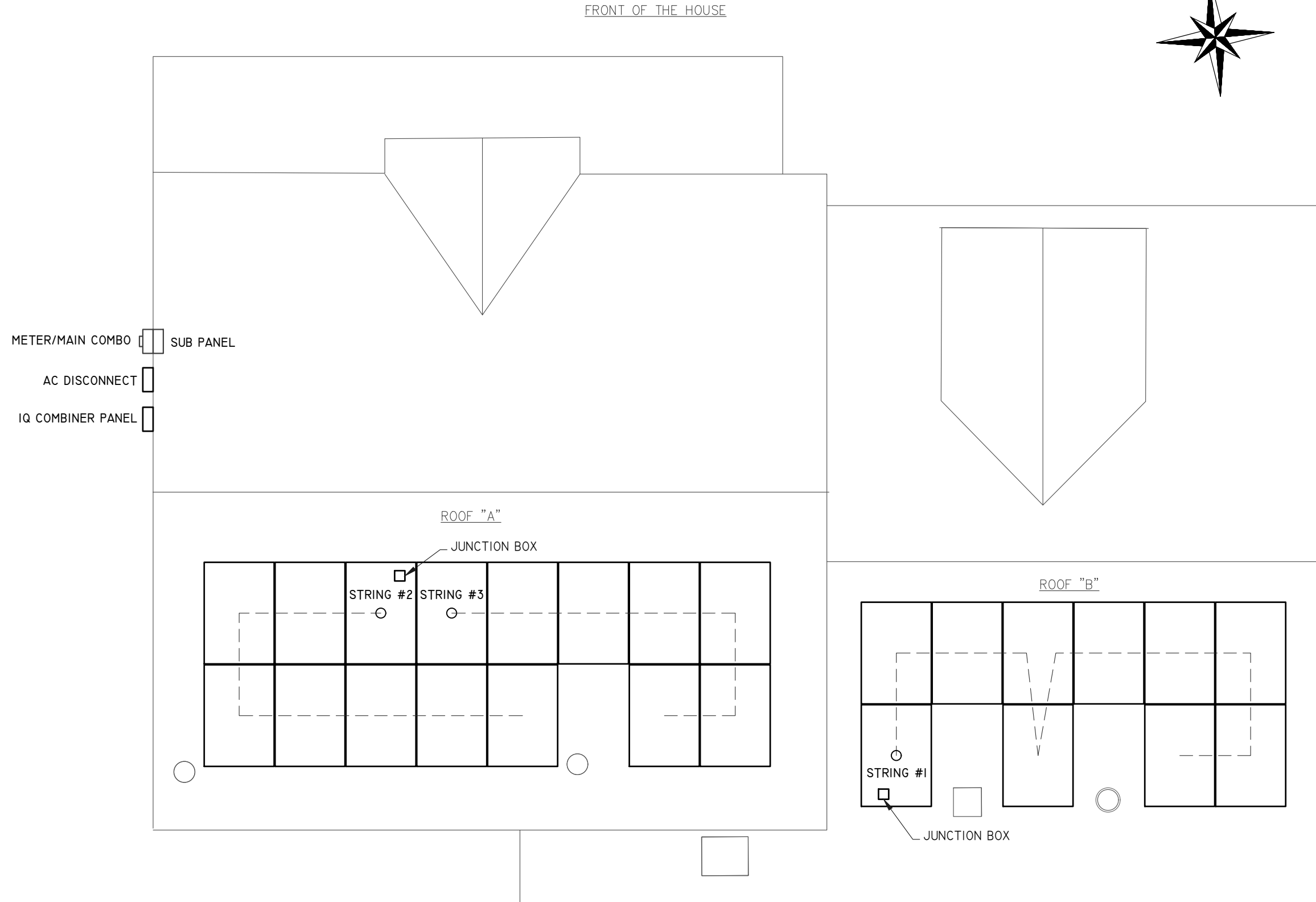
2017 NATIONAL ELECTRIC CODE
 2018 NORTH CAROLINA BUILDING CODE
 2018 NORTH CAROLINA RESIDENTIAL CODE
 2018 NORTH CAROLINA FIRE CODE

UTILITY COMPANY

DUKE ENERGY PROGRESS

LEGEND

-  DISCONNECT SWITCH
-  FUSE
-  CIRCUIT BREAKER
-  EQUIP. GROUND



1 SITE PLAN
SCALE: 3/16" = 1' -0"

ENGINEER:

MODEL ENERGY
300 FAYETTEVILLE ST.
#1430
RALEIGH, NC 27602
919-274-9905
MODELENERGY.COM
P-1194

JOB TITLE:

NEW SOLAR PV SYSTEM
9.875 kW DC INPUT
8.250 kW AC EXPORT

Courtney Starks
316 Pendar Rd.
Spring Lake, NC 28390

CLIENT:

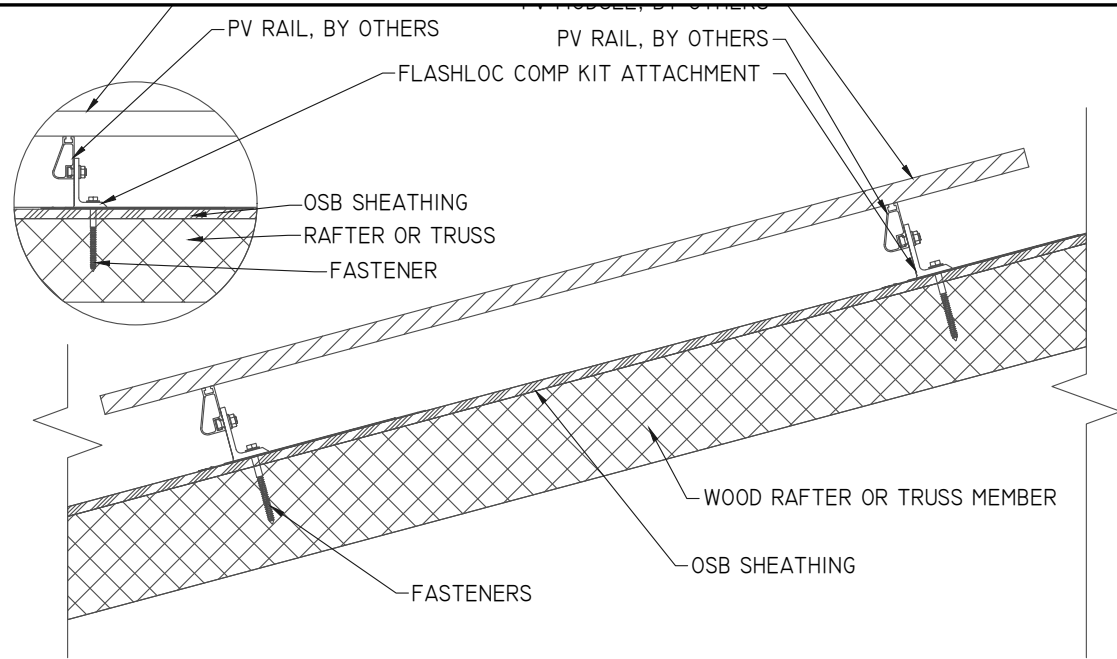
SMARTSUN ENERGY

ISSUED FOR:	DATE:
CONSTRUCTION	06/08/22

SITE INFORMATION

PV2.1

© 2022 MODEL ENERGY, PLLC EXPRESSLY RESERVES ITS COMMON LAW COPYRIGHT AND OTHER PROPERTY RIGHTS IN THESE PLANS. THESE PLANS ARE NOT TO BE REPRODUCED, CHANGED OR COPIED IN ANY FORM OR MANNER WHATSOEVER, NOR ARE THEY TO BE ASSIGNED TO ANY THIRD PARTY WITHOUT FIRST OBTAINING THE EXPRESSED WRITTEN PERMISSION AND CONSENT OF MODEL ENERGY, PLLC.



3 FASTENER DETAIL
SCALE: NTS

ROOF "A" ARRAY SUMMARY	
# MODULES	15
# ROOF MOUNTS	33
RAIL LENGTH	114 FT.
ARRAY AREA	147 SQFT.
ARRAY WEIGHT	900 LBS.
AZIMUTH @ SN	185°
TILT ANGLE	38°

ROOF "B" ARRAY SUMMARY	
# MODULES	10
# ROOF MOUNTS	27
RAIL LENGTH	75 FT.
ARRAY AREA	220 SQFT.
ARRAY WEIGHT	600 LBS.
AZIMUTH @ SN	185°
TILT ANGLE	38°

ROOFS "A" AND "B" ZONES:	
ALL ZONES	MAX. RAIL OVERHANG = 16"
□ ZONE 1	MAX. FASTENER SPAN ZONE 1 = 48"
▨ ZONE 2	MAX. FASTENER SPAN ZONE 2 = 48"
▩ ZONE 3	MAX. FASTENER SPAN ZONE 2 = 24"

STATEMENT OF STRUCTURAL COMPLIANCE

THE EXISTING ROOF STRUCTURE HAS BEEN DESIGNED TO SUPPORT THE ADDITIONAL LOADS OF THE PROPOSED PV SYSTEM. IN ADDITION, THE RACKING AND FASTENING SYSTEM SHALL BE CAPABLE OF SECURING THE SYSTEM TO THE STRUCTURE UNDER DESIGN CONDITIONS WHEN INSTALLED PROPERLY AND IN ACCORDANCE WITH THE RACKING AND FASTENING ARRANGEMENT DETAILED WITHIN THESE DRAWINGS.

SIGNED: *Andrew W. King*
NAME: ANDREW W. KING, PE
TITLE: PROFESSIONAL ENGINEER

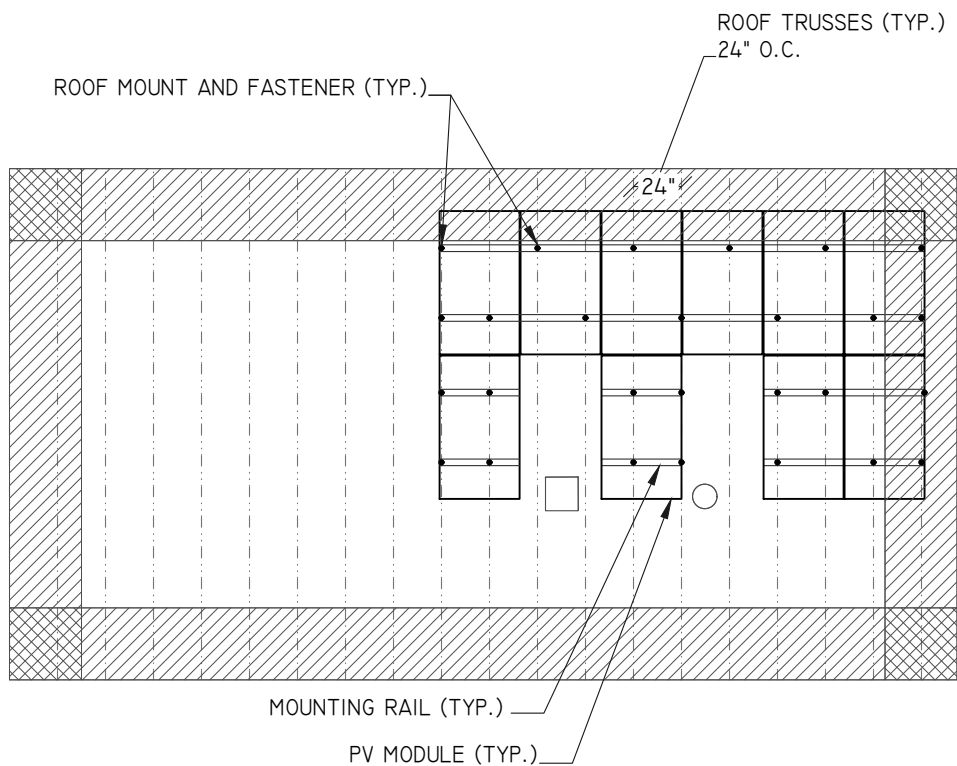
MOUNTING RAILS	
MAKE	UNIRAC
MODEL	SM LIGHT RAIL
MATERIAL	ALUMINUM
WEIGHT	0.49 LBS./FT.
SPACING	34 IN.

PV MODULES	
MAKE	CAN. SOLAR
MODEL	CS3N-395MS
WIDTH	41.3"
LENGTH	76.4"
THICKNESS	1.4"
WEIGHT	49.6 LBS

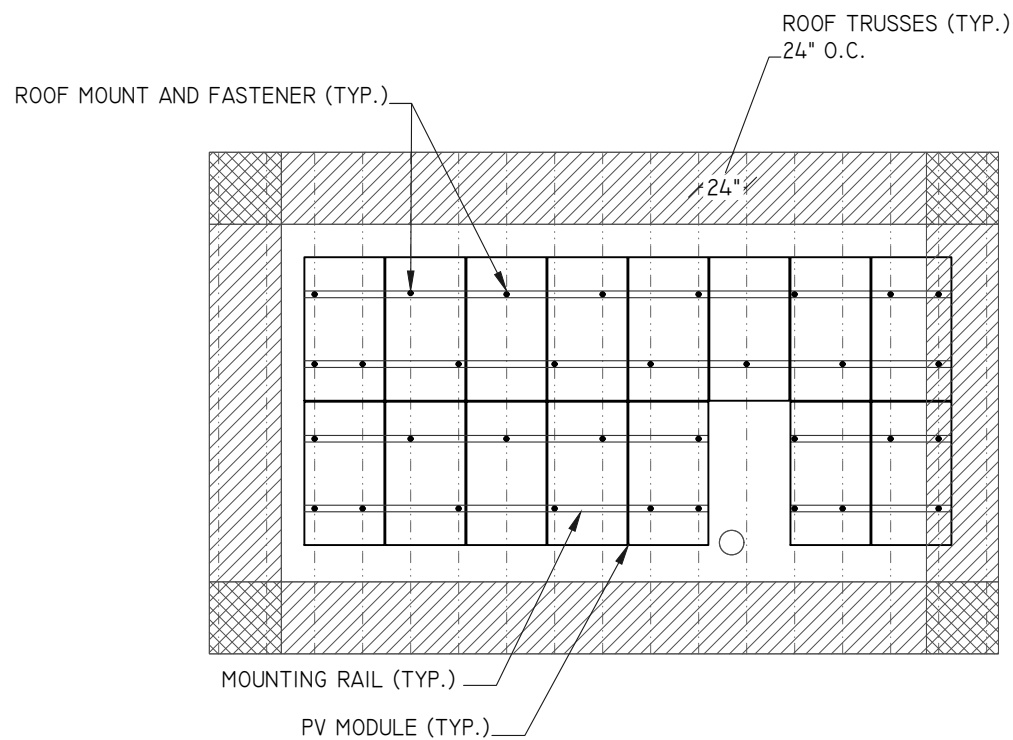
ROOF SUMMARY	
STRUCTURE:	
TYPE	TRUSS
MATERIAL	SOUTHERN PINE #2
SIZE	2" X 4"
SPACING	24" o.c.
EFF. SPAN - ROOF "A"	16'-5"
EFF. SPAN - ROOF "B"	16'-9"
PITCH	9 / 12
DENSITY	30 LBS./CU.FT.
DECKING:	
TYPE	OSB
MATERIAL	WOOD COMPOSITE
THICKNESS	7/16"
WEIGHT	1.6 LBS./SQFT.
ROOFING:	
TYPE	ARCH SHINGLE
MATERIAL	ASPHALT
WEIGHT	2.3 LBS./SQFT.

ROOFS "A" AND "B" LOADING	
GROUND SNOW LOAD:	15 LBS./SQFT.
LIVE LOAD:	20 LBS./SQFT.
DEAD LOAD:	
ROOFING	3.9 LBS./SQFT.
PV ARRAY	2.8 LBS./SQFT.
TOTAL	6.7 LBS./SQFT.
WIND LOAD:	
UPLIFT ZONE 1	-24.6 LBS./SQFT.
UPLIFT ZONE 2	-29.0 LBS./SQFT.
UPLIFT ZONE 3	-29.0 LBS./SQFT.
DOWNWARD	23.0 LBS./SQFT.
FASTENER LOAD:	
UPLIFT ZONE 1	-313 LBS.
UPLIFT ZONE 2	-185 LBS.
UPLIFT ZONE 3	-185 LBS.
DOWNWARD	293 LBS.

ROOF MOUNT & FASTENER	
ROOF MOUNT:	
MAKE	UNIRAC
MODEL	FLASHKIT PRO
MATERIAL	ALUMINUM
FASTENER	
MAKE	GENERIC
MODEL	LAG BOLT
MATERIAL	SS LAG W/EPDM WASHER
SIZE	5/16" x 4"
GENERAL	
WEIGHT	1 LBS
FASTENERS PER MOUNT	1 PER MOUNT
MAX. PULL-OUT FORCE	800 LBS.
SAFETY FACTOR	2
DESIGN PULL-OUT FORCE	400 LBS.



2 ROOF "B" PLANAR VIEW
SCALE: 1/8" = 1' -0"



1 ROOF "A" PLANAR VIEW
SCALE: 1/8" = 1' -0"

ENGINEER:

MODEL ENERGY
300 FAYETTEVILLE ST.
#1430
RALEIGH, NC 27602
919-274-9905
MODELENERGY.COM
P-1194

JOB TITLE:

NEW SOLAR PV SYSTEM
9.875 kW DC INPUT
8.250 kW AC EXPORT

Courtney Starks
316 Pendar Rd.
Spring Lake, NC 28390

CLIENT:

SMARTSUN ENERGY

ISSUED FOR:	DATE:
CONSTRUCTION	06/08/22

STRUCTURAL INFORMATION

PV3.1

- LAG BOLT EMBEDDED WITH 2.5" OF THREAD IN WOOD RAFTER OR TRUSSES MEMBER

PV MODULES	
MAKE	CAN. SOLAR
MODEL	CS3N-395MS
TECHNOLOGY	MONO-CRYST.
NOM. POWER (Pnom)	395 WATTS
NOM. VOLT. (Vmp)	37.0 VOLTS
O.C. VOLT. (Voc)	44.3 VOLTS
MAX. SYS. VOLT.	1000 V (UL)
TEMP. COEF. (Vtc)	-0.27 %/°C
NOM. CURR. (Imp)	10.68 AMPS
S.C. CURR. (Isc)	11.44 AMPS
MAX. SERIES FUSE	20 AMPS

JUNCTION BOX	
MAKE	SOLADECK
MODEL	0783-3R
PRO. RATING	NEMA 3R
VOLT. RATING	600 VOLTS
AMP RATING	120 AMPS
UL LISTING	UL 50

SUB PANEL (EXISTING)	
MAKE	GENERIC
MODEL	N/A
ENCL. RATING	NEMA 3R
VOLT. RATING	240 VOLTS
BUS RATING	200 AMPS
UL LIST. (Y/N)	YES
MAIN BREAKER (Y/N)	YES
BREAKER RATING	200 AMPS

DC/AC INVERTER	
MAKE	ENPHASE ENERGY
MODEL	IQ8M-72-2-US
TECHNOLOGY	MICRO INVERTER
DC INPUT:	
MAX. POWER	460 WATTS
VOLT. RANGE	33-45 VOLTS
MAX. CURRENT	15 AMPS
AC OUTPUT:	
NOM. POWER	330 WATTS
NOM. VOLT.	240 VOLTS
MAX. CURR.	1.35 AMPS
GFP (Y/N)	YES
GFCI (Y/N)	YES
AFCI (Y/N)	YES
DC DISC. (Y/N)	NO
RAPID SHUTDOWN	YES
PROTECT. RATING	NEMA 6R

IQ4 COMBINER PANEL (NEW)	
MAKE	N/A
MODEL	N/A
ENCL. RATING	NEMA 3R
VOLT. RATING	240 VOLTS
BUS RATING	125 AMPS
UL LIST. (Y/N)	YES
MAIN BREAKER (Y/N)	NO
BREAKER RATING	N/A

NOTES:

- BACK-FEED INVERTER OUTPUT VIA (2) 15A & (1) 20A BREAKERS AT THE OPPOSITE END OF THE BUS BAR FROM MAIN BREAKER.
- PROVIDE "FED BY MULTIPLE POWER SOURCES" LABEL.

CONDUCTOR SCHEDULE													
TAG	CURRENT CARRYING CONDUCTORS				GROUNDING CONDUCTORS				CONDUIT/RACEWAY			NOTES	
	QTY.	SIZE	MATERIAL	INSULATION	QTY.	SIZE	MATERIAL	INSULATION	QTY.	SIZE	MATERIAL		LOCATION
C1	2	10 AWG	COPPER	PV WIRE	1	6 AWG	COPPER	BARE	-	-	-	FREE AIR	1
C2	2	10 AWG	COPPER	MANU CAB.	1	10 AWG	COPPER	MANU CAB.	-	-	-	FREE AIR	2,4
C3.1	2	12 AWG	COPPER	THWN-2	1	10 AWG	COPPER	THWN-2	1	1/2"	FMC/EMT/MC	EXT/INT	2,4
C3.2	4	12 AWG	COPPER	THWN-2	1	10 AWG	COPPER	THWN-2	1	1/2"	FMC/EMT/MC	EXT/INT	2,4
C4	3	8 AWG	COPPER	THWN-2	1	10 AWG	COPPER	THWN-2	1	3/4"	NOTE 5	EXT	2,4,5
C5	3	8 AWG	COPPER	THWN	1	6 AWG	COPPER	THWN	1	1"	NOTE 5	EXTERIOR	2,4,5,6
XC	-	-	-	-	-	-	-	-	-	-	-	-	3

NOTES:

- MANUFACTURER PROVIDED, UL LISTED WIRING HARNESS FOR USE ON EXPOSED ROOFS
- CONDUIT SIZE SHOWN IS CODE MINIMUM. LARGER SIZES ARE ALLOWED.
- EXISTING CONDUCTORS, FIELD VERIFY
- EQUIPMENT TERMINAL RATING SHALL BE A MINIMUM OF 75°C AT BOTH END OF CONDUCTOR
- PVC, EMT, ROMEX, LFNMC & FMC ARE ACCEPTABLE WHEN USED IN ACCORDANCE WITH ARTICLES 330, 334, 348, 350, 352, 356, & 358 OF THE 2017 NEC
- SERVICE CONDUCTORS SHALL NOT TRAVEL MORE THAN 5' INSIDE OF THE BUILDING AND MORE THAN 10' IN TOTAL.

AC DISCONNECT	
MAKE	GE
MODEL	N/A
ENCL. RATING	NEMA 3R
VOLT. RATING	240 VOLTS
AMP RATING	60 AMPS
UL LIST. (Y/N)	YES
FUSED (Y/N)	YES
FUSE RATING	45 AMPS

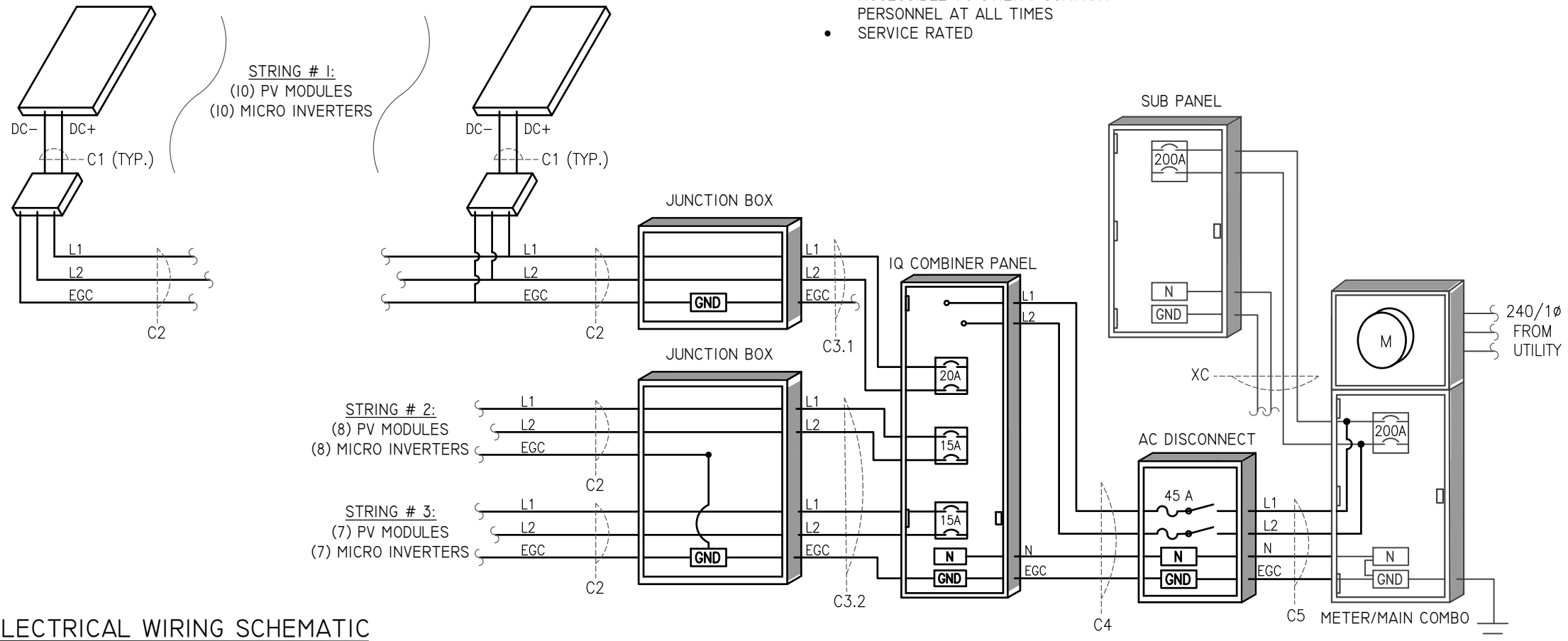
NOTES:

- LOAD-BREAK RATED
- VISIBLE OPEN
- LOCKABLE IN OPEN POSITION
- INSTALL ADJACENT TO METER
- DISCONNECT TO BE READILY ACCESSIBLE TO UTILITY COMPANY PERSONNEL AT ALL TIMES
- SERVICE RATED

METER/MAIN COMBO (EXISTING)	
MAKE	N/A
MODEL	N/A
ENCL. RATING	NEMA 3R
VOLT. RATING	240 VOLTS
BUS RATING	200 AMPS
UL LIST. (Y/N)	YES
MAIN BREAKER (Y/N)	YES
BREAKER RATING	200 AMPS

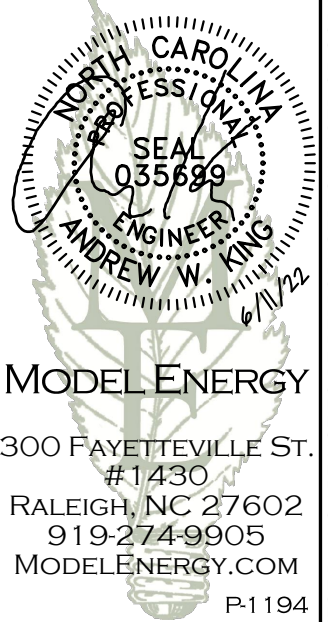
NOTES:

- BACK-FEED SOLAR OUTPUT VIA LOAD SIDE TAP IN METER/MAIN COMBO.



1 PV SYSTEM ELECTRICAL WIRING SCHEMATIC
SCALE: NTS

ENGINEER:



MODEL ENERGY

300 FAYETTEVILLE ST.
#1430
RALEIGH, NC 27602
919-274-9905
MODELENERGY.COM

P-1194

JOB TITLE:

NEW SOLAR PV SYSTEM
9.875 kW DC INPUT
8.250 kW AC EXPORT
Courtney Starks
316 Pendar Rd.
Spring Lake, NC 28390

CLIENT:

SMARTSUN
ENERGY

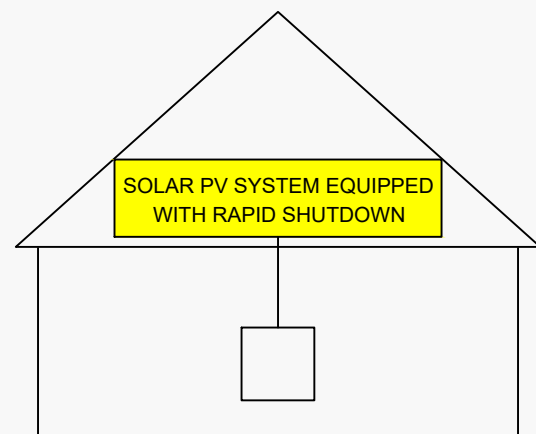
ISSUED FOR: CONSTRUCTION
DATE: 06/08/22

ELECTRICAL
INFORMATION

PV4.1

SOLAR PV SYSTEM EQUIPPED WITH RAPID SHUTDOWN

TURN RAPID SHUTDOWN SWITCH TO THE "OFF" POSITION TO SHUT DOWN PV SYSTEM AND REDUCE SHOCK HAZARD IN THE ARRAY



NEC 690.56 (C)(1)(a)

PLACE WITHIN 3FT OF SERVICE DISCONNECTING MEANS TO WHICH THE PV SYSTEMS ARE CONNECTED AND SHALL INDICATE THE LOCATIONS OF RAPID SHUTDOWN SWITCHES

WARNING: PHOTOVOLTAIC POWER SOURCE

NEC 690.31 (G)(3)&(4)

PLACE ON ALL JUNCTION BOXES, EXPOSED RACEWAYS, AND OTHER WIRING METHODS EVERY 10' AND ON EVERY SECTION SEPARATED BY ENCLOSURES, WALLS, PARTITIONS, CEILINGS, OR FLOORS.

RAPID SHUTDOWN SWITCH FOR SOLAR PV SYSTEM

NEC 690.56 (C)(3)

PLACE ON RAPID SHUTDOWN SWITCH OR EQUIPMENT WITH INTEGRATED RAPID SHUTDOWN *REFLECTIVE*

PV SYSTEM DISCONNECT

NEC 690.13 (B)

PLACE ON PV SYSTEM DISCONNECTING MEANS.

WARNING

DUAL POWER SUPPLY

SOURCES: UTILITY GRID AND PV SOLAR ELECTRIC SYSTEM

NEC 705.12 (B)(3)

PLACE ON ALL EQUIPMENT THAT IS SUPPLIED BY BOTH POWER SOURCES

WARNING

FED BY MULTIPLE POWER SOURCES

TOTAL RATING OF ALL OVERCURRENT DEVICES EXCLUDING UTILITY OVERCURRENT DEVICE SHALL NOT EXCEED AMPACITY OF BUSBAR

NEC 705.12 (B)(2)(3)(c)

PLACE ADJACENT TO BACK-FED BREAKER

EQUIPMENT LABEL NOTES

1. LABELS SHOWN ARE IN THEIR ACTUAL REQUIRED SIZE.
2. LABEL MATERIAL SHALL BE SUITABLE FOR THE EQUIPMENT ENVIRONMENT.
3. CONDUIT SHALL BE MARKED WITH REQUIRED LABEL EVERY 10 FEET.

WARNING

ELECTRIC SHOCK HAZARD

TERMINALS ON THE LINE AND LOAD SIDES MAY BE ENERGIZED IN THE OPEN POSITION

NEC 690.13 (B)

PLACE ON PV SYSTEM DISCONNECTING MEANS.

WARNING

POWER SOURCE OUTPUT CONNECTION DO NOT RELOCATE THIS OVERCURRENT DEVICE

NEC 705.12 (B)(2)(3)(b)

PLACE ADJACENT TO BACK-FED BREAKER

PHOTOVOLTAIC POWER SOURCE

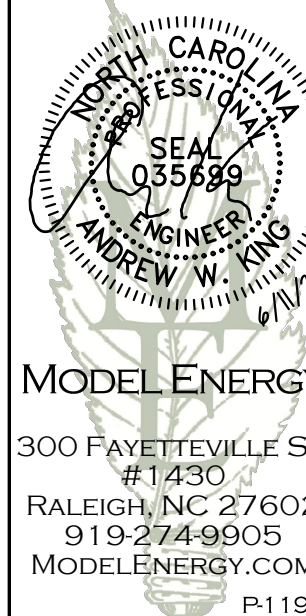
OPERATING AC VOLT. 240 VAC

MAXIMUM OPERATING AC OUTPUT CURRENT 33.8 AMPS

NEC 690.54

PLACE ON INTERCONNECTION DISCONNECTING MEANS

ENGINEER:



MODEL ENERGY

300 FAYETTEVILLE ST. #1430
RALEIGH, NC 27602
919-274-9905
MODELENERGY.COM
P-1194

JOB TITLE:

NEW SOLAR PV SYSTEM
9.875 kW DC INPUT
8.250 kW AC EXPORT
Courtney Starks
316 Pendar Rd.
Spring Lake, NC 28390

CLIENT:

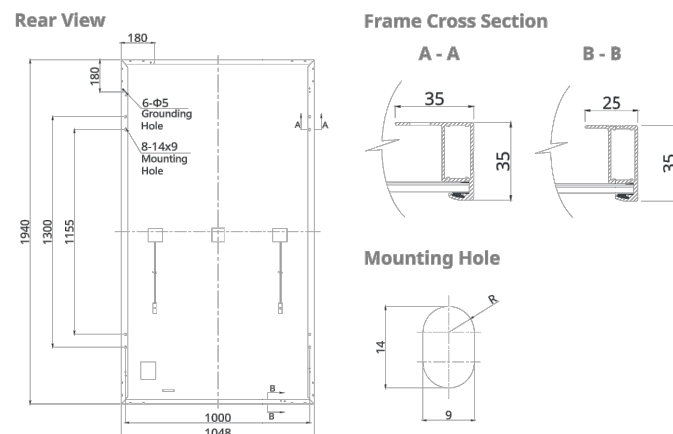
SMARTSUN ENERGY

ISSUED FOR:	DATE:
CONSTRUCTION	06/08/22

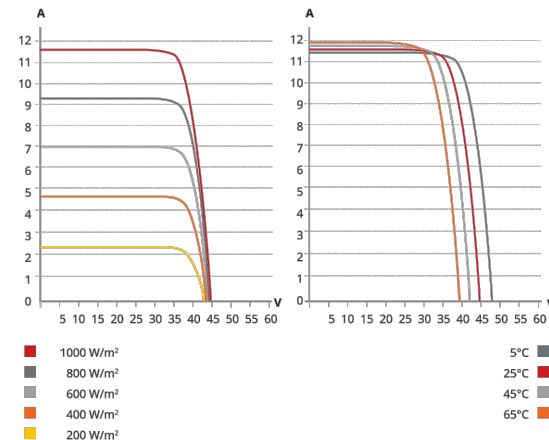
ELECTRICAL INFORMATION/LABELS

PV4.2

ENGINEERING DRAWING (mm)



CS3N-400MS / I-V CURVES



ELECTRICAL DATA | STC*

CS3N	380MS	385MS	390MS	395MS	400MS
Nominal Max. Power (Pmax)	380 W	385 W	390 W	395 W	400 W
Opt. Operating Voltage (Vmp)	36.4 V	36.6 V	36.8 V	37.0 V	37.2 V
Opt. Operating Current (Imp)	10.44 A	10.52 A	10.60 A	10.68 A	10.76 A
Open Circuit Voltage (Voc)	43.7 V	43.9 V	44.1 V	44.3 V	44.5 V
Short Circuit Current (Isc)	11.26 A	11.32 A	11.38 A	11.44 A	11.50 A
Module Efficiency	18.7%	18.9%	19.2%	19.4%	19.7%
Operating Temperature	-40°C ~ +85°C				
Max. System Voltage	1000V (IEC/UL)				

Module Fire Performance	TYPE 1 (UL 61730 1500V) or TYPE 2 (UL 61730 1000V) or CLASS C (IEC 61730)				
Max. Series Fuse Rating	20 A				
Application Classification	Class A				
Power Tolerance	0 ~ + 10 W				

* Under Standard Test Conditions (STC) of irradiance of 1000 W/m², spectrum AM 1.5 and cell temperature of 25°C.

ELECTRICAL DATA | NMOT*

CS3N	380MS	385MS	390MS	395MS	400MS
Nominal Max. Power (Pmax)	283 W	287 W	291 W	295 W	298 W
Opt. Operating Voltage (Vmp)	33.9 V	34.1 V	34.3 V	34.5 V	34.7 V
Opt. Operating Current (Imp)	8.36 A	8.42 A	8.49 A	8.56 A	8.6 A
Open Circuit Voltage (Voc)	41.1 V	41.3 V	41.5 V	41.7 V	41.9 V
Short Circuit Current (Isc)	9.08 A	9.13 A	9.18 A	9.23 A	9.28 A

* Under Nominal Module Operating Temperature (NMOT), irradiance of 800 W/m²-spectrum AM 1.5, ambient temperature 20°C, wind speed 1 m/s.

MECHANICAL DATA

Specification	Data
Cell Type	Mono-crystalline
Cell Arrangement	132 [2 X (11 X 6)]
Dimensions	1940 X 1048 X 35 mm (76.4 X 41.3 X 1.38 in)
Weight	22.5 kg (49.6 lbs)
Front Cover	3.2 mm tempered glass
Frame	Anodized aluminium alloy
J-Box	IP68, 3 bypass diodes
Cable	4 mm² (IEC), 12 AWG (UL)
Cable Length (Including Connector)	Portrait: 400 mm (15.7 in) (+) / 280 mm (11.0 in) (-); landscape: 1250 mm (49.2 in)*
Connector	T4 series or MC4
Per Pallet	30 pieces

Per Container (40' HQ) 720 pieces
 * For detailed information, please contact your local Canadian Solar sales and technical representatives.

TEMPERATURE CHARACTERISTICS

Specification	Data
Temperature Coefficient (Pmax)	-0.35 % / °C
Temperature Coefficient (Voc)	-0.27 % / °C
Temperature Coefficient (Isc)	0.05 % / °C
Nominal Module Operating Temperature	42 ± 3°C

PARTNER SECTION



* The specifications and key features contained in this datasheet may deviate slightly from our actual products due to the on-going innovation and product enhancement. CSI Solar Co., Ltd. reserves the right to make necessary adjustment to the information described herein at any time without further notice. Please be kindly advised that PV modules should be handled and installed by qualified people who have professional skills and please carefully read the safety and installation instructions before using our PV modules.

Enphase IQ Combiner 4/4C

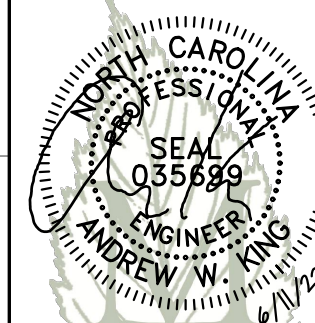
MODEL NUMBER	
IQ Combiner 4 (X-IQ-AM1-240-4)	IQ Combiner 4 with Enphase IQ Gateway printed circuit board for integrated revenue grade PV production metering (ANSI C12.20 +/- 0.5%) and consumption monitoring (+/- 2.5%). Includes a silver solar shield to match the IQ Battery system and IQ System Controller 2 and to deflect heat.
IQ Combiner 4C (X-IQ-AM1-240-4C)	IQ Combiner 4C with Enphase IQ Gateway printed circuit board for integrated revenue grade PV production metering (ANSI C12.20 +/- 0.5%) and consumption monitoring (+/- 2.5%). Includes Enphase Mobile Connect cellular modem (CELLMODEM-M1-06-SP-05), a plug-and-play industrial-grade cell modem for systems up to 60 microinverters. (Available in the US, Canada, Mexico, Puerto Rico, and the US Virgin Islands, where there is adequate cellular service in the installation area.) Includes a silver solar shield to match the IQ Battery and IQ System Controller and to deflect heat.
ACCESSORIES AND REPLACEMENT PARTS	(not included, order separately)
Ensemble Communications Kit COMMS-CELLMODEM-M1-06 CELLMODEM-M1-06-SP-05 CELLMODEM-M1-06-AT-05	- Includes COMMS-KIT-01 and CELLMODEM-M1-06-SP-05 with 5-year Sprint data plan for Ensemble sites - 4G based LTE-M1 cellular modem with 5-year Sprint data plan - 4G based LTE-M1 cellular modem with 5-year AT&T data plan
Circuit Breakers BRK-10A-2-240V BRK-15A-2-240V BRK-20A-2P-240V BRK-15A-2P-240V-B BRK-20A-2P-240V-B	Supports Eaton BR210, BR215, BR220, BR230, BR240, BR250, and BR260 circuit breakers. Circuit breaker, 2 pole, 10A, Eaton BR210 Circuit breaker, 2 pole, 15A, Eaton BR215 Circuit breaker, 2 pole, 20A, Eaton BR220 Circuit breaker, 2 pole, 15A, Eaton BR215B with hold down kit support Circuit breaker, 2 pole, 20A, Eaton BR220B with hold down kit support
EPLC-01	Power line carrier (communication bridge pair), quantity - one pair
XA-SOLARSHIELD-ES	Replacement solar shield for IQ Combiner 4/4C
XA-PLUG-120-3	Accessory receptacle for Power Line Carrier in IQ Combiner 4/4C (required for EPLC-01)
XA-ENV-PCBA-3	Replacement IQ Gateway printed circuit board (PCB) for Combiner 4/4C
X-IQ-NA-HD-125A	Hold down kit for Eaton circuit breaker with screws.
ELECTRICAL SPECIFICATIONS	
Rating	Continuous duty
System voltage	120/240 VAC, 60 Hz
Eaton BR series busbar rating	125 A
Max. continuous current rating	65 A
Max. continuous current rating (input from PV/storage)	64 A
Max. fuse/circuit rating (output)	90 A
Branch circuits (solar and/or storage)	Up to four 2-pole Eaton BR series Distributed Generation (DG) breakers only (not included)
Max. total branch circuit breaker rating (input)	80A of distributed generation / 95A with IQ Gateway breaker included
Production metering CT	200 A solid core pre-installed and wired to IQ Gateway
Consumption monitoring CT (CT-200-SPLIT)	A pair of 200 A split core current transformers
MECHANICAL DATA	
Dimensions (WxHxD)	37.5 x 49.5 x 16.8 cm (14.75" x 19.5" x 6.63"). Height is 21.06" (53.5 cm) with mounting brackets.
Weight	7.5 kg (16.5 lbs)
Ambient temperature range	-40° C to +46° C (-40° to 115° F)
Cooling	Natural convection, plus heat shield
Enclosure environmental rating	Outdoor, NRTL-certified, NEMA type 3R, polycarbonate construction
Wire sizes	• 20 A to 50 A breaker inputs: 14 to 4 AWG copper conductors • 60 A breaker branch input: 4 to 1/0 AWG copper conductors • Main lug combined output: 10 to 2/0 AWG copper conductors • Neutral and ground: 14 to 1/0 copper conductors Always follow local code requirements for conductor sizing.
Altitude	To 2000 meters (6,560 feet)
INTERNET CONNECTION OPTIONS	
Integrated Wi-Fi	802.11b/g/n
Cellular	CELLMODEM-M1-06-SP-05, CELLMODEM-M1-06-AT-05 (4G based LTE-M1 cellular modem). Note that an Enphase Mobile Connect cellular modem is required for all Ensemble installations.
Ethernet	Optional, 802.3, Cat5E (or Cat 6) UTP Ethernet cable (not included)
COMPLIANCE	
Compliance, IQ Combiner	UL 1741, CAN/CSA C22.2 No. 107.1, 47 CFR, Part 15, Class B, ICES 003 Production metering: ANSI C12.20 accuracy class 0.5 (PV production) Consumption metering: accuracy class 2.5
Compliance, IQ Gateway	UL 60601-1/CANCSA 22.2 No. 61010-1

To learn more about Enphase offerings, visit enphase.com

© 2021 Enphase Energy. All rights reserved. Enphase, the Enphase logo, IQ Combiner 4/4C, and other names are trademarks of Enphase Energy, Inc. Data subject to change. 10-21-2021



ENGINEER:



MODEL ENERGY

300 FAYETTEVILLE ST.
 #1430
 RALEIGH, NC 27602
 919-274-9905
 MODELENERGY.COM
 P-1194

JOB TITLE:

NEW SOLAR PV SYSTEM
 9.875 kW DC INPUT
 8.250 kW AC EXPORT
 Courtney Starks
 316 Pendar Rd.
 Spring Lake, NC 28390

CLIENT:

SMARTSUN
 ENERGY

ISSUED FOR: DATE:
 CONSTRUCTION 06/08/22

LABELS,
 DETAILS & SPECS

PV5.1

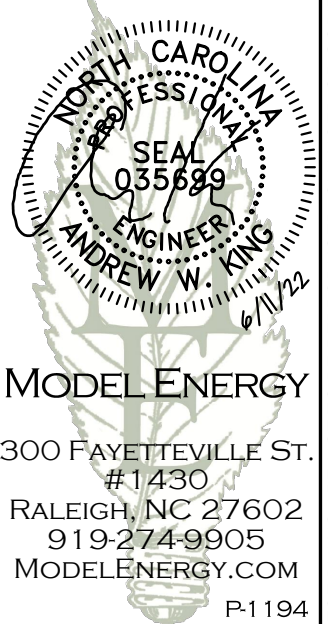
© 2022 MODEL ENERGY, PLLC EXPRESSLY RESERVES ITS COMMON LAW COPYRIGHT AND OTHER PROPERTY RIGHTS IN THESE PLANS. THESE PLANS ARE NOT TO BE REPRODUCED, CHANGED OR COPIED IN ANY FORM OR MANNER WHATSOEVER, NOR ARE THEY TO BE ASSIGNED TO ANY THIRD PARTY WITHOUT FIRST OBTAINING THE EXPRESSED WRITTEN PERMISSION AND CONSENT OF MODEL ENERGY, PLLC.

IQ8 Series Microinverters

INPUT DATA (DC)		IQ8-60-2-US	IQ8PLUS-72-2-US	IQ8M-72-2-US	IQ8A-72-2-US	IQ8H-240-72-2-US	IQ8H-208-72-2-US ¹	
Commonly used module pairings ²	W	235 – 350	235 – 440	260 – 460	295 – 500	320 – 540+	295 – 500+	
Module compatibility		60-cell/120 half-cell, 66-cell/132 half-cell and 72-cell/144 half-cell						
MPPT voltage range	V	27 – 37	29 – 45	33 – 45	36 – 45	38 – 45	38 – 45	
Operating range	V	25 – 48		25 – 58				
Min/max start voltage	V	30 / 48		30 / 58				
Max input DC voltage	V	50		60				
Max DC current ³ [module Isc]	A			15				
Overvoltage class DC port				II				
DC port backfeed current	mA			0				
PV array configuration		1x1 Ungrounded array; No additional DC side protection required; AC side protection requires max 20A per branch circuit						
OUTPUT DATA (AC)		IQ8-60-2-US	IQ8PLUS-72-2-US	IQ8M-72-2-US	IQ8A-72-2-US	IQ8H-240-72-2-US	IQ8H-208-72-2-US ¹	
Peak output power	VA	245	300	330	366	384	366	
Max continuous output power	VA	240	290	325	349	380	360	
Nominal (L-L) voltage/range ⁴	V	240 / 211 – 264					208 / 183 – 250	
Max continuous output current	A	1.0	1.21	1.35	1.45	1.58	1.73	
Nominal frequency	Hz	60						
Extended frequency range	Hz	50 – 68						
AC short circuit fault current over 3 cycles	Arms	2					4.4	
Max units per 20 A (L-L) branch circuit ⁵		16	13	11	11	10	9	
Total harmonic distortion		<5%						
Overvoltage class AC port		III						
AC port backfeed current	mA	30						
Power factor setting		1.0						
Grid-tied power factor (adjustable)		0.85 leading – 0.85 lagging						
Peak efficiency	%	97.5	97.6	97.6	97.6	97.6	97.4	
CEC weighted efficiency	%	97	97	97	97.5	97	97	
Night-time power consumption	mW	60						
MECHANICAL DATA								
Ambient temperature range		-40°C to +60°C (-40°F to +140°F)						
Relative humidity range		4% to 100% (condensing)						
DC Connector type		MC4						
Dimensions (HxWxD)		212 mm (8.3") x 175 mm (6.9") x 30.2 mm (1.2")						
Weight		1.08 kg (2.38 lbs)						
Cooling		Natural convection – no fans						
Approved for wet locations		Yes						
Pollution degree		PD3						
Enclosure		Class II double-insulated, corrosion resistant polymeric enclosure						
Environ. category / UV exposure rating		NEMA Type 6 / outdoor						
COMPLIANCE								
		CA Rule 21 (UL 1741-SA), UL 62109-1, UL1741/IEEE1547, FCC Part 15 Class B, ICES-0003 Class B, CAN/CSA-C22.2 NO. 107.1-01						
Certifications		This product is UL Listed as PV Rapid Shut Down Equipment and conforms with NEC 2014, NEC 2017, and NEC 2020 section 690.12 and C22.1-2018 Rule 64-218 Rapid Shutdown of PV Systems, for AC and DC conductors, when installed according to manufacturer's instructions.						

(1) The IQ8H-208 variant will be operating in grid-tied mode only at 208V AC. (2) No enforced DC/AC ratio. See the compatibility calculator at <https://link.enphase.com/module-compatibility> (3) Maximum continuous input DC current is 10.6A (4) Nominal voltage range can be extended beyond nominal if required by the utility. (5) Limits may vary. Refer to local requirements to define the number of microinverters per branch in your area.

ENGINEER:



JOB TITLE:

NEW SOLAR PV SYSTEM
 9.875 kW DC INPUT
 8.250 kW AC EXPORT
Courtney Starks
 316 Pendar Rd.
 Spring Lake, NC 28390

CLIENT:

SMARTSUN ENERGY

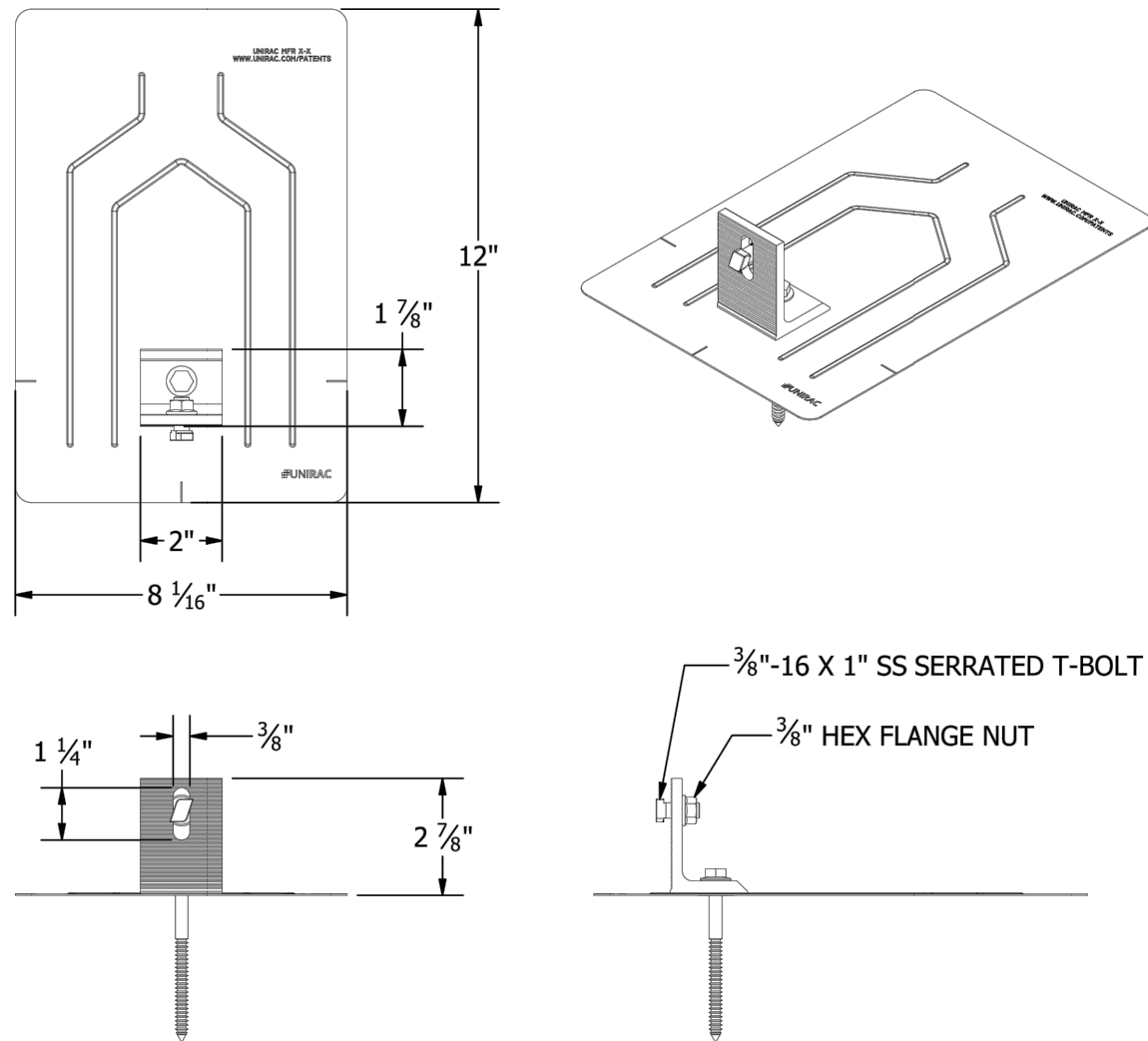
ISSUED FOR: CONSTRUCTION DATE: 06/08/22

LABELS, DETAILS & SPECS

PV5.2

© 2022 MODEL ENERGY, PLLC EXPRESSLY RESERVES ITS COMMON LAW COPYRIGHT AND OTHER PROPERTY RIGHTS IN THESE PLANS. THESE PLANS ARE NOT TO BE REPRODUCED, CHANGED OR COPIED IN ANY FORM OR MANNER WHATSOEVER, NOR ARE THEY TO BE ASSIGNED TO ANY THIRD PARTY WITHOUT FIRST OBTAINING THE EXPRESSED WRITTEN PERMISSION AND CONSENT OF MODEL ENERGY, PLLC.

- NOTES:
 1. INSTALLATION TO BE COMPLETED IN ACCORDANCE WITH MANUFACTURER'S WRITTEN SPECIFICATIONS AND INSTALLATION INSTRUCTIONS.
 2. PACKAGING: KITS OF 10



PART # TABLE	
P/N	DESCRIPTION
004055M	FLASHKIT PRO MILL
004055D	FLASHKIT PRO DRK

UNIRAC
 1411 BROADWAY BLVD. NE
 ALBUQUERQUE, NM 87102 USA
 PHONE: 505.242.6411
 WWW.UNIRAC.COM

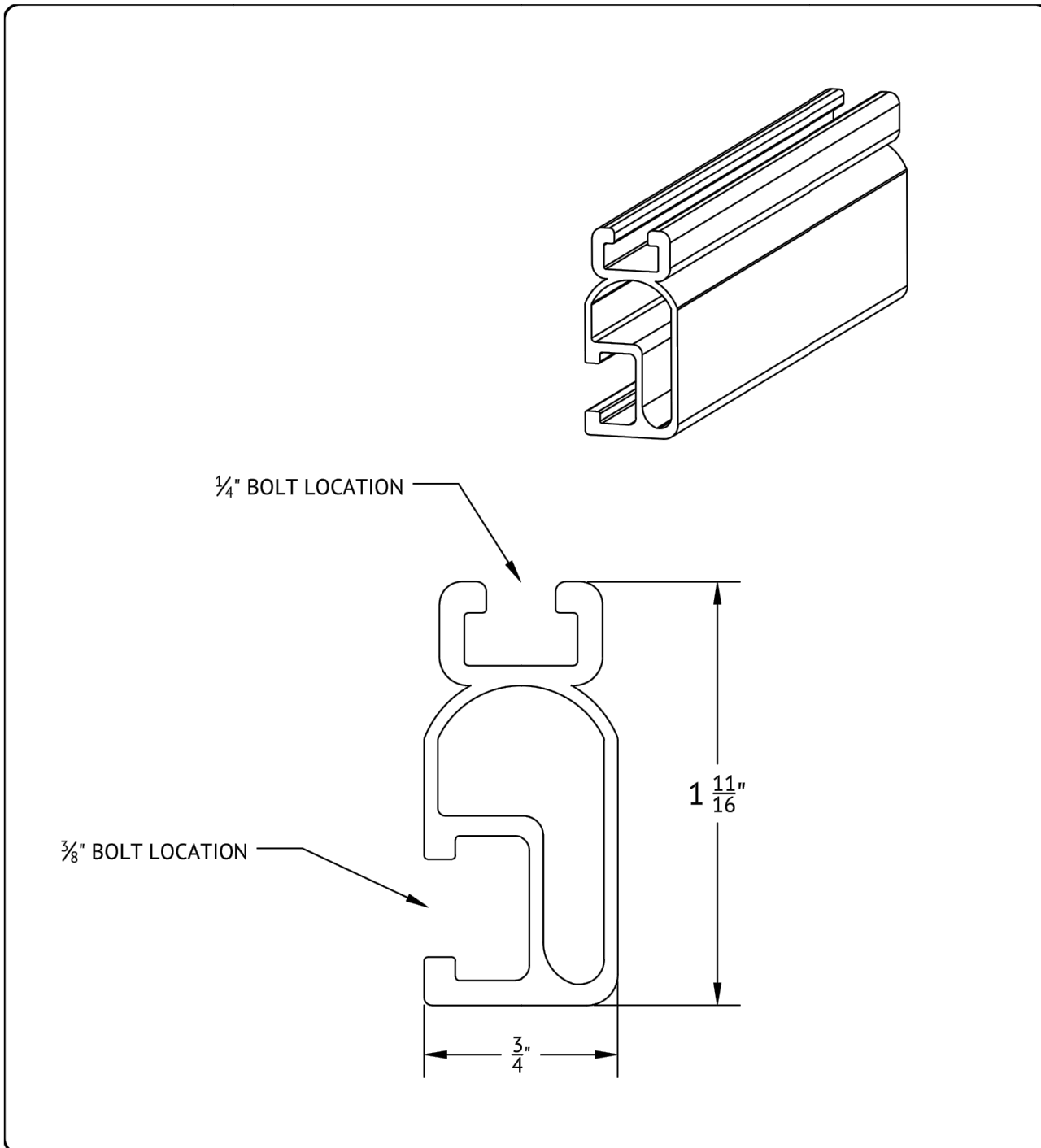
PRODUCT LINE:	SOLARMOUNT
DRAWING TYPE:	KIT DETAIL
DESCRIPTION:	FLASHKIT PRO
REVISION DATE:	9/24/2018

DRAWING NOT TO SCALE
 ALL DIMENSIONS ARE
 NOMINAL

PRODUCT PROTECTED BY
 ONE OR MORE US PATENTS

LEGAL NOTICE

SM-A03
 SHEET



UNIRAC
 1411 BROADWAY BLVD NE
 ALBUQUERQUE, NM 87102 USA
 WWW.UNIRAC.COM

PRODUCT LINE:	SOLARMOUNT
DRAWING TYPE:	PART DETAIL
DESCRIPTION:	LIGHT RAIL
REVISION DATE:	APRIL 2016

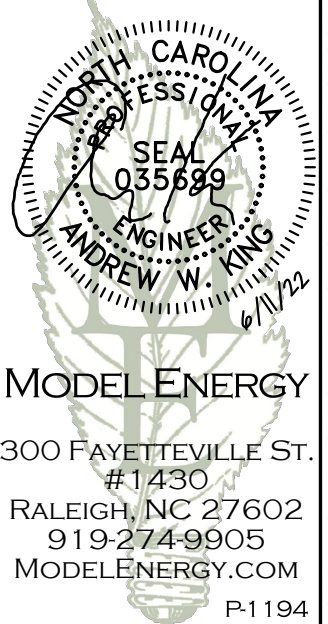
DRAWING NOT TO SCALE
 ALL DIMENSIONS ARE NOMINAL

PRODUCT PROTECTED BY ONE
 OR MORE US PATENTS

LEGAL NOTICE

SM-P02
 SHEET

ENGINEER:



MODEL ENERGY
 300 FAYETTEVILLE ST.
 #1430
 RALEIGH, NC 27602
 919-274-9905
 MODELENERGY.COM
 P-1194

JOB TITLE:

NEW SOLAR PV SYSTEM
 9.875 kW DC INPUT
 8.250 kW AC EXPORT

Courtney Starks
 316 Pendar Rd.
 Spring Lake, NC 28390

CLIENT:

**SMARTSUN
 ENERGY**

ISSUED FOR:	DATE:
CONSTRUCTION	06/08/22

LABELS,
 DETAILS & SPECS

PV5.3

© 2022 MODEL ENERGY, PLLC EXPRESSLY RESERVES ITS COMMON LAW COPYRIGHT AND OTHER PROPERTY RIGHTS IN THESE PLANS. THESE PLANS ARE NOT TO BE REPRODUCED, CHANGED OR COPIED IN ANY FORM OR MANNER WHATSOEVER, NOR ARE THEY TO BE ASSIGNED TO ANY THIRD PARTY WITHOUT FIRST OBTAINING THE EXPRESSED WRITTEN PERMISSION AND CONSENT OF MODEL ENERGY, PLLC.