



EN



FAM_E7G-BB / 120 cells
345W - 365 W
Mono-Crystalline PV Module

URE Peach module uses URE state-of-the-art cell cutting technology, and advanced module manufacturing experiences.



Key Features

- Positive power tolerance +0 ~ +5 watt
- 100% EL inline inspection Better module reliability
- Withstand heavy loading front load 5400 Pa & rear load 2400 Pa
- Design for 1000 VDC Reduce the system BOS effectively
- Excellent low light performance 3.5% relative eff. Reduction at low (200W/m²)



Copyright © 2021 URE Corp. All rights reserved

For more information, please visit us at www.urecorp.com



EN

Electrical Data

| Model - STC | | FAM345E7G-BB | FAM350E7G-BB | FAM355E7G-BB | FAM360E7G-BB | FAM365E7G-BB |
|-----------------------------|-----|--------------|--------------|--------------|--------------|--------------|
| Maximum Rating Power (Pmax) | [W] | 345 | 350 | 355 | 360 | 365 |
| Module Efficiency | [%] | 18.68 | 18.95 | 19.22 | 19.50 | 19.77 |
| Open Circuit Voltage (Voc) | [V] | 39.90 | 40.10 | 40.30 | 40.50 | 40.70 |
| Maximum Power Voltage | [V] | 33.40 | 33.60 | 33.80 | 34.00 | 34.20 |
| Short Circuit Current (Isc) | [A] | 11.13 | 11.19 | 11.26 | 11.35 | 11.43 |
| Maximum Power Current | [A] | 10.33 | 10.42 | 10.51 | 10.59 | 10.68 |

*Standard Test Condition (STC): Cell Temperature 25 °C, Irradiance 1000 W/m², AM 1.5
*Values without tolerance are typical numbers. Measurement tolerance: ± 3%

Mechanical Data

| Item | Specification |
|-------------------------|---|
| Dimensions | 1762 mm (L) ² x 1048 mm (W) ² x 35 mm (D) ² / 69.37" (L) ² x 41.26" (W) ² x 1.38" (D) ² |
| Weight | 19.6 kg / 43.21 lbs |
| Solar Cell | Mono / 83 mm x 166mm |
| Front Glass | White toughened safety glass, 3.2mm thickness |
| Frame | Black anodized aluminum profile |
| Junction Box | IP ≥67, 3 diodes |
| Connectors Type | MC4 Compatible |
| Cable | 500mm (cable length can be customized), 4mm ² |
| Packaging Configuration | 31 pcs Per Pallet, 806 pcs per 40' HQ container |

1: With assembly tolerance of ± 2 mm [± 0.08"]
2: With assembly tolerance of ± 0.8 mm [± 0.03"]

Operating Conditions

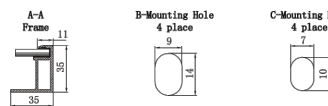
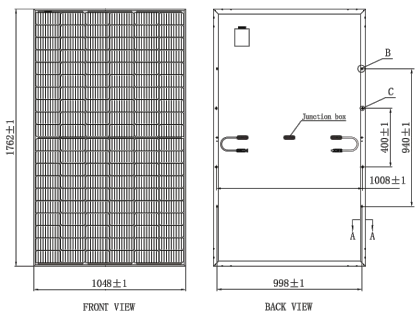
| Item | Specification |
|------------------------|---------------|
| Mechanical Load | 5400 Pa |
| Maximum System Voltage | 1000 VDC |
| Series Fuse Rating | 20 A |
| Operating Temperature | -40 to 85 °C |

Temperature Characteristics

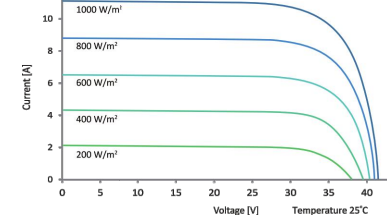
| Item | Specification |
|--------------------------------------|---------------|
| Nominal Module Operating Temperature | 45 °C ± 2°C |
| Temperature Coefficient of Isc | 0.048 % / °C |
| Temperature Coefficient of Voc | -0.27 % / °C |
| Temperature Coefficient of Pmax | -0.35 % / °C |

*Nominal module operating temperature (NMOT): Air mass AM 1.5, Irradiance 800W/m², temperature 20°C, windspeed 1 m/s.
*Reduction in efficiency from 1000W/m² to 200W/m² at 25°C: 3.5 ± 2%.

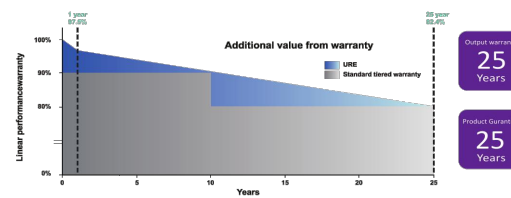
Engineering Drawing (mm)



Dependence on Irradiance



Reliability with Warranty



For more information, please visit us at www.urecorp.com

United Renewable Energy Co., Ltd.

Copyright © 2021 URE Corp. All rights reserved

Taipei Office

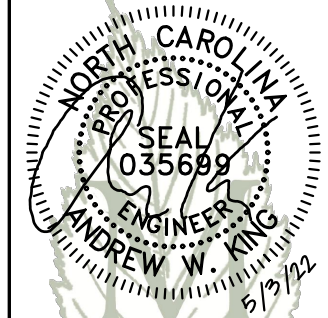
9F, NO. 295, Sec. 2, Tiding Blvd.,
Neihu Dist., Taipei 11493, Taiwan
Tel : +886-2-2656-2000
Fax : +886-2-2656-0593
e-mail : sales@urecorp.com

Headquarters

No. 7, Li-Hsin 3rd Road, Hsinchu Science Park
Hsinchu city 30078, Taiwan
Tel : +886-3-578-0011
Fax : +886-3-578-1255

URECO_US_Peach_FAM_E7G_V1_3.2_35mm_BS_EN_210520

ENGINEER:



MODEL ENERGY

300 FAYETTEVILLE ST.
#1430
RALEIGH, NC 27602
919-274-9905
MODELENERGY.COM

P-1194

JOB TITLE:

NEW SOLAR PV SYSTEM
14.6 kW DC INPUT
11.4 kW AC EXPORT
Bullock Residence
68 Woodfield Ct,
Fuquay-Varina, NC 27526

CLIENT:

READY SOLAR

ISSUED FOR: CONSTRUCTION DATE: 05/03/22

LABELS, DETAILS & SPECS

PV5.1

WARNING: PHOTOVOLTAIC POWER SOURCE

NEC 690.31 (G)(3)&(4)
PLACE ON ALL JUNCTION BOXES, EXPOSED RACEWAYS, AND OTHER WIRING METHODS EVERY 10' AND ON EVERY SECTION SEPARATED BY ENCLOSURES, WALLS, PARTITIONS, CEILINGS, OR FLOORS.

RAPID SHUTDOWN SWITCH FOR SOLAR PV SYSTEM

NEC 690.56 (C)(3)
PLACE ON RAPID SHUTDOWN SWITCH OR EQUIPMENT WITH INTEGRATED RAPID SHUTDOWN *REFLECTIVE*

WARNING

FED BY MULTIPLE POWER SOURCES
TOTAL RATING OF ALL OVERCURRENT DEVICES EXCLUDING UTILITY OVERCURRENT DEVICE SHALL NOT EXCEED AMPACITY OF BUSBAR

NEC 705.12 (B)(2)(3)(c)
PLACE ADJACENT TO BACK-FED BREAKER

EQUIPMENT LABEL NOTES
1. LABELS SHOWN ARE 1/2 THEIR ACTUAL REQUIRED SIZE.
2. LABEL MATERIAL SHALL BE SUITABLE FOR THE EQUIPMENT ENVIRONMENT.
3. CONDUIT SHALL BE MARKED WITH REQUIRED LABEL EVERY 10 FEET.

DIRECT CURRENT PHOTOVOLTAIC POWER SOURCE

MAXIMUM VOLTAGE 600 VDC
MAX CIR. CURRENT 45 AMPS

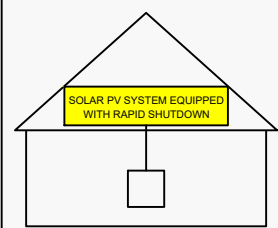
NEC 690.53
PLACE ON ALL DC DISCONNECTING MEANS

PHOTOVOLTAIC POWER SOURCE
OPERATING AC VOLT. 240 VAC
MAXIMUM OPERATING AC OUTPUT CURRENT 48 AMPS

NEC 690.54
PLACE ON INTERCONNECTION DISCONNECTING MEANS

SOLAR PV SYSTEM EQUIPPED WITH RAPID SHUTDOWN

TURN RAPID SHUTDOWN SWITCH TO THE "OFF" POSITION TO SHUT DOWN PV SYSTEM AND REDUCE SHOCK HAZARD IN THE ARRAY



NEC 690.56 (C)(1)(a)
PLACE WITHIN 3FT OF SERVICE DISCONNECTING MEANS TO WHICH THE PV SYSTEMS ARE CONNECTED AND SHALL INDICATE THE LOCATIONS OF RAPID SHUTDOWN SWITCHES

PV SYSTEM DISCONNECT

NEC 690.13 (B)
PLACE ON PV SYSTEM DISCONNECTING MEANS.

WARNING
DUAL POWER SUPPLY
SOURCES: UTILITY GRID AND PV SOLAR ELECTRIC SYSTEM

NEC 705.12 (B)(3)
PLACE ON ALL EQUIPMENT THAT IS SUPPLIED BY BOTH POWER SOURCES

WARNING
ELECTRIC SHOCK HAZARD

TERMINALS ON THE LINE AND LOAD SIDES MAY BE ENERGIZED IN THE OPEN POSITION

NEC 690.13 (B)
PLACE ON PV SYSTEM DISCONNECTING MEANS.

WARNING
POWER SOURCE OUTPUT CONNECTION DO NOT RELOCATE THIS OVERCURRENT DEVICE

NEC 705.12 (B)(2)(3)(b)
PLACE ADJACENT TO BACK-FED BREAKER

© 2022 MODEL ENERGY, PLLC EXPRESSLY RESERVES ITS COMMON LAW COPYRIGHT AND OTHER PROPERTY RIGHTS IN THESE PLANS. THESE PLANS ARE NOT TO BE REPRODUCED, CHANGED OR COPIED IN ANY FORM OR MANNER WHATSOEVER, NOR ARE THEY TO BE ASSIGNED TO ANY THIRD PARTY WITHOUT FIRST OBTAINING THE EXPRESSED WRITTEN PERMISSION AND CONSENT OF MODEL ENERGY, PLLC.

Power Optimizer

For North America

P320 / P340 / P370 / P400 / P401 / P405 / P485 / P505



**25
YEAR
WARRANTY**

POWER OPTIMIZER

PV power optimization at the module-level

- Specifically designed to work with SolarEdge inverters
- Up to 25% more energy
- Superior efficiency (99.5%)
- Mitigates all types of module mismatch losses, from manufacturing tolerance to partial shading
- Flexible system design for maximum space utilization
- Fast installation with a single bolt
- Next generation maintenance with module-level monitoring
- Meets NEC requirements for arc fault protection (AFCI) and Photovoltaic Rapid Shutdown System (PVRSS)
- Module-level voltage shutdown for installer and firefighter safety

solaredge.com



Power Optimizer For North America

P320 / P340 / P370 / P400 / P401 / P405 / P485 / P505

| Optimizer model (typical module compatibility) | P320 (for 60-cell modules) | P340 (for high-power 60-cell modules) | P370 (for higher-power 60 and 72-cell modules) | P400 (for 72 & 96-cell modules) | P401 (for high-power 60 and 72 cell modules) | P405 (for high-voltage modules) | P485 (for high-voltage modules) | P505 (for higher current modules) | | |
|---|--|---------------------------------------|--|----------------------------------|--|------------------------------------|--------------------------------------|-----------------------------------|-----|---------|
| INPUT | | | | | | | | | | |
| Rated Input DC Power ⁽¹⁾ | 320 | 340 | 370 | 400 | | 405 | 485 | 505 | W | |
| Absolute Maximum Input Voltage (Voc at lowest temperature) | 48 | | 60 | 80 | 60 | 125 ⁽²⁾ | | 83 ⁽²⁾ | Vdc | |
| MPPT Operating Range | 8 - 48 | | 8 - 60 | 8 - 80 | 8-60 | 12.5 - 105 | | 12.5 - 83 | Vdc | |
| Maximum Short Circuit Current (Isc) | 11 | | | 10.1 | 11.75 | 11 | | 14 | Adc | |
| Maximum Efficiency | 99.5 | | | | | | | | | |
| Weighted Efficiency | 98.8 | | | | | | | 98.6 | | % |
| Overvoltage Category | II | | | | | | | | | |
| OUTPUT DURING OPERATION (POWER OPTIMIZER CONNECTED TO OPERATING SOLAREEDGE INVERTER) | | | | | | | | | | |
| Maximum Output Current | | | | | 15 | | | | | Adc |
| Maximum Output Voltage | 60 | | | | | | 85 | | Vdc | |
| OUTPUT DURING STANDBY (POWER OPTIMIZER DISCONNECTED FROM SOLAREEDGE INVERTER OR SOLAREEDGE INVERTER OFF) | | | | | | | | | | |
| Safety Output Voltage per Power Optimizer | 1 ± 0.1 | | | | | | | | | Vdc |
| STANDARD COMPLIANCE | | | | | | | | | | |
| EMC | FCC Part15 Class B, IEC61000-6-2, IEC61000-6-3 | | | | | | | | | |
| Safety | IEC62109-1 (class II safety), UL1741 | | | | | | | | | |
| Material | UL94 V-0, UV Resistant | | | | | | | | | |
| RoHS | Yes | | | | | | | | | |
| INSTALLATION SPECIFICATIONS | | | | | | | | | | |
| Maximum Allowed System Voltage | 1000 | | | | | | | | | Vdc |
| Compatible inverters | All SolarEdge Single Phase and Three Phase inverters | | | | | | | | | |
| Dimensions (W x L x H) | 129 x 153 x 27.5 / 5.1 x 6 x 1.1 | | | 129 x 153 x 33.5 / 5.1 x 6 x 1.3 | 129 x 153 x 29.5 / 5.1 x 6 x 1.16 | 129 x 159 x 49.5 / 5.1 x 6.3 x 1.9 | | 129 x 162 x 59 / 5.1 x 6.4 x 2.3 | | mm / in |
| Weight (including cables) | 630 / 1.4 | | | 750 / 1.7 | 655 / 1.5 | 845 / 1.9 | | 1064 / 2.3 | | gr / lb |
| Input Connector | MC4 ⁽³⁾ | | | | | | Single or dual MC4 ⁽³⁾⁽⁴⁾ | MC4 ⁽³⁾ | | |
| Input Wire Length | 0.16 / 0.52 | | | | | | | | | m / ft |
| Output Wire Type / Connector | Double Insulated / MC4 | | | | | | | | | |
| Output Wire Length | 0.9 / 2.95 | | | 1.2 / 3.9 | | | | | | m / ft |
| Operating Temperature Range ⁽⁵⁾ | -40 - +85 / -40 - +185 | | | | | | | | | °C / °F |
| Protection Rating | IP68 / NEMA6P | | | | | | | | | |
| Relative Humidity | 0 - 100 | | | | | | | | | % |

(1) Rated power of the module at STC will not exceed the optimizer "Rated Input DC Power". Modules with up to +5% power tolerance are allowed

(2) NEC 2017 requires max input voltage be not more than 80V

(3) For other connector types please contact SolarEdge

(4) For dual version for parallel connection of two modules use P485-4NMDMRM. In the case of an odd number of PV modules in one string, installing one P485 dual version power optimizer connected to one PV module. When connecting a single module seal the unused input connectors with the supplied pair of seals.

(5) For ambient temperature above +85°C / +185°F power de-rating is applied. Refer to Power Optimizers Temperature De-Rating Technical Note for more details.

| PV System Design Using a SolarEdge Inverter ⁽⁶⁾⁽⁷⁾ | Single Phase HD-Wave | Single phase | Three Phase for 208V grid | Three Phase for 277/480V grid | |
|---|--|--------------|---------------------------|-------------------------------|---|
| Minimum String Length (Power Optimizers) | P320, P340, P370, P400, P401 P405, P485, P505 | 8 | 10 | 18 | |
| Maximum String Length (Power Optimizers) | | 6 | 8 | 14 | |
| Maximum Power per String | | 25 | 25 | 50 ⁽⁸⁾ | W |
| Maximum Power per String | 5700 (6000 with SE7600-US - SE11400-US) | 5250 | 6000 ⁽⁹⁾ | 12750 ⁽¹⁰⁾ | |
| Parallel Strings of Different Lengths or Orientations | Yes | | | | |

(6) For detailed string sizing information refer to: http://www.solaredge.com/sites/default/files/string_sizing_na.pdf

(7) It is not allowed to mix P405/P485/P505 with P320/P340/P370/P400/P401 in one string

(8) A string with more than 30 optimizers does not meet NEC rapid shutdown requirements; safety voltage will be above the 30V requirement

(9) For 208V grid: it is allowed to install up to 7,200W per string when the maximum power difference between each string is 1,000W

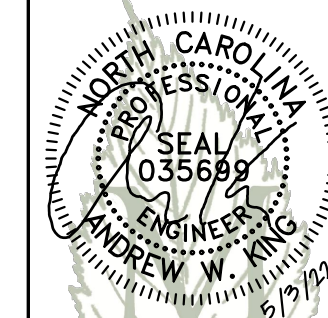
(10) For 277/480V grid: it is allowed to install up to 15,000W per string when the maximum power difference between each string is 2,000W

© SolarEdge Technologies Ltd. All rights reserved. SOLAREEDGE, the SolarEdge logo, OPTIMIZED BY SOLAREEDGE are trademarks or registered trademarks of SolarEdge Technologies, Inc. All other trademarks mentioned herein are trademarks of their respective owners. Date: 07/2020/002/ENG NAM. Subject to change without notice.



RoHS

ENGINEER:



MODEL ENERGY

300 FAYETTEVILLE ST.
#1430
RALEIGH, NC 27602
919-274-9905
MODELENERGY.COM
P-1194

JOB TITLE:

NEW SOLAR PV SYSTEM
14.6 kW DC INPUT
11.4 kW AC EXPORT
Bullock Residence
68 Woodfield Ct,
Fuquay-Varina, NC 27526

CLIENT:

READY SOLAR

ISSUED FOR: CONSTRUCTION DATE: 05/03/22

EQUIPMENT SPEC SHEETS

PV5.2

© 2022 MODEL ENERGY, PLLC EXPRESSLY RESERVES ITS COMMON LAW COPYRIGHT AND OTHER PROPERTY RIGHTS IN THESE PLANS. THESE PLANS ARE NOT TO BE REPRODUCED, CHANGED OR COPIED IN ANY FORM OR MANNER WHATSOEVER, NOR ARE THEY TO BE ASSIGNED TO ANY THIRD PARTY WITHOUT FIRST OBTAINING THE EXPRESSED WRITTEN PERMISSION AND CONSENT OF MODEL ENERGY, PLLC.

Single Phase Inverter with HD-Wave Technology for North America

SE3000H-US / SE3800H-US / SE5000H-US / SE6000H-US / SE7600H-US / SE10000H-US / SE11400H-US



INVERTERS

Optimized installation with HD-Wave technology

- Specifically designed to work with power optimizers
- Record-breaking 99% weighted efficiency
- Quick and easy inverter commissioning directly from a smartphone using the SolarEdge SetApp
- Fixed voltage inverter for longer strings
- Integrated arc fault protection and rapid shutdown for NEC 2014, NEC 2017 and NEC 2020 per article 690.11 and 690.12
- UL1741 SA certified, for CPUC Rule 21 grid compliance
- Small, lightweight, and easy to install both outdoors or indoors
- Built-in module-level monitoring
- Optional: Faster installations with built-in consumption metering (1% accuracy) and production revenue grade metering (0.5% accuracy, ANSI C12.20)

solaredge.com



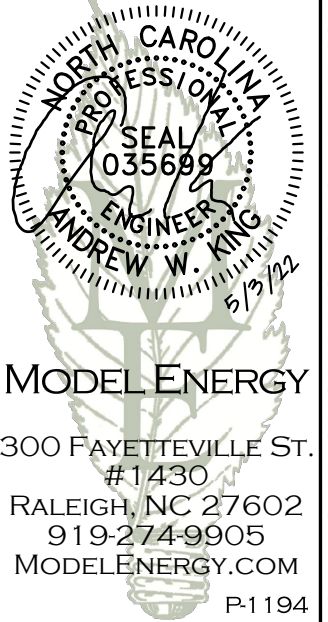
Single Phase Inverter with HD-Wave Technology for North America

SE3000H-US / SE3800H-US / SE5000H-US / SE6000H-US / SE7600H-US / SE10000H-US / SE11400H-US

| MODEL NUMBER | SE3000H-US | SE3800H-US | SE5000H-US | SE6000H-US | SE7600H-US | SE10000H-US | SE11400H-US | |
|---|---------------------------------|----------------------------|------------|----------------------------|------------|-------------|------------------------------|-----|
| APPLICABLE TO INVERTERS WITH PART NUMBER | SEXXXXH-XXXXXBXX4 | | | | | | | |
| OUTPUT | | | | | | | | |
| Rated AC Power Output | 3000 | 3800 @ 240V 3300 @ 208V | 5000 | 6000 @ 240V 5000 @ 208V | 7600 | 10000 | 11400 @ 240V 10000 @ 208V | VA |
| Maximum AC Power Output | 3000 | 3800 @ 240V 3300 @ 208V | 5000 | 6000 @ 240V 5000 @ 208V | 7600 | 10000 | 11400 @ 240V 10000 @ 208V | VA |
| AC Output Voltage Min.-Nom.-Max. (211 - 240 - 264) | ✓ | ✓ | ✓ | ✓ | ✓ | ✓ | ✓ | Vac |
| AC Output Voltage Min.-Nom.-Max. (183 - 208 - 229) | - | ✓ | - | ✓ | - | - | ✓ | Vac |
| AC Frequency (Nominal) | 59.3 - 60 - 60.5 ⁽¹⁾ | | | | | | | Hz |
| Maximum Continuous Output Current @240V | 12.5 | 16 | 21 | 25 | 32 | 42 | 47.5 | A |
| Maximum Continuous Output Current @208V | - | 16 | - | 24 | - | - | 48.5 | A |
| Power Factor | 1, Adjustable - 0.85 to 0.85 | | | | | | | |
| GFDI Threshold | 1 | | | | | | | A |
| Utility Monitoring, Islanding Protection, Country Configurable Thresholds | Yes | | | | | | | |
| INPUT | | | | | | | | |
| Maximum DC Power @240V | 4650 | 5900 | 7750 | 9300 | 11800 | 15500 | 17650 | W |
| Maximum DC Power @208V | - | 5100 | - | 7750 | - | - | 15500 | W |
| Transformer-less, Ungrounded | Yes | | | | | | | |
| Maximum Input Voltage | 480 | | | | | | | Vdc |
| Nominal DC Input Voltage | 380 | | | | | | | Vdc |
| Maximum Input Current @240V ⁽²⁾ | 8.5 | 10.5 | 13.5 | 16.5 | 20 | 27 | 30.5 | Adc |
| Maximum Input Current @208V ⁽²⁾ | - | 9 | - | 13.5 | - | - | 27 | Adc |
| Max. Input Short Circuit Current | 45 | | | | | | | Adc |
| Reverse-Polarity Protection | Yes | | | | | | | |
| Ground-Fault Isolation Detection | 600ka Sensitivity | | | | | | | |
| Maximum Inverter Efficiency | 99 | 99.2 | | | | | | % |
| CEC Weighted Efficiency | 99 | | | | | | 99 @ 240V 98.5 @ 208V | % |
| Nighttime Power Consumption | < 2.5 | | | | | | | W |

(1) For other regional settings please contact SolarEdge support
 (2) A higher current source may be used; the inverter will limit its input current to the values stated

ENGINEER:



MODEL ENERGY
 300 FAYETTEVILLE ST.
 #1430
 RALEIGH, NC 27602
 919-274-9905
 MODELENERGY.COM
 P-1194

JOB TITLE:

NEW SOLAR PV SYSTEM
 14.6 kW DC INPUT
 11.4 kW AC EXPORT
 Bullock Residence
 68 Woodfield Ct,
 Fuquay-Varina, NC 27526

CLIENT:

READY SOLAR

ISSUED FOR: CONSTRUCTION DATE: 05/03/22

EQUIPMENT SPEC SHEETS

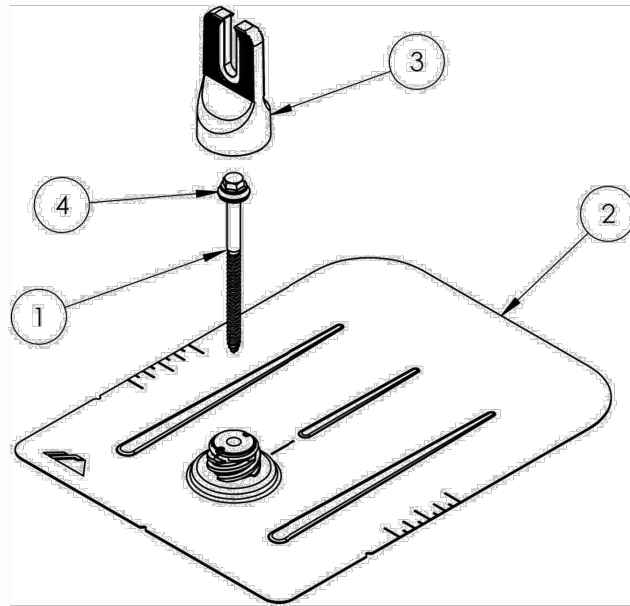
PV5.3

© 2022 MODEL ENERGY, PLLC EXPRESSLY RESERVES ITS COMMON LAW COPYRIGHT AND OTHER PROPERTY RIGHTS IN THESE PLANS. THESE PLANS ARE NOT TO BE REPRODUCED, CHANGED OR COPIED IN ANY FORM OR MANNER WHATSOEVER, NOR ARE THEY TO BE ASSIGNED TO ANY THIRD PARTY WITHOUT FIRST OBTAINING THE EXPRESSED WRITTEN PERMISSION AND CONSENT OF MODEL ENERGY, PLLC.



FlashFoot2

Cut Sheet

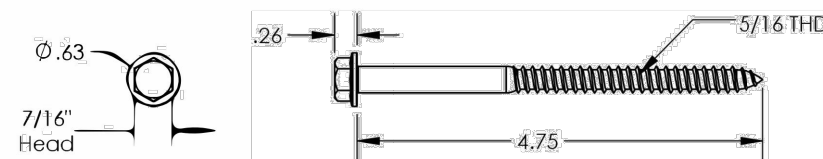


| ITEM NO. | DESCRIPTION |
|----------|-----------------------|
| 1 | BOLT LAG 5/16 X 4.75" |
| 2 | ASSY, FLASHING |
| 3 | ASSY, CAP |
| 4 | WASHER, EPDM BACKED |

FLASHFOOT 2

| Part Number | Description |
|-------------|-------------------|
| FF2-01-M1 | FLASHFOOT2, MILL |
| FF2-01-B1 | FLASHFOOT2, BLACK |

1) Bolt, Lag 5/16" x 4.75"

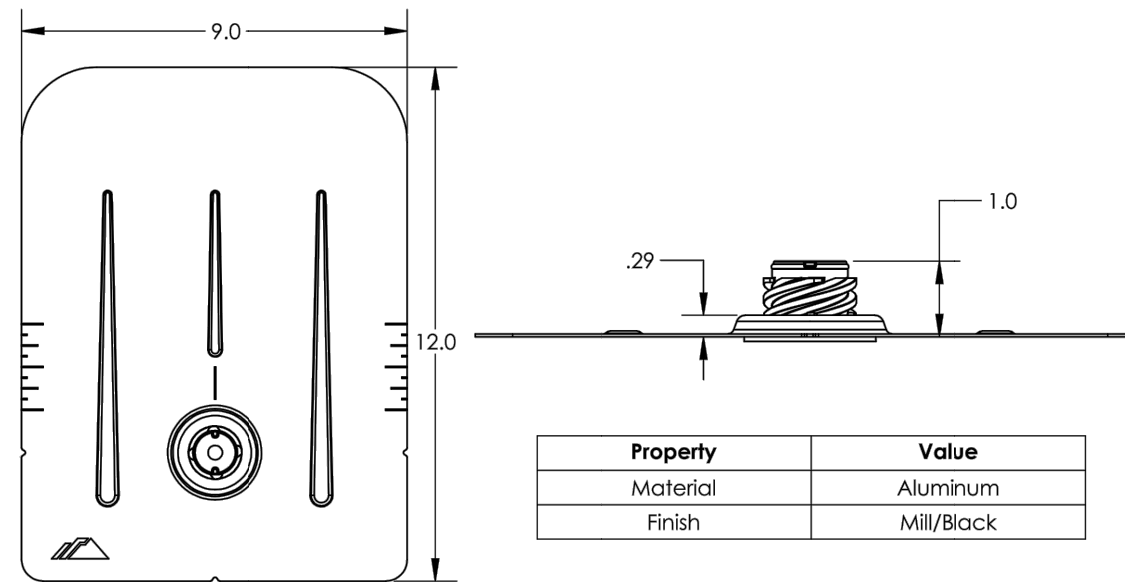


| Property | Value |
|----------|----------------------------|
| Material | 300 Series Stainless Steel |
| Finish | Clear |

v1.21

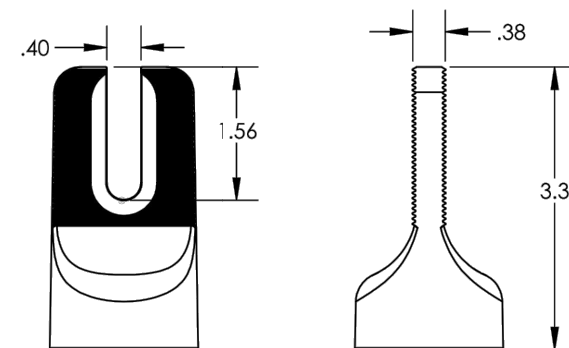
Cut Sheet

2) Assy, Flashing



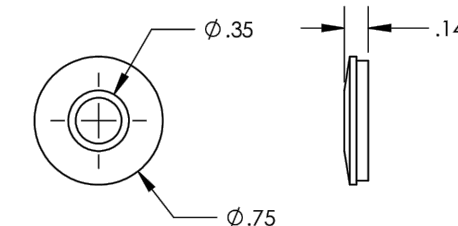
| Property | Value |
|----------|------------|
| Material | Aluminum |
| Finish | Mill/Black |

3) Assy, Cap



| Property | Value |
|----------|------------|
| Material | Aluminum |
| Finish | Mill/Black |

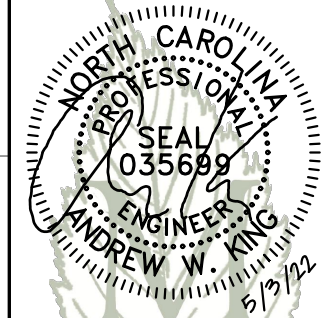
4) Washer, EPDM Backed



| Property | Value |
|----------|----------------------------|
| Material | 300 Series Stainless Steel |
| Finish | Clear |

v1.21

ENGINEER:



MODEL ENERGY

300 FAYETTEVILLE ST.
#1430
RALEIGH, NC 27602
919-274-9905
MODELENERGY.COM
P-1194

JOB TITLE:

NEW SOLAR PV SYSTEM
14.6 kW DC INPUT
11.4 kW AC EXPORT
Bullock Residence
68 Woodfield Ct,
Fuquay-Varina, NC 27526

CLIENT:

READY SOLAR

ISSUED FOR: DATE:
CONSTRUCTION 05/03/22

EQUIPMENT
SPEC SHEETS

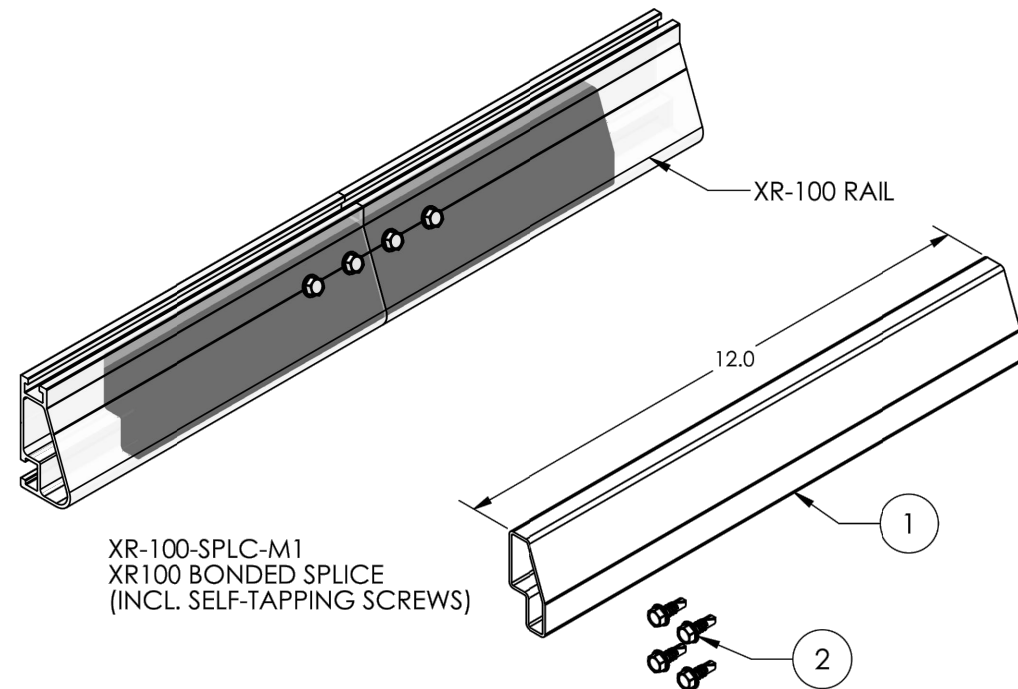
PV5.4

© 2022 MODEL ENERGY, PLLC EXPRESSLY RESERVES ITS COMMON LAW COPYRIGHT AND OTHER PROPERTY RIGHTS IN THESE PLANS. THESE PLANS ARE NOT TO BE REPRODUCED, CHANGED OR COPIED IN ANY FORM OR MANNER WHATSOEVER, NOR ARE THEY TO BE ASSIGNED TO ANY THIRD PARTY WITHOUT FIRST OBTAINING THE EXPRESSED WRITTEN PERMISSION AND CONSENT OF MODEL ENERGY, PLLC.



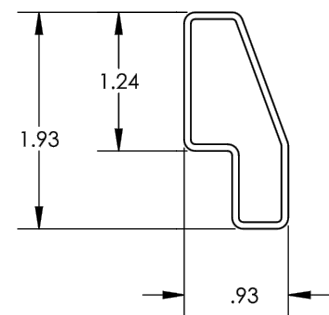
XR100 Bonded Splice

Cut Sheet



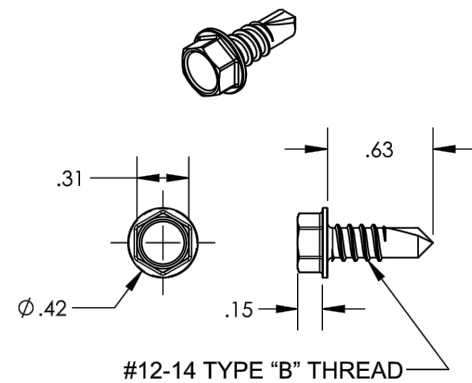
XR-100-SPLC-M1
XR100 BONDED SPLICE
(INCL. SELF-TAPPING SCREWS)

1) Splice, XR100, Mill 12" long



| Property | Value |
|----------|----------------------|
| Material | 6000 Series Aluminum |
| Finish | Mill |

2) Screw, Self Drilling



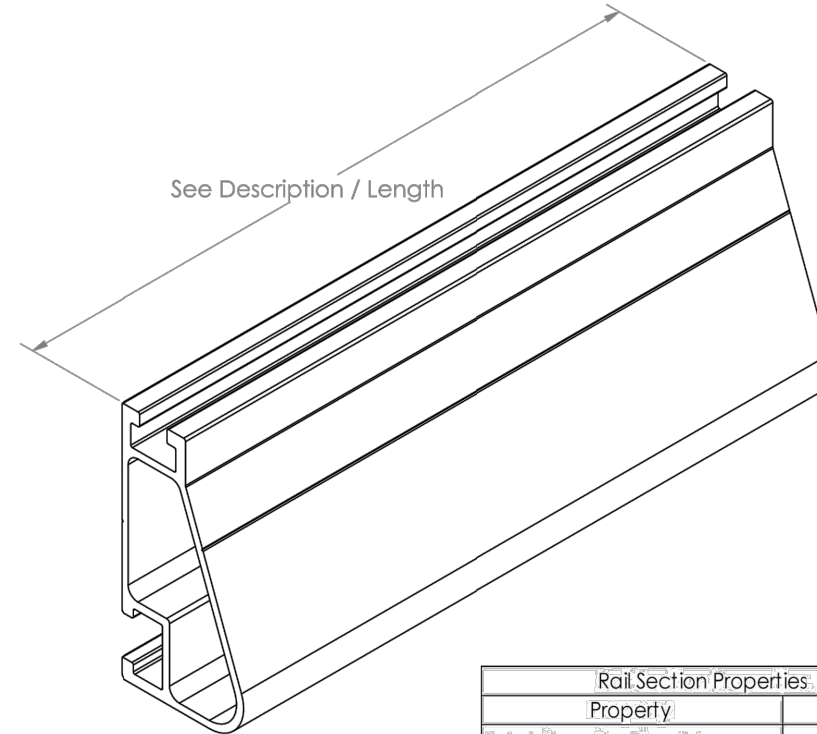
| Property | Value |
|----------|----------------------------|
| Material | 300 Series Stainless Steel |
| Finish | Clear |

v1.0



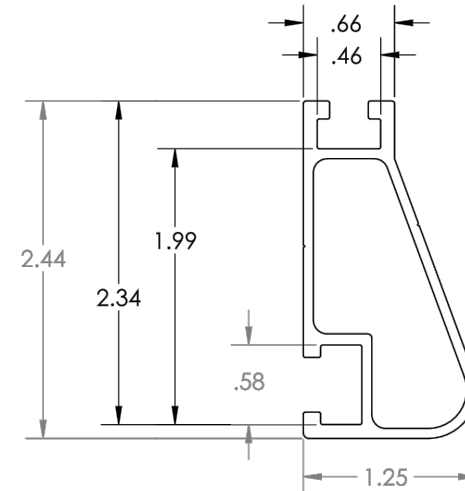
XR100 Rail

Cut Sheet



| Rail Section Properties: | |
|----------------------------|-----------------------|
| Property | Value |
| Total Cross-Sectional Area | 0.582 in ² |
| Section Modulus (X-axis) | 0.297 in ³ |
| Moment of Inertia (X-axis) | 0.390 in ⁴ |
| Moment of Inertia (Y-axis) | 0.085 in ⁴ |
| Torsional Constant | 0.214 in ³ |
| Polar Moment of Inertia | 0.126 in ⁴ |

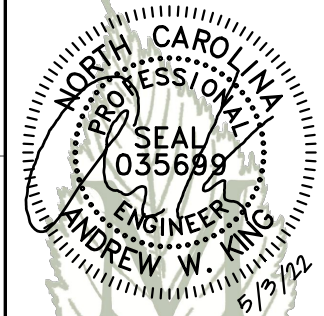
APPROVED MATERIALS:
6005-T6, 6005A-T61, 6105-T5, 6N01-T6
(34,000 PSI YIELD STRENGTH MINIMUM)



| Clear Part Number | Black Part Number | Description / Length | Material | Weight |
|-------------------|-------------------|----------------------------|----------------------|------------|
| XR-100-132A | XR-100-132B | XR100, Rail 132" (11 Feet) | 6000-Series Aluminum | 7.50 lbs. |
| XR-100-168A | XR-100-168B | XR100, Rail 168" (14 Feet) | | 9.55 lbs. |
| XR-100-204A | XR-100-204B | XR100, Rail 204" (17 Feet) | | 11.60 lbs. |

v1.1

ENGINEER:



MODEL ENERGY

300 FAYETTEVILLE ST.
#1430
RALEIGH, NC 27602
919-274-9905
MODELENERGY.COM
P-1194

JOB TITLE:

NEW SOLAR PV SYSTEM
14.6 kW DC INPUT
11.4 kW AC EXPORT
Bullock Residence
68 Woodfield Ct,
Fuquay-Varina, NC 27526

CLIENT:

READY SOLAR

ISSUED FOR: CONSTRUCTION DATE: 05/03/22

EQUIPMENT
SPEC SHEETS

PV5.5

© 2022 MODEL ENERGY, PLLC EXPRESSLY RESERVES ITS COMMON LAW COPYRIGHT AND OTHER PROPERTY RIGHTS IN THESE PLANS. THESE PLANS ARE NOT TO BE REPRODUCED, CHANGED OR COPIED IN ANY FORM OR MANNER WHATSOEVER, NOR ARE THEY TO BE ASSIGNED TO ANY THIRD PARTY WITHOUT FIRST OBTAINING THE EXPRESSED WRITTEN PERMISSION AND CONSENT OF MODEL ENERGY, PLLC.