

GENERAL ELECTRICAL NOTES

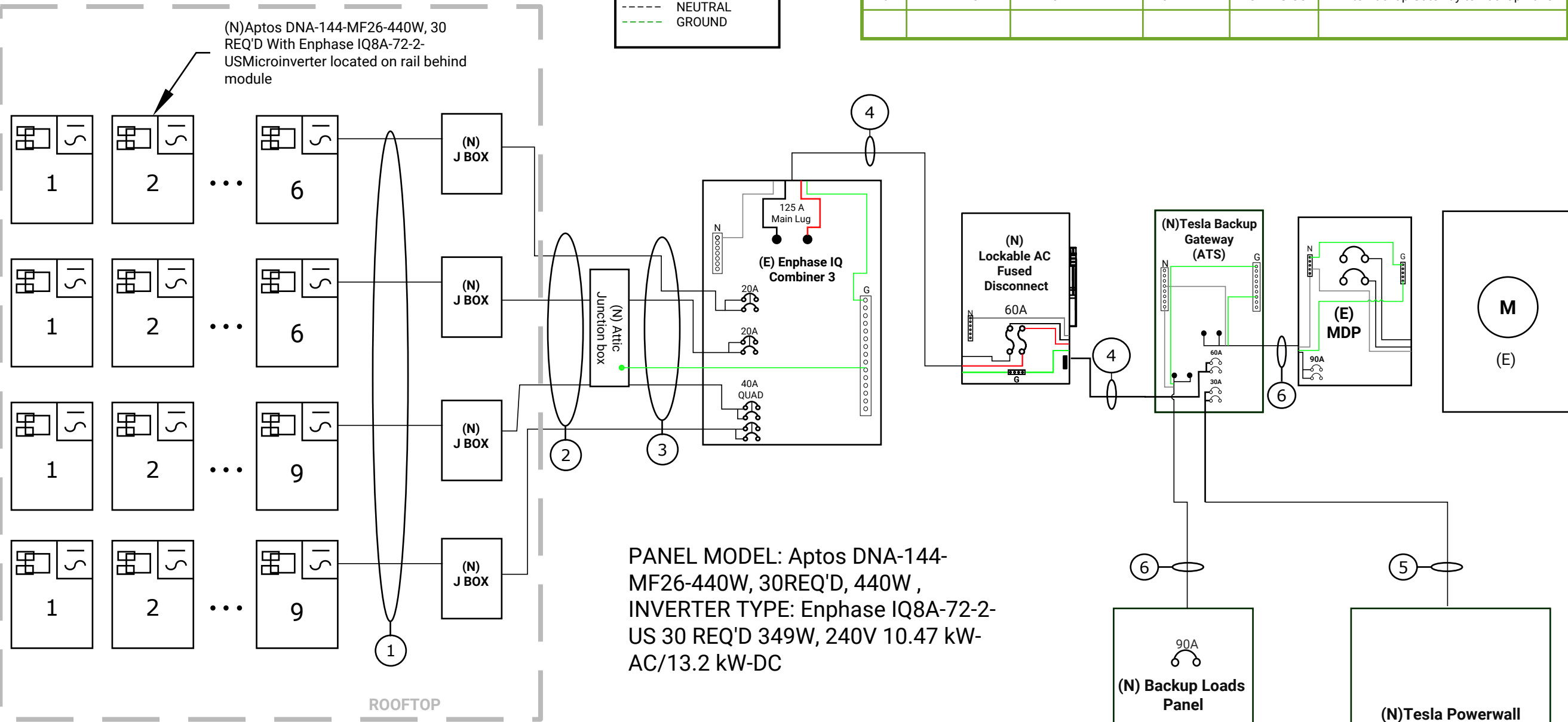
1. Equipment shall be new unless otherwise noted.
2. Equipment shall be listed unless otherwise noted.
3. Equipment shall be installed providing adequate working space in compliance with NEC.
4. Copper conductors shall be used and shall have insulation rating 600v, 90°C unless otherwise noted.
5. Conductors shall be sized in accordance with the NEC and ampacity shall be derated for temperature increase, conduit fill & voltage drop.
6. All conductors shall be installed in approved conduits. Conduits shall be adequately supported in accordance with the NEC.
7. AC Disconnect is optional, however it may be required by the utility.
8. Exposed non-current carrying metal parts shall be grounded in accordance with the NEC.
9. All work shall comply with the NEC and all applicable local electrical code requirements.
10. Contractor will provide labeling in accordance with the NEC, Article 110, 225, 690, and 705.

LEGEND

(N)	NEW
(E)	EXISTING
(O)	NEW BY OTHERS
---	NEUTRAL
---	GROUND

WIRING SCHEDULE

TAG	CONDUIT SIZE	CONDUCTOR	NEUTRAL	GROUND	NOTES
1	NONE	12/2 Trunk Cable	NONE	6 AWG	(Mfg. supplied cabling within array)
2	NONE	10/2 UF (60°)	NONE	10 AWG	J Box to Generation Sub Panel/ Enphase Combiner 3
3	1" PVC	#10 THWN-2	NONE	#10 AWG	Attic J Box to IQ Combiner to MDP
4	1" PVC	#6 THWN-2	#6 THWN-2	#10 AWG	Enphase Combiner 3 to Disco to Backup Gateway
5	1" PVC	#10 THWN-2	#10 THWN-2	#10 AWG	Backup Gateway to powerwall
6	2" PVC	#3 THWN-2	#3 THWN-2	#8 AWG CU	MDP to Backup Gateway to Backup Panel



Inverter output	Continuous Load			
1.45	1.25			
	x		x	
Circuit Sizes		Amperages		Total Amperage
6		8.7		= 54.37
6		8.7		
9		13.05		
9		13.05		



13.2KW PV SYSTEM
ROMERO RESIDENCE
58 Will Lucas Rd, Linden, NC 28356
LINE DIAGRAM

REVISION LIST

#	REV. DATE	DESC.

DATE: May 13, 2022
DRAWN BY: ZJP

Sheet No.
E-01