



Scott E. Wyssling, PE
Jon P. Ward, SE, PE
Gregory T. Elvestad, PE

76 North Meadowbrook Drive
Alpine, UT 84004
office (201) 874-3483
swyssling@wysslingconsulting.com

April 1, 2022

Sunpro Solar
22171 MCH Road
Mandeville, LA 70471

Re: Engineering Services
Gordon Residence
162 Revere Way, Cameron NC
5.700 kW System

To Whom It May Concern:

We have received information regarding solar panel installation on the roof of the above referenced structure. Our evaluation of the structure is to verify the existing capacity of the roof system and its ability to support the additional loads imposed by the proposed solar system.

A. Site Assessment Information

1. Site visit documentation identifying attic information including size and spacing of framing for the existing roof structure.
2. Design drawings of the proposed system including a site plan, roof plan and connection details for the solar panels. This information will be utilized for approval and construction of the proposed system.

B. Description of Structure:

Roof Framing: Prefabricated wood trusses at 24" on center. All truss members are constructed of 2x4 dimensional lumber.
Roof Material: Composite Asphalt Shingles
Roof Slope: 40 degrees
Attic Access: Accessible
Foundation: Permanent

C. Loading Criteria Used

- **Dead Load**
 - Existing Roofing and framing = 7 psf
 - New Solar Panels and Racking = 3 psf
 - TOTAL = 10 PSF
- **Live Load** = 20 psf (reducible) – 0 psf at locations of solar panels
- **Ground Snow Load** = 15 psf
- **Wind Load** based on ASCE 7-10
 - Ultimate Wind Speed = 117 mph (based on Risk Category II)
 - Exposure Category C

Analysis performed of the existing roof structure utilizing the above loading criteria is in accordance with the North Carolina Residential Code (2015 IRC), including provisions allowing existing structures to not require strengthening if the new loads do not exceed existing design loads by 105% for gravity elements and 110% for seismic elements. This analysis indicates that the existing framing members will support the additional panel loading without damage, if installed correctly.

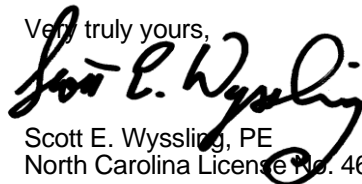
D. Solar Panel Anchorage

1. The solar panels shall be mounted in accordance with the most recent Unirac installation manual. If during solar panel installation, the roof framing members appear unstable or deflect non-uniformly, our office should be notified before proceeding with the installation.
2. The maximum allowable withdrawal force for a $\frac{5}{16}$ " lag screw is 235 lbs per inch of penetration as identified in the National Design Standards (NDS) of timber construction specifications. Based on a minimum penetration depth of $2\frac{1}{2}$ ", the allowable capacity per connection is greater than the design withdrawal force (demand). Considering the variable factors for the existing roof framing and installation tolerances, the connection using one $\frac{5}{16}$ " diameter lag screw with a minimum of $2\frac{1}{2}$ " embedment will be adequate and will include a sufficient factor of safety.
3. Considering the wind speed, roof slopes, size and spacing of framing, and condition of the roof, the panel supports shall be placed no greater than 48" on centers.
4. Panel supports connections shall be staggered to distribute load to adjacent framing members.

Based on the above evaluation, this office certifies that with the racking and mounting specified, the existing roof system will adequately support the additional loading imposed by the solar system. This evaluation is in conformance with the North Carolina Residential Code, current industry standards, and is based on information supplied to us at the time of this report.

Should you have any questions regarding the above or if you require further information do not hesitate to contact me.

Very truly yours,


Scott E. Wyssling, PE
North Carolina License No. 46546

THIS PLAN HAS BEEN ELECTRONICALLY SIGNED AND SEALED BY SCOTT WYSSLING, PE USING A DIGITAL SIGNATURE AND DATE. PRINTED COPIES OF THIS DOCUMENT ARE NOT CONSIDERED SIGNED AND SEALED AND THE SIGNATURE MUST BE VERIFIED ON ANY ELECTRONIC COPIES



Wyssling Consulting, PLLC
76 N Meadowbrook Drive
Alpine UT 84004 COA # P-2308

Date Signed 04-01-22

PHOTOVOLTAIC ROOF MOUNT SYSTEM

15 MODULES-ROOF MOUNTED - 5.700 KW DC STC, 5.282 KW DC PTC, 4.350 KW AC

162 REVERE WAY, CAMERON, NC 28326

SUNPRO

22171 MCH RD
MANDEVILLE, LA 70471
PHONE: 9152011490

PROJECT DATA

PROJECT ADDRESS: 162 REVERE WAY, CAMERON, NC 28326

OWNER: DENNIS GORDON

CONTRACTOR: MARC JONES CONSTRUCTION, LLC DBA SUNPRO SOLAR
PHONE: 5052180838

DESIGNER: ESR

SCOPE: 5.700 KW DC ROOF MOUNT SOLAR PV SYSTEM WITH 15 LG ELECTRONICS : LG380N1C-A6 380W PV MODULES WITH 15 ENPHASE IQ7PLUS-72-2-US MICROINVERTERS

AUTHORITIES HAVING JURISDICTION:
BUILDING: HARNETT COUNTY
ZONING: HARNETT COUNTY
UTILITY: CENTRAL EMC

SHEET INDEX

PV-1	COVER SHEET
PV-2	SITE PLAN
PV-3	ROOF PLAN & MODULES
PV-4	ELECTRICAL PLAN
PV-5	STRUCTURAL DETAIL
PV-6	ELECTRICAL LINE DIAGRAM
PV-7	WIRING CALCULATIONS
PV-8	LABELS
PV-9	PLACARD
PV-10	MICRO INVERTER CHART
PV-11+	EQUIPMENT SPECIFICATIONS

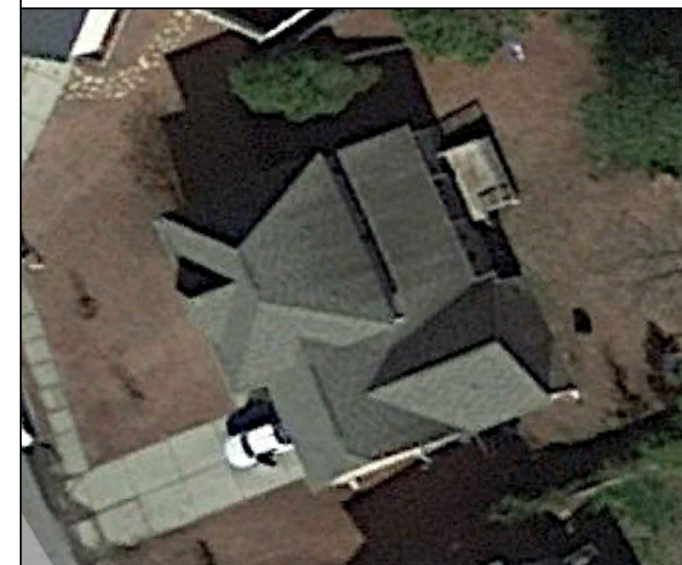
GENERAL NOTES

- ALL COMPONENTS ARE UL LISTED AND CEC CERTIFIED, WHERE WARRANTED.
- THE SOLAR PV SYSTEM WILL BE INSTALLED IN ACCORDANCE WITH ARTICLE 690 OF THE NEC 2017.
- THE UTILITY INTERCONNECTION APPLICATION MUST BE APPROVED AND PV SYSTEM INSPECTED PRIOR TO PARALLEL OPERATION.
- ALL CONDUCTORS OF A CIRCUIT, INCLUDING THE EGC, MUST BE INSTALLED IN THE SAME RACEWAY, OR CABLE, OR OTHERWISE RUN WITH THE PV ARRAY CIRCUIT CONDUCTORS WHEN THEY LEAVE THE VICINITY OF THE PV ARRAY.
- WHERE METALLIC CONDUIT CONTAINING DC CONDUCTORS IS USED INSIDE THE BUILDING, IT SHALL BE IDENTIFIED AS "CAUTION: SOLAR CIRCUIT" EVERY 10FT.
- HEIGHT OF THE AC DISCONNECT SHALL NOT EXCEED 6'-7" PER NEC CODE 240.24.
- A GROUNDING ELECTRODE SYSTEM IN ACCORDANCE WITH CEC 690.47 AND 250.50 THROUGH 60 AND 250-166 SHALL BE PROVIDED. PER NEC GROUNDING ELECTRODE SYSTEM OF EXISTING BUILDING MAY BE USED AND BONDED TO THE SERVICE ENTRANCE. IF EXISTING SYSTEM IS INACCESSIBLE OR INADEQUATE A SUPPLEMENTAL GROUNDING ELECTRODE WILL BE USED AT THE INVERTER LOCATION CONSISTING OF A UL LISTED 8 FT. GROUND ROD WITH ACORN CLAMP. GROUNDING ELECTRODE CONDUCTORS SHALL BE NO LESS THAN #8 AWG AND NO LARGER THAN #6 AWG COPPER AND BONDED TO THE EXISTING GROUNDING ELECTRODE TO PROVIDE FOR A COMPLETE SYSTEM.
- PHOTOVOLTAIC MODULES ARE TO BE CONSIDERED NON-COMBUSTIBLE.
- PHOTOVOLTAIC INSTALLATION WILL NOT OBSTRUCT ANY PLUMBING, MECHANICAL, OR BUILDING ROOF VENTS.
- ALL WIRING MUST BE PROPERLY SUPPORTED BY DEVICES OR MECHANICAL MEANS DESIGNED AND LISTED FOR SUCH USE. WIRING MUST BE PERMANENTLY AND COMPLETELY HELD OFF THE ROOF SURFACE.
- ALL SINAGE TO BE PLACED IN ACCORDANCE WITH THE LOCAL BUILDING CODE. IF EXPOSED TO SUNLIGHT, IT SHALL BE UV RESISTANT. ALL PLAQUES AND SINAGE WILL BE INSTALLED AS REQUIRED BY THE NEC AND AHJ.
- INVERTER(S) USED IN UNGROUNDED SYSTEM SHALL BE UL 1741 LISTED.
- THE INSTALLATION OF EQUIPMENT AND ALL ASSOCIATED WIRING AND INTERCONNECTION SHALL BE PERFORMED ONLY BY QUALIFIED PERSONS [NEC 690.4(C)]
- ALL OUTDOOR EQUIPMENT SHALL BE NEMA 3R RATED (OR BETTER), INCLUDING ALL ROOF MOUNTED TRANSITION BOXES AND SWITCHES.
- ALL EQUIPMENT SHALL BE PROPERLY GROUNDED AND BONDED IN ACCORDANCE WITH NEC ARTICLE 250.
- SYSTEM GROUNDING SHALL BE IN ACCORDANCE WITH NEC 690.41.
- PV SYSTEM CIRCUITS INSTALLED ON OR IN BUILDINGS SHALL INCLUDE A RAPID SHUTDOWN FUNCTION IN ACCORDANCE WITH NEC 690.12
- DISCONNECTING MEANS SHALL BE LOCATED IN A VISIBLE, READILY ACCESSIBLE LOCATION WITHIN THE PV SYSTEM EQUIPMENT OR A MAXIMUM OF 10 FEET AWAY FROM THE SYSTEM [NEC 690.13(A)]
- ALL WIRING METHODS SHALL BE IN ACCORDANCE WITH NEC 690.31
- WORK CLEARANCES AROUND ELECTRICAL EQUIPMENT WILL BE MAINTAINED PER NEC 110.26(A)(1), 110.26(A)(2) AND 110.26(A)(3).
- ROOFTOP MOUNTED PHOTOVOLTAIC PANELS AND MODULES SHALL BE TESTED, LISTED & IDENTIFIED IN ACCORDANCE WITH UL1703
- ELECTRICAL CONTRACTOR TO PROVIDE CONDUIT EXPANSION JOINTS AND ANCHOR CONDUIT RUNS AS REQUIRED PER NEC.

VICINITY MAP



HOUSE PHOTO



CODE REFERENCES

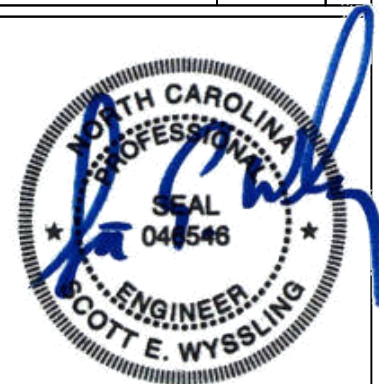
PROJECT TO COMPLY WITH THE FOLLOWING:

2018 NORTH CAROLINA BUILDING CODE
2018 NORTH CAROLINA RESIDENTIAL CODE
2018 NORTH CAROLINA FIRE CODE
2017 NATIONAL ELECTRICAL CODE

THIS PLAN HAS BEEN ELECTRONICALLY SIGNED AND SEALED BY SCOTT WYSSLING, PE USING A DIGITAL SIGNATURE AND DATE. PRINTED COPIES OF THIS DOCUMENT ARE NOT CONSIDERED SIGNED AND SEALED AND THE SIGNATURE MUST BE VERIFIED ON ANY ELECTRONIC COPIES

REVISIONS

DESCRIPTION	DATE	REV
INITIAL DESIGN	03/31/2022	



Wyssling Consulting, PLLC
76 N Meadowbrook Drive Alpine UT 84004
North Carolina COA # P-2308

Date Signed 04-01-22

DATE: 03/31/2022

PROJECT NAME & ADDRESS

DENNIS GORDON
RESIDENCE
162 REVERE WAY,
CAMERON, NC 28326

SHEET NAME

COVER SHEET

SHEET SIZE

ANSI B
11" X 17"

SHEET NUMBER

PV-1

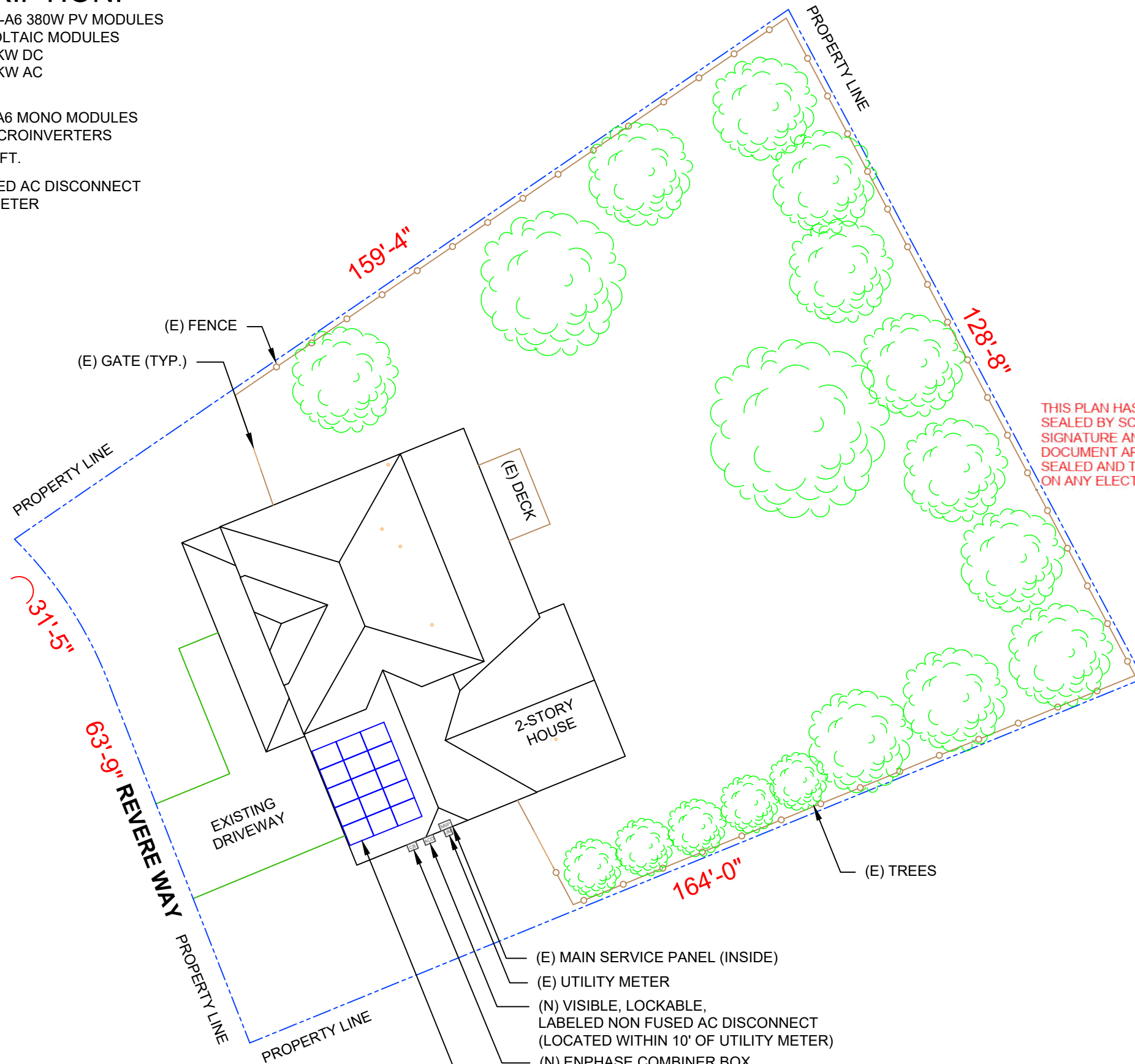
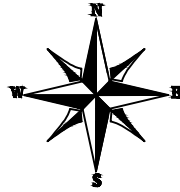
PROJECT DESCRIPTION:

15 X LG ELECTRONICS : LG380N1C-A6 380W PV MODULES
 ROOF MOUNTED SOLAR PHOTOVOLTAIC MODULES
 DC SYSTEM SIZE: 15 x 380 = 5.700KW DC
 AC SYSTEM SIZE: 15 x 290 = 4.350KW AC

EQUIPMENT SUMMARY

15 LG ELECTRONICS :LG380N1C-A6 MONO MODULES
 15 ENPHASE IQ7PLUS-72-2-US MICROINVERTERS
 ROOF ARRAY AREA #1:- 292.65 SQ FT.

NOTE: VISIBLE, LOCKABLE, LABELED AC DISCONNECT
 LOCATED WITHIN 10' OF UTILITY METER



THIS PLAN HAS BEEN ELECTRONICALLY SIGNED AND SEALED BY SCOTT WYSSLING, PE USING A DIGITAL SIGNATURE AND DATE. PRINTED COPIES OF THIS DOCUMENT ARE NOT CONSIDERED SIGNED AND SEALED AND THE SIGNATURE MUST BE VERIFIED ON ANY ELECTRONIC COPIES



22171 MCH RD
 MANDEVILLE, LA 70471
 PHONE: 9152011490

REVISIONS

DESCRIPTION	DATE	REV
INITIAL DESIGN	03/31/2022	



Wyssling Consulting, PLLC
 76 N Meadowbrook Drive Alpine UT 84004
 North Carolina COA # P-2308

Date Signed 04-01-22

DATE: 03/31/2022

PROJECT NAME & ADDRESS

DENNIS GORDON
 RESIDENCE
 162 REVERE WAY,
 CAMERON, NC 28326

SHEET NAME

SITE PLAN

SHEET SIZE

ANSI B
 11" X 17"

SHEET NUMBER

PV-2

1 | SITE PLAN

PV-2 | SCALE: 1"=20'-0"

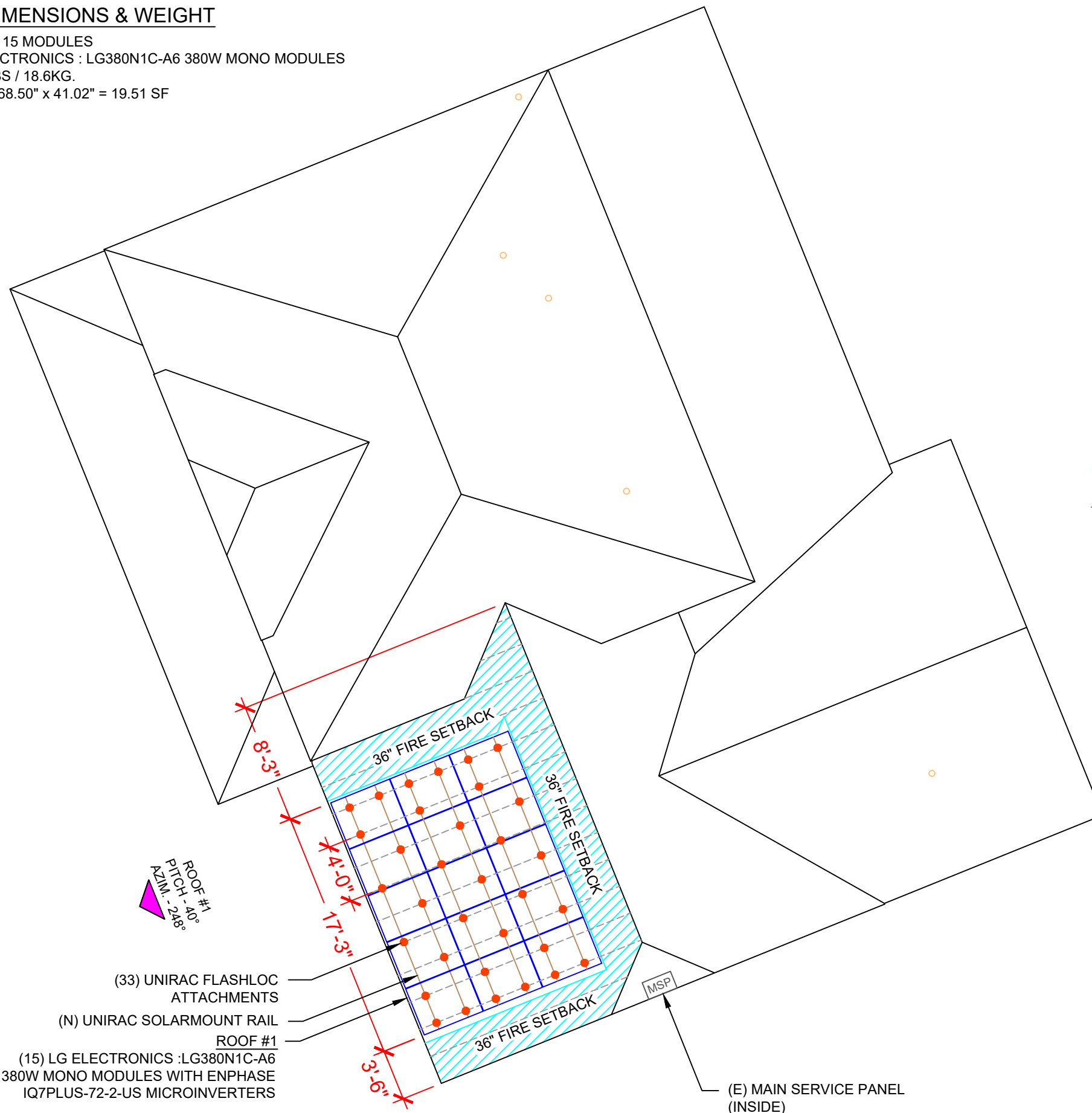
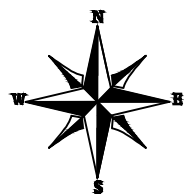
DESIGN SPECIFICATION

OCCUPANCY: II
 CONSTRUCTION: SINGLE-FAMILY
 ZONING: RESIDENTIAL
 GROUND SNOW LOAD: REFER STRUCTURAL LETTER
 WIND EXPOSURE: REFER STRUCTURAL LETTER
 WIND SPEED: REFER STRUCTURAL LETTER

ROOF #1
 (15) LG ELECTRONICS :LG380N1C-A6
 380W MONO MODULES WITH ENPHASE
 IQ7PLUS-72-2-US MICROINVERTERS

MODULE TYPE, DIMENSIONS & WEIGHT

NUMBER OF MODULES = 15 MODULES
 MODULE TYPE = LG ELECTRONICS : LG380N1C-A6 380W MONO MODULES
 MODULE WEIGHT = 41 LBS / 18.6KG.
 MODULE DIMENSIONS = 68.50" x 41.02" = 19.51 SF



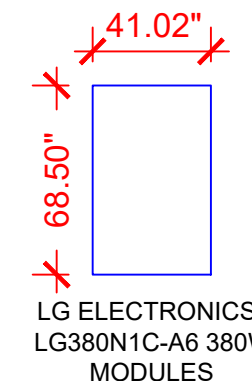
- (33) UNIRAC FLASHLOC ATTACHMENTS
- (N) UNIRAC SOLARMOUNT RAIL
- ROOF #1
- (15) LG ELECTRONICS :LG380N1C-A6 380W MONO MODULES WITH ENPHASE IQ7PLUS-72-2-US MICROINVERTERS

(E) MAIN SERVICE PANEL (INSIDE)

ROOF DESCRIPTION				
ROOF TYPE			ASPHALT SHINGLE	
ROOF	ROOF PITCH	AZIMUTH	TRUSS SIZE	TRUSS SPACING
#1	40°	248°	2X4	24"

ARRAY AREA & ROOF AREA CALC'S			
TOTAL # OF MODULES	TOTAL ARRAY AREA (Sq. Ft.)	TOTAL ROOF AREA (Sq. Ft.)	ROOF AREA COVERED BY ARRAY (%)
15	292.69	3167.26	9

THIS PLAN HAS BEEN ELECTRONICALLY SIGNED AND SEALED BY SCOTT WYSSLING, PE USING A DIGITAL SIGNATURE AND DATE. PRINTED COPIES OF THIS DOCUMENT ARE NOT CONSIDERED SIGNED AND SEALED AND THE SIGNATURE MUST BE VERIFIED ON ANY ELECTRONIC COPIES



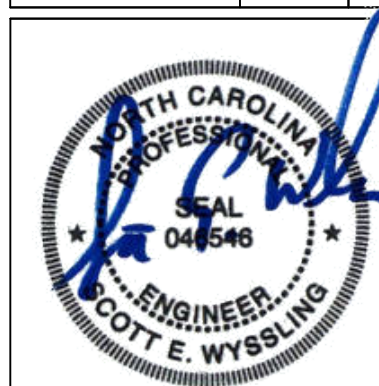
LEGEND

- [JB] - JUNCTION BOX
- [SD] - SOLADECK
- [INV] - INVERTER
- [CB] - COMBINER BOX
- [ACD] - AC DISCONNECT
- [UM] - UTILITY METER
- [MSP] - MAIN SERVICE PANEL
- [] - VENT, ATTIC FAN (ROOF OBSTRUCTION)
- - ROOF ATTACHMENT
- — - RAFTER
- - - - - CONDUIT



22171 MCH RD
 MANDEVILLE, LA 70471
 PHONE: 9152011490

REVISIONS		
DESCRIPTION	DATE	REV
INITIAL DESIGN	03/31/2022	



Wyssling Consulting, PLLC
 76 N Meadowbrook Drive Alpine UT 84004
 North Carolina COA # P-2308

Date Signed 04-01-22

DATE: 03/31/2022

PROJECT NAME & ADDRESS

DENNIS GORDON
 RESIDENCE
 162 REVERE WAY,
 CAMERON, NC 28326

SHEET NAME
ROOF PLAN & MODULES

SHEET SIZE
**ANSI B
 11" X 17"**

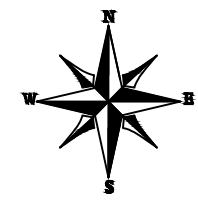
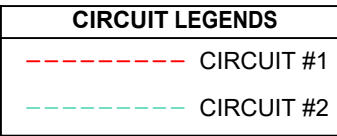
SHEET NUMBER
PV-3

1 ROOF PLAN & MODULES

PV-3

SCALE: 1/8" = 1'-0"

DC SYSTEM SIZE: 15 x 380 = 5.700KW DC
 AC SYSTEM SIZE: 15 x 290 = 4.350KW AC
 (15) LG ELECTRONICS : LG380N1C-A6 380W MONO MODULES
 WITH (15) ENPHASE IQ7PLUS-72-2-US MICROINVERTERS
 LOCATED UNDER EACH PANEL (240V)



BILL OF MATERIALS		
EQUIPMENT	QTY	DESCRIPTION
SOLAR PV MODULES	15	LG ELECTRONICS : LG380N1C-A6 380W MODULE
MICRO INVERTERS	15	ENPHASE IQ7PLUS-72-2-US MICROINVERTERS
SOLADECK	1	SOLADECK
RAIL	8	UNIRAC SM STANDARD RAIL, 168" SILVER
SPLICE	6	SPLICE KIT
MID MODULE CLAMPS	24	MID MODULE CLAMPS
END CLAMPS	12	END CLAMPS / STOPPER SLEEVE
ATTACHMENTS	33	UNIRAC FLASHLOC ATTACHMENT
INVERTER MOUNT CLIP	15	INVERTER MOUNT CLIP
INVERTER T-BOLTS	15	INVERTER T-BOLTS
TRUNK CABLES	18	TRUNK CABLES
GROUND LUGS	2	GROUND LUGS
TP LINKS	1	TP LINKS
TERMINAL BLOCKS	5	TERMINAL BLOCKS
ZIPTIES	100	ZIPTIES
TRUNK BRANCH TERMINAL	6	TRUNK BRANCH TERMINAL
TRUNK WATER TIGHT COVER	6	TRUNK WATER TIGHT COVER

SUNPRO

22171 MCH RD
 MANDEVILLE, LA 70471
 PHONE: 9152011490

REVISIONS		
DESCRIPTION	DATE	REV
INITIAL DESIGN	03/31/2022	

DATE: 03/31/2022

PROJECT NAME & ADDRESS

DENNIS GORDON
 RESIDENCE
 162 REVERE WAY,
 CAMERON, NC 28326

SHEET NAME

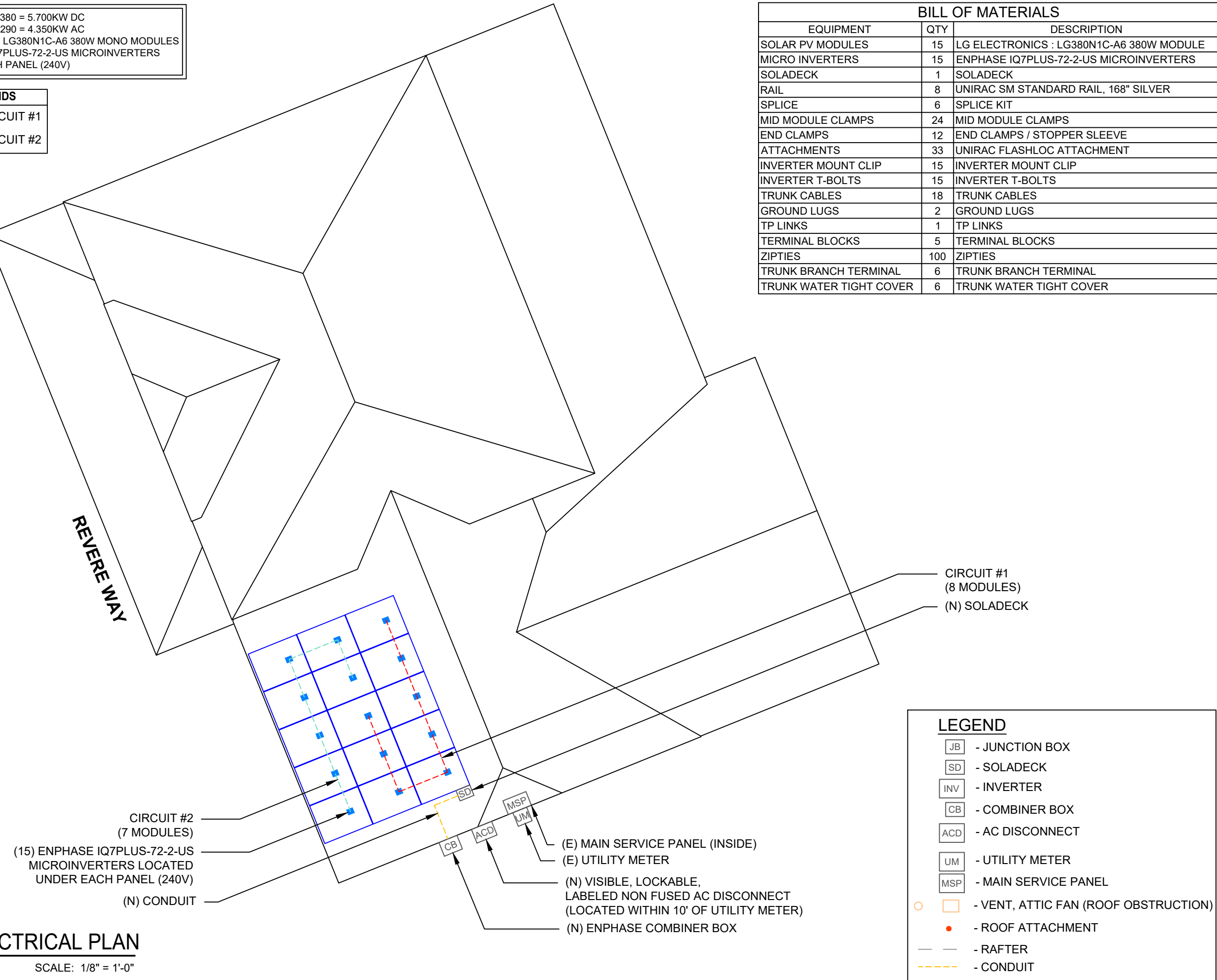
ELECTRICAL PLAN

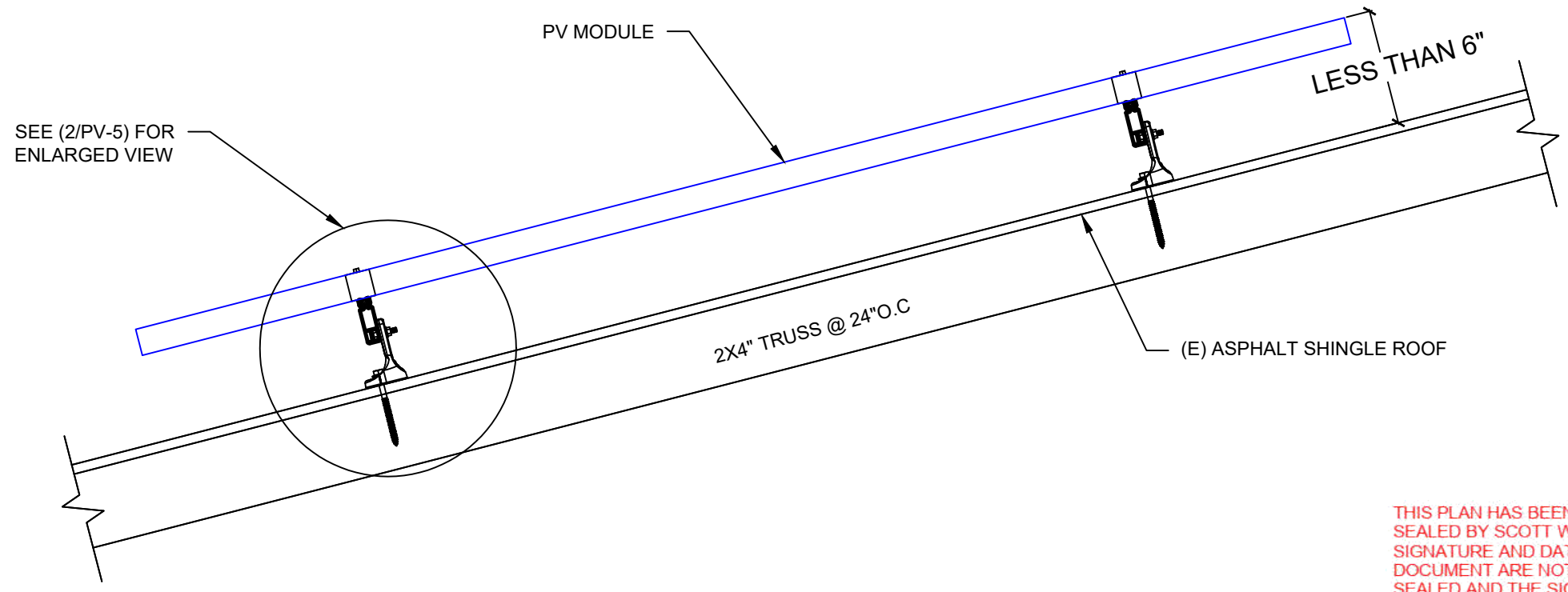
SHEET SIZE

ANSI B
 11" X 17"

SHEET NUMBER

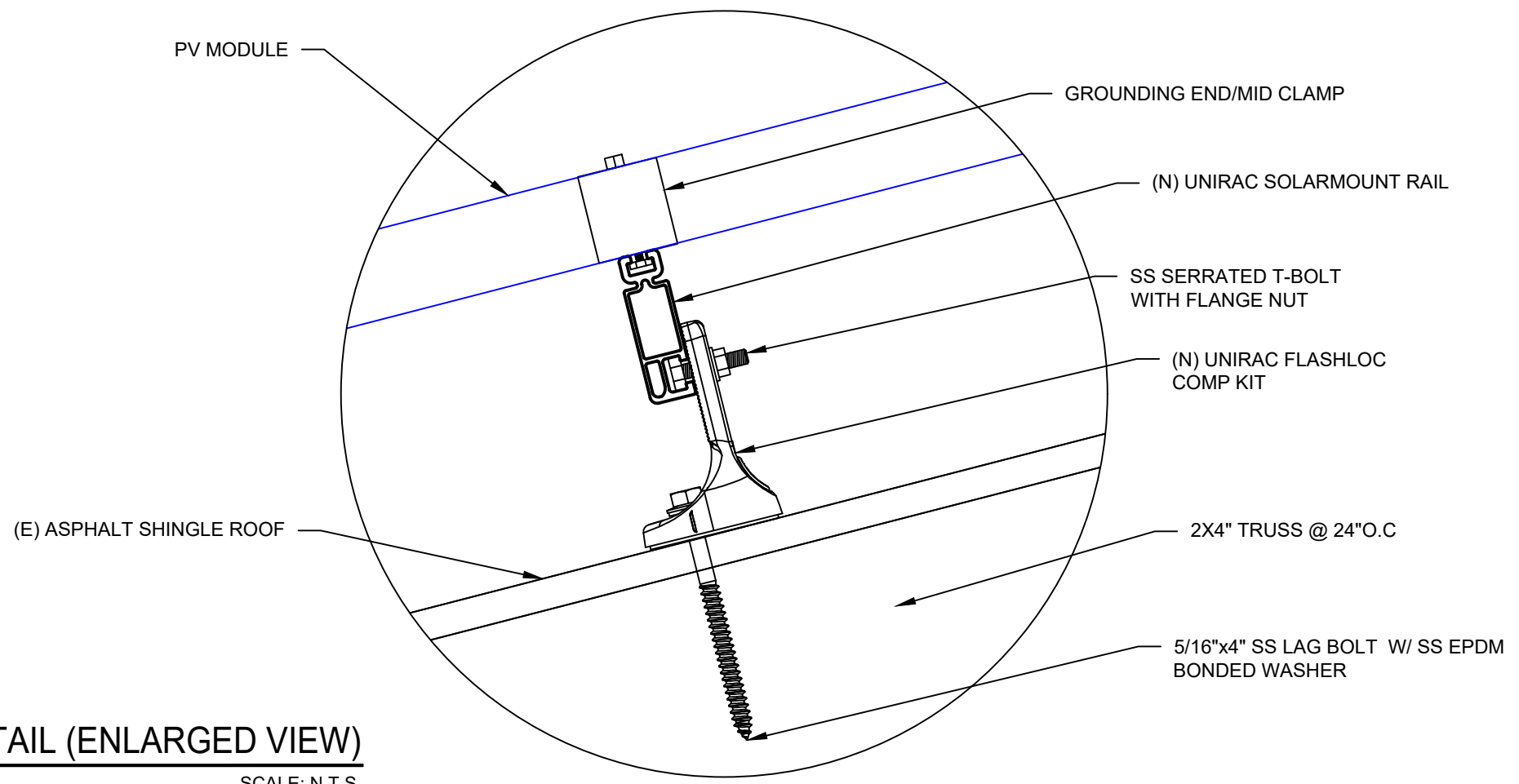
PV-4





THIS PLAN HAS BEEN ELECTRONICALLY SIGNED AND SEALED BY SCOTT WYSSLING, PE USING A DIGITAL SIGNATURE AND DATE. PRINTED COPIES OF THIS DOCUMENT ARE NOT CONSIDERED SIGNED AND SEALED AND THE SIGNATURE MUST BE VERIFIED ON ANY ELECTRONIC COPIES

1 ATTACHMENT DETAIL
 PV-5 SCALE: N.T.S.



2 ATTACHMENT DETAIL (ENLARGED VIEW)
 PV-5 SCALE: N.T.S.



22171 MCH RD
 MANDEVILLE, LA 70471
 PHONE: 9152011490

REVISIONS		
DESCRIPTION	DATE	REV
INITIAL DESIGN	03/31/2022	



Wyssling Consulting, PLLC
 76 N Meadowbrook Drive Alpine UT 84004
 North Carolina COA # P-2308

Date Signed 04-01-22

DATE: 03/31/2022

PROJECT NAME & ADDRESS

DENNIS GORDON
 RESIDENCE
 162 REVERE WAY,
 CAMERON, NC 28326

SHEET NAME
STRUCTURAL DETAIL

SHEET SIZE
**ANSI B
 11" X 17"**

SHEET NUMBER
PV-5

DC SYSTEM SIZE: 15 x 380 = 5.700KW DC
 AC SYSTEM SIZE: 15 x 290 = 4.350KW AC

(15) LG ELECTRONICS : LG380N1C-A6 380W MONO MODULES
 WITH (15) ENPHASE IQ7PLUS-72-2-US MICROINVERTERS
 LOCATED UNDER EACH PANEL (240V)
 (1) BRANCH CIRCUIT OF 08 MODULES AND
 (1) BRANCH CIRCUIT OF 07 MODULES CONNECTED IN PARALLEL

OCPD CALCULATIONS:

NEC 690.9(B)
 (15 IQ7 PLUS) * 1.21A * 1.25
 =22.69A

BACKFEED BREAKER CALCULATION (120% RULE):

(MAIN BUSS X 1.2 - MAIN BREAKER) >= (INVERTER
 CURRENT*1.25)
 (200A X 1.2 - 200A) >= (22.69A)
 (40A) >= (22.69A) HENCE OK

INTERCONNECTION NOTES:

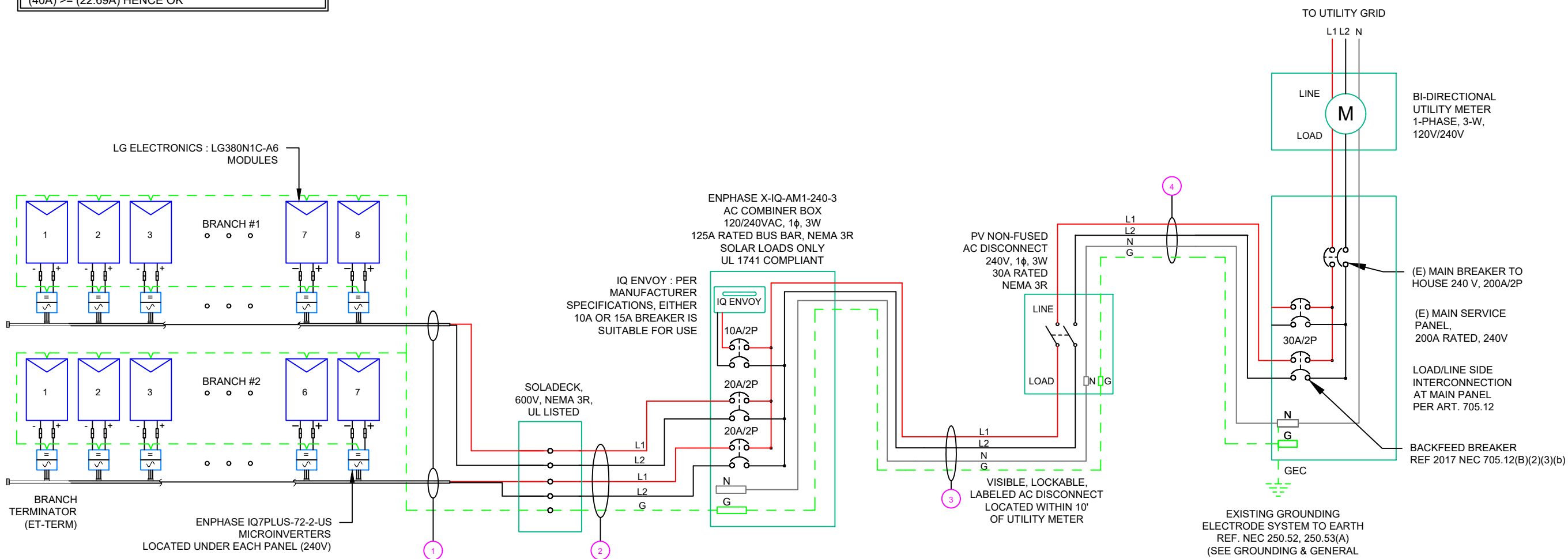
1. INTERCONNECTION SIZING, LIMITATIONS AND COMPLIANCE DETERMINED IN ACCORDANCE WITH [NEC 705.12], AND [NEC 690.59].
2. GROUND FAULT PROTECTION IN ACCORDANCE WITH [NEC 215.9], [NEC 230.95].
3. ALL EQUIPMENT TO BE RATED FOR BACKFEEDING.
4. PV BREAKER TO BE POSITIONED AT THE OPPOSITE END OF THE BUSBAR RELATIVE TO THE MAIN BREAKER.

DISCONNECT NOTES:

1. DISCONNECTING SWITCHES SHALL BE WIRED SUCH THAT WHEN THE SWITCH IS OPENED THE CONDUCTORS REMAINING LIVE ARE CONNECTED TO THE TERMINALS MARKED "LINE SIDE" (TYPICALLY THE UPPER TERMINALS)
2. AC DISCONNECT MUST BE ACCESSIBLE TO QUALIFIED UTILITY PERSONNEL, BE LOCKABLE, AND BE A VISIBLE-BREAK SWITCH
3. DISCONNECT MEANS AND THEIR LOCATION SHALL BE IN ACCORDANCE WITH [NEC 225.31] AND [NEC 225.32].

GROUNDING & GENERAL NOTES:

1. PV GROUNDING ELECTRODE SYSTEM NEEDS TO BE INSTALLED IN ACCORDANCE WITH [NEC 690.43]
2. PV INVERTER IS UNGROUNDED, TRANSFORMER-LESS TYPE.
3. DC GEC AND AC EGC TO REMAIN UNSPLICED, OR SPLICED TO EXISTING ELECTRODE
4. ANY EXISTING WIRING INVOLVED WITH PV SYSTEM CONNECTION THAT IS FOUND TO BE INADEQUATE PER CODE SHALL BE CORRECTED PRIOR TO FINAL INSPECTION.
5. SOLADECK QUANTITIES, AND PLACEMENT SUBJECT TO CHANGE IN THE FIELD - SOLADECK DEPICTED ON ELECTRICAL DIAGRAM REPRESENT WIRE TYPE TRANSITIONS.
6. AC DISCONNECT NOTED IN EQUIPMENT SCHEDULE OPTIONAL IF OTHER AC DISCONNECTING MEANS IS LOCATED WITHIN 10' OF SERVICE DISCONNECT.
7. RACEWAYS AND CABLES EXPOSED TO SUNLIGHT ON ROOFTOPS SHOULD BE INSTALLED MORE THAN 7/8" ABOVE THE ROOF USING CONDUIT SUPPORTS.
8. VERIFY UFER/EXISTING ROD OR ADD TWO GROUNDING RODS(5/8" X 8' EMBEDMENT) SPACED 6 FEET MINIMUM APART.
9. BOND COLD WATER AND GAS LINES(IF PRESENT) TO GROUNDING ELECTRODE CONDUCTOR



(GN) GENERAL NOTES :

1. CONDUIT TO BE UL LISTED FOR WET LOCATION AND UV PROTECTED (EX. -EMT, SCH 80 PVC OR RMC).
2. FMC MAYBE USED IN INDOOR APPLICATIONS WHERE PERMITTED BY NEC ART. 348

QTY	CONDUCTOR INFORMATION	CONDUIT TYPE	CONDUIT SIZE
① (4)	#12AWG - Q CABLE (L1 & L2 NO NEUTRAL)	N/A	N/A
(1)	#6AWG - BARE COPPER IN FREE AIR		
② (4)	#12AWG - THWN-2 (L1,L2) (EXTERIOR) / #12/2 ROMEX IN ATTIC	EMT, LFMC OR PVC	1"
(1)	#6AWG - THWN-2 GND		
(2)	#10AWG - THWN-2 (L1,L2)		
③ (1)	#10AWG - THWN-2 N	EMT, LFMC OR PVC	1"
(1)	#6AWG - THWN-2 GND		
(2)	#10AWG - THWN-2 (L1,L2)		
④ (1)	#10AWG - THWN-2 N	EMT, LFMC OR PVC	1"
(1)	#6AWG - THWN-2 GND		

1 | ELECTRICAL LINE DIAGRAM

PV-6

SCALE: NTS

SUNPRO

22171 MCH RD
 MANDEVILLE, LA 70471
 PHONE: 9152011490

REVISIONS

DESCRIPTION	DATE	REV
INITIAL DESIGN	03/31/2022	

DATE: 03/31/2022

PROJECT NAME & ADDRESS

DENNIS GORDON
 RESIDENCE
 162 REVERE WAY,
 CAMERON, NC 28326

SHEET NAME

ELECTRICAL LINE DIAGRAM

SHEET SIZE

ANSI B
 11" X 17"

SHEET NUMBER

PV-6

INVERTER SPECIFICATIONS	
MANUFACTURER / MODEL #	ENPHASE IQ7PLUS-72-2-US MICROINVERTERS
MIN/MAX DC VOLT RATING	22V MIN/ 60V MAX
MAX INPUT POWER	235W-440W
NOMINAL AC VOLTAGE RATING	240V/ 211-264V
MAX AC CURRENT	1.21A
MAX MODULES PER CIRCUIT	13 (SINGLE PHASE)
MAX OUTPUT POWER	290 VA

SOLAR MODULE SPECIFICATIONS	
MANUFACTURER / MODEL #	LG ELECTRONICS : LG380N1C-A6 380W MODULE
VMP	35.7V
IMP	10.65A
VOC	41.9V
ISC	11.39A
TEMP. COEFF. VOC	-0.26%/°C
MODULE DIMENSION	68.50"L x 41.02"W x 1.57"D (In Inch)

AMBIENT TEMPERATURE SPECS	
RECORD LOW TEMP	-10°
AMBIENT TEMP (HIGH TEMP 2%)	36°
MODULE TEMPERATURE COEFFICIENT OF Voc	-0.26%/°C

PERCENT OF VALUES	NUMBER OF CURRENT CARRYING CONDUCTORS IN EMT
.80	4-6
.70	7-9
.50	10-20

AC CALCULATIONS																						
CIRCUIT ORIGIN	CIRCUIT DESTINATION	VOLTAGE (V)	FULL LOAD AMPS "FLA" (A)	FLA*1.25 (A)	OC PD SIZE (A)	NEUTRAL SIZE	GROUND SIZE	CONDUCTOR SIZE	75°C AMPACITY (A)	AMPACITY CHECK #1	AMBIENT TEMP. (°C)	TOTAL CC CONDUCTORS IN RACEWAY	90°C AMPACITY (A)	DERATION FACTOR FOR AMBIENT TEMPERATURE NEC 310.15(B)(2)(a)	DERATION FACTOR FOR CONDUCTORS PER RACEWAY NEC 310.15(B)(3)(a)	90°C AMPACITY DERATED (A)	AMPACITY CHECK #2	FEEDER LENGTH (FEET)	CONDUCTOR RESISTANCE (OHM/KFT)	VOLTAGE DROP AT FLA (%)	CONDUIT SIZE	CONDUIT FILL (%)
CIRCUIT 1	SOLADECK	240	9.68	12.1	20	N/A	BARE COPPER #6 AWG	CU #12 AWG	25	PASS	36	2	30	0.91	1	27.3	PASS			0.31	N/A	#N/A
CIRCUIT 2	SOLADECK	240	8.47	10.5875	20	N/A	BARE COPPER #6 AWG	CU #12 AWG	25	PASS	36	2	30	0.91	1	27.3	PASS			0.24	N/A	#N/A
SOLADECK	COMBINER PANEL 1	240	9.68	12.1	20	N/A	CU #6 AWG	CU #12 AWG	25	PASS	36	4	30	0.91	0.8	21.84	PASS	30	1.98	0.479	1" PVC	12.48798
COMBINER PANEL 1	AC DISCONNECT	240	18.15	22.6875	30	CU #10 AWG	CU #6 AWG	CU #10 AWG	35	PASS	36	2	40	0.91	1	36.4	PASS	5	1.24	0.094	1" PVC	13.70192
AC DISCONNECT	POI	240	18.15	22.6875	30	CU #10 AWG	CU #6 AWG	CU #10 AWG	35	PASS	36	2	40	0.91	1	36.4	PASS	5	1.24	0.094	1" PVC	13.70192

Circuit 1 Voltage Drop	0.977
Circuit 2 Voltage Drop	0.907

SUNPRO

22171 MCH RD
MANDEVILLE, LA 70471
PHONE: 9152011490

REVISIONS

DESCRIPTION	DATE	REV
INITIAL DESIGN	03/31/2022	

DATE: 03/31/2022

PROJECT NAME & ADDRESS

DENNIS GORDON
RESIDENCE
162 REVERE WAY,
CAMERON, NC 28326

SHEET NAME
WIRING CALCULATIONS

SHEET SIZE

ANSI B
11" X 17"

SHEET NUMBER

PV-7

ELECTRICAL NOTES

- ALL EQUIPMENT TO BE LISTED BY UL OR OTHER NRTL, AND LABELED FOR ITS APPLICATION.
- ALL CONDUCTORS SHALL BE COPPER, RATED FOR 600 V AND 90 DEGREE C WET ENVIRONMENT.
- WIRING, CONDUIT, AND RACEWAYS MOUNTED ON ROOFTOPS SHALL BE ROUTED DIRECTLY TO, AND LOCATED AS CLOSE AS POSSIBLE TO THE NEAREST RIDGE, HIP, OR VALLEY.
- WORKING CLEARANCES AROUND ALL NEW AND EXISTING ELECTRICAL EQUIPMENT SHALL COMPLY WITH NEC 110.26.
- DRAWINGS INDICATE THE GENERAL ARRANGEMENT OF SYSTEMS. CONTRACTOR SHALL FURNISH ALL NECESSARY OUTLETS, SUPPORTS, FITTINGS AND ACCESSORIES TO FULFILL APPLICABLE CODES AND STANDARDS.
- WHERE SIZES OF SOLADECK, RACEWAYS, AND CONDUITS ARE NOT SPECIFIED, THE CONTRACTOR SHALL SIZE THEM ACCORDINGLY.
- ALL WIRE TERMINATIONS SHALL BE APPROPRIATELY LABELED AND READILY VISIBLE.
- MODULE GROUNDING CLIPS TO BE INSTALLED BETWEEN MODULE FRAME AND MODULE SUPPORT RAIL, PER THE GROUNDING CLIP MANUFACTURER'S INSTRUCTION.
- MODULE SUPPORT RAIL TO BE BONDED TO CONTINUOUS COPPER G.E.C. VIA WEEB LUG OR ILSCO GBL-4DBT LAY-IN LUG.
- TEMPERATURE RATINGS OF ALL CONDUCTORS, TERMINATIONS, BREAKERS, OR OTHER DEVICES ASSOCIATED WITH THE SOLAR PV SYSTEM SHALL BE RATED FOR AT LEAST 75 DEGREE C.

**CAUTION:
AUTHORIZED SOLAR
PERSONNEL ONLY!**

LABEL- 1:
LABEL LOCATION:
AC DISCONNECT

WARNING
ELECTRICAL SHOCK HAZARD
TERMINALS ON THE LINE AND LOAD SIDES MAY
BE ENERGIZED IN THE OPEN POSITION

LABEL- 2:
LABEL LOCATION:
AC DISCONNECT
COMBINER
MAIN SERVICE PANEL
SUBPANEL
MAIN SERVICE DISCONNECT
CODE REF: NEC 690.13(B)

**WARNING DUAL POWER SOURCE
SECOND SOURCE IS PHOTOVOLTAIC SYSTEM**

LABEL- 3:
LABEL LOCATION:
PRODUCTION METER
UTILITY METER
MAIN SERVICE PANEL
SUBPANEL
CODE REF: NEC 705.12(C) & NEC 690.59

WARNING
**TURN OFF PHOTOVOLTAIC AC
DISCONNECT PRIOR TO
WORKING INSIDE PANEL**

LABEL- 4:
LABEL LOCATION:
MAIN SERVICE PANEL
SUBPANEL
MAIN SERVICE DISCONNECT
COMBINER
CODE REF: NEC 110.27(C) & OSHA 1910.145 (f) (7)

CAUTION
**PHOTOVOLTAIC SYSTEM CIRCUIT IS
BACKFEED**

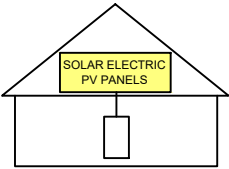
LABEL- 5:
LABEL LOCATION:
MAIN SERVICE PANEL (ONLY IF SOLAR IS BACK-FED)
SUBPANEL (ONLY IF SOLAR IS BACK-FED)
CODE REF: NEC 705.12(D) & NEC 690.59

WARNING
**POWER SOURCE OUTPUT
CONNECTION. DO NOT
RELOCATE THIS
OVERCURRENT DEVICE**

LABEL- 6:
LABEL LOCATION:
MAIN SERVICE PANEL (ONLY IF SOLAR IS BACK-FED)
SUBPANEL (ONLY IF SOLAR IS BACK-FED)
CODE REF: NEC 705.12(B)(3)(2)

**SOLAR PV SYSTEM EQUIPPED
WITH RAPID SHUTDOWN**

TURN RAPID SHUTDOWN
SWITCH TO THE
"OFF" POSITION TO
SHUT DOWN PV SYSTEM
AND REDUCE
SHOCK HAZARD
IN THE ARRAY



LABEL- 7:
LABEL LOCATION:
AC DISCONNECT
CODE REF: IFC 605.11.3.1(1) & NEC 690.56(C)

**RAPID SHUTDOWN SWITCH
FOR SOLAR PV SYSTEM**

LABEL- 8:
LABEL LOCATION:
AC DISCONNECT
CODE REF: NEC 690.56(C)(2)

**PHOTOVOLTAIC
AC DISCONNECT**

LABEL- 9:
LABEL LOCATION:
AC DISCONNECT
CODE REF: NEC 690.13(B)

**PHOTOVOLTAIC
AC DISCONNECT**
NOMINAL OPERATING AC VOLATGE **240 V**
RATED AC OUTPUT CURRENT **18.15 A**

LABEL- 10:
LABEL LOCATION:
MAIN SERVICE PANEL
SUBPANEL
AC DISCONNECT
CODE REF: NEC 690.54

**MAIN PHOTOVOLTAIC
SYSTEM DISCONNECT**

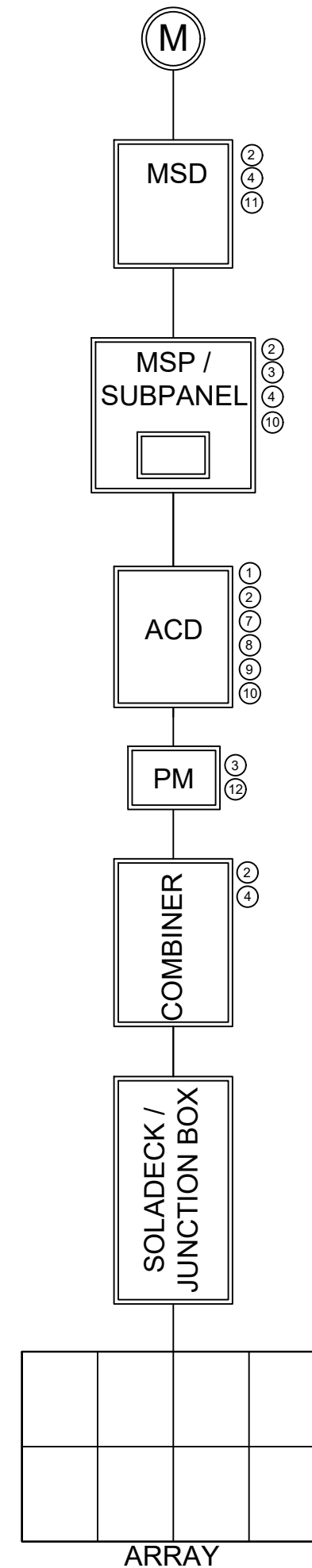
LABEL- 11:
LABEL LOCATION:
MAIN SERVICE DISCONNECT (ONLY IF MAIN SERVICE DISCONNECT IS PRESENT)
CODE REF: NEC 690.13(B)

PRODUCTION METER

LABEL- 12:
LABEL LOCATION:
PRODUCTION METER (ONLY IF PRODUCTION METER IS USED)

NOTE:

** ELECTRICAL DIAGRAM SHOWN IS FOR LABELING PURPOSES ONLY. NOT AN ACTUAL REPRESENTATION OF EQUIPMENT AND CONNECTIONS TO BE INSTALLED. LABEL LOCATIONS PRESENTED MAY VARY DEPENDING ON TYPE OF INTERCONNECTION METHOD AND LOCATION PRESENTED ELECTRICAL DIAGRAM PAGE. **



SUNPRO

22171 MCH RD
MANDEVILLE, LA 70471
PHONE: 9152011490

REVISIONS		
DESCRIPTION	DATE	REV
INITIAL DESIGN	03/31/2022	

DATE: 03/31/2022

PROJECT NAME & ADDRESS
**DENNIS GORDON
RESIDENCE**
162 REVERE WAY,
CAMERON, NC 28326

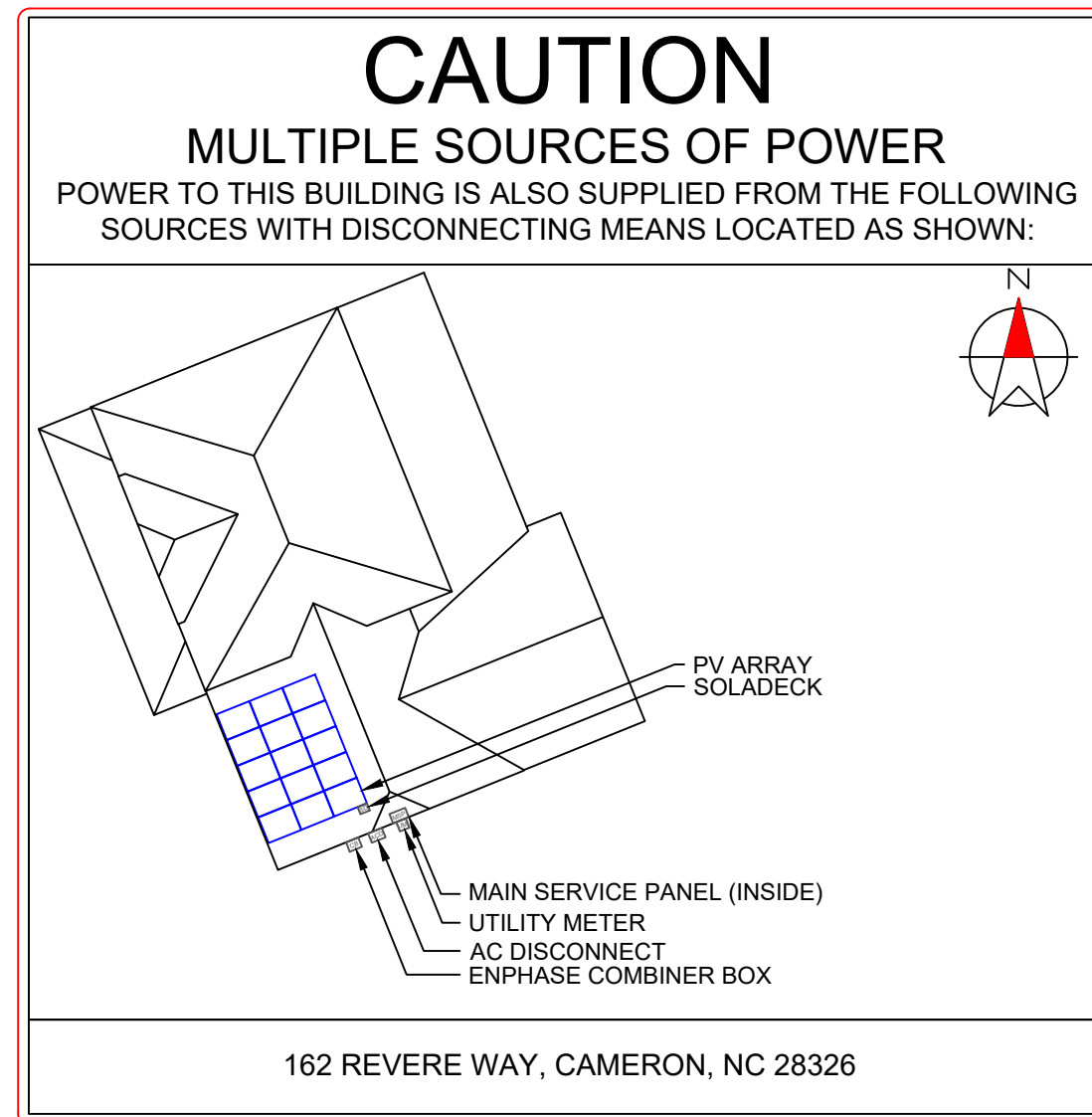
SHEET NAME
LABELS

SHEET SIZE
**ANSI B
11" X 17"**

SHEET NUMBER
PV-8

REVISIONS

DESCRIPTION	DATE	REV
INITIAL DESIGN	03/31/2022	



DIRECTORY

PERMANENT PLAQUE OR DIRECTORY PROVIDING THE LOCATION OF THE SERVICE DISCONNECTING MEANS AND THE PHOTOVOLTAIC SYSTEM.

(ALL PLAQUES AND SIGNAGE WILL BE INSTALLED AS OUTLINED WITHIN: NEC 690.56(B)&(C), [NEC 705.10])

DATE: 03/31/2022

PROJECT NAME & ADDRESS

**DENNIS GORDON
 RESIDENCE**
 162 REVERE WAY,
 CAMERON, NC 28326

SHEET NAME
PLACARD

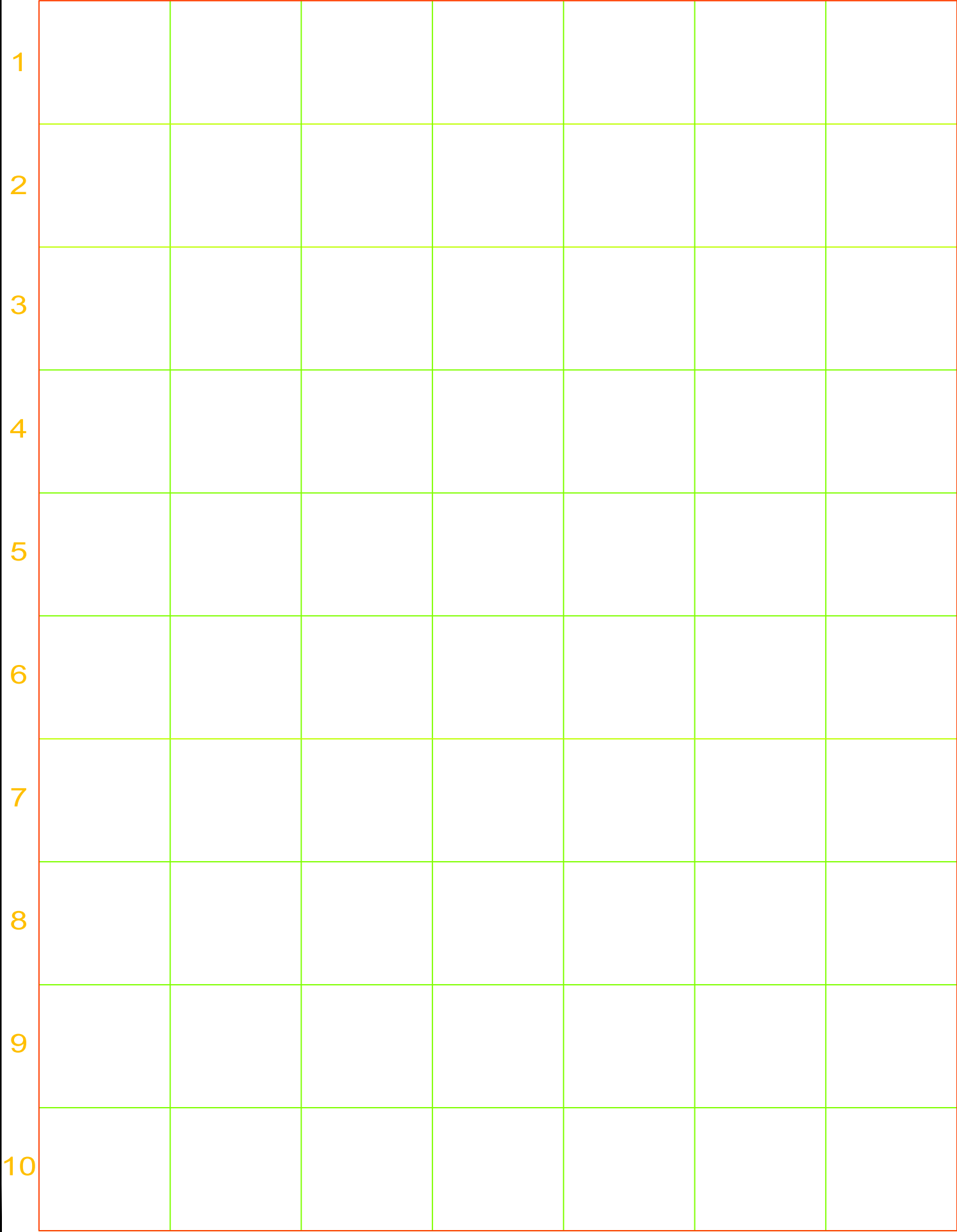
SHEET SIZE
**ANSI B
 11" X 17"**

SHEET NUMBER
PV-9

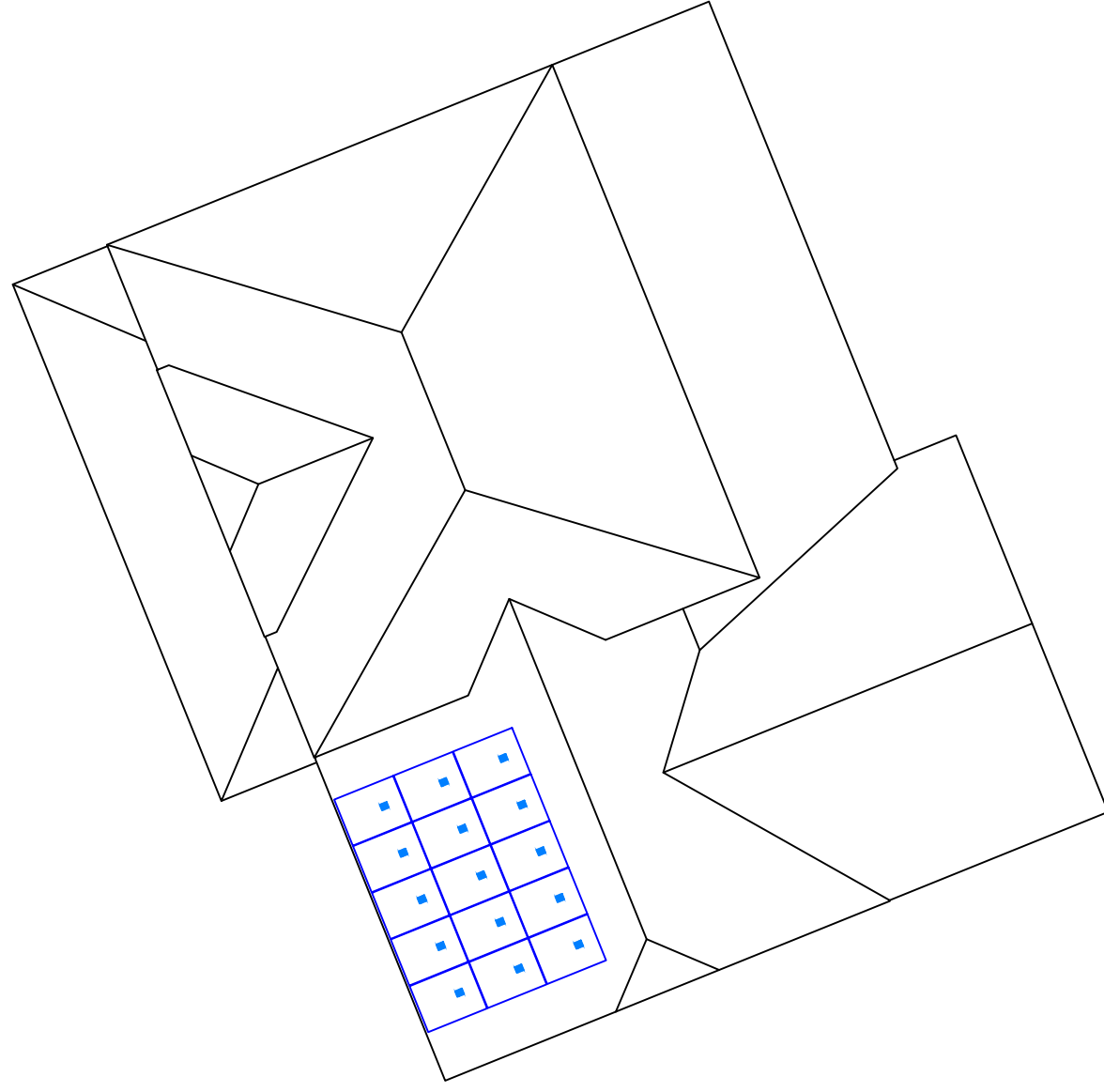
LABELING NOTES:

1. LABELS CALLED OUT ACCORDING TO ALL COMMON CONFIGURATIONS. ELECTRICIAN TO DETERMINE EXACT REQUIREMENTS IN THE FIELD PER CURRENT NEC AND LOCAL CODES AND MAKE APPROPRIATE ADJUSTMENTS.
2. LABELING REQUIREMENTS BASED ON THE 2017 NATIONAL ELECTRIC CODE, OSHA STANDARD 19010.145, ANSI Z535.
3. MATERIAL BASED ON THE REQUIREMENTS OF THE AUTHORITY HAVING JURISDICTION.
4. LABELS TO BE OF SUFFICIENT DURABILITY TO WITHSTAND THE ENVIRONMENT INVOLVED [NEC 110.21]
5. LABELS TO BE A MINIMUM LETTER HEIGHT OF 3/8", WHITE ON RED BACKGROUND; REFLECTIVE, AND PERMANENTLY AFFIXED [IFC 605.11.1.1]

1-10 11-20 21-30 31-40 41-50 51-60 61-70



MICRO INVERTER CHART



22171 MCH RD
 MANDEVILLE, LA 70471
 PHONE: 9152011490

REVISIONS		
DESCRIPTION	DATE	REV
INITIAL DESIGN	03/31/2022	

DATE: 03/31/2022

PROJECT NAME & ADDRESS
**DENNIS GORDON
 RESIDENCE**
 162 REVERE WAY,
 CAMERON, NC 28326

SHEET NAME
MICRO INVERTER CHART

SHEET SIZE
**ANSI B
 11" X 17"**

SHEET NUMBER
PV-10

LG NeON[®]2

LG370N1C-A6 | LG375N1C-A6 | LG380N1C-A6 Preliminary

370W | 375W | 380W

The LG NeON[®] 2 is LG's best selling solar module and one of the most powerful and versatile modules on the market today. The cells are designed to appear all-black at a distance, and the performance warranty guarantees 90.6% of labeled power output at 25 years.



Features



Enhanced Performance Warranty

LG NeON[®] 2 has an enhanced performance warranty. After 25 years, LG NeON[®] 2 is guaranteed at least 90.6% of initial performance.



25-Year Limited Product Warranty

The NeON[®] 2 is covered by a 25-year limited product warranty. In addition, up to \$450 of labor costs will be covered in the rare case that a module needs to be repaired or replaced.



Solid Performance on Hot Days

LG NeON[®] 2 performs well on hot days due to its low temperature coefficient.



Roof Aesthetics

LG NeON[®] 2 has been designed with aesthetics in mind using thinner wires that appear all black at a distance.

When you go solar, ask for the brand you can trust: LG Solar

About LG Electronics USA, Inc.

LG Electronics is a global leader in electronic products in the clean energy markets by offering solar PV panels and energy storage systems. The company first embarked on a solar energy source research program in 1995, supported by LG Group's vast experience in the semi-conductor, LCD, chemistry and materials industries. In 2010, LG Solar successfully released its first Mono[®] series to the market, which is now available in 32 countries. The NeON[®] (previous Mono[®] NeON), NeON[®]2, NeON[®]2 BiFacial won the "Intersolar AWARD" in 2013, 2015 and 2016, which demonstrates LG's leadership and innovation in the solar industry.



LG NeON[®]2

LG370N1C-A6 | LG375N1C-A6 | LG380N1C-A6



Preliminary

General Data

Cell Properties (Material/Type)	Monocrystalline/N-type
Cell Maker	LG
Cell Configuration	60 Cells (6 x 10)
Module Dimensions (L x W x H)	1,740mm x 1,042mm x 40mm
Weight	18.6 kg
Glass (Material)	Tempered Glass with AR Coating
Backsheet (Color)	White
Frame (Material)	Anodized Aluminium
Junction Box (Protection Degree)	P 68 with 3 Bypass Diodes
Cables (Length)	1,100mm x 2EA
Connector (Type/Maker)	MC 4/MC

Certifications and Warranty

Certifications**	IEC 61215-1/-1-1/2, 2016, IEC 61730-1/2, 2016, UL 61730-1, 2017, UL 61730-2, 2017, ISO 9001, ISO 14001, ISO 50001, OHSAS 18001
Salt Mist Corrosion Test	IEC 61701 2012 Seventy 6
Ammonia Corrosion Test	IEC 62716, 2013
Module Fire Performance	Type 1 (UL 61730)
Fire Rating	Class C (UL 790, UL/ORD C 1703)
Solar Module Product Warranty	25 Year Limited
Solar Module Output Warranty	Linear Warranty**

*Ingressed: 1" year 98.5%, from 2-24th year: 0.33%/year down, 90.6% at year 25
**In Progress

Temperature Characteristics

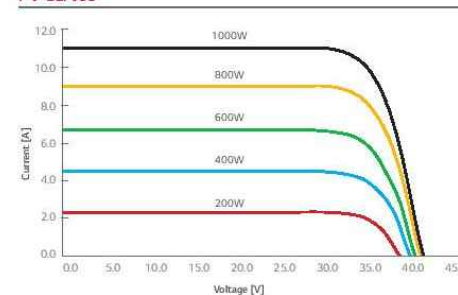
NMOT*	[°C]	42 ± 3
Pmax	[%/°C]	-0.34
Voc	[%/°C]	-0.26
Isc	[%/°C]	0.03

*NMOT (Nominal Module Operating Temperature) Irradiance 900 W/m², Ambient temperature 20°C, Wind speed: 1 m/s, Spectrum AM 1.5

Electrical Properties (NMOT)

Model	LG370N1C-A6	LG375N1C-A6	LG380N1C-A6	
Maximum Power (Pmax)	[W]	277	281	285
MPP Voltage (Vmpp)	[V]	32.8	33.2	33.5
MPP Current (Impp)	[A]	8.46	8.48	8.49
Open Circuit Voltage (Voc)	[V]	39.3	39.4	39.4
Short Circuit Current (Isc)	[A]	9.09	9.13	9.16

I-V Curves



Electrical Properties (STC*)

Model	LG370N1C-A6	LG375N1C-A6	LG380N1C-A6	
Maximum Power (Pmax)	[W]	370	375	380
MPP Voltage (Vmpp)	[V]	34.9	35.3	35.7
MPP Current (Impp)	[A]	10.61	10.63	10.65
Open Circuit Voltage (Voc, ± 5%)	[V]	41.7	41.8	41.9
Short Circuit Current (Isc, ± 5%)	[A]	11.31	11.35	11.39
Module Efficiency	[%]	20.4	20.7	21.0
Bifaciality Coefficient of Power	[%]		10	
Power Tolerance	[%]		0 - +3	

*STC (Standard Test Condition): Irradiance 1000 W/m², cell temperature: 25°C, AM 1.5

Operating Conditions

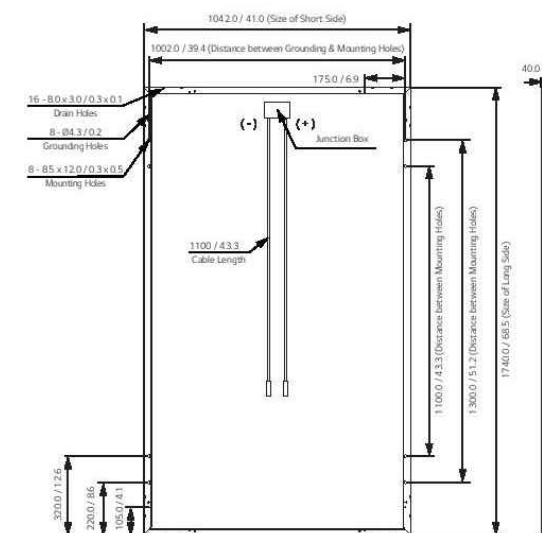
Operating Temperature	[°C]	-40 ~ +85
Maximum System Voltage	[V]	1,000
Maximum Series Fuse Rating	[A]	20
Mechanical Test Load (Front)	[Pa/psf]	5,400
Mechanical Test Load (Rear)	[Pa/psf]	4,000

*Based on IEC 61215-2: 2016 (Test Load = Design Load x Safety Factor (1.5))
Mechanical Test Loads 6,000Pa / 5,400Pa based on IEC 61215: 2005

Packaging Configuration

Number of Modules per Pallet	[EA]	25
Number of Modules per 40' Container	[EA]	650
Number of Modules per 53' Container	[EA]	850
Packaging Box Dimensions (L x W x H)	[mm]	1,790 x 1,120 x 1,213
Packaging Box Dimensions (L x W x H)	[in]	70.5 x 44.1 x 47.8
Packaging Box Gross Weight	[kg]	500
Packaging Box Gross Weight	[lb]	1,102

Dimensions (mm/inch)



SUNPRO

22171 MCH RD
MANDEVILLE, LA 70471
PHONE: 9152011490

REVISIONS

DESCRIPTION	DATE	REV
INITIAL DESIGN	03/31/2022	

DATE: 03/31/2022

PROJECT NAME & ADDRESS

DENNIS GORDON
RESIDENCE
162 REVERE WAY,
CAMERON, NC 28326

SHEET NAME
EQUIPMENT
SPECIFICATION

SHEET SIZE
ANSI B
11" X 17"

SHEET NUMBER
PV-11



LG Electronics USA, Inc.
Solar Business Division
2000 Millbrook Drive
Lincolnshire, IL 60069
www.lg-solar.com

Product specifications are subject to change without notice.
LG370-380N1C-A6_AUS.pdf
121520

© 2020 LG Electronics USA, Inc. All rights reserved.

Enphase IQ 7 and IQ 7+ Microinverters

The high-powered smart grid-ready **Enphase IQ 7 Micro™** and **Enphase IQ 7+ Micro™** dramatically simplify the installation process while achieving the highest system efficiency.

Part of the Enphase IQ System, the IQ 7 and IQ 7+ Microinverters integrate with the Enphase IQ Envoy™, Enphase IQ Battery™, and the Enphase Enlighten™ monitoring and analysis software.

IQ Series Microinverters extend the reliability standards set forth by previous generations and undergo over a million hours of power-on testing, enabling Enphase to provide an industry-leading warranty of up to 25 years.

Easy to Install

- Lightweight and simple
- Faster installation with improved, lighter two-wire cabling
- Built-in rapid shutdown compliant (NEC 2014 & 2017)

Productive and Reliable

- Optimized for high powered 60-cell/120 half-cell and 72-cell/144 half-cell* modules
- More than a million hours of testing
- Class II double-insulated enclosure
- UL listed

Smart Grid Ready

- Complies with advanced grid support, voltage and frequency ride-through requirements
- Remotely updates to respond to changing grid requirements
- Configurable for varying grid profiles
- Meets CA Rule 21 (UL 1741-SA)

* The IQ 7+ Micro is required to support 72-cell/144 half-cell modules.

Enphase IQ 7 and IQ 7+ Microinverters

INPUT DATA (DC)	IQ7-60-2-US		IQ7PLUS-72-2-US	
Commonly used module pairings ¹	235 W - 350 W +		235 W - 440 W +	
Module compatibility	60-cell/120 half-cell PV modules only		60-cell/120 half-cell and 72-cell/144 half-cell PV modules	
Maximum input DC voltage	48 V		60 V	
Peak power tracking voltage	27 V - 37 V		27 V - 45 V	
Operating range	16 V - 48 V		16 V - 60 V	
Min/Max start voltage	22 V / 48 V		22 V / 60 V	
Max DC short circuit current (module Isc)	15 A		15 A	
Overvoltage class DC port	II		II	
DC port backfeed current	0 A		0 A	
PV array configuration	1 x 1 ungrounded array; No additional DC side protection required; AC side protection requires max 20A per branch circuit			
OUTPUT DATA (AC)	IQ 7 Microinverter		IQ 7+ Microinverter	
Peak output power	250 VA		295 VA	
Maximum continuous output power	240 VA		290 VA	
Nominal (L-L) voltage/range ²	240 V / 211-264 V	208 V / 183-229 V	240 V / 211-264 V	208 V / 183-229 V
Maximum continuous output current	1.0 A (240 V)	1.15 A (208 V)	1.21 A (240 V)	1.39 A (208 V)
Nominal frequency	60 Hz		60 Hz	
Extended frequency range	47 - 68 Hz		47 - 68 Hz	
AC short circuit fault current over 3 cycles	5.8 Arms		5.8 Arms	
Maximum units per 20 A (L-L) branch circuit ³	16 (240 VAC)	13 (208 VAC)	13 (240 VAC)	11 (208 VAC)
Overvoltage class AC port	III		III	
AC port backfeed current	18 mA		18 mA	
Power factor setting	1.0		1.0	
Power factor (adjustable)	0.85 leading ... 0.85 lagging		0.85 leading ... 0.85 lagging	
EFFICIENCY	@240 V	@208 V	@240 V	@208 V
Peak efficiency	97.6 %	97.6 %	97.5 %	97.3 %
CEC weighted efficiency	97.0 %	97.0 %	97.0 %	97.0 %
MECHANICAL DATA				
Ambient temperature range	-40°C to +65°C			
Relative humidity range	4% to 100% (condensing)			
Connector type	MC4 (or Amphenol H4 UTX with additional Q-DCC-5 adapter)			
Dimensions (HxWxD)	212 mm x 175 mm x 30.2 mm (without bracket)			
Weight	1.08 kg (2.38 lbs)			
Cooling	Natural convection - No fans			
Approved for wet locations	Yes			
Pollution degree	PD3			
Enclosure	Class II double-insulated, corrosion resistant polymeric enclosure			
Environmental category / UV exposure rating	NEMA Type 6 / outdoor			
FEATURES				
Communication	Power Line Communication (PLC)			
Monitoring	Enlighten Manager and MyEnlighten monitoring options. Both options require installation of an Enphase IQ Envoy.			
Disconnecting means	The AC and DC connectors have been evaluated and approved by UL for use as the load-break disconnect required by NEC 690.			
Compliance	CA Rule 21 (UL 1741-SA) UL 62109-1, UL1741/IEEE1547, FCC Part 15 Class B, ICES-0003 Class B, CAN/CSA-C22.2 NO. 107.1-01 This product is UL Listed as PV Rapid Shut Down Equipment and conforms with NEC 2014, NEC 2017, and NEC 2020 section 690.12 and C22.1-2015 Rule 64-218 Rapid Shutdown of PV Systems, for AC and DC conductors, when installed according manufacturer's instructions.			

1. No enforced DC/AC ratio. See the compatibility calculator at <https://enphase.com/en-us/support/module-compatibility>.
 2. Nominal voltage range can be extended beyond nominal if required by the utility.
 3. Limits may vary. Refer to local requirements to define the number of microinverters per branch in your area.

To learn more about Enphase offerings, visit enphase.com

© 2020 Enphase Energy. All rights reserved. Enphase, the Enphase logo, Enphase IQ 7, Enphase IQ 7+, Enphase IQ Battery, Enphase Enlighten, Enphase IQ Envoy, and other trademarks or service names are the trademarks of Enphase Energy, Inc. Data subject to change. 2020-08-12



22171 MCH RD
 MANDEVILLE, LA 70471
 PHONE: 9152011490

REVISIONS

DESCRIPTION	DATE	REV
INITIAL DESIGN	03/31/2022	

DATE: 03/31/2022

PROJECT NAME & ADDRESS

DENNIS GORDON
 RESIDENCE
 162 REVERE WAY,
 CAMERON, NC 28326

SHEET NAME
 EQUIPMENT
 SPECIFICATION

SHEET SIZE
 ANSI B
 11" X 17"

SHEET NUMBER
 PV-12

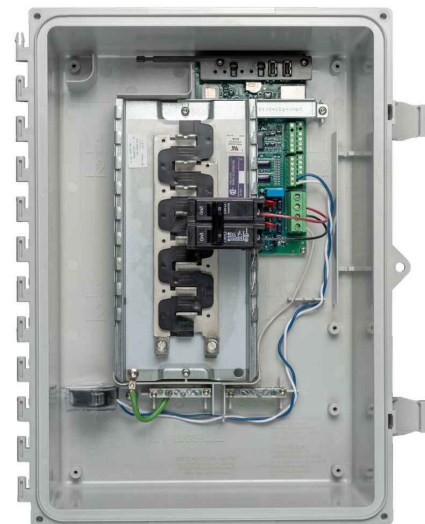


To learn more about Enphase offerings, visit enphase.com



Enphase IQ Combiner 3 (X-IQ-AM1-240-3)

The **Enphase IQ Combiner 3™** with Enphase IQ Envoy™ consolidates interconnection equipment into a single enclosure and streamlines PV and storage installations by providing a consistent, pre-wired solution for residential applications. It offers up to four 2-pole input circuits and Eaton BR series busbar assembly.



Smart

- Includes IQ Envoy for communication and control
- Flexible networking supports Wi-Fi, Ethernet, or cellular
- Optional AC receptacle available for PLC bridge
- Provides production metering and optional consumption monitoring

Simple

- Reduced size from previous combiner
- Centered mounting brackets support single stud mounting
- Supports back and side conduit entry
- Up to four 2-pole branch circuits for 240 VAC plug-in breakers (not included)
- 80 A total PV or storage branch circuits

Reliable

- Durable NRTL-certified NEMA type 3R enclosure
- Five-year limited warranty
- UL listed

Enphase IQ Combiner 3

MODEL NUMBER	
IQ Combiner 3 X-IQ-AM1-240-3	IQ Combiner 3 with Enphase IQ Envoy™ printed circuit board for integrated revenue grade PV production metering (ANSI C12.20 +/- 0.5%) and optional* consumption monitoring (+/- 2.5%).
ACCESSORIES and REPLACEMENT PARTS (not included, order separately)	
Enphase Mobile Connect™ CELLMODEM-03 (4G/12-year data plan) CELLMODEM-01 (3G/5-year data plan) CELLMODEM-M1 (4G based LTE-M/5-year data plan)	Plug and play industrial grade cellular modem with data plan for systems up to 60 microinverters. (Available in the US, Canada, Mexico, Puerto Rico, and the US Virgin Islands, where there is adequate cellular service in the installation area.)
Consumption Monitoring* CT CT-200-SPLIT	Split core current transformers enable whole home consumption metering (+/- 2.5%).
* Consumption monitoring is required for Enphase Storage Systems	
Wireless USB adapter COMMS-KIT-01	Installed at the IQ Envoy. For communications with Enphase Encharge™ storage and Enphase Enpower™ smart switch. Includes USB cable for connection to IQ Envoy or Enphase IQ Combiner™ and allows redundant wireless communication with Encharge and Enpower.
Circuit Breakers BRK-10A-2-240 BRK-15A-2-240 BRK-20A-2P-240	Supports Eaton BR210, BR215, BR220, BR230, BR240, BR250, and BR260 circuit breakers. Circuit breaker, 2 pole, 10A, Eaton BR210 Circuit breaker, 2 pole, 15A, Eaton BR215 Circuit breaker, 2 pole, 20A, Eaton BR220
EPLC-01	Power line carrier (communication bridge pair), quantity - one pair
XA-PLUG-120-3	Accessory receptacle for Power Line Carrier in IQ Combiner 3 (required for EPLC-01)
XA-ENV-PCBA-3	Replacement IQ Envoy printed circuit board (PCB) for Combiner 3
ELECTRICAL SPECIFICATIONS	
Rating	Continuous duty
System voltage	120/240 VAC, 60 Hz
Eaton BR series busbar rating	125 A
Max. continuous current rating (output to grid)	65 A
Max. fuse/circuit rating (output)	90 A
Branch circuits (solar and/or storage)	Up to four 2-pole Eaton BR series Distributed Generation (DG) breakers only (not included)
Max. continuous current rating (input from PV)	64 A
Max. total branch circuit breaker rating (input)	80A of distributed generation / 90A with IQ Envoy breaker included
Production Metering CT	200 A solid core pre-installed and wired to IQ Envoy
MECHANICAL DATA	
Dimensions (WxHxD)	49.5 x 37.5 x 16.8 cm (19.5" x 14.75" x 6.63"). Height is 21.06" (53.5 cm with mounting brackets).
Weight	7.5 kg (16.5 lbs)
Ambient temperature range	-40° C to +46° C (-40° to 115° F)
Cooling	Natural convection, plus heat shield
Enclosure environmental rating	Outdoor, NRTL-certified, NEMA type 3R, polycarbonate construction
Wire sizes	<ul style="list-style-type: none"> • 20 A to 50 A breaker inputs: 14 to 4 AWG copper conductors • 60 A breaker branch input: 4 to 1/0 AWG copper conductors • Main lug combined output: 10 to 2/0 AWG copper conductors • Neutral and ground: 14 to 1/0 copper conductors Always follow local code requirements for conductor sizing.
Altitude	To 2000 meters (6,560 feet)
INTERNET CONNECTION OPTIONS	
Integrated Wi-Fi	802.11b/g/n
Ethernet	Optional, 802.3, Cat5E (or Cat 6) UTP Ethernet cable (not included)
Cellular	Optional, CELLMODEM-01 (3G) or CELLMODEM-03 (4G) or CELLMODEM-M1 (4G based LTE-M) (not included)
COMPLIANCE	
Compliance, Combiner	UL 1741, CAN/CSA C22.2 No. 107.1, 47 CFR, Part 15, Class B, ICES 003 Production metering: ANSI C12.20 accuracy class 0.5 (PV production)
Compliance, IQ Envoy	UL 60601-1/CANCSA 22.2 No. 61010-1

To learn more about Enphase offerings, visit enphase.com

© 2018 Enphase Energy. All rights reserved. Enphase, the Enphase logo, IQ Combiner 3, and other trademarks or service names are the trademarks of Enphase Energy, Inc.
2019-11-04



SUNPRO

22171 MCH RD
MANDEVILLE, LA 70471
PHONE: 9152011490

REVISIONS

DESCRIPTION	DATE	REV
INITIAL DESIGN	03/31/2022	

DATE: 03/31/2022

PROJECT NAME & ADDRESS

DENNIS GORDON
RESIDENCE
162 REVERE WAY,
CAMERON, NC 28326

SHEET NAME
EQUIPMENT
SPECIFICATION

SHEET SIZE
ANSI B
11" X 17"

SHEET NUMBER
PV-13



To learn more about Enphase offerings, visit enphase.com



REVISIONS		
DESCRIPTION	DATE	REV
INITIAL DESIGN	03/31/2022	

DATE: 03/31/2022

PROJECT NAME & ADDRESS

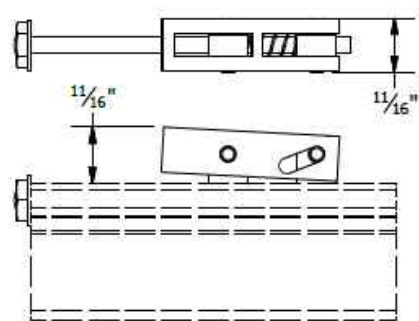
**DENNIS GORDON
RESIDENCE**
162 REVERE WAY,
CAMERON, NC 28326

SHEET NAME
**EQUIPMENT
SPECIFICATION**

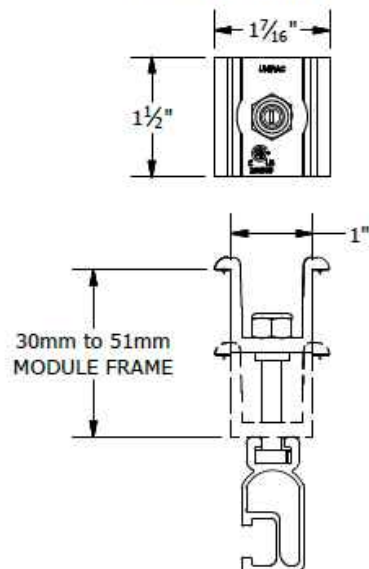
SHEET SIZE
**ANSI B
11" X 17"**

SHEET NUMBER
PV-14

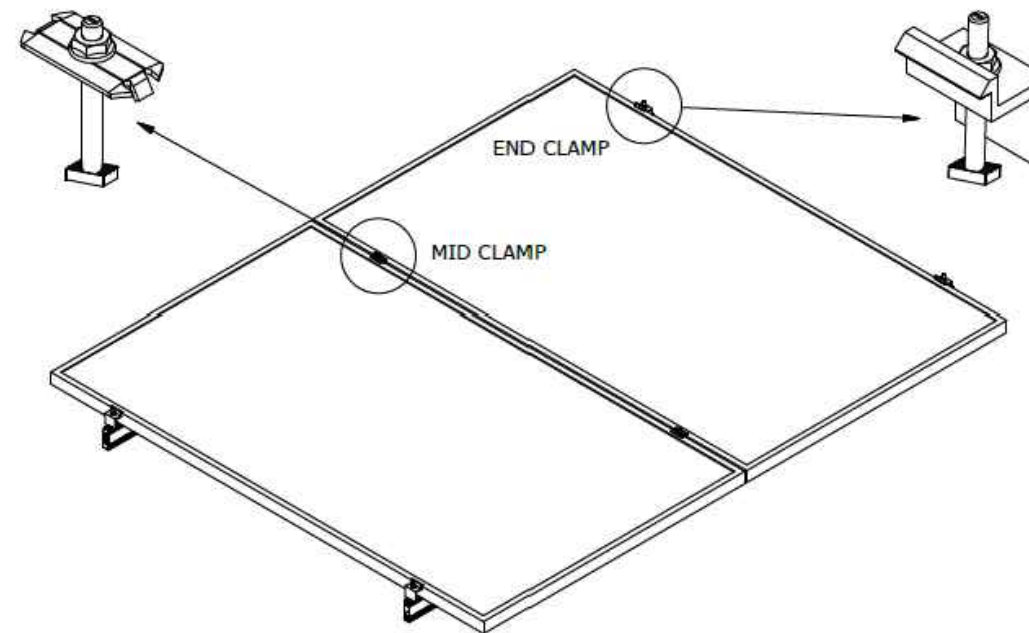
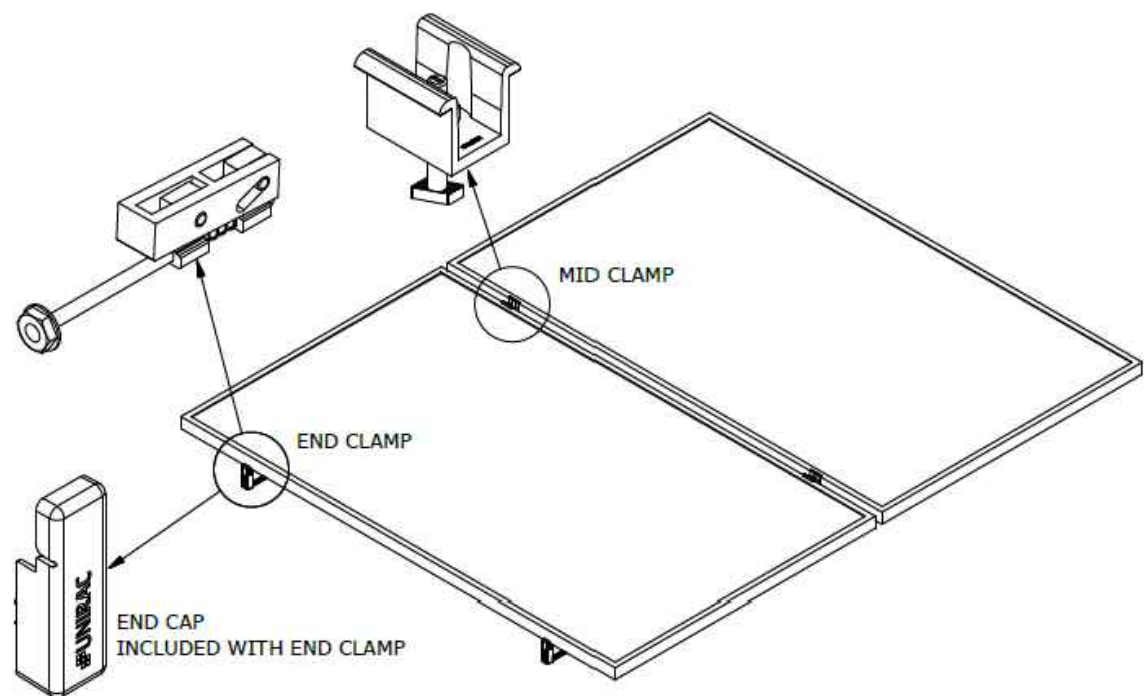
PRO SERIES END CLAMP



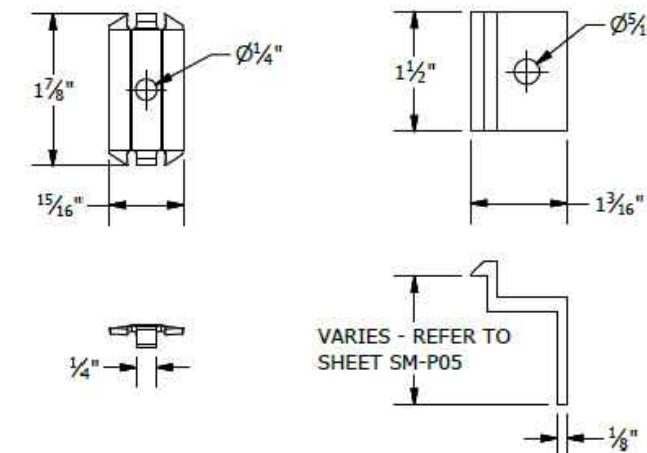
PRO SERIES MID CLAMP



PART # TABLE	
P/N	DESCRIPTION
302035M	ENDCLAMP PRO
302030M	MIDCLAMP PRO - MILL
302030D	MIDCLAMP PRO - DRK



PART # TABLE	
P/N	DESCRIPTION
302027C	SM BND MIDCLAMP BC SS
302027D	SM BND MIDCLAMP BC DRK SS
302028C	SM BND MIDCLAMP EF SS
302028D	SM BND MIDCLAMP EF DRK SS
302029C	SM BND MIDCLAMP DK SS
302029D	SM BND MIDCLAMP DK DRK SS
	FOR BONDING END CLAMP REFER TO SHEET SM-P05



BONDING SM MID CLAMP BONDING SM END CLAMP

UNIRAC
1411 BROADWAY BLVD. NE
ALBUQUERQUE, NM 87102 USA
PHONE: 505.242.6411
WWW.UNIRAC.COM

PRODUCT LINE: SOLARMOUNT
DRAWING TYPE: PART & ASSEMBLY
DESCRIPTION: PRO SERIES BONDING CLAMPS
REVISION DATE: 10/26/2017

DRAWING NOT TO SCALE
ALL DIMENSIONS ARE NOMINAL
PRODUCT PROTECTED BY ONE OR MORE US PATENTS
LEGAL NOTICE

SM-A01
SHEET

UNIRAC
1411 BROADWAY BLVD. NE
ALBUQUERQUE, NM 87102 USA
PHONE: 505.242.6411
WWW.UNIRAC.COM

PRODUCT LINE: SOLARMOUNT
DRAWING TYPE: PART & ASSEMBLY
DESCRIPTION: BONDING TOP CLAMPS
REVISION DATE: 10/26/2017

DRAWING NOT TO SCALE
ALL DIMENSIONS ARE NOMINAL
PRODUCT PROTECTED BY ONE OR MORE US PATENTS
LEGAL NOTICE

SM-A01A
SHEET

REVISIONS		
DESCRIPTION	DATE	REV
INITIAL DESIGN	03/31/2022	

DATE: 03/31/2022

PROJECT NAME & ADDRESS

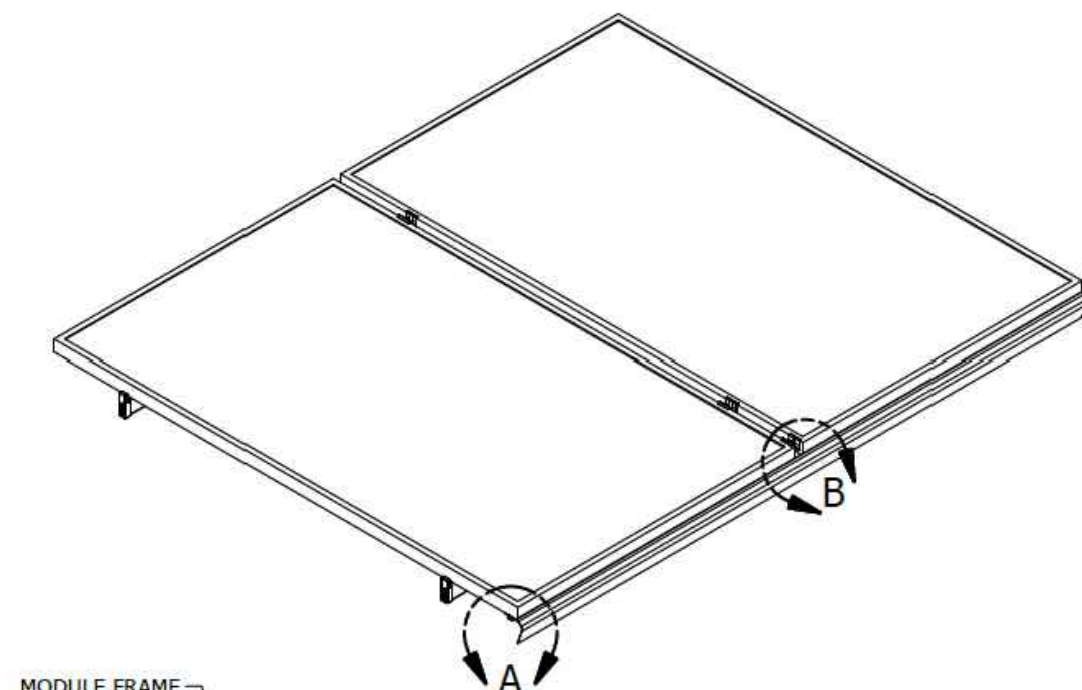
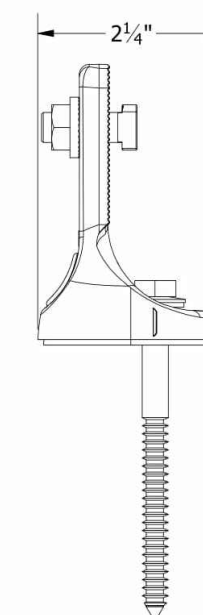
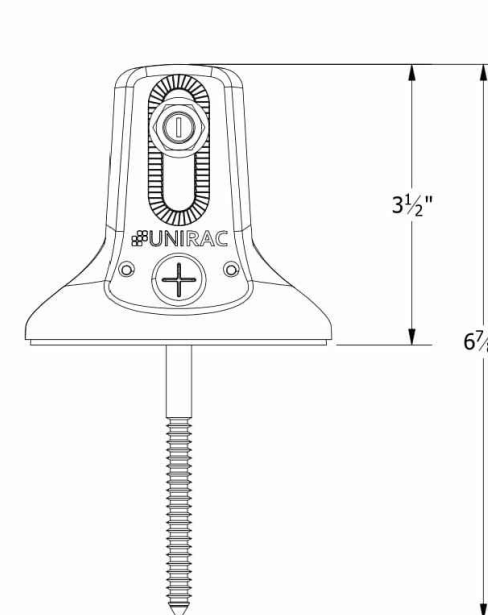
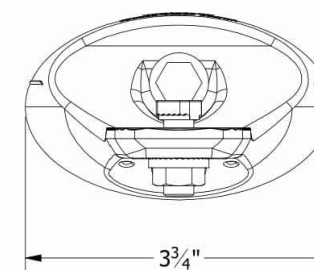
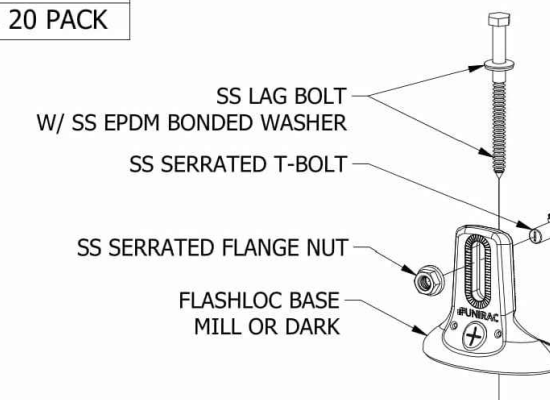
**DENNIS GORDON
RESIDENCE**
162 REVERE WAY,
CAMERON, NC 28326

SHEET NAME
**EQUIPMENT
SPECIFICATION**

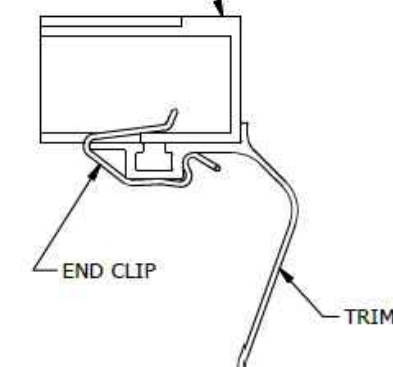
SHEET SIZE
**ANSI B
11" X 17"**

SHEET NUMBER
PV-15

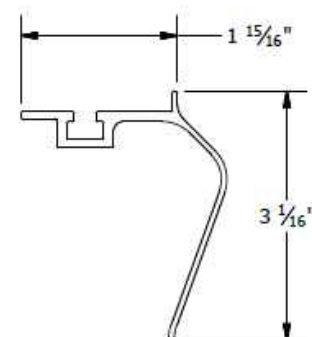
PART TABLE	
P/N	DESCRIPTION
004085M	FLASHLOC COMP KIT MILL, 20 PACK
004085D	FLASHLOC COMP KIT DARK, 20 PACK



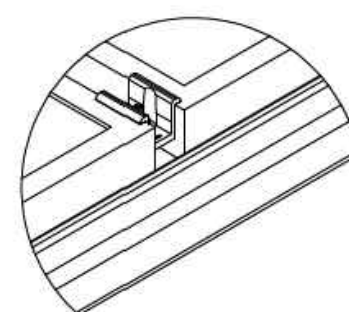
MODULE FRAME



DETAIL A
TRIM END CLIP



TRIM



DETAIL B
MID CLAMP TRIM CONNECTION

PART # TABLE		
P/N	DESCRIPTION	LENGTH
206072D-B	SM TRIM DRK	168"
008025S	SM TRIM END CLIP	-

UNIRAC
1411 BROADWAY BLVD. NE
ALBUQUERQUE, NM 87102 USA
PHONE: 505.242.6411
WWW.UNIRAC.COM

PRODUCT LINE:	SOLARMOUNT
DRAWING TYPE:	PART & ASSEMBLY
DESCRIPTION:	SM TRIM END CLIP
REVISION DATE:	9/27/2017

DRAWING NOT TO SCALE
ALL DIMENSIONS ARE
NOMINAL

PRODUCT PROTECTED BY
ONE OR MORE US PATENTS
LEGAL NOTICE

SM-A02

SHEET

UNIRAC
1411 BROADWAY BLVD. NE
ALBUQUERQUE, NM 87102 USA
PHONE: 505.242.6411
WWW.UNIRAC.COM

PRODUCT LINE:	SOLARMOUNT
DRAWING TYPE:	PART DRAWING
DESCRIPTION:	FLASHLOC COMP KIT
REVISION DATE:	10/3/2019

DRAWING NOT TO SCALE
ALL DIMENSIONS ARE
NOMINAL

PRODUCT PROTECTED BY
ONE OR MORE US PATENTS
LEGAL NOTICE

FL-A01

SHEET

FLASH LOC



FLASH LOC INSTALLATION GUIDE

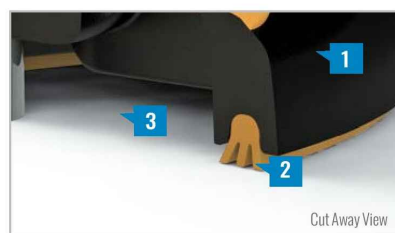


FLASHLOC is the ultimate attachment for composition shingle and rolled comp roofs. The all-in-one mount installs fast — no kneeling on hot roofs to install flashing, no prying or cutting shingles, no pulling nails. Simply drive the lag bolt and inject sealant into the base. **FLASHLOC's** patented TRIPLE SEAL technology preserves the roof and protects the penetration with a permanent pressure seal. Kitted with lag bolts, sealant, and hardware for maximum convenience. Don't just divert water, **LOC it out!**



PROTECT THE ROOF

Install a high-strength waterproof attachment without lifting, prying or damaging shingles.



LOC OUT WATER

With an outer shield **1** contour-conforming gasket **2** and pressurized sealant chamber **3** the Triple-Loc Seal delivers a 100% waterproof connection.



HIGH-SPEED INSTALL

Simply drive lag bolt and inject sealant into the port **4** to create a permanent pressure seal.



PRE-INSTALL

Snap chalk lines for attachment rows. On shingle roofs, snap lines 1-3/4" below upslope edge of shingle course. Locate rafters and mark attachment locations.

At each location, drill a 7/32" pilot hole. Clean roof surface of dirt, debris, snow, and ice, then fill pilot hole with sealant.

NOTE: Space mounts per racking system install specifications. When down pressure is ≥ 34 psf, span may not exceed 2 ft.



STEP 1: SECURE

Place **FLASHLOC** over pilot hole with lag on down-slope side. Align indicator marks on sides of mount with chalk line. Pass included lag bolt and sealing washer through **FLASHLOC** into pilot hole. Drive lag bolt until mount is held firmly in place.

NOTE: The EPDM in the sealing washer will expand beyond the edge of the metal washer when proper torque is applied.



STEP 2: SEAL

Insert tip of UNIRAC provided sealant into port. Inject until sealant exits both vents.

Continue array installation, attaching rails to mounts with provided T-bolts.

NOTE: When **FLASHLOC** is installed over gap between shingle or tabs or vertical joints, fill gap/joint with sealant between mount and upslope edge of shingle course.

Use only provided sealant.



22171 MCH RD
MANDEVILLE, LA 70471
PHONE: 9152011490

REVISIONS		
DESCRIPTION	DATE	REV
INITIAL DESIGN	03/31/2022	

DATE: 03/31/2022

PROJECT NAME & ADDRESS

DENNIS GORDON
RESIDENCE
162 REVERE WAY,
CAMERON, NC 28326

FASTER INSTALLATION. 25-YEAR WARRANTY.

FOR QUESTIONS OR CUSTOMER SERVICE VISIT UNIRAC.COM OR CALL (505) 248-2702

FASTER INSTALLATION. 25-YEAR WARRANTY.

FOR QUESTIONS OR CUSTOMER SERVICE VISIT UNIRAC.COM OR CALL (505) 248-2702

SHEET NAME
EQUIPMENT
SPECIFICATION

SHEET SIZE
ANSI B
11" X 17"

SHEET NUMBER
PV-16

REVISIONS		
DESCRIPTION	DATE	REV
INITIAL DESIGN	03/31/2022	

DATE: 03/31/2022

PROJECT NAME & ADDRESS

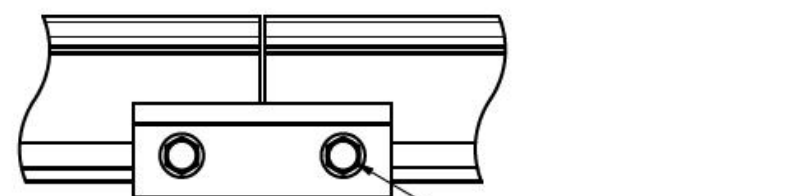
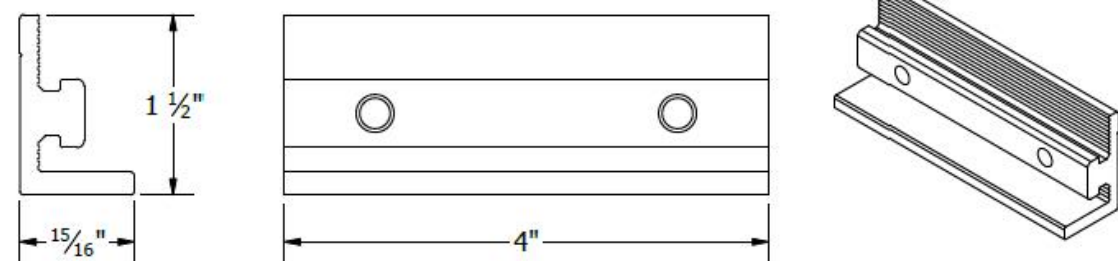
DENNIS GORDON
RESIDENCE
162 REVERE WAY,
CAMERON, NC 28326

SHEET NAME
EQUIPMENT
SPECIFICATION

SHEET SIZE
ANSI B
11" X 17"

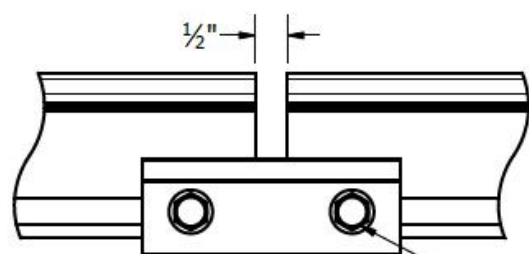
SHEET NUMBER
PV-17

BONDING SPLICE BAR



TYPICAL SPLICE BAR DETAIL

5/16"-18 TYPE F THREAD CUTTING SCREWS INCLUDED



TYPICAL EXPANSION JOINT DETAIL

NOTE THAT ONLY 2 SCREWS ARE USED AT AN EXPANSION JOINT. THE SPLICE BAR DOES NOT BOND ACROSS AN EXPANSION JOINT. SEE INSTALLATION GUIDE FOR INSTRUCTION.

PART # TABLE	
P/N	DESCRIPTION
303019M	BND SPLICE BAR PRO SERIES MILL
303019D	BND SPLICE BAR PRO SERIES DRK

UNIRAC
1411 BROADWAY BLVD. NE
ALBUQUERQUE, NM 87102 USA
PHONE: 505.242.6411
WWW.UNIRAC.COM

PRODUCT LINE: SOLARMOUNT
DRAWING TYPE: PART & ASSEMBLY
DESCRIPTION: BONDING SPLICE BAR PRO SERIES
REVISION DATE: 8/23/2018

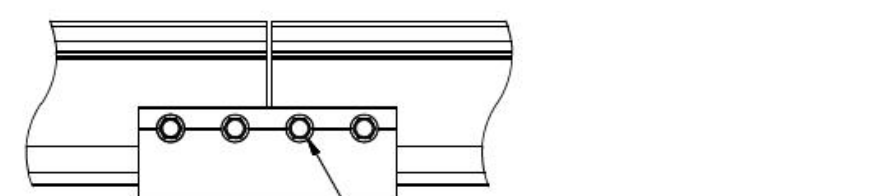
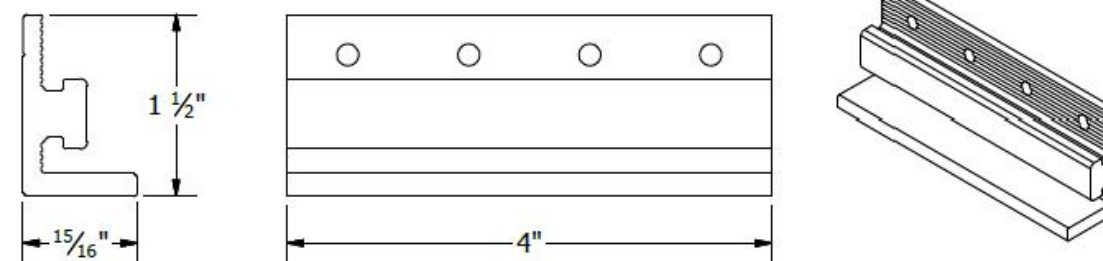
DRAWING NOT TO SCALE
ALL DIMENSIONS ARE NOMINAL

PRODUCT PROTECTED BY ONE OR MORE US PATENTS
LEGAL NOTICE

SM-A05

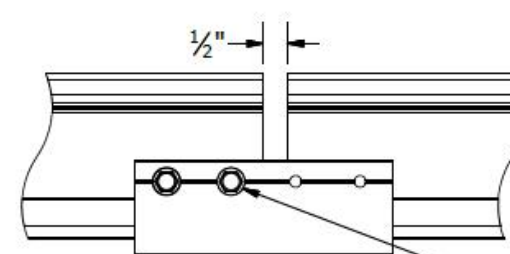
SHEET

BONDING SPLICE BAR



TYPICAL SPLICE BAR DETAIL

#12 X 3/4" SELF DRILLING SS SCREWS INCLUDED



TYPICAL EXPANSION JOINT DETAIL

NOTE THAT ONLY 2 SCREWS ARE USED AT AN EXPANSION JOINT. THE SPLICE BAR DOES NOT BOND ACROSS AN EXPANSION JOINT. SEE INSTALLATION GUIDE FOR INSTRUCTION.

PART # TABLE	
P/N	DESCRIPTION
303018C	BND SPLICE BAR SERRATED CLR
303018D	BND SPLICE BAR SERRATED DRK

UNIRAC
1411 BROADWAY BLVD. NE
ALBUQUERQUE, NM 87102 USA
PHONE: 505.242.6411
WWW.UNIRAC.COM

PRODUCT LINE: SOLARMOUNT
DRAWING TYPE: PART & ASSEMBLY
DESCRIPTION: BONDING SPLICE BAR
REVISION DATE: 9/27/2017

DRAWING NOT TO SCALE
ALL DIMENSIONS ARE NOMINAL

PRODUCT PROTECTED BY ONE OR MORE US PATENTS
LEGAL NOTICE

SM-A05

SHEET

REVISIONS		
DESCRIPTION	DATE	REV
INITIAL DESIGN	03/31/2022	

DATE: 03/31/2022

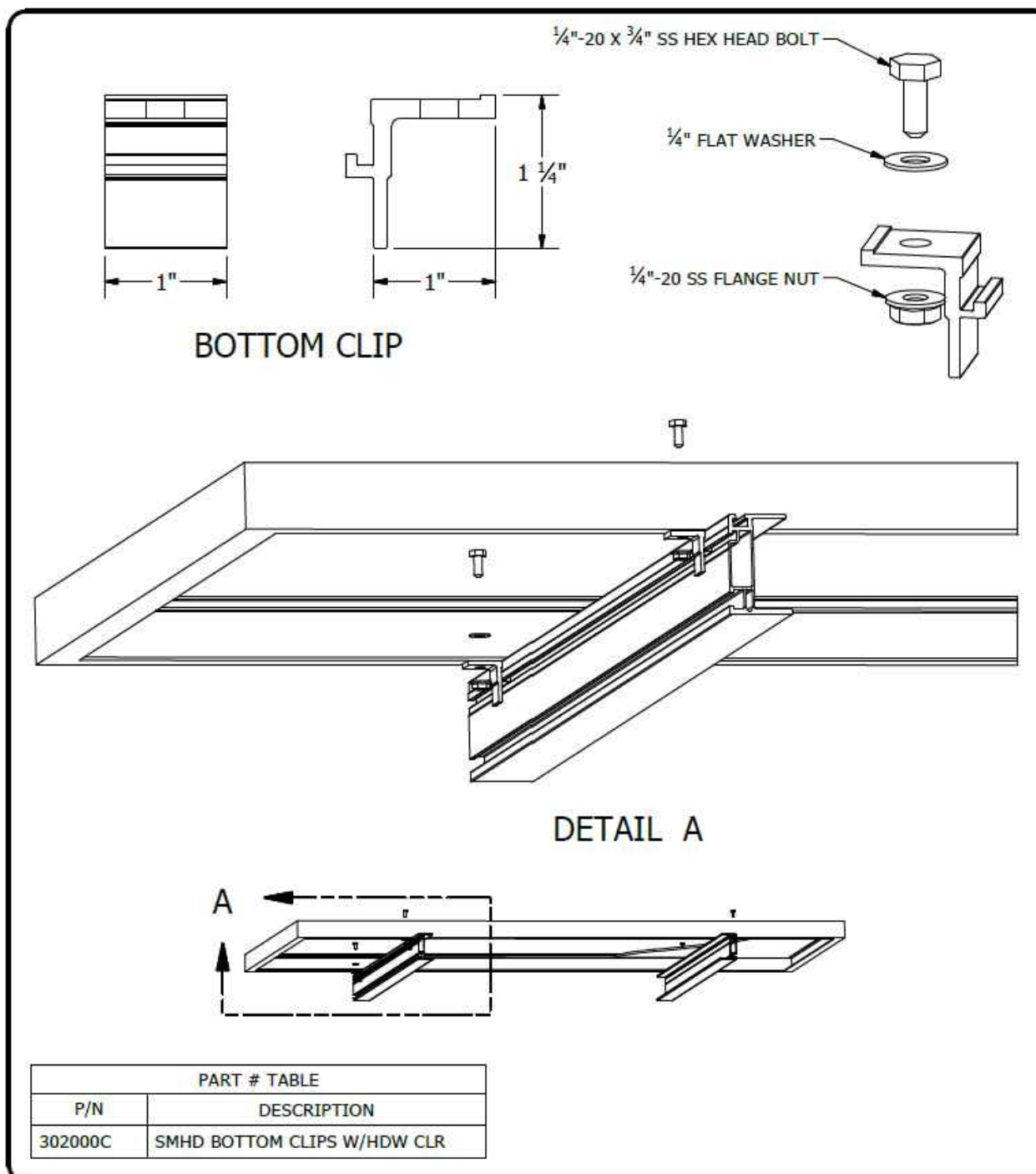
PROJECT NAME & ADDRESS

**DENNIS GORDON
RESIDENCE**
162 REVERE WAY,
CAMERON, NC 28326

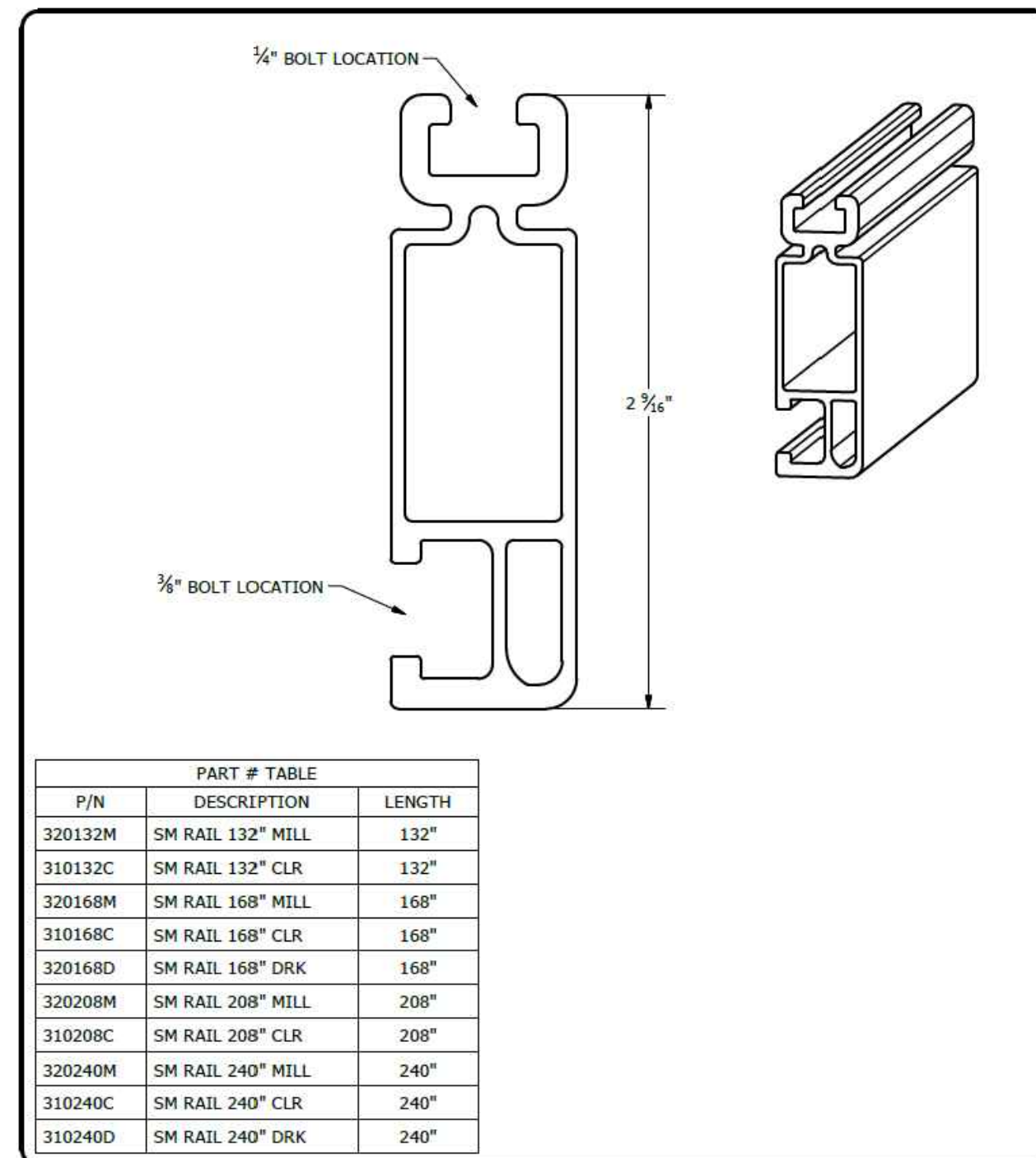
SHEET NAME
**EQUIPMENT
SPECIFICATION**

SHEET SIZE
**ANSI B
11" X 17"**

SHEET NUMBER
PV-18



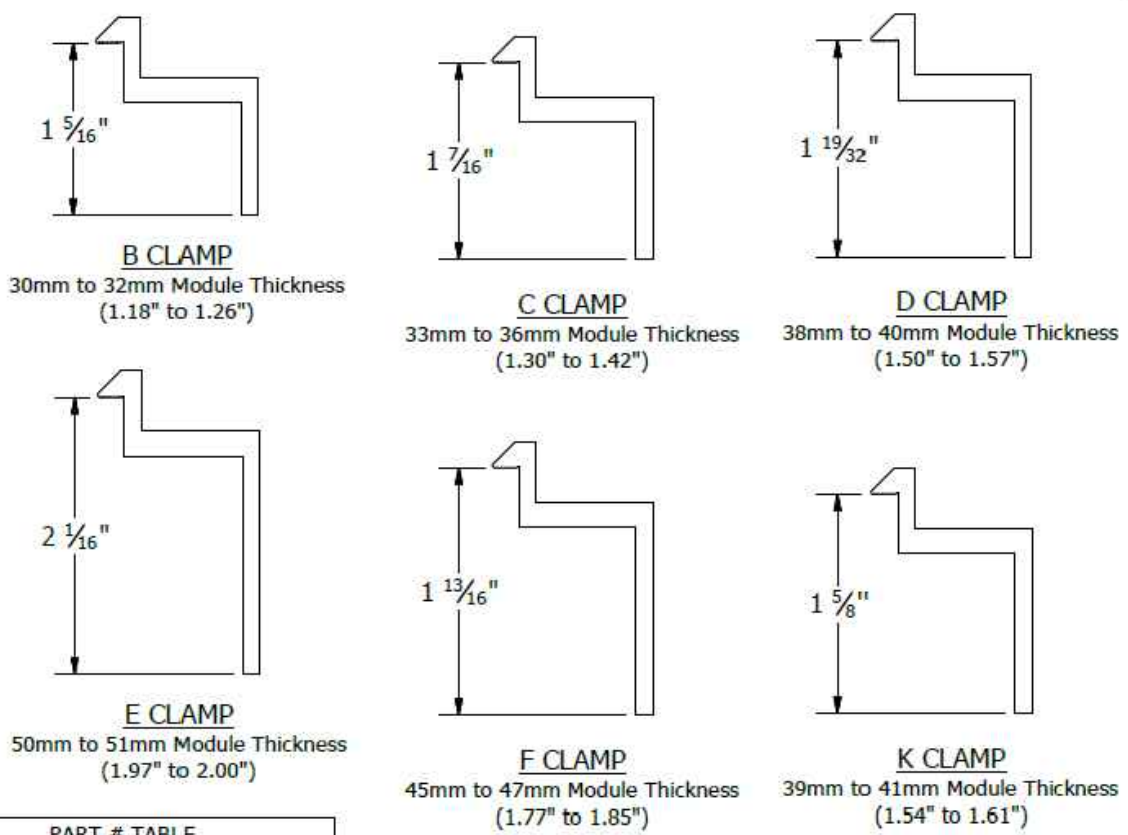
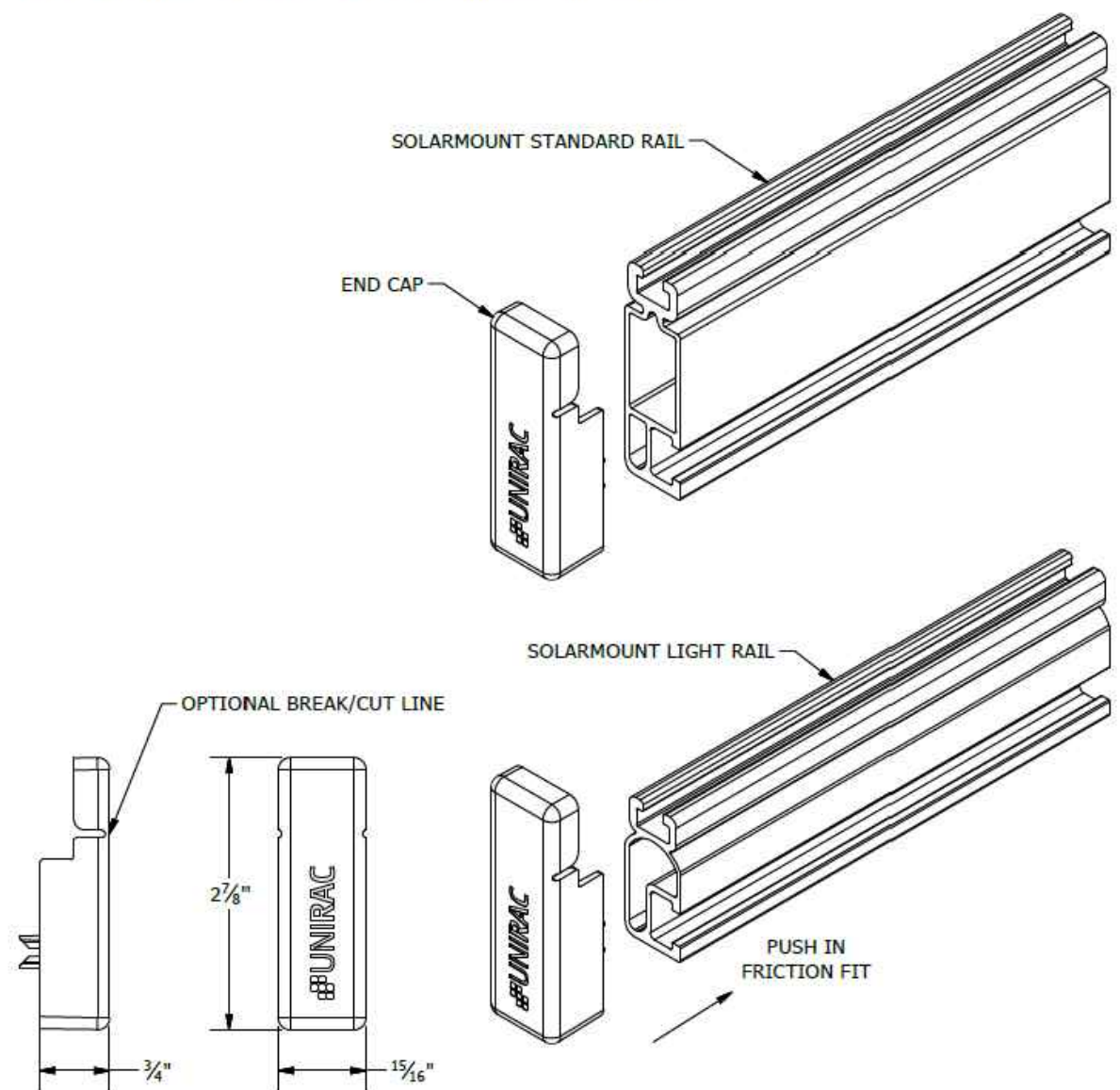
<p>1411 BROADWAY BLVD. NE ALBUQUERQUE, NM 87102 USA PHONE: 505.242.6411 WWW.UNIRAC.COM</p>	PRODUCT LINE:	SOLARMOUNT HD	DRAWING NOT TO SCALE ALL DIMENSIONS ARE NOMINAL PRODUCT PROTECTED BY ONE OR MORE US PATENTS LEGAL NOTICE	SM-A10 SHEET
	DRAWING TYPE:	PART & ASSEMBLY		
	DESCRIPTION:	BOTTOM CLIP		
	REVISION DATE:	9/27/2017		



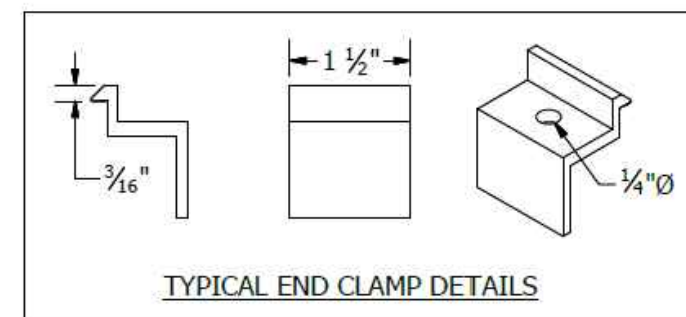
<p>1411 BROADWAY BLVD. NE ALBUQUERQUE, NM 87102 USA PHONE: 505.242.6411 WWW.UNIRAC.COM</p>	PRODUCT LINE:	SOLARMOUNT	DRAWING NOT TO SCALE ALL DIMENSIONS ARE NOMINAL PRODUCT PROTECTED BY ONE OR MORE US PATENTS LEGAL NOTICE	SM-P01 SHEET
	DRAWING TYPE:	PART DETAIL		
	DESCRIPTION:	STANDARD RAIL		
	REVISION DATE:	9/11/2017		

NOTES:

1. END CAP INCLUDED WITH EVERY END CLAMP.
2. END CAP FITS SOLARMOUNT LIGHT AND STANDARD RAIL PROFILES.



PART # TABLE	
P/N	DESCRIPTION
302021C	SM ENDCLAMP B CLR AL
302021D	SM ENDCLAMP B DRK AL
302022C	SM ENDCLAMP C CLR AL
302022D	SM ENDCLAMP C DRK AL
302023C	SM ENDCLAMP D CLR AL
302023D	SM ENDCLAMP D DRK AL
303024C	SM ENDCLAMP E CLR AL
302024D	SM ENDCLAMP E DRK AL
302025C	SM ENDCLAMP F CLR AL
302025D	SM ENDCLAMP F DRK AL
302026C	SM ENDCLAMP K CLR AL
302026D	SM ENDCLAMP K DRK AL



REVISIONS		
DESCRIPTION	DATE	REV
INITIAL DESIGN	03/31/2022	

DATE: 03/31/2022

PROJECT NAME & ADDRESS

DENNIS GORDON
RESIDENCE
162 REVERE WAY,
CAMERON, NC 28326

SHEET NAME
EQUIPMENT
SPECIFICATION

SHEET SIZE
ANSI B
11" X 17"

SHEET NUMBER
PV-19

UNIRAC
1411 BROADWAY BLVD. NE
ALBUQUERQUE, NM 87102 USA
PHONE: 505.242.6411
WWW.UNIRAC.COM

PRODUCT LINE:	SOLARMOUNT
DRAWING TYPE:	PART DETAIL
DESCRIPTION:	END CAPS
REVISION DATE:	9/27/2017

DRAWING NOT TO SCALE
ALL DIMENSIONS ARE
NOMINAL

PRODUCT PROTECTED BY
ONE OR MORE US PATENTS
LEGAL NOTICE

SM-P04
SHEET

UNIRAC
1411 BROADWAY BLVD. NE
ALBUQUERQUE, NM 87102 USA
PHONE: 505.242.6411
WWW.UNIRAC.COM

PRODUCT LINE:	SOLARMOUNT
DRAWING TYPE:	PART DETAIL
DESCRIPTION:	END CLAMPS - TOP MOUNTING
REVISION DATE:	9/27/2017

DRAWING NOT TO SCALE
ALL DIMENSIONS ARE
NOMINAL

PRODUCT PROTECTED BY
ONE OR MORE US PATENTS
LEGAL NOTICE

SM-P05
SHEET

SolaDeck

FLASHED PV ROOF-MOUNT COMBINER/ENCLOSURE

Basic Features

- Stamped Seamless Construction
- 18 Gauge Galvanized Steel
- Powder Coated Surfaces
- Flashes into the roof deck
- 3 Roof deck knockouts .5", .75", 1"
- 5 Centering dimples for entry/exit fittings or conduit
- 2 Position Ground lug installed
- Mounting Hardware Included



SolaDeck Model SD 0783



SolaDeck UL50 Type 3R Enclosures

Available Models:
 Model SD 0783 - (3" fixed Din Rail)
 Model SD 0786 - (6" slotted Din Rail)



SolaDeck UL 1741 Combiner/Enclosures

Models SD 0783-41 and SD 0786-41 are labeled and ETL listed UL STD 1741 according to the UL STD 1741 for photovoltaic combiner enclosures.

Max Rated - 600VDC, 120AMPS

Model SD 0783-41 3" Fixed Din Rail fastened using Norlock System

**Typical System Configuration

- 4- Din Rail Mounted Fuse Holders 600VDC 30 AMP
- 1- Power Distribution Block 600VDC 175AMP
- 1- Bus Bar with UL lug

Model SD 0786-41 6" Slotted Din Rail fastened using steel studs

**Typical System Configuration

- 4- Din Rail Mounted Fuse Holders 600VDC 30 AMP
- 4- Din Rail Mounted Terminal Blocks
- Bus Bars with UL lug

**Fuse holders and terminal blocks added in the field must be UL listed or recognized and meet 600 VDC 30 AMP 110C for fuse holders, 600V 50 AMP 90C for rail mounted terminal blocks and 600 V 175 AMP 90C for Power Distribution Blocks. Use Copper Wire Conductors.



Cover is trimmed to allow conduit or fittings, base is center dimpled for fitting locations.



Model SD 0783-41, wired with Din Rail mounted fuse holders, bus bar and power distribution block.



Model SD 0786-41, wired with Din Rail mounted fuse holders, terminal blocks and bus bars.

RSTC Enterprises, Inc • 2219 Heimstead Road • Eau Claire, WI 54703
 For product information call 1(866) 367-7782

SUNPRO

22171 MCH RD
 MANDEVILLE, LA 70471
 PHONE: 9152011490

REVISIONS		
DESCRIPTION	DATE	REV
INITIAL DESIGN	03/31/2022	

DATE: 03/31/2022

PROJECT NAME & ADDRESS

DENNIS GORDON
 RESIDENCE
 162 REVERE WAY,
 CAMERON, NC 28326

SHEET NAME
 EQUIPMENT
 SPECIFICATION

SHEET SIZE
 ANSI B
 11" X 17"

SHEET NUMBER
 PV-20