

MODULE : (15) APTOS SOLAR MODULES :
 DNA-144-BF26-365
INVERTER : (1) GENERAC POWERCELL : MODEL X7602
DC SYSTEM SIZE: 5.475 kW

BATTERY : (1) POWERCELL BATTERY MODULE



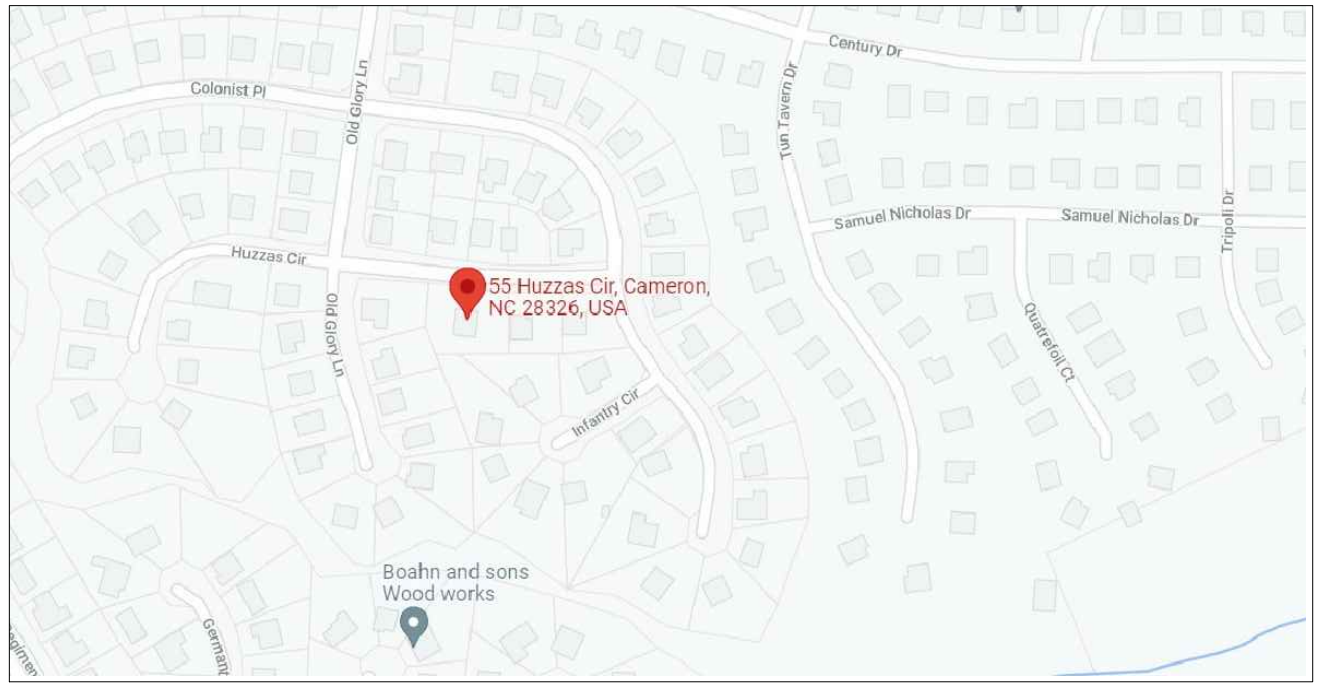
- Notes:
- THIS PROJECT SHALL COMPLY WITH THE 2018 NORTH CAROLINA RESIDENTIAL CODE AND THE 2018 NORTH CAROLINA UNIFORM STATEWIDE BUILDING CODE (USBC) WHICH INCLUDES THE 2018 NCCC, 2018 NCEBC AND THE 2018 NCMC
 - ALL ELECTRICAL WORK SHALL BE DESIGNED PER LATEST NATIONAL, STATE AND LOCAL ELECTRICAL CODE.**
 - 110.2 APPROVAL : ALL ELECTRICAL EQUIPMENT SHALL BE LABELED, LISTED OR CERTIFIED BY A NATIONALLY RECOGNIZED TESTING LABORATORY ACCREDITED BY THE UNITED STATES OCCUPATIONAL SAFETY & HEALTH ADMINISTRATION.PV EQUIPMENT, SYSTEMS AND ALL ASSOCIATED WIRING AND INTERCONNECTIONS SHALL ONLY BE INSTALLED BY QUALIFIED PERSONS.**
 THIS IS A (15) MODULE SOLAR ELECTRIC PROJECT USING APTOS SOLAR MODULES : DNA-144-BF26-365 365 (WATT)
 - THIS SYSTEM USES (1) GENERAC POWERCELL : MODEL X7602 INVERTERS.
 - NO BATTERY BACKUP OR UPS IS USED IN THIS SYSTEM.
 - THIS SYSTEM IS A 5.475 kW USING IRONRIDGE RAKING AT A 37 PITCH.
 - NO ALTERATIONS TO EXISTING DWELLING, THIS BUILDING IS A 1 STORY HOUSE.
 - LOCAL UTILITY PROVIDED SHALL BE NOTIFIED PRIOR TO USE AND ACTIVATION OF ANY SOLAR PV INSTALLATION.
 - NO SHEET METAL OR TECH SCREWS SHALL BE USED TO GROUND DISCONNECT ENCLOSURE WITH TIN-PLATED ALUMINUM LUGS; PROPER GROUNDING/GROUND BAR KITS SHOULD BE USED.
 - ALL ELECTRICAL EQUIPMENT SHALL BE 3 FEET FROM GAS METER.

SHEET NO	DRAWING INFO
PV-1	COVER SHEET
PV-2	LAYOUT
PV-3	STRUCTURE
PV-4	WIRING
PV-5	SIGNAGE

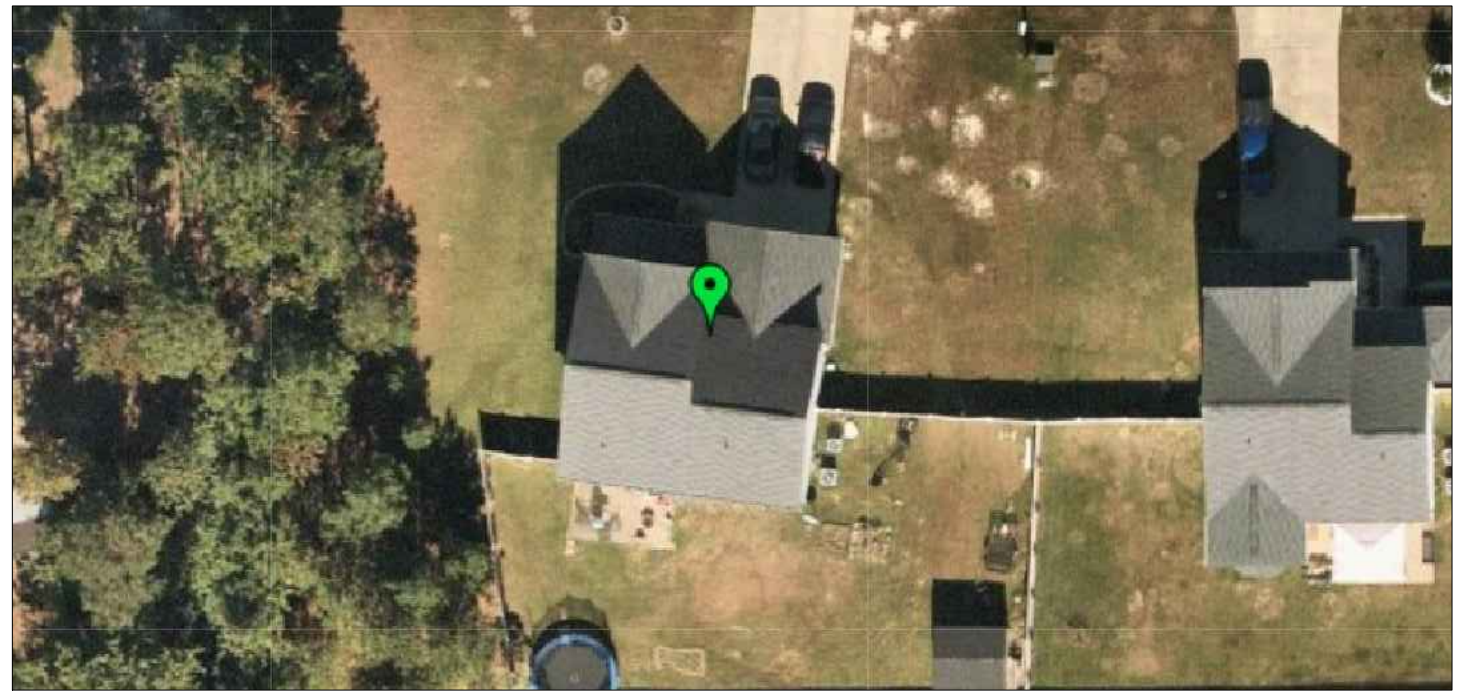
LEGEND

—	ROOF OUTLINE
⊗ ○	ROOF VENT/MECHANICAL
□	SOLAR MODULE (69"X41")
⊕	PV STAND-OFF/PENETRATION
- -	CONDUIT RUN

VICINITY MAP



SATELLITE MAP



SOLAR TYME
 6710 JEFFERSON HWY
 RICHMOND, VA 23237
 LICENSE #2705036452

JUVON ALLGOOD
55 HUZZAS CIR,
CAMERON, NC 28326

REV 1
 Designed by
BB
 Issue Date
15-Feb-22
 Drawing
 Cover Sheet
 Drawing
 PV-1



SOLAR TYME
6710 JEFFERSON HWY
RICHMOND, VA 23237
LICENSE #2705036452

JUVON ALLGOOD
55 HUZZAS CIR,
CAMERON, NC 28326

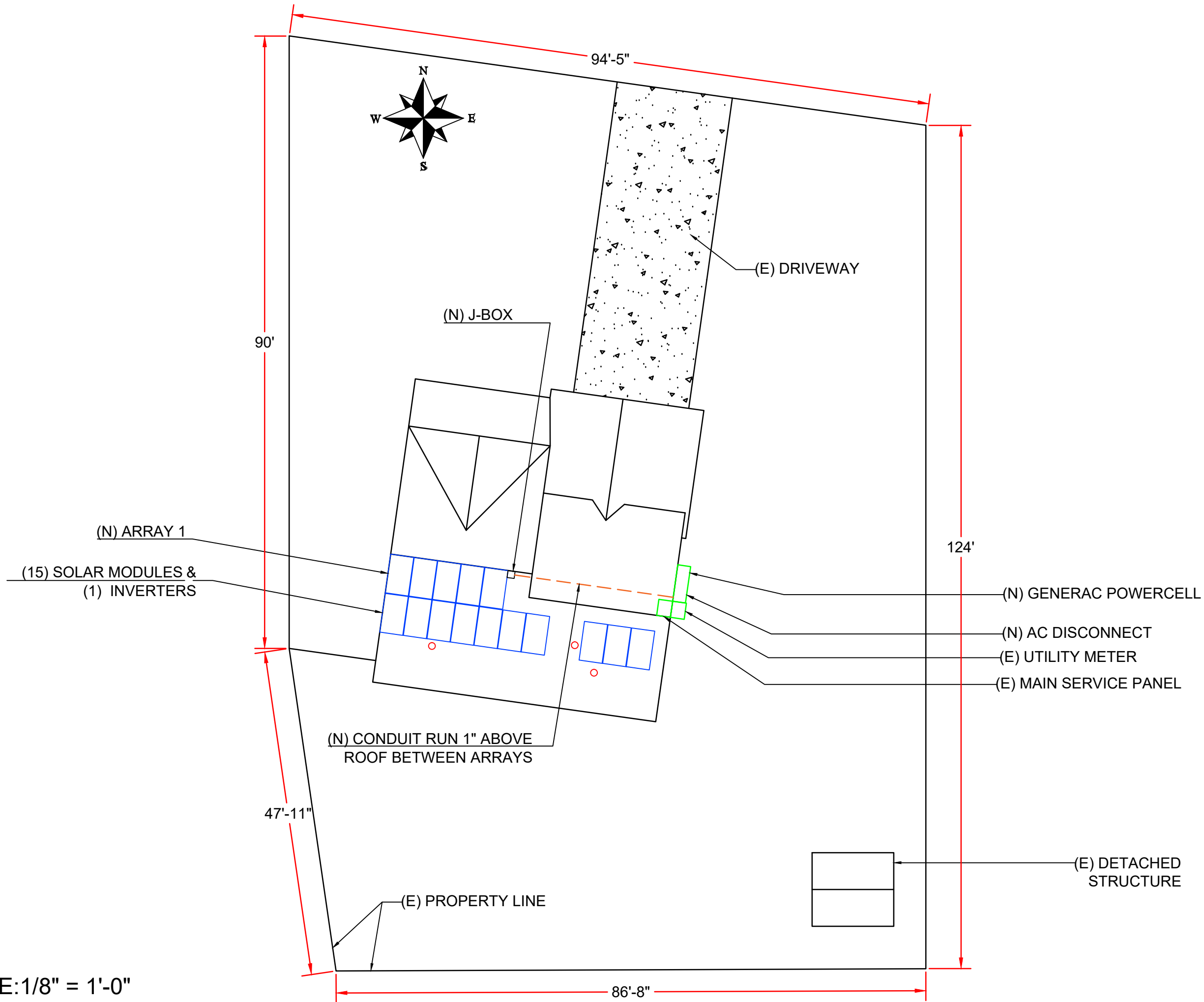
REV 1

Designed by
BB

Issue Date
15-Feb-22

Drawing
Layout

Drawing
PV-2



55 HUZZAS CIR,

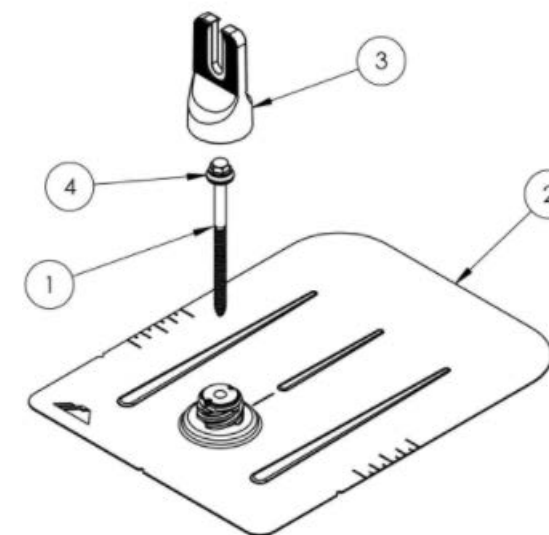
SCALE: 1/8" = 1'-0"

ROOF NOTES:

1. THE ROOF MODULES WILL NOT COVER ANY PLUMBING OR MECHANICAL VENTS
2. THIS SYSTEM IS ON COMP SHINGLE ROOF AT A 37° PITCH WITH 2X8 RAFTERS AT 16" O.C.
3. THIS ROOF HAS 1 LAYERS OF COMP SHINGLES.
4. THESE BUILDINGS ARE 1 STORY HOUSES AND GARAGE.
5. NO ATTACHMENTS SHALL BE MADE WITHIN 6 INCHES OF ALL NAILING PLATES.
6. ALL WIRING SETBACK ON THE ROOF IS IN 3/4" EMT AND 4" ABOVE THE ROOF.
7. ALL LAG SCREWS SHALL HAVE A MINIMUM EMBEDMENT OF 2.5"
8. MAX CANTILEVER SHALL BE 18" OR AS SPECIFIED ON PLANS.
9. ALL RAILS TO BE LEVELED.
10. ALL CONNECTIONS SHALL BE SEALED WITH WATERPROOF SEALANT.
11. PROVIDE 3/16" PILOT HOLE PRIOR TO INSTALLATION OF 5/16 LAG SCREW

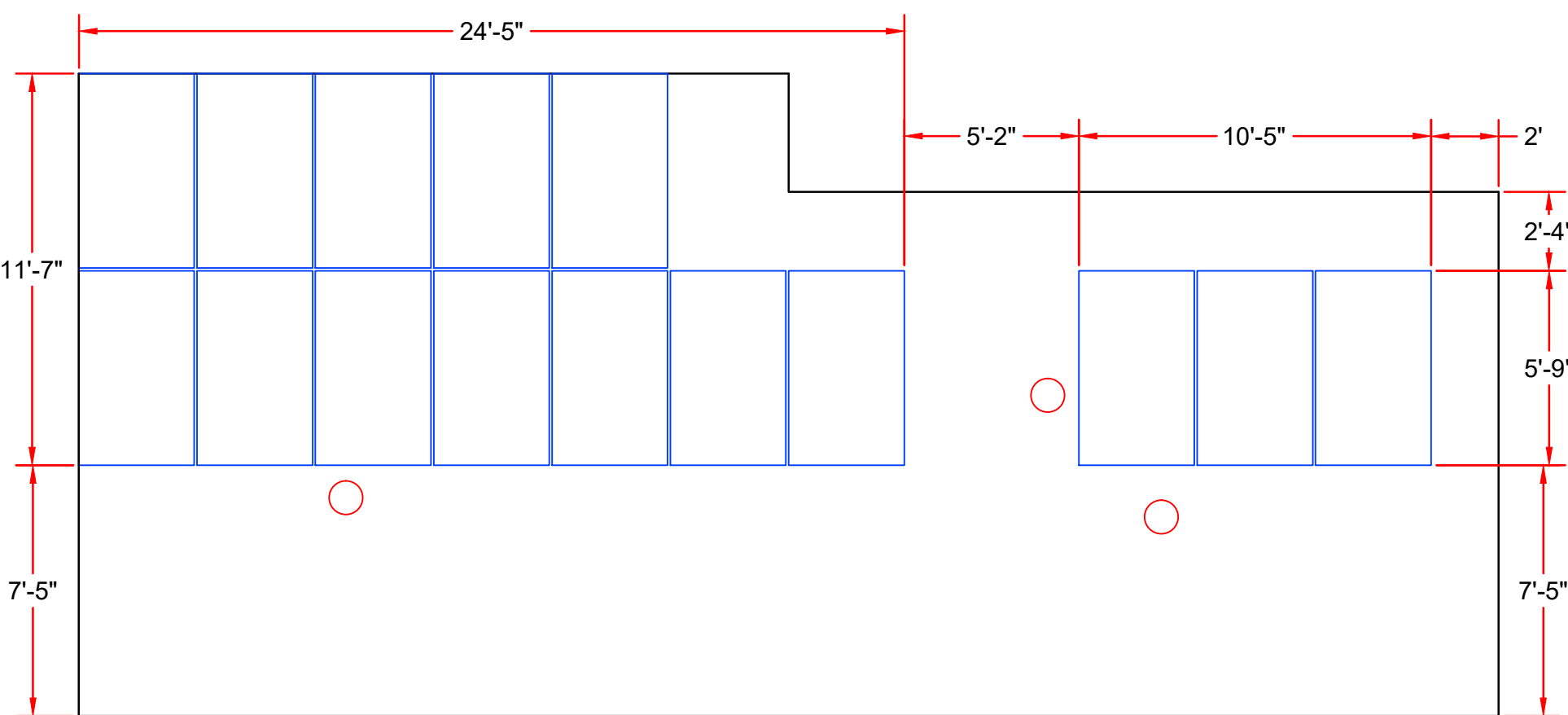
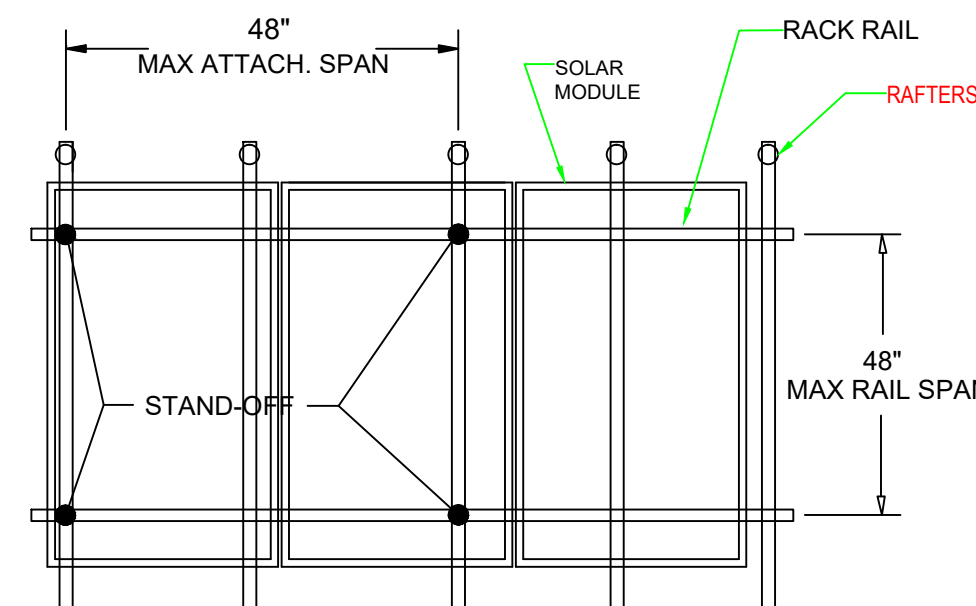
SCALE: 3/8" = 1'-0":ARRAY 1

MODULE ATTACHMENT



ITEM NO.	DESCRIPTION
1	BOLT LAG 5/16 X 4.75"
2	ASSY, FLASHING
3	ASSY, CAP
4	WASHER, EPDM BACKED

ROOF ATTACHMENT



PER ASCE 7-16
 WIND SPEED = 120 mph
 SNOW LOAD = 10 lb/sf



SOLAR TYME
 6710 JEFFERSON HWY
 RICHMOND, VA 23237
 LICENSE #2705036452

JUVON ALLGOOD
 55 HUZZAS CIR,
 CAMERON, NC 28326

REV 1

Designed by
BB

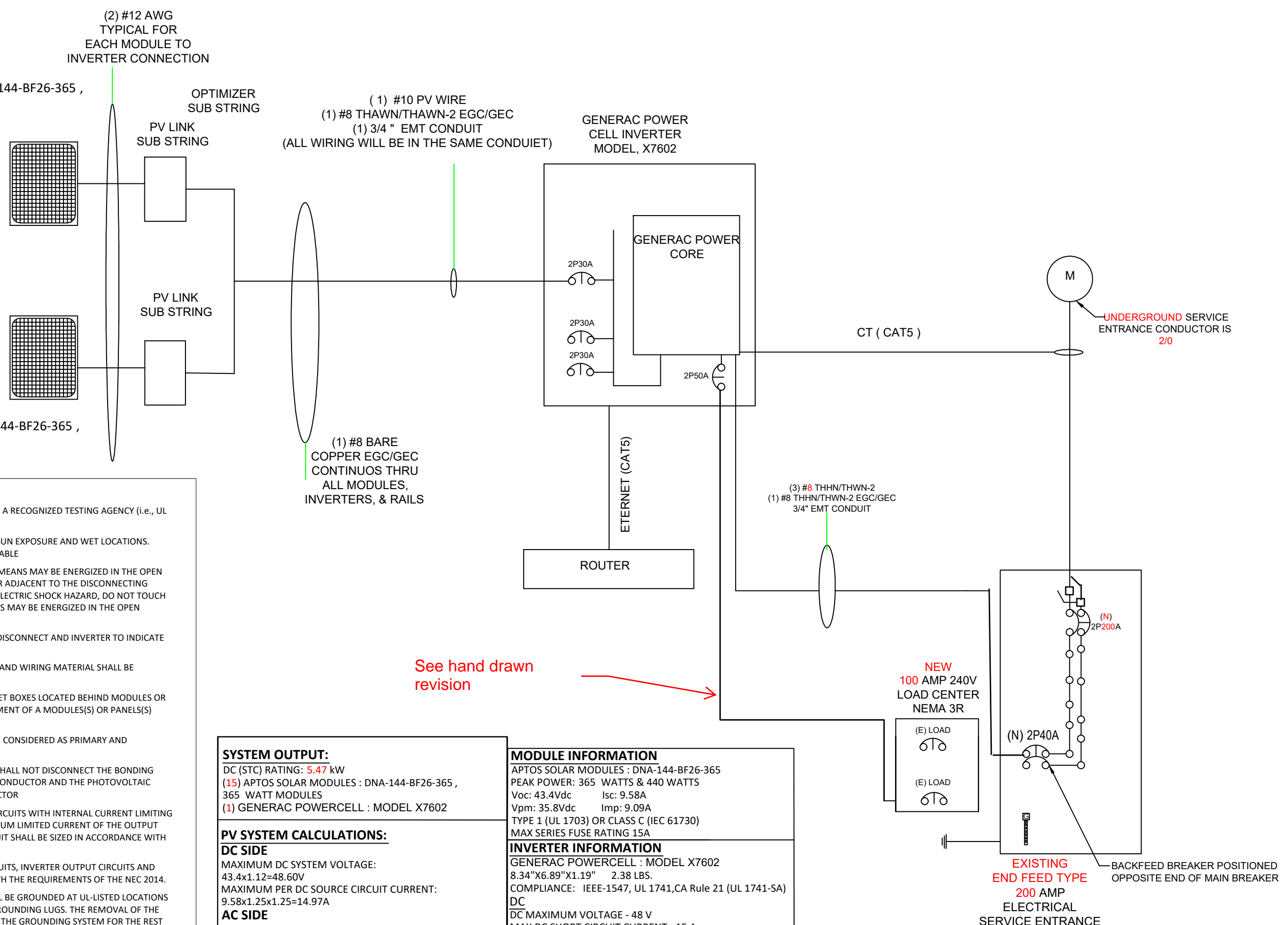
Issue Date
15-Feb-22

Drawing
 Structure

Drawing
 PV-3

(8) APTOS SOLAR MODULES : DNA-144-BF26-365 ,
 365 WATT MODULES

(7) APTOS SOLAR MODULES : DNA-144-BF26-365 ,
 365 WATT MODULES



See hand drawn revision

- NOTES:
- ALL PV SYSTEM COMPONENT SHALL BE LISTED BY A RECOGNIZED TESTING AGENCY (i.e., UL 1741, ETC)
 - WIRING MATERIAL SHALL BE SUITABLE FOR THE SUN EXPOSURE AND WET LOCATIONS. FIELD APPLIED PROTECTIVE COATINGS ARE NOT ACCEPTABLE
 - WHERE THE TERMINAL OF THE DISCONNECTING MEANS MAY BE ENERGIZED IN THE OPEN POSITION, A WARNING SIGN SHALL BE MOUNTED ON OR ADJACENT TO THE DISCONNECTING MEANS HAVING THE FOLLOWING WORDS: "WARNING-ELECTRIC SHOCK HAZARD, DO NOT TOUCH TERMINALS. TERMINALS ON BOTH LINE AND LOAD SIDES MAY BE ENERGIZED IN THE OPEN POSITION"
 - SIGNS SHALL BE POSTED ADJACENT TO EACH PV DISCONNECT AND INVERTER TO INDICATE "PHOTOVOLTAIC SYSTEM"
 - ALL PV MODULES AND ASSOCIATED EQUIPMENT AND WIRING MATERIAL SHALL BE PROTECTED FROM PHYSICAL DAMAGE
 - ALL FIELD INSTALLED JUNCTION, PULL AND OUTLET BOXES LOCATED BEHIND MODULES OR PANEL SHALL BE ACCESSIBLE DIRECTLY OR BY DISPLACEMENT OF A MODULE(S) OR PANEL(S) SECURED BY REMOVABLE FASTENERS
 - EACH SIDE OF A POWER TRANSFORMER SHALL BE CONSIDERED AS PRIMARY AND PROTECTED IN ACCORDANCE WITH NEC 2014
 - REMOVAL OF INVERTER OR OTHER EQUIPMENT SHALL NOT DISCONNECT THE BONDING CONNECTION BETWEEN THE GROUNDING ELECTRODE CONDUCTOR AND THE PHOTOVOLTAIC SOURCE AND/OR OUTPUT CIRCUIT GROUNDED CONDUCTOR
 - THE OVER-CURRENT PROTECTION OF OUTPUT CIRCUITS WITH INTERNAL CURRENT LIMITING DEVICES SHALL BE NOT LESS THAN 125% OF THE MAXIMUM LIMITED CURRENT OF THE OUTPUT CIRCUIT. THE CONDUCTORS IN SUCH AN OUTPUT CIRCUIT SHALL BE SIZED IN ACCORDANCE WITH NEC 2014.
 - PHOTOVOLTAIC SOURCE CIRCUITS, OUTPUT CIRCUITS, INVERTER OUTPUT CIRCUITS AND EQUIPMENT SHALL BE PROTECTED IN ACCORDANCE WITH THE REQUIREMENTS OF THE NEC 2014.
 - MODULES FRAMES AND RACKING SYSTEMS SHALL BE GROUNDED AT UL-LISTED LOCATIONS PROVIDED BY THE MANUFACTURER USING UL LISTED GROUNDING LUGS. THE REMOVAL OF THE ONE PANEL SHALL NOT INTERRUPT THE CONTINUITY OF THE GROUNDING SYSTEM FOR THE REST OF THE PANELS OR RACKING SYSTEM. NEC 2014 690.64(B)(2)
 - ALL NEC REQUIRED PV SIGNAGE (690.17, 690.53, 690.56, 705.10) WILL BE POSTED.
 - IF AN EXISTING GROUND ROD IS PRESENT, AN ADDITIONAL GROUND ROD WILL BE PLACED LESS THAN 6 FEET AWAY.
 - IF THE EXISTING MAIN SERVICE PANEL DOES NOT HAVE A VIABLE GROUNDING ELECTRODE, IT IS THE PV CONTRACTOR'S RESPONSIBILITY TO INSTALL A SUPPLEMENTAL GROUNDING ELECTRODE.
 - ALL ELECTRICAL EQUIPMENT SHALL BE LABELED, LISTED OR CERTIFIED BY A NATIONALLY RECOGNIZED TESTING LABORATORY ACCREDITED BY THE UNITED STATES OCCUPATIONAL SAFETY HEALTH ADMINISTRATION.

SYSTEM OUTPUT:
 DC (STC) RATING: 5.47 kW
 (15) APTOS SOLAR MODULES : DNA-144-BF26-365 ,
 365 WATT MODULES
 (1) GENERAC POWERCELL : MODEL X7602

PV SYSTEM CALCULATIONS:
DC SIDE
 MAXIMUM DC SYSTEM VOLTAGE:
 43.4x1.12=48.60V
 MAXIMUM PER DC SOURCE CIRCUIT CURRENT:
 9.58x1.25x1.25=14.97A
AC SIDE
 MAXIMUM AC SYSTEM VOLTAGE: 240V
 MAXIMUM AC CURRENT FOR OVER-CURRENT PROTECTION:
 1X32X1.25=40A,40A

MODULE INFORMATION
 APTOS SOLAR MODULES : DNA-144-BF26-365
 PEAK POWER: 365 WATTS & 440 WATTS
 Voc: 43.4Vdc Isc: 9.58A
 Vpm: 35.8Vdc Imp: 9.09A
 TYPE 1 (UL 1703) OR CLASS C (IEC 61730)
 MAX SERIES FUSE RATING 15A

INVERTER INFORMATION
 GENERAC POWERCELL : MODEL X7602
 8.34"x6.89"x1.19" 2.38 LBS.
 COMPLIANCE: IEEE-1547, UL 1741, CA Rule 21 (UL 1741-SA)
DC
 DC MAXIMUM VOLTAGE - 48 V
 MAX DC SHORT CIRCUIT CURRENT - 15 A
 PEAK POWER TRACKING VOLTAGE - 27 V- 37 V
 MIN/MAX PV START VOLTAGE - 22V/48V
AC
 MAXIMUM OUTPUT POWER - 240VA
 OPERATING RANGE, UTILITY VOLTAGE - 211 - 264V @ 240V
 MAXIMUM CONTINUOUS OUTPUT CURRENT - 1.0A @ 240V
 FREQUENCY OPERATING RANGE - 60 HZ / 47 - 68 HZ
 MAXIMUM EFFICIENCY - 97%

Electrical Contractor / Tradesman:
 Bruce Sutton Brown
 Caroline Electrical & Mechanical Co.,
 "CEMCO"
 7402 Gilmore Dr., Wilmington, NC 28411
 License # 1.23104

Signed: _____
 Date: _____

SIGNAGE

CAUTION: SOLAR ELECTRIC SYSTEM CONNECTED

TO BE PLACED ON ALL INTERIOR & EXTERIOR PV CONDUITS, RACEWAYS, ENCLOSURE, CABLE ASSEMBLES, EVERY 10 FEET, 1' FROM TURNS AND ABOVE AND BELOW PENETRATIONS AND ALL DC COMBINER AND JUNCTION BOXES

PHOTOVOLTAIC POWER SOURCE

OPERATING AC VOLTAGE: **240 V**

MAXIMUM OPERATING AC OUTPUT CURRENT: **40.00 A**

TO BE PLACED ON MAIN SERVICE PANEL

PHOTOVOLTAIC SYSTEM EQUIPPED WITH RAPID SHUTDOWN

TO BE PLACED ON MAIN SERVICE PANEL

PHOTOVOLTAIC SYSTEM COMBINER PANEL DO NOT ADD LOADS

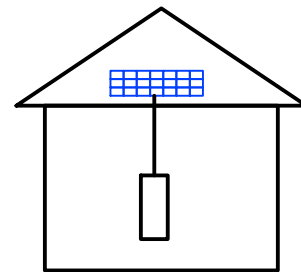
TO BE PLACED ON SOLAR SUB PANEL

RAPID SHUT DOWN SWITCH FOR SOLAR PV SYSTEM

TO BE PLACED ON AC DISCONNECT

SOLAR PV SYSTEM EQUIPPED WITH RAPID SHUTDOWN

TURN RAPID SHUTDOWN SWITCH TO THE "OFF" POSITION TO SHUTDOWN PV SYSTEM AND REDUCE SHOCK HAZARD IN THE ARRAY



LABEL FOR PV SYSTEMS THAT SHUT DOWN

THE ARRAY AND THE CONDUCTORS LEAVING THE ARRAY

NOTES:

ALL LABELS WILL BE ON RESISTANT MATERIAL SUITABLE FOR THE ENVIRONMENT
ALL LABELS SHALL HAVE A RED BACKGROUND WITH MIN. 3/8" WHITE LETTERING

WARNING
ELECTRICAL SHOCK HAZARD
DO NOT TOUCH TERMINALS.
TERMINALS ON BOTH LINE AND LOAD SIDES MAY BE ENERGIZED IN THE OPEN POSITION.

TO BE PLACED ON DISCONNECT

WARNING
DUAL POWER SUPPLY
SOURCES: UTILITY GRID AND PV SOLAR ELECTRIC SYSTEM

TO BE PLACED ON MAIN SERVICE PANEL

WARNING: PHOTOVOLTAIC POWER SOURCE

TO BE PLACED ON MAIN SERVICE PANEL

PHOTOVOLTAIC SYSTEM
AC DISCONNECT

WARNING

DUAL POWER SUPPLY

SOURCES: UTILITY GRID AND PV SOLAR ELECTRIC SYSTEM

ELECTRIC SHOCK HAZARD

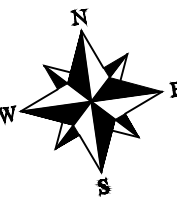
DO NOT TOUCH TERMINALS
TERMINALS ON BOTH THE LINE AND LOAD SIDES
MAY BE ENERGIZED IN THE OPEN POSITION.

OPERATING VOLTAGE: **240 VOLTS**
OPERATING CURRENT: **40.00 AMPS**

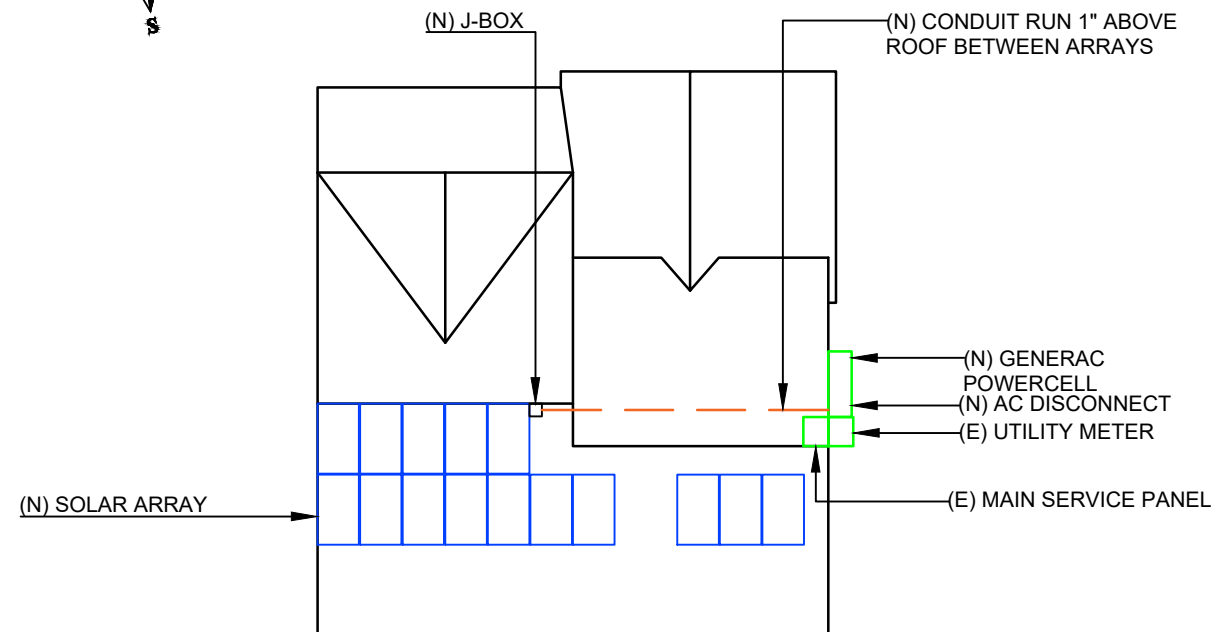
TO BE PLACED ON DISCONNECT

SOLAR PV BREAKER
BREAKER IS BACKFED
DO NOT RELOCATE

TO BE PLACED INSIDE MAIN SERVICE PANEL
NEXT TO SOLAR BREAKER



55 HUZZAS CIR,



TO BE PLACED ON MAIN SERVICE PANEL



SOLAR TYME
6710 JEFFERSON HWY
RICHMOND, VA 23237
LICENSE #2705036452

JUVON ALLGOOD
55 HUZZAS CIR,
CAMERON, NC 28326

REV 1

Designed by
BB

Issue Date
15-Feb-22


Drawing
Signage


Drawing
PV-5


Residential | Commercial

Designed & Engineered in Silicon Valley 370W | 365W | 360W

Our DNA™ Split Cell Series impressively combines advanced solar technologies to maximize performance. Our patented Dual Nano Absorber (DNA™) Technology allows the panel to operate at high-efficiencies in extreme temperatures. Contact our sales team today to learn more about our line of high-efficiency solar panels.

 Patented DNA™ technology boosts power performance & module efficiency

 Advanced split cell technology with 9 ultra-thin busbars allows for less resistance and more photon capture

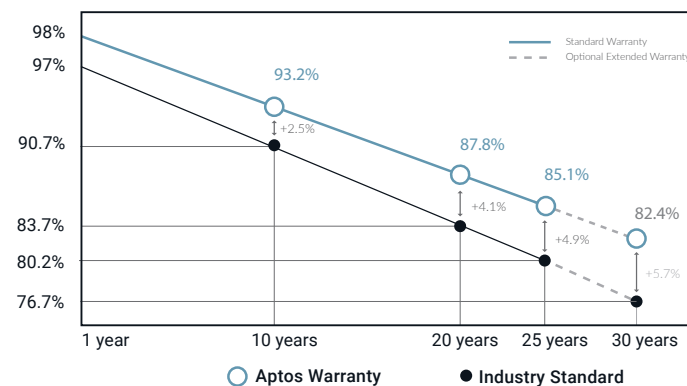
 Ideal solution for applications affected by shading

 All-black design for pristine aesthetics
No excessive silver bussing or ribbons

 Robust product design is resilient in extreme weather. Up to 5400 Pa snow load and 210 mph wind speeds



Linear Performance Warranty



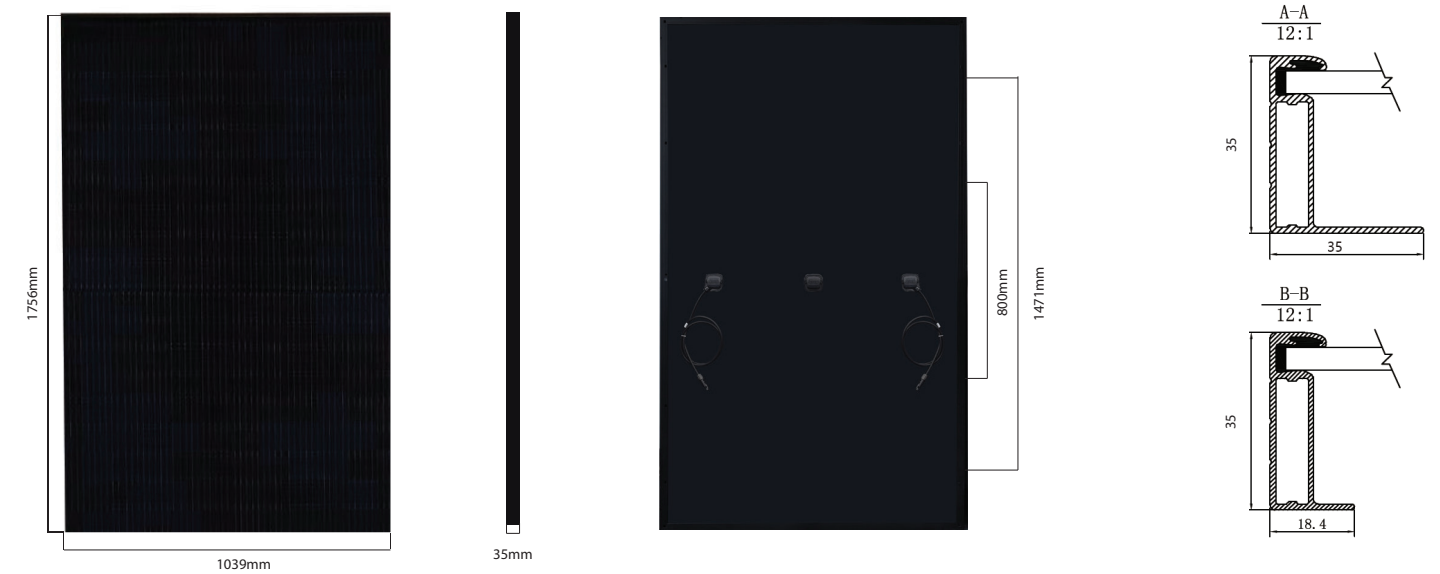
30 Year Warranty

3X IEC Standards

RETC Top Performer



3140 De La Cruz Blvd., Ste 200
Santa Clara, CA 95054
www.aptossolar.com
info@aptossolar.com



Electrical Specifications

	DNA-120-MF26-360W	DNA-120-MF26-365W	DNA-120-MF26-370W
STCrated Output P_{mmp} (W)	360W	365W	370W
Module Efficiency	19.73%	20.01%	20.29%
Open Circuit Voltage V_{voc} (V)	40.6	40.7	40.8
Short Circuit Current I_{sc} (A)	11.24	11.36	11.51
Rated Voltage V_{mmp} (V)	33.8	33.96	34.06
Rated Voltage I_{mmp} (A)	10.66	10.75	10.87

Standard Test Conditions for front-face of panel: 1000 W/m², 25°C, measurement uncertainty $\pm 3\%$

Temperature Coefficients

Temperature Coefficients P_{mmp}	-0.36%
Temperature Coefficients I_{sc}	+0.05%/°C
Temperature Coefficients V_{oc}	-0.29%/°C
Normal Operating Cell Temperature (NOCT)	44°C

Test Operating Conditions

Maximum Series Fuse	20A
Maximum System Voltage	1,500 VDC (UL&IEC)
Maximum Load Capacity (Per UL 1703)	5400 PA Snow Load / 210mph Wind Rating
Fire Performance Class	Class C/Type 1

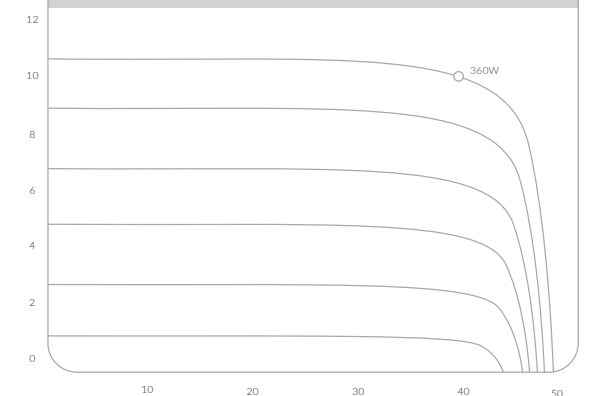
Packaging Configuration

Number of Modules per Pallet	30
Number of Pallets per 40ft. Container	26
Pallet Dimensions	1740 X 1140 X 1165
Pallet Weight (kg)	640
Container Weight (kg)	16640

Mechanical Properties

Cell Type	Monocrystalline
Glass	3.2mm, anti-reflection coating, high transmission, low iron, tempered glass
Frame	Anodized Aluminum Alloy
Junction Box	IP68
Dimensions	1756 X 1039 X 35mm
Output Cable	4mm ² (EU)12AWG,39.37in.(1200mm)
Weight	45.19lbs.(20.5kg)
Cable Length	1200mm
Encapsulant	POE

I-V Curve

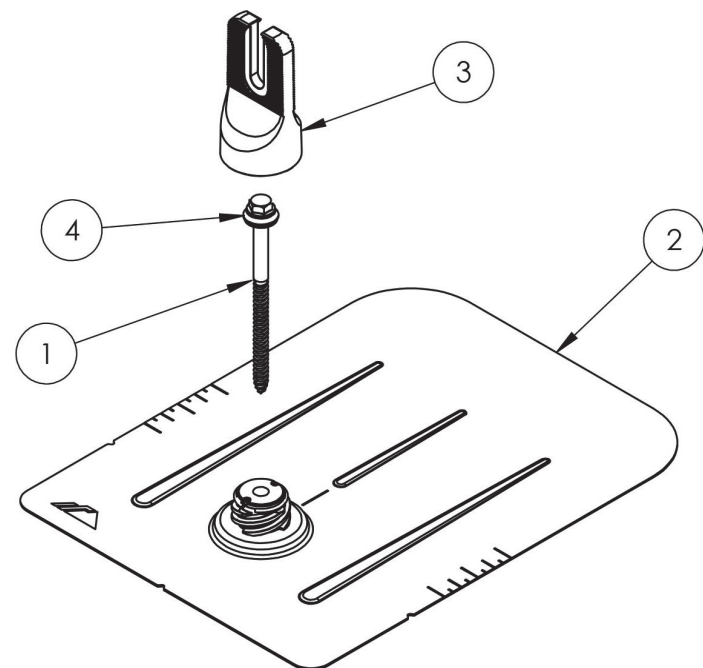


Certifications



UL61730-1, UL61730-2



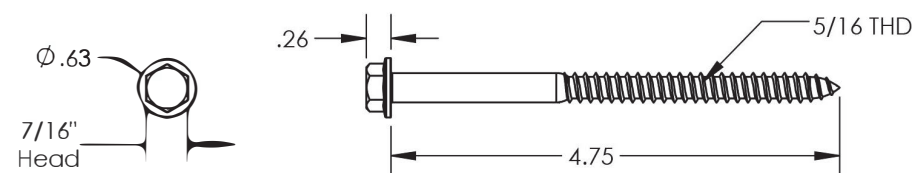


ITEM NO.	DESCRIPTION
1	BOLT LAG 5/16 X 4.75"
2	ASSY, FLASHING
3	ASSY, CAP
4	WASHER, EPDM BACKED

FLASHFOOT 2

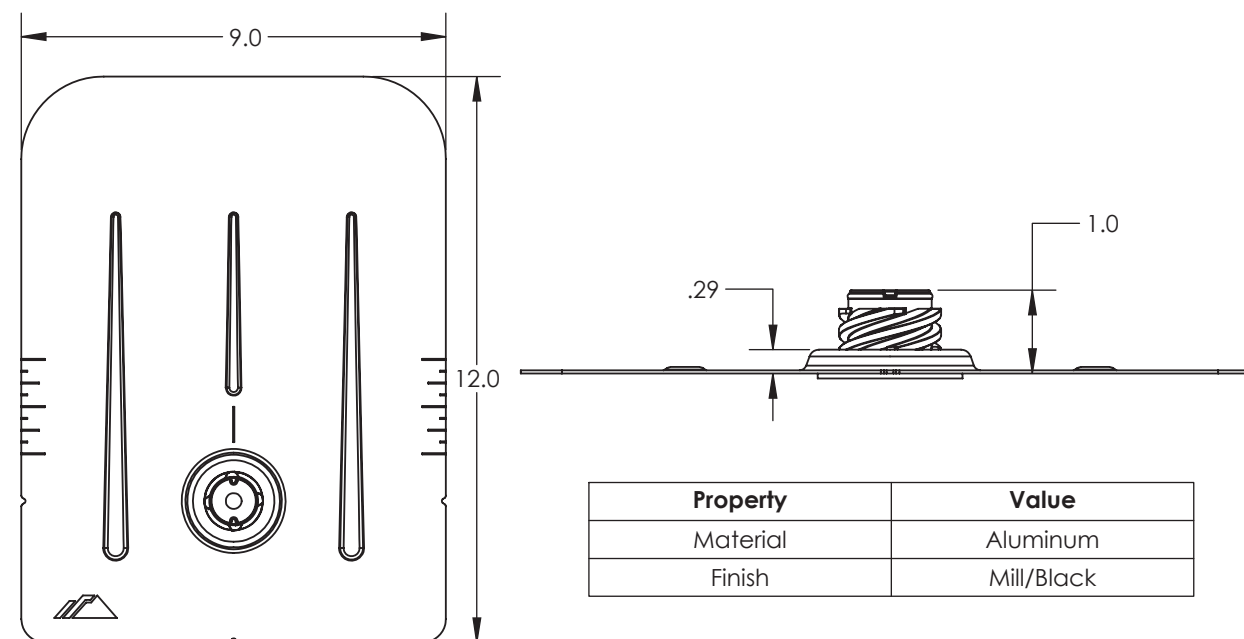
Part Number	Description
FF2-01-M1	FLASHFOOT2, MILL
FF2-01-B1	FLASHFOOT2, BLACK

1) Bolt, Lag 5/16 x 4.75



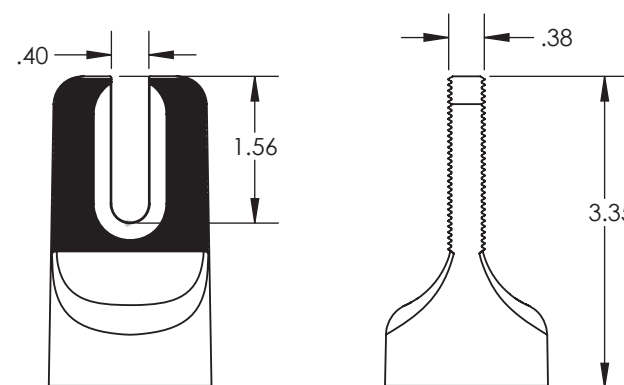
Property	Value
Material	300 Series Stainless Steel
Finish	Clear

2) Assy, Flashing



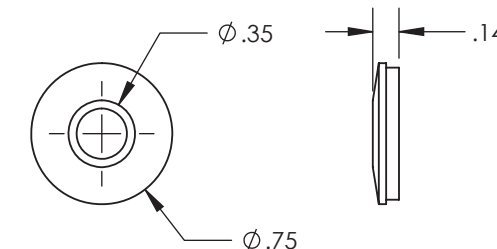
Property	Value
Material	Aluminum
Finish	Mill/Black

3) Assy, Cap



Property	Value
Material	Aluminum
Finish	Mill/Black

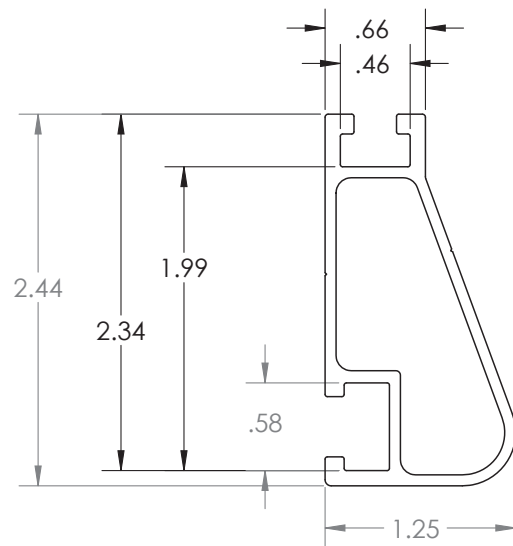
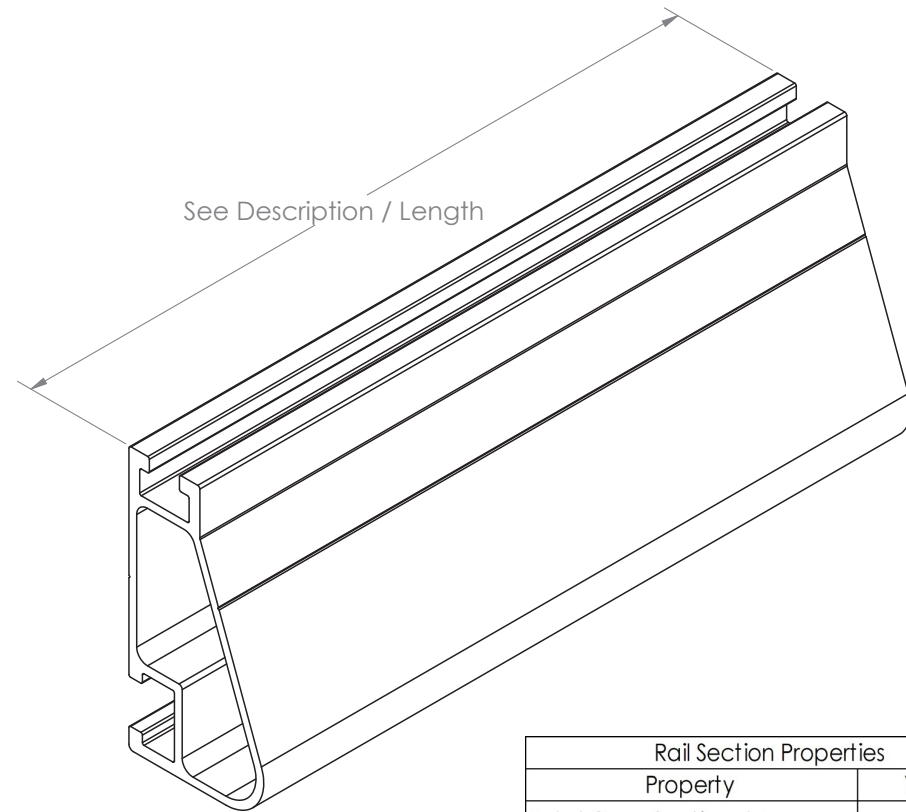
4) Washer, EPDM Backed



Property	Value
Material	300 Series Stainless Steel
Finish	Clear



XR100 Rail



Rail Section Properties	
Property	Value
Total Cross-Sectional Area	0.582 in ²
Section Modulus (X-axis)	0.297 in ³
Moment of Inertia (X-axis)	0.390 in ⁴
Moment of Inertia (Y-axis)	0.085 in ⁴
Torsional Constant	0.214 in ³
Polar Moment of Inertia	0.126 in ⁴

APPROVED MATERIALS:
 6005-T6, 6005A-T61, 6105-T5, 6N01-T6
 (34,000 PSI YIELD STRENGTH MINIMUM)

Clear Part Number	Black Part Number	Description / Length	Material	Weight
XR-100-132A	XR-100-132B	XR100, Rail 132" (11 Feet)	6000-Series Aluminum	7.50 lbs.
XR-100-168A	XR-100-168B	XR100, Rail 168" (14 Feet)		9.55 lbs.
XR-100-204A	XR-100-204B	XR100, Rail 204" (17 Feet)		11.60 lbs.

FEATURES:

No autotransformer or battery inverter needed

User-selectable modes

Free system monitoring



GENERAC

PWRCELL

Inverter
Model: X7602, X11402

Solar-plus-storage is simple with the Generac PWRcell Inverter. This bi-directional, REbus™-powered inverter offers a simple, efficient design for integrating smart batteries with solar. Ideal for self-supply, backup power, zero-export and energy cost management, the PWRcell inverter is the industry's most feature-rich line of inverters, available in single-phase and three-phase models.

ADDITIONAL FEATURES

- Single inverter for grid-tied solar with smart battery integration
- Simplified system design: No autotransformer or battery inverter needed
- User-selectable modes for backup power, self-supply, time-of-use and zero-export
- Free system monitoring included via PWRview Web Portal and Mobile App

AC OUTPUT/ GRID-TIE	MODEL X7602	MODEL X11402
RATED AC POWER OUTPUT	7600 W	11400 W
AC OUTPUT VOLTAGE	120/240, 10 VAC	120/208, 3Ø VAC
AC FREQUENCY	60 Hz	60 Hz
MAXIMUM CONTINUOUS OUTPUT CURRENT	32 A, RMS	32 A, RMS
GROUND-FAULT ISOLATION DETECTION	Included	Included
CHARGE BATTERY FROM AC	Yes	Yes
THD (CURRENT)	< 2 %	< 2 %
TYPICAL NIGHTTIME POWER CONSUMPTION	< 7 W	< 7 W

AC OUTPUT/ BACKUP	MODEL X7602	MODEL X11402
RATED AC BACKUP POWER OUTPUT	8000 W	8000 W
MAXIMUM AC BACKUP POWER OUTPUT	12000 W	12000 W
AC BACKUP OUTPUT VOLTAGE	120/240, 10 VAC	120/240, 10 VAC
AC FREQUENCY	60 HZ	60 HZ
AC CIRCUIT BREAKER	50 A	50 A
THD (VOLTAGE)	< 2 %	< 2 %
AUTOMATIC SWITCHOVER TIME	< 1 Seconds	< 1 Seconds
TYPICAL NIGHTTIME POWER CONSUMPTION	30 W	30 W

DC INPUT	MODEL X7602	MODEL X11402
DC INPUT VOLTAGE RANGE	360-420 VDC	360-420 VDC
NOMINAL DC BUS VOLTAGE	380 VDC	380 VDC
MAX INPUT CURRENT	20 A	30 A
REVERSE-POLARITY PROTECTION	YES	YES
GROUND-FAULT ISOLATION DETECTION	YES	YES
TRANSFORMERLESS, UNGROUNDED	YES	YES

DC INPUT/ BATTERY	MODEL X7602	MODEL X11402
MAXIMUM CONTINUOUS POWER	8000 W	8000 W
INTERNAL DC DISTRIBUTION BREAKERS	4X 2P30A	4X 2P30A
DC FUSES ON PLUS AND MINUS	40 A	40 A
2-POLE DISCONNECTION	YES	YES

EFFICIENCY	MODEL X7602	MODEL X11402
PEAK EFFICIENCY	97 %	98 %
CEC WEIGHTED EFFICIENCY	96.5 %	97.5 %

Specifications



FEATURES AND MODES

ISLANDING ³	Yes
GRID SELL	Yes
SELF CONSUMPTION	Yes
PRIORITIZED CHARGING FROM RENEWABLES	Yes
GRID SUPPORT - ZERO EXPORT	Yes

ADDITIONAL FEATURES

SUPPORTED COMMUNICATION INTERFACES	CANbus, RS4854, Ethernet
SYSTEM MONITORING	PWRview Web Portal and Mobile App
CRITICAL LOADS DISCONNECT ³	Yes
MANUAL INVERTER BYPASS SWITCH	Automatic
WARRANTY	10 Years

STANDARDS COMPLIANCE

SAFETY	UL1741 SA, CSA 22.2
GRID CONNECTION STANDARDS	IEEE1547, Rule 21, Rule 14H
EMISSIONS	FCC part15 class B

DIMENSIONS AND INSTALLATION SPECIFICATIONS

WIRE GAUGE RANGE	10 - 8 AWG
TOTAL AC KNOCKOUTS X SIZE	2" x 0.75", 2 x 1"
TOTAL DC KNOCKOUTS X SIZE	5" x 1"
DIMENSIONS (L, W, H)	24.5" x 19.25" x 8"
WEIGHT	62.7 lb
COOLING	Forced convection
NOISE	< 40 dBA
OPERATING TEMPERATURE	-20 to 50 °C*
PROTECTION RATING	NEMA 3R

INSTALLATION GUIDELINES

BATTERY TYPES SUPPORTED	PWRcell battery module
MODULE STRING SIZE PER PV LINK OPTIMIZER	2-9 PV modules
MAXIMUM RECOMMENDED DC POWER FROM PV	10kW (10), 15kW (30)
BATTERIES PER INVERTER	Up to 2

³ 3Ø inverters offer islanding for 10 loads, * Modbus, *Reduced power at extreme temperatures

Specifications subject to change without notice.

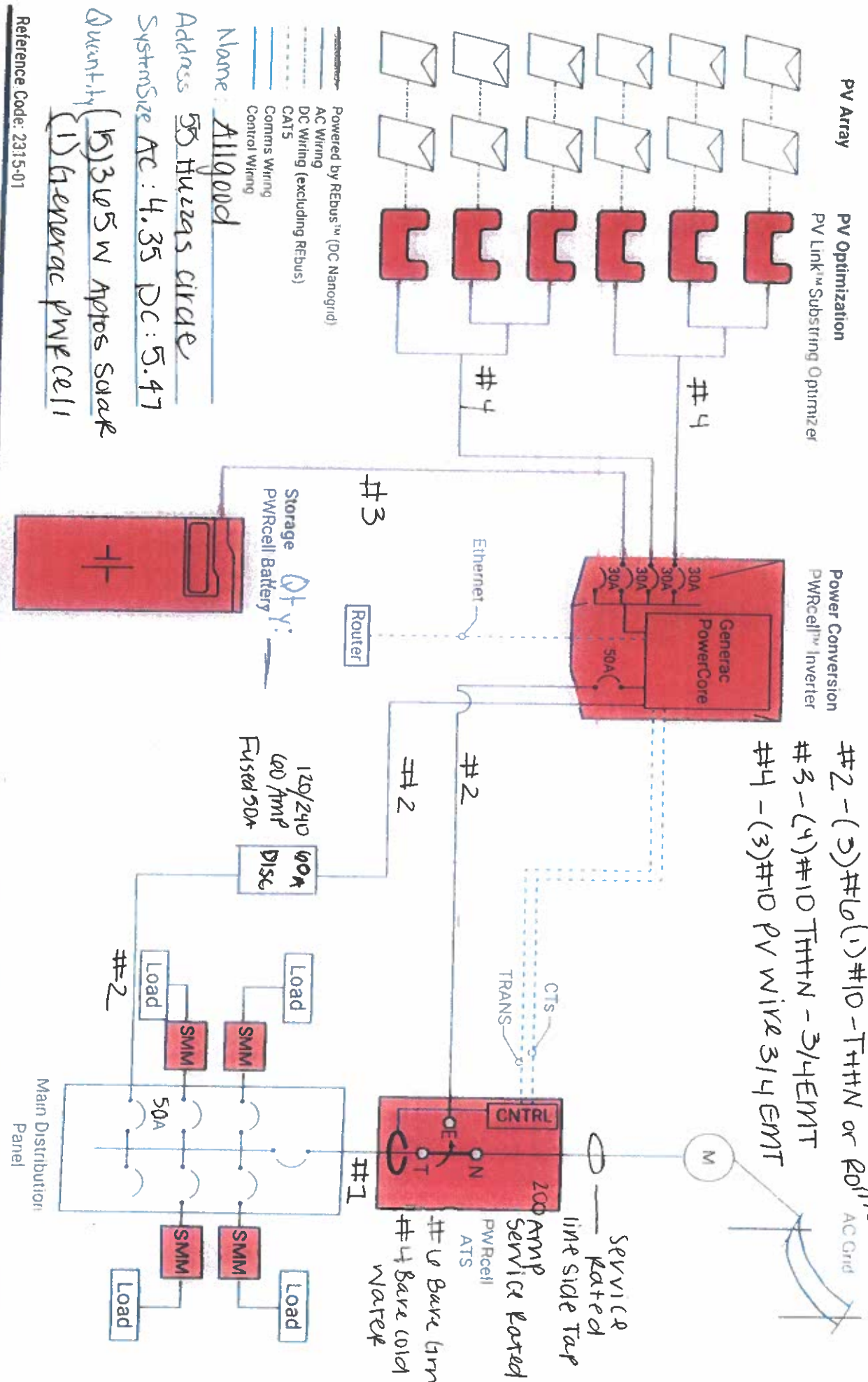
GENERAC

Generac Power Systems, Inc.
S45 W29290 Hwy. 59, Waukesha, WI 53189
www.Generac.com 1-888-GENERAC (1-888-436-3722)

GENERAC

Generac Power Systems, Inc.
S45 W29290 Hwy. 59, Waukesha, WI 53189
www.Generac.com 1-888-GENERAC (1-888-436-3722)

#1 - 4/0 SER cable
 #2 - (3) #10 THHN or Romex
 #3 - (4) #10 THHN - 3/4 EMT
 #4 - (3) #10 PV Wire 3/4 EMT



Name: Allgood
 Address: 55 Huizers circle
 System Size AC: 4.35 DC: 5.47
 Quantity: (15) 3005W AptoS Solar
(1) Generac PWRcell

Reference Code: 2315-01

This design shows a Generac PWRcell system with a PWRcell ATS in a whole home backup configuration. Use this system configuration to provide backup power to the main service panel loads using Generac Smart Management Modules (SMMs) for load shedding in accordance with NEC 702.4(B) and Article 220.

This configuration is acceptable with 200A or larger utility services.

Whole Home Backup / Solar + Storage

- 1 PWRcell Inverter
- 6 PV Links
- 1 PWRcell Battery
- 1 CT Kit (incl)
- 1 PWRcell ATS
- Generac SMMs

