

PROJECT DESCRIPTION:

30 X 400 HANWHA QCELL Q.PEAK DUO BLK ML-G10+ 400 MODULES
 ROOF MOUNTED SOLAR PHOTOVOLTAIC MODULES

SYSTEM SIZE: 12.00 kW DC STC
 ARRAY AREA: ROOF#1 - 274.56 SQ FT
 ARRAY AREA: ROOF#2 - 232.32 SQ FT
 ARRAY AREA: ROOF#3 - 63.36 SQ FT
 ARRAY AREA: ROOF#4 - 63.36 SQ FT

EQUIPMENT SUMMARY

30 HANWHA QCELL Q.PEAK DUO BLK ML-G10+ 400 MODULES
 06 GENERAC PV LINK S2502 POWER OPTIMIZERS
 02 GENERAC PWRCELL XVT076A03 INVERTERS

AUTHORITIES HAVING JURISDICTION

BUILDING : LEE COUNTY
 ZONING : LEE COUNTY
 UTILITY : CENTRAL ELECTRIC MEMBERSHIP CORP.

APPLICABLE CODES & STANDARDS

NORTH CAROLINA RESIDENTIAL CODE 2018
 NEC 2017

DESIGN SPECIFICATIONS

OCCUPANCY : II
 CONSTRUCTION : SINGLE-FAMILY
 ZONING : RESIDENTIAL
 GROUND SNOW LOAD : SEE STRUCTURAL LETTER
 WIND EXPOSURE : SEE STRUCTURAL LETTER
 WIND SPEED : SEE STRUCTURAL LETTER



2 HOUSE PHOTO

PV-1 SCALE: NTS

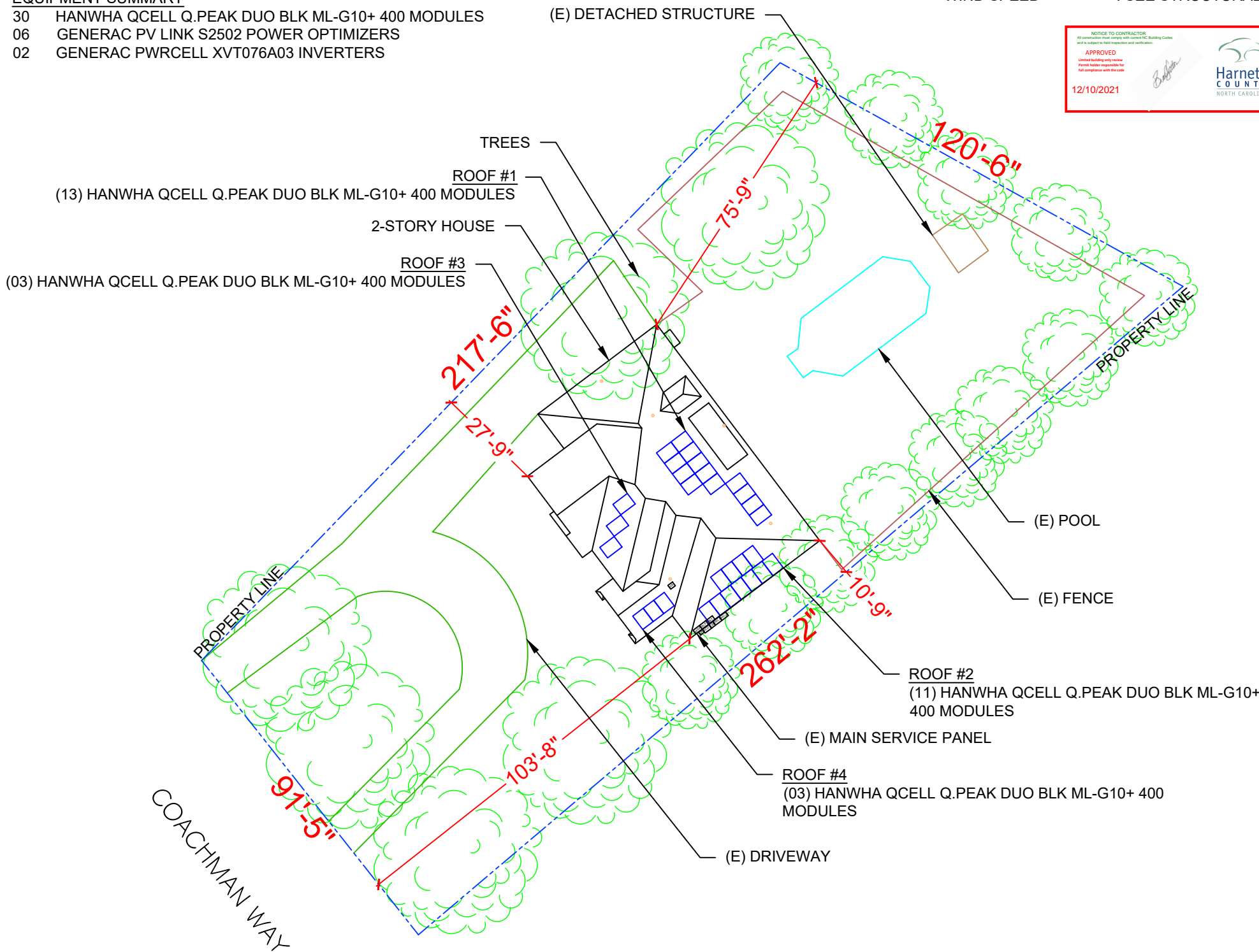


3 VICINITY MAP

PV-1 SCALE: NTS

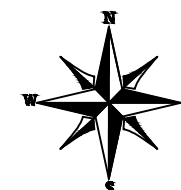
SHEET INDEX

- PV-1 PLOT PLAN & VICINITY MAP
- PV-2 ROOF PLAN & MODULES
- PV-2A STRING LAYOUT
- PV-3 & 3A ATTACHMENT DETAIL
- PV-4 ELECTRICAL LINE DIAGRAM
- PV-5 WIRING CALCULATIONS
- PV-5A WIRING CALCULATIONS
- PV-6 to 12A EQUIPMENT SPECIFICATIONS



1 PLOT PLAN & VICINITY MAP

PV-1 SCALE: 1/32" = 1'-0"



POWERHOME
 POWER HOME SOLAR, LLC
 "POWER YOUR FUTURE"
 919 N. MAIN ST.
 MOORESVILLE, NC 28115
 Phone: 704-800-6591 (OFFICE)
 Email: info@powerhome.com
 Web: www.powerhome.com

REVISIONS		
DESCRIPTION	DATE	REV

Signature with Seal
 DATE: 11/25/2021

PROJECT NAME & ADDRESS
**HOOKER ERIC
 RESIDENCE**
 685 COACHMAN WAY,
 SANFORD, NC 27332

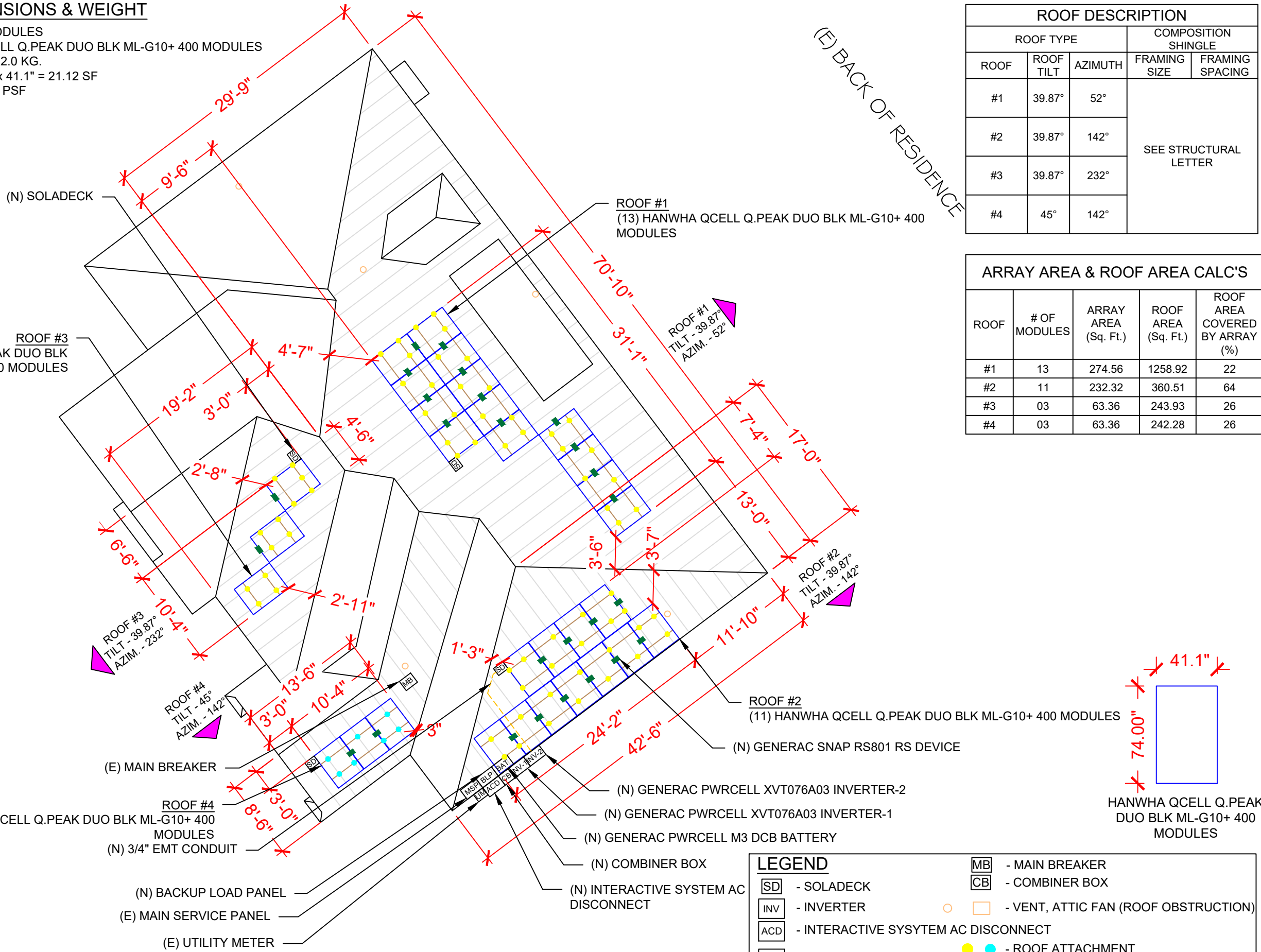
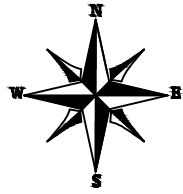
SHEET NAME
**PLOT PLAN &
 VICINITY MAP**

SHEET SIZE
**ANSI B
 11" X 17"**

SHEET NUMBER
PV-1

MODULE TYPE, DIMENSIONS & WEIGHT

NUMBER OF MODULES = 30 MODULES
 MODULE TYPE = HANWHA QCELL Q.PEAK DUO BLK ML-G10+ 400 MODULES
 MODULE WEIGHT = 48.5 LBS / 22.0 KG.
 MODULE DIMENSIONS = 74.00"x 41.1" = 21.12 SF
 UNIT WEIGHT OF ARRAY = 2.30 PSF



ROOF DESCRIPTION				
ROOF TYPE			COMPOSITION SHINGLE	
ROOF	ROOF TILT	AZIMUTH	FRAMING SIZE	FRAMING SPACING
#1	39.87°	52°	SEE STRUCTURAL LETTER	
#2	39.87°	142°		
#3	39.87°	232°		
#4	45°	142°		

ARRAY AREA & ROOF AREA CALC'S				
ROOF	# OF MODULES	ARRAY AREA (Sq. Ft.)	ROOF AREA (Sq. Ft.)	ROOF AREA COVERED BY ARRAY (%)
#1	13	274.56	1258.92	22
#2	11	232.32	360.51	64
#3	03	63.36	243.93	26
#4	03	63.36	242.28	26

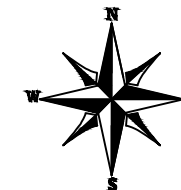
POWERHOME
 POWER HOME SOLAR, LLC
 "POWER YOUR FUTURE"
 919 N. MAIN ST.
 MOORESVILLE, NC 28115
 Phone: 704-800-6591 (OFFICE)
 Email: info@powerhome.com
 Web: www.powerhome.com

REVISIONS		
DESCRIPTION	DATE	REV

Signature with Seal
 DATE: 11/25/2021

PROJECT NAME & ADDRESS
**HOOKER ERIC
 RESIDENCE**
 685 COACHMAN WAY,
 SANFORD, NC 27332

SHEET NAME
ROOF PLAN & MODULES
 SHEET SIZE
**ANSI B
 11" X 17"**
 SHEET NUMBER
PV-2



POWER HOME SOLAR, LLC
 "POWER YOUR FUTURE"
 919 N. MAIN ST.
 MOORESVILLE, NC 28115
 Phone: 704-800-6591 (OFFICE)
 Email: info@powerhome.com
 Web: www.powerhome.com

REVISIONS		
DESCRIPTION	DATE	REV

Signature with Seal

DATE: 11/25/2021

PROJECT NAME & ADDRESS

**HOOKER ERIC
 RESIDENCE**
 685 COACHMAN WAY,
 SANFORD, NC 27332

SHEET NAME
**STRING
 LAYOUT**

SHEET SIZE
**ANSI B
 11" X 17"**

SHEET NUMBER
PV-2A

(N) PV LINK OPTIMIZER - 5
INVERTER 1

(N) PV LINK OPTIMIZER - 1
INVERTER 2

(N) PV LINK OPTIMIZER - 2
INVERTER 1

(N) PV LINK OPTIMIZER - 4
INVERTER 1

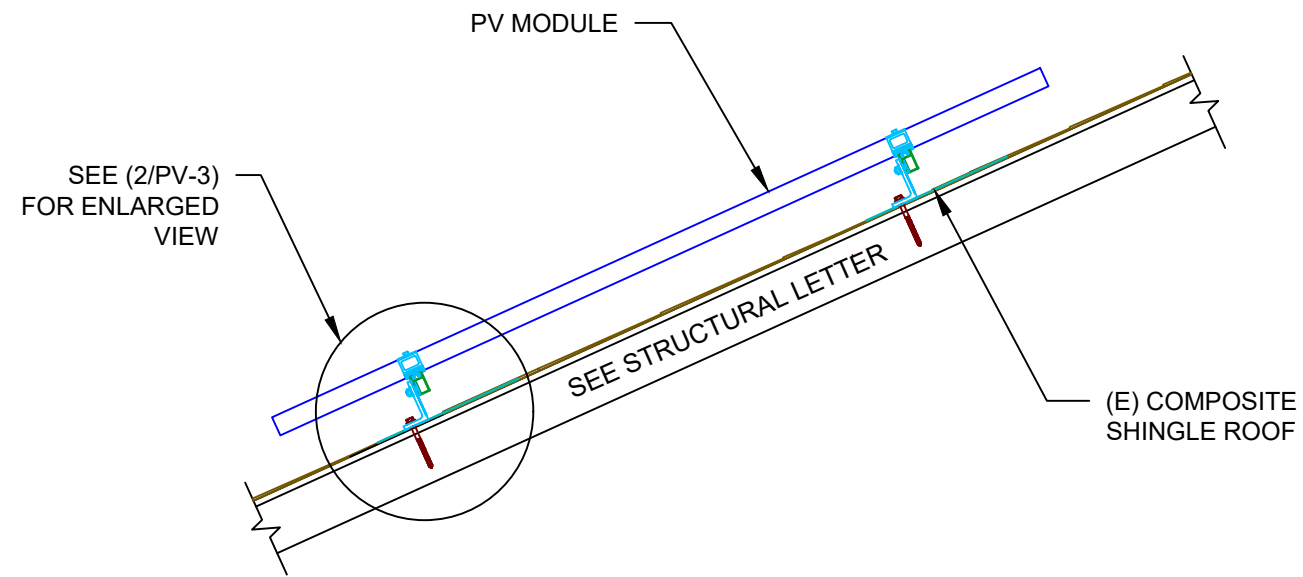
(N) PV LINK OPTIMIZER - 6
INVERTER 1

(N) PV LINK OPTIMIZER - 3
INVERTER 1

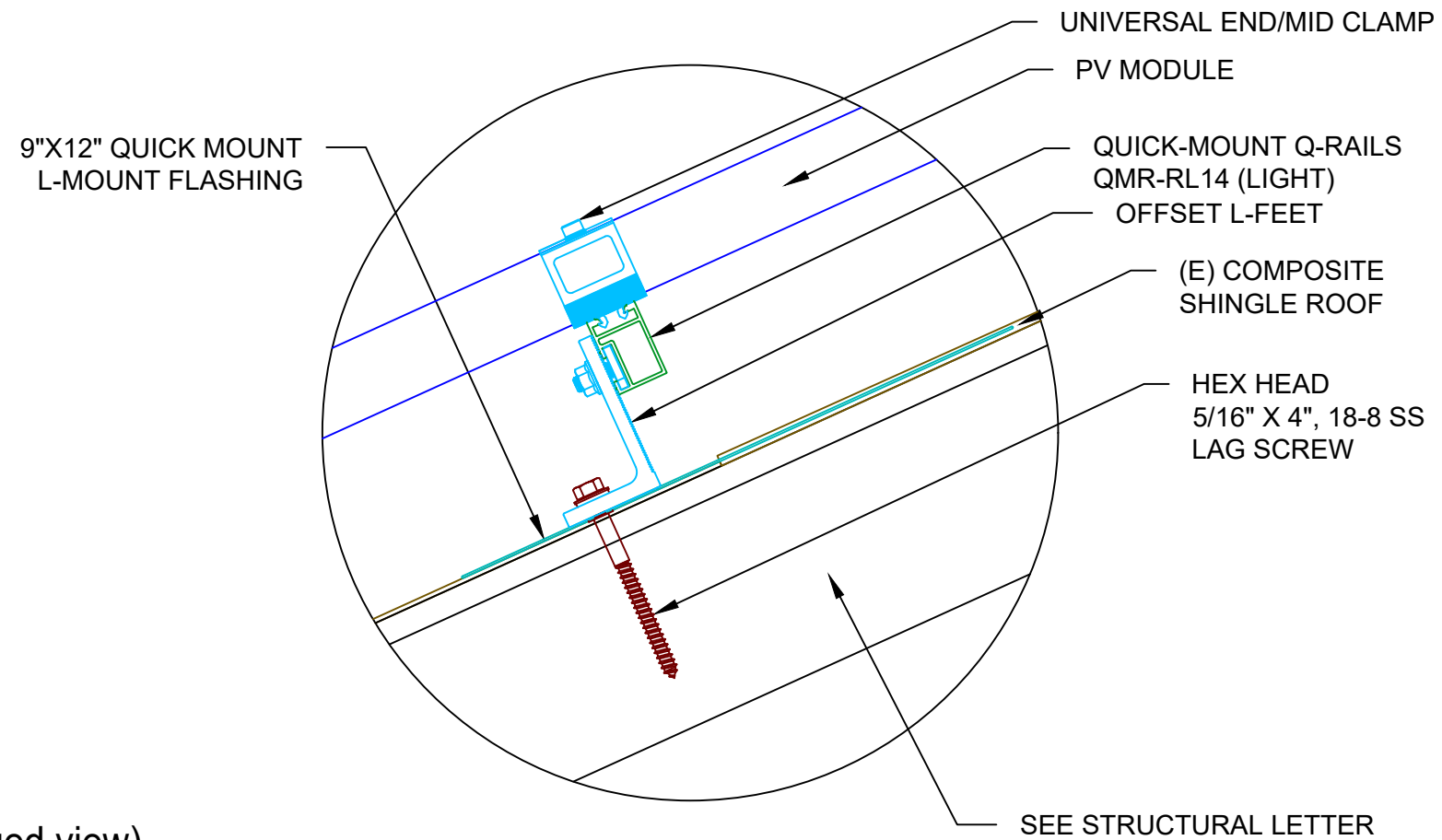
(E) BACK OF RESIDENCE

(E) FRONT OF RESIDENCE
 COACHMAN WAY

BILL OF MATERIALS		
EQUIPMENT	QTY	DESCRIPTION
SOLAR PV MODULE	30	HANWHA QCELL Q.PEAK DUO BLK ML-G10+ 400 MODULES
OPTIMIZER	06	GENERAC PV LINK S2502 POWER OPTIMIZERS
GENERAC SNAP RS	30	GENERAC SNAPRS MODEL RS801
INVERTER	02	GENERAC PWRCELL XVT076A03 INVERTERS
COMBINER BOX	1	100A COMBINER SUBPANEL, 240V
INTERACTIVE SYSTEM AC DISCONNECT	1	100A FUSED, (2) 80A FUSES, 240V, NEMA 3R, UL LISTED
SOLADECK	4	SOLADECKS 600 V, NEMA 3R, UL LISTED
BATTERY	1	GENERAC PWRCELL IR M3 DCB BATTERY
BACKUP PANEL	1	125A, BACKUP PANEL, 240V
RAILS	24	QRAIL LIGHT 14 FT. BLACK
SPLICE KIT	14	QSPLICE INTERNAL LIGHT
WEEB BMC	12	WEEB BMC MILL
MODULE CLAMPS	44	UNIVERSAL MID CLAMP
GROUNDING LUG	9	WEEB LUG W/ T-BOLT
END CLAMPS	36	UNIVERSAL END CLAMPS
ATTACHMENT	80	L-MOUNT ATTACHMENT (QUICKMOUNT)
	12	E-MOUNT ATTACHMENT (QUICKMOUNT)
T-BOLT	96	T-BOLT W/ NUT M8 X 20MM



1 ATTACHMENT DETAIL
 PV-3 SCALE: 1" = 1'-0"



2 ATTACHMENT DETAIL (enlarged view)
 PV-3 SCALE: NTS



REVISIONS		
DESCRIPTION	DATE	REV

Signature with Seal

DATE: 11/25/2021

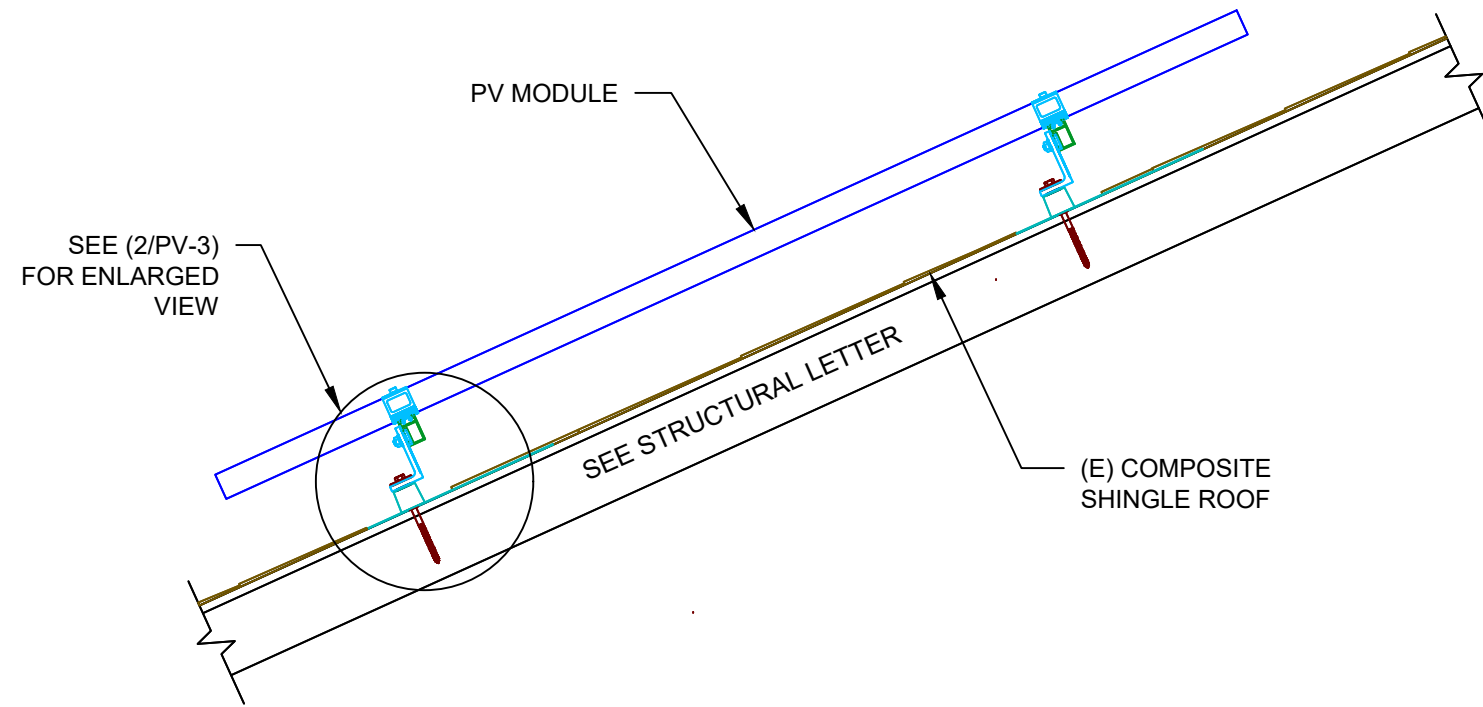
PROJECT NAME & ADDRESS

**HOKKER ERIC
 RESIDENCE**
 685 COACHMAN WAY,
 SANFORD, NC 27332

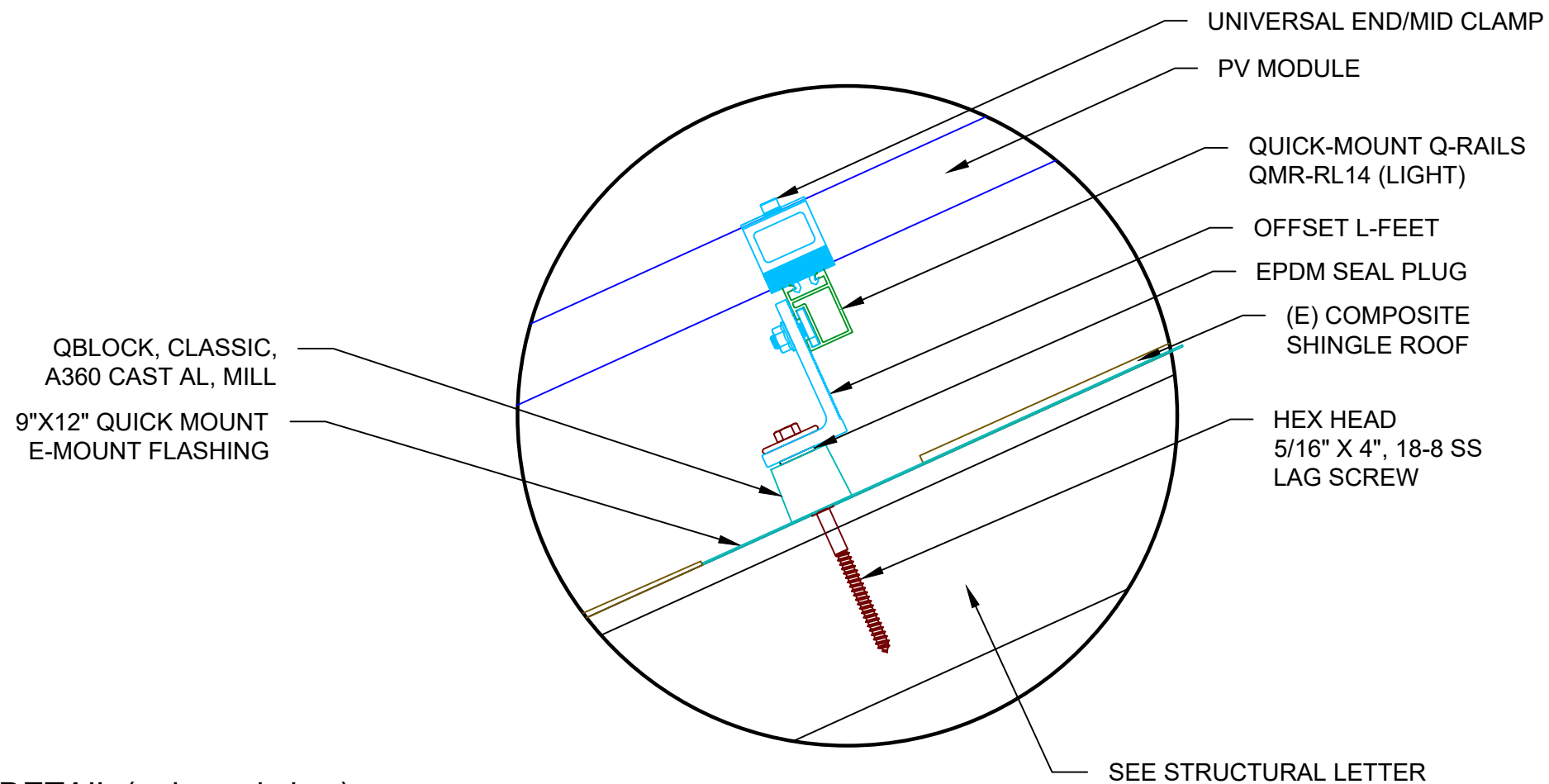
SHEET NAME
**ATTACHMENT
 DETAIL**

SHEET SIZE
**ANSI B
 11" X 17"**

SHEET NUMBER
PV-3



1 ATTACHMENT DETAIL
 PV-3A SCALE: 1" = 1'-0"



2 ATTACHMENT DETAIL (enlarged view)
 PV-3A SCALE: NTS

REVISIONS		
DESCRIPTION	DATE	REV

Signature with Seal
 DATE: 11/25/2021

PROJECT NAME & ADDRESS
**HOKKER ERIC
 RESIDENCE**
 685 COACHMAN WAY,
 SANFORD, NC 27332

SHEET NAME
**ATTACHMENT
 DETAIL**

SHEET SIZE
**ANSI B
 11" X 17"**

SHEET NUMBER
PV-3A

REVISIONS		
DESCRIPTION	DATE	REV

Signature with Seal

DATE: 11/25/2021

PROJECT NAME & ADDRESS

**HOOKE ERIC
 RESIDENCE**
 685 COACHMAN WAY,
 SANFORD, NC 27332

SHEET NAME
**ELECTRICAL LINE
 DIAGRAM**

SHEET SIZE
**ANSI B
 11" X 17"**

SHEET NUMBER
PV-4

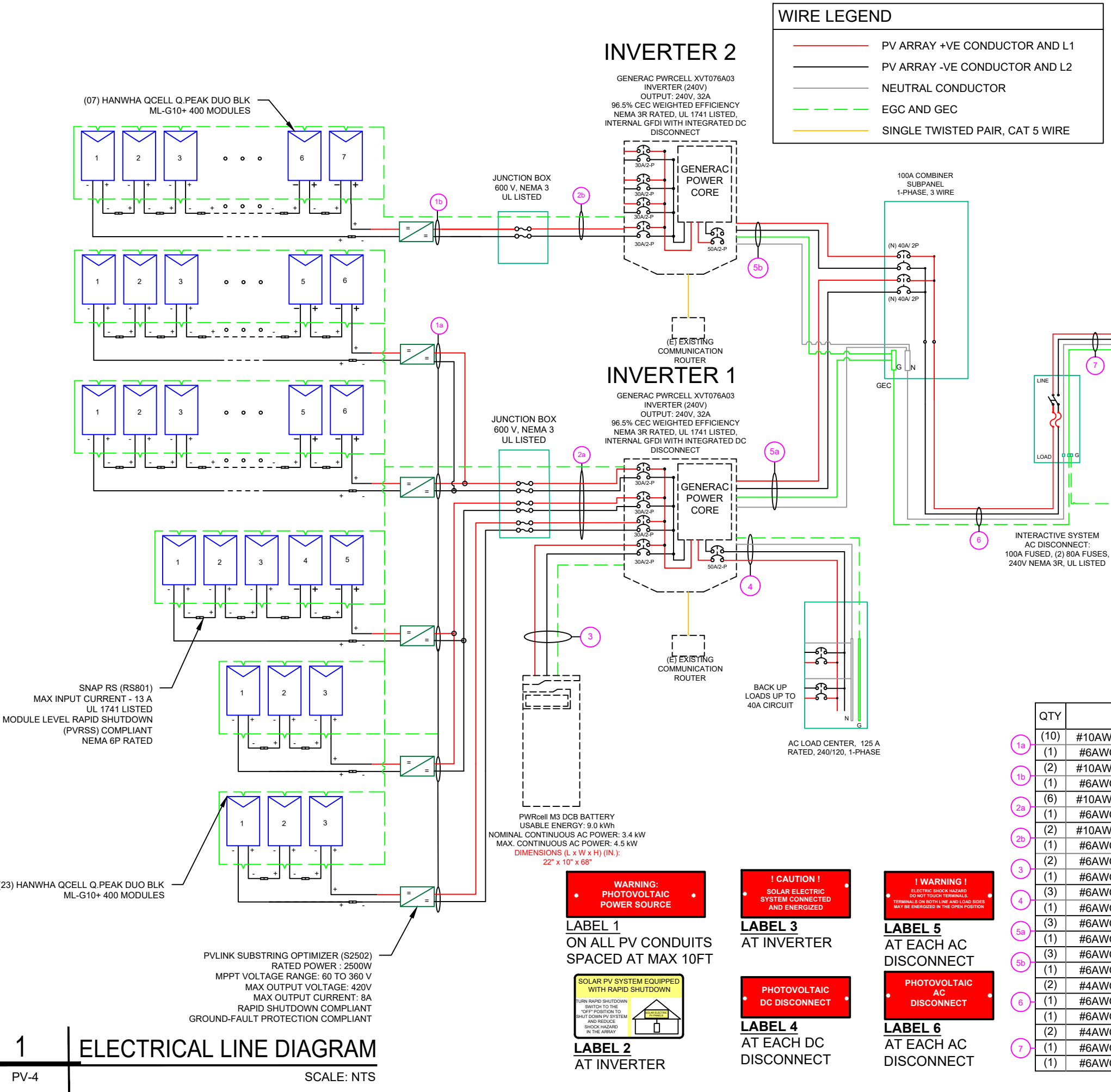
(30) HANWHA QCELL Q.PEAK DUO BLK ML-G10+ 400 MODULES
INVERTER 1- (2) PV LINKS OF 6 MODULES &
 (2) PV LINKS OF 3 MODULES &
 (1) PV LINK OF 5 MODULES CONNECTED IN SERIES
INVERTER 2- (1) PV LINK OF 7 MODULES CONNECTED IN SERIES

SERVICE INFO

UTILITY PROVIDER: CENTRAL ELECTRIC
 MEMBERSHIP CORP.
 MAIN SERVICE VOLTAGE: 240V
 MAIN PANEL BRAND: GE
 MAIN SERVICE PANEL: 200A
 MAIN CIRCUIT BREAKER RATING: 200A
 MAIN SERVICE LOCATION: SOUTH-EAST
 SERVICE FEED SOURCE: UNDERGROUND

WIRE LEGEND

- PV ARRAY +VE CONDUCTOR AND L1
- PV ARRAY -VE CONDUCTOR AND L2
- NEUTRAL CONDUCTOR
- EGC AND GEC
- SINGLE TWISTED PAIR, CAT 5 WIRE



QTY	CONDUCTOR INFORMATION	CONDUIT TYPE	CONDUIT SIZE
(10)	#10AWG - PV WIRE/USE-2	N/A	N/A
(1)	#6AWG - BARE COPPER IN FREE AIR	N/A	N/A
(2)	#10AWG - PV WIRE/USE-2	N/A	N/A
(1)	#6AWG - BARE COPPER IN FREE AIR	N/A	N/A
(6)	#10AWG - THWN-2	EMT OR FLEX IN ATTIC	3/4"
(1)	#6AWG - THWN-2 GND	EMT OR FLEX IN ATTIC	3/4"
(2)	#10AWG - THWN-2	EMT OR FLEX IN ATTIC	3/4"
(1)	#6AWG - THWN-2 GND	EMT OR FLEX IN ATTIC	3/4"
(2)	#6AWG - THWN-2	EMT OR FLEX	3/4"
(1)	#6AWG - THWN-2 GND	EMT OR FLEX	3/4"
(3)	#6AWG - THWN-2	EMT OR FLEX	3/4"
(1)	#6AWG - THWN-2 GND	EMT OR FLEX	3/4"
(3)	#6AWG - THWN-2	EMT OR FLEX	3/4"
(1)	#6AWG - THWN-2 GND	EMT OR FLEX	3/4"
(1)	#6AWG - THWN-2	EMT OR FLEX	3/4"
(3)	#6AWG - THWN-2 GND	EMT OR FLEX	3/4"
(1)	#6AWG - THWN-2 NEUTRAL	EMT OR FLEX	1"
(1)	#6AWG - THWN-2 GND	EMT OR FLEX	1"
(2)	#4AWG - THWN-2	EMT OR FLEX	1"
(1)	#6AWG - THWN-2 NEUTRAL	EMT OR FLEX	1"
(1)	#6AWG - THWN-2 GND	EMT OR FLEX	1"

SOLAR MODULE SPECIFICATIONS	
MANUFACTURER / MODEL #	HANWHA QCELL Q.PEAK DUO BLK ML-G10+400
VMP	37.13V
IMP	10.77A
VOC	45.30V
ISC	11.14A
TEMP. COEFF. VOC	-0.27%/°C
PTC RATING	376.56W
MODULE DIMENSION	74.00"L x 41.1"W x 1.26"D (In Inch)

INVERTER SPECIFICATIONS	
MANUFACTURER / MODEL #	GENERAC PWRCELL XVT076A03
AC POWER OUTPUT (LOADS/GRID)	7600VA
AC POWER OUTPUT (BACKUP)	8000VA
NOMINAL OUTPUT VOLTAGE	240 VAC
MAX OUTPUT CURRENT @240V (LOADS/GRID)	32A
MAX OUTPUT CURRENT @240V (BACKUP)	50A
NOMINAL DC INPUT VOLTAGE	380Vdc
MAX DC INPUT VOLTAGE	420Vdc
CEC WEIGHTED EFFICIENCY	96.5%
MAX DC POWER (PV)	10000W
MAX INPUT CURRENT (PV)	20Adc
CONT. PEAK POWER (BATTERY)	8000W

SERIES SUB STRING OPTIMIZER SPECIFICATIONS	
MANUFACTURER / MODEL #	PV LINK S2502
RATED POWER	2500W
MPPT VOLTAGE RANGE	60-360 Vmp
MAXIMUM INPUT VOLTAGE	420Voc
MAXIMUM OUTPUT	420 Adc
NOMINAL OUTPUT	380 Vdc
MAXIMUM OUTPUT CURRENT	8 A
MAXIMUM SHORT CIRCUIT CURRENT	18 A

BATTERY SPECIFICATIONS	
MANUFACTURER / MODEL #	GENERAC PWRCELL M3 DCB BATTERY
USABLE ENERGY	9.0kWH
NOMINAL CONTINUOUS AC POWER	3.4kW
MAX. CONTINUOUS AC POWER	4.5kW
PEAK MOTOR STARTING CURRENT (2 SEC)	25A
REBUS VOLTAGE: INPUT/ OUTPUT	360-420Vdc
MODULE VOLTAGE	46.8Vdc
ROUND-TRIP EFFICIENCY	96.5%

AMBIENT TEMPERATURE SPECS	
RECORD LOW TEMP	-12°
AMBIENT TEMP (HIGH TEMP 2%)	34°
CONDUIT HEIGHT	0.5"
ROOF TOP TEMP	56°

CALCULATIONS FOR INVERTER 1

DC CONDUCTOR AMPACITY CALCULATIONS: PV LINK OPTIMIZER TO JUNCTION BOX:

EXPECTED WIRE TEMP (In Celsius)	56°
TEMP. CORRECTION PER NEC TABLE 310.15 (B)(2)(a)	0.71
NO. OF CURRENT CARRYING CONDUCTORS	10
CONDUIT FILL CORRECTION PER NEC TABLE 310.15(B)(3)(a)	0.5
CIRCUIT CONDUCTOR SIZE	10 AWG
CIRCUIT CONDUCTOR AMPACITY PER NEC TABLE 310.15(B)(16)	40A

REQUIRED CIRCUIT CONDUCTOR AMPACITY PER NEC 690.8(A&B)	10A
1.25 X I _{max}	
DERATED AMPACITY OF CIRCUIT CONDUCTOR	
TEMP. CORRECTION PER TABLE 310.15 (B)(2)(a) X CONDUIT FILL CORRECTION PER NEC 310.15(B)(3)(a) X CIRCUIT CONDUCTOR AMPACITY 310.15 (B)(16)	14.2A
Result should be greater than (10A) otherwise less the entry for circuit conductor size and ampacity	

FROM JUNCTION BOX TO INVERTER:

EXPECTED WIRE TEMP (In Celsius)	56°
TEMP. CORRECTION PER NEC TABLE 310.15 (B)(2)(a)	0.71
NO. OF CURRENT CARRYING CONDUCTORS	6
CONDUIT FILL CORRECTION PER NEC TABLE 310.15(B)(3)(a)	0.8
CIRCUIT CONDUCTOR SIZE	10 AWG
CIRCUIT CONDUCTOR AMPACITY PER NEC TABLE 310.15(B)(16)	40A

REQUIRED CIRCUIT CONDUCTOR AMPACITY PER NEC 690.8(A&B)	20A
1.25 X I _{max} X # of PV LINKS	
DERATED AMPACITY OF CIRCUIT CONDUCTOR	
TEMP. CORRECTION PER TABLE 310.15 (B)(2)(a) X CONDUIT FILL CORRECTION PER NEC 310.15(B)(3)(a) X CIRCUIT CONDUCTOR AMPACITY 310.15 (B)(16)	22.72A
Result should be greater than (20A) otherwise less the entry for circuit conductor size and ampacity	

AC CONDUCTOR AMPACITY CALCULATIONS: FROM INVERTER - 1 TO COMBINER PANEL:

No. OF INVERTER	1
EXPECTED WIRE TEMP (In Celsius)	34°
TEMP. CORRECTION PER NEC TABLE 310.15(B)(2)(a)	0.96
NO. OF CURRENT CARRYING CONDUCTORS	3
CONDUIT FILL CORRECTION PER NEC TABLE 310.15(B)(3)(a)	1
CIRCUIT CONDUCTOR SIZE	6 AWG
CIRCUIT CONDUCTOR AMPACITY PER NEC TABLE 310.15(B)(16)	75A

REQUIRED CIRCUIT CONDUCTOR AMPACITY PER NEC 690.8(A&B)	40A
1.25 X MAX INVERTER OUTPUT CURRENT (LOADS/ GRID)	
DERATED AMPACITY OF CIRCUIT CONDUCTOR	
TEMP. CORRECTION PER TABLE 310.15 (B)(2)(a) X CONDUIT FILL CORRECTION PER NEC 310.15(B)(3)(a) X CIRCUIT CONDUCTOR AMPACITY 310.15 (B)(16)	72A
Result should be greater than (40A) otherwise less the entry for circuit conductor size and ampacity	

CALCULATIONS FOR INVERTER 2

DC CONDUCTOR AMPACITY CALCULATIONS: PV LINK OPTIMIZER TO JUNCTION BOX:

EXPECTED WIRE TEMP (In Celsius)	56°
TEMP. CORRECTION PER NEC TABLE 310.15 (B)(2)(a)	0.71
NO. OF CURRENT CARRYING CONDUCTORS	2
CONDUIT FILL CORRECTION PER NEC TABLE 310.15(B)(3)(a)	1
CIRCUIT CONDUCTOR SIZE	10 AWG
CIRCUIT CONDUCTOR AMPACITY PER NEC TABLE 310.15(B)(16)	40A

REQUIRED CIRCUIT CONDUCTOR AMPACITY PER NEC 690.8(A&B)	10A
1.25 X I _{max}	
DERATED AMPACITY OF CIRCUIT CONDUCTOR	
TEMP. CORRECTION PER TABLE 310.15 (B)(2)(a) X CONDUIT FILL CORRECTION PER NEC 310.15(B)(3)(a) X CIRCUIT CONDUCTOR AMPACITY 310.15 (B)(16)	28.4A
Result should be greater than (10A) otherwise less the entry for circuit conductor size and ampacity	

FROM JUNCTION BOX TO INVERTER:

EXPECTED WIRE TEMP (In Celsius)	56°
TEMP. CORRECTION PER NEC TABLE 310.15 (B)(2)(a)	0.71
NO. OF CURRENT CARRYING CONDUCTORS	2
CONDUIT FILL CORRECTION PER NEC TABLE 310.15(B)(3)(a)	1
CIRCUIT CONDUCTOR SIZE	10 AWG
CIRCUIT CONDUCTOR AMPACITY PER NEC TABLE 310.15(B)(16)	40A

REQUIRED CIRCUIT CONDUCTOR AMPACITY PER NEC 690.8(A&B)	10A
1.25 X I _{max} X # of PV LINKS	
DERATED AMPACITY OF CIRCUIT CONDUCTOR	
TEMP. CORRECTION PER TABLE 310.15 (B)(2)(a) X CONDUIT FILL CORRECTION PER NEC 310.15(B)(3)(a) X CIRCUIT CONDUCTOR AMPACITY 310.15 (B)(16)	28.4A
Result should be greater than (10A) otherwise less the entry for circuit conductor size and ampacity	

AC CONDUCTOR AMPACITY CALCULATIONS: FROM INVERTER - 2 TO COMBINER PANEL:

No. OF INVERTER	1
EXPECTED WIRE TEMP (In Celsius)	34°
TEMP. CORRECTION PER NEC TABLE 310.15(B)(2)(a)	0.96
NO. OF CURRENT CARRYING CONDUCTORS	3
CONDUIT FILL CORRECTION PER NEC TABLE 310.15(B)(3)(a)	1
CIRCUIT CONDUCTOR SIZE	6 AWG
CIRCUIT CONDUCTOR AMPACITY PER NEC TABLE 310.15(B)(16)	75A

REQUIRED CIRCUIT CONDUCTOR AMPACITY PER NEC 690.8(A&B)	40A
1.25 X MAX INVERTER OUTPUT CURRENT (LOADS/ GRID)	
DERATED AMPACITY OF CIRCUIT CONDUCTOR	
TEMP. CORRECTION PER TABLE 310.15 (B)(2)(a) X CONDUIT FILL CORRECTION PER NEC 310.15(B)(3)(a) X CIRCUIT CONDUCTOR AMPACITY 310.15 (B)(16)	72A
Result should be greater than (40A) otherwise less the entry for circuit conductor size and ampacity	



REVISIONS		
DESCRIPTION	DATE	REV

Signature with Seal

DATE: 11/25/2021

PROJECT NAME & ADDRESS

**HOOKER ERIC
RESIDENCE**
685 COACHMAN WAY,
SANFORD, NC 27332

SHEET NAME
**WIRING
CALCULATIONS**

SHEET SIZE
**ANSI B
11" X 17"**

SHEET NUMBER
PV-5

SOLAR MODULE SPECIFICATIONS	
MANUFACTURER / MODEL #	HANWHA QCELL Q.PEAK DUO BLK ML-G10+400
VMP	37.13V
IMP	10.77A
VOC	45.30V
ISC	11.14A
TEMP. COEFF. VOC	-0.27%/°C
PTC RATING	376.56W
MODULE DIMENSION	74.00"L x 41.1"W x 1.26"D (In Inch)

INVERTER SPECIFICATIONS	
MANUFACTURER / MODEL #	GENERAC PWRCELL XVT076A03
AC POWER OUTPUT (LOADS/GRID)	7600VA
AC POWER OUTPUT (BACKUP)	8000VA
NOMINAL OUTPUT VOLTAGE	240 VAC
MAX OUTPUT CURRENT @240V (LOADS/GRID)	32A
MAX OUTPUT CURRENT @240V (BACKUP)	50A
NOMINAL DC INPUT VOLTAGE	380Vdc
MAX DC INPUT VOLTAGE	420Vdc
CEC WEIGHTED EFFICIENCY	96.5%
MAX DC POWER (PV)	10000W
MAX INPUT CURRENT (PV)	20Adc
CONT. PEAK POWER (BATTERY)	8000W

SERIES SUB STRING OPTIMIZER SPECIFICATIONS	
MANUFACTURER / MODEL #	PV LINK S2502
RATED POWER	2500W
MPPT VOLTAGE RANGE	60-360 Vmp
MAXIMUM INPUT VOLTAGE	420Voc
MAXIMUM OUTPUT	420 Adc
NOMINAL OUTPUT	380 Vdc
MAXIMUM OUTPUT CURRENT	8 A
MAXIMUM SHORT CIRCUIT CURRENT	18 A

AMBIENT TEMPERATURE SPECS	
RECORD LOW TEMP	-12°
AMBIENT TEMP (HIGH TEMP 2%)	34°
CONDUIT HEIGHT	0.5"
ROOF TOP TEMP	56°

FROM BATTERY TO INVERTER - 1:

EXPECTED WIRE TEMP (In Celsius)	34°
TEMP. CORRECTION PER NEC TABLE 310.15 (B)(2)(a)	0.96
NO. OF CURRENT CARRYING CONDUCTORS	2
CONDUIT FILL CORRECTION PER NEC TABLE 310.15(B)(3)(a)	1
CIRCUIT CONDUCTOR SIZE	10 AWG
CIRCUIT CONDUCTOR AMPACITY PER NEC TABLE 310.15(B)(16)	40A

REQUIRED CIRCUIT CONDUCTOR AMPACITY PER NEC 690.8(A&B)	31.25A
1.25 X I _{max} (=25A)	
DERATED AMPACITY OF CIRCUIT CONDUCTOR	
TEMP. CORRECTION PER TABLE 310.15 (B)(2)(a) X CONDUIT FILL CORRECTION PER NEC 310.15(B)(3)(a) X CIRCUIT CONDUCTOR AMPACITY 310.15 (B)(16)	38.40A
Result should be greater than (31.25A) otherwise less the entry for circuit conductor size and ampacity	

AC CONDUCTOR AMPACITY CALCULATIONS:
FROM INVERTER - 1 TO BACK-UP PANEL:

No. OF INVERTER	1
EXPECTED WIRE TEMP (In Celsius)	34°
TEMP. CORRECTION PER NEC TABLE 310.15(B)(2)(a)	0.96
NO. OF CURRENT CARRYING CONDUCTORS	3
CONDUIT FILL CORRECTION PER NEC TABLE 310.15(B)(3)(a)	1
CIRCUIT CONDUCTOR SIZE	6 AWG
CIRCUIT CONDUCTOR AMPACITY PER NEC TABLE 310.15(B)(16)	75 A

REQUIRED CIRCUIT CONDUCTOR AMPACITY PER NEC 690.8(A&B)	40 A
1.25 X INVERTER OUTPUT CURRENT (BACKUP POWER)	
DERATED AMPACITY OF CIRCUIT CONDUCTOR	
TEMP. CORRECTION PER TABLE 310.15 (B)(2)(a) X CONDUIT FILL CORRECTION PER NEC 310.15(B)(3)(a) X CIRCUIT CONDUCTOR AMPACITY 310.15 (B)(16)	72A
Result should be greater than (40A) otherwise less the entry for circuit conductor size and ampacity	

AC CONDUCTOR AMPACITY CALCULATIONS:
FROM COMBINER TO POI:

No. OF INVERTER	2
EXPECTED WIRE TEMP (In Celsius)	34°
TEMP. CORRECTION PER NEC TABLE 310.15(B)(2)(a)	0.96
NO. OF CURRENT CARRYING CONDUCTORS	3
CONDUIT FILL CORRECTION PER NEC TABLE 310.15(B)(3)(a)	1
CIRCUIT CONDUCTOR SIZE	4 AWG
CIRCUIT CONDUCTOR AMPACITY PER NEC TABLE 310.15(B)(16)	95A

REQUIRED CIRCUIT CONDUCTOR AMPACITY PER NEC 690.8(A&B)	80A
1.25 X MAX INVERTER OUTPUT CURRENT (LOADS/GRID)	
DERATED AMPACITY OF CIRCUIT CONDUCTOR	
TEMP. CORRECTION PER TABLE 310.15 (B)(2)(a) X CONDUIT FILL CORRECTION PER NEC 310.15(B)(3)(a) X CIRCUIT CONDUCTOR AMPACITY 310.15 (B)(16)	91.2A
Result should be greater than (80A) otherwise less the entry for circuit conductor size and ampacity	



REVISIONS		
DESCRIPTION	DATE	REV

Signature with Seal

DATE: 11/25/2021

PROJECT NAME & ADDRESS

**HOOKER ERIC
RESIDENCE**
685 COACHMAN WAY,
SANFORD, NC 27332

SHEET NAME
**WIRING
CALCULATIONS**

SHEET SIZE
**ANSI B
11" X 17"**

SHEET NUMBER
PV-5A

ELECTRICAL NOTES

- 1.) ALL EQUIPMENT TO BE LISTED BY UL OR OTHER NRTL, AND LABELED FOR ITS APPLICATION.
- 2.) ALL CONDUCTORS SHALL BE COPPER, RATED FOR 600 V AND 90 DEGREE C WET ENVIRONMENT.
- 3.) WIRING, CONDUIT, AND RACEWAYS MOUNTED ON ROOFTOPS SHALL BE ROUTED DIRECTLY TO, AND LOCATED AS CLOSE AS POSSIBLE TO THE NEAREST RIDGE, HIP, OR VALLEY.
- 4.) WORKING CLEARANCES AROUND ALL NEW AND EXISTING ELECTRICAL EQUIPMENT SHALL COMPLY WITH NEC 110.26.
- 5.) DRAWINGS INDICATE THE GENERAL ARRANGEMENT OF SYSTEMS. CONTRACTOR SHALL FURNISH ALL NECESSARY OUTLETS, SUPPORTS, FITTINGS AND ACCESSORIES TO FULFILL APPLICABLE CODES AND STANDARDS.
- 6.) WHERE SIZES OF JUNCTION BOXES, RACEWAYS, AND CONDUITS ARE NOT SPECIFIED, THE CONTRACTOR SHALL SIZE THEM ACCORDINGLY.
- 7.) ALL WIRE TERMINATIONS SHALL BE APPROPRIATELY LABELED AND READILY VISIBLE.
- 8.) MODULE GROUNDING CLIPS TO BE INSTALLED BETWEEN MODULE FRAME AND MODULE SUPPORT RAIL, PER THE GROUNDING CLIP MANUFACTURER'S INSTRUCTION.
- 9.) MODULE SUPPORT RAIL TO BE BONDED TO CONTINUOUS COPPER G.E.C. VIA WEEB LUG OR ILSCO GBL-4DBT LAY-IN LUG.
- 10.) THE POLARITY OF THE GROUNDED CONDUCTORS IS NEGATIVE

powered by
Q.ANTUM DUO Z

Q.PEAK DUO BLK ML-G10+

385-405

ENDURING HIGH PERFORMANCE



BREAKING THE 20% EFFICIENCY BARRIER

Q.ANTUM DUO Z Technology with zero gap cell layout boosts module efficiency up to 20.9%.



THE MOST THOROUGH TESTING PROGRAMME IN THE INDUSTRY

Q CELLS is the first solar module manufacturer to pass the most comprehensive quality programme in the industry. The new "Quality Controlled PV" of the independent certification institute TÜV Rheinland.



INNOVATIVE ALL-WEATHER TECHNOLOGY

Optimal yields, whatever the weather with excellent low-light and temperature behavior.



ENDURING HIGH PERFORMANCE

Long-term yield security with Anti LID Technology, Anti PID Technology¹, Hot-Spot Protect and Traceable Quality Tra.Q™.



EXTREME WEATHER RATING

High-tech aluminum alloy frame, certified for high snow (5400 Pa) and wind loads (4000 Pa).



A RELIABLE INVESTMENT

Inclusive 25-year product warranty and 25-year linear performance warranty².

¹ APT test conditions according to IEC / TS 62804-1:2015, method A (-1500V, 96h)
² See data sheet on rear for further information.

THE IDEAL SOLUTION FOR:



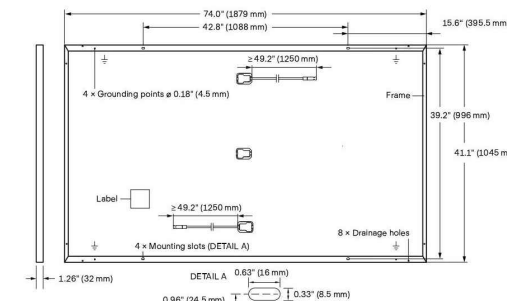
Rooftop arrays on residential buildings

Engineered in Germany



MECHANICAL SPECIFICATION

Format	74.0 in × 41.1 in × 1.26 in (including frame) (1879 mm × 1045 mm × 32 mm)
Weight	48.5 lbs (22.0 kg)
Front Cover	0.13 in (3.2 mm) thermally pre-stressed glass with anti-reflection technology
Back Cover	Composite film
Frame	Black anodized aluminum
Cell	6 × 22 monocrystalline Q.ANTUM solar half cells
Junction Box	2.09-3.98 in × 1.26-2.36 in × 0.59-0.71 in (53-101 mm × 32-60 mm × 15-18 mm), IP67, with bypass diodes
Cable	4 mm ² Solar cable; (+) ≥ 49.2 in (1250 mm), (-) ≥ 49.2 in (1250 mm)
Connector	Stäubli MC4; IP68

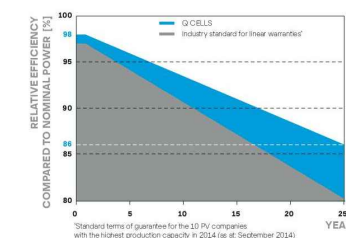


ELECTRICAL CHARACTERISTICS

POWER CLASS		385	390	395	400	405
MINIMUM PERFORMANCE AT STANDARD TEST CONDITIONS, STC ¹ (POWER TOLERANCE +5 W / -0 W)						
Power at MPP ¹	P _{MPP} [W]	385	390	395	400	405
Short Circuit Current ¹	I _{SC} [A]	11.04	11.07	11.10	11.14	11.17
Open Circuit Voltage ¹	V _{OC} [V]	45.19	45.23	45.27	45.30	45.34
Current at MPP	I _{MPP} [A]	10.59	10.65	10.71	10.77	10.83
Voltage at MPP	V _{MPP} [V]	36.36	36.62	36.88	37.13	37.39
Efficiency ¹	η [%]	≥ 19.6	≥ 19.9	≥ 20.1	≥ 20.4	≥ 20.6
MINIMUM PERFORMANCE AT NORMAL OPERATING CONDITIONS, NMOT ²						
Power at MPP	P _{MPP} [W]	288.8	292.6	296.3	300.1	303.8
Short Circuit Current	I _{SC} [A]	8.90	8.92	8.95	8.97	9.00
Open Circuit Voltage	V _{OC} [V]	42.62	42.65	42.69	42.72	42.76
Current at MPP	I _{MPP} [A]	8.35	8.41	8.46	8.51	8.57
Voltage at MPP	V _{MPP} [V]	34.59	34.81	35.03	35.25	35.46

¹ Measurement tolerances P_{MPP} ± 3%; I_{SC}; V_{OC} ± 5% at STC: 1000 W/m², 25 ± 2°C, AM 1.5 according to IEC 60904-3 • 2800 W/m², NMOT, spectrum AM 1.5

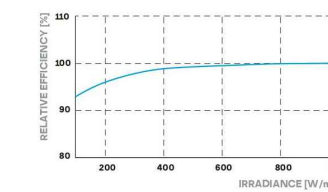
Q CELLS PERFORMANCE WARRANTY



At least 98% of nominal power during first year. Thereafter max. 0.5% degradation per year. At least 93.5% of nominal power up to 10 years. At least 86% of nominal power up to 25 years.

All data within measurement tolerances. Full warranties in accordance with the warranty terms of the Q CELLS sales organisation of your respective country.

PERFORMANCE AT LOW IRRADIANCE



Typical module performance under low irradiance conditions in comparison to STC conditions (25°C, 1000 W/m²)

TEMPERATURE COEFFICIENTS

Temperature Coefficient of I _{SC}	α [%/K]	+0.04	Temperature Coefficient of V _{OC}	β [%/K]	-0.27
Temperature Coefficient of P _{MPP}	γ [%/K]	-0.34	Nominal Module Operating Temperature	NMOT [°F]	109 ± 5.4 (43 ± 3 °C)

PROPERTIES FOR SYSTEM DESIGN

Maximum System Voltage V _{sys} [V]	1000 (IEC) / 1000 (UL)	PV module classification	Class II
Maximum Series Fuse Rating [A DC]	20	Fire Rating based on ANSI / UL 61730	TYPE 2
Max. Design Load, Push / Pull ³ [lbs/ft ²]	75 (3600 Pa) / 55 (2660 Pa)	Permitted Module Temperature on Continuous Duty	-40 °F up to +185 °F (-40 °C up to +85 °C)
Max. Test Load, Push / Pull ³ [lbs/ft ²]	113 (5400 Pa) / 84 (4000 Pa)		

³ See Installation Manual

QUALIFICATIONS AND CERTIFICATES

UL 61730, CE-compliant, Quality Controlled PV - TÜV Rheinland, IEC 61215:2016, IEC 61730:2016, U.S. Patent No. 9,893,215 (solar cells), QCPV Certification ongoing.



PACKAGING INFORMATION

Horizontal packaging	76.4 in 1940 mm	43.3 in 1100 mm	48.0 in 1220 mm	1656 lbs 751 kg	24 pallets	24 pallets	32 modules
----------------------	--------------------	--------------------	--------------------	--------------------	------------	------------	------------

Note: Installation instructions must be followed. See the installation and operating manual or contact our technical service department for further information on approved installation and use of this product.

Hanwha Q CELLS America Inc.

400 Spectrum Center Drive, Suite 1400, Irvine, CA 92618, USA | TEL +1 949 748 59 96 | EMAIL inquiry@us.q-cells.com | WEB www.q-cells.us



POWER HOME SOLAR, LLC
"POWER YOUR FUTURE"
919 N. MAIN ST.
MOORESVILLE, NC 28115
Phone: 704-800-6591 (OFFICE)
Email: info@powerhome.com
Web: www.powerhome.com

REVISIONS

DESCRIPTION	DATE	REV

Signature with Seal

DATE: 11/25/2021

PROJECT NAME & ADDRESS

HOOKER ERIC
RESIDENCE
685 COACHMAN WAY,
SANFORD, NC 27332

SHEET NAME
EQUIPMENT
SPECIFICATION

SHEET SIZE

ANSI B
11" X 17"

SHEET NUMBER

PV-6

Specifications subject to technical changes © Q CELLS Q.PEAK DUO BLK ML-G10+ 385-405 2021-05 Rev01_NA

GENERAC

PWRCELL

7.6kW 1Ø PWRcell Inverter with CTs
Model #: XVT076A03

11.4 kW 3Ø PWRcell Inverter with CTs
Model #: X11402 (Ordering SKU: APKE00013)



Solar + storage is simple with the Generac PWRcell™ Inverter. This bi-directional, REbus™-powered inverter offers a simple, efficient design for integrating smart batteries with solar. Ideal for self-supply, backup power, zero-export and energy cost management, the PWRcell Inverter is the industry's most feature-rich line of inverters, available in single-phase and three-phase models.

FEATURES & BENEFITS

- Single inverter for grid-tied solar with smart battery integration
- Simplified system design: No autotransformer or battery inverter needed
- User-selectable modes for backup power, self-supply, time-of-use, zero-import and export limiting
- Free system monitoring included via PWRview™ Web Portal and Mobile App

AC OUTPUT/GRID-TIE	MODEL XVT076A03	MODEL X11402
CONT. GRID-TIED AC POWER @ 50°C (122°F):	7600 W	11400 W
AC OUTPUT VOLTAGE:	120/240, 1Ø VAC	120/208, 3Ø VAC
AC FREQUENCY:	60 Hz	
MAXIMUM CONTINUOUS OUTPUT CURRENT:	32 A, RMS	
GROUND-FAULT ISOLATION DETECTION:	Included	
CHARGE BATTERY FROM AC:	Yes	
THD (CURRENT):	< 2%	
TYPICAL NIGHTTIME POWER CONSUMPTION ¹ :	< 7 W	

AC OUTPUT/ISLAND MODE	MODEL XVT076A03	MODEL X11402
MAX. CONT. AC POWER WHILE IN ISLAND MODE WITHOUT AN EXTERNAL TRANSFER SWITCH ² :	7600 W	
MAX. CONT. AC POWER WHILE IN ISLAND MODE W/ EXTERNAL TRANSFER SWITCH AND SINGLE 6 MODULE BATTERY CABINET ³ :	9000 W	
MAX. CONT. AC POWER WHILE IN ISLAND MODE W/ EXTERNAL TRANSFER SWITCH AND 2 BATTERY CABINETS (8 MODULES MINIMUM) ³ :	11000 W	9600 W-11000 W*
PEAK MOTOR STARTING CURRENT (2 SEC):	50 A, RMS	
AC BACKUP OUTPUT VOLTAGE:	120/240, 1Ø VAC	120/208, 1Ø VAC
AC FREQUENCY:	60 Hz	
THD (VOLTAGE):	< 2%	
ALLOWABLE SPLIT PHASE IMBALANCE:	Up to 30%	

DC INPUT	MODEL XVT076A03	MODEL X11402
DC INPUT VOLTAGE RANGE:	360-420 VDC	
NOMINAL DC BUS VOLTAGE:	380 VDC	
DC DISTRIBUTION INPUT BREAKERS:	4 x 2P30 A	
MAX INPUT CURRENT PER DC INPUT:	30 A	
REVERSE-POLARITY PROTECTION:	Yes	
TRANSFORMERLESS, UNGROUNDED:	Yes	
DC BUS EXPORT FUSES (+/-):	40 A	
2-POLE DISCONNECTION:	Yes	

EFFICIENCY	MODEL XVT076A03	MODEL X11402
PEAK EFFICIENCY:	97.3%	97.7%
CEC WEIGHTED EFFICIENCY:	96.5%	97.5%

¹Nighttime power consumption depends on the system mode
²In Island Mode, continuous power output is restricted to 7.6kW unless backup power is routed through an external transfer switch in a whole home backup application.
³Peak performance, values provided for 40°C (104°F).
 *In Island mode X11402 protected loads only supply 2 phases 120 VAC L-N, 208 L-L which results in lower power than in a grid tied 3 phase state. The low value of the range is for full L-L loading while high value of the range is full L-N loading

Specifications

FEATURES AND MODES

ISLAND MODE ⁴ :	Yes
GRID SELL:	Yes
SELF CONSUMPTION:	Yes
PRIORITIZED CHARGING FROM RENEWABLES:	Yes
GRID SUPPORT - ZERO EXPORT:	Yes
ESS PCS OPERATION MODES (IMPORT ONLY, EXPORT ONLY):	Yes

ADDITIONAL FEATURES

SUPPORTED COMMUNICATION INTERFACES:	REbus™, CANbus, Ethernet
SYSTEM MONITORING:	PWRview™ Web Portal and Mobile App
BACKUP LOADS DISCONNECT ⁵ :	Yes, 50 A Circuit Breaker
INVERTER BYPASS SWITCH:	Automatic
WARRANTY:	10 Years

STANDARDS COMPLIANCE

SAFETY:	UL 1741 SA, CSA 22.2 #107.1, UL 1998
GRID CONNECTION STANDARDS:	IEEE 1547, Rule 21, Rule 14H (HECO V1.1), CSIP, UL 1741 PCS CRD (Import Only, Export Only)
EMISSIONS:	FCC Part 15 Class B

DIMENSIONS AND INSTALLATION SPECIFICATIONS

ENCLOSURE KNOCKOUTS - QTY, SIZE - IN (MM):	6 x Combo 3/4" x 1" (19 x 25.4) 7 x Combo 1/2" x 3/4" (12.7 x 19)	1 x 0.575" exclusively for optional LTE antenna mounting
DIMENSIONS L x W x H - IN (MM):	24.5" x 19.25" x 8" (622.3 x 488.9 x 203.2)	
WEIGHT - LB (KG):	62.7 (28.4)	
COOLING:	Forced convection	
AUDIBLE NOISE:	< 40 dBA	
OPERATING TEMPERATURE:	-4 to 122 °F (-20 to 50 °C) ⁶	
ENCLOSURE TYPE:	Type 3R	

INSTALLATION GUIDELINES

BATTERY TYPES SUPPORTED:	PWRcell™ Battery
MODULE SUBSTRING SIZE PER PV LINK OPTIMIZER:	Varies, refer to PV Link Installation Manual
MAXIMUM RECOMMENDED DC POWER FROM PV ⁶ :	10 kW (1Ø), 15 kW (3Ø)

⁴3Ø inverters offer backup for [single phase] 208 V loads.
⁵Includes ambient temperature rising from inverter operation. Reduced power at extreme temperatures.
⁶Values provided for PV-only or small storage systems. Additional PV power is permissible if sufficient battery storage capacity is installed.

Generac Power Systems, Inc.
 S45 W29290 Hwy. 59, Waukesha, WI 53189
www.Generac.com | 888-GENERAC (436-3722)
 A0000909057 REV D

©2021 Generac Power Systems. All rights reserved.
 Specifications are subject to change without notice.



POWER HOME SOLAR, LLC
 "POWER YOUR FUTURE"
 919 N. MAIN ST.
 MOORESVILLE, NC 28115
 Phone: 704-800-6591 (OFFICE)
 Email: info@powerhome.com
 Web: www.powerhome.com

REVISIONS

DESCRIPTION	DATE	REV

Signature with Seal

DATE: 11/25/2021

PROJECT NAME & ADDRESS

HOOKER ERIC
 RESIDENCE
 685 COACHMAN WAY,
 SANFORD, NC 27332

SHEET NAME
**EQUIPMENT
 SPECIFICATION**

SHEET SIZE

**ANSI B
 11" X 17"**

SHEET NUMBER

PV-7

GENERAC

SnapRS™

Inline Disconnect Switch
Model #: RS801 (Ordering SKU: APKE00011)



Generac SnapRS are a simple way to satisfy rapid shutdown compliance for solar + storage systems. Generac SnapRS are 2017/2020 NEC 690.12 compliant, don't require any extra hardware to mount, and need no pairing or fussy digital communications.

FEATURES & BENEFITS

- Fast, easy, and simple to install
- One SnapRS device per PV module
- Achieves PVRSS Compliance
- Low cost, high efficiency solution

SYSTEM DESIGN

Snap a Generac SnapRS disconnect device (RS) to the negative lead (-) of each module in the solar array for simple module-level rapid shutdown compliance. SnapRS devices isolate array voltage when a rapid shutdown is initiated at a PWRcell™ Inverter. When rapid shutdown is initiated, SnapRS units isolate each PV module in the array, reducing array voltage to <80V in seconds.

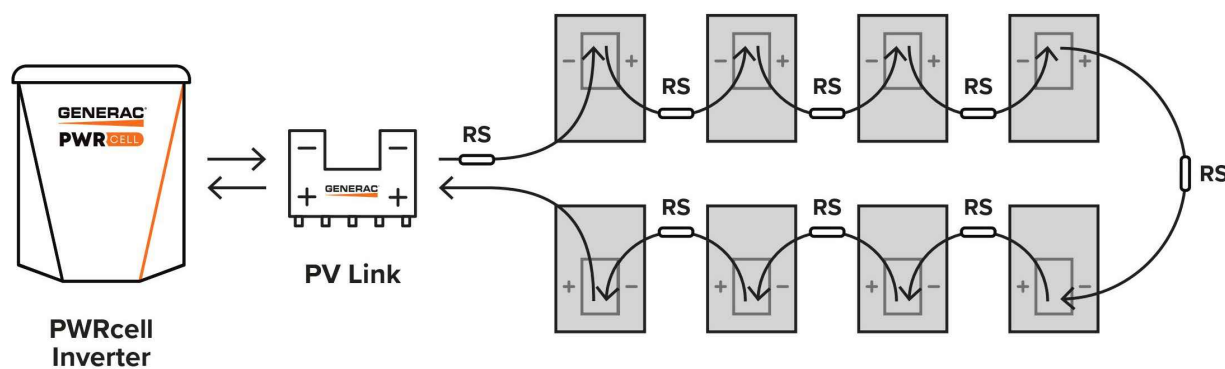


Diagram is applicable for most 60 cell PV modules. Modules with higher cell count may require a different arrangement. Contact Generac for more details.

Specifications

SnapRS™ (APKE00011)

PV MODULE MAX VOC:	75 V
EFFICIENCY:	99.8%*
MAX INPUT CURRENT:	13 A
MAX TOTAL QTY IN SUBSTRING:	10
SHUTDOWN TIME:	< 10 Seconds
ENCLOSURE RATING:	NEMA 6P
OPERATING TEMPERATURE - FAHRENHEIT (CELSIUS):	-40 to 158 °F (-40 to 70 °C)
CERTIFICATIONS:	UL1741
PROTECTIONS:	PVRSE
WEIGHT - LB (KG):	0.17 (0.08)
DIMENSIONS, L x W x H - IN (MM):	7" x 1" x 1" (177.8 x 25.4 x 25.4)
WARRANTY:	25 Years

*When used with a 50V panel

Connect one SnapRS device to the negative lead of each PV module in the PV Link controlled array for complete PV Rapid shutdown performance



Generac Power Systems, Inc.
S45 W29290 Hwy. 59, Waukesha, WI 53189
www.Generac.com | 888-GENERAC (436-3722)
A0000528183 REV D

©2020 Generac Power Systems. All rights reserved.
Specifications are subject to change without notice.

GENERAC



POWER HOME SOLAR, LLC
"POWER YOUR FUTURE"
919 N. MAIN ST.
MOORESVILLE, NC 28115
Phone: 704-800-6591 (OFFICE)
Email: info@powerhome.com
Web: www.powerhome.com

REVISIONS

DESCRIPTION	DATE	REV

Signature with Seal

DATE: 11/25/2021

PROJECT NAME & ADDRESS

HOOKER ERIC
RESIDENCE
685 COACHMAN WAY,
SANFORD, NC 27332

SHEET NAME
EQUIPMENT
SPECIFICATION

SHEET SIZE

ANSI B
11" X 17"

SHEET NUMBER

PV-8

GENERAC

PWRCELL

3.0kWh DCB BATTERY MODULE

3.0kWh PWRcell DCB Battery Module
Model #: BJ-DCB052KBG (Ordering SKU: G0080040)



Build a better backup system with the Generac DCB Battery Module for PWRcell™. Add capacity and backup power with as few as three or as many as six modules. Upgrade a PWRcell Battery post-installation with the addition of more DCB modules for more power and capacity.

FEATURES & BENEFITS

- Suitable for indoor and outdoor cabinets
- Modular: Stack the right number of battery modules for the application
- Upgradeable: Add more modules later when consumer needs change
- Easy to install: At just 55lbs, installers won't need special equipment to move and install these batteries

SPECIFICATIONS

NOMINAL VOLTAGE:	46.8 VDC
USABLE CAPACITY @ TYPICAL VOLTAGE:	3.00 kWh
MAXIMUM AMBIENT OPERATING TEMPERATURE:	14 to 122 °F (-10 to 50 °C)
OPTIMAL AMBIENT OPERATING TEMPERATURE:	41 to 104 °F (5 to 40 °C)
STORAGE TEMPERATURE RANGE:	68 °F (20 °C)
SCALABILITY:	3-6 pcs in series
DIMENSIONS, L x W x H - IN (MM):	17.3" x 17.7" x 3.3" (440 x 450 x 84)
WEIGHT - LB (KG):	55 (25)
BATTERY CHEMISTRY:	Lithium Nickel Manganese Cobalt (NMC)
WARRANTY:	10 years or 7.56MWh Throughput (per module)

Note: Charge/discharge rate may be reduced at temperature extremes

Generac Power Systems, Inc.
S45 W29290 Hwy. 59, Waukesha, WI 53189

www.Generac.com | 888-GENERAC (436-3722)

A0000953959 REV D

©2021 Generac Power Systems. All rights reserved.
Specifications are subject to change without notice.

GENERAC

Overview of technical specifications

PWRcell™ BATTERY CONFIGURATIONS

BATTERY MODULE SERIES:	3.0 kWh DCB / 3.0 kWh EX			
BATTERY MODULES:	3	4	5	6
USABLE ENERGY:	9 kWh	12 kWh	15 kWh	18 kWh
NOMINAL CONT. AC POWER ¹ :	3.4 kW	4.5 kW	5.6 kW	6.7 kW
MAX. CONT. AC POWER ² :	4.5 kW	6 kW	7.5 kW	9 kW
MAX. CONT. DC CURRENT (CHARGE/DISCHARGE) - A:	13.8	18.4	23.0	27.5
PEAK MOTOR STARTING CURRENT (2 SEC) - A, RMS:	25	33	42	50
REbus™ VOLTAGE - INPUT/OUTPUT:	360-420 VDC			
NOMINAL VOLTAGE:	380 VDC			
DC-DC ROUND-TRIP EFFICIENCY:	96.5%			
MAXIMUM AMBIENT OPERATING TEMPERATURE:	14 to 122 °F (-10 to 50 °C)			
RECOMMENDED AMBIENT OPERATING TEMPERATURE:	41 to 104 °F (5 to 40 °C)			
MAXIMUM INSTALLATION ALTITUDE - FT (M):	9834 (3000)			
DIMENSIONS, L x W x H - IN (MM):	22" X 10" X 68" (559 X 254 X 1727)			
WEIGHT, ENCLOSURE - LB (KG):	111 (50)			
WEIGHT, INSTALLED W/ DCB MODULES- LB (KG):	276 (125)	331 (150)	386 (175)	441 (200)
WEIGHT, INSTALLED W/ EX MODULES - LB (KG):	282 (128)	340 (154)	397 (180)	454 (206)
ENCLOSURE TYPE:	Type 1			
WARRANTY - LI-ION MODULES:	10 Years, (7.56MWh)			
WARRANTY - ELECTRONICS AND ENCLOSURE:	10 Years			
COMMUNICATION PROTOCOL:	REbus™ DC Nanogrid™			
SEISMIC RATING:	IEEE 693-2018 (HIGH)			
COMPLIANCE:	UL 9540, UL 1973, UL 1642, CSA 22.2 #107.1			



POWER HOME SOLAR, LLC
"POWER YOUR FUTURE"
919 N. MAIN ST.
MOORESVILLE, NC 28115
Phone: 704-800-6591 (OFFICE)
Email: info@powerhome.com
Web: www.powerhome.com

REVISIONS

DESCRIPTION	DATE	REV

Signature with Seal

DATE: 11/25/2021

PROJECT NAME & ADDRESS

HOOKER ERIC
RESIDENCE
685 COACHMAN WAY,
SANFORD, NC 27332

SHEET NAME
EQUIPMENT
SPECIFICATION

SHEET SIZE

ANSI B
11" X 17"

SHEET NUMBER

PV-9

GENERAC® PWRCELL OUTDOOR RATED BATTERY

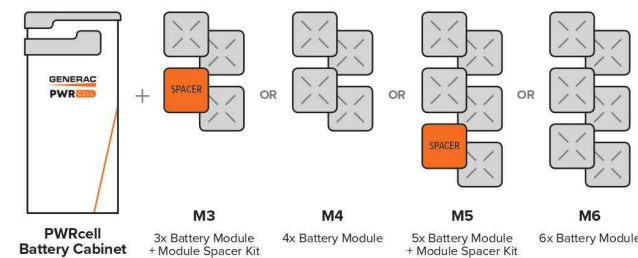
PWRcell Outdoor Rated Battery Cabinet (Ordering SKU: APKE00028)
 3.0kWh PWRcell DCB Battery Module
 Model #: BJ-DCB05ZKBG (Ordering SKU: G0080040)
 3.0kWh PWRcell EX Battery Module
 Model #: G0080001

The PWRcell™ Outdoor Rated (OR) Battery Cabinet is a Type 3R smart battery enclosure that allows for a range of configurations to suit any need, small or large, indoor or outdoor. No other smart battery offers the power and flexibility of PWRcell.

PWRcell BATTERY CABINET DESIGN

The PWRcell Battery Cabinet allows system owners the flexibility to scale from an economical 9kWh to a massive 18kWh by installing additional battery modules to the PWRcell Battery Cabinet. An existing PWRcell Battery Cabinet can be upgraded with additional modules. Use the graphic below and the chart on the back of this sheet to understand what components you need for your chosen PWRcell configuration.

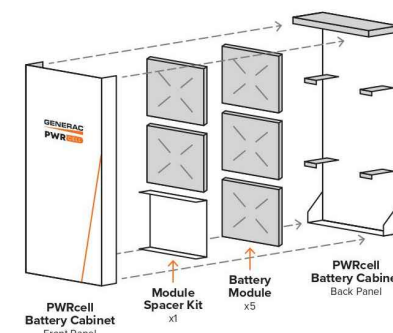
BATTERY CONFIGURATION GUIDE



FEATURES & BENEFITS

- Connect 2 PWRcell Battery Cabinets to a single PWRcell Inverter for up to 36kWh of storage
- Best-in-class battery backup power
- Plug-and-play with PWRcell Inverter and PV Link™
- Time-of-use (TOU) and zero-export ready
- Residential and commercial application ready.
- 3R-rated cabinet allows for outdoor or indoor installation
- Additional mounting hardware for outdoor installations comes standard to provide additional ground clearance and support

BATTERY CABINET ASSEMBLY



POWER HOME SOLAR, LLC
 "POWER YOUR FUTURE"
 919 N. MAIN ST.
 MOORESVILLE, NC 28115
 Phone: 704-800-6591 (OFFICE)
 Email: info@powerhome.com
 Web: www.powerhome.com

REVISIONS

DESCRIPTION	DATE	REV

Signature with Seal

DATE: 11/25/2021

PROJECT NAME & ADDRESS

HOOKER ERIC
 RESIDENCE
 685 COACHMAN WAY,
 SANFORD, NC 27332

SHEET NAME

EQUIPMENT
 SPECIFICATION

SHEET SIZE

ANSI B
 11" X 17"

SHEET NUMBER

PV-9A

GENERAC

PV Link™

2500W MPPT Substring Optimizer
Model #: S2502 (Ordering SKU: APKE00010)



PV Link is the simple solar optimizer for quick installation and long-lasting performance. Connect PV modules to each PV Link to overcome shading and challenging roof lines.

FEATURES & BENEFITS

- Fast, simple installation
- Lower failure risk than module-level optimizers
- 2017/2020 NEC rapid shutdown compliant with SnapRS™
- Quick connections with MC4 connectors
- Exports up to 2500W
- Compatible with PWRcell™ Inverters
- Cost-effective solution for high-performance PV
- Ground-fault protection

SINGLE-STRING PV ARRAY WITH SnapRS DEVICES

Where PV module-level rapid shutdown is required (NEC 690.12), a SnapRS device (RS) is installed to negative (-) lead of each PV module.

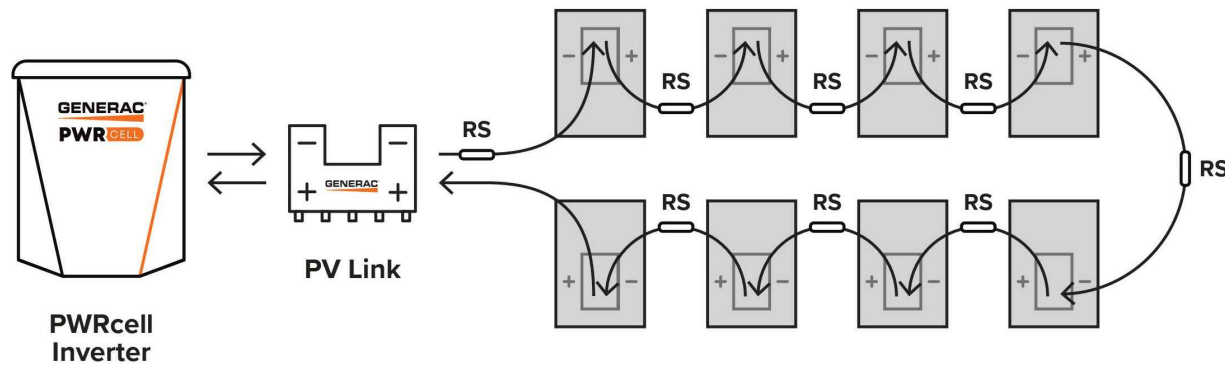


Diagram is applicable for most 60 cell PV modules. Modules with higher cell count may require a different arrangement. Contact Generac for more details.

Specifications

PV Link™ (APKE00010)	
RATED POWER*:	2500W
PEAK EFFICIENCY:	99%
MPPT VOLTAGE RANGE:	60-360 VMP
MAX INPUT VOLTAGE:	420 VOC; max when cold
MAX OUTPUT:	420 VOC
NOMINAL OUTPUT (REbus™):	380 VDC
MAX OUTPUT CURRENT (CONTINUOUS):	8 A
MAX OUTPUT CURRENT (FAULT):	10 A
MAX INPUT CURRENT (CONTINUOUS):	13 A @ 50°C, 10 A @ 70°C
MAX INPUT SHORT CIRCUIT CURRENT (ISC):	18 A
STANDBY POWER:	< 1 W
PROTECTIONS:	Ground-fault, Arc-fault (Arc-fault Type 1 AFCI, Integrated), PVRSE
MAX OPERATING TEMP: FAHRENHEIT (CELSIUS):	158 °F (70 °C)
SYSTEM MONITORING:	PWRview™ Web Portal and Mobile App
ENCLOSURE:	Type 4X
WEIGHT - LB (KG):	7.3 lb (3.3 kg)
DIMENSIONS, L x W x H - IN (MM):	15.4" x 2" x 9.6" (391.2 x 50.8 x 243.8)
COMPLIANCE:	UL 1741, CSA 22.2
WARRANTY:	25 Years

*PV Link can tolerate higher than rated power at its input if Max Input Voltage and Short Circuit Current specifications are not exceeded



Generac Power Systems, Inc.
S45 W29290 Hwy. 59, Waukesha, WI 53189
www.Generac.com | 888-GENERAC (436-3722)
A0000528162 REV D

©2020 Generac Power Systems. All rights reserved.
Specifications are subject to change without notice.

GENERAC



POWER HOME SOLAR, LLC
"POWER YOUR FUTURE"
919 N. MAIN ST.
MOORESVILLE, NC 28115
Phone: 704-800-6591 (OFFICE)
Email: info@powerhome.com
Web: www.powerhome.com

REVISIONS

DESCRIPTION	DATE	REV

Signature with Seal

DATE: 11/25/2021

PROJECT NAME & ADDRESS

HOOKER ERIC
RESIDENCE
685 COACHMAN WAY,
SANFORD, NC 27332

SHEET NAME
EQUIPMENT
SPECIFICATION

SHEET SIZE

ANSI B
11" X 17"

SHEET NUMBER

PV-10



QRail™ — Fully Integrated Mounting and Racking System

The QRail Series is a strong and versatile solar array mounting system that provides unrivaled benefits to solar designers and installers. Combined with Quick Mount PV's industry-leading waterproof mounts, QRail offers a complete racking solution for mounting solar modules on any roof.



Easily design array configurations with the QDesign software application. Generate complete engineering reports and calculate a precise bill of materials for all the mounting, racking and accessories needed for a complete solar array.

Comprehensive, One-Source Solution

QRail, together with Quick Mount PV's waterproof mounting products, provides the benefit of a single-sourced, seamlessly integrated rooftop installation that works with all roof types — composition/asphalt shingles, flat or curved tile, metal shingle, shake, slate and low slope roofs. The QRail system also works with any roof attachment system for maximum flexibility.

Superior Strength and Versatility

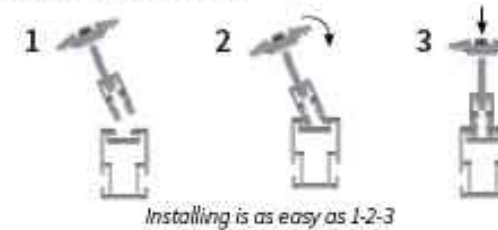
QRail is engineered for optimal structural performance. The system is certified to UL 2703, fully code compliant and backed by a 25-year warranty. QRail is available in Light, Standard and Heavy versions to match all geographic locations. QRail is compatible with virtually all modules and works on a wide range of pitched roof surfaces. Modules can be mounted in portrait or landscape orientation in standard or shared-rail configurations.



Fast, Simple Installation: It Just Clicks

QClick Technology™

The universal mid and end clamps use QClick technology to simply "click" into the rail channel and remain upright, ready to accept the module. The pre-assembled clamps fit virtually all module frames and require no extra hardware, eliminating pre-loading and reducing installation time.



UNIVERSAL END CLAMP
2 clamps for modules from
30-45mm or 38-50mm thick



UNIVERSAL BONDED MID CLAMP
2 clamps for modules from
30-45mm or 38-50mm thick

QSplice™ Technology

QRail's innovative internal QSplice installs in seconds, requiring no tools or screws. Simply insert QSplice into the rail and slide the other rail on to create a fully structural, bonded splice. An external splice is also available.



Fully Integrated Electrical Bonding

The QRail system provides an integrated electrical bonding path, ensuring that all exposed metal parts and the solar module frames are electrically connected. All electrical bonds are created when the components are installed and tightened down.



POWER HOME SOLAR, LLC
"POWER YOUR FUTURE"
919 N. MAIN ST.
MOORESVILLE, NC 28115
Phone: 704-800-6591 (OFFICE)
Email: info@powerhome.com
Web: www.powerhome.com

REVISIONS

DESCRIPTION	DATE	REV

Signature with Seal

DATE: 11/25/2021

PROJECT NAME & ADDRESS

HOOKER ERIC
RESIDENCE
685 COACHMAN WAY,
SANFORD, NC 27332

SHEET NAME

EQUIPMENT
SPECIFICATION

SHEET SIZE

ANSI B
11" X 17"

SHEET NUMBER

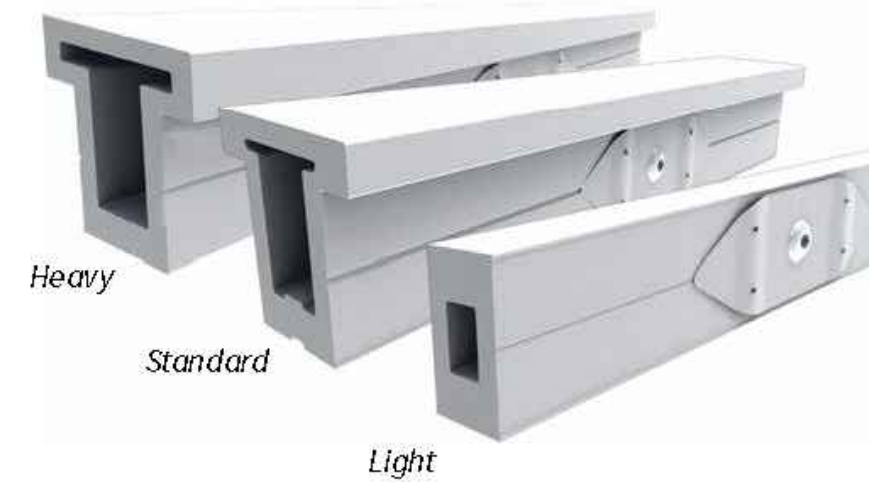
PV-11

QRail™ Configurations



Item Code	Part Number	Description	Finish
QMR-RL14 A 60	800	QRail Light, 14 ft., 60 Pack	Mill
QMR-RL17.3 A 60	801	QRail Light, 17.3 ft., 60 Pack	Mill
QMR-RL14 B 60	805	QRail Light, 14 ft., 60 Pack	Black
QMR-RL17.3 B 60	806	QRail Light, 17.3 ft., 60 Pack	Black
QMR-RS14 A 60	810	QRail Standard, 14 ft., 60 Pack	Mill
QMR-RS17.3 A 60	811	QRail Standard, 17.3 ft., 60 Pack	Mill
QMR-RS14 B 60	815	QRail Standard, 14 ft., 60 Pack	Black
QMR-RS17.3 B 60	816	QRail Standard, 17.3 ft., 60 Pack	Black
QMR-RH14 A 60	820	QRail Heavy, 14 ft., 60 Pack	Mill
QMR-RH17.3 A 60	821	QRail Heavy, 17.3 ft., 60 Pack	Mill
QMR-RH14 B 60	825	QRail Heavy, 14 ft., 60 Pack	Black
QMR-RH17.3 B 60	826	QRail Heavy, 17.3 ft., 60 Pack	Black

QSplice™ Internal Structural Splice



Item Code	Part Number	Description	Finish
QMR-ISL A 15	830	QSplice Internal, Light, 15 Pack	Mill
QMR-ISS A 15	831	QSplice Internal, Standard, 15 Pack	Mill
QMR-ISH A 15	832	QSplice Internal, Heavy, 15 Pack	Mill

QSplice™ External Structural Splice



Item Code	Part Number	Description	Finish
QMR-ESS A 15	834	QSplice External, Standard, 15 Pack	Mill
QMR-ESH A 15	835	QSplice External, Heavy, 15 Pack	Mill



REVISIONS		
DESCRIPTION	DATE	REV

Signature with Seal

DATE: 11/25/2021

PROJECT NAME & ADDRESS

**HOOKER ERIC
 RESIDENCE**
 685 COACHMAN WAY,
 SANFORD, NC 27332

SHEET NAME
**EQUIPMENT
 SPECIFICATION**

SHEET SIZE
**ANSI B
 11" X 17"**

SHEET NUMBER
PV-11A

Universal End Clamp with QClick™ Technology



Black

Mill

Item Code	Part Number	Description	Finish
QMR-UEC3045 A 20	860	Universal End Clamp, 30-45mm, 20 Pack	Mill
QMR-UEC3850 A 20	861	Universal End Clamp, 38-50mm, 20 Pack	Mill
QMR-UEC3045 B 20	865	Universal End Clamp, 30-45mm, 20 Pack	Black
QMR-UEC3850 B 20	866	Universal End Clamp, 38-50mm, 20 Pack	Black
QMR-UEC3045BP A 20	862	Universal End Clamp, 30-45mm, w/ Bonding, 20 Pack	Mill
QMR-UEC3850BP A 20	863	Universal End Clamp, 38-50mm, w/ Bonding, 20 Pack	Mill
QMR-UEC3045BP B 20	867	Universal End Clamp, 30-45mm, w/ Bonding, 20 Pack	Black
QMR-UEC3850BP B 20	868	Universal End Clamp, 38-50mm, w/ Bonding, 20 Pack	Black

Mid Clamp with QClick™ Technology



Black

Mill

Item Code	Part Number	Description	Finish
QMR-UMC3045BP 1.2 A 20	872	Universal Mid Clamp, 30-45mm, w/ Bonding, 20 Pack	Mill
QMR-UMC3850BP 1.2 A 20	873	Universal Mid Clamp, 38-50mm, w/ Bonding, 20 Pack	Mill
QMR-UMC3045BP 1.2 B 20	877	Universal Mid Clamp, 30-45mm, w/ Bonding, 20 Pack	Black
QMR-UMC3850BP 1.2 B 20	878	Universal Mid Clamp, 38-50mm, w/ Bonding, 20 Pack	Black

Single-Slot L-Foot



Item Code	Part Number	Description	Finish
QMC-LF A 12	692	Single-slot L-foot, 12 Pack	Mill
QMC-LF B 12	693	Single-slot L-foot, 12 Pack	Black

End Caps



Heavy

Standard

Light

Item Code	Part Number	Description	Finish
QMR-CPL B 50	885	End Cap Light, 50 Pack	Black
QMR-CPS B 50	886	End Cap Standard, 50 Pack	Black
QMR-CPH B 50	887	End Cap Heavy, 50 Pack	Black



POWER HOME SOLAR, LLC
 "POWER YOUR FUTURE"
 919 N. MAIN ST.
 MOORESVILLE, NC 28115
 Phone: 704-800-6591 (OFFICE)
 Email: info@powerhome.com
 Web: www.powerhome.com

REVISIONS

DESCRIPTION	DATE	REV

Signature with Seal

DATE: 11/25/2021

PROJECT NAME & ADDRESS

HOOKER ERIC
 RESIDENCE
 685 COACHMAN WAY,
 SANFORD, NC 27332

SHEET NAME

EQUIPMENT
 SPECIFICATION

SHEET SIZE

ANSI B
 11" X 17"

SHEET NUMBER

PV-11B

T-Bolt



Item Code	Part Number	Description	Finish
QMR-TB A 300	880	T-Bolt w/ Nut, 300 Pack	stainless steel

Grounding Lug



Item Code	Part Number	Description	Finish
QMR-GL A 50	890	WEEB Lug w/ T-Bolt, 50 Pack	n/a

Wire Clip



Works with both PV and Trunk Cabling

Item Code	Part Number	Description	Finish
QMR-WCA 300	892	Trunk/PV Cable, 300 Pack	stainless steel

WEEB BMC



Item Code	Part Number	Description	Finish
QMR-ECWA 50	891	WEEB BMC, 50 Pack	stainless steel



POWER HOME SOLAR, LLC
 "POWER YOUR FUTURE"
 919 N. MAIN ST.
 MOORESVILLE, NC 28115
 Phone: 704-800-6591 (OFFICE)
 Email: info@powerhome.com
 Web: www.powerhome.com

REVISIONS

DESCRIPTION	DATE	REV

Signature with Seal

DATE: 11/25/2021

PROJECT NAME & ADDRESS

**HOOKER ERIC
 RESIDENCE**
 685 COACHMAN WAY,
 SANFORD, NC 27332

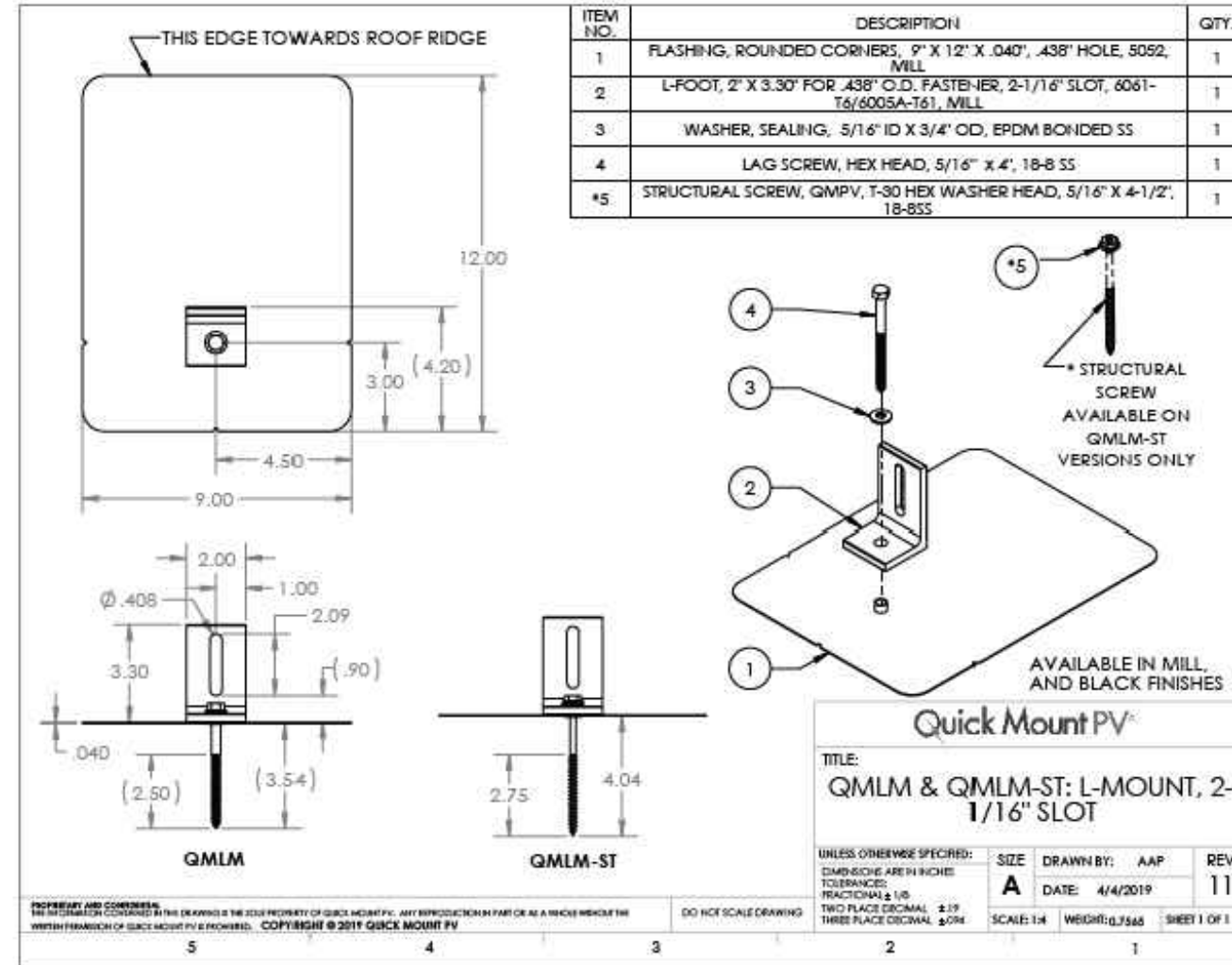
SHEET NAME
**EQUIPMENT
 SPECIFICATION**

SHEET SIZE
**ANSI B
 11" X 17"**

SHEET NUMBER
PV-11C

L-Mount | QMLM / QMLM-ST

Elevated Water Seal Technology®



L-Mount Installation Instructions

Installation Tools Required: tape measure, roofing bar, chalk line, stud finder, caulking gun, sealant compatible with roofing materials, drill with 7/32" or 1/8" bit, drill or impact gun with 1/2" socket.

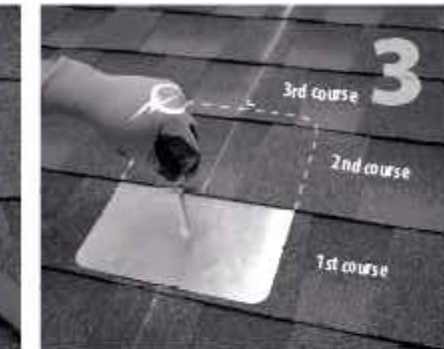
WARNING: Quick Mount PV products are NOT designed for a and should NOT be used to anchor fall protection equipment.



1 Locate, choose, and mark centers of rafters to be mounted. Select the courses of shingles where mounts will be placed.



2 Carefully lift composition roof shingle with roofing bar, just above placement of mount. Remove nails as required and backfill holes with approved sealant. See "Proper Flashing Placement" on next page.



3 Insert flashing between 1st and 2nd course. Slide up so top edge of flashing is at least 3/4" higher than the butt-edge of the 3rd course and lower flashing edge is above the butt-edge of 1st course. Mark center for drilling.



4 If attaching with lag bolt use a 7/32" bit (Lag). Use a 1/8" bit (ST) for attaching with the structural screw. Drill pilot hole into roof and rafter, taking care to drill square to the roof. Do not use mount as a drill guide. Drill a 2" deep hole into rafter.



5 Clean off any sawdust, and fill hole with sealant compatible with roofing materials.



6 Place L-foot onto elevated flute and rotate L-foot to desired orientation.



7 Prepare lag bolt or structural screw with sealing washer. Using a 1/2-inch socket on an impact gun, drive prepared lag bolt through L-foot until L-foot can no longer easily rotate. **DO NOT over-torque.** NOTE: Structural screw can be driven with T-30 hex head bit. BI 7.2.3-44



8 You are now ready for the rack of your choice. Follow all the directions of the rack manufacturer as well as the module manufacturer. NOTE: Make sure top of L-Foot makes solid contact with racking.

All roofing manufacturers' written instructions must also be followed by anyone modifying a roof system. Consult the roof manufacturer's specs and instructions prior to working on the roof.

Quick Mount PV®
RESPECT THE ROOF

Apr-2019 Rev 6



POWER HOME SOLAR, LLC
"POWER YOUR FUTURE"
919 N. MAIN ST.
MOORESVILLE, NC 28115
Phone: 704-800-6591 (OFFICE)
Email: info@powerhome.com
Web: www.powerhome.com

REVISIONS

DESCRIPTION	DATE	REV

Signature with Seal

DATE: 11/25/2021

PROJECT NAME & ADDRESS

HOOKER ERIC
RESIDENCE
685 COACHMAN WAY,
SANFORD, NC 27332

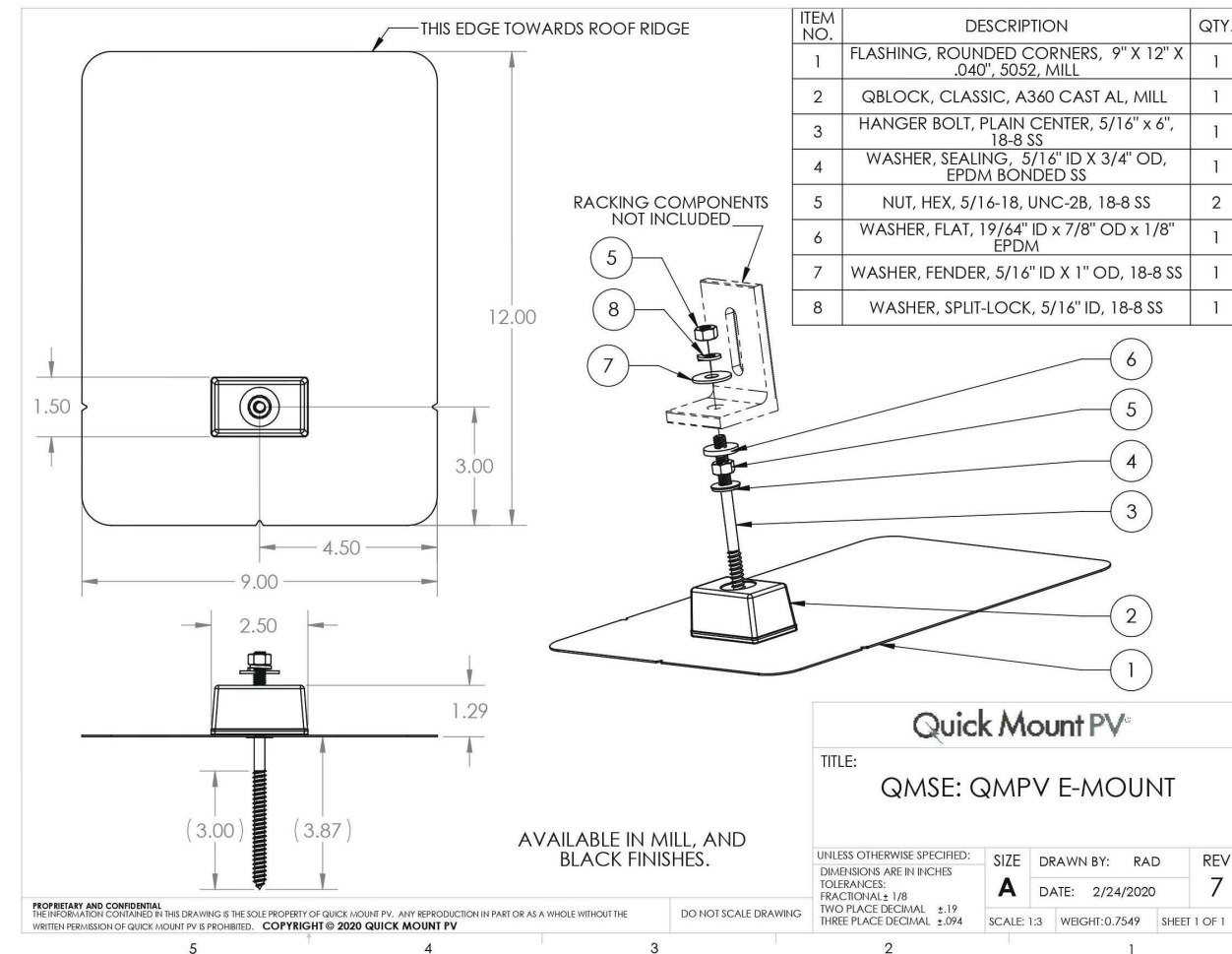
SHEET NAME
EQUIPMENT
SPECIFICATION

SHEET SIZE
ANSI B
11" X 17"

SHEET NUMBER
PV-12

E-Mount | QMSE

Elevated Water Seal Technology®



AVAILABLE IN MILL, AND BLACK FINISHES.

Lag pull-out (withdrawal) capacities (lbs) in typical lumber:

	Lag Bolt Specifications		
	Specific Gravity	5/16" shaft per 3" thread depth	5/16" shaft per 1" thread depth
Douglas Fir, Larch	.50	798	266
Douglas Fir, South	.46	705	235
Engelmann Spruce, Lodgepole Pine (MSR 1650 f & higher)	.46	705	235
Hem, Fir	.43	636	212
Hem, Fir (North)	.46	705	235
Southern Pine	.55	921	307
Spruce, Pine, Fir	.42	615	205
Spruce, Pine, Fir (E of 2 million psi and higher grades of MSR and MEL)	.50	798	266

Sources: American Wood Council, NDS 2005, Table 11.2 A, 11.3.2 A

Notes:

- 1) Thread must be embedded in a rafter or other structural roof member.
- 2) See NDS Table 11.5.1C for required edge distances.



E-Mount Installation Instructions

Installation Tools Required: tape measure, roofing bar, chalk line, stud finder, caulking gun, sealant compatible with roofing materials, drill with 7/32" long-style bit, drill or impact gun with 1/2" deep socket.

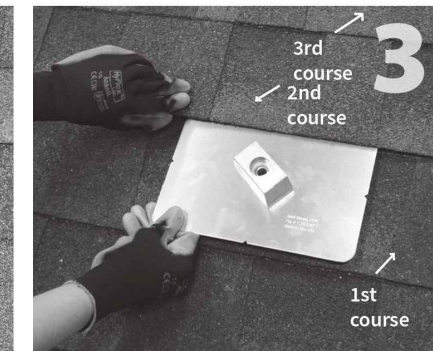
WARNING: Quick Mount PV products are NOT designed for and should NOT be used to anchor fall protection equipment.



Locate, choose, and mark centers of rafters to be mounted. Select the courses of shingles where mounts will be placed.



Carefully lift composition roof shingle with roofing bar, just above placement of mount. Remove nails as required. See "Proper Flashing Placement" on next page.



Insert flashing between 1st and 2nd course. Slide up so top edge of flashing is at least 3/4" higher than the butt-edge of the 3rd course and lower flashing edge is above the butt-edge of 1st course. Mark center for drilling.



Using drill with 7/32" bit, drill pilot hole into roof and rafter, taking care to drill square to the roof. Do not use mount as a drill guide. Drill should be 'long style bit', aka 'aircraft extension bit' to drill a 3" deep hole into rafter.



Clean off any sawdust, and fill hole with sealant compatible with roofing materials.



Slide flashing into position. Prepare hanger bolt with hex nut and sealing washer. Insert into hole and drive hanger bolt until QBlock stops rotating easily. **Do NOT over torque.**



Insert EPDM rubber washer over hanger bolt into block.



Using the rack kit hardware, secure the racking (L-foot) to the mount using torque specs from racking manufacturer. If racking manufacturer does not specify torque setting, tighten to 13 ft.-lbs.

You are now ready for the rack of your choice. Follow all the directions of the rack manufacturer as well as the module manufacturer.

All roofing manufacturers' written instructions must also be followed by anyone modifying a roof system. Consult the roof manufacturer's specs and instructions prior to touching the roof.



POWER HOME SOLAR, LLC
 "POWER YOUR FUTURE"
 919 N. MAIN ST.
 MOORESVILLE, NC 28115
 Phone: 704-800-6591 (OFFICE)
 Email: info@powerhome.com
 Web: www.powerhome.com

REVISIONS

DESCRIPTION	DATE	REV

Signature with Seal

DATE: 11/25/2021

PROJECT NAME & ADDRESS

**HOOKER ERIC
 RESIDENCE
 685 COACHMAN WAY,
 SANFORD, NC 27332**

SHEET NAME

**EQUIPMENT
 SPECIFICATION**

SHEET SIZE

**ANSI B
 11" X 17"**

SHEET NUMBER

PV-12A