

PROJECT DESCRIPTION:

24 X 340 HANWHA QCELL Q.PEAK DUO BLK-G6+ 340 MODULES
 ROOF MOUNTED SOLAR PHOTOVOLTAIC MODULES

SYSTEM SIZE: 8.16 kW DC STC
 ARRAY AREA: ROOF#1 - 251.03 SQ FT
 ARRAY AREA: ROOF#2 - 212.41 SQ FT

EQUIPMENT SUMMARY

24 HANWHA QCELL Q.PEAK DUO BLK-G6+ 340 MODULES
 04 GENERAC PV LINK S2502 POWER OPTIMIZERS
 01 GENERAC PWRCELL XVT076A03 (7.6KW) INVERTER

APPLICABLE CODES & STANDARDS

NORTH CAROLINA RESIDENTIAL CODE 2018
 NEC 2017

AUTHORITIES HAVING JURISDICTION

BUILDING : HARNETT COUNTY
 ZONING : HARNETT COUNTY
 UTILITY : SOUTHERN RIVERS ENERGY

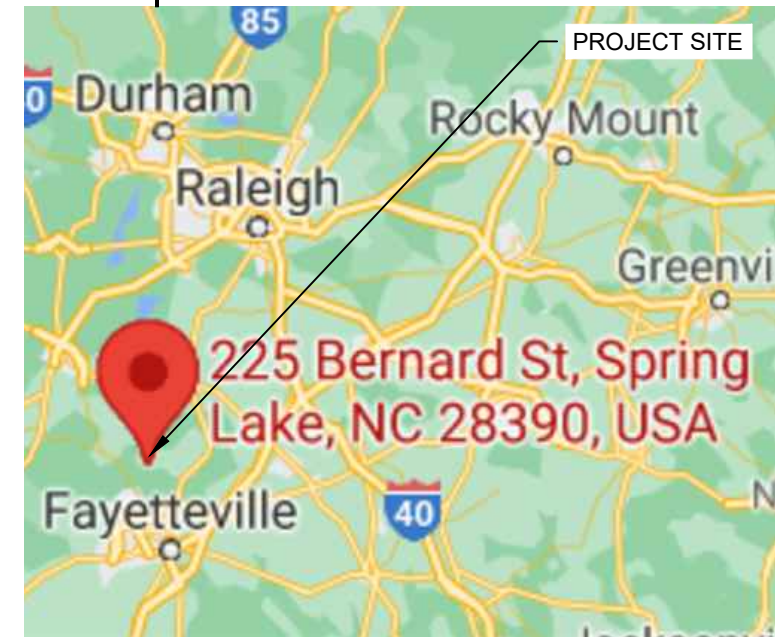
DESIGN SPECIFICATIONS

OCCUPANCY : II
 CONSTRUCTION : SINGLE-FAMILY
 ZONING : RESIDENTIAL
 GROUND SNOW LOAD : SEE STRUCTURAL LETTER
 WIND EXPOSURE : SEE STRUCTURAL LETTER
 WIND SPEED : SEE STRUCTURAL LETTER



2 HOUSE PHOTO

PV-1 SCALE: NTS

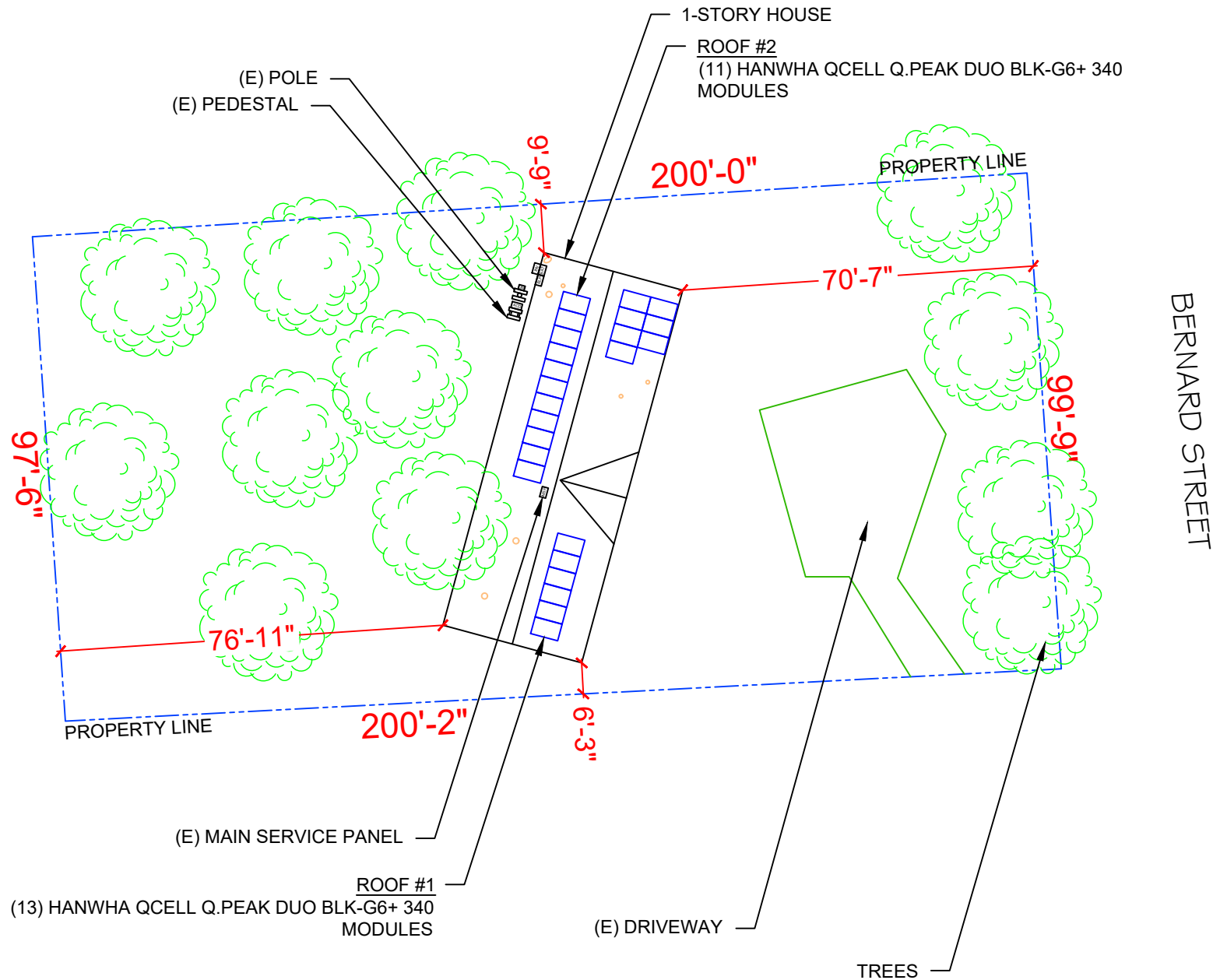


3 VICINITY MAP

PV-1 SCALE: NTS

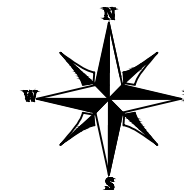
SHEET INDEX

PV-1 PLOT PLAN & VICINITY MAP
 PV-2 ROOF PLAN & MODULES
 PV-2A STRING LAYOUT
 PV-3 ATTACHMENT DETAIL
 PV-4 ELECTRICAL LINE DIAGRAM
 PV-5 WIRING CALCULATIONS
 PV-6 to 13 EQUIPMENT SPECIFICATIONS



1 PLOT PLAN & VICINITY MAP

PV-1 SCALE: 1"=30'-0"



POWER HOME SOLAR, LLC
 "POWER YOUR FUTURE"
 919 N. MAIN ST.
 MOORESVILLE, NC 28115
 Phone: 704-800-6591 (OFFICE)
 Email: info@powerhome.com
 Web: www.powerhome.com

REVISIONS

DESCRIPTION	DATE	REV

Signature with Seal

DATE: 7/22/2021

PROJECT NAME & ADDRESS

ROBINSON IRAM LOPEZ VELASQUEZ
 RESIDENCE
 225 BERNARD STREET,
 SPRING LAKE, NC 28390

SHEET NAME

PLOT PLAN & VICINITY MAP

SHEET SIZE

**ANSI B
 11" X 17"**

SHEET NUMBER

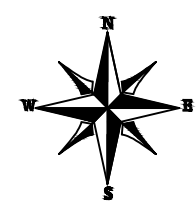
PV-1

MODULE TYPE, DIMENSIONS & WEIGHT

NUMBER OF MODULES = 24 MODULES
 MODULE TYPE = HANWHA QCELL Q.PEAK DUO BLK-G6+ 340 MODULES
 MODULE WEIGHT = 43.9 LBS / 19.9 KG.
 MODULE DIMENSIONS = 68.5"x 40.6" = 19.31 SF
 UNIT WEIGHT OF ARRAY = 2.27 PSF

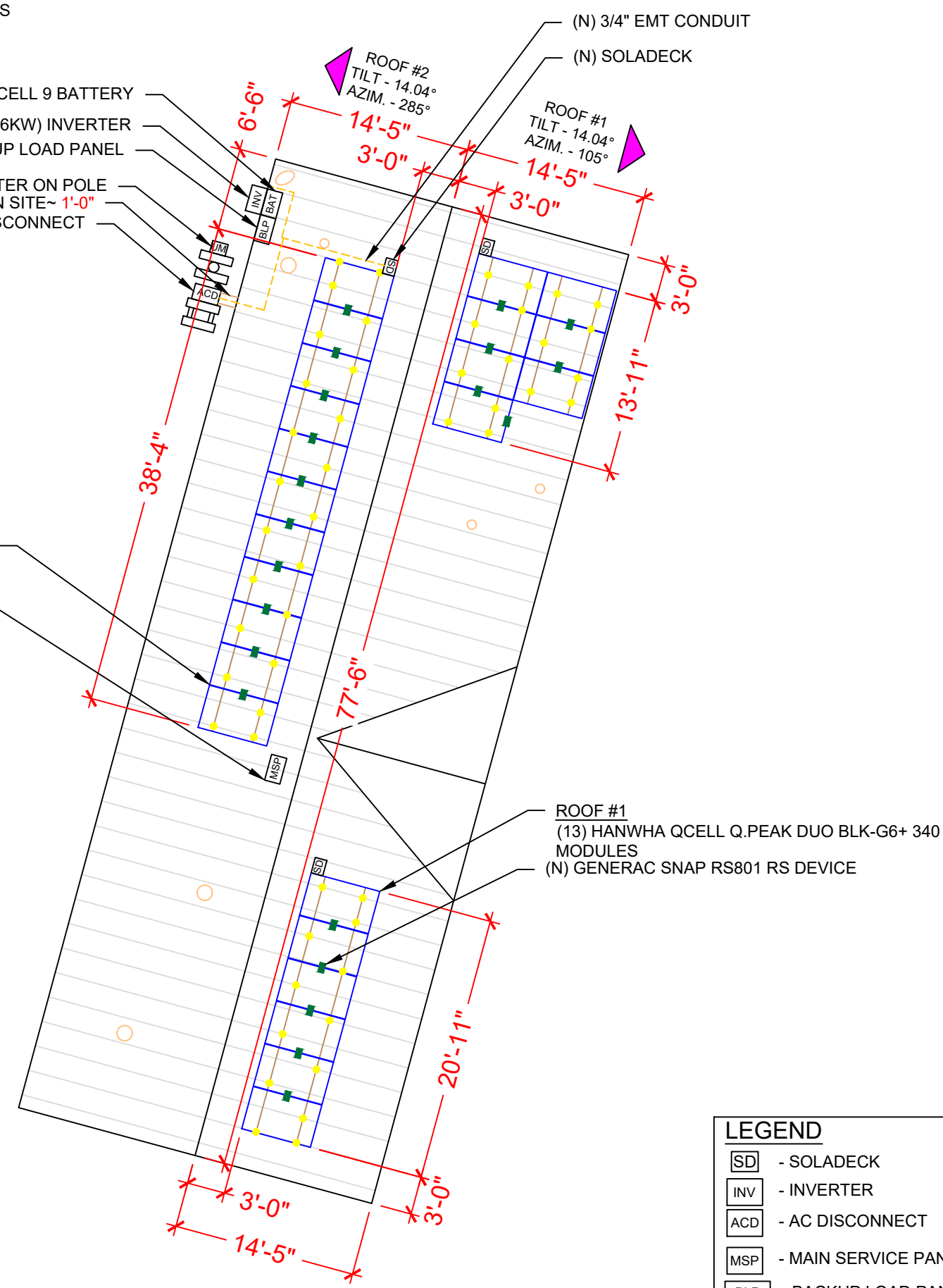
(E) BACK OF RESIDENCE

(E) FRONT OF RESIDENCE
 BERNARD STREET



1 ROOF PLAN & MODULES

PV-2 SCALE: 3/32" = 1'-0"



ON- SITE CUSTOMER APPROVAL: _____

ROOF DESCRIPTION				
ROOF TYPE		CORRUGATED METAL		
ROOF	ROOF TILT	AZIMUTH	FRAMING SIZE	FRAMING SPACING
#1	14.04°	105°	SEE STRUCTURAL LETTER	
#2	14.04°	285°		

ARRAY AREA & ROOF AREA CALC'S				
ROOF	# OF MODULES	ARRAY AREA (Sq. Ft.)	ROOF AREA (Sq. Ft.)	ROOF AREA COVERED BY ARRAY (%)
#1	13	251.03	987.07	25
#2	11	212.41	1118.28	19

POWERHOME
 POWER HOME SOLAR, LLC
 "POWER YOUR FUTURE"
 919 N. MAIN ST.
 MOORESVILLE, NC 28115
 Phone: 704-800-6591 (OFFICE)
 Email: info@powerhome.com
 Web: www.powerhome.com

REVISIONS		
DESCRIPTION	DATE	REV

Signature with Seal
 DATE: 7/22/2021

PROJECT NAME & ADDRESS
 ROBINSON IRAM LOPEZ VELASQUEZ
 RESIDENCE
 225 BERNARD STREET,
 SPRING LAKE, NC 28390

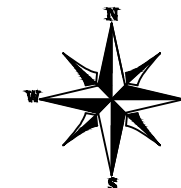
SHEET NAME
ROOF PLAN & MODULES

SHEET SIZE
**ANSI B
 11" X 17"**

SHEET NUMBER
PV-2

LEGEND

[SD]	- SOLADECK	[Orange Box]	- VENT, ATTIC FAN (ROOF OBSTRUCTION)
[INV]	- INVERTER	[Yellow Dot]	- ROOF ATTACHMENT
[ACD]	- AC DISCONNECT	[Grey Line]	- RAFTERS
[MSP]	- MAIN SERVICE PANEL	[Dashed Line]	- CONDUIT
[BLP]	- BACKUP LOAD PANEL	[Green Square]	- RAPID SHUTDOWN
[BAT]	- BATTERY		
[OP]	- PV LINK OPTIMIZER		



POWERHOME
 POWER HOME SOLAR, LLC
 "POWER YOUR FUTURE"
 919 N. MAIN ST.
 MOORESVILLE, NC 28115
 Phone: 704-800-6591 (OFFICE)
 Email: info@powerhome.com
 Web: www.powerhome.com

REVISIONS		
DESCRIPTION	DATE	REV

Signature with Seal

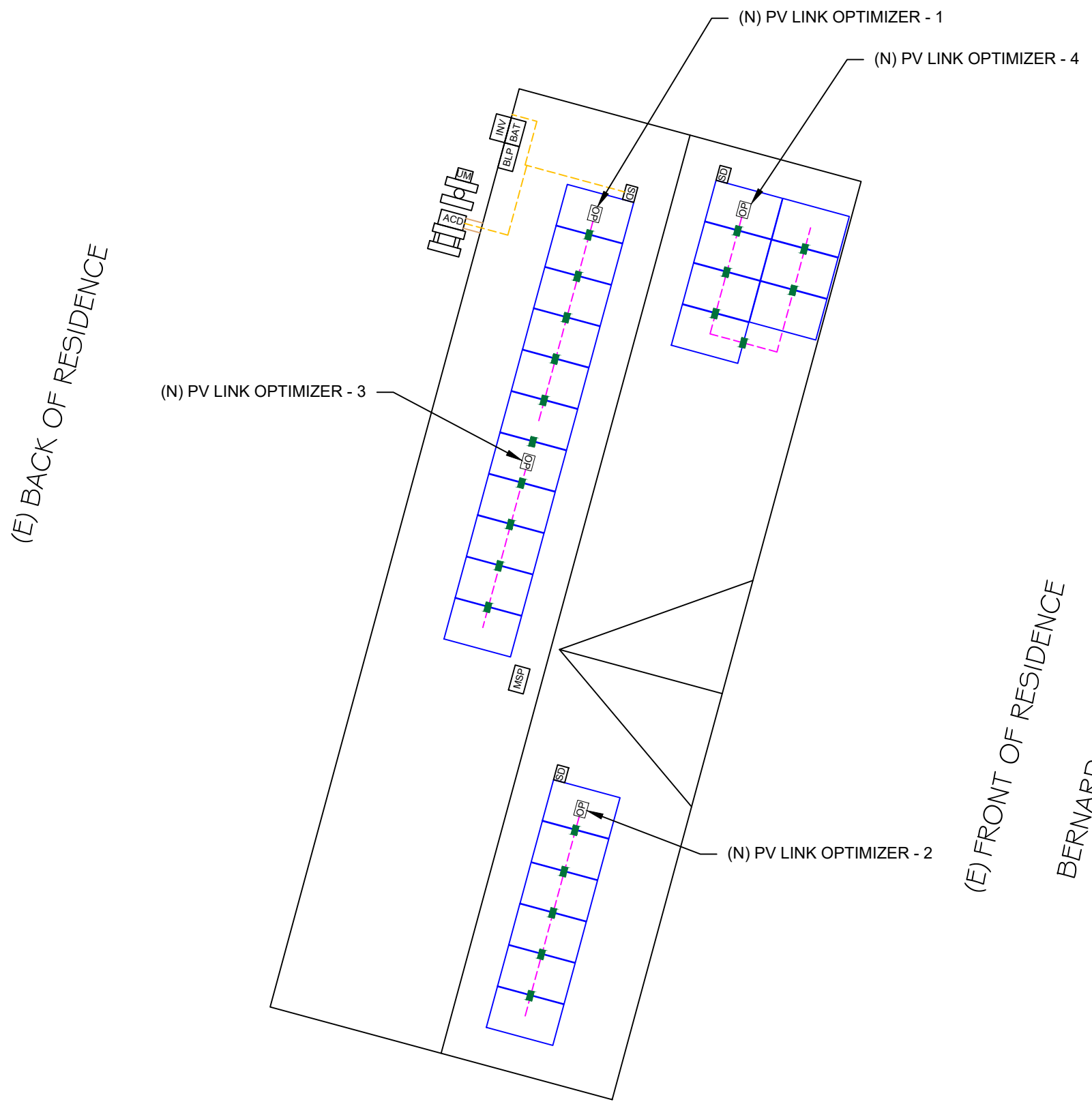
 DATE: 7/22/2021

PROJECT NAME & ADDRESS
ROBINSON IRAM LOPEZ VELASQUEZ
RESIDENCE
225 BERNARD STREET,
SPRING LAKE, NC 28390

SHEET NAME
STRING LAYOUT

SHEET SIZE
ANSI B
11" X 17"

SHEET NUMBER
PV-2A



BILL OF MATERIALS		
EQUIPMENT	QTY	DESCRIPTION
SOLAR PV MODULE	24	HANWHA QCELL Q.PEAK DUO BLK-G6+ 340 MODULES
OPTIMIZER	04	GENERAC PV LINK S2502 POWER OPTIMIZERS
GENERAC SNAP RS	24	GENERAC SNAPRS MODEL RS801
INVERTER	01	GENERAC PWRCELL XVT076A03 (7.6KW) INVERTER
AC DISCONNECT	1	60A FUSED, (2) 40A FUSES, 240V, NEMA 3R, UL LISTED
SOLADECK	3	SOLADECKS 600 V, NEMA 3R UL LISTED
BATTERY	1	GENERAC PWRCELL 9 BATTERY
BACKUP PANEL	1	125A, BACKUP PANEL, 240V
RAILS	16	QRAIL LIGHT 14 FT. BLACK
SPLICE KIT	10	QSPLICE INTERNAL LIGHT
WEEB BMC	0	WEEB BMC MILL
MODULE CLAMPS	40	UNIVERSAL MID CLAMP
GROUNDING LUG	4	WEEB LUG W/ T-BOLT
END CLAMPS	16	UNIVERSAL END CLAMPS
ATTACHMENT	66	S-5! PROTEA BRACKET
T-BOLT	66	T-BOLT W/ NUT M8 X 20MM
L-FOOT	66	SINGLE - SLOT L-FOOT (QMC-LF A12)

REVISIONS		
DESCRIPTION	DATE	REV

Signature with Seal

DATE: 7/22/2021

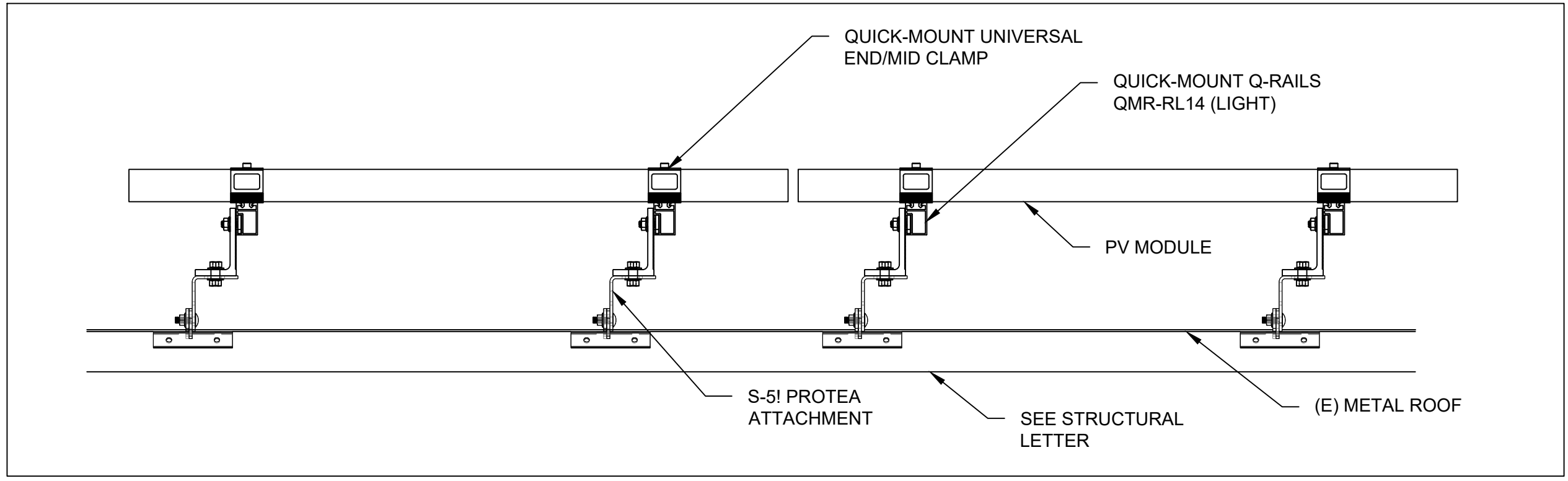
PROJECT NAME & ADDRESS

ROBINSON IRAM LOPEZ VELASQUEZ
 RESIDENCE
 225 BERNARD STREET,
 SPRING LAKE, NC 28390

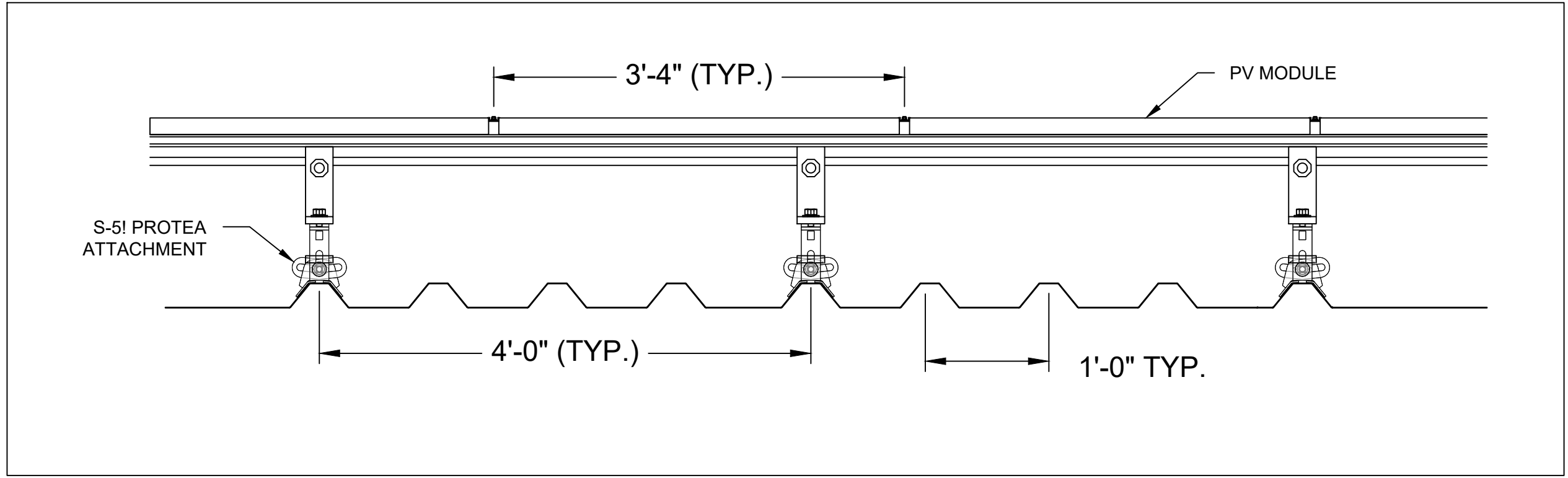
SHEET NAME
**ATTACHMENT
 DETAIL**

SHEET SIZE
**ANSI B
 11" X 17"**

SHEET NUMBER
PV-3



1 STRUCTURAL ATTACHMENT (SIDE VIEW)
 PV-3 SCALE: NTS



2 ATTACHMENT DETAIL (enlarged view)
 PV-3 SCALE: NTS

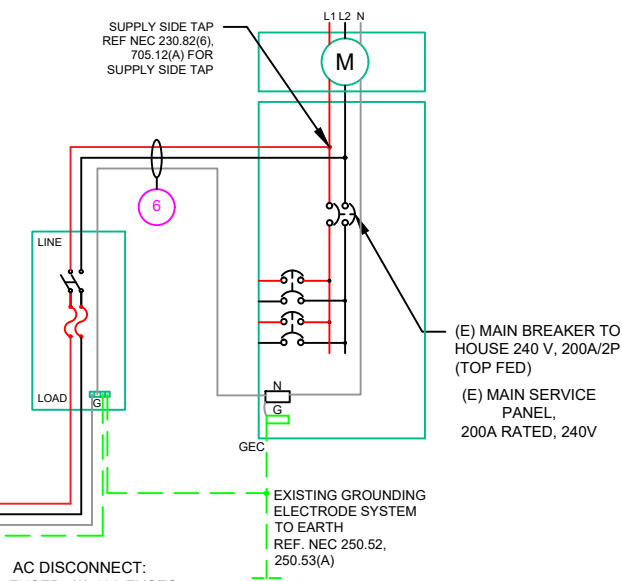
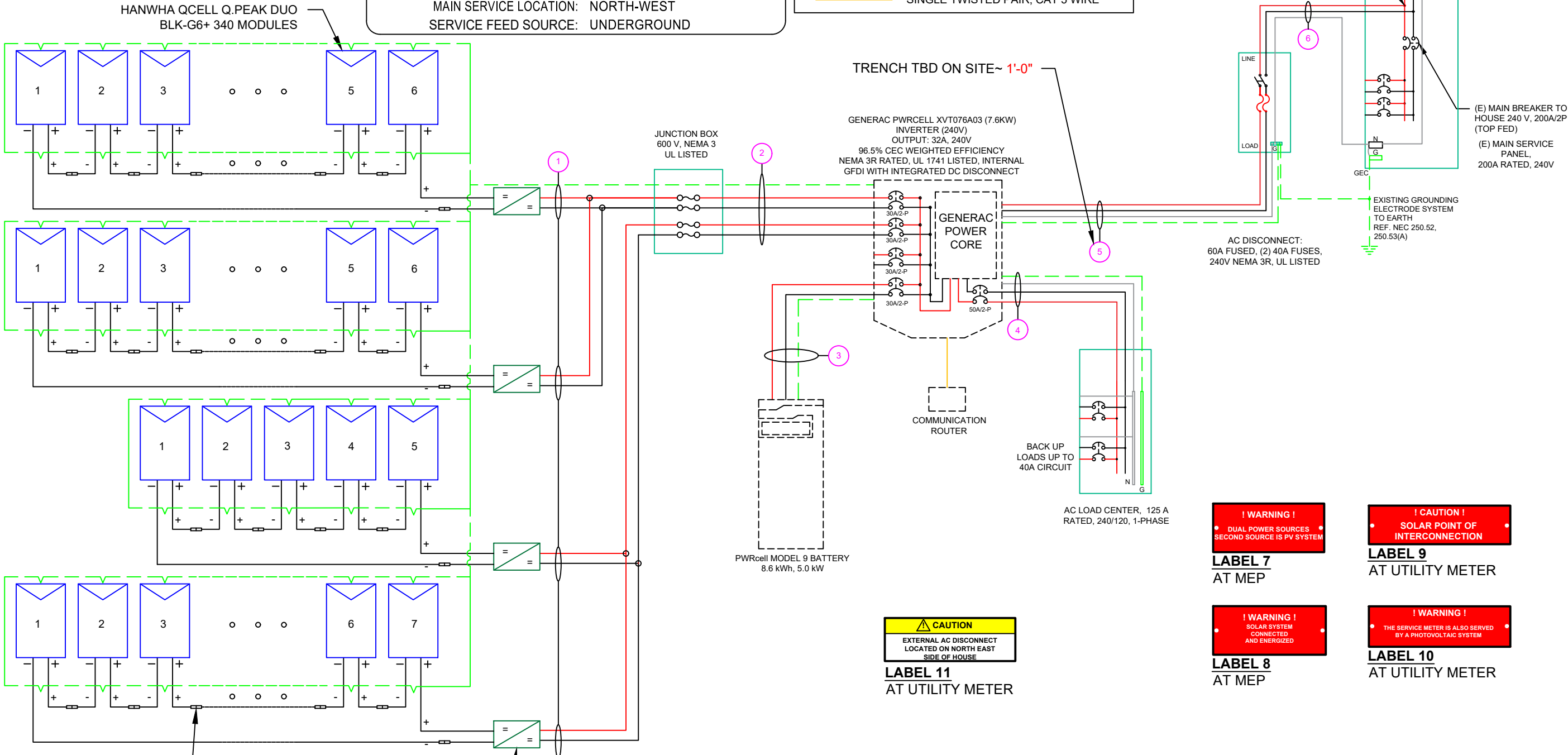
(24) HANWHA QCELL Q.PEAK DUO BLK-G6+ 340 MODULES
 (2) PV LINKS OF 6 MODULES &
 (1) PV LINK OF 5 MODULES &
 (1) PV LINK OF 7 MODULES CONNECTED IN SERIES

SERVICE INFO

UTILITY PROVIDER: SOUTHERN RIVERS ENERGY
 MAIN SERVICE VOLTAGE: 240V
 MAIN PANEL BRAND: N/A
 MAIN SERVICE PANEL: 200A
 MAIN CIRCUIT BREAKER RATING: 200A
 MAIN SERVICE LOCATION: NORTH-WEST
 SERVICE FEED SOURCE: UNDERGROUND

WIRE LEGEND

- PV ARRAY +VE CONDUCTOR AND L1
- PV ARRAY -VE CONDUCTOR AND L2
- NEUTRAL CONDUCTOR
- EGC AND GEC
- SINGLE TWISTED PAIR, CAT 5 WIRE



SNAP RS (RS801)
 MAX INPUT CURRENT - 13 A
 UL 1741 LISTED
 MODULE LEVEL RAPID
 SHUTDOWN (PVRSS)
 COMPLIANT
 NEMA 6P RATED

PV LINK SUBSTRING OPTIMIZER (S2502)
 RATED POWER : 2500W
 MPPT VOLTAGE RANGE: 60 TO 360 V
 MAX OUTPUT VOLTAGE: 420V
 MAX OUTPUT CURRENT: 8A
 RAPID SHUTDOWN COMPLIANT
 GROUND-FAULT PROTECTION COMPLIANT

! WARNING !
 PHOTOVOLTAIC
 POWER SOURCE

LABEL 1
 ON ALL CONDUITS
 SPACED AT MAX 10FT



LABEL 2
 AT INVERTER

! CAUTION !
 SOLAR ELECTRIC
 SYSTEM CONNECTED
 AND ENERGIZED

LABEL 3
 AT INVERTER

**PHOTOVOLTAIC
 DC DISCONNECT**

LABEL 4
 AT EACH DC
 DISCONNECT

! WARNING !
 ELECTRIC SHOCK HAZARD
 DO NOT TOUCH TERMINALS.
 TERMINALS ON BOTH LINE AND LOAD SIDES
 MAY BE ENERGIZED IN THE OPEN POSITION

LABEL 5
 AT EACH AC
 DISCONNECT

**PHOTOVOLTAIC
 AC DISCONNECT**

LABEL 6
 AT EACH AC
 DISCONNECT

! WARNING !
 DUAL POWER SOURCES
 SECOND SOURCE IS PV SYSTEM

LABEL 7
 AT MEP

! WARNING !
 SOLAR SYSTEM
 CONNECTED
 AND ENERGIZED

LABEL 8
 AT MEP

! CAUTION !
 SOLAR POINT OF
 INTERCONNECTION

LABEL 9
 AT UTILITY METER

! WARNING !
 THE SERVICE METER IS ALSO SERVED
 BY A PHOTOVOLTAIC SYSTEM

LABEL 10
 AT UTILITY METER

QTY	CONDUCTOR INFORMATION	CONDUIT TYPE	CONDUIT SIZE
(8)	#10AWG - PV WIRE/USE-2		
(1)	#6AWG - BARE COPPER IN FREE AIR	N/A	N/A
(4)	#10AWG - THWN-2	EMT OR FLEX IN ATTIC	3/4"
(1)	#6AWG - THWN-2 GND		
(2)	#10AWG - THWN-2	EMT OR FLEX	3/4"
(1)	#10AWG - THWN-2 GND		
(3)	#6AWG - THWN-2	EMT OR FLEX	3/4"
(1)	#6AWG - THWN-2 GND		
(3)	#6AWG - THWN-2	IMC OR PVC IN TRENCH/ LFNC	3/4"
(1)	#6AWG - THWN-2 GND		
(3)	#6AWG - THWN-2	EMT OR FLEX	3/4"

POWERHOME

POWER HOME SOLAR, LLC
 "POWER YOUR FUTURE"
 919 N. MAIN ST.
 MOORESVILLE, NC 28115
 Phone: 704-800-6591 (OFFICE)
 Email: info@powerhome.com
 Web: www.powerhome.com

REVISIONS

DESCRIPTION	DATE	REV
(E) MAIN BREAKER TO HOUSE 240 V, 200A/2P (TOP FED)		
(E) MAIN SERVICE PANEL, 200A RATED, 240V		

Signature with Seal

DATE: 7/22/2021

PROJECT NAME & ADDRESS

ROBINSON IRAM LOPEZ VELASQUEZ
 RESIDENCE
 225 BERNARD STREET,
 SPRING LAKE, NC 28390

SHEET NAME
**ELECTRICAL LINE
 DIAGRAM**

SHEET SIZE
**ANSI B
 11" X 17"**

SHEET NUMBER
PV-4

SOLAR MODULE SPECIFICATIONS	
MANUFACTURER / MODEL #	HANWHA QCELL Q.PEAK DUO BLK-G6+ 340
VMP	33.94V
IMP	10.02A
VOC	40.66V
ISC	10.52A
TEMP. COEFF. VOC	-0.27%/°C
PTC RATING	318.35W
MODULE DIMENSION	68.5"L x 40.6"W x 1.26"D (In Inch)

INVERTER SPECIFICATIONS	
MANUFACTURER / MODEL #	GENERAC PWRCELL XVT076A03 (7.6KW)
AC POWER OUTPUT (LOADS/GRID)	7600VA
AC POWER OUTPUT (BACKUP)	8000VA
NOMINAL OUTPUT VOLTAGE	240 VAC
MAX OUTPUT CURRENT @240V (LOADS/GRID)	32A
MAX OUTPUT CURRENT @240V (BACKUP)	50A
NOMINAL DC INPUT VOLTAGE	380Vdc
MAX DC INPUT VOLTAGE	420Vdc
CEC WEIGHTED EFFICIENCY	96.5%
MAX DC POWER (PV)	10000W
MAX INPUT CURRENT (PV)	20Adc
CONT. PEAK POWER (BATTERY)	8000W

SERIES SUB STRING OPTIMIZER SPECIFICATIONS	
MANUFACTURER / MODEL #	PV LINK S2502
RATED POWER	2500W
MPPT VOLTAGE RANGE	60-360 Vmp
MAXIMUM INPUT VOLTAGE	420Voc
MAXIMUM OUTPUT	420 Adc
NOMINAL OUTPUT	380 Vdc
MAXIMUM OUTPUT CURRENT	8 A
MAXIMUM SHORT CIRCUIT CURRENT	18 A

BATTERY SPECIFICATIONS	
MANUFACTURER / MODEL #	GENERAC PWRCELL 9 BATTERY
USABLE ENERGY	8.6kWH
RATED CONTINUOUS POWER	3.4kW
POWER: 60 MINUTES	4.2kW
POWER: 2 MINUTES	5.0kW
REBUS VOLTAGE: INPUT/ OUTPUT	360-420Vdc
MODULE VOLTAGE	46.8Vdc
ROUND-TRIP EFFICIENCY	96.5%

ELECTRICAL NOTES

- 1.) ALL EQUIPMENT TO BE LISTED BY UL OR OTHER NRTL, AND LABELED FOR ITS APPLICATION.
- 2.) ALL CONDUCTORS SHALL BE COPPER, RATED FOR 600 V AND 90 DEGREE C WET ENVIRONMENT.
- 3.) WIRING, CONDUIT, AND RACEWAYS MOUNTED ON ROOFTOPS SHALL BE ROUTED DIRECTLY TO, AND LOCATED AS CLOSE AS POSSIBLE TO THE NEAREST RIDGE, HIP, OR VALLEY.
- 4.) WORKING CLEARANCES AROUND ALL NEW AND EXISTING ELECTRICAL EQUIPMENT SHALL COMPLY WITH NEC 110.26.
- 5.) DRAWINGS INDICATE THE GENERAL ARRANGEMENT OF SYSTEMS. CONTRACTOR SHALL FURNISH ALL NECESSARY OUTLETS, SUPPORTS, FITTINGS AND ACCESSORIES TO FULFILL APPLICABLE CODES AND STANDARDS.
- 6.) WHERE SIZES OF JUNCTION BOXES, RACEWAYS, AND CONDUITS ARE NOT SPECIFIED, THE CONTRACTOR SHALL SIZE THEM ACCORDINGLY.
- 7.) ALL WIRE TERMINATIONS SHALL BE APPROPRIATELY LABELED AND READILY VISIBLE.
- 8.) MODULE GROUNDING CLIPS TO BE INSTALLED BETWEEN MODULE FRAME AND MODULE SUPPORT RAIL, PER THE GROUNDING CLIP MANUFACTURER'S INSTRUCTION.
- 9.) MODULE SUPPORT RAIL TO BE BONDED TO CONTINUOUS COPPER G.E.C. VIA WEEB LUG OR ILSCO GBL-4DBT LAY-IN LUG.
- 10.) THE POLARITY OF THE GROUNDED CONDUCTORS IS NEGATIVE

AMBIENT TEMPERATURE SPECS	
RECORD LOW TEMP	-19°
AMBIENT TEMP (HIGH TEMP 2%)	34°
CONDUIT HEIGHT	0.5"
ROOF TOP TEMP	56°

DC CONDUCTOR AMPACITY CALCULATIONS: PV LINK OPTIMIZER TO JUNCTION BOX:

EXPECTED WIRE TEMP (In Celsius)	56°
TEMP. CORRECTION PER NEC TABLE 310.15 (B)(2)(a)	0.71
NO. OF CURRENT CARRYING CONDUCTORS	8
CONDUIT FILL CORRECTION PER NEC TABLE 310.15(B)(3)(a)	0.7
CIRCUIT CONDUCTOR SIZE	10 AWG
CIRCUIT CONDUCTOR AMPACITY PER NEC TABLE 310.15(B)(16)	40A

REQUIRED CIRCUIT CONDUCTOR AMPACITY PER NEC 690.8(A&B)	10A
1.25 X I _{max}	
DERATED AMPACITY OF CIRCUIT CONDUCTOR	
TEMP. CORRECTION PER TABLE 310.15 (B)(2)(a) X CONDUIT FILL CORRECTION PER NEC 310.15(B)(3)(a) X CIRCUIT CONDUCTOR AMPACITY 310.15 (B)(16)	19.88A
Result should be greater than (10A) otherwise less the entry for circuit conductor size and ampacity	

FROM JUNCTION BOX TO INVERTER:

EXPECTED WIRE TEMP (In Celsius)	56°
TEMP. CORRECTION PER NEC TABLE 310.15 (B)(2)(a)	0.71
NO. OF CURRENT CARRYING CONDUCTORS	4
CONDUIT FILL CORRECTION PER NEC TABLE 310.15(B)(3)(a)	0.8
CIRCUIT CONDUCTOR SIZE	10 AWG
CIRCUIT CONDUCTOR AMPACITY PER NEC TABLE 310.15(B)(16)	40A

REQUIRED CIRCUIT CONDUCTOR AMPACITY PER NEC 690.8(A&B)	20A
1.25 X I _{max} X # of PV LINKS	
DERATED AMPACITY OF CIRCUIT CONDUCTOR	
TEMP. CORRECTION PER TABLE 310.15 (B)(2)(a) X CONDUIT FILL CORRECTION PER NEC 310.15(B)(3)(a) X CIRCUIT CONDUCTOR AMPACITY 310.15 (B)(16)	22.72A
Result should be greater than (20A) otherwise less the entry for circuit conductor size and ampacity	

FROM BATTERY TO INVERTER:

EXPECTED WIRE TEMP (In Celsius)	34°
TEMP. CORRECTION PER NEC TABLE 310.15 (B)(2)(a)	0.96
NO. OF CURRENT CARRYING CONDUCTORS	2
CONDUIT FILL CORRECTION PER NEC TABLE 310.15(B)(3)(a)	1
CIRCUIT CONDUCTOR SIZE	10 AWG
CIRCUIT CONDUCTOR AMPACITY PER NEC TABLE 310.15(B)(16)	40A

REQUIRED CIRCUIT CONDUCTOR AMPACITY PER NEC 690.8(A&B)	26.25A
1.25 X I _{max}	
DERATED AMPACITY OF CIRCUIT CONDUCTOR	
TEMP. CORRECTION PER TABLE 310.15 (B)(2)(a) X CONDUIT FILL CORRECTION PER NEC 310.15(B)(3)(a) X CIRCUIT CONDUCTOR AMPACITY 310.15 (B)(16)	38.40A
Result should be greater than (26.25A) otherwise less the entry for circuit conductor size and ampacity	

AC CONDUCTOR AMPACITY CALCULATIONS: FROM INVERTER TO BACK-UP PANEL:

No. OF INVERTER	1
EXPECTED WIRE TEMP (In Celsius)	34°
TEMP. CORRECTION PER NEC TABLE 310.15(B)(2)(a)	0.96
NO. OF CURRENT CARRYING CONDUCTORS	3
CONDUIT FILL CORRECTION PER NEC TABLE 310.15(B)(3)(a)	1
CIRCUIT CONDUCTOR SIZE	6 AWG
CIRCUIT CONDUCTOR AMPACITY PER NEC TABLE 310.15(B)(16)	75A

REQUIRED CIRCUIT CONDUCTOR AMPACITY PER NEC 690.8(A&B)	42.5A
1.25 X INVERTER OUTPUT CURRENT (BACKUP POWER)	
DERATED AMPACITY OF CIRCUIT CONDUCTOR	
TEMP. CORRECTION PER TABLE 310.15 (B)(2)(a) X CONDUIT FILL CORRECTION PER NEC 310.15(B)(3)(a) X CIRCUIT CONDUCTOR AMPACITY 310.15 (B)(16)	72A
Result should be greater than (42.5A) otherwise less the entry for circuit conductor size and ampacity	

AC CONDUCTOR AMPACITY CALCULATIONS: FROM INVERTER TO MEP:

No. OF INVERTER	1
EXPECTED WIRE TEMP (In Celsius)	34°
TEMP. CORRECTION PER NEC TABLE 310.15(B)(2)(a)	0.96
NO. OF CURRENT CARRYING CONDUCTORS	3
CONDUIT FILL CORRECTION PER NEC TABLE 310.15(B)(3)(a)	1
CIRCUIT CONDUCTOR SIZE	6 AWG
CIRCUIT CONDUCTOR AMPACITY PER NEC TABLE 310.15(B)(16)	75A

REQUIRED CIRCUIT CONDUCTOR AMPACITY PER NEC 690.8(A&B)	40A
1.25 X MAX INVERTER OUTPUT CURRENT (LOADS/GRID)	
DERATED AMPACITY OF CIRCUIT CONDUCTOR	
TEMP. CORRECTION PER TABLE 310.15 (B)(2)(a) X CONDUIT FILL CORRECTION PER NEC 310.15(B)(3)(a) X CIRCUIT CONDUCTOR AMPACITY 310.15 (B)(16)	72A
Result should be greater than (40A) otherwise less the entry for circuit conductor size and ampacity	



REVISIONS		
DESCRIPTION	DATE	REV

Signature with Seal

DATE: 7/22/2021

PROJECT NAME & ADDRESS

ROBINSON IRAM LOPEZ VELASQUEZ
RESIDENCE
225 BERNARD STREET,
SPRING LAKE, NC 28390

SHEET NAME
**WIRING
CALCULATIONS**

SHEET SIZE
**ANSI B
11" X 17"**

SHEET NUMBER
PV-5

powered by
Q.ANTUM DUO

Q.PEAK DUO BLK-G6+

330-345

ENDURING HIGH PERFORMANCE



Q.ANTUM TECHNOLOGY: LOW LEVELIZED COST OF ELECTRICITY

Higher yield per surface area, lower BOS costs, higher power classes, and an efficiency rate of up to 19.5%.



INNOVATIVE ALL-WEATHER TECHNOLOGY

Optimal yields, whatever the weather with excellent low-light and temperature behavior.



ENDURING HIGH PERFORMANCE

Long-term yield security with Anti LID and Anti PID Technology¹, Hot-Spot Protect and Traceable Quality Tra.Q™.



EXTREME WEATHER RATING

High-tech aluminum alloy frame, certified for high snow (5400 Pa) and wind loads (4000 Pa).



A RELIABLE INVESTMENT

Inclusive 25-year product warranty and 25-year linear performance warranty².



STATE OF THE ART MODULE TECHNOLOGY

Q.ANTUM DUO combines cutting edge cell separation and innovative wiring with Q.ANTUM Technology.

¹ APT test conditions according to IEC/TS 62804-1:2015, method B (-1500V, 168h)
² See data sheet on rear for further information

THE IDEAL SOLUTION FOR:

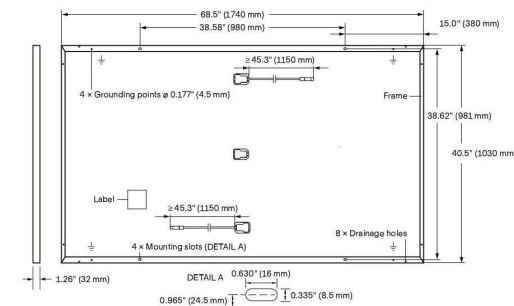


Engineered in Germany



Format	68.5 × 40.6 × 1.26 in (including frame) (1740 × 1030 × 32 mm)
Weight	43.9 lbs (19.9 kg)
Front Cover	0.13 in (3.2 mm) thermally pre-stressed glass with anti-reflection technology
Back Cover	Composite film
Frame	Black anodized aluminum
Cell	6 × 20 monocrystalline Q.ANTUM solar half cells
Junction Box	2.09-3.98 × 1.26-2.36 × 0.59-0.71 in (53-101 × 32-60 × 15-18 mm), Protection class IP67, with bypass diodes
Cable	4 mm ² Solar cable; (+) ≥ 45.3 in (1150 mm), (-) ≥ 45.3 in (1150 mm)
Connector	Stäubli MC4; IP68

MECHANICAL SPECIFICATION

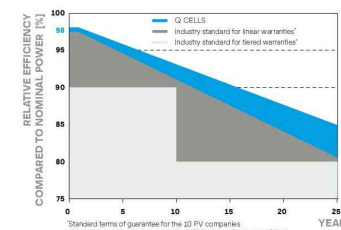


ELECTRICAL CHARACTERISTICS

POWER CLASS		330	335	340	345
MINIMUM PERFORMANCE AT STANDARD TEST CONDITIONS, STC ¹ (POWER TOLERANCE +5 W / -0 W)					
Power at MPP ¹	P _{MPP} [W]	330	335	340	345
Short Circuit Current ¹	I _{SC} [A]	10.41	10.47	10.52	10.58
Open Circuit Voltage ¹	V _{OC} [V]	40.15	40.41	40.66	40.92
Current at MPP	I _{MPP} [A]	9.91	9.97	10.02	10.07
Voltage at MPP	V _{MPP} [V]	33.29	33.62	33.94	34.25
Efficiency ¹	η [%]	≥ 18.4	≥ 18.7	≥ 19.0	≥ 19.3
MINIMUM PERFORMANCE AT NORMAL OPERATING CONDITIONS, NMOT ²					
Power at MPP	P _{MPP} [W]	247.0	250.7	254.5	258.2
Short Circuit Current	I _{SC} [A]	8.39	8.43	8.48	8.52
Open Circuit Voltage	V _{OC} [V]	37.86	38.10	38.34	38.59
Current at MPP	I _{MPP} [A]	7.80	7.84	7.89	7.93
Voltage at MPP	V _{MPP} [V]	31.66	31.97	32.27	32.57

¹ Measurement tolerances P_{MPP} ± 3%; I_{SC}; V_{OC} ± 5% at STC: 1000 W/m², 25 ± 2°C, AM 1.5 according to IEC 60904-3 • 2800 W/m², NMOT, spectrum AM 1.5

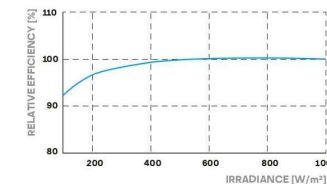
Q CELLS PERFORMANCE WARRANTY



At least 98% of nominal power during first year. Thereafter max. 0.54% degradation per year. At least 93.1% of nominal power up to 10 years. At least 85% of nominal power up to 25 years.

All data within measurement tolerances. Full warranties in accordance with the warranty terms of the Q CELLS sales organization of your respective country.

PERFORMANCE AT LOW IRRADIANCE



Typical module performance under low irradiance conditions in comparison to STC conditions (25°C, 1000 W/m²)

TEMPERATURE COEFFICIENTS

Temperature Coefficient of I _{SC}	α [%/K]	+0.04	Temperature Coefficient of V _{OC}	β [%/K]	-0.27
Temperature Coefficient of P _{MPP}	γ [%/K]	-0.36	Nominal Module Operating Temperature	NMOT [°F]	109 ± 5.4 (43 ± 3°C)

PROPERTIES FOR SYSTEM DESIGN

Maximum System Voltage V _{sys}	[V]	1000 (IEC) / 1000 (UL)	PV module classification	Class II
Maximum Series Fuse Rating	[A DC]	20	Fire Rating based on ANSI / UL 61730	TYPE 2
Max. Design Load, Push / Pull ³	[lbs / ft ²]	75 (3600 Pa) / 55 (2667 Pa)	Permitted Module Temperature on Continuous Duty	-40 °F up to +185 °F (-40 °C up to +85 °C)
Max. Test Load, Push / Pull ³	[lbs / ft ²]	113 (5400 Pa) / 84 (4000 Pa)		

³ See Installation Manual

QUALIFICATIONS AND CERTIFICATES

UL 61730, CE-compliant, IEC 61215:2016, IEC 61730:2016, U.S. Patent No. 9,893,215 (solar cells)



PACKAGING INFORMATION

	70.1 in	42.5 in	47.6 in	1485 lbs	28	26	32
Horizontal packaging	1780 mm	1080 mm	1208 mm	674 kg	pallets	pallets	modules
Vertical packaging	71.5 in	45.3 in	48.0 in	1514 lbs	28	24	32
	1815 mm	1150 mm	1220 mm	687 kg	pallets	pallets	modules

Note: Installation instructions must be followed. See the installation and operating manual or contact our technical service department for further information on approved installation and use of this product. Q CELLS supplies solar modules in two different stacking methods, depending on the location of manufacture (modules are packed horizontally or vertically). You can find more detailed information in the document "Packaging and Transport Information", available from Q CELLS.

Hanwha Q CELLS America Inc.
400 Spectrum Center Drive, Suite 1400, Irvine, CA 92618, USA | TEL +1 949 748 59 96 | EMAIL inquiry@us.q-cells.com | WEB www.q-cells.us



POWER HOME SOLAR, LLC
"POWER YOUR FUTURE"
919 N. MAIN ST.
MOORESVILLE, NC 28115
Phone: 704-800-6591 (OFFICE)
Email: info@powerhome.com
Web: www.powerhome.com

REVISIONS

DESCRIPTION	DATE	REV

Signature with Seal

DATE: 7/22/2021

PROJECT NAME & ADDRESS

ROBINSON IRAM LOPEZ VELASQUEZ
RESIDENCE
225 BERNARD STREET,
SPRING LAKE, NC 28390

Specifications subject to technical changes © Q CELLS Q.PEAK DUO BLK-G6+ DA_330-345_2020-07_Rev05_NA

SHEET NAME
EQUIPMENT SPECIFICATION

SHEET SIZE

**ANSI B
11" X 17"**

SHEET NUMBER

PV-6

GENERAC

SnapRS™

Inline Disconnect Switch
Model #: RS801 (Ordering SKU: APKE00011)



Generac SnapRS are a simple way to satisfy rapid shutdown compliance for solar + storage systems. Generac SnapRS are 2017/2020 NEC 690.12 compliant, don't require any extra hardware to mount, and need no pairing or fussy digital communications.

FEATURES & BENEFITS

- Fast, easy, and simple to install
- One SnapRS device per PV module
- Achieves PVRSS Compliance
- Low cost, high efficiency solution

SYSTEM DESIGN

Snap a Generac SnapRS disconnect device (RS) to the negative lead (-) of each module in the solar array for simple module-level rapid shutdown compliance. SnapRS devices isolate array voltage when a rapid shutdown is initiated at a PWRcell™ Inverter. When rapid shutdown is initiated, SnapRS units isolate each PV module in the array, reducing array voltage to <80V in seconds.

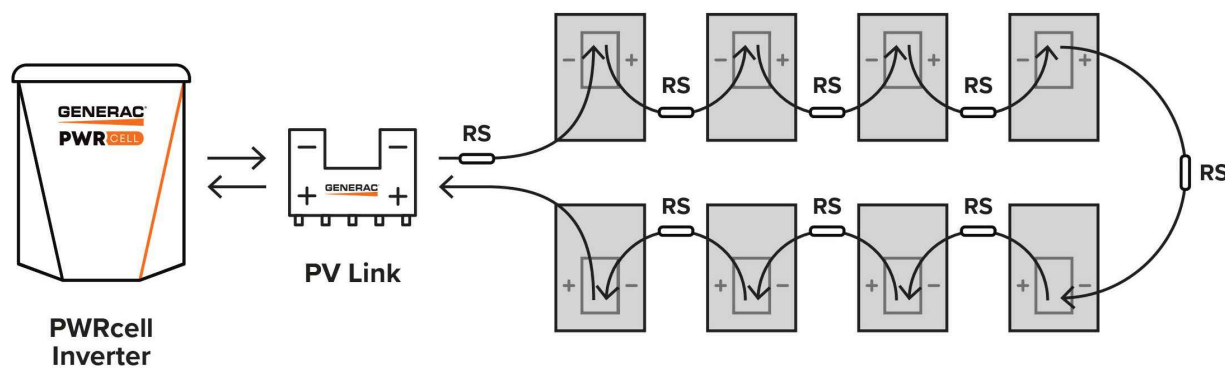


Diagram is applicable for most 60 cell PV modules. Modules with higher cell count may require a different arrangement. Contact Generac for more details.

Specifications

SnapRS™ (APKE00011)

PV MODULE MAX VOC:	75 V
EFFICIENCY:	99.8%*
MAX INPUT CURRENT:	13 A
MAX TOTAL QTY IN SUBSTRING:	10
SHUTDOWN TIME:	<10 Seconds
ENCLOSURE RATING:	NEMA 6P
OPERATING TEMPERATURE - FAHRENHEIT (CELSIUS):	-40 to 158 °F (-40 to 70 °C)
CERTIFICATIONS:	UL1741
PROTECTIONS:	PVRSE
WEIGHT - LB (KG):	0.17 (0.08)
DIMENSIONS, L x W x H - IN (MM):	7" x 1" x 1" (177.8 x 25.4 x 25.4)
WARRANTY:	25 Years

*When used with a 50V panel

Connect one SnapRS device to the negative lead of each PV module in the PV Link controlled array for complete PV Rapid shutdown performance



Generac Power Systems, Inc.
S45 W29290 Hwy. 59, Waukesha, WI 53189
www.Generac.com | 888-GENERAC (436-3722)
A0000528183 REV D

©2020 Generac Power Systems. All rights reserved.
Specifications are subject to change without notice.

GENERAC



POWER HOME SOLAR, LLC
"POWER YOUR FUTURE"
919 N. MAIN ST.
MOORESVILLE, NC 28115
Phone: 704-800-6591 (OFFICE)
Email: info@powerhome.com
Web: www.powerhome.com

REVISIONS

DESCRIPTION	DATE	REV

Signature with Seal

DATE: 7/22/2021

PROJECT NAME & ADDRESS

ROBINSON IRAM LOPEZ VELASQUEZ
RESIDENCE
225 BERNARD STREET,
SPRING LAKE, NC 28390

SHEET NAME
**EQUIPMENT
SPECIFICATION**

SHEET SIZE

**ANSI B
11" X 17"**

SHEET NUMBER

PV-7

GENERAC[®]

PWRCELL

7.6kW 1Ø PWRcell Inverter with CTs
Model #: XVT076A03

11.4 kW 3Ø PWRcell Inverter with CTs
Model #: X11402 (Ordering SKU: APKE00013)



Solar + storage is simple with the Generac PWRcell™ Inverter. This bi-directional, REbus™-powered inverter offers a simple, efficient design for integrating smart batteries with solar. Ideal for self-supply, backup power, zero-export and energy cost management, the PWRcell Inverter is the industry's most feature-rich line of inverters, available in single-phase and three-phase models.

FEATURES & BENEFITS

- Single inverter for grid-tied solar with smart battery integration
- Simplified system design: No autotransformer or battery inverter needed
- User-selectable modes for backup power, self-supply, time-of-use, zero-import and export limiting
- Free system monitoring included via PWRview™ Web Portal and Mobile App

AC OUTPUT/GRID-TIE	MODEL XVT076A03	MODEL X11402
CONT. GRID-TIED AC POWER @ 50°C (122°F):	7600 W	11400 W
AC OUTPUT VOLTAGE:	120/240, 1Ø VAC	120/208, 3Ø VAC
AC FREQUENCY:	60 Hz	
MAXIMUM CONTINUOUS OUTPUT CURRENT:	32 A, RMS	
GROUND-FAULT ISOLATION DETECTION:	Included	
CHARGE BATTERY FROM AC:	Yes	
THD (CURRENT):	< 2%	
TYPICAL NIGHTTIME POWER CONSUMPTION ¹ :	< 7 W	

DC INPUT	MODEL XVT076A03	MODEL X11402
DC INPUT VOLTAGE RANGE:	360-420 VDC	
NOMINAL DC BUS VOLTAGE:	380 VDC	
DC DISTRIBUTION INPUT BREAKERS:	4 x 2P30 A	
MAX INPUT CURRENT PER DC INPUT:	30 A	
REVERSE-POLARITY PROTECTION:	Yes	
TRANSFORMERLESS, UNGROUNDED:	Yes	
DC BUS EXPORT FUSES (+/-):	40 A	
2-POLE DISCONNECTION:	Yes	

AC OUTPUT/ISLAND MODE	MODEL XVT076A03	MODEL X11402
MAX. CONT. AC POWER WHILE IN ISLAND MODE WITHOUT AN EXTERNAL TRANSFER SWITCH ² :	7600 W	
MAX. CONT. AC POWER WHILE IN ISLAND MODE W/ EXTERNAL TRANSFER SWITCH AND 2 BATTERY CABINETS (8 MODULES MINIMUM) ³ :	9000 W	
MAX. CONT. AC POWER WHILE IN ISLAND MODE W/ EXTERNAL TRANSFER SWITCH AND 2 BATTERY CABINETS (8 MODULES MINIMUM) ⁴ :	11000 W	9600 W-11000 W*
PEAK MOTOR STARTING CURRENT (2 SEC):	50 A, RMS	
AC BACKUP OUTPUT VOLTAGE:	120/240, 1Ø VAC	120/208, 1Ø VAC
AC FREQUENCY:	60 Hz	
THD (VOLTAGE):	< 2%	
ALLOWABLE SPLIT PHASE IMBALANCE:	Up to 30%	

EFFICIENCY	MODEL XVT076A03	MODEL X11402
PEAK EFFICIENCY:	97.3%	97.7%
CEC WEIGHTED EFFICIENCY:	96.5%	97.5%

¹Nighttime power consumption depends on the system mode
²In Island Mode, continuous power output is restricted to 7.6kW unless backup power is routed through an external transfer switch in a whole home backup application.
³Peak performance, values provided for 40°C (104°F).
⁴In Island mode X11402 protected loads only supply 2 phases 120 VAC L-N, 208 L-L which results in lower power than in a grid tied 3 phase state. The low value of the range is for full L-L loading while high value of the range is full L-N loading

Specifications

FEATURES AND MODES	
ISLAND MODE ⁴ :	Yes
GRID SELL:	Yes
SELF CONSUMPTION:	Yes
PRIORITIZED CHARGING FROM RENEWABLES:	Yes
GRID SUPPORT - ZERO EXPORT:	Yes
ESS PCS OPERATION MODES (IMPORT ONLY, EXPORT ONLY):	Yes

ADDITIONAL FEATURES	
SUPPORTED COMMUNICATION INTERFACES:	REbus™, CANbus, Ethernet
SYSTEM MONITORING:	PWRview™ Web Portal and Mobile App
BACKUP LOADS DISCONNECT ⁵ :	Yes, 50 A Circuit Breaker
INVERTER BYPASS SWITCH:	Automatic
WARRANTY:	10 Years

STANDARDS COMPLIANCE	
SAFETY:	UL 1741 SA, CSA 22.2 #107.1, UL 1998
GRID CONNECTION STANDARDS:	IEEE 1547, Rule 21, Rule 14H (HECO V1.1), CSIP, UL 1741 PCS CRD (Import Only, Export Only)
EMISSIONS:	FCC Part 15 Class B

DIMENSIONS AND INSTALLATION SPECIFICATIONS		
ENCLOSURE KNOCKOUTS - QTY, SIZE - IN (MM):	6 x Combo 3/4" x 1" (19 x 25.4) 7 x Combo 1/2" x 3/4" (12.7 x 19)	1 x 0.575" exclusively for optional LTE antenna mounting
DIMENSIONS L x W x H - IN (MM):	24.5" x 19.25" x 8" (622.3 x 488.9 x 203.2)	
WEIGHT - LB (KG):	62.7 (28.4)	
COOLING:	Forced convection	
AUDIBLE NOISE:	< 40 dBA	
OPERATING TEMPERATURE:	-4 to 122 °F (-20 to 50 °C) ⁵	
ENCLOSURE TYPE:	Type 3R	

INSTALLATION GUIDELINES	
BATTERY TYPES SUPPORTED:	PWRcell™ Battery
MODULE SUBSTRING SIZE PER PV LINK OPTIMIZER:	Varies, refer to PV Link Installation Manual
MAXIMUM RECOMMENDED DC POWER FROM PV ⁶ :	10 kW (1Ø), 15 kW (3Ø)

⁴3Ø inverters offer backup for [single phase] 208 V loads.
⁵Includes ambient temperature rising from inverter operation. Reduced power at extreme temperatures.
⁶Values provided for PV-only or small storage systems. Additional PV power is permissible if sufficient battery storage capacity is installed.

Generac Power Systems, Inc.
 S45 W29290 Hwy. 59, Waukesha, WI 53189
www.Generac.com | 888-GENERAC (436-3722)
 A0000909057 REV D

©2021 Generac Power Systems. All rights reserved.
 Specifications are subject to change without notice.



REVISIONS		
DESCRIPTION	DATE	REV

Signature with Seal

DATE: 7/22/2021

PROJECT NAME & ADDRESS

ROBINSON IRAM LOPEZ VELASQUEZ
 RESIDENCE
 225 BERNARD STREET,
 SPRING LAKE, NC 28390

SHEET NAME
EQUIPMENT SPECIFICATION

SHEET SIZE
**ANSI B
 11" X 17"**

SHEET NUMBER
PV-8

GENERAC

PWRCELL

PWRcell Battery Cabinet (Ordering SKU: APKE00007)
 2.85kWh PWRcell Battery Module
 Model #: BJ-DCB05ZKAX (Ordering SKU: A0000391219)
 PWRcell Battery Configuration Model #s:
 PWRcell 9, PWRcell 12, PWRcell 15, PWRcell 17
 PWRcell Spacer Kit (Ordering SKU: APKE00008)
 PWRcell Upgrade Kit (Ordering SKU: APKE00009)

The PWRcell™ Battery Cabinet is a modular smart battery platform that allows for a range of configurations to suit any need, small or large. No other smart battery offers the power and flexibility of PWRcell. Whether for backup power or smart energy management, PWRcell has power and capacity options for every need, without sacrificing flexibility or function.



Specifications

PWRcell™ BATTERY CONFIGURATIONS	9	12	15	17
BATTERY MODULES:	3	4	5	6
USABLE ENERGY:	8.6kWh	11.4kWh	14.3kWh	17.1kWh
POWER - RATED CONTINUOUS:	3.4kW	4.5kW	5.6kW	6.7kW
POWER - 60 MINUTES:	4.2kW	5.6kW	7.0kW	8.4kW
POWER - 2 MINUTES:	5.0kW	6.7kW	8.4kW	10.0kW
REBus™ VOLTAGE - INPUT/OUTPUT:	360-420 VDC			
MODULE VOLTAGE:	46.8 VDC			
ROUND-TRIP EFFICIENCY:	96.50%			
OPERATING TEMPERATURE - FAHRENHEIT (CELSIUS):	41 to 113 °F (5 to 45 °C)			
RECOMMENDED AMBIENT TEMPERATURE - FAHRENHEIT (CELSIUS):	55 to 86 °F (13 to 30 °C)			
MAXIMUM INSTALLATION ALTITUDE - FT (M):	9834 (3000)			
DIMENSIONS, L x W x H - IN (MM):	22" x 10" x 68" (559 x 254 x 1727)			
WEIGHT, ENCLOSURE - LB (KG):	115 (52)			
WEIGHT, INSTALLED - LB (KG):	280 (127)	335 (152)	390 (178)	445 (202)
WARRANTY - LI-ION MODULES:	10 Years, (7.56MWh)			
WARRANTY - ELECTRONICS AND ENCLOSURE:	10 Years			
COMMUNICATION PROTOCOL:	REBus™ DC Nanogrid™			
COMPLIANCE:	UL 9540, UL 1973, UL 1642, CSA 22.2			

PWRcell BATTERY CABINET DESIGN

The PWRcell Battery Cabinet allows system owners the flexibility to scale from the economical 8.6kWh PWRcell 9 to the massive 17.1kWh PWRcell 17 by installing additional battery modules to the PWRcell Battery Cabinet. When needs change, an existing PWRcell Battery Cabinet can be upgraded with additional modules. Use the graphic below and the chart on the back of this sheet to understand what components you need for your chosen PWRcell configuration.

FEATURES & BENEFITS

- Connect 2 PWRcell Battery Cabinets to a single PWRcell Inverter for 34.2kWh of storage
- Best-in-class battery backup power
- Plug-and-play with PWRcell Inverter and PV Link™
- Time-of-use (TOU) and zero-export ready
- Residential and commercial application ready

UPGRADING PWRcell

Inside of the PWRcell Battery Cabinet, battery modules are stacked two deep on three levels, allowing for up to six modules to be connected in series. You can upgrade an existing PWRcell Battery Cabinet by adding Battery Modules and a Module Spacer (APKE00008) if required. PWRcell 9 and PWRcell 15 require a module spacer.

Generac offers a convenient PWRcell Battery Upgrade Kit (APKE00009) to help replace lost or misplaced hardware. A PWRcell Battery Upgrade Kit may be purchased from your Generac distributor.

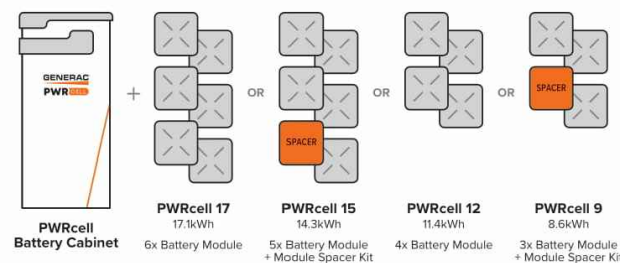
Refer to the table to the right for material requirements related to upgrading the PWRcell Battery Cabinet.

UPGRADE MATERIAL REQUIREMENTS

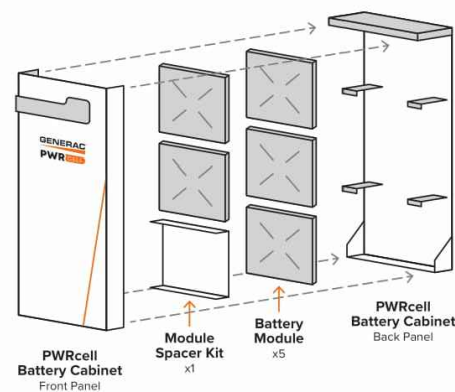
STARTING CONFIGURATION	ENDING CONFIGURATION		
	PWRcell 17	PWRcell 15	PWRcell 12
PWRcell 9	+ 3 x PWRCell Mod + 2 x APKE00009*	+ 2 x PWRCell Mod + 1 x APKE00009*	+ 1 x PWRCell Mod + 1 x APKE00009*
PWRcell 12	+ 2 x PWRCell Mod + 1 x APKE00009*	+ 1 x PWRCell Mod + 1 x APKE00008	
PWRcell 15	+ 1 x PWRCell Mod + 1 x APKE00009*		

*APKE00009 (Upgrade kit) only required if original hardware is unavailable

BATTERY CONFIGURATION GUIDE



BATTERY CABINET ASSEMBLY



Generac Power Systems, Inc.
 S45 W29290 Hwy. 59, Waukesha, WI 53189
www.Generac.com | 888-GENERAC (436-3722)

A0000528139 REV D

©2020 Generac Power Systems. All rights reserved.
 Specifications are subject to change without notice.



POWER HOME SOLAR, LLC
 "POWER YOUR FUTURE"
 919 N. MAIN ST.
 MOORESVILLE, NC 28115
 Phone: 704-800-6591 (OFFICE)
 Email: info@powerhome.com
 Web: www.powerhome.com

REVISIONS

DESCRIPTION	DATE	REV

Signature with Seal

DATE: 7/22/2021

PROJECT NAME & ADDRESS

ROBINSON IRAM LOPEZ VELASQUEZ
 RESIDENCE
 225 BERNARD STREET,
 SPRING LAKE, NC 28390

SHEET NAME
EQUIPMENT SPECIFICATION

SHEET SIZE

**ANSI B
 11" X 17"**

SHEET NUMBER

PV-9

GENERAC

PV Link™

2500W MPPT Substring Optimizer
Model #: S2502 (Ordering SKU: APKE00010)

PV Link is the simple solar optimizer for quick installation and long-lasting performance. Connect PV modules to each PV Link to overcome shading and challenging roof lines.

FEATURES & BENEFITS

- Fast, simple installation
- Lower failure risk than module-level optimizers
- 2017/2020 NEC rapid shutdown compliant with SnapRS™
- Quick connections with MC4 connectors
- Exports up to 2500W
- Compatible with PWRcell™ Inverters
- Cost-effective solution for high-performance PV
- Ground-fault protection

SINGLE-STRING PV ARRAY WITH SnapRS DEVICES

Where PV module-level rapid shutdown is required (NEC 690.12), a SnapRS device (RS) is installed to negative (-) lead of each PV module.

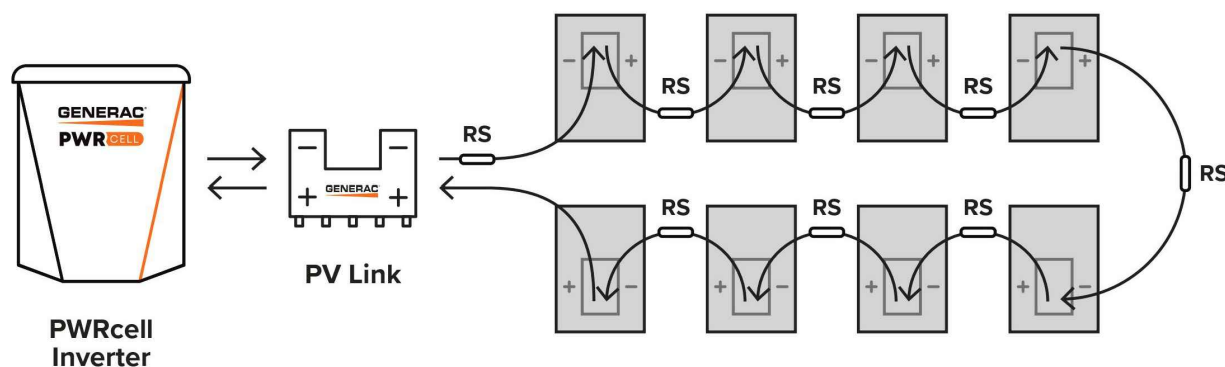


Diagram is applicable for most 60 cell PV modules. Modules with higher cell count may require a different arrangement. Contact Generac for more details.



Specifications

PV Link™ (APKE00010)	
RATED POWER*:	2500W
PEAK EFFICIENCY:	99%
MPPT VOLTAGE RANGE:	60-360 VMP
MAX INPUT VOLTAGE:	420 VOC; max when cold
MAX OUTPUT:	420 VOC
NOMINAL OUTPUT (REbus™):	380 VDC
MAX OUTPUT CURRENT (CONTINUOUS):	8 A
MAX OUTPUT CURRENT (FAULT):	10 A
MAX INPUT CURRENT (CONTINUOUS):	13 A @ 50°C, 10 A @ 70°C
MAX INPUT SHORT CIRCUIT CURRENT (ISC):	18 A
STANDBY POWER:	< 1 W
PROTECTIONS:	Ground-fault, Arc-fault (Arc-fault Type 1 AFCI, Integrated), PVRSE
MAX OPERATING TEMP: FAHRENHEIT (CELSIUS):	158 °F (70 °C)
SYSTEM MONITORING:	PWRview™ Web Portal and Mobile App
ENCLOSURE:	Type 4X
WEIGHT - LB (KG):	7.3 lb (3.3 kg)
DIMENSIONS, L x W x H - IN (MM):	15.4" x 2" x 9.6" (391.2 x 50.8 x 243.8)
COMPLIANCE:	UL 1741, CSA 22.2
WARRANTY:	25 Years

*PV Link can tolerate higher than rated power at its input if Max Input Voltage and Short Circuit Current specifications are not exceeded



Generac Power Systems, Inc.
S45 W29290 Hwy. 59, Waukesha, WI 53189
www.Generac.com | 888-GENERAC (436-3722)
A0000528162 REV D

©2020 Generac Power Systems. All rights reserved.
Specifications are subject to change without notice.

GENERAC



POWER HOME SOLAR, LLC
"POWER YOUR FUTURE"
919 N. MAIN ST.
MOORESVILLE, NC 28115
Phone: 704-800-6591 (OFFICE)
Email: info@powerhome.com
Web: www.powerhome.com

REVISIONS

DESCRIPTION	DATE	REV

Signature with Seal

DATE: 7/22/2021

PROJECT NAME & ADDRESS

ROBINSON IRAM LOPEZ VELASQUEZ
RESIDENCE
225 BERNARD STREET,
SPRING LAKE, NC 28390

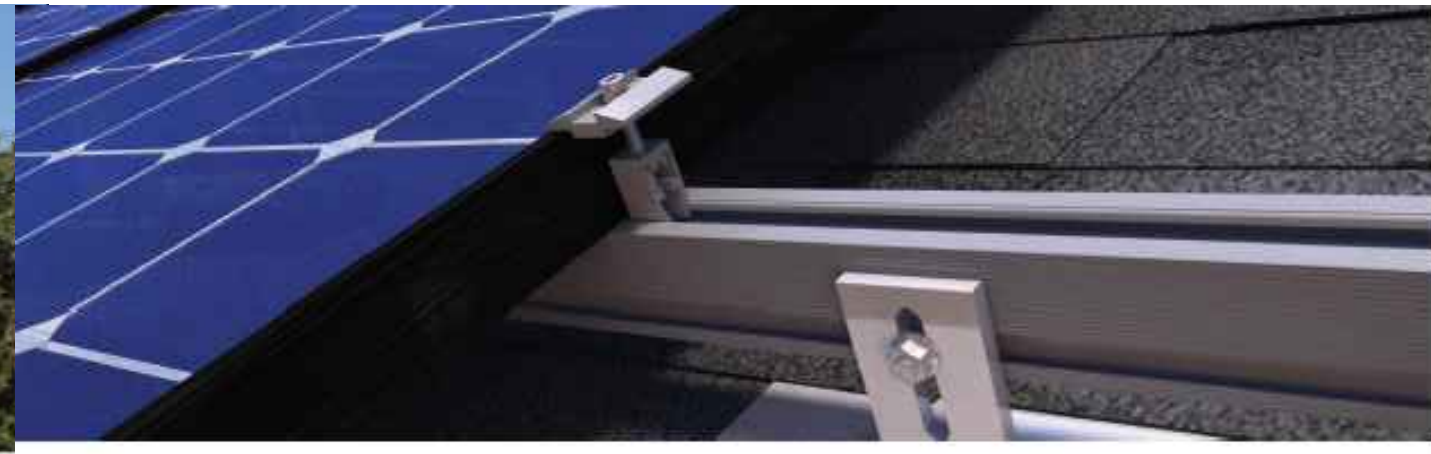
SHEET NAME
EQUIPMENT
SPECIFICATION

SHEET SIZE

ANSI B
11" X 17"

SHEET NUMBER

PV-10



QRail™ — Fully Integrated Mounting and Racking System

The QRail Series is a strong and versatile solar array mounting system that provides unrivaled benefits to solar designers and installers. Combined with Quick Mount PV's industry-leading waterproof mounts, QRail offers a complete racking solution for mounting solar modules on any roof.



Easily design array configurations with the QDesign software application. Generate complete engineering reports and calculate a precise bill of materials for all the mounting, racking and accessories needed for a complete solar array.

Comprehensive, One-Source Solution

QRail, together with Quick Mount PV's waterproof mounting products, provides the benefit of a single-sourced, seamlessly integrated rooftop installation that works with all roof types — composition/asphalt shingles, flat or curved tile, metal shingle, shake, slate and low slope roofs. The QRail system also works with any roof attachment system for maximum flexibility.

Superior Strength and Versatility

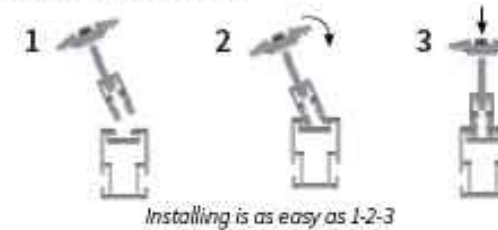
QRail is engineered for optimal structural performance. The system is certified to UL 2703, fully code compliant and backed by a 25-year warranty. QRail is available in Light, Standard and Heavy versions to match all geographic locations. QRail is compatible with virtually all modules and works on a wide range of pitched roof surfaces. Modules can be mounted in portrait or landscape orientation in standard or shared-rail configurations.



Fast, Simple Installation: It Just Clicks

QClick Technology™

The universal mid and end clamps use QClick technology to simply "click" into the rail channel and remain upright, ready to accept the module. The pre-assembled clamps fit virtually all module frames and require no extra hardware, eliminating pre-loading and reducing installation time.



UNIVERSAL END CLAMP
2 clamps for modules from
30-45mm or 38-50mm thick



UNIVERSAL BONDED MID CLAMP
2 clamps for modules from
30-45mm or 38-50mm thick

QSplice™ Technology

QRail's innovative internal QSplice installs in seconds, requiring no tools or screws. Simply insert QSplice into the rail and slide the other rail on to create a fully structural, bonded splice. An external splice is also available.



Fully Integrated Electrical Bonding

The QRail system provides an integrated electrical bonding path, ensuring that all exposed metal parts and the solar module frames are electrically connected. All electrical bonds are created when the components are installed and tightened down.



POWER HOME SOLAR, LLC
"POWER YOUR FUTURE"
919 N. MAIN ST.
MOORESVILLE, NC 28115
Phone: 704-800-6591 (OFFICE)
Email: info@powerhome.com
Web: www.powerhome.com

REVISIONS

DESCRIPTION	DATE	REV

Signature with Seal

DATE: 7/22/2021

PROJECT NAME & ADDRESS

ROBINSON IRAM LOPEZ VELASQUEZ
RESIDENCE
225 BERNARD STREET,
SPRING LAKE, NC 28390

SHEET NAME

EQUIPMENT
SPECIFICATION

SHEET SIZE

ANSI B
11" X 17"

SHEET NUMBER

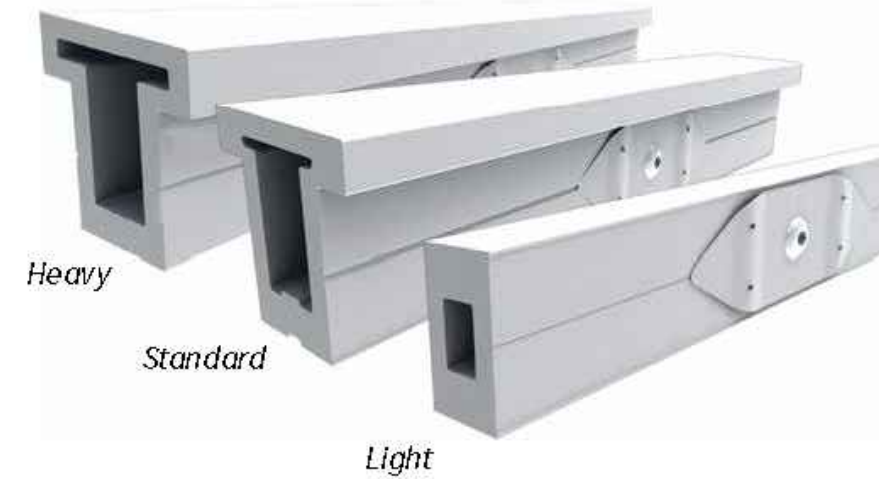
PV-11

QRail™ Configurations



Item Code	Part Number	Description	Finish
QMR-RL14 A 60	800	QRail Light, 14 ft., 60 Pack	Mill
QMR-RL17.3 A 60	801	QRail Light, 17.3 ft., 60 Pack	Mill
QMR-RL14 B 60	805	QRail Light, 14 ft., 60 Pack	Black
QMR-RL17.3 B 60	806	QRail Light, 17.3 ft., 60 Pack	Black
QMR-RS14 A 60	810	QRail Standard, 14 ft., 60 Pack	Mill
QMR-RS17.3 A 60	811	QRail Standard, 17.3 ft., 60 Pack	Mill
QMR-RS14 B 60	815	QRail Standard, 14 ft., 60 Pack	Black
QMR-RS17.3 B 60	816	QRail Standard, 17.3 ft., 60 Pack	Black
QMR-RH14 A 60	820	QRail Heavy, 14 ft., 60 Pack	Mill
QMR-RH17.3 A 60	821	QRail Heavy, 17.3 ft., 60 Pack	Mill
QMR-RH14 B 60	825	QRail Heavy, 14 ft., 60 Pack	Black
QMR-RH17.3 B 60	826	QRail Heavy, 17.3 ft., 60 Pack	Black

QSplice™ Internal Structural Splice



Item Code	Part Number	Description	Finish
QMR-ISL A 15	830	QSplice Internal, Light, 15 Pack	Mill
QMR-ISS A 15	831	QSplice Internal, Standard, 15 Pack	Mill
QMR-ISH A 15	832	QSplice Internal, Heavy, 15 Pack	Mill

QSplice™ External Structural Splice



Item Code	Part Number	Description	Finish
QMR-ESS A 15	834	QSplice External, Standard, 15 Pack	Mill
QMR-ESH A 15	835	QSplice External, Heavy, 15 Pack	Mill



POWER HOME SOLAR, LLC
 "POWER YOUR FUTURE"
 919 N. MAIN ST.
 MOORESVILLE, NC 28115
 Phone: 704-800-6591 (OFFICE)
 Email: info@powerhome.com
 Web: www.powerhome.com

REVISIONS

DESCRIPTION	DATE	REV

Signature with Seal

DATE: 7/22/2021

PROJECT NAME & ADDRESS

ROBINSON IRAM LOPEZ VELASQUEZ
 RESIDENCE
 225 BERNARD STREET,
 SPRING LAKE, NC 28390

SHEET NAME

EQUIPMENT
 SPECIFICATION

SHEET SIZE

ANSI B
 11" X 17"

SHEET NUMBER

PV-11A

Universal End Clamp with QClick™ Technology



Black

Mill

Item Code	Part Number	Description	Finish
QMR-UEC3045 A 20	860	Universal End Clamp, 30-45mm, 20 Pack	Mill
QMR-UEC3850 A 20	861	Universal End Clamp, 38-50mm, 20 Pack	Mill
QMR-UEC3045 B 20	865	Universal End Clamp, 30-45mm, 20 Pack	Black
QMR-UEC3850 B 20	866	Universal End Clamp, 38-50mm, 20 Pack	Black
QMR-UEC3045BP A 20	862	Universal End Clamp, 30-45mm, w/ Bonding, 20 Pack	Mill
QMR-UEC3850BP A 20	863	Universal End Clamp, 38-50mm, w/ Bonding, 20 Pack	Mill
QMR-UEC3045BP B 20	867	Universal End Clamp, 30-45mm, w/ Bonding, 20 Pack	Black
QMR-UEC3850BP B 20	868	Universal End Clamp, 38-50mm, w/ Bonding, 20 Pack	Black

Mid Clamp with QClick™ Technology



Black

Mill

Item Code	Part Number	Description	Finish
QMR-UMC3045BP 1.2 A 20	872	Universal Mid Clamp, 30-45mm, w/ Bonding, 20 Pack	Mill
QMR-UMC3850BP 1.2 A 20	873	Universal Mid Clamp, 38-50mm, w/ Bonding, 20 Pack	Mill
QMR-UMC3045BP 1.2 B 20	877	Universal Mid Clamp, 30-45mm, w/ Bonding, 20 Pack	Black
QMR-UMC3850BP 1.2 B 20	878	Universal Mid Clamp, 38-50mm, w/ Bonding, 20 Pack	Black

Single-Slot L-Foot



Item Code	Part Number	Description	Finish
QMC-LF A 12	692	Single-slot L-foot, 12 Pack	Mill
QMC-LF B 12	693	Single-slot L-foot, 12 Pack	Black

End Caps



Heavy

Standard

Light

Item Code	Part Number	Description	Finish
QMR-CPL B 50	885	End Cap Light, 50 Pack	Black
QMR-CPS B 50	886	End Cap Standard, 50 Pack	Black
QMR-CPH B 50	887	End Cap Heavy, 50 Pack	Black



POWER HOME SOLAR, LLC
 "POWER YOUR FUTURE"
 919 N. MAIN ST.
 MOORESVILLE, NC 28115
 Phone: 704-800-6591 (OFFICE)
 Email: info@powerhome.com
 Web: www.powerhome.com

REVISIONS

DESCRIPTION	DATE	REV

Signature with Seal

DATE: 7/22/2021

PROJECT NAME & ADDRESS

ROBINSON IRAM LOPEZ VELASQUEZ
 RESIDENCE
 225 BERNARD STREET,
 SPRING LAKE, NC 28390

SHEET NAME

EQUIPMENT
 SPECIFICATION

SHEET SIZE

ANSI B
 11" X 17"

SHEET NUMBER

PV-11B

T-Bolt



Item Code	Part Number	Description	Finish
QMR-TB A 300	880	T-Bolt w/ Nut, 300 Pack	stainless steel

Grounding Lug



Item Code	Part Number	Description	Finish
QMR-GL A 50	890	WEEB Lug w/ T-Bolt, 50 Pack	n/a

Wire Clip



Works with both PV and Trunk Cabling

Item Code	Part Number	Description	Finish
QMR-WCA 300	892	Trunk/PV Cable, 300 Pack	stainless steel

WEEB BMC



Item Code	Part Number	Description	Finish
QMR-ECWA 50	891	WEEB BMC, 50 Pack	stainless steel



POWER HOME SOLAR, LLC
 "POWER YOUR FUTURE"
 919 N. MAIN ST.
 MOORESVILLE, NC 28115
 Phone: 704-800-6591 (OFFICE)
 Email: info@powerhome.com
 Web: www.powerhome.com

REVISIONS

DESCRIPTION	DATE	REV

Signature with Seal

DATE: 7/22/2021

PROJECT NAME & ADDRESS

ROBINSON IRAM LOPEZ VELASQUEZ
 RESIDENCE
 225 BERNARD STREET,
 SPRING LAKE, NC 28390

SHEET NAME

EQUIPMENT
 SPECIFICATION

SHEET SIZE

ANSI B
 11" X 17"

SHEET NUMBER

PV-11C

S-5![®]

The Right Way!

ProteaBracket™

ProteaBracket™ is the most versatile standing seam metal roof attachment solution on the market, fitting most trapezoidal sheet profiles with and without intermediate insulation. It features an adjustable attachment base and multiple solar module attachment options (illustrated on back) to accommodate varying widths and heights. There are no messy sealants to apply and no chance for leaks; the ProteaBracket comes with factory-applied, adhesive rubber sealant to ensure quick installation and a weather-proof fit.

Installation is simple! The ProteaBracket is mounted directly onto the crown of the panel, straddling the profile. No surface preparation is necessary; simply wipe away excess oil and debris, align, and apply. Secure ProteaBracket through its pre-punched holes, using the hardened drill point S-5![®] screws.

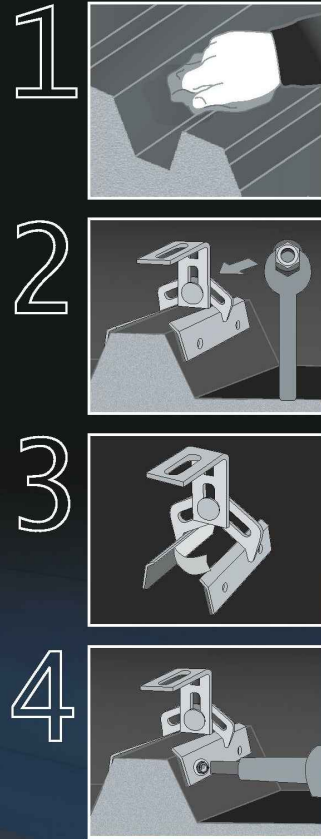
ProteaBracket is the perfect match for our S-5-PV Kit and spares you the hassle of cold-bridging! For a solar attachment solution that is both economical and easy to use, choose ProteaBracket.*

*When ProteaBracket is used in conjunction with the S-5-PV Kit, an additional nut is required during installation.

S-5![®] ProteaBracket™ is a versatile bracket that adjusts easily to most trapezoidal roof profiles.

ProteaBracket™

888-825-3432 | www.S-5.com



S-5![®]

The Right Way!

ProteaBracket™ is the perfect solar attachment solution for most trapezoidal exposed-fastened metal roof profiles! No messy sealants to apply. The factory-applied adhesive rubber sealant weather-proofs and makes installation easy!

Each ProteaBracket™ comes with a factory-applied, adhesive rubber sealant on the base. A structural A2 stainless steel bimetal attachment bracket, ProteaBracket is compatible with most common metal roofing materials. All four pre-punched holes must be used to achieve tested strength. Mounting hardware is furnished with the ProteaBracket. For design assistance, ask your distributor, or visit www.S-5.com for the independent lab test data that can be used for load-critical designs and applications. Also, please visit our website for more information including metallurgical compatibilities and specifications. S-5![®] holding strength is unmatched in the industry.

Multiple Attachment Options:

Side Rail Option



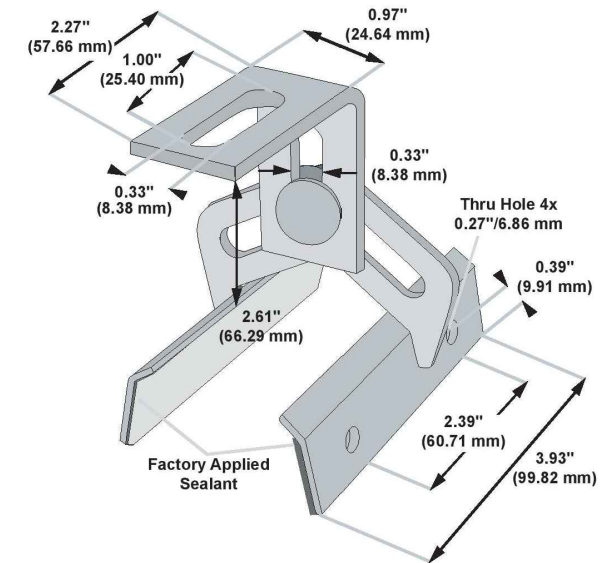
Top Rail Option



S-5-PV Kit Option



ProteaBracket™



Please note: All measurements are rounded to the second decimal place.

Example Applications



S-5-PV Kit demonstrated with a ProteaBracket on a trapezoidal profile.

Example Profile



S-5![®] Warning! Please use this product responsibly!
 Products are protected by multiple U.S. and foreign patents. For published data regarding holding strength, bolt torque, patents, and trademarks, visit the S-5! website at www.S-5.com.
 Copyright 2013, Metal Roof Innovations, Ltd. S-5! products are patent protected. S-5! aggressively protects its patents, trademarks, and copyrights. Version 112513.

Distributed by

POWERHOME
 POWER HOME SOLAR, LLC
 "POWER YOUR FUTURE"
 919 N. MAIN ST.
 MOORESVILLE, NC 28115
 Phone: 704-800-6591 (OFFICE)
 Email: info@powerhome.com
 Web: www.powerhome.com

REVISIONS		
DESCRIPTION	DATE	REV

Signature with Seal

 DATE: 7/22/2021

PROJECT NAME & ADDRESS

ROBINSON IRAM LOPEZ VELASQUEZ
 RESIDENCE
 225 BERNARD STREET,
 SPRING LAKE, NC 28390

SHEET NAME
EQUIPMENT SPECIFICATION

SHEET SIZE
**ANSI B
 11" X 17"**

SHEET NUMBER
PV-12