

SHEET CATALOG	
INDEX NO.	DESCRIPTION
T-1	COVER PAGE
M-1	MOUNTING DETAIL
M-2	STRUCTURAL DETAIL
E-1	SINGLE LINE DIAGRAM
E-2	THREE LINE DIAGRAM
E-3	STRING WIRING DIAGRAM
PL-1	WARNING PLACARDS
PL-2	SAFETY PLANS-1
PL-3	SAFETY PLANS-2
SS	SPEC SHEET(S)

SCOPE OF WORK

GENERAL SYSTEM INFORMATION:
 SYSTEM SIZE:
 6035W DC, 5000W AC
 MODULES:
 (17) LG NEON2 BLACK LG355N1K-B6
 INVERTER:
 (1) SOLAREEDGE TECHNOLOGIES
 SE5000H-US(240V)
 OPTIMIZER:
 (17) SOLAREEDGE P401 POWER OPTIMIZER

APPLICABLE CODES

- ELECTRIC CODE: NEC 2017
- FIRE CODE: IFC 2018
- BUILDING CODE: IBC 2018
- RESIDENTIAL CODE: IRC 2018

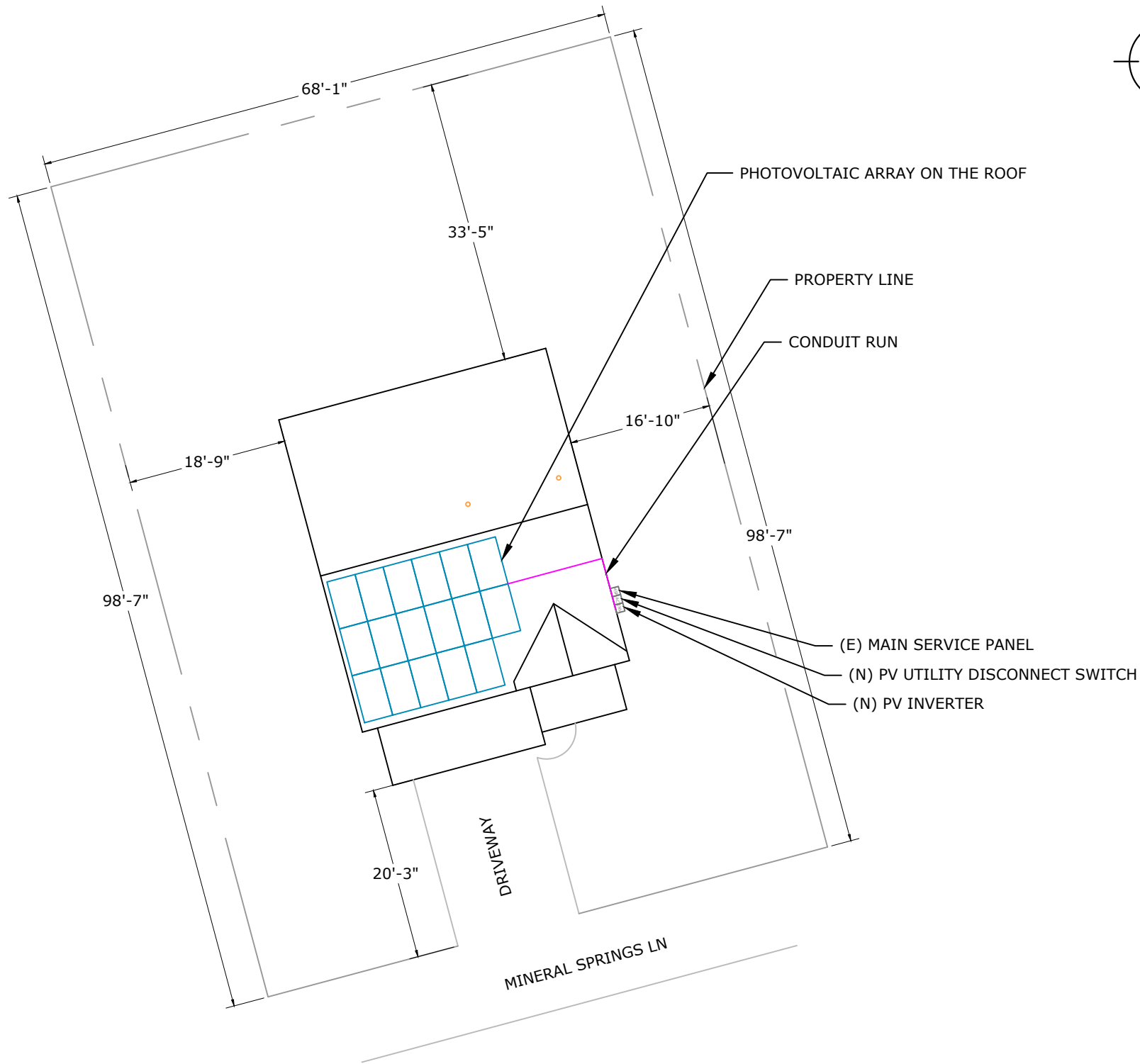
GENERAL NOTES

1. MODULES ARE LISTED UNDER UL 1703 AND CONFORM TO THE STANDARDS.
2. INVERTERS ARE LISTED UNDER UL 1741 AND CONFORM TO THE STANDARDS.
3. DRAWINGS ARE DIAGRAMMATIC, INDICATING GENERAL ARRANGEMENT OF THE PV SYSTEM AND THE ACTUAL SITE CONDITION MIGHT VARY.
4. WORKING CLEARANCES AROUND THE NEW PV ELECTRICAL EQUIPMENT WILL BE MAINTAINED IN ACCORDANCE WITH NEC 110.26.
5. ALL GROUND WIRING CONNECTED TO THE MAIN SERVICE GROUNDING IN MAIN SERVICE PANEL/ SERVICE EQUIPMENT.
6. ALL CONDUCTORS SHALL BE 600V, 75°C STANDARD COPPER UNLESS OTHERWISE NOTED.
7. WHEN REQUIRED, A LADDER SHALL BE IN PLACE FOR INSPECTION IN COMPLIANCE WITH OSHA REGULATIONS.
8. THE SYSTEM WILL NOT BE INTERCONNECTED BY THE CONTRACTOR UNTIL APPROVAL FROM THE LOCAL JURISDICTION AND/OR THE UTILITY.
9. ROOF ACCESS POINT SHALL BE LOCATED IN AREAS THAT DO NOT REQUIRE THE PLACEMENT OF GROUND LADDERS OVER OPENINGS SUCH AS WINDOWS OR DOORS, AND LOCATED AT STRONG POINTS OF BUILDING CONSTRUCTION WHERE THE ACCESS POINT DOES NOT CONFLICT WITH OVERHEAD OBSTRUCTIONS SUCH AS TREES, WIRES OR SIGNS.
10. PV ARRAY COMBINER/JUNCTION BOX PROVIDES TRANSITION FROM ARRAY WIRING TO CONDUIT WIRING

SCALE: 1/16" = 1'-0"

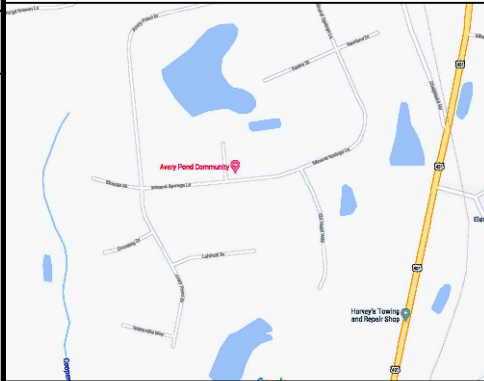
SIGRIDUR MITCHELL - 6.035kW DC, 5.000kW AC

SITE PLAN LAYOUT



NOTE: NO GATE OR FENCE

VICINITY MAP



ADDRESS: 525W, BASELINE RD
 MESA AZ, 85210

CUSTOMER INFORMATION

NAME: SIGRIDUR MITCHELL

ADDRESS: 318 MINERAL SPRING LANE,
 FUQUAY VARINA, NC 27526

APN: 080-654-009-013

AHJ: NC- TOWN OF FUQUAY VARINA

UTILITY: DUKE ENERGY

PRN NUMBER: TPS-22702



COVER PAGE

DESIGNER /CHECKED BY: MS/HK PAPER SIZE: 17"X11"

SCALE: AS NOTED REV: A

DATE: 3/31/2021 T-1

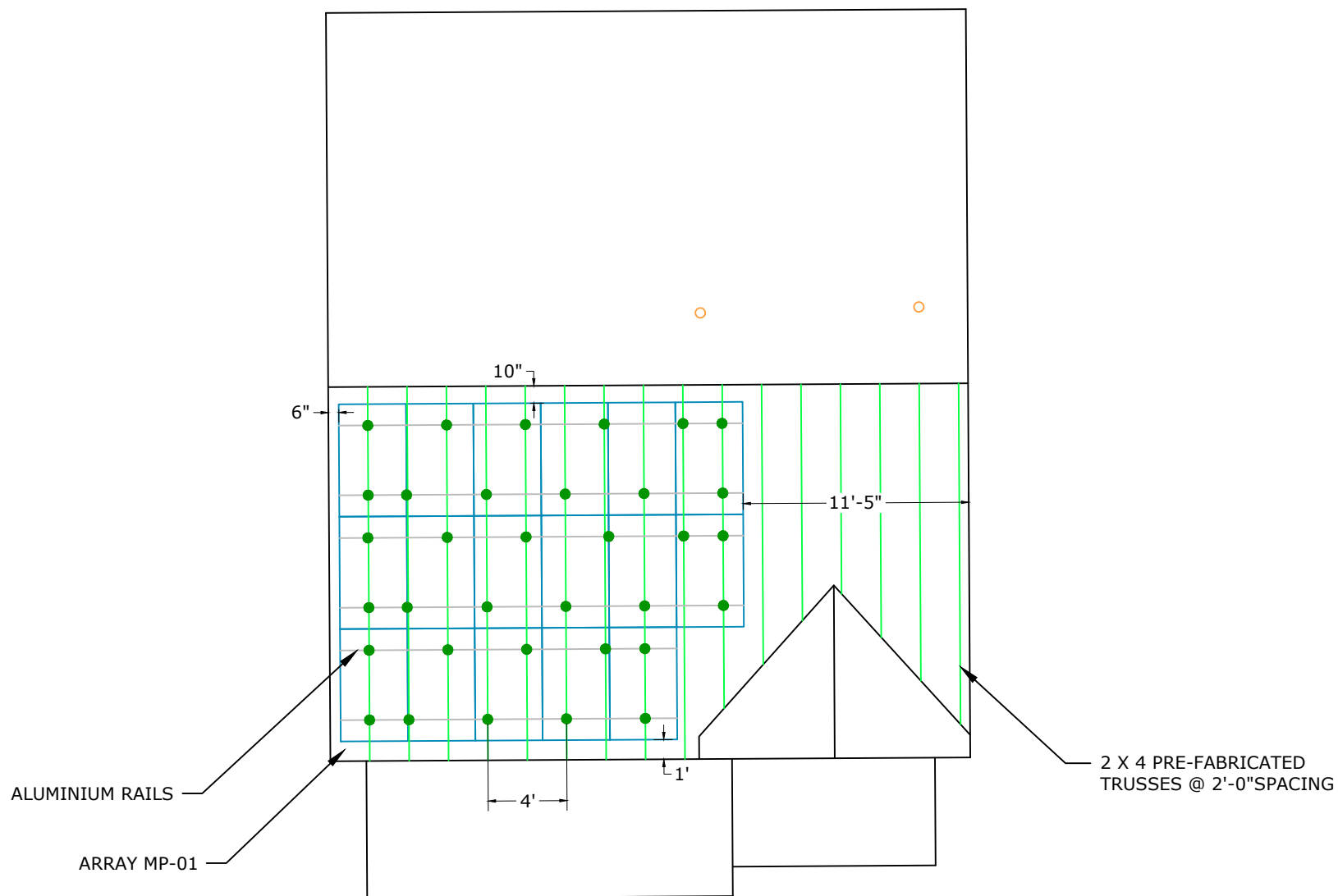
INSTALLATION NOTES

- 1.STRUCTURAL ROOF MEMBER LOCATIONS ARE ESTIMATED AND SHOULD BE LOCATED AND VERIFIED BY THE CONTRACTOR WHEN LAG BOLT PENETRATION OR MECHANICAL ATTACHMENT TO THE STRUCTURE IS REQUIRED.
- 2.ROOFTOP PENETRATIONS FOR SOLAR RACKING WILL BE COMPLETED AND SEALED WITH APPROVED SEALANT PER CODE BY A LICENSED CONTRACTOR.
- 3.LAGS MUST HAVE A MINIMUM 2.5" THREAD EMBEDMENT INTO THE STRUCTURAL MEMBER.
- 4.ALL PV RACKING ATTACHMENTS SHALL BE STAGGERED BY ROW BETWEEN THE ROOF FRAMING MEMBERS AS NECESSARY.
- 5.ROOF MOUNTED STANDARD RAIL REQUIRES ONE THERMAL EXPANSION GAP FOR EVERY RUN OF RAIL GREATER THAN 40'.
- 6.ALL CONDUCTORS AND CONDUITS ON THE ROOF SHALL BE MINIMUM 2.5" ABOVE THE ROOF SURFACE (INCLUDING CABLES UNDERNEATH MODULES AND RACKING).
- 7.THE PV INSTALLATION SHALL NOT OBSTRUCT ANY PLUMBING, MECHANICAL OR BUILDING ROOF VENTS.

SITE INFORMATION - WIND SPEED: 115 MPH AND SNOW LOAD: 15 PSF

SR. NO	AZIMUTH	PITCH	NO. OF MODULES	ARRAY AREA (SQ. FT.)	ROOF TYPE	ATTACHMENT	ROOF EXPOSURE	FRAME TYPE	FRAME SIZE	FRAME SPACING	MAX RAIL SPAN	OVER HANG
MP-01	165°	22°	17	331.6	COMPOSITION SHINGLE	L FOOT(QUICK BOLT)	ATTIC	PRE-FABRICATED TRUSSES	2 X 4	2'-0"	4'-0"	2'-0"

NOTE: PENETRATIONS ARE STAGGERED



SCALE: 1/8" = 1'-0"



ADDRESS: 525W, BASELINE RD
MESA AZ,85210

CUSTOMER INFORMATION

NAME: SIGRIDUR MITCHELL

ADDRESS: 318 MINERAL SPRING LANE,
FUQUAY VARINA, NC 27526

APN: 080-654-009-013

AHJ: NC- TOWN OF FUQUAY VARINA

UTILITY: DUKE ENERGY

PRN NUMBER: TPS-22702



MOUNTING DETAIL

DESIGNER /CHECKED
BY: MS/HK

PAPER SIZE: 17"X11"

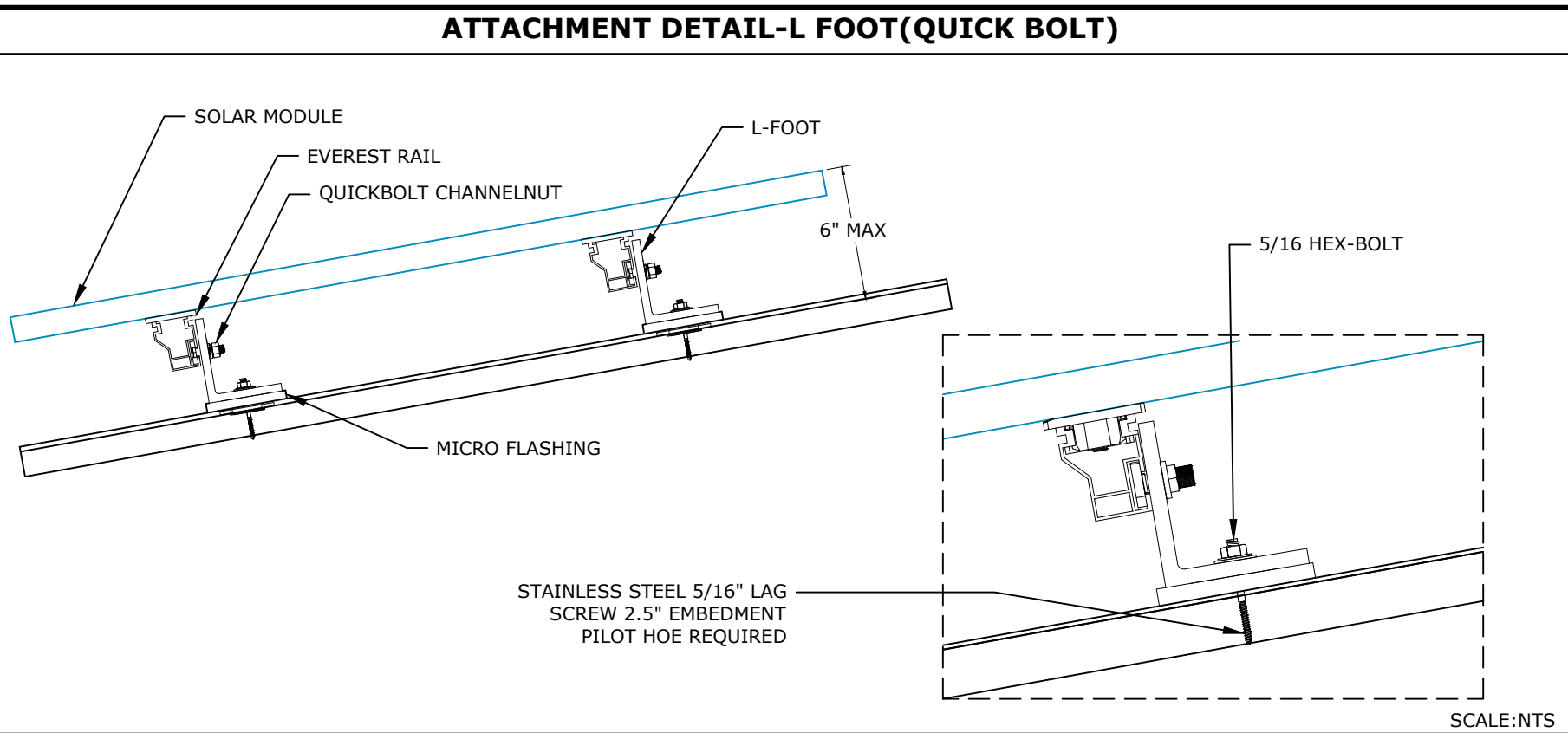
SCALE: AS NOTED

REV: A

DATE: 3/31/2021

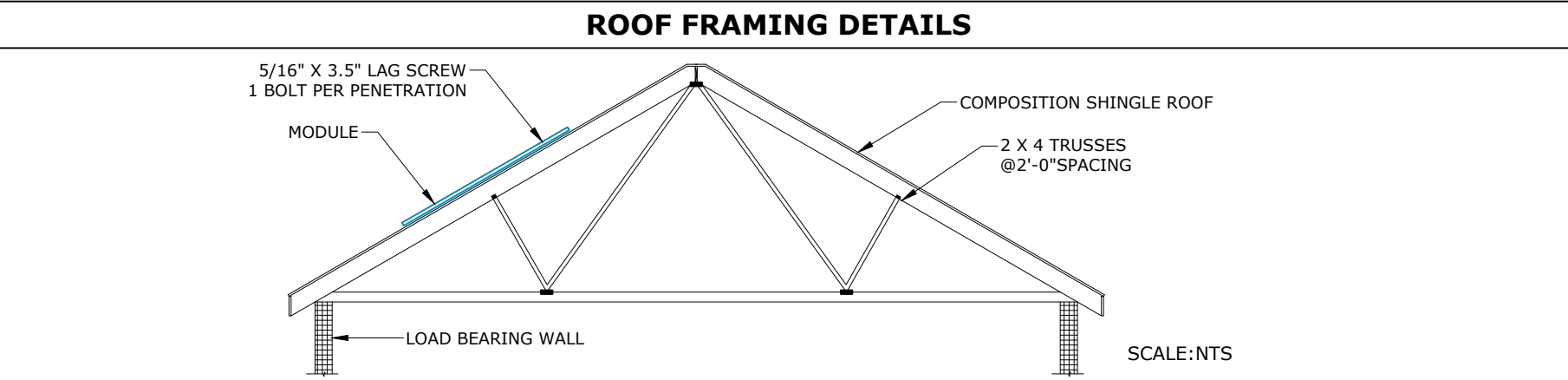
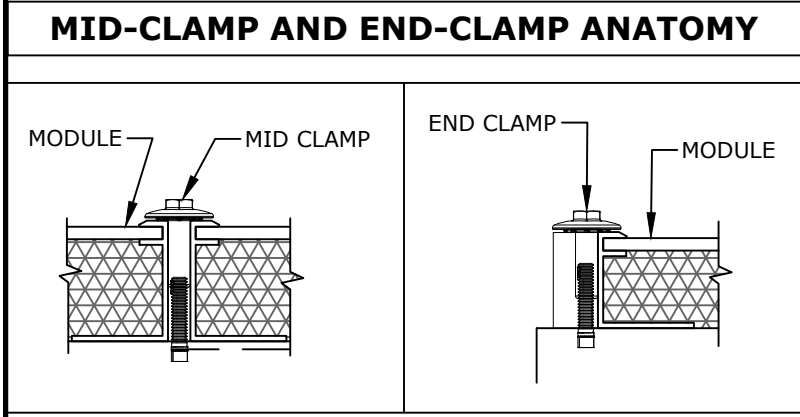
M-1

DEAD LOAD CALCULATIONS			
BOM	QUANTITY	LBS/UNIT	TOTAL WEIGHT (LBS)
MODULES	17	41	697.00
MID-CLAMP	28	0.300	8.40
END-CLAMP	12	0.310	3.72
RAIL LENGTH	114	0.560	63.84
SPLICE BAR	6	0.650	3.90
L FOOT (QUICK BOLT)	34	1.04	35.36
TOTAL WEIGHT OF THE SYSTEM (LBS)			812.22
TOTAL ARRAY AREA ON THE ROOF (SQ. FT.)			331.56
WEIGHT PER SQ. FT. (LBS)			2.45
WEIGHT PER PENETRATION (LBS)			23.89



MODULES DATA	
LG NEON2 BLACK LG355N1K-B6	
MODULE DIMS	68.5"x41"x1.57"
LAG SCREWS	5/16"x3.5":2.5"MIN EMBEDMENT

UPLIFT CALCULATIONS		
UPLIFT	9946.8	LBS
PULL OUT STRENGTH	20910	LBS
POINT LOADING	21	LBS



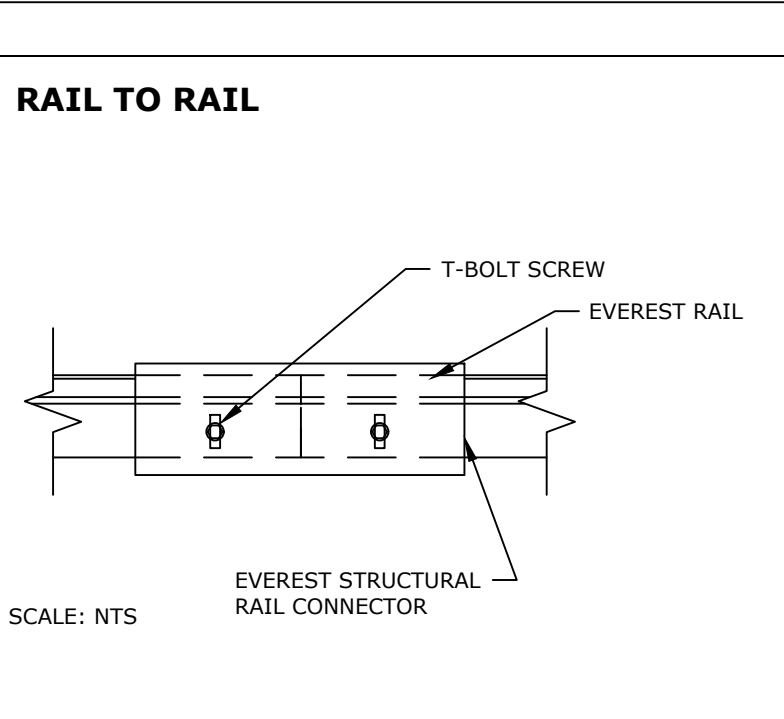
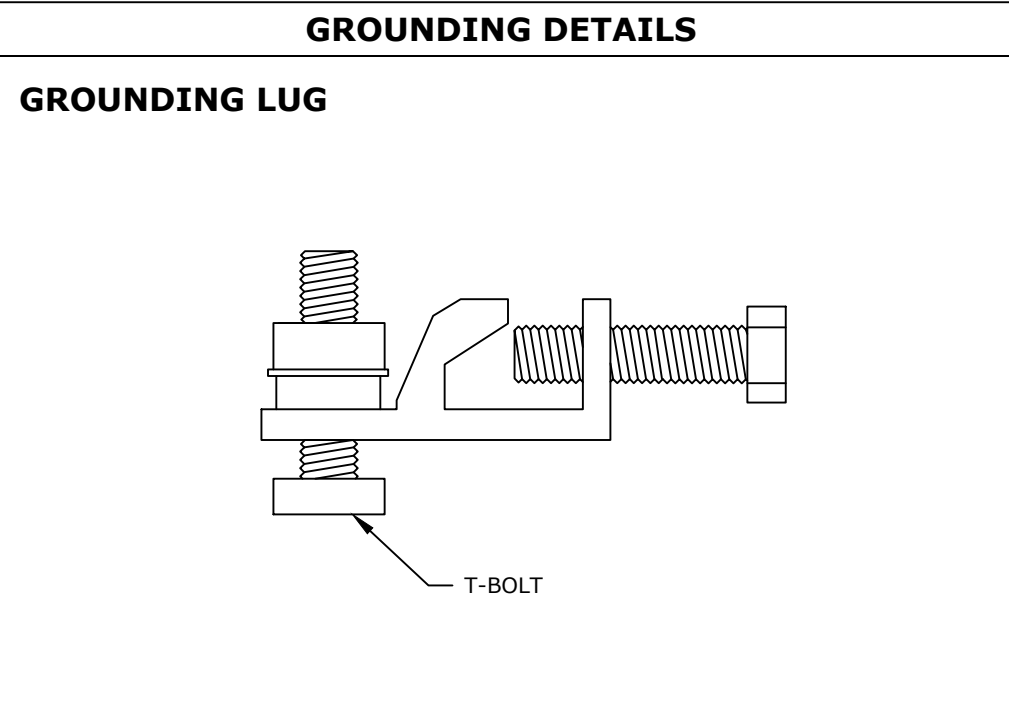
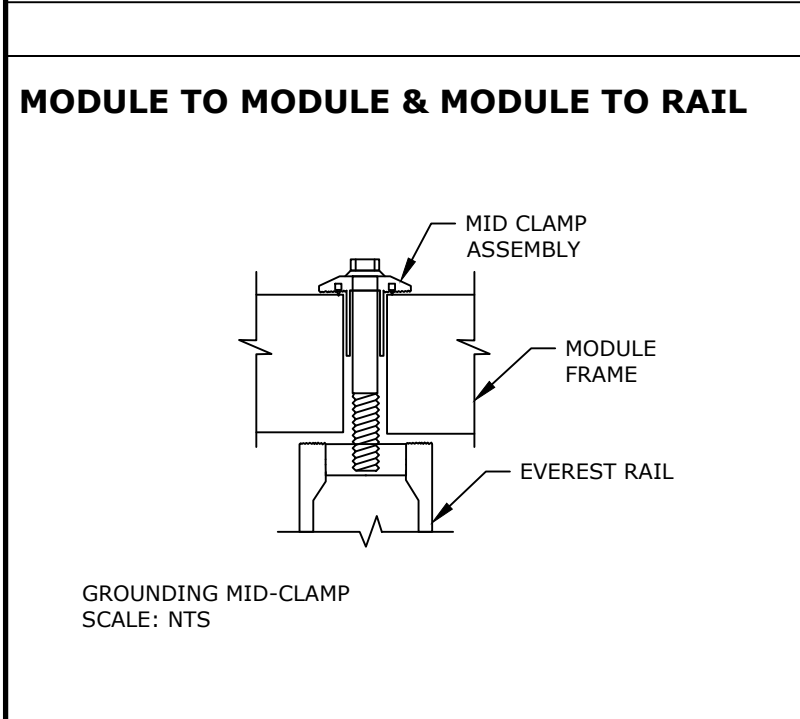
ADDRESS: 525W, BASELINE RD
MESA AZ, 85210

CUSTOMER INFORMATION

NAME: SIGRIDUR MITCHELL

ADDRESS: 318 MINERAL SPRING LANE,
FUQUAY VARINA, NC 27526

APN: 080-654-009-013



AHJ: NC- TOWN OF FUQUAY VARINA

UTILITY: DUKE ENERGY

PRN NUMBER: TPS-22702



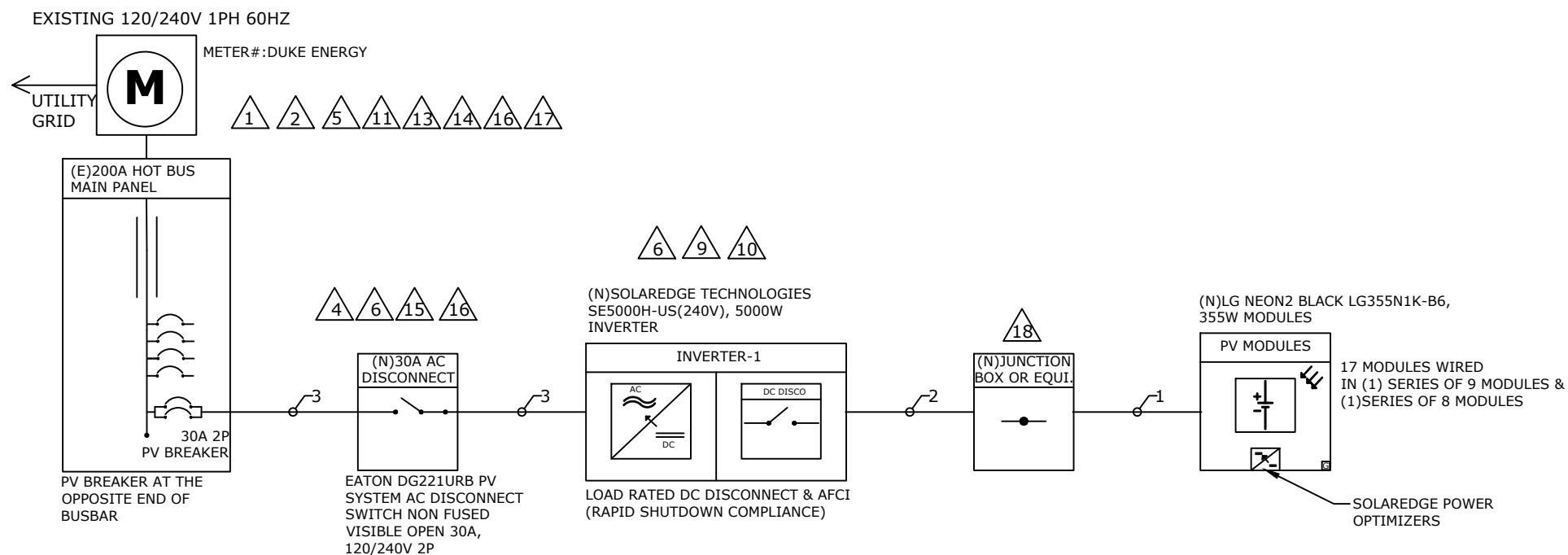
STRUCTURAL DETAIL	
DESIGNER /CHECKED BY: MS/HK	PAPER SIZE: 17"X11"
SCALE: AS NOTED	REV: A
DATE: 3/31/2021	M-2

SINGLE LINE DIAGRAM: DC SYSTEM SIZE - 6035W, AC SYSTEM SIZE - 5000W

ELECTRICAL NOTES

INVERTER-1 SPECIFICATIONS		MODULE SPECIFICATION		OPTIMIZER CHARACTERISTICS		SYSTEM CHARACTERISTICS	
MODEL	SOLAREEDGE TECHNOLOGIES SE5000H-US(240V)	MODEL	LG NEON2 BLACK LG355N1K-B6	MODEL	P401	DC SYSTEM SIZE	6035 W
POWER RATING	5000W	MODULE POWER @ STC	355W	MIN INPUT VOLTAGE	8 VDC	INVERTER STRING VOLTAGE: Vmp	380V
MAX OUTPUT CURRENT	21A	OPEN CIRCUIT VOLTAGE: Voc	41.5V	MAX INPUT VOLTAGE	60 VDC	MAX INVERTER SYSTEM VOLTAGE: Voc	480V
CEC WEIGHTED EFFICIENCY	99%	MAX POWER VOLTAGE: Vmp	35.0V	MAX INPUT CURRENT	11.75 ADC	MAX SHORT CIRCUIT CURRENT	15A
MAX INPUT CURRENT	13.5A	SHORT CIRCUIT VOLTAGE: Isc	10.72A	MAX OUTPUT CURRENT	15 ADC	OPERATING CURRENT	8.41A
MAX DC VOLTAGE	480V	MAX POWER CURRENT: Imp	10.15A				

- CONDUCTORS EXPOSED TO SUNLIGHT SHALL BE LISTED AS SUNLIGHT RESISTANT PER NEC 310.10(D).
- CONDUCTORS EXPOSED TO WET LOCATIONS SHALL BE SUITABLE FOR USE IN WET LOCATIONS PER NEC 310.10(C).
- MAXIMUM DC/AC VOLTAGE DROP SHALL BE NO MORE THAN 2%.
- ALL CONDUCTORS SHALL BE IN CONDUIT UNLESS OTHERWISE NOTED.
- BREAKER/FUSE SIZES CONFORMS TO NEC 240.6 CODE SECTION.
- AC GROUNDING ELECTRODE CONDUCTOR SIZED PER NEC 250.66.
- AMBIENT TEMPERATURE CORRECTION FACTOR IS BASED ON NEC 690.31(C).
- AMBIENT TEMPERATURE ADJUSTMENT FACTOR IS BASED ON NEC 310.15(B)(2).
- MAX. SYSTEM VOLTAGE CORRECTION IS PER NEC 690.7.
- CONDUCTORS ARE SIZED PER WIRE AMPACITY TABLE NEC 310.15(B)(16).



ADDRESS: 525W, BASELINE RD
MESA AZ, 85210

CUSTOMER INFORMATION

NAME: SIGRIDUR MITCHELL
ADDRESS: 318 MINERAL SPRING LANE, FUQUAY VARINA, NC 27526
APN: 080-654-009-013
AHJ: NC- TOWN OF FUQUAY VARINA
UTILITY: DUKE ENERGY
PRN NUMBER: TPS-22702

CONDUIT SCHEDULE

TAG ID	CONDUIT SIZE	CONDUCTOR	NEUTRAL	GROUND
1	NONE	(4) 10AWG PV WIRE	NONE	(1) 10 AWG BARE COPPER
2	3/4"EMT OR EQUIV	(4) 10AWG THHN/THWN-2	NONE	(1) 10 AWG THHN/THWN-2
3	3/4"EMT OR EQUIV	(2) 8 AWG THHN/THWN-2	(1) 8 AWG THHN/THWN-2	(1) 10 AWG THHN/THWN-2

NOTE:
MAIN PANEL RATING: 200A
ALLOWABLE BACKFEED IS = 200A

OCPD CALCULATIONS:
INVERTER OVERCURRENT PROTECTION = INVERTER O/P I X CONTINUOUS LOAD(1.25)
= 21x1.25 = 26.25A => PV BREAKER = 30A
TOTAL REQUIRED PV BREAKER SIZE => 30A PV BREAKER

ELECTRICAL CALCULATIONS

DC WIRE SIZING CALCULATIONS BASED OF FOLLOWING EQUATIONS >>

- REQUIRED CONDUCTOR AMPACITY: 125% PER 690.8(A)(1) X I_{sc}(A) X #OF PARALLEL STRINGS = MAX CURRENT PER 690.8(A)(1) X 125% PER 690.8(B)(2)(a) = MAX CURRENT PER 690.8(B)(2)(a)
- CORRECTED AMPACITY CALCULATIONS: AMPACITY X TEMPERATURE DERATE FACTOR X CONDUIT FILL DERATE = DERATED CONDUCTOR AMPACITY
- DERATED CONDUCTOR AMPACITY CHECK: MAX CURRENT PER 690.8(B)(2)(2) < DERATED CONDUCTOR AMPACITY

AC WIRE SIZING CALCULATIONS BASED OF FOLLOWING EQUATIONS >>

- REQUIRED CONDUCTOR AMPACITY: INVERTER OUTPUT CURRENT X #OF INVERTERS X MAX CURRENT PER 690.8(A)(3) X 125% PER 690.8(B)(2)(A)
- CORRECTED AMPACITY CALCULATIONS: AMPACITY X TEMPERATURE DERATE FACTOR X CONDUIT FILL DERATE = DERATED CONDUCTOR AMPACITY
- DERATED CONDUCTOR AMPACITY CHECK: MAX CURRENT PER 690.8(B)(2)(2) < DERATED CONDUCTOR AMPACITY

DC WIRE CALCULATIONS:- MATERIAL: COPPER & TEMPERATURE RATING: 90°C																					
TAG ID	REQUIRED CONDUCTOR AMPACITY					CORRECTED AMPACITY CALCULATION					DERATED CONDUCTOR AMPACITY CHECK										
1	1	X	15	X	1	=	15	X	1.25	=	18.75A	40	X	0.71	X	0.8	=	22.72A	18.75A	<	22.72A
2	1	X	15	X	1	=	15	X	1.25	=	18.75A	40	X	0.71	X	0.8	=	22.72A	18.75A	<	22.72A

AC WIRE CALCULATIONS:- MATERIAL: COPPER & TEMPERATURE RATING: 90°C																			
TAG ID	REQUIRED CONDUCTOR AMPACITY					CORRECTED AMPACITY CALCULATION					DERATED CONDUCTOR AMPACITY CHECK								
3	21	X	1	=	21	X	1.25	=	26.25A	55	X	0.87	X	1	=	47.85A	26.25A	<	47.85A



SINGLE LINE DIAGRAM

DESIGNER /CHECKED BY: MS/HK PAPER SIZE: 17"X11"
SCALE: AS NOTED REV: A
DATE: 3/31/2021 E-1

THREE LINE DIAGRAM: DC SYSTEM SIZE - 6035W, AC SYSTEM SIZE - 5000W

ELECTRICAL NOTES

INVERTER-1 SPECIFICATIONS		MODULE SPECIFICATION		OPTIMIZER CHARACTERISTICS		SYSTEM CHARACTERISTICS	
MODEL	SOLAREDEGE TECHNOLOGIES SE5000H-US(240V)	MODEL	LG NEON2 BLACK LG355N1K-B6	MODEL	P401	DC SYSTEM SIZE	6035 W
POWER RATING	5000W	MODULE POWER @ STC	355W	MIN INPUT VOLTAGE	8 VDC	INVERTER STRING VOLTAGE: Vmp	380V
MAX OUTPUT CURRENT	21A	OPEN CIRCUIT VOLTAGE: Voc	41.5V	MAX INPUT VOLTAGE	60 VDC	MAX INVERTER SYSTEM VOLTAGE: Voc	480V
CEC WEIGHTED EFFICIENCY	99%	MAX POWER VOLTAGE: Vmp	35.0V	MAX INPUT CURRENT	11.75 ADC	MAX SHORT CIRCUIT CURRENT	15A
MAX INPUT CURRENT	13.5A	SHORT CIRCUIT VOLTAGE: Isc	10.72A	MAX OUTPUT CURRENT	15 ADC	OPERATING CURRENT	8.41A
MAX DC VOLTAGE	480V	MAX POWER CURRENT: Imp	10.15A				

- 1.CONDUCTORS EXPOSED TO SUNLIGHT SHALL BE LISTED AS SUNLIGHT RESISTANT PER NEC 310.10(D).
- 2.CONDUCTORS EXPOSED TO WET LOCATIONS SHALL BE SUITABLE FOR USE IN WET LOCATIONS PER NEC 310.10(C).
- 3.MAXIMUM DC/AC VOLTAGE DROP SHALL BE NO MORE THAN 2%.
- 4.ALL CONDUCTORS SHALL BE IN CONDUIT UNLESS OTHERWISE NOTED.
- 5.BREAKER/FUSE SIZES CONFORMS TO NEC 240.6 CODE SECTION.
- 6.AC GROUNDING ELECTRODE CONDUCTOR SIZED PER NEC 250.66.
- 7.AMBIENT TEMPERATURE CORRECTION FACTOR IS BASED ON NEC 690.31(C).
- 8.AMBIENT TEMPERATURE ADJUSTMENT FACTOR IS BASED ON NEC 310.15(B)(2).
- 9.MAX. SYSTEM VOLTAGE CORRECTION IS PER NEC 690.7.
- 10.CONDUCTORS ARE SIZED PER WIRE AMPACITY TABLE NEC 310.15(B)(16).



ADDRESS: 525W, BASELINE RD
MESA AZ,85210

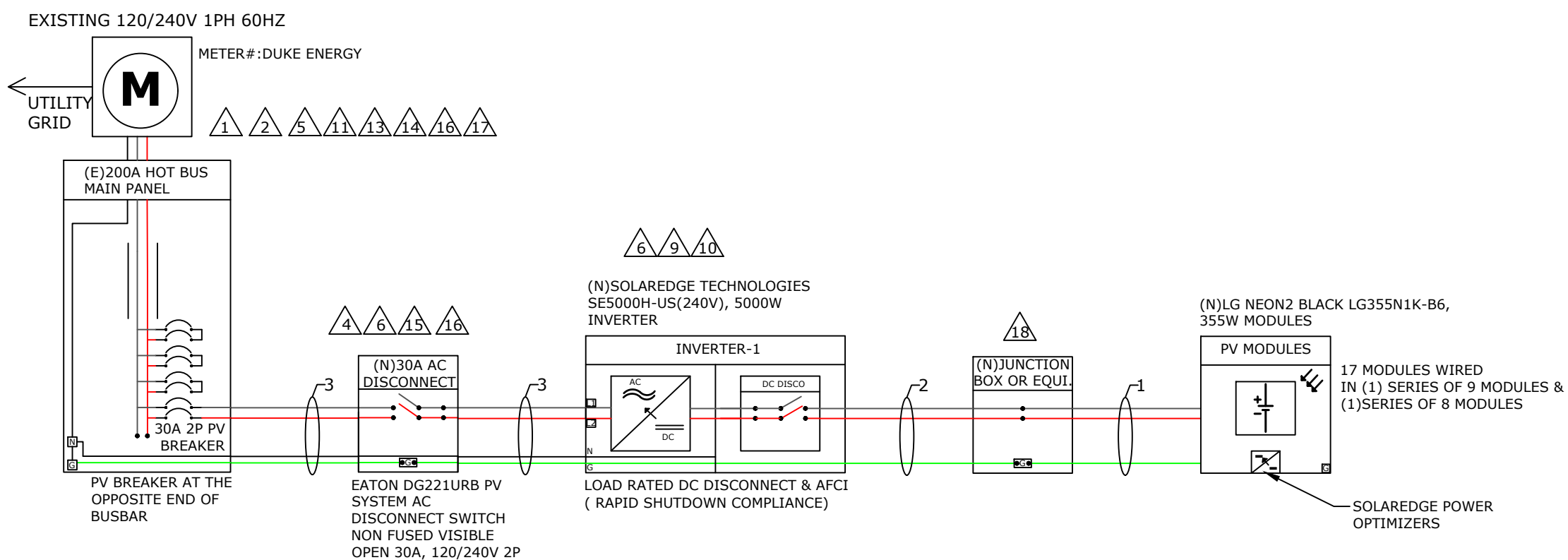
CUSTOMER INFORMATION

NAME:SIGRIDUR MITCHELL

ADDRESS:318 MINERAL SPRING LANE,
FUQUAY VARINA, NC 27526

APN:080-654-009-013
AHJ:NC- TOWN OF FUQUAY VARINA

UTILITY:DUKE ENERGY
PRN NUMBER:TPS-22702



CONDUIT SCHEDULE

TAG ID	CONDUIT SIZE	CONDUCTOR	NEUTRAL	GROUND
1	NONE	(4) 10AWG PV WIRE	NONE	(1) 10 AWG BARE COPPER
2	3/4"EMT OR EQUIV	(4) 10AWG THHN/THWN-2	NONE	(1) 10 AWG THHN/THWN-2
3	3/4"EMT OR EQUIV	(2) 8 AWG THHN/THWN-2	(1) 8 AWG THHN/THWN-2	(1) 10 AWG THHN/THWN-2

NOTE:
MAIN PANEL RATING:200A
ALLOWABLE BACKFEED IS =200A

OC PD CALCULATIONS:
INVERTER OVERCURRENT PROTECTION= INVERTER O/P I X CONTINUOUS LOAD(1.25)
=21x1.25=26.25A=>PV BREAKER = 30A
TOTAL REQUIRED PV BREAKER SIZE =>30A PV BREAKER

ELECTRICAL CALCULATIONS

DC WIRE SIZING CALCULATIONS BASED OF FOLLOWING EQUATIONS>>

- REQUIRED CONDUCTOR AMPACITY: 125% PER 690.8(A)(1) X I_{sc}(A) X #OF PARALLEL STRINGS = MAX CURRENT PER 690.8(A)(1) X 125% PER 690.8(B)(2)(a)=MAX CURRENT PER 690.8(B)(2)(a)
- CORRECTED AMPACITY CALCULATIONS:AMPACITY X TEMPERATURE DERATE FACTOR X CONDUIT FILL DERATE = DERATED CONDUCTOR AMPACITY
- DERATED CONDUCTOR AMPACITY CHECK: MAX CURRENT PER 690.8(B)(2)(2) < DERATED CONDUCTOR AMPACITY

AC WIRE SIZING CALCULATIONS BASED OF FOLLOWING EQUATIONS >>

- REQUIRED CONDUCTOR AMPACITY: INVERTER OUTPUT CURRENT X #OF INVERTERSXMAX CURRENT PER 690.8(A)(3)X125% PER 690.8(B)(2)(A)
- CORRECTED AMPACITY CALCULATIONS:AMPACITY X TEMPERATURE DERATE FACTOR X CONDUIT FILL DERATE = DERATED CONDUCTOR AMPACITY
- DERATED CONDUCTOR AMPACITY CHECK: MAX CURRENT PER 690.8(B)(2)(2) < DERATED CONDUCTOR AMPACITY

DC WIRE CALCULATIONS:- MATERIAL:COPPER & TEMPERATURE RATING:90°C																					
TAG ID	REQUIRED CONDUCTOR AMPACITY					CORRECTED AMPACITY CALCULATION					DERATED CONDUCTOR AMPACITY CHECK										
1	1	X	15	X	1	=	15	X	1.25	=	18.75A	40	X	0.71	X	0.8	=	22.72A	18.75A	<	22.72A
2	1	X	15	X	1	=	15	X	1.25	=	18.75A	40	X	0.71	X	0.8	=	22.72A	18.75A	<	22.72A

AC WIRE CALCULATIONS:- MATERIAL:COPPER & TEMPERATURE RATING:90°C																			
TAG ID	REQUIRED CONDUCTOR AMPACITY					CORRECTED AMPACITY CALCULATION					DERATED CONDUCTOR AMPACITY CHECK								
3	21	X	1	=	21	X	1.25	=	26.25A	55	X	0.87	X	1	=	47.85A	26.25A	<	47.85A

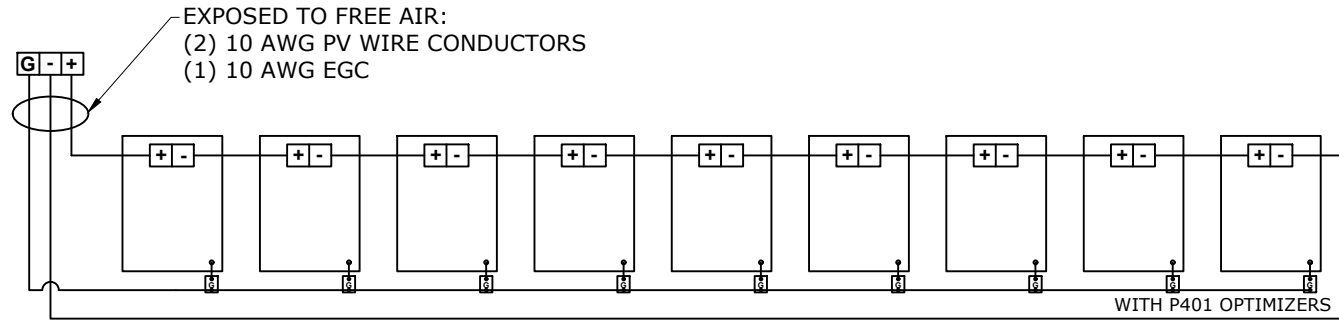


THREE LINE DIAGRAM

DESIGNER /CHECKED BY: MS/HK PAPER SIZE:17"X11"
SCALE:AS NOTED REV:A
DATE:3/31/2021 E-2

STRING WIRING DIAGRAM

1 STRINGS OF 9 MODULES



ADDRESS: 525W, BASELINE RD
MESA AZ,85210

CUSTOMER INFORMATION

NAME:SIGRIDUR MITCHELL

ADDRESS:318 MINERAL SPRING LANE,
FUQUAY VARINA, NC 27526

APN:080-654-009-013

AHJ:NC- TOWN OF FUQUAY VARINA

UTILITY:DUKE ENERGY

PRN NUMBER:TPS-22702



STRING WIRING DIAGRAM

DESIGNER /CHECKED
BY: MS/HK

PAPER SIZE:17"X11"

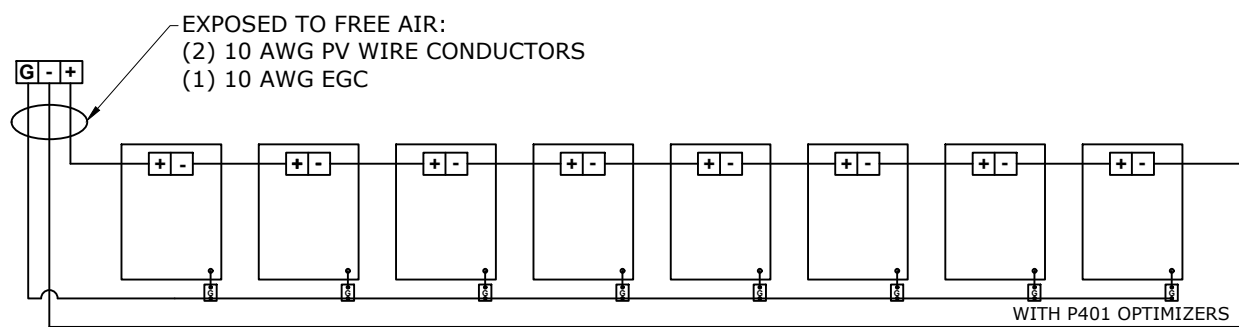
SCALE:AS NOTED

REV:A

DATE:3/31/2021

E-3

1 STRINGS OF 8 MODULES



WARNING PLACARD

1

CAUTION
PHOTOVOLTAIC SYSTEM CIRCUIT IS BACKFED

LABEL LOCATION
BACKFED BREAKER [PER CODE: NEC 705.12(4)]

2

WARNING
INVERTER OUTPUT CONNECTION:
DO NOT RELOCATE THIS
OVERCURRENT DEVICE

LABEL LOCATION: BACKFED BREAKER
[PER CODE: 2017 NEC 705.12(2)(3)(b)]

3

WARNING
A GENERATION SOURCE IS CONNECTED TO THE SUPPLY
(UTILITY) SIDE OF THE MAIN SERVICE DISCONNECT. FOLLOW
THE PROPER LOCK-OUT/TAG-OUT PROCEDURES TO ENSURE
THE PHOTOVOLTAIC SYSTEM UTILITY DISCONNECT SWITCH IS
OPENED PRIOR TO PERFORMING WORK ON THIS DEVICE

LABEL LOCATION: (IF APPLICABLE) SUPPLY SIDE TAP LOAD PANEL
[PER CODE: UTILITY]

4

PHOTOVOLTAIC AC DISCONNECT
RATED AC OPERATING CURRENT 21.00 A
AC NOMINAL OPERATING VOLTAGE 240 VAC

LABEL LOCATION: MAIN PANEL AC DISCONNECT(S)
[PER CODE: NEC 690.54]

5

**RAPID SHUTDOWN SWITCH
FOR SOLAR PV SYSTEM**

LABEL LOCATION: MAIN PANEL
[PER CODE: NEC 690.12,690.56(C)(3)]

6

WARNING
ELECTRIC SHOCK HAZARD
TERMINALS ON BOTH LINE AND LOAD SIDES MAY
BE ENERGIZED IN THE OPEN POSITION

LABEL LOCATION: COMBINER PANEL
AC DISCONNECT JUNCTION BOX INVERTER(S)
[PER CODE: NEC 690.13]

8

WARNING
PHOTOVOLTAIC SYSTEM
COMBINER PANEL
DO NOT ADD LOADS

LABEL LOCATION: AC COMBINER PANEL
[PER CODE: NEC 690.13(B)]

9

MAXIMUM VOLTAGE: 480 VDC
MAXIMUM CIRCUIT CURRENT: 15 ADC
**MAX. RATED OUTPUT CURRENT OF THE
CHARGE CONTROLLER OR
DC-TO-DC-CONVERTER (IF
INSTALLED)** 15 ADC

LABEL LOCATION: DC DISCONNECT INVERTER
[PER CODE: NEC 690.53 UTILITY]

10

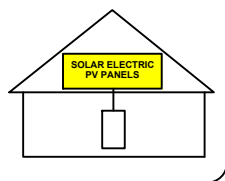
WARNING
ELECTRIC SHOCK HAZARD
TERMINALS ON BOTH LINE AND LOAD SIDES MAY
BE ENERGIZED IN THE OPEN POSITION

DC VOLTAGE IS ALWAYS PRESENT WHEN SOLAR
MODULES ARE EXPOSED TO SUNLIGHT

LABEL LOCATION
DC DISCONNECT INVERTER, COMBINE BOX
[PER CODE: NEC 690.13]

11

**SOLAR PV SYSTEM EQUIPPED
WITH RAPID SHUTDOWN**
TURN RAPID SHUTDOWN
SWITCH TO THE
"OFF" POSITION TO
SHUT DOWN PV SYSTEM
AND REDUCE
SHOCK HAZARD
IN THE ARRAY



LABEL LOCATION: MAIN SERVICE
[PER CODE: NEC 690.12, NEC 690.56(C)(1)(a)]

13

CAUTION
DUAL POWER SOURCE
SECOND SOURCE IS
PHOTOVOLTAIC

LABEL LOCATION :SERVICE METER MAIN PANEL
[PER CODE: UTILITY]

14

WARNING
INVERTER OUTPUT CONNECTION
DO NOT RELOCATE THIS
OVER-CURRENT DEVICE

LABEL LOCATION : (IF APPLICABLE) SERVICE PANEL
[PER CODE: NEC 705.12(D)(7)]

15

**PHOTOVOLTAIC SYSTEM
UTILITY DISCONNECT SWITCH**

LABEL LOCATION :AC DISCONNECT
[PER CODE: NEC 690.13(B)UTILITY]

16

WARNING
ELECTRIC SHOCK HAZARD
IF GROUND FAULT IS INDICATED ALL NORMALLY
GROUNDED CONDUCTORS MAY BE UNGROUNDED
AND ENERGIZED

LABEL LOCATION
AC DISCONNECT COMBINER BOX SERVICE METER
[PER CODE: NEC 690.5(C)]

17

PV SOLAR BREAKER
DO NOT RELOCATE THIS
OVERCURRENT DEVICE

LABEL LOCATION
MAIN PANEL DEAD FRONT
[PER CODE: NEC 705.12(B)(2)(3)(b)]

18

WARNING PHOTOVOLTAIC POWER SOURCE

LABEL LOCATION
DC CONDUIT JUNCTION BOX NO MORE THAN 10FT
[PER CODE: NEC 690.13(G)(3),NEC 690.31(G)(4)]



ADDRESS: 525W, BASELINE RD
MESA AZ,85210

CUSTOMER INFORMATION

NAME:SIGRIDUR MITCHELL

ADDRESS:318 MINERAL SPRING LANE,
FUQUAY VARINA, NC 27526

APN:080-654-009-013

AHJ:NC- TOWN OF FUQUAY VARINA

UTILITY:DUKE ENERGY

PRN NUMBER:TPS-22702



WARNING PLACARDS

DESIGNER /CHECKED
BY: MS/HK

PAPER SIZE:17"X11"

SCALE:AS NOTED

REV:A

DATE:3/31/2021

PL-1

REFLECTIVE AND WEATHER RESISTANCE LABEL REQUIRES CAPTITALIZED LETTERS WITH A MINIMUM HEIGHT OF 3/8 INCH, WHITE LETTERS ON RED BACKGROUND LABELS SHALL BE PLACED AND EXTERIOR DC CONDUIT, RACEWAYS, ENCLOSURE, AND CABLE ASSEMBLES EVERY 10 FEET, WITHIN 1 FOOT OF TURNS OR BENDS AND WITHIN 1 FOOT ABOVE AND BELOW PENETRATIONS OF ROOF/CEILING ASSEMBLIES, WALLS OR BARRIERS.

SAFETY PLANS-1

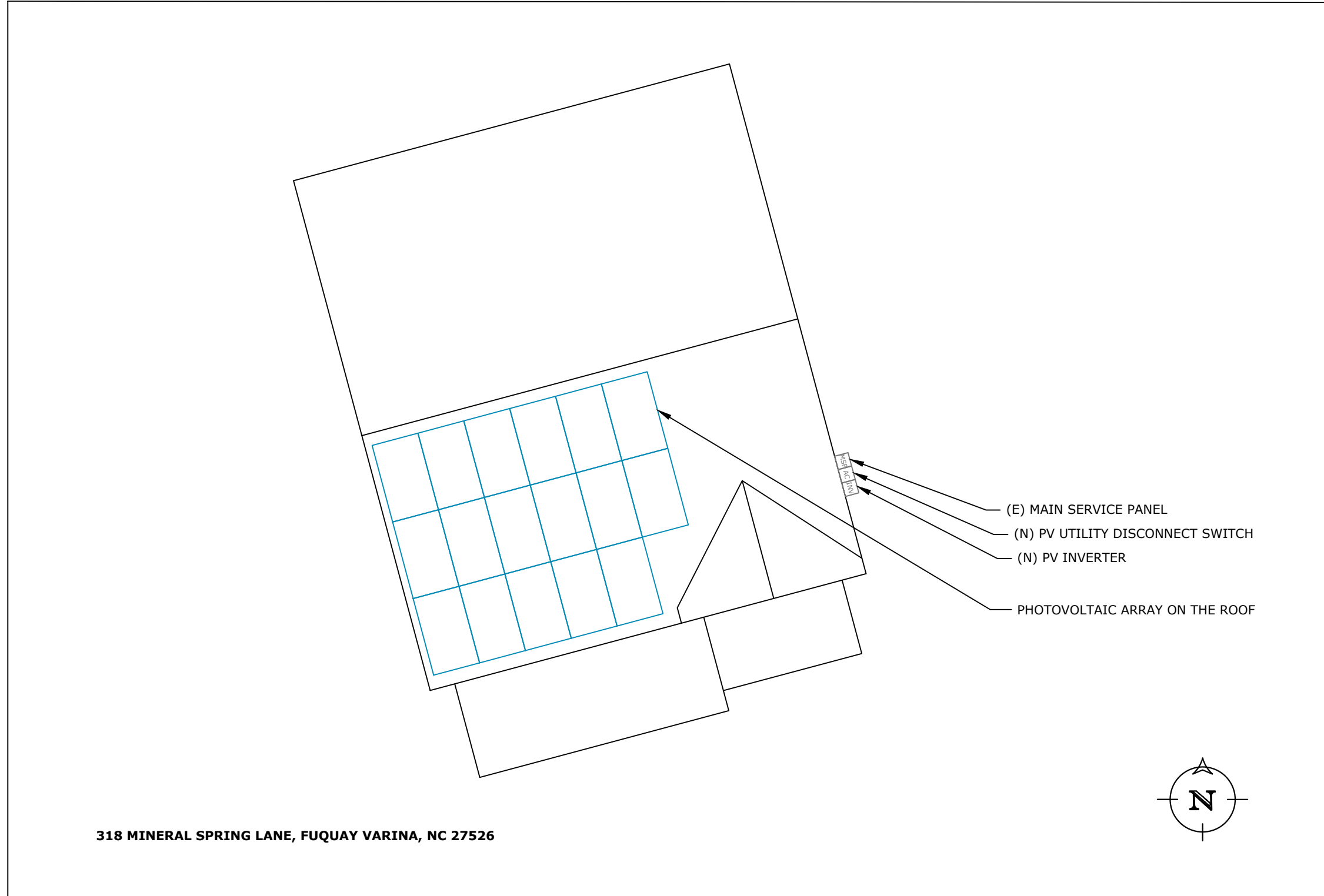
SAFETY PLANS

NOTES:

1. INSTALLERS SHALL DRAW IN DESIGNATED SAFETY AREA AROUND HOME.
2. INSTALLERS SHALL UPDATE NAME ADDRESS AND PHONE NUMBER OF NEAREST.
3. URGENT CARE FACILITY RELATIVE TO THE SITE BEFORE STARTING WORK.

LOCATION OF NEAREST URGENT CARE FACILITY

NAME:
ADDRESS:
PHONE NUMBER:



ADDRESS: 525W, BASELINE RD
MESA AZ,85210

CUSTOMER INFORMATION

NAME:SIGRIDUR MITCHELL

ADDRESS:318 MINERAL SPRING LANE,
FUQUAY VARINA, NC 27526

APN:080-654-009-013

AHJ:NC- TOWN OF FUQUAY VARINA

UTILITY:DUKE ENERGY

PRN NUMBER:TPS-22702



SAFETY PLANS

DESIGNER /CHECKED
BY: MS/HK

PAPER SIZE:17"X11"

SCALE:AS NOTED

REV:A

DATE:3/31/2021

PL-2

SAFETY PLANS-2

SAFETY PLANS

NOTES:

1. INSTALLERS SHALL DRAW IN DESIGNATED SAFETY AREA AROUND HOME.
2. INSTALLERS SHALL UPDATE NAME ADDRESS AND PHONE NUMBER OF NEAREST.
3. URGENT CARE FACILITY RELATIVE TO THE SITE BEFORE STARTING WORK.

LOCATION OF NEAREST URGENT CARE FACILITY

NAME:
ADDRESS:
PHONE NUMBER:

PERSONS COVERED BY THIS JOB SAFETY PLAN

**INJURED AT WORK TODAY?
INITIAL YES OR NO**

PRINT NAME	INITIAL	YES	NO

UNDERGROUND DIG REQUIRED?

YES _____ PERMIT # _____



ADDRESS: 525W, BASELINE RD
MESA AZ,85210

CUSTOMER INFORMATION

NAME:SIGRIDUR MITCHELL

ADDRESS:318 MINERAL SPRING LANE,
FUQUAY VARINA, NC 27526

APN:080-654-009-013

AHJ:NC- TOWN OF FUQUAY VARINA

UTILITY:DUKE ENERGY

PRN NUMBER:TPS-22702



RACKING SPEC SHEET

DESIGNER /CHECKED
BY: MS/HK

PAPER SIZE:17"X11"

SCALE:AS NOTED

REV:A

DATE:3/31/2021

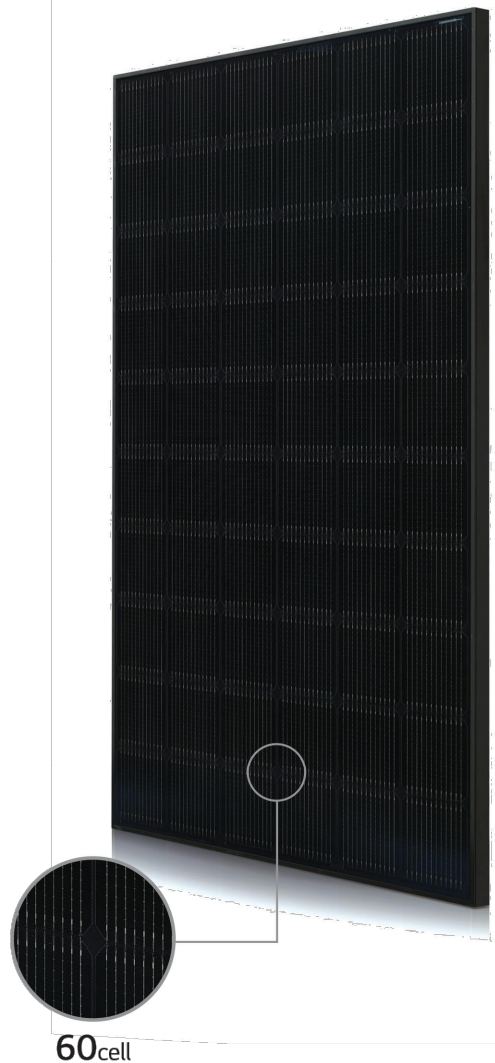
PL-3

SPEC SHEET

LG NeON[®]2 Black

The LG NeON[®] 2 Black is one of the most powerful and versatile modules on the market today, combining LG's Cello technology and monocrystalline N-type solar cells with a stunning black design. The LG NeON[®] 2 Black includes a 25-year product and 90.1% performance warranty for higher performance and reliability.

LG355N1K-B6



FEATURES

90.1%
in year 25

Enhanced Performance Warranty

LG NeON[®]2 Black comes with an enhanced performance warranty. After 25 years of use, the LG NeON[®]2 Black is guaranteed to provide at least 90.1% of initial performance.

25 YEARS
WARRANTY

Industry-Leading Product Warranty

LG offers an industry-leading 25 year product warranty on the NeON[®]2 Black.



Reliable Quality

LG NeON[®]2 Black offers reliable and proven quality through rigorous testing.



Sleek Rooftop Design

The LG NeON[®]2 Black is designed to make the entire module look black, providing a sleek, modern design that blends in seamlessly with the rooftop.



About LG Electronics
LG is transforming today's solar landscape, offering high-efficiency solar panels for customers who demand high performance, reliability and consistently strong energy yield from a brand they can trust. LG's modules feature high power outputs, outstanding durability, appealing aesthetics and high-efficiency technology.



LG NeON[®]2 Black

Preliminary

LG355N1K-B6

General Data

Cell Properties (Material / Type)	Monocrystalline / N-type
Cell Maker	LG
Cell Configuration	60 Cells (6 x 10)
Number of Busbars	12 EA
Module Dimensions (L x W x H)	1,740 x 1,042 x 40mm
Weight	18.6 kg
Glass (Material)	Tempered Glass with AR coating
Backsheet (Color)	Black
Frame (Material)	Anodized Aluminium
Junction Box (Protection Degree)	IP 68 with 3 Bypass Diodes
Cables (Length)	1,100 mm x 2 EA
Connector (Type / Maker)	MC4 / MC

Certifications and Warranty

Certifications	IEC 61215-1 / -1-1 / 2:2016, IEC 61730-1 / 2:2016, UL 61730-1:2017, UL 61730-2:2017
	ISO 9001, ISO 14001, ISO 50001
	OHSAS 18001
Salt Mist Corrosion Test	IEC 61701 : 2011 Severity 6
Ammonia Corrosion Test	IEC 62716 : 2013
Module Fire Performance	Type 2 (UL 61730)
Fire Rating	Class C (UL 790)
Solar Module Product Warranty	25 Years
Solar Module Output Warranty	Linear Warranty*

* 1) First years : 98%, 2) After 1st year : -0.33%/year, 3) 90.1% for 25 years

Temperature Characteristics

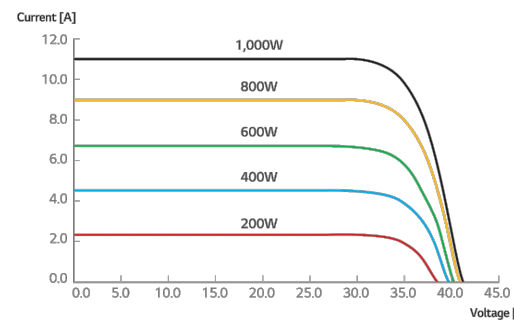
NMOT*	[°C]	42 ± 3
Pmax	[%/°C]	-0.35
Voc	[%/°C]	-0.26
Isc	[%/°C]	0.03

* NMOT (Nominal Module Operating Temperature)
: Irradiance 800W/m², Ambient temperature 20°C, Wind speed 1m/s, Spectrum AM 1.5

Electrical Properties (NMOT)

Model	LG355N1K-B6	
Maximum Power (Pmax)	[W]	266
MPP Voltage (Vmpp)	[V]	32.9
MPP Current (Impp)	[A]	8.10
Open Circuit Voltage (Voc)	[V]	39.1
Short Circuit Current (Isc)	[A]	8.61

I-V Curves



Electrical Properties (STC*)

Model	LG355N1K-B6	
Maximum Power (Pmax)	[W]	355
MPP Voltage (Vmpp)	[V]	35.0
MPP Current (Impp)	[A]	10.15
Open Circuit Voltage (Voc, ± 5%)	[V]	41.5
Short Circuit Current (Isc, ± 5%)	[A]	10.72
Module Efficiency	[%]	19.6
Power Tolerance	[%]	0 ~ +3

* STC (Standard Test Condition)
: Irradiance 1,000 W/m², Cell temperature 25°C, AM 1.5, Measure tolerance of Pmax : ±3%

Operating Conditions

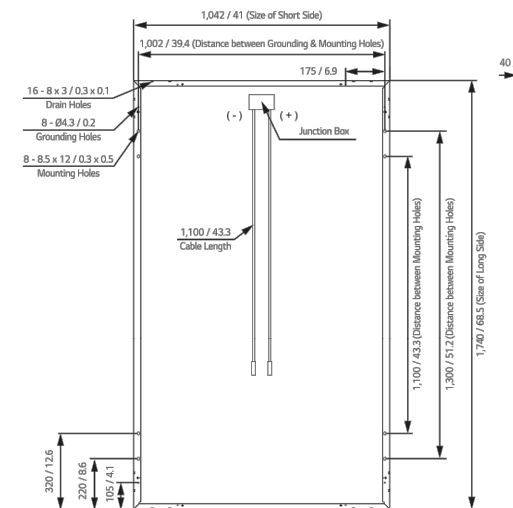
Operating Temperature	[°C]	-40 ~ +85
Maximum System Voltage	[V]	1,000
Maximum Series Fuse Rating	[A]	20
Mechanical Test Load* (Front)	[Pa]	5,400
Mechanical Test Load* (Rear)	[Pa]	4,000

* Based on IEC 61215-2 : 2016 (Test Load = Design Load x Safety Factor(1.5))
※ Mechanical Test Loads 6,000 Pa / 5,400 Pa based on IEC 61215 : 2005

Packaging Configuration

Number of Modules Per Pallet	[EA]	25
Number of Modules Per 40ft HQ Container	[EA]	650
Packaging Box Dimensions (L x W x H)	[mm]	1,790 x 1,120 x 1,213
Packaging Box Gross Weight	[kg]	500

Dimensions (mm/inch)



LG Life's Good
LG Electronics Inc.
Energy Business Division
LG Twin Towers, 128 Yeouil-daero, Yeongdeungpo-gu, Seoul 07336, Korea
www.lg-solar.com

Product specifications are subject to change without notice.
© 2021 LG Electronics. All rights reserved.



ADDRESS: 525W, BASELINE RD
MESA AZ,85210

CUSTOMER INFORMATION

NAME:SIGRIDUR MITCHELL

ADDRESS:318 MINERAL SPRING LANE,
FUQUAY VARINA, NC 27526

APN:080-654-009-013

AHJ:NC- TOWN OF FUQUAY VARINA

UTILITY:DUKE ENERGY

PRN NUMBER:TPS-22702



MODULE SPEC SHEET

DESIGNER /CHECKED
BY: MS/HK

PAPER SIZE:17"X11"

SCALE:AS NOTED

REV:A

DATE:3/31/2021

SS-1

SPEC SHEET

Single Phase Inverter with HD-Wave Technology

for North America

SE3000H-US / SE3800H-US / SE5000H-US / SE6000H-US / SE7600H-US / SE10000H-US / SE11400H-US



12-25
YEAR WARRANTY

INVERTERS

Optimized installation with HD-Wave technology

- Specifically designed to work with power optimizers
- Record-breaking 99% weighted efficiency
- Quick and easy inverter commissioning directly from a smartphone using the SolarEdge SetApp
- Fixed voltage inverter for longer strings
- Integrated arc fault protection and rapid shutdown for NEC 2014 and 2017, per article 690.11 and 690.12
- UL1741 SA certified, for CPUC Rule 21 grid compliance
- Small, lightweight, and easy to install both outdoors or indoors
- Built-in module-level monitoring
- Optional: Faster installations with built-in consumption metering (1% accuracy) and production revenue grade metering (0.5% accuracy, ANSI C12.20)

solaredge.com



Single Phase Inverter with HD-Wave Technology for North America

SE3000H-US / SE3800H-US / SE5000H-US / SE6000H-US / SE7600H-US / SE10000H-US / SE11400H-US

MODEL NUMBER	SE3000H-US	SE3800H-US	SE5000H-US	SE6000H-US	SE7600H-US	SE10000H-US	SE11400H-US	
APPLICABLE TO INVERTERS WITH PART NUMBER	SEXXXH-XXXXBXX4							
OUTPUT								
Rated AC Power Output	3000	3800 @ 240V 3300 @ 208V	5000	6000 @ 240V 5000 @ 208V	7600	10000	11400 @ 240V 10000 @ 208V	VA
Maximum AC Power Output	3000	3800 @ 240V 3300 @ 208V	5000	6000 @ 240V 5000 @ 208V	7600	10000	11400 @ 240V 10000 @ 208V	VA
AC Output Voltage Min.-Nom.-Max. (211 - 240 - 264)	✓	✓	✓	✓	✓	✓	✓	Vac
AC Output Voltage Min.-Nom.-Max. (183 - 208 - 229)	-	✓	-	✓	-	-	✓	Vac
AC Frequency (Nominal)	59.3 - 60 - 60.5 ^①							Hz
Maximum Continuous Output Current @240V	12.5	16	21	25	32	42	47.5	A
Maximum Continuous Output Current @208V	-	16	-	24	-	-	48.5	A
Power Factor	1, Adjustable - 0.85 to 0.85							
GFDI Threshold	1							A
Utility Monitoring, Islanding Protection, Country Configurable Thresholds	Yes							
INPUT								
Maximum DC Power @240V	4650	5900	7750	9300	11800	15500	17650	W
Maximum DC Power @208V	-	5100	-	7750	-	-	15500	W
Transformer-less, Ungrounded	Yes							
Maximum Input Voltage	380			480			400	Vdc
Nominal DC Input Voltage								Vdc
Maximum Input Current @240V ^②	8.5	10.5	13.5	16.5	20	27	30.5	Adc
Maximum Input Current @208V ^②	-	9	-	13.5	-	-	27	Adc
Max. Input Short Circuit Current	45							Adc
Reverse-Polarity Protection	Yes							
Ground-Fault Isolation Detection	600k Ω Sensitivity							
Maximum Inverter Efficiency	99	99.2						%
CEC Weighted Efficiency	99						99 @ 240V 98.5 @ 208V	%
Nighttime Power Consumption	< 2.5							W

^① For other regional settings please contact SolarEdge support
^② A higher current source may be used; the inverter will limit its input current to the values stated



ADDRESS: 525W, BASELINE RD
MESA AZ,85210

CUSTOMER INFORMATION

NAME: SIGRIDUR MITCHELL

ADDRESS: 318 MINERAL SPRING LANE,
FUQUAY VARINA, NC 27526

APN: 080-654-009-013

AHJ: NC- TOWN OF FUQUAY VARINA

UTILITY: DUKE ENERGY

PRN NUMBER: TPS-22702



INVERTER SPEC SHEET

DESIGNER /CHECKED BY: MS/HK

PAPER SIZE: 17"X11"

SCALE: AS NOTED

REV: A

DATE: 3/31/2021

SS-2

SPEC SHEET

/ Single Phase Inverter with HD-Wave Technology for North America

SE3000H-US / SE3800H-US / SE5000H-US / SE6000H-US/
SE7600H-US / SE10000H-US / SE11400H-US

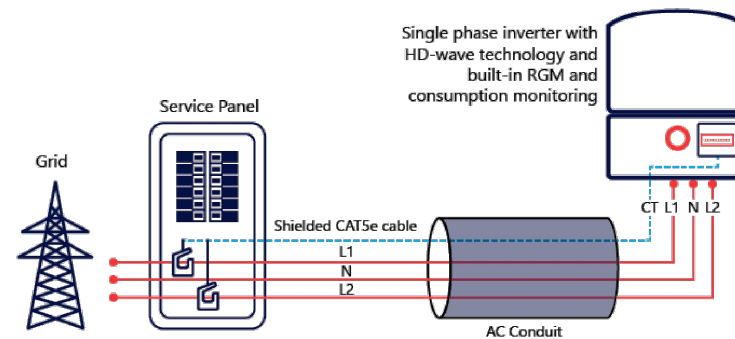
MODEL NUMBER	SE3000H-US	SE3800H-US	SE5000H-US	SE6000H-US	SE7600H-US	SE10000H-US	SE11400H-US	
ADDITIONAL FEATURES								
Supported Communication Interfaces	RS485, Ethernet, ZigBee (optional), Cellular (optional)							
Revenue Grade Metering, ANSI C12.20	Optional ⁽⁸⁾							
Consumption metering								
Inverter Commissioning	With the SetApp mobile application using Built-in Wi-Fi Access Point for Local Connection							
Rapid Shutdown - NEC 2014 and 2017 690.12	Automatic Rapid Shutdown upon AC Grid Disconnect							
STANDARD COMPLIANCE								
Safety	UL1741, UL1741 SA, UL1699B, CSA C22.2, Canadian AFCI according to T.I.L. M-07							
Grid Connection Standards	IEEE1547, Rule 21, Rule 14 (H)							
Emissions	FCC Part 15 Class B							
INSTALLATION SPECIFICATIONS								
AC Output Conduit Size / AWG Range	1" Maximum / 14-6 AWG			1" Maximum /14-4 AWG				
DC Input Conduit Size / # of Strings / AWG Range	1" Maximum / 1-2 strings / 14-6 AWG			1" Maximum / 1-3 strings / 14-6 AWG				
Dimensions with Safety Switch (HxWxD)	17.7 x 14.6 x 6.8 / 450 x 370 x 174			21.3 x 14.6 x 7.3 / 540 x 370 x 185			in / mm	
Weight with Safety Switch	22 / 10	25.1 / 11.4	26.2 / 11.9	38.8 / 17.6			lb / kg	
Noise	< 25			<50				dBA
Cooling	Natural Convection							
Operating Temperature Range	-40 to +140 / -40 to +60 ⁽⁹⁾							°F / °C
Protection Rating	NEMA 4X (Inverter with Safety Switch)							

⁽⁸⁾ Inverter with Revenue Grade Meter P/N: SExxxxH-US000BNC4; Inverter with Revenue Grade Production and Consumption Meter P/N: SExxxxH-US000BN4. For consumption metering, current transformers should be ordered separately: SEACT0750-200NA-20 or SEACT0750-400NA-20. 20 units per box

⁽⁹⁾ Full power up to at least 50°C / 122°F; for power de-rating information refer to: <https://www.solaredge.com/sites/default/files/se-temperature-derating-note-na.pdf>

How to Enable Consumption Monitoring

By simply wiring current transformers through the inverter's existing AC conduits and connecting them to the service panel, homeowners will gain full insight into their household energy usage helping them to avoid high electricity bills



© SolarEdge Technologies, Inc. All rights reserved. SOLAREEDGE, the SolarEdge logo, OPTIMIZED BY SOLAREEDGE are trademarks or registered trademarks of SolarEdge Technologies, Inc. All other trademarks mentioned herein are trademarks of their respective owners. Date: 01/2020/V01/ENG NAM. Subject to change without notice.

RoHS



ADDRESS: 525W, BASELINE RD
MESA AZ,85210

CUSTOMER INFORMATION

NAME:SIGRIDUR MITCHELL

ADDRESS:318 MINERAL SPRING LANE,
FUQUAY VARINA, NC 27526

APN:080-654-009-013

AHJ:NC- TOWN OF FUQUAY VARINA

UTILITY:DUKE ENERGY

PRN NUMBER:TPS-22702



INVERTER SPEC SHEET

DESIGNER /CHECKED
BY: MS/HK

PAPER SIZE:17"X11"

SCALE:AS NOTED

REV:A

DATE:3/31/2021

SS-3

Power Optimizer

For North America

P370 / P400 / P401 / P485 / P505



POWER OPTIMIZER

PV power optimization at the module-level

- Specifically designed to work with SolarEdge inverters
- Up to 25% more energy
- Superior efficiency (99.5%)
- Mitigates all types of module mismatch losses, from manufacturing tolerance to partial shading
- Flexible system design for maximum space utilization
- Fast installation with a single bolt
- Next generation maintenance with module-level monitoring
- Meets NEC requirements for arc fault protection (AFCI) and Photovoltaic Rapid Shutdown System (PVRSS)
- Module-level voltage shutdown for installer and firefighter safety

solaredge.com



Power Optimizer For North America

P370 / P400 / P401 / P485 / P505

Optimizer model (typical module compatibility)	P370 (for higher-power 60 and 72-cell modules)	P400 (for 72 & 96-cell modules)	P401 (for high power 60 and 72 cell modules)	P485 (for high-voltage modules)	P505 (for higher current modules)	
INPUT						
Rated Input DC Power ⁽¹⁾	370		400	485	505	W
Absolute Maximum Input Voltage (Voc at lowest temperature)	60	80	60	125 ⁽²⁾	83 ⁽²⁾	Vdc
MPPT Operating Range	8 - 60	8 - 80	8-60	12.5 - 105	12.5 - 83	Vdc
Maximum Short Circuit Current (Isc)	11	10.1	11.75	11	14	Adc
Maximum Efficiency			99.5			%
Weighted Efficiency			98.8			%
Overvoltage Category			II			
OUTPUT DURING OPERATION (POWER OPTIMIZER CONNECTED TO OPERATING SOLAREEDGE INVERTER)						
Maximum Output Current			15			Adc
Maximum Output Voltage		60		85		Vdc
OUTPUT DURING STANDBY (POWER OPTIMIZER DISCONNECTED FROM SOLAREEDGE INVERTER OR SOLAREEDGE INVERTER OFF)						
Safety Output Voltage per Power Optimizer			1 ± 0.1			Vdc
STANDARD COMPLIANCE						
Photovoltaic Rapid Shutdown System	NEC 2014, 2017 & 2020		NEC 2014, 2017 & 2020		NEC 2014, 2017 & 2020	
EMC	FCC Part 15 Class B, IEC61000-6-2, IEC61000-6-3					
Safety	IEC62109-1 (class II safety), UL1741					
Material	UL94 V-0, UV Resistant					
RoHS	Yes					
INSTALLATION SPECIFICATIONS						
Maximum Allowed System Voltage	1000					Vdc
Compatible inverters	All SolarEdge Single Phase and Three Phase inverters					
Dimensions (W x L x H)	129 x 153 x 27.5 / 5.1 x 6 x 1.1	129 x 153 x 33.5 / 5.1 x 6 x 1.3	129 x 153 x 29.5 / 5.1 x 6 x 1.16	129 x 153 x 33.5 / 5.1 x 6 x 1.3	129 x 162 x 59 / 5.1 x 6.4 x 2.3	mm / in
Weight (including cables)	655 / 1.4	750 / 1.7	655 / 1.4	845 / 1.9	1064 / 2.3	gr / lb
Input Connector	MC4 ⁽³⁾			Single or dual MC4 ⁽³⁾⁽⁴⁾		MC4 ⁽³⁾
Input Wire Length	0.16 / 0.52, 0.9 / 2.95 ⁽⁵⁾	0.16 / 0.52	0.16 / 0.52, 0.9 / 2.95 ⁽⁵⁾	0.16 / 0.52	0.16 / 0.52	m / ft
Output Wire Type / Connector	Double Insulated / MC4					
Output Wire Length	1.2 / 3.9					m / ft
Operating Temperature Range ⁽⁵⁾	-40 to +85 / -40 to +185					°C / °F
Protection Rating	IP68 / NEMA6P					
Relative Humidity	0 - 100					%

(1) Rated power of the module at STC will not exceed the optimizer "Rated Input DC Power". Modules with up to +5% power tolerance are allowed
 (2) NEC 2017 requires max input voltage be not more than 80V
 (3) For other connector types please contact SolarEdge
 (4) For dual version for parallel connection of two modules use P485-4NMDMRM. In the case of an odd number of PV modules in one string, installing one P485 dual version power optimizer connected to one PV module. When connecting a single module seal the unused input connectors with the supplied pair of seals
 (5) For ambient temperature above +85°C / +185°F power de-rating is applied. Refer to Power Optimizers Temperature De-Rating Technical Note for more details

PV System Design Using a SolarEdge Inverter ⁽⁶⁾⁽⁷⁾	Single Phase HD-Wave	Single phase	Three Phase for 208V grid	Three Phase for 277/480V grid	
Minimum String Length (Power Optimizers)	P370, P400, P401 P485, P505	8	10	18	
Maximum String Length (Power Optimizers)		6	8	14	
Maximum Nominal Power per String		25	25	50	
Parallel Strings of Different Lengths or Orientations	5700 ⁽⁸⁾ (6000 with SE7600-US - SE11400-US)	5250 ⁽⁸⁾	6000 ⁽⁸⁾	12750 ⁽⁸⁾⁽⁹⁾	W

(6) For detailed string sizing information refer to: http://www.solaredge.com/sites/default/files/string_sizing_na.pdf
 (7) It is not allowed to mix P485/P505 with P370/P400/P401 in one string
 (8) If the inverters rated AC power ≤ maximum nominal power per string, then the maximum power per string will be able to reach up to the inverters maximum input DC power. Refer to: <https://www.solaredge.com/sites/default/files/se-power-optimizer-single-string-design-application-note.pdf>
 (9) For 208V grid, it is allowed to install up to 7,200W per string when the maximum power difference between each string is 1,000W
 (10) For 277/480V grid, it is allowed to install up to 15,000W per string when the maximum power difference between each string is 2,000W



ADDRESS: 525W, BASELINE RD
MESA AZ,85210

CUSTOMER INFORMATION

NAME:SIGRIDUR MITCHELL

ADDRESS:318 MINERAL SPRING LANE,
FUQUAY VARINA, NC 27526

APN:080-654-009-013

AHJ:NC- TOWN OF FUQUAY VARINA

UTILITY:DUKE ENERGY

PRN NUMBER:TPS-22702



OPTIMIZER SPEC SHEET

DESIGNER /CHECKED BY: MS/HK PAPER SIZE:17"X11"

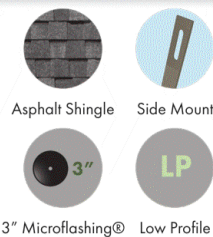
SCALE:AS NOTED REV:A

DATE:3/31/2021 SS-4

SPEC SHEET



LOW PROFILE QUICKBOLT With 3" Microflashing® | Fixed Height



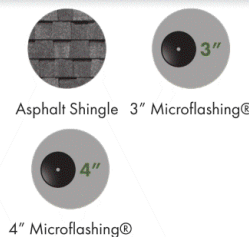
PN#	BOX QTY
17664	5.25" Bolts (10)
17666	Bolts + 3" Microflashing® (10ea.)
17667SS	Bolts + 3" Microflashing® + SS L-Foot + Nuts (25ea.)

First & only Microflashing® in the industry
Stainless Steel L-Foot
Fastest installation in the industry
UL Certified

Patent #8448407



3" & 4" MICROFLASHING® For QuickBOLT



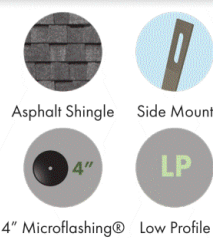
PN#	BOX QTY
17669	3" Microflashing® (10)
17659	4" Microflashing® (40)

First & only Microflashing® in the industry
Original Microflashing® design
EPDM on bottom, Stainless Steel on top
Compresses to composite shingle roof
Leak-proof seal
UL Certified

Patent #8448407



LOW PROFILE QUICKBOLT With 4" Microflashing® | Fixed Height



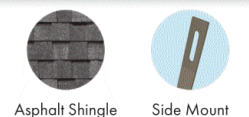
PN#	BOX QTY
17664	5.25" Bolts (10)
17720	Bolts + 4" Microflashing® (10ea.)
17721SS	Bolts + 4" Microflashing® + SS L-Foot + Nuts (20ea.)

First & only Microflashing® in the industry
Stainless Steel L-Foot
4" Microflashing® provides more coverage
Fastest installation in the industry
UL Certified

Patent #8448407



LOW PROFILE & OFFSET L-FOOT For QuickBOLT

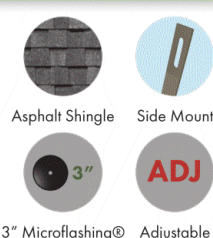


PN#	BOX QTY
15891SS	SS L-Foot (10)
15894SS	SS L-Foot (10)

Stainless Steel
Rail slot for adjustability when connecting T-Bolts



7" QUICKBOLT With 3" Microflashing® | Adjustable



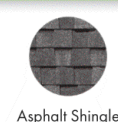
PN#	BOX QTY
17670	7" Bolts (10)
17671	Bolts + 3" Microflashing® (10ea.)
17672SS	Bolts (20) + 3" Microflashing® (20) + SS L-Foot (20) + Nuts (40)

First & only Microflashing® in the industry
Stainless Steel L-Foot
UL Certified

Patent #8448407



QUICK RATCHET CONDUIT CLAMP For QuickBOLT Mounting Kits

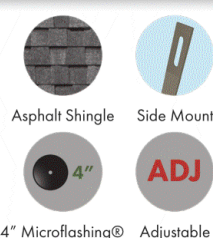


PN#	BOX QTY	SCREW SIZE
16255	10 Clamps	N/A

For running conduit
Attaches directly to any QuickBOLT Mounting Kit
Offers flexibility in bundling cables/wires



7" QUICKBOLT With 4" Microflashing® | Adjustable



PN#	BOX QTY
17670	7" Bolts (10)
17723	Bolts + 4" Microflashing® (10ea.)
17724SS	Bolts (15) + 4" Microflashing® (15) + SS L-Foot (15) + Nuts (30)

First & only Microflashing® in the industry
Stainless Steel L-Foot
4" Microflashing® provides more coverage
UL Certified

Patent #8448407



L-FOOT MOUNTING KIT Fixed Height | Black Galva Flashing



PN#	BOX QTY	SCREW SIZE
17713	20 Flashing + L-Foot	5/16" x 4"

Stainless Steel L-Foot mounting system
Stronger than Aluminum Flashing



ADDRESS: 525W, BASELINE RD
MESA AZ,85210

CUSTOMER INFORMATION

NAME:SIGRIDUR MITCHELL

ADDRESS:318 MINERAL SPRING LANE,
FUQUAY VARINA, NC 27526

APN:080-654-009-013

AHJ:NC- TOWN OF FUQUAY VARINA

UTILITY:DUKE ENERGY

PRN NUMBER:TPS-22702



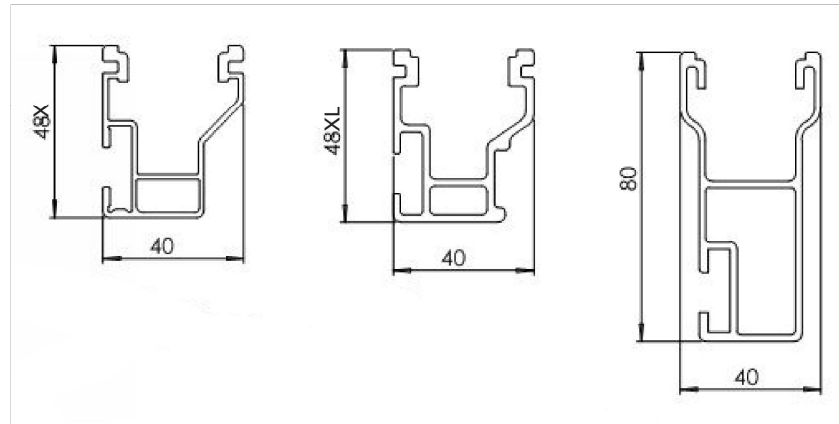
MOUNT SPEC SHEET

DESIGNER /CHECKED BY: MS/HK PAPER SIZE:17"X11"

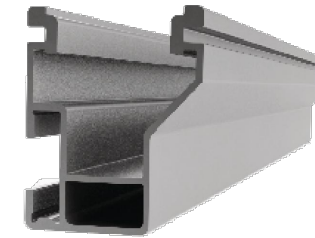
SCALE:AS NOTED REV:A

DATE:3/31/2021 SS-5

SPEC SHEET



CrossRail 48-X

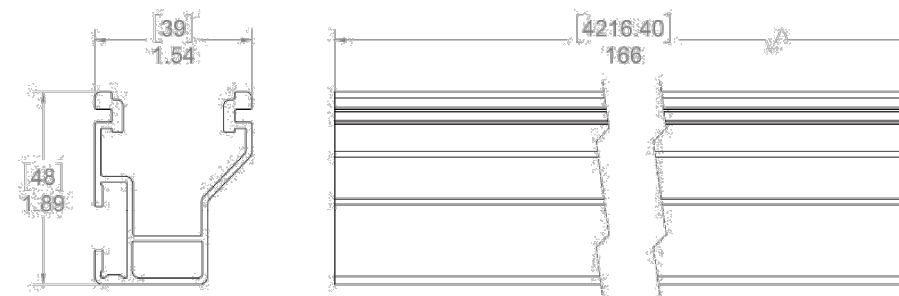


Mechanical Properties

	CrossRail 48-X
Material	6000 Series Aluminum
Ultimate Tensile Strength	37.7 ksi (260 MPa)
Yield Strength	34.8 ksi (240 MPa)
Weight	0.56 lbs/ft (0.833 kg/m)
Finish	Mill or Dark Anodized

Section Properties

	CrossRail 48-X
Sx	0.1980 in ³ (3.261 cm ³)
Sy	0.1510 in ³ (2.507 cm ³)
A (X-Section)	0.4650 in ² (3.013 cm ²)



Dimensions in [mm] Inches

Notes:

- ▶ Structural values and span charts determined in accordance with Aluminum Design Manual and ASCE 7-10
- ▶ UL2703 Listed System for Fire and Bonding

Technical data

	CrossRail System
Roof Type	Composition shingle, tile, standing seam
Material	High corrosion resistance stainless steel and high grade aluminum
Flexibility	Modular construction, suitable for any system size, height adjustable
PV Modules	For all common module types
Module Orientation	Portrait and landscape
Roof Attachment	Screw connection into rafter
Structural Validity	IBC compliant, stamped engineering letters available for all solar states
Warranty	25 years



www.everest-solarsystems.com

www.everest-solarsystems.com



ADDRESS: 525W, BASELINE RD
MESA AZ,85210

CUSTOMER INFORMATION

NAME:SIGRIDUR MITCHELL

ADDRESS:318 MINERAL SPRING LANE,
FUQUAY VARINA, NC 27526

APN:080-654-009-013

AHJ:NC- TOWN OF FUQUAY VARINA

UTILITY:DUKE ENERGY

PRN NUMBER:TPS-22702



RAIL SPEC SHEET

DESIGNER /CHECKED
BY: MS/HK

PAPER SIZE:17"X11"

SCALE:AS NOTED

REV:A

DATE:3/31/2021

SS-6