

GENERAL NOTES

CODES AND STANDARDS

1. ALL WORK SHALL COMPLY WITH 2017 NATIONAL ELECTRIC CODE (NEC), 2018 NORTH CAROLINA BUILDING CODE (NCBC), 2018 NORTH CAROLINA RESIDENTIAL CODE (NCR), PLUMBING CODE (NCP), AND ALL STATE AND LOCAL BUILDING, ELECTRICAL, AND PLUMBING CODES.
2. DRAWINGS HAVE BEEN DETAILED ACCORDING TO UL LISTING REQUIREMENTS.

SITE NOTES / OSHA REGULATION

1. A LADDER SHALL BE IN PLACE FOR INSPECTION IN COMPLIANCE WITH OSHA REGULATIONS.
2. THE PV MODULES ARE CONSIDERED NON-COMBUSTIBLE AND THIS SYSTEM IS A UTILITY INTERACTIVE SYSTEM WITH NO STORAGE BATTERIES.
3. THE SOLAR PV INSTALLATION SHALL NOT OBSTRUCT ANY PLUMBING, MECHANICAL, OR BUILDING ROOF VENTS.
4. ROOF COVERINGS SHALL BE DESIGNED, INSTALLED, AND MAINTAINED IN ACCORDANCE WITH THIS CODE AND THE APPROVED MANUFACTURER'S INSTRUCTIONS SUCH THAT THE ROOF COVERING SHALL SERVE TO PROTECT THE BUILDING OR STRUCTURE.

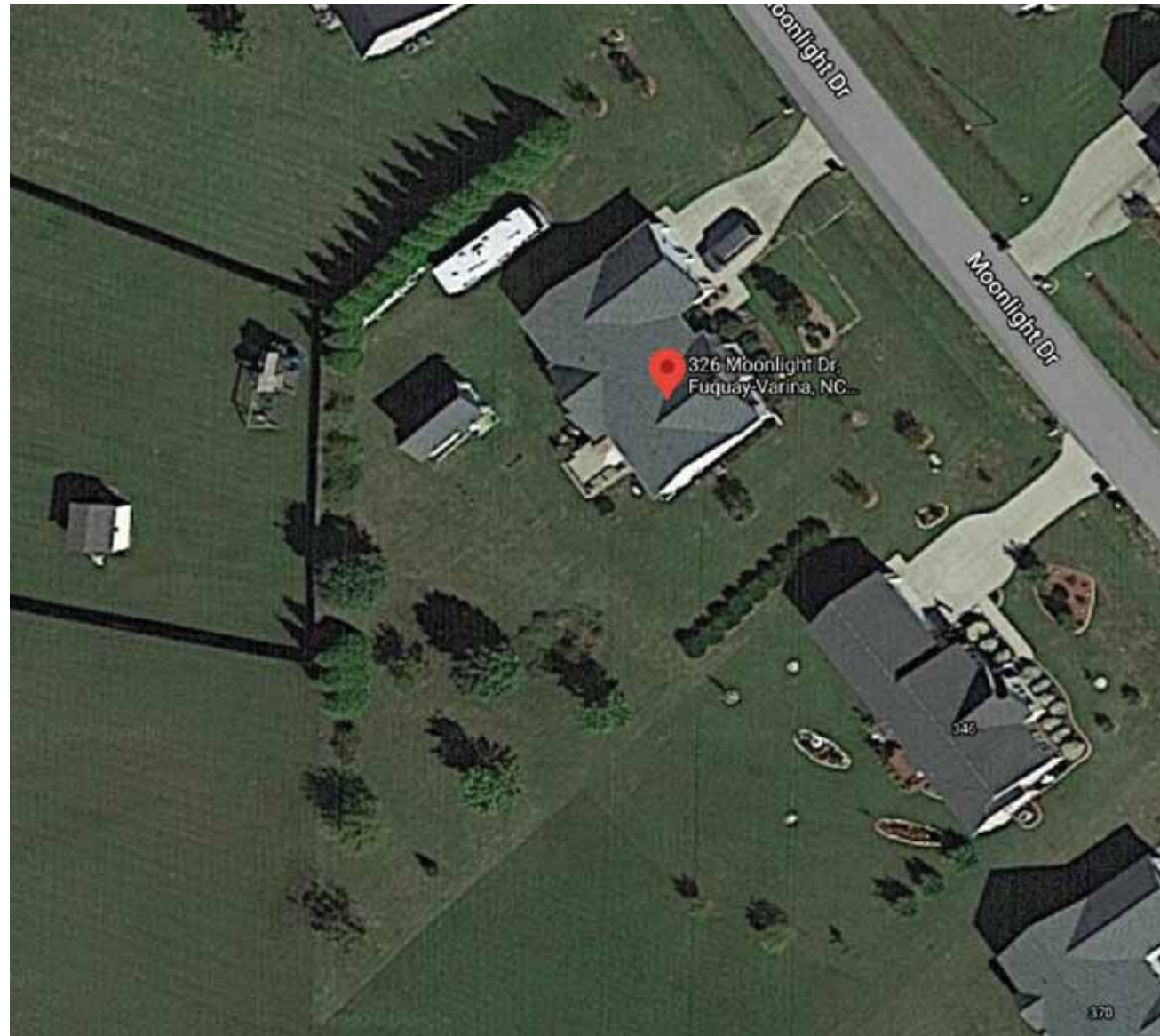
SOLAR CONTRACTOR

1. MODULE CERTIFICATIONS WILL INCLUDE UL1703, IEC61646, IEC61730.
2. IF APPLICABLE, MODULE GROUNDING LUGS MUST BE INSTALLED AT THE MARKED GROUNDING LUG HOLES PER THE MANUFACTURERS' INSTALLATION REQUIREMENTS.
3. AS INDICATED BY DESIGN, OTHER NRTL LISTED MODULE GROUNDING DEVICES MAY BE USED IN PLACE OF STANDARD GROUNDING LUGS AS SHOWN IN MANUFACTURER DOCUMENTATION AND APPROVED BY THE AHJ.
4. CONDUIT AND WIRE SPECIFICATIONS ARE BASED ON MINIMUM CODE REQUIREMENTS AND ARE NOT MEANT TO LIMIT UP-SIZING AS REQUIRED BY FIELD CONDITIONS.
5. CONDUIT POINT OF PENETRATION FROM EXTERIOR TO INTERIOR TO BE INSTALLED AND SEALED WITH A SUITABLE SEALING COMPOUND.
6. DC WIRING LIMITED TO MODULE FOOTPRINT W/ ENPHASE AC SYSTEM.
7. ENPHASE WIRING SYSTEMS SHALL BE LOCATED AND SECURED UNDER THE ARRAY W/ SUITABLE WIRING CLIPS.
8. MAX DC VOLTAGE CALCULATED USING MANUFACTURER PROVIDED TEMP COEFFICIENT FOR VOC UNLESS NOT AVAILABLE.
9. ALL INVERTERS, MOTOR GENERATORS, PHOTOVOLTAIC MODULES, PHOTOVOLTAIC PANELS, AC PHOTOVOLTAIC MODULES, DC COMBINERS, DC-TO-DC CONVERTERS, SOURCE CIRCUIT COMBINERS, AND CHARGE CONTROLLERS INTENDED FOR USE IN A PHOTOVOLTAIC POWER SYSTEM WILL BE IDENTIFIED AND LISTED FOR THE APPLICATION PER 690.4 (B).
10. ALL SIGNAGE TO BE PLACED IN ACCORDANCE WITH LOCAL BUILDING CODE.
11. TERMINALS AND LUGS WILL BE TIGHTENED TO MANUFACTURER TORQUE SPECIFICATIONS (WHEN PROVIDED) IN ACCORDANCE WITH NEC CODE 110.14(D) ON ALL ELECTRICAL CONNECTIONS.

EQUIPMENT LOCATIONS

1. PROPER ACCESS AND WORKING CLEARANCE AROUND EXISTING AND PROPOSED ELECTRICAL EQUIPMENT WILL BE PROVIDED AS PER SECTION [NEC 110.26].
2. EQUIPMENT INSTALLED IN DIRECT SUNLIGHT MUST BE RATED FOR EXPECTED OPERATING TEMPERATURE AS SPECIFIED BY [NEC 690.31 (A)] AND [NEC TABLE 310.15 (B)].
3. ADDITIONAL AC DISCONNECTS SHALL BE PROVIDED WHERE THE INVERTER IS NOT ADJACENT TO THE UTILITY AC DISCONNECT, OR NOT WITHIN SIGHT OF THE UTILITY AC DISCONNECT.
4. ALL EQUIPMENT SHALL BE INSTALLED ACCESSIBLE TO QUALIFIED PERSONNEL ACCORDING TO NEC APPLICABLE CODES.
5. ALL COMPONENTS ARE LISTED FOR THEIR PURPOSE AND RATED FOR OUTDOOR USAGE WHEN APPROPRIATE.

AERIAL VIEW



1403 N RESEARCH WAY, BUILDING J
OREM, UT 84097
800-377-4480
WWW.BLUERAVENSOLAR.COM

CONFIDENTIAL - THE INFORMATION HEREIN CONTAINED SHALL NOT BE USED FOR THE BENEFIT OF ANYONE EXCEPT BLUERAVENSOLAR NOR SHALL IT BE DISCLOSED IN WHOLE OR IN PART TO OTHERS OUTSIDE RECIPIENTS ORGANIZATION, EXCEPT IN CONNECTION WITH THE SALE AND USE OF THE RESPECTIVE EQUIPMENT, WITHOUT THE WRITTEN PERMISSION OF BLUERAVENSOLAR LLC.



CONTRACTOR:
BRS FIELD OPS
385.498.6700

SITE INFORMATION:
Lloyd Derby
326 Moonlight Dr
Fuquay-Varina, North Carolina 27526

DESIGN CRITERIA
WIND SPEED: 115 MPH
GROUND SNOW LOAD: 15 PSF
WIND EXPOSURE FACTOR: C
SEISMIC DESIGN CATEGORY: B

SITE SPECIFICATIONS
CONSTRUCTION - V-B
ZONING: RESIDENTIAL

SHEET INDEX
PV1 - COVER SHEET
PV2 - PROPERTY PLAN
PV3 - SITE PLAN
PV4 - EQUIPMENT & ATTACHMENT DETAIL
PV5 - ELECTRICAL SINGLE LINE DIAGRAM
PV6 - ELECTRICAL CALCULATIONS & ELECTRICAL NOTES
PV7 - MAIN BREAKER DERATE CALCS. (IF NEEDED)
PV8 - LABELS & LOCATIONS
PV9 - CUSTOM DIRECTORY PLACARD (IF NEEDED - NEC 690.56(B))

UTILITY COMPANY: ----
PERMIT ISSUER: Harnett County

SCOPE OF WORK
INSTALLATION OF UTILITY INTERACTIVE PHOTOVOLTAIC SOLAR SYSTEM
8.775 kW DC PHOTOVOLTAIC SOLAR ARRAY
ROOF TYPE: Comp Shingle
MODULES: (27) REC Solar REC325TP3M
INVERTER(S): Enphase IQ7-60-2-US,----
RACKING: Unirac SFM Infinity



Sealed For Existing Roof & Attachment Only

5/18/2021

Digitally signed by John A. Calvert
Date: 2021.05.18 09:44:43 -06'00'

DRAWING BY
Eric Thomas

DATE
May 14, 2021

PROJECT NUMBER
324685

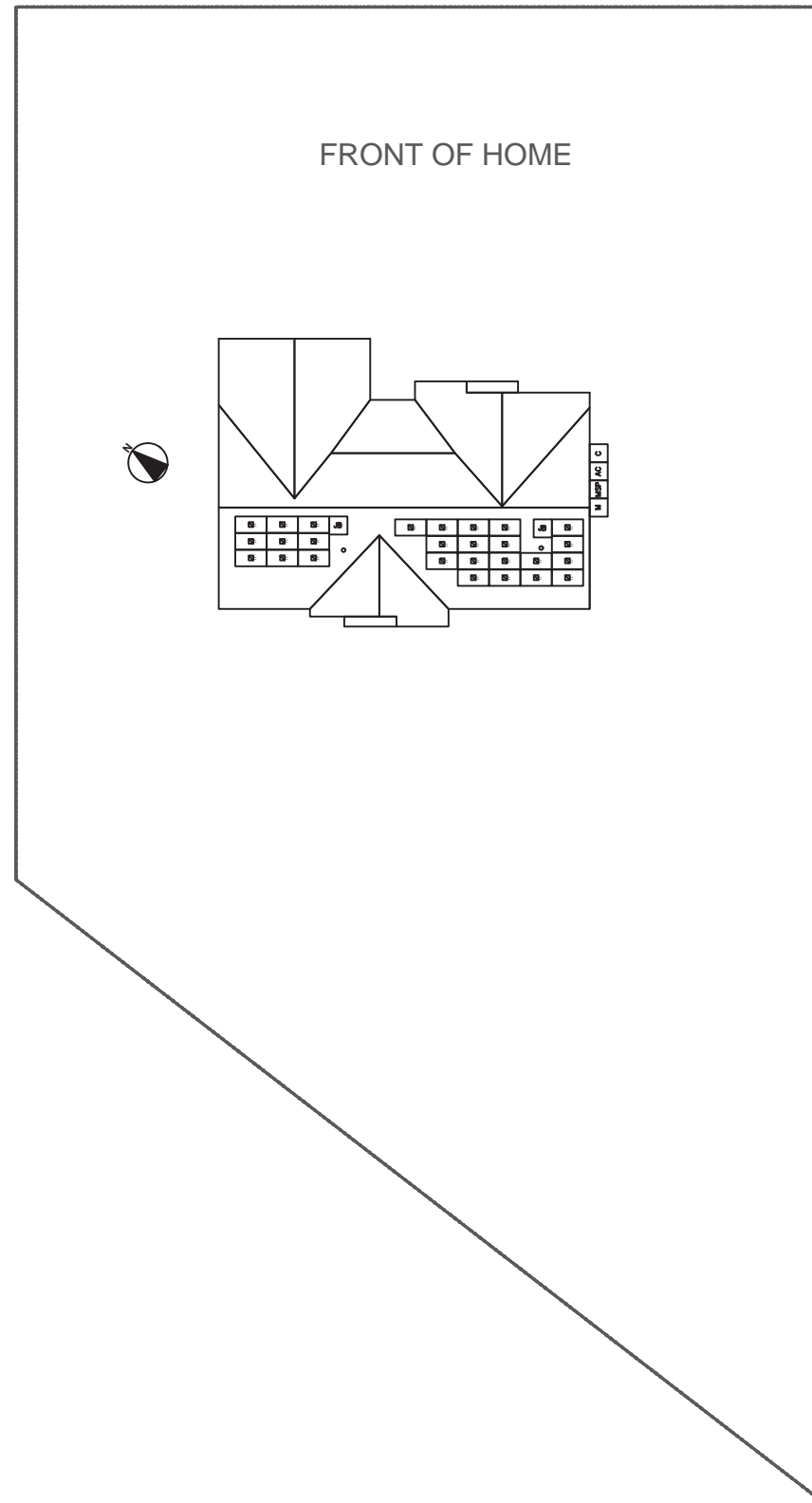
SHEET NAME
COVER SHEET

PAGE NUMBER
PV1

REVISION
A

A

326 Moonlight Dr



FRONT OF HOME



5818/2021

LEGEND

- INV INVERTER & DC DISCONNECT
- SUB (E) SUBPANEL
- LC (N) LOAD CENTER
- AC AC DISCONNECT
- M UTILITY METER
- MSP MAIN SERVICE PANEL
- JB JUNCTION BOX
- TS TRANSFER SWITCH
- C COMBINER BOX/AGGREGATOR
- PV PV REVENUE METER
- [Hatched Box] FIRE SETBACK
- [Green Line] EMT CONDUIT RUN (TO BE DETERMINED IN FIELD)
- [Pink Line] PV WIRE STRING
- [Dashed Line] PROPERTY LINE



1403 N RESEARCH WAY, BUILDING J
OREM, UT 84097

800-377-4480
WWW.BLUERAVENSOLAR.COM

CONFIDENTIAL - THE INFORMATION
HEREIN CONTAINED SHALL NOT BE
USED FOR THE BENEFIT OF
ANYONE EXCEPT
BLUERAVENSOLAR NOR SHALL IT
BE DISCLOSED IN WHOLE OR IN
PART TO OTHERS OUTSIDE
RECIPIENTS ORGANIZATION,
EXCEPT IN CONNECTION WITH THE
SALE AND USE OF THE RESPECTIVE
EQUIPMENT, WITHOUT THE
WRITTEN PERMISSION OF
BLUERAVENSOLAR LLC.



CONTRACTOR:
BRS FIELD OPS
385.498.6700

Sealed For
Existing Roof &
Attachment Only

SITE INFORMATION:

Lloyd Derby
326 Moonlight Dr
Fuquay-Varina, North Carolina 27526

DRAWING BY
Eric Thomas

DATE
May 14, 2021

PROJECT NUMBER
324685

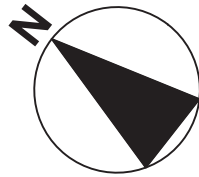
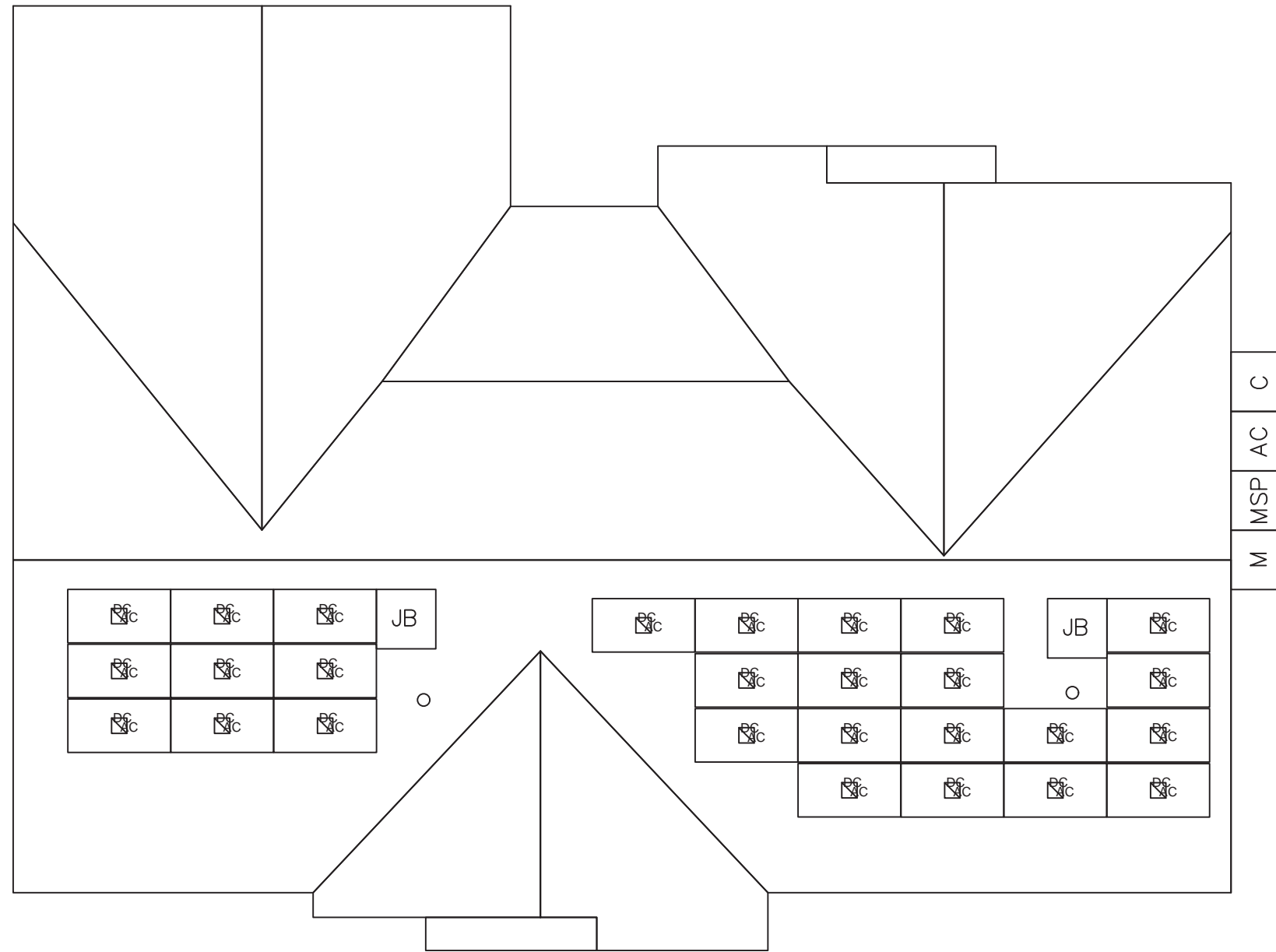
SHEET NAME
PROPERTY PLAN

PAGE NUMBER
PV2

REVISION
A

A

FRONT OF HOME



MP1
 # OF MODULES: 27
 AZIMUTH:232°
 PITCH:29°
 TSRF:94%
 AREA: 1002 SQ. FT



5818/2021

LEGEND

- INV INVERTER & DC DISCONNECT
- SUB (E) SUBPANEL
- LC (N) LOAD CENTER
- AC AC DISCONNECT
- M UTILITY METER
- MSP MAIN SERVICE PANEL
- JB JUNCTION BOX
- TS TRANSFER SWITCH
- C COMBINER BOX/AGGREGATOR
- PV PV REVENUE METER
- FIRE SETBACK
- EMT CONDUIT RUN (TO BE DETERMINED IN FIELD)
- PV WIRE STRING
- PROPERTY LINE

SCALE: 1/8" = 1'-0"

Sealed For
Existing Roof &
Attachment Only



1403 N RESEARCH WAY, BUILDING J
 OREM, UT 84097
 800-377-4480
 WWW.BLUERAVENSOLAR.COM

CONFIDENTIAL - THE INFORMATION
 HEREIN CONTAINED SHALL NOT BE
 USED FOR THE BENEFIT OF
 ANYONE EXCEPT
 BLUERAVENSOLAR NOR SHALL IT
 BE DISCLOSED IN WHOLE OR IN
 PART TO OTHERS OUTSIDE
 RECIPIENTS ORGANIZATION,
 EXCEPT IN CONNECTION WITH THE
 SALE AND USE OF THE RESPECTIVE
 EQUIPMENT, WITHOUT THE
 WRITTEN PERMISSION OF
 BLUERAVENSOLAR LLC.



CONTRACTOR:
 BRS FIELD OPS
 385.498.6700

SITE INFORMATION:

Lloyd Derby
 326 Moonlight Dr
 Fuquay-Varina, North Carolina 27526

DRAWING BY
 Eric Thomas

DATE
 May 14, 2021

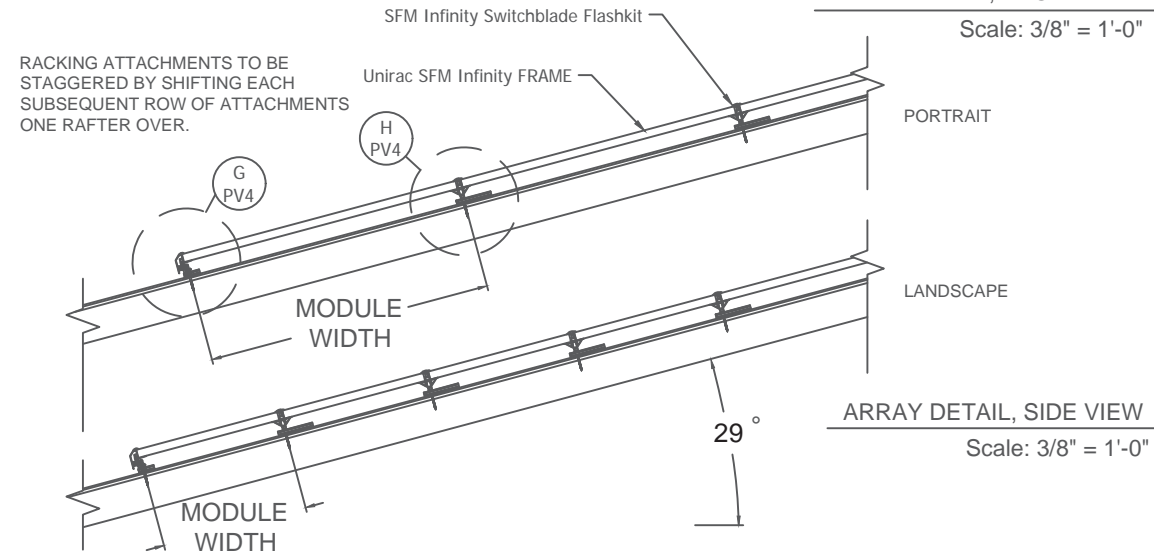
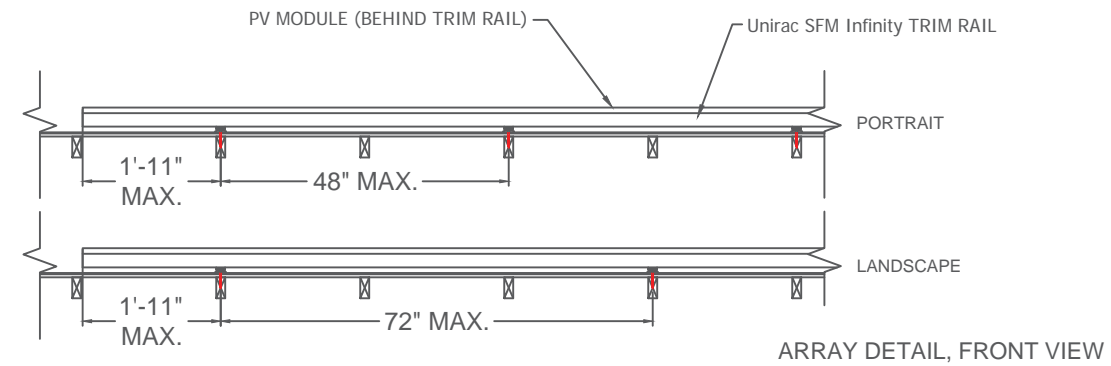
PROJECT NUMBER
 324685

SHEET NAME
SITE PLAN

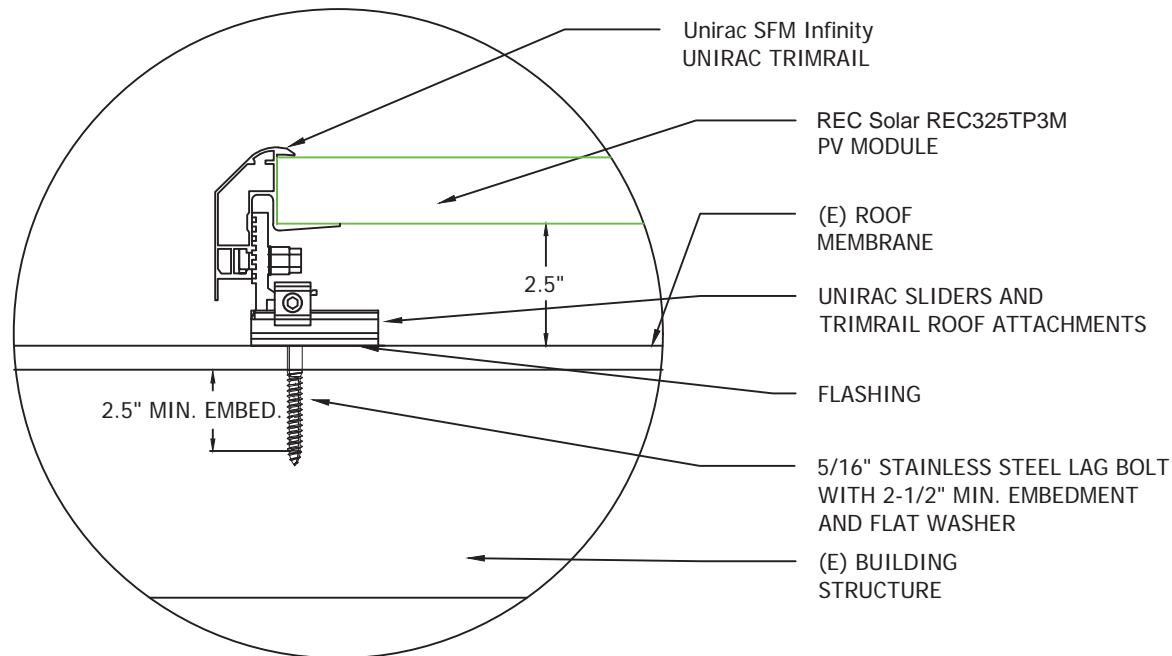
PAGE NUMBER PV3	REVISION A
---------------------------	----------------------

PV ARRAY INFORMATION

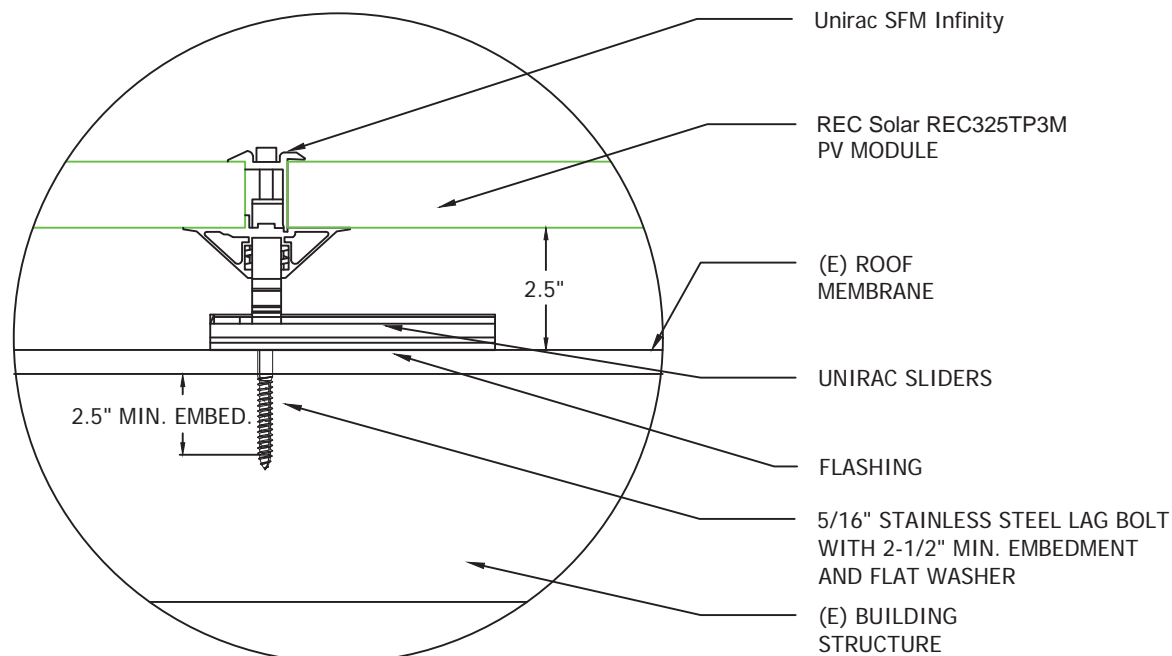
PV MODULE COUNT: 27 MODULES
OF ATTACHMENT POINTS: 44
ARRAY AREA: Module Count x 17.51ft² = 472.8ft²
ROOF AREA: 2818.0ft²
% OF ARRAY/ROOF: 16.8%
ARRAY WEIGHT: Module Count x 50lbs = 1350.0lbs
DISTRIBUTED LOAD: Array Weight ÷ Array Area = 2.86 lbs/ft²
POINT LOAD: Array Weight ÷ Attachments = 30.7lbs/attachment



G
 DETAIL, BOTTOM STANDOFF
 Scale: 3" = 1'-0"



H
 DETAIL, MIDDLE/TOP STANDOFF
 Scale: 3" = 1'-0"



ROOF TYPE: Comp Shingle
ROOF FRAMING TYPE: Manufactured Truss
RAFTER OR TOP CHORD(TRUSS) 2x4 @ 24"O.C.
CEILING JOIST OR BOTTOM CHORD(TRUSS) 2x4 @ 24"O.C.



Sealed For Existing Roof & Attachment Only

5818/2021



1403 N RESEARCH WAY, BUILDING J
 OREM, UT 84097
 800-377-4480
 WWW.BLUERAVENSOLAR.COM

CONFIDENTIAL - THE INFORMATION HEREIN CONTAINED SHALL NOT BE USED FOR THE BENEFIT OF ANYONE EXCEPT BLUERAVENSOLAR NOR SHALL IT BE DISCLOSED IN WHOLE OR IN PART TO OTHERS OUTSIDE RECIPIENTS ORGANIZATION, EXCEPT IN CONNECTION WITH THE SALE AND USE OF THE RESPECTIVE EQUIPMENT, WITHOUT THE WRITTEN PERMISSION OF BLUERAVENSOLAR LLC.



CONTRACTOR:
 BRS FIELD OPS
 385.498.6700

SITE INFORMATION:
 Lloyd Derby
 326 Moonlight Dr
 Fuquay-Varina, North Carolina 27526

DRAWING BY:
 Eric Thomas

DATE:
 May 14, 2021

PROJECT NUMBER:
 324685

SHEET NAME:
 EQUIP. DETAIL

PAGE NUMBER: PV4	REVISION: A
----------------------------	-----------------------

15	(1) 6 AWG THHN/THWN-2, CU., BLACK (L1)	27.0 A AC	3	(2) 10 AWG THHN/THWN-2, CU., BLACK (L1)	MAX 14.0 A AC	2	(1) 10 - 2 UF-B (or NM) W/G, THHN/THWN-2, SC	MAX 14.0 A AC	1	(1) 12-2 TC-ER, THHN/THWN-2, CU.	MAX 14.0 A AC
	(1) 6 AWG THHN/THWN-2, CU., RED (L2)	240 V AC		(2) 10 AWG THHN/THWN-2, CU., RED (L2)	240 V AC		(1) 6 AWG BARE, CU (EGC)	240 V AC			
	(1) 10 AWG THHN/THWN-2, CU., WHITE (N)			(1) 10 AWG THHN/THWN-2, CU., GREEN (EGC)							
	(1) 10 AWG THHN/THWN-2, CU., GREEN (EGC)										
	(1) 3/4 INCH EMT	EXTERIOR		(1) 3/4 INCH EMT	EXTERIOR			INTERIOR			EXTERIOR



1403 N RESEARCH WAY, BUILDING J
OREM, UT 84097
800-377-4480
WWW.BLUERAVENSOLAR.COM

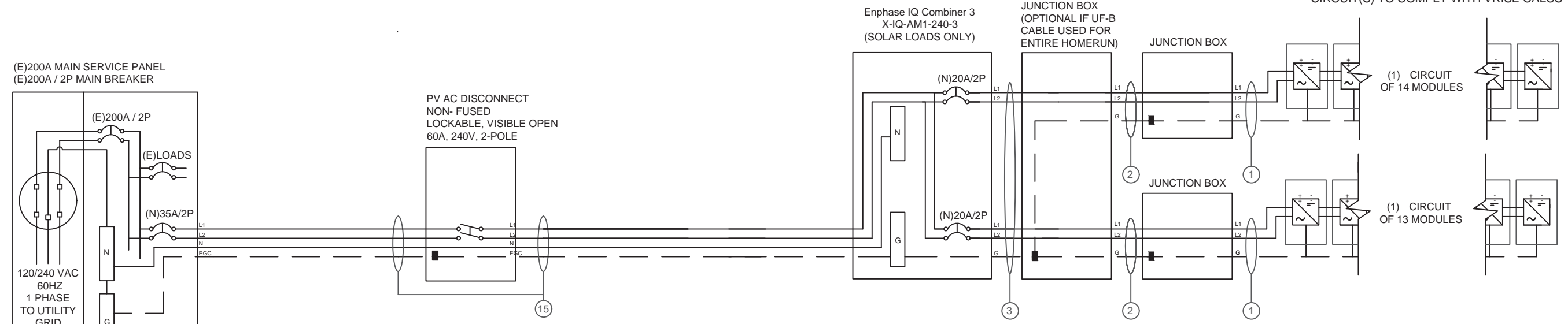
CONFIDENTIAL - THE INFORMATION HEREIN CONTAINED SHALL NOT BE USED FOR THE BENEFIT OF ANYONE EXCEPT BLUERAVENSOLAR NOR SHALL IT BE DISCLOSED IN WHOLE OR IN PART TO OTHERS OUTSIDE RECIPIENTS ORGANIZATION, EXCEPT IN CONNECTION WITH THE SALE AND USE OF THE RESPECTIVE EQUIPMENT, WITHOUT THE WRITTEN PERMISSION OF BLUERAVENSOLAR LLC.



CONTRACTOR:
BRS FIELD OPS
385.498.6700

27 INVERTERS x 240 W AC = 6.48 kW AC
PANEL WATTAGE = 325 W DC

(27) REC Solar REC325TP3M
UL 1703 COMPLIANT
(27) Enphase IQ7-60-2-US MICRO INVERTERS
UL 1741 COMPLIANT
7 MODULES MAX FOR ALL SUB-BRANCH
CIRCUIT(S) TO COMPLY WITH VRISE CALCS



PV BREAKER TO BE LOCATED OPPOSITE END OF BUSSING FROM MAIN BREAKER

(E) GROUNDING ELECTRODE (S)
VERIFICATION WILL BE DONE TO ENSURE THE GROUNDING ELECTRODE SYSTEM IS CONGRUENT WITH CURRENT REQUIREMENTS [NEC 250 PART III.] IF NOT, A NEW GROUND ROD WILL BE INSTALLED.

(N) 5/8" COPPER GROUND ROD, 8 FT LONG, AT LEAST 6' APART FROM (E) GROUND ROD.
GEC INSTALLED PER NEC 250.64:
4 AWG SOLID COPPER *OR*
6 AWG SOLID COPPER
GEC PROTECTED BY RMC/PVC/EMT

INTERCONNECTION NOTES

1. ONE OF THE METHODS THAT FOLLOWS SHALL BE USED TO DETERMINE THE RATINGS OF BUSBARS AND PANELBOARDS. (a) THE SUM OF 125 PERCENT OF THE INVERTER(S) OUTPUT CIRCUIT CURRENT AND THE RATING OF THE OVERCURRENT DEVICE PROTECTING THE BUSBAR SHALL NOT EXCEED THE AMPACITY OF THE BUS BAR. (b) WHERE TWO SOURCES, ONE THE UTILITY AND THE OTHER AN INVERTER ARE LOCATED AT OPPOSITE ENDS OF A BUSBAR THAT CONTAINS LOADS, THE SUM OF 125 PERCENT OF THE INVERTER(S) OUTPUT CIRCUIT CURRENT AND THE RATING OF THE OVERCURRENT DEVICE PROTECTING THE BUSBAR SHALL NOT EXCEED 120 PERCENT OF THE AMPACITY OF THE BUSBAR [NEC 705.12].

DISCONNECT NOTES

1. DISCONNECTING SWITCHES SHALL BE WIRED SUCH THAT WHEN THE SWITCH IS OPENED THE CONDUCTORS REMAINING LIVE ARE CONNECTED TO THE TERMINALS MARKED "LINE SIDE" (TYPICALLY THE UPPER TERMINALS)
2. AC DISCONNECT MUST BE ACCESSIBLE TO QUALIFIED UTILITY PERSONNEL, BE LOCKABLE, AND BE A VISIBLE-BREAK SWITCH



SITE INFORMATION:

Lloyd Derby
326 Moonlight Dr
Fuquay-Varina, North Carolina 27526
DC SYSTEM SIZE: 8.775 kW DC

DRAWING BY Eric Thomas	
DATE May 14, 2021	
PROJECT NUMBER 324685	
SHEET NAME ELEC. 3 LINE DIAG.	
PAGE NUMBER PV5	REVISION A

MODULE SPECIFICATIONS	REC Solar REC325TP3M
RATED POWER (STC)	325 W
MODULE VOC	39.5 V DC
MODULE VMP	34.1 V DC
MODULE IMP	9.54 A DC
MODULE ISC	10.36 A DC
VOC CORRECTION	-0.28 %/°C
VMP CORRECTION	-0.37 %/°C
SERIES FUSE RATING	20 A DC
ADJ. MODULE VOC @ ASHRAE LOW TEMP	43.4 V DC
ADJ. MODULE VMP @ ASHRAE 2% AVG. HIGH TEMP	28.8 V DC

MICROINVERTER SPECIFICATIONS	Enphase IQ7 Microinverters
POWER POINT TRACKING (MPPT) MIN/MAX	22 - 48 V DC
MAXIMUM INPUT VOLTAGE	48 V DC
MAXIMUM DC SHORT CIRCUIT CURRENT	15 A DC
MAXIMUM USABLE DC INPUT POWER	350 W
MAXIMUM OUTPUT CURRENT	1 A AC
AC OVERCURRENT PROTECTION	20 A
MAXIMUM OUTPUT POWER	240 W
CEC WEIGHTED EFFICIENCY	97 %

AC PHOTOVOLTAIC MODULE MARKING (NEC 690.52)	
NOMINAL OPERATING AC VOLTAGE	240 V AC
NOMINAL OPERATING AC FREQUENCY	47 - 68 HZ AC
MAXIMUM AC POWER	240 VA AC
MAXIMUM AC CURRENT	1.0 A AC
MAXIMUM OCPD RATING FOR AC MODULE	20 A AC

DESIGN LOCATION AND TEMPERATURES	
TEMPERATURE DATA SOURCE	ASHRAE 2% AVG. HIGH TEMP
STATE	North Carolina
CITY	Fuquay-Varina
WEATHER STATION	SEYMOUR-JOHNSON AFB
ASHRAE EXTREME LOW TEMP (°C)	-10
ASHRAE 2% AVG. HIGH TEMP (°C)	35

SYSTEM ELECTRICAL SPECIFICATIONS	CIR 1	CIR 2	CIR 3	CIR 4	CIR 5	CIR 6
NUMBER OF MODULES PER MPPT	14	13				
DC POWER RATING PER CIRCUIT (STC)	4550	4225				
TOTAL MODULE NUMBER	27 MODULES					
STC RATING OF ARRAY	8775W DC					
AC CURRENT @ MAX POWER POINT (IMP)	14.0	13.0				
MAX. CURRENT (IMP X 1.25)	17.5	16.25				
OCPD CURRENT RATING PER CIRCUIT	20	20				
MAX. COMB. ARRAY AC CURRENT (IMP)	27.0					
MAX. ARRAY AC POWER	6480W AC					

AC VOLTAGE RISE CALCULATIONS	DIST (FT)	COND.	√RISE(V)	VEND(V)	%VRISE	IQ7-7
VRISE SEC. 1 (MICRO TO JBOX)	25.2	12 Cu.	0.71	240.71	0.30%	
VRISE SEC. 2 (JBOX TO COMBINER BOX)	30	10 Cu.	1.07	241.07	0.44%	
VRISE SEC. 3 (COMBINER BOX TO POI)	10	6 Cu.	0.28	240.28	0.11%	
TOTAL VRISE			2.05	242.05	0.86%	

PHOTOVOLTAIC AC DISCONNECT OUTPUT LABEL (NEC 690.54)	
AC OUTPUT CURRENT	27.0 A AC
NOMINAL AC VOLTAGE	240 V AC

CONDUCTOR SIZE CALCULATIONS	
MICROINVERTER TO JUNCTION BOX (1)	MAX. SHORT CIRCUIT CURRENT (ISC) = 14.0 A AC MAX. CURRENT (ISC X1.25) = 17.5 A AC CONDUCTOR (TC-ER, COPPER (90°C)) = 12 AWG CONDUCTOR RATING = 30 A AMB. TEMP. AMP. CORRECTION = 0.96 ADJUSTED AMP. = 28.8 > 17.5
JUNCTION BOX TO JUNCTION BOX (2)	MAX. SHORT CIRCUIT CURRENT (ISC) = 14.0 A AC MAX. CURRENT (ISC X1.25) = 17.5 A AC CONDUCTOR (UF-B, COPPER (60°C)) = 10 AWG CONDUCTOR RATING = 30 A CONDUIT FILL DERATE = 1 AMB. TEMP. AMP. CORRECTION = 0.96 ADJUSTED AMP. = 28.8 > 17.5
JUNCTION BOX TO COMBINER BOX (3)	MAX. SHORT CIRCUIT CURRENT (ISC) = 14.0 A AC MAX. CURRENT (ISC X1.25) = 17.5 A AC CONDUCTOR (UF-B, COPPER (60°C)) = 10 AWG CONDUCTOR RATING = 30 A CONDUIT FILL DERATE = 0.8 AMB. TEMP. AMP. CORRECTION = 0.96 ADJUSTED AMP. = 23.04 > 17.5
COMBINER BOX TO MAIN PV OCPD (15)	INVERTER RATED AMPS = 27.0 A AC MAX. CURRENT (RATED AMPS X1.25) = 33.75 A AC CONDUCTOR (THWN-2, COPPER (75°C TERM.)) = 6 AWG CONDUCTOR RATING = 65 A CONDUIT FILL DERATE = 1 AMB. TEMP. AMP. CORRECTION = 0.96 ADJUSTED AMP. = 62.4 > 33.8



1403 N RESEARCH WAY, BUILDING J
OREM, UT 84097
800-377-4480
WWW.BLUERAVENSOLAR.COM

CONFIDENTIAL - THE INFORMATION
HEREIN CONTAINED SHALL NOT BE
USED FOR THE BENEFIT OF
ANYONE EXCEPT
BLUERAVENSOLAR NOR SHALL IT
BE DISCLOSED IN WHOLE OR IN
PART TO OTHERS OUTSIDE
RECIPIENTS ORGANIZATION,
EXCEPT IN CONNECTION WITH THE
SALE AND USE OF THE RESPECTIVE
EQUIPMENT, WITHOUT THE
WRITTEN PERMISSION OF
BLUERAVENSOLAR LLC.



CONTRACTOR:
BRS FIELD OPS
385.498.6700

GROUNDING NOTES

1. A GROUNDING ELECTRODE SYSTEM IN ACCORDANCE WITH [NEC 690-47] AND [NEC 250-50] THROUGH [NEC 250-60] SHALL BE PROVIDED. PER NEC, GROUNDING ELECTRODE SYSTEM OF EXISTING BUILDING MAY BE USED AND BONDED TO AT THE SERVICE ENTRANCE. IF EXISTING SYSTEM IS INACCESSIBLE, OR INADEQUATE, OR IS ONLY METALLIC WATER PIPING, A SUPPLEMENTAL GROUNDING ELECTRODE WILL BE USED AT THE INVERTER LOCATION CONSISTING OF A UL LISTED 8 FT GROUND ROD WITH ACORN CLAMP.
2. THE GROUNDING ELECTRODE CONDUCTOR SHALL BE PROTECTED FROM PHYSICAL DAMAGE BETWEEN THE GROUNDING ELECTRODE AND THE PANEL (OR INVERTER) IF SMALLER THAN #6 AWG COPPER WIRE PER NEC 250-64B. THE GROUNDING ELECTRODE CONDUCTOR WILL BE CONTINUOUS, EXCEPT FOR SPLICES OR JOINTS AT BUSBARS WITHIN LISTED EQUIPMENT PER [NEC 250.64C].
3. GROUNDING ELECTRODE CONDUCTORS SHALL BE NO LESS THAN #8 AWG AND NO GREATER THAN #6 AWG COPPER AND BONDED TO THE EXISTING GROUNDING ELECTRODE TO PROVIDE FOR A COMPLETE SYSTEM.
4. PV SYSTEM SHALL BE GROUNDED IN ACCORDANCE TO [NEC 250.21], [NEC TABLE 250.122], AND ALL METAL PARTS OR MODULE FRAMES ACCORDING TO [NEC 690.46].
5. MODULE SOURCE CIRCUITS SHALL BE GROUNDED IN ACCORDANCE TO [NEC 690.42].
6. THE GROUNDING CONNECTION TO A MODULE SHALL BE ARRANGED SUCH THAT THE REMOVAL OF A MODULE DOES NOT INTERRUPT A GROUNDED CONDUCTOR TO ANOTHER MODULE.
7. EACH MODULE WILL BE GROUNDED USING THE SUPPLIED CONNECTIONS POINTS IDENTIFIED IN THE MANUFACTURER'S INSTALLATION INSTRUCTIONS.
8. ENCLOSURES SHALL BE PROPERLY PREPARED WITH REMOVAL OF PAINT/FINISH AS APPROPRIATE WHEN GROUNDING EQUIPMENT WITH TERMINATION GROUNDING LUGS.
9. GROUNDING SYSTEM COMPONENTS SHALL BE LISTED FOR THEIR PURPOSE, AND GROUNDING DEVICES EXPOSED TO THE ELEMENTS SHALL BE RATED FOR DIRECT BURIAL.
10. GROUNDING AND BONDING CONDUCTORS SHALL BE COPPER, SOLID OR

STRANDED, AND BARE WHEN EXPOSED.

11. EQUIPMENT GROUNDING CONDUCTORS SHALL BE SIZE ACCORDING TO [NEC 690.45] AND BE A MINIMUM OF #10AWG WHEN NOT EXPOSED TO DAMAGE (#6AWG SHALL BE USED WHEN EXPOSED TO DAMAGE).
12. GROUNDING AND BONDING CONDUCTORS, IF INSULATED, SHALL BE COLOR CODED GREEN (OR MARKED GREEN IF #4 AWG OR LARGER)
13. ALL CONDUIT BETWEEN THE UTILITY AC DISCONNECT AND THE POINT OF CONNECTION SHALL HAVE GROUNDED BUSHINGS AT BOTH ENDS.
14. SYSTEM GEC SIZED ACCORDING TO [NEC 690.47], [NEC TABLE 250.66], DC SYSTEM GEC SIZED ACCORDING TO [NEC 250.166], MINIMUM #8AWG WHEN INSULATED, #6AWG WHEN EXPOSED TO DAMAGE.
15. EXPOSED NON-CURRENT CARRYING METAL PARTS OF MODULE FRAMES, EQUIPMENTS, AND CONDUCTOR ENCLOSURES SHALL BE GROUNDED IN ACCORDANCE WITH 250.134 OR 250.136(A) REGARDLESS OF VOLTAGE.

WIRING & CONDUIT NOTES

1. ALL CONDUIT SIZES AND TYPES, SHALL BE LISTED FOR ITS PURPOSE AND APPROVED FOR THE SITE APPLICATIONS
2. BOLTED CONNECTION REQUIRED IN DC DISCONNECTS ON THE WHITE GROUNDED CONDUCTOR (USE POLARIS BLOCK OR NEUTRAL BAR)
3. ANY CONNECTION ABOVE LIVE PARTS MUST BE WATERTIGHT. REDUCING WASHERS DISALLOWED ABOVE LIVE PARTS, MEYERS HUBS RECOMMENDED
4. UV RESISTANT CABLE TIES(NOT ZIP TIES) USED FOR PERMANENT WIRE MANAGEMENT OFF THE ROOF SURFACE IN ACCORDANCE WITH NEC 110.2,110.3(A-B). 300.4
5. SOLADECK JUNCTION BOXES MOUNTED FLUSH W/ROOF SURFACE TO BE USED FOR WIRE MANAGEMENT AND AS FLASHED ROOF PENETRATIONS FOR INTERIOR CONDUIT RUNS.
6. ALL PV CABLES AND HOMERUN WIRES BE TYPE USE-2, AND SINGLE-CONDUCTOR CABLE LISTED AND IDENTIFIED AS PV WIRE, TYPE TC-ER, OR EQUIVALENT; ROUTED TO SOURCE CIRCUIT COMBINER BOXES AS REQUIRED
7. ALL CONDUCTORS AND OCPD SIZES AND TYPES SPECIFIED ACCORDING TO [NEC

690.8] FOR MULTIPLE CONDUCTORS

8. ALL PV DC CONDUCTORS IN CONDUIT EXPOSED TO SUNLIGHT SHALL BE INSTALLED AT LEAST 7/8" ABOVE THE ROOF SURFACE AND DERATED ACCORDING TO [NEC TABLE 310.15 (B)(2)(a), NEC TABLE 310.15(B)(3)(a),& NEC 310.15(B)(3)(c)].
9. EXPOSED ROOF PV DC CONDUCTORS SHALL BE USE-2, 90°C RATED, WET AND UV RESISTANT, AND UL LISTED RATED FOR 600V, UV RATED SPIRAL WRAP SHALL BE USED TO PROTECT WIRE FROM SHARP EDGES
10. PHASE AND NEUTRAL CONDUCTORS SHALL BE DUAL RATED THHN/THWN-2 INSULATED, 90°C RATED, WET AND UV RESISTANT, RATED FOR 600V
11. 4-WIRE DELTA CONNECTED SYSTEMS HAVE THE PHASE WITH THE HIGHER VOLTAGE TO GROUND MARKED ORANGE OR IDENTIFIED BY OTHER EFFECTIVE MEANS.
12. ALL SOURCE CIRCUITS SHALL HAVE INDIVIDUAL SOURCE CIRCUIT PROTECTION
13. VOLTAGE DROP LIMITED TO 2% FOR DC CIRCUITS AND 3% FOR AC CIRCUITS
14. NEGATIVE GROUNDED SYSTEMS DC CONDUCTORS SHALL BE COLOR CODED AS FOLLOWS: DC POSITIVE- RED (OR MARKED RED), DC NEGATIVE- GREY (OR MARKED GREY)
15. POSITIVE GROUNDED SYSTEMS DC CONDUCTORS COLOR CODED: DC POSITIVE- GREY (OR MARKED GREY), DC NEGATIVE- BLACK (OR MARKED BLACK)
16. AC CONDUCTORS >4AWG COLOR CODED OR MARKED: PHASE A OR L1- BLACK, PHASE B OR L2- RED, PHASE C OR L3- BLUE, NEUTRAL- WHITE/GRAY
* USE-2 IS NOT INDOOR RATED BUT PV CABLE IS RATED THWN/THWN-2 AND MAY BE USED INSIDE
** USE-2 IS AVAILABLE AS UV WHITE
17. RIGID CONDUIT, IF INSTALLED, (AND/OR NIPPLES) MUST HAVE A PULL BUSHING TO PROTECT WIRES.
18. IF CONDUIT DETERMINED TO BE RAN THROUGH ATTIC IN FIELD THEN CONDUIT WILL BE EITHER EMT, FMC, OR MC CABLE IF DC CURRENT COMPLYING WITH NEC 690.31, NEC 250.118(10). DISCONNECTING MEANS SHALL COMPLY WITH 690.13 AND 690.15
19. CONDUIT RAN THROUGH ATTIC WILL BE AT LEAST 18" BELOW ROOF SURFACE COMPLYING WITH NEC 230.6(4) AND SECURED NO GREATER THAN 6' APART PER NEC 330.30(B).

SITE INFORMATION:

Lloyd Derby
326 Moonlight Dr
Fuquay-Varina, North Carolina 27526
DC SYSTEM SIZE: 8.775 kW DC

DRAWING BY
Eric Thomas

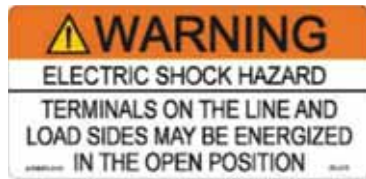
DATE
May 14, 2021

PROJECT NUMBER
324685

SHEET NAME
ELEC. CALCS.

PAGE NUMBER
PV6

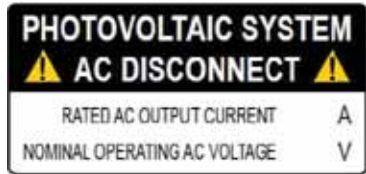
REVISION
A



LABEL 1
FOR PV DISCONNECTING MEANS WHERE ALL TERMINALS OF THE DISCONNECTING MEANS MAY BE ENERGIZED IN THE OPEN POSITION. [NEC 690.13(B), NEC 705.22]



LABEL 2
AT EACH DC DISCONNECTING MEANS, INCLUDING THE DC DISCONNECT AT THE INVERTER. [NEC 690.53, NEC 690.13(B)]



LABEL 3
AT POINT OF INTERCONNECTION, MARKED AT AC DISCONNECTING MEANS. [NEC 690.54, NEC 690.13 (B)]



LABEL 4
IF INTERCONNECTING ON THE LOAD SIDE, INSTALL THIS LABEL ANYWHERE THAT IS POWERED BY BOTH THE UTILITY AND THE SOLAR PV SYSTEM: THE MAIN SERVICE PANEL AND SUB-PANELS. [NEC 705.12(B)(3)]



LABEL 5
PLACED ADJACENT TO THE BACK-FED BREAKER FROM THE INVERTER IF TIE IN CONSISTS OF LOAD SIDE CONNECTION TO BUSBAR. [NEC 705.12(B)(2)(3)(b)]



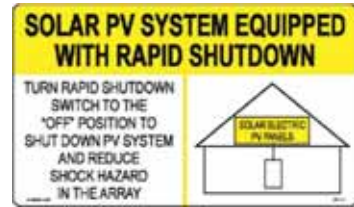
LABEL 6
(ONLY IF 3 OR MORE SUPPLY SOURCES TO A BUSBAR)
SIGN LOCATED AT LOAD CENTER IF IT CONTAINS 3 OR MORE POWER SOURCES. [NEC 705.12(B)(2)(3)(C)]

LABELING NOTES:

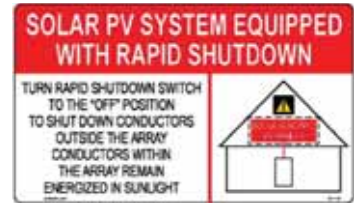
1. LABELS CALLED OUT ACCORDING TO ALL COMMON CONFIGURATIONS. ELECTRICIAN TO DETERMINE EXACT REQUIREMENTS IN THE FIELD PER CURRENT NEC AND LOCAL CODES AND MAKE APPROPRIATE ADJUSTMENTS.
2. LABELING REQUIREMENTS BASED ON THE 2017 NATIONAL ELECTRIC CODE, OSHA STANDARD 19010.145, ANSI Z535.
3. MATERIAL BASED ON THE REQUIREMENTS OF THE AUTHORITY HAVING JURISDICTION.
4. LABELS TO BE OF SUFFICIENT DURABILITY TO WITHSTAND THE ENVIRONMENT INVOLVED AND SHALL NOT BE HANDWRITTEN [NEC 110.21]
5. LABELS TO BE A MINIMUM LETTER HEIGHT OF 3/8", WHITE ON RED BACKGROUND; REFLECTIVE, AND PERMANENTLY AFFIXED [IFC 605.11.1.1]



LABEL 7
AT DIRECT-CURRENT EXPOSED RACEWAYS, CABLE TRAYS, COVERS AND ENCLOSURES OF JUNCTION BOXES, AND OTHER WIRING METHODS; SPACED AT MAXIMUM 10FT SECTION OR WHERE SEPARATED BY ENCLOSURES, WALLS, PARTITIONS, CEILINGS, OR FLOORS. [NEC 690.31(G)(3&4)]



LABEL 8
FOR PV SYSTEMS THAT SHUT DOWN THE ARRAY AND CONDUCTORS LEAVING THE ARRAY: SIGN TO BE LOCATED ON OR NO MORE THAN 3 FT AWAY FROM SERVICE DISCONNECTING MEANS TO WHICH THE PV SYSTEMS ARE CONNECTED AND SHALL INDICATE THE LOCATION OF ALL IDENTIFIED RAPID SHUTDOWN SWITCHES IF NOT AT THE SAME LOCATION. [NEC 690.56(C)(1)(A)]



LABEL 9
FOR PV SYSTEMS THAT ONLY SHUT DOWN CONDUCTORS LEAVING THE ARRAY: SIGN TO BE LOCATED ON OR NO MORE THAN 3 FT AWAY FROM SERVICE DISCONNECTING MEANS TO WHICH THE PV SYSTEMS ARE CONNECTED AND SHALL INDICATE THE LOCATION OF ALL IDENTIFIED RAPID SHUTDOWN SWITCHES IF NOT AT THE SAME LOCATION. [NEC 690.56(C)(1)(B)]



LABEL 10
SIGN LOCATED AT RAPID SHUT DOWN DISCONNECT SWITCH [NEC 690.56(C)(3)].



LABEL 11
PERMANENT DIRECTORY TO BE LOCATED AT MAIN SERVICE EQUIPMENT LOCATION IF ALL ELECTRICAL POWER SOURCE DISCONNECTING MEANS (SOLAR ARRAY RAPID SHUTDOWN SWITCH) ARE GROUPED AND IN LINE OF SITE OF MAIN SERVICE DISCONNECTING MEANS. [NEC 690.56(C) & NEC 705.10].



LABEL 12
PERMANENT DIRECTORY TO BE LOCATED AT SOLAR ARRAY RAPID SHUTDOWN SWITCH DENOTING THE LOCATION OF THE SERVICE EQUIPMENT LOCATION IF SOLAR ARRAY RAPID SHUT DOWN DISCONNECT SWITCH IS NOT GROUPED AND WITHIN LINE OF SITE OF MAIN SERVICE DISCONNECTING MEANS. [NEC 705.10]

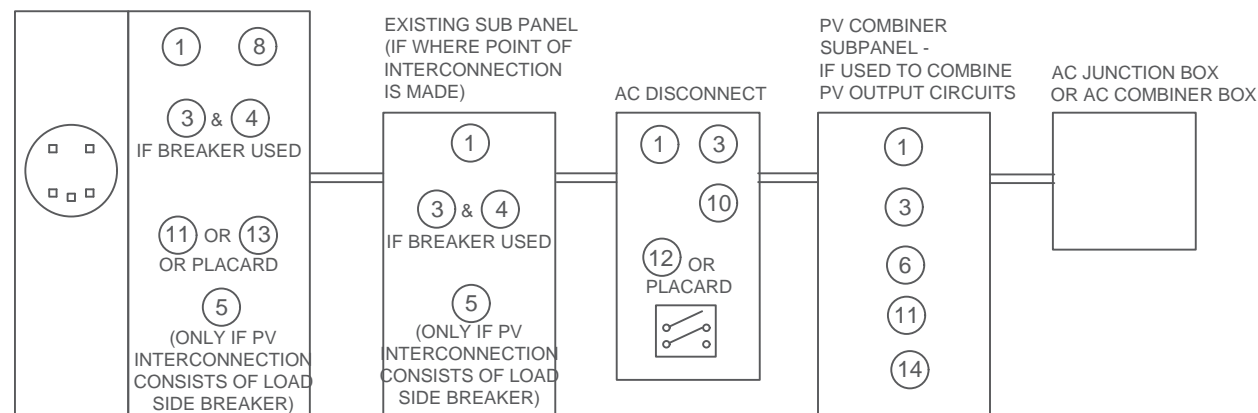


LABEL 13
PERMANENT DIRECTORY TO BE LOCATED AT MAIN SERVICE EQUIPMENT DENOTING THE LOCATION OF THE PV RAPID SHUTDOWN SYSTEM DISCONNECTING MEANS IF SOLAR ARRAY RAPID SHUT DOWN DISCONNECT SWITCH IS NOT GROUPED AND WITHIN LINE OF SITE OF MAIN SERVICE DISCONNECTING MEANS. [NEC 705.10, NEC 690.56(C)(1)]

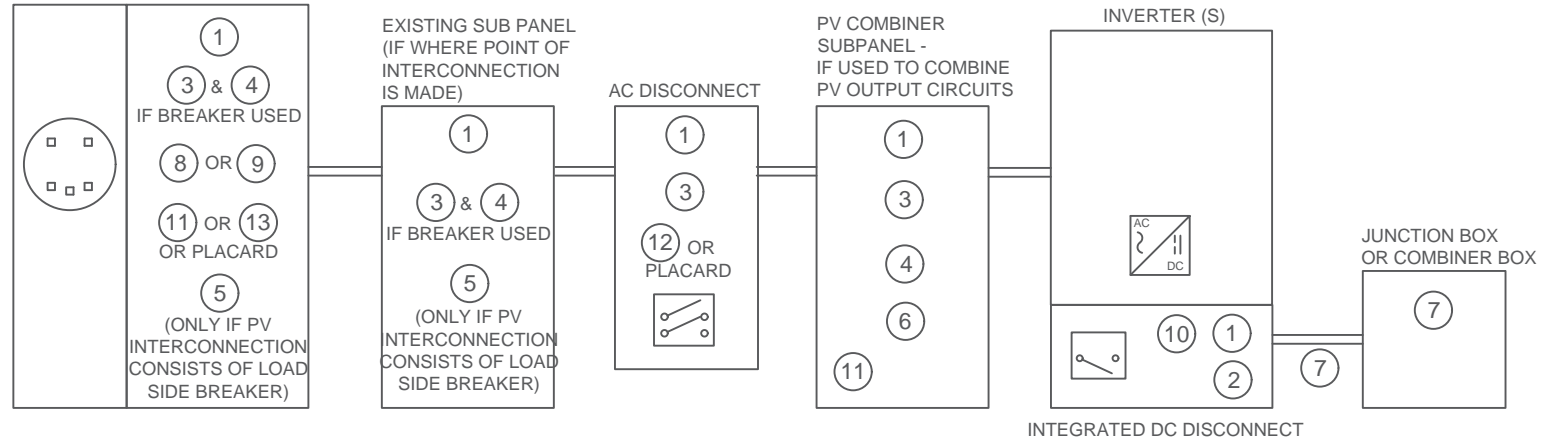


LABEL 14
PERMANENT DIRECTORY TO BE LOCATED AT AC COMBINER PANEL [NEC 110.21(B)]

LABELING DIAGRAM FOR MICRO INV.:
MAIN SERVICE PANEL



LABELING DIAGRAM FOR STRING INV. / DC OPTIMIZER INV.:
MAIN SERVICE PANEL



*ELECTRICAL DIAGRAM SHOWN ABOVE IS FOR LABELING PURPOSES ONLY. NOT AN ACTUAL REPRESENTATION OF EQUIPMENT AND CONNECTIONS TO BE INSTALLED. LABEL LOCATIONS PRESENTED MAY VARY DEPENDING ON TYPE OF INTERCONNECTION METHOD AND LOCATION PRESENTED ON PV5 OF 3 LINE DIAGRAM. PV5 LINE DIAGRAM TO REFLECT ACTUAL REPRESENTATION OF PROPOSED SCOPE OF WORK.



1403 N RESEARCH WAY, BUILDING J
OREM, UT 84097

800-377-4480
WWW.BLUERAVENSOLAR.COM

CONFIDENTIAL - THE INFORMATION HEREIN CONTAINED SHALL NOT BE USED FOR THE BENEFIT OF ANYONE EXCEPT BLUERAVENSOLAR NOR SHALL IT BE DISCLOSED IN WHOLE OR IN PART TO OTHERS OUTSIDE RECIPIENTS ORGANIZATION, EXCEPT IN CONNECTION WITH THE SALE AND USE OF THE RESPECTIVE EQUIPMENT, WITHOUT THE WRITTEN PERMISSION OF BLUERAVENSOLAR LLC.



CONTRACTOR:
BRS FIELD OPS
385.498.6700

SITE INFORMATION:

Lloyd Derby
326 Moonlight Dr
Fuquay-Varina, North Carolina 27526
DC SYSTEM SIZE: 8.775 kW DC

DRAWING BY
Eric Thomas

DATE
May 14, 2021

PROJECT NUMBER
324685

SHEET NAME
LABELS

PAGE NUMBER
PV8

REVISION
A

Enphase IQ 7 and IQ 7+ Microinverters

The high-powered smart grid-ready **Enphase IQ 7 Micro™** and **Enphase IQ 7+ Micro™** dramatically simplify the installation process while achieving the highest system efficiency.

Part of the Enphase IQ System, the IQ 7 and IQ 7+ Microinverters integrate with the Enphase IQ Envoy™, Enphase IQ Battery™, and the Enphase Enlighten™ monitoring and analysis software.

IQ Series Microinverters extend the reliability standards set forth by previous generations and undergo over a million hours of power-on testing, enabling Enphase to provide an industry-leading warranty of up to 25 years.



Easy to Install

- Lightweight and simple
- Faster installation with improved, lighter two-wire cabling
- Built-in rapid shutdown compliant (NEC 2014 & 2017)

Productive and Reliable

- Optimized for high powered 60-cell/120 half-cell and 72-cell/144 half-cell* modules
- More than a million hours of testing
- Class II double-insulated enclosure
- UL listed

Smart Grid Ready

- Complies with advanced grid support, voltage and frequency ride-through requirements
- Remotely updates to respond to changing grid requirements
- Configurable for varying grid profiles
- Meets CA Rule 21 (UL 1741-SA)

* The IQ 7+ Micro is required to support 72-cell/144 half-cell modules.

Enphase IQ 7 and IQ 7+ Microinverters

INPUT DATA (DC)	IQ7-60-2-US		IQ7PLUS-72-2-US	
Commonly used module pairings ¹	235 W - 350 W +		235 W - 440 W +	
Module compatibility	60-cell/120 half-cell PV modules only		60-cell/120 half-cell and 72-cell/144 half-cell PV modules	
Maximum input DC voltage	48 V		60 V	
Peak power tracking voltage	27 V - 37 V		27 V - 45 V	
Operating range	16 V - 48 V		16 V - 60 V	
Min/Max start voltage	22 V / 48 V		22 V / 60 V	
Max DC short circuit current (module Isc)	15 A		15 A	
Oversoltage class DC port	II		II	
DC port backfeed current	0 A		0 A	
PV array configuration	1 x 1 ungrounded array; No additional DC side protection required; AC side protection requires max 20A per branch circuit			
OUTPUT DATA (AC)	IQ 7 Microinverter		IQ 7+ Microinverter	
Peak output power	250 VA		295 VA	
Maximum continuous output power	240 VA		290 VA	
Nominal (L-L) voltage/range ²	240 V / 211-264 V	208 V / 183-229 V	240 V / 211-264 V	208 V / 183-229 V
Maximum continuous output current	1.0 A (240 V)	1.15 A (208 V)	1.21 A (240 V)	1.39 A (208 V)
Nominal frequency	60 Hz		60 Hz	
Extended frequency range	47 - 68 Hz		47 - 68 Hz	
AC short circuit fault current over 3 cycles	5.8 Arms		5.8 Arms	
Maximum units per 20 A (L-L) branch circuit ³	16 (240 VAC)	13 (208 VAC)	13 (240 VAC)	11 (208 VAC)
Oversoltage class AC port	III		III	
AC port backfeed current	18 mA		18 mA	
Power factor setting	1.0		1.0	
Power factor (adjustable)	0.85 leading ... 0.85 lagging		0.85 leading ... 0.85 lagging	
EFFICIENCY	@240 V	@208 V	@240 V	@208 V
Peak efficiency	97.6 %	97.6 %	97.5 %	97.3 %
CEC weighted efficiency	97.0 %	97.0 %	97.0 %	97.0 %
MECHANICAL DATA				
Ambient temperature range	-40°C to +65°C			
Relative humidity range	4% to 100% (condensing)			
Connector type	MC4 (or Amphenol H4 UTX with additional Q-DCC-5 adapter)			
Dimensions (HxWxD)	212 mm x 175 mm x 30.2 mm (without bracket)			
Weight	1.08 kg (2.38 lbs)			
Cooling	Natural convection - No fans			
Approved for wet locations	Yes			
Pollution degree	PD3			
Enclosure	Class II double-insulated, corrosion resistant polymeric enclosure			
Environmental category / UV exposure rating	NEMA Type 6 / outdoor			
FEATURES				
Communication	Power Line Communication (PLC)			
Monitoring	Enlighten Manager and MyEnlighten monitoring options. Both options require installation of an Enphase IQ Envoy.			
Disconnecting means	The AC and DC connectors have been evaluated and approved by UL for use as the load-break disconnect required by NEC 690.			
Compliance	CA Rule 21 (UL 1741-SA) UL 62109-1, UL1741/IEEE 1547, FCC Part 15 Class B, ICES-0003 Class B, CAN/CSA-C22.2 NO. 107.1-01 This product is UL Listed as PV Rapid Shut Down Equipment and conforms with NEC 2014, NEC 2017, and NEC 2020 section 690.12 and C22.1-2015 Rule 64-218 Rapid Shutdown of PV Systems, for AC and DC conductors, when installed according manufacturer's instructions.			

1. No enforced DC/AC ratio. See the compatibility calculator at <https://enphase.com/en-us/support/module-compatibility>.
 2. Nominal voltage range can be extended beyond nominal if required by the utility.
 3. Limits may vary. Refer to local requirements to define the number of microinverters per branch in your area.



1403 N RESEARCH WAY, BUILDING J
 OREM, UT 84097

800-377-4480
 WWW.BLUERAVENSOLAR.COM

CONFIDENTIAL - THE INFORMATION HEREIN CONTAINED SHALL NOT BE USED FOR THE BENEFIT OF ANYONE EXCEPT BLUE RAVEN SOLAR NOR SHALL IT BE DISCLOSED IN WHOLE OR IN PART TO OTHERS OUTSIDE RECIPIENTS ORGANIZATION, EXCEPT IN CONNECTION WITH THE SALE AND USE OF THE RESPECTIVE EQUIPMENT, WITHOUT THE WRITTEN PERMISSION OF BLUE RAVEN SOLAR LLC.



CONTRACTOR:
 BRS FIELD OPS
 385.498.6700



To learn more about Enphase offerings, visit enphase.com

ENPHASE To learn more about Enphase offerings, visit enphase.com



© 2020 Enphase Energy. All rights reserved. Enphase, the Enphase logo, Enphase IQ 7, Enphase IQ 7+, Enphase IQ Battery, Enphase Enlighten, Enphase IQ Envoy, and other trademarks or service names are the trademarks of Enphase Energy, Inc. Data subject to change. 2020-08-12

SHEET NAME

SPEC SHEET

PAGE NUMBER

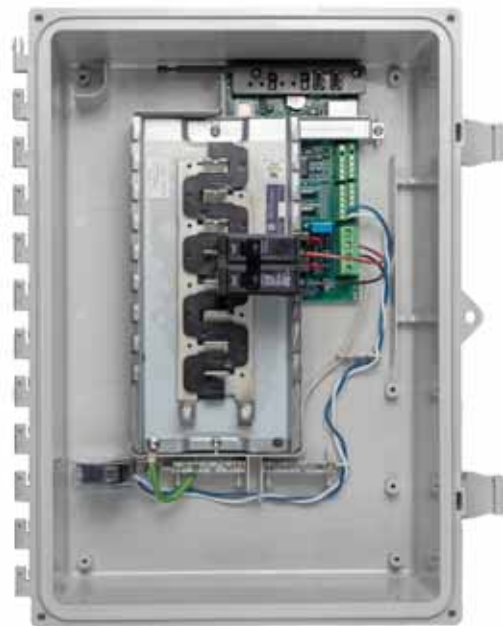
SS

REVISION

0

Enphase IQ Combiner 3 (X-IQ-AM1-240-3)

The **Enphase IQ Combiner 3™** with Enphase IQ Envoy™ consolidates interconnection equipment into a single enclosure and streamlines PV and storage installations by providing a consistent, pre-wired solution for residential applications. It offers up to four 2-pole input circuits and Eaton BR series busbar assembly.



Smart

- Includes IQ Envoy for communication and control
- Flexible networking supports Wi-Fi, Ethernet, or cellular
- Optional AC receptacle available for PLC bridge
- Provides production metering and optional consumption monitoring

Simple

- Reduced size from previous combiner
- Centered mounting brackets support single stud mounting
- Supports back and side conduit entry
- Up to four 2-pole branch circuits for 240 VAC plug-in breakers (not included)
- 80 A total PV or storage branch circuits

Reliable

- Durable NRTL-certified NEMA type 3R enclosure
- Five-year limited warranty
- UL listed

Enphase IQ Combiner 3

MODEL NUMBER	
IQ Combiner 3 X-IQ-AM1-240-3	IQ Combiner 3 with Enphase IQ Envoy™ printed circuit board for integrated revenue grade PV production metering (ANSI C12.20 +/- 0.5%) and optional* consumption monitoring (+/- 2.5%).
ACCESSORIES and REPLACEMENT PARTS (not included, order separately)	
Enphase Mobile Connect™ CELLMODEM-03 (4G/12-year data plan) CELLMODEM-01 (3G/5-year data plan) CELLMODEM-M1 (4G based LTE-M/5-year data plan)	Plug and play industrial grade cellular modem with data plan for systems up to 60 microinverters. (Available in the US, Canada, Mexico, Puerto Rico, and the US Virgin Islands, where there is adequate cellular service in the installation area.)
Consumption Monitoring* CT CT-200-SPLIT	Split core current transformers enable whole home consumption metering (+/- 2.5%).
* Consumption monitoring is required for Enphase Storage Systems	
Wireless USB adapter COMMS-KIT-01	Installed at the IQ Envoy. For communications with Enphase Encharge™ storage and Enphase Enpower™ smart switch. Includes USB cable for connection to IQ Envoy or Enphase IQ Combiner™ and allows redundant wireless communication with Encharge and Enpower.
Circuit Breakers BRK-10A-2-240 BRK-15A-2-240 BRK-20A-2P-240	Supports Eaton BR210, BR215, BR220, BR230, BR240, BR250, and BR260 circuit breakers. Circuit breaker, 2 pole, 10A, Eaton BR210 Circuit breaker, 2 pole, 15A, Eaton BR215 Circuit breaker, 2 pole, 20A, Eaton BR220
EPLC-01	Power line carrier (communication bridge pair), quantity - one pair
XA-PLUG-120-3	Accessory receptacle for Power Line Carrier in IQ Combiner 3 (required for EPLC-01)
XA-ENV-PCBA-3	Replacement IQ Envoy printed circuit board (PCB) for Combiner 3
ELECTRICAL SPECIFICATIONS	
Rating	Continuous duty
System voltage	120/240 VAC, 60 Hz
Eaton BR series busbar rating	125 A
Max. continuous current rating (output to grid)	65 A
Max. fuse/circuit rating (output)	90 A
Branch circuits (solar and/or storage)	Up to four 2-pole Eaton BR series Distributed Generation (DG) breakers only (not included)
Max. continuous current rating (input from PV)	64 A
Max. total branch circuit breaker rating (input)	80A of distributed generation / 90A with IQ Envoy breaker included
Production Metering CT	200 A solid core pre-installed and wired to IQ Envoy
MECHANICAL DATA	
Dimensions (WxHxD)	49.5 x 37.5 x 16.8 cm (19.5" x 14.75" x 6.63"). Height is 21.06" (53.5 cm with mounting brackets).
Weight	7.5 kg (16.5 lbs)
Ambient temperature range	-40° C to +46° C (-40° to 115° F)
Cooling	Natural convection, plus heat shield
Enclosure environmental rating	Outdoor, NRTL-certified, NEMA type 3R, polycarbonate construction
Wire sizes	<ul style="list-style-type: none"> • 20 A to 50 A breaker inputs: 14 to 4 AWG copper conductors • 60 A breaker branch input: 4 to 1/0 AWG copper conductors • Main lug combined output: 10 to 2/0 AWG copper conductors • Neutral and ground: 14 to 1/0 copper conductors Always follow local code requirements for conductor sizing.
Altitude	To 2000 meters (6,560 feet)
INTERNET CONNECTION OPTIONS	
Integrated Wi-Fi	802.11b/g/n
Ethernet	Optional, 802.3, Cat5E (or Cat 6) UTP Ethernet cable (not included)
Cellular	Optional, CELLMODEM-01 (3G) or CELLMODEM-03 (4G) or CELLMODEM-M1 (4G based LTE-M) (not included)
COMPLIANCE	
Compliance, Combiner	UL 1741, CAN/CSA C22.2 No. 107.1, 47 CFR, Part 15, Class B, ICES 003 Production metering: ANSI C12.20 accuracy class 0.5 (PV production)
Compliance, IQ Envoy	UL 60601-1/CANCSA 22.2 No. 61010-1

To learn more about Enphase offerings, visit enphase.com

© 2018 Enphase Energy. All rights reserved. Enphase, the Enphase logo, IQ Combiner 3, and other trademarks or service names are the trademarks of Enphase Energy, Inc.
2019-11-04



1403 N RESEARCH WAY, BUILDING J
OREM, UT 84097
800-377-4480
WWW.BLUERAVENSOLAR.COM

CONFIDENTIAL - THE INFORMATION HEREIN CONTAINED SHALL NOT BE USED FOR THE BENEFIT OF ANYONE EXCEPT BLUE RAVEN SOLAR NOR SHALL IT BE DISCLOSED IN WHOLE OR IN PART TO OTHERS OUTSIDE RECIPIENTS ORGANIZATION, EXCEPT IN CONNECTION WITH THE SALE AND USE OF THE RESPECTIVE EQUIPMENT, WITHOUT THE WRITTEN PERMISSION OF BLUE RAVEN SOLAR LLC.



CONTRACTOR:
BRS FIELD OPS
385.498.6700



To learn more about Enphase offerings, visit enphase.com



SHEET NAME
SPEC SHEET

PAGE NUMBER
SS

REVISION
0

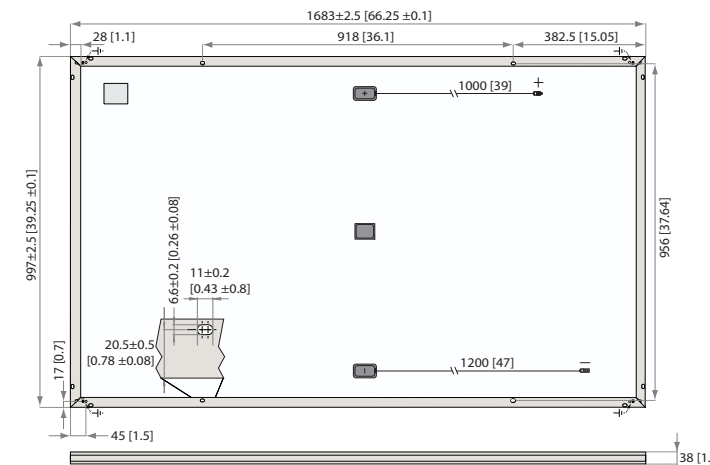
REC TWINPEAK 3 MONO BLACK SERIES

PREMIUM SOLAR PANELS WITH SUPERIOR PERFORMANCE

REC TwinPeak 3 Mono Black Series solar panels feature an innovative design with high panel efficiency and power output, enabling customers to get the most out of the space used for the installation.

Combined with industry-leading product quality and the reliability of a strong and established European brand, REC TwinPeak 3 Mono Black panels are ideal for residential and commercial rooftops worldwide.

REC TWINPEAK 3 MONO BLACK SERIES



Measurements in mm [in]

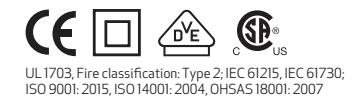
ELECTRICAL DATA @ STC		Product code*: RECxxxTP3M Black				
Power Output - P _{MAX} (Wp)		315	320	325	330	335
Watt Class Sorting - (W)		-0/+5	-0/+5	-0/+5	0/+5	-0/+5
Nominal Power Voltage - V _{MPP} (V)		33.6	33.8	34.1	34.3	34.6
Nominal Power Current - I _{MPP} (A)		9.40	9.50	9.54	9.62	9.69
Open Circuit Voltage - V _{OC} (V)		38.7	39.1	39.5	39.9	40.2
Short Circuit Current - I _{SC} (A)		10.30	10.30	10.36	10.39	10.42
Panel Efficiency (%)		18.8	19.1	19.4	19.7	20.0

Values at standard test conditions (STC: air mass AM1.5, irradiance 1000 W/m², temperature 25°C), based on a production spread with a tolerance of P_{MAX}, V_{OC} & I_{SC} ±3% within one watt class. At a low irradiance of 200 W/m² at least 95% of the STC module efficiency will be achieved. *Where xxx indicates the nominal power class (P_{MAX}) at STC indicated above.

ELECTRICAL DATA @ NMOT		Product code*: RECxxxTP3M Black				
Power Output - P _{MAX} (Wp)		235	238	242	246	250
Nominal Power Voltage - V _{MPP} (V)		31.3	31.5	31.7	31.9	32.2
Nominal Power Current - I _{MPP} (A)		7.51	7.57	7.63	7.70	7.75
Open Circuit Voltage - V _{OC} (V)		36.1	36.4	36.8	37.1	37.5
Short Circuit Current - I _{SC} (A)		8.23	8.26	8.29	8.31	8.34

Nominal module operating temperature (NMOT: air mass AM1.5, irradiance 800 W/m², temperature 20°C, wind speed 1 m/s). *Where xxx indicates the nominal power class (P_{MAX}) at STC indicated above.

CERTIFICATIONS



WARRANTY

	Standard		REC ProTrust	
	No	Yes	Yes	Yes
Installed by an REC Certified Solar Professional				
System Size	Any	<25 kW	25-500 kW	
Product Warranty (yrs)	20	25	25	
Power Warranty (yrs)	25	25	25	
Labor Warranty (yrs)	0	25	10	
Power in Year 1	97.5%	97.5%	97.5%	
Annual Degradation	0.7%	0.7%	0.7%	
Power in Year 25	80.7%	80.7%	80.7%	

See warranty documents for details. Some conditions apply.

20.0% EFFICIENCY
20 YEAR PRODUCT WARRANTY
25 YEAR LINEAR POWER OUTPUT WARRANTY

TEMPERATURE RATINGS	
Nominal Module Operating Temperature:	44.6°C (±2°C)
Temperature coefficient of P _{MAX} :	-0.37 %/°C
Temperature coefficient of V _{OC} :	-0.28 %/°C
Temperature coefficient of I _{SC} :	0.04 %/°C

GENERAL DATA

Cells: 120 half-cut mono-Si p-type PERC cells
 6 strings of 20 cells in series
 Glass: 0.13" (3.2 mm) solar glass with anti-reflective surface treatment
 Back sheet: Highly resistant polyester polyolefin construction (black)
 Frame: Anodized aluminum (black)
 Junction box: 3-part with 3 bypass diodes, IP67 rated
 12 AWG (4 mm²) PV wire, 39" + 47" (1.0 m + 1.2 m)
 Connectors: Stäubli MC4 PV-KBT4/PV-KST4, 12 AWG (4 mm²)

MAXIMUM RATINGS

Operational temperature: -40 ... +185°F (-40 ... +85°C)
 Maximum system voltage: 1000 V
 Design load (+): snow 3600 Pa (75.2 lbs/ft²)*
 Maximum test load (+): 5400 Pa (112.8 lbs/ft²)*
 Design load (-): wind 1600 Pa (33.4 lbs/ft²)*
 Maximum test load (-): 2400 Pa (50 lbs/ft²)*
 Max series fuse rating: 20 A
 Max reverse current: 20 A
 * Calculated using a safety factor of 1.5
 * See installation manual for mounting instructions

MECHANICAL DATA

Dimensions: 66.3 x 39.25 x 1.5 (1683 x 997 x 38 mm)
 Area: 17.98 ft² (1.68 m²)
 Weight: 41.7 lbs (18.9 kg)

Note! Specifications subject to change without notice.

Specifications subject to change without notice.

Ref: PM-05-07-16 Rev: A-05-20



1403 N RESEARCH WAY, BUILDING J
 OREM, UT 84097
 800-377-4480
 WWW.BLUERAVEN.SOLAR.COM

CONFIDENTIAL - THE INFORMATION HEREIN CONTAINED SHALL NOT BE USED FOR THE BENEFIT OF ANYONE EXCEPT BLUE RAVEN SOLAR NOR SHALL IT BE DISCLOSED IN WHOLE OR IN PART TO OTHERS OUTSIDE RECIPIENTS ORGANIZATION, EXCEPT IN CONNECTION WITH THE SALE AND USE OF THE RESPECTIVE EQUIPMENT, WITHOUT THE WRITTEN PERMISSION OF BLUE RAVEN SOLAR LLC.



CONTRACTOR:
 BRS FIELD OPS
 385.498.6700



MORE POWER OUTPUT PER M²



IMPROVED PERFORMANCE IN SHADED CONDITIONS



100% PID FREE



REDUCES BALANCE OF SYSTEM COSTS



ELIGIBLE FOR

REC Group is an international pioneering solar energy company dedicated to empowering consumers with clean, affordable solar power in order to facilitate global energy transitions. Committed to quality and innovation, REC offers photovoltaic modules with leading high quality, backed by an exceptional low warranty claims rate of less than 100ppm. Founded in Norway in 1996, REC employs 2,000 people and has an annual solar panel capacity of 1.8 GW. With over 10 GW installed worldwide, REC is empowering more than 16 million people with clean solar energy. REC Group is a BlueStar/Elkem company with headquarters in Norway, operational headquarters in Singapore, and regional bases in North America, Europe, and Asia-Pacific.



SHEET NAME	
SPEC SHEET	
PAGE NUMBER	REVISION
SS	0

UNIRAC INC.

LETTER REPORT

SCOPE OF WORK
ADDITION OF MODULES TO THE UNIRAC SFM CDR 102393982LAX-002

REPORT NUMBER
104430210LAX-001a

ISSUE DATE
24-Sept-2020

PAGES
3

DOCUMENT CONTROL NUMBER
GFT-OP-10a (21-June-2019)
© 2019 INTERTEK



LETTER REPORT

September 24, 2020

Intertek Report No. 104430210LAX-001a
Intertek Project No. G104430210

Klaus Nicolaedis
Unirac Inc.
1411 Broadway Blvd NE
Albuquerque, NM 87102-1545
USA
klaus.nicolaedis@unirac.com

Ph: 505-462-2190

Subject: Addition of modules to the Unirac SFM CDR 102393982LAX-002

Dear Klaus,

This letter report represents the results of our evaluation of the above referenced product(s) to the requirements contained in the following standards:

Mounting Systems, Mounting Devices, Clamping/Retention Devices, and Ground Lugs for Use with Flat-Plate Photovoltaic Modules and Panels [UL 2703:2015 Ed.1]

**SECTION 1
SUMMARY**

This investigation was authorized by quote # Qu-01101732 dated 08-17-2020. The scope of the project was to evaluate and add module frames to the SFM CDR 102393982LAX-002.

**SECTION 2
EVALUATION**

The following PV modules were evaluated for bonding/grounding purposes and are approved to be installed using the Unirac SFM model:

Manufacturer	Model
Hanwha Q Cell	Q.PEAK DUO L-G7, Q.PEAK DUO L-G7.1, Q.PEAK DUO L-G7.2, Q.PEAK DUO L-G7.3, Q.PEAK DUO L-G8, Q.PEAK DUO L-G8.1, Q.PEAK DUO L-G8.2, Q.PEAK DUO L-G8.3
REC	TP3M, TP3M Black
Silfab	SIL-xxx-NT, SIL-xxx-ML, SIL-xxx-NL, SIL-xxx-BL, SIL-xxx-HL

This report is for the exclusive use of Intertek's Client and is provided pursuant to the agreement between Intertek and its Client. Intertek's responsibility and liability are limited to the terms and conditions of the agreement. Intertek assumes no liability to any party, other than to the Client in accordance with the agreement, for any loss, expense or damage occasioned by the use of this report. Only the Client is authorized to permit copying or distribution of this report and then only in its entirety. Any use of the Intertek name or one of its marks for the sale or advertisement of the tested material, product or service must first be approved in writing by Intertek. The observations and test results in this report are relevant only to the sample tested. This report by itself does not imply that the material, product, or service is or has ever been under an Intertek certification program.

LETTER REPORT

**SECTION 3
PROJECT STATUS & ACTION**

Issuance of this letter report provides results of the evaluation covered by Intertek Project No. G104430210.

If there are any questions regarding the results contained in this report, or any of the other services offered by Intertek, please do not hesitate to contact your dedicated Intertek Project Manager.

Completed by:	Abhinav Prakash	Reviewed by:	Adam Muliawan
Title:	Project Engineer	Title:	Reviewer
Signature:		Signature:	
Date:	09-24-2020	Date:	09-25-2020

Please note: this Letter Report does not represent authorization for the use of any Intertek certification marks.



pe.eaton.com



General Duty Non-Fusible Safety Switch

DG222UGB

UPC:782114731130

Dimensions:

- Height: 7 IN
- Length: 6.41 IN
- Width: 8.4 IN

Weight:6 LB

Notes:WARNING! Switch is not approved for service entrance unless a neutral kit is installed.

Warranties:

- Eaton Selling Policy 25-000, one (1) year from the date of installation of the Product or eighteen (18) months from the date of shipment of the Product, whichever occurs first.

Specifications:

- Type: General Duty/Non-Fusible
- Amperage Rating: 60A
- Enclosure: NEMA 1
- Enclosure Material: Painted steel
- Fuse Configuration: Non-fusible
- Number Of Poles: Two-pole
- Number Of Wires: Two-wire
- Product Category: General Duty Safety Switch
- Voltage Rating: 240V

Supporting documents:

- [Eatons Volume 2-Commercial Distribution](#)
- [Eaton Specification Sheet - DG222UGB](#)

Certifications:

- UL Listed

Product compliance: No Data



1403 N RESEARCH WAY, BUILDING J
OREM, UT 84097

800-377-4480
WWW.BLUERAVENSOLAR.COM

CONFIDENTIAL - THE INFORMATION HEREIN CONTAINED SHALL NOT BE USED FOR THE BENEFIT OF ANYONE EXCEPT BLUE RAVEN SOLAR NOR SHALL IT BE DISCLOSED IN WHOLE OR IN PART TO OTHERS OUTSIDE RECIPIENTS ORGANIZATION, EXCEPT IN CONNECTION WITH THE SALE AND USE OF THE RESPECTIVE EQUIPMENT, WITHOUT THE WRITTEN PERMISSION OF BLUE RAVEN SOLAR LLC.



CONTRACTOR:
BRS FIELD OPS
385.498.6700

SHEET NAME
SPEC SHEET

PAGE NUMBER	REVISION
SS	0

CONFIDENTIAL - THE INFORMATION HEREIN CONTAINED SHALL NOT BE USED FOR THE BENEFIT OF ANYONE EXCEPT BLUE RAVEN SOLAR NOR SHALL IT BE DISCLOSED IN WHOLE OR IN PART TO OTHERS OUTSIDE RECIPIENTS ORGANIZATION, EXCEPT IN CONNECTION WITH THE SALE AND USE OF THE RESPECTIVE EQUIPMENT, WITHOUT THE WRITTEN PERMISSION OF BLUE RAVEN SOLAR LLC.

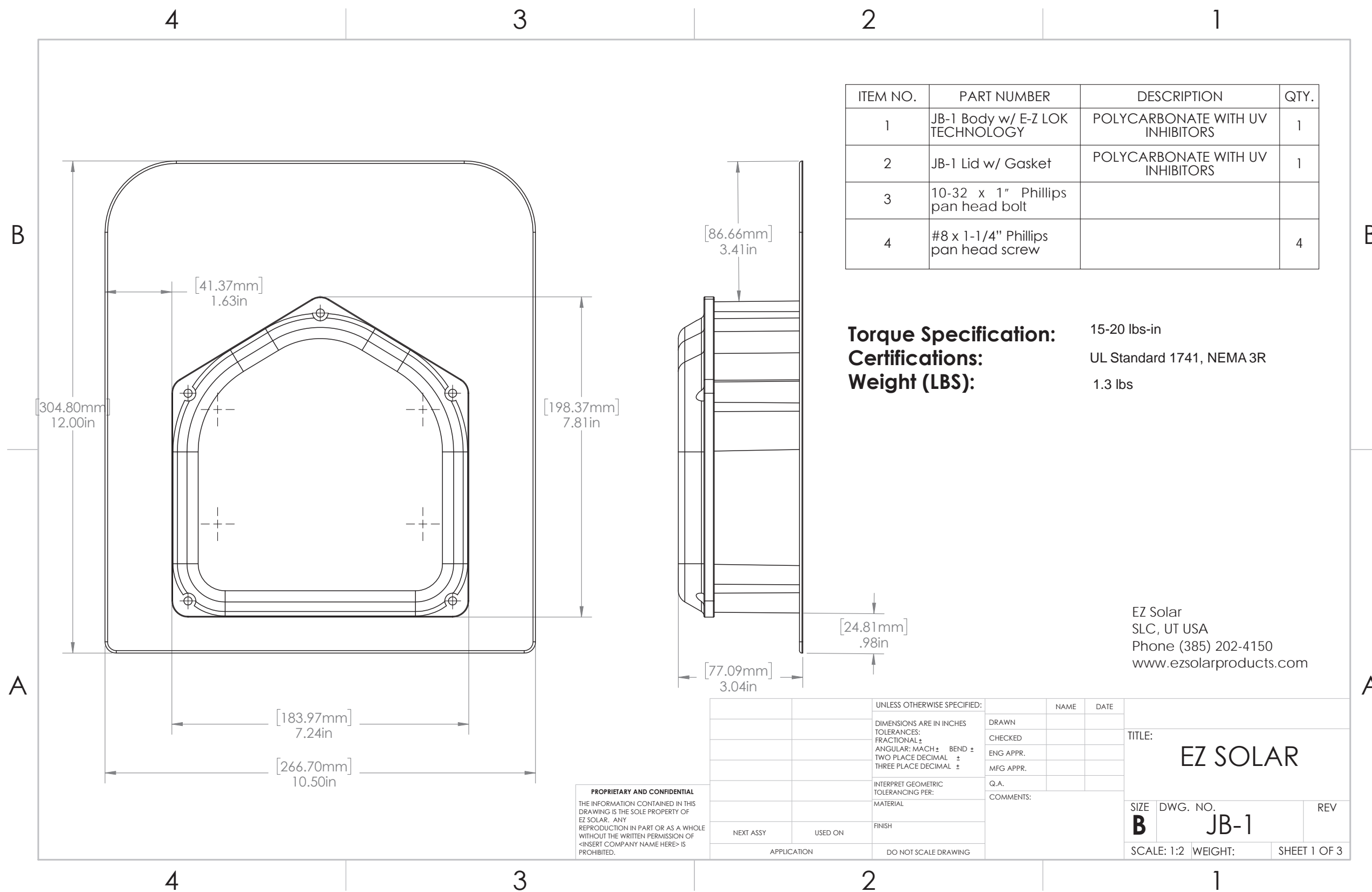


CONTRACTOR:
BRS FIELD OPS
385.498.6700

ITEM NO.	PART NUMBER	DESCRIPTION	QTY.
1	JB-1 Body w/ E-Z LOK TECHNOLOGY	POLYCARBONATE WITH UV INHIBITORS	1
2	JB-1 Lid w/ Gasket	POLYCARBONATE WITH UV INHIBITORS	1
3	10-32 x 1" Phillips pan head bolt		
4	#8 x 1-1/4" Phillips pan head screw		4

Torque Specification: 15-20 lbs-in
Certifications: UL Standard 1741, NEMA 3R
Weight (LBS): 1.3 lbs

EZ Solar
SLC, UT USA
Phone (385) 202-4150
www.ezsolarproducts.com



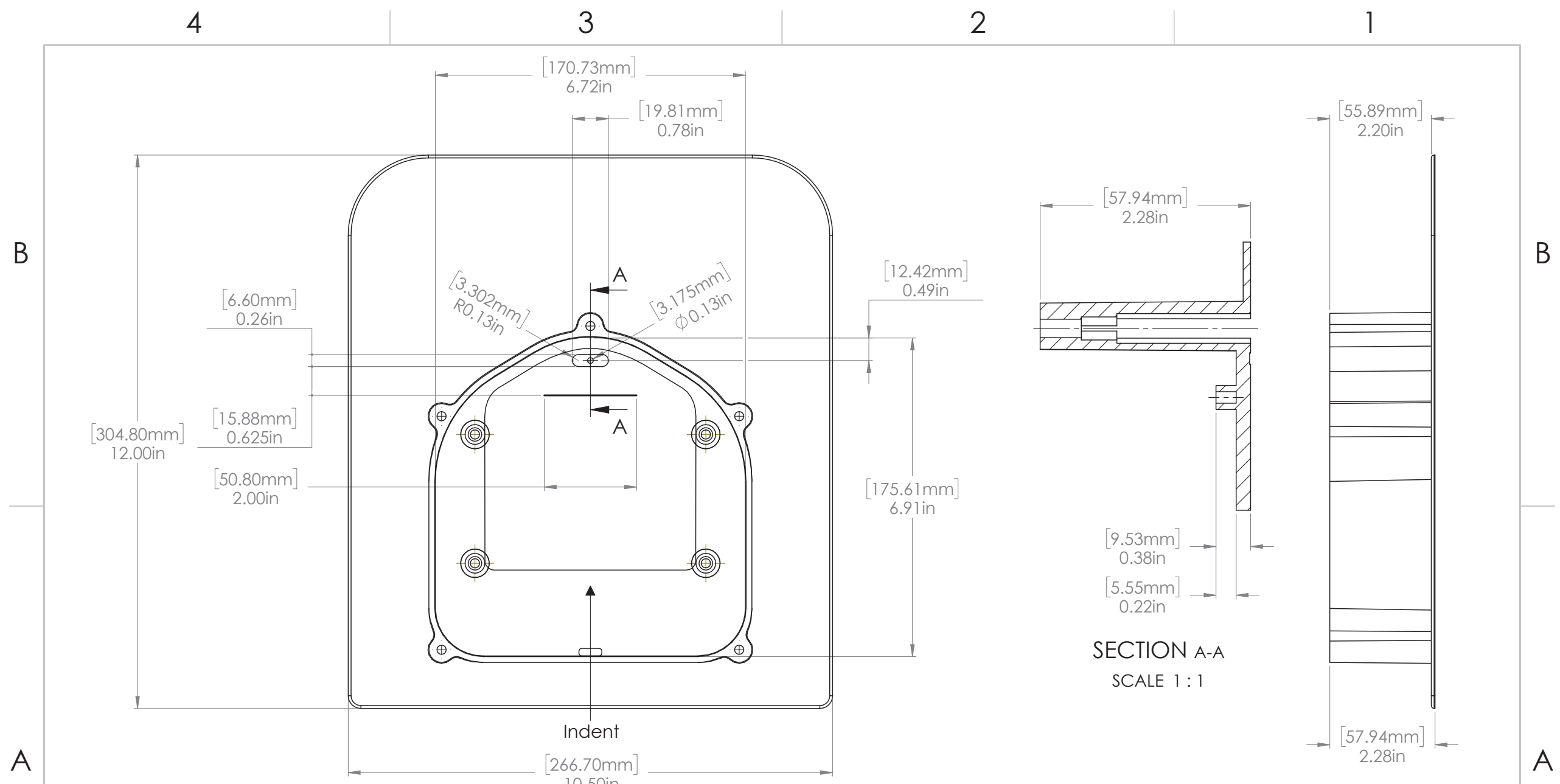
PROPRIETARY AND CONFIDENTIAL
THE INFORMATION CONTAINED IN THIS DRAWING IS THE SOLE PROPERTY OF EZ SOLAR. ANY REPRODUCTION IN PART OR AS A WHOLE WITHOUT THE WRITTEN PERMISSION OF <INSERT COMPANY NAME HERE> IS PROHIBITED.

UNLESS OTHERWISE SPECIFIED:		NAME	DATE
DRAWN			
CHECKED			
ENG APPR.			
MFG APPR.			
Q.A.			
COMMENTS:			
NEXT ASSY	USED ON		
APPLICATION	DO NOT SCALE DRAWING		

TITLE: EZ SOLAR

SIZE: **B** DWG. NO.: JB-1 REV: _____

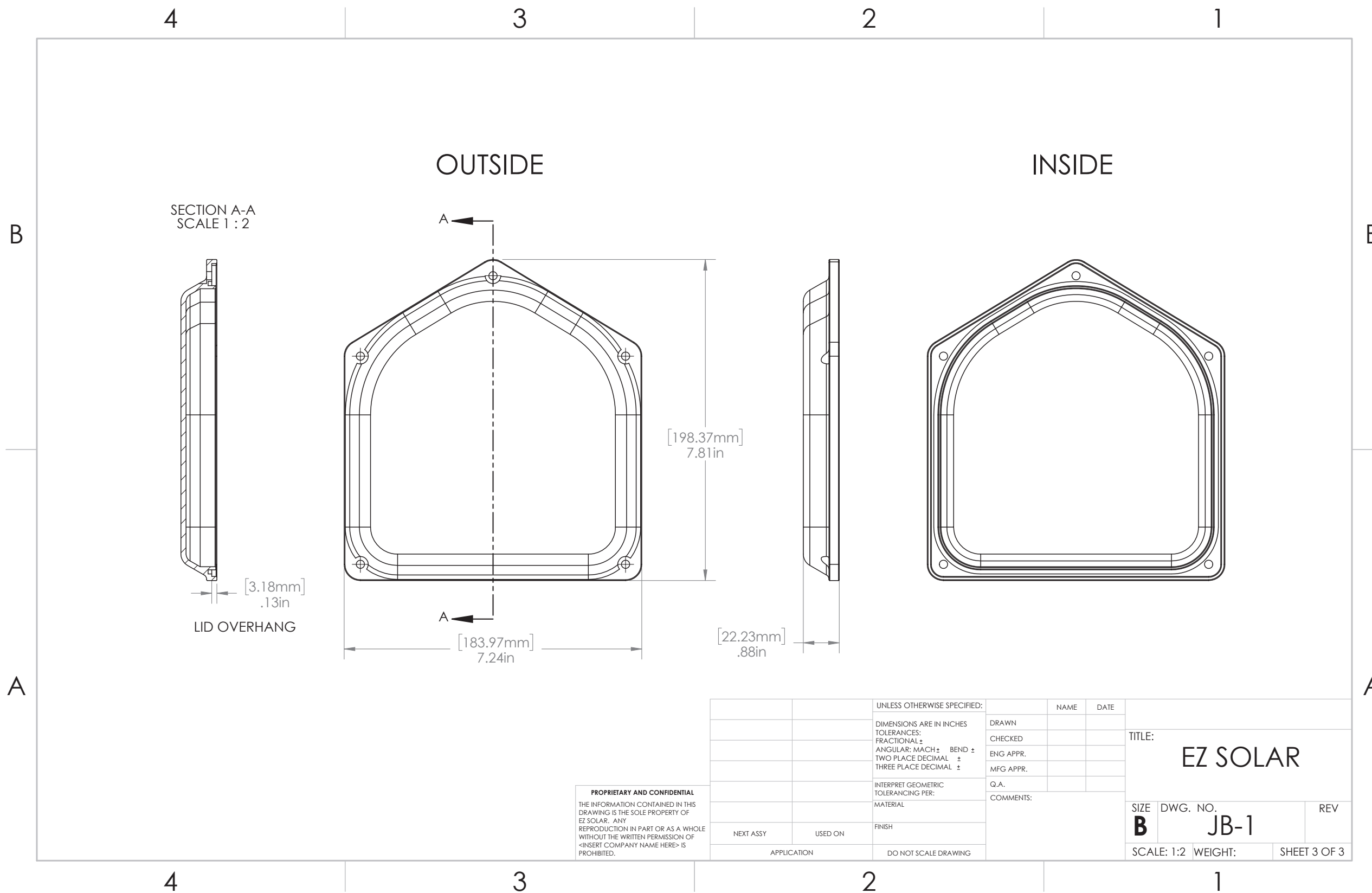
SCALE: 1:2 WEIGHT: _____ SHEET 1 OF 3



PROPRIETARY AND CONFIDENTIAL
THE INFORMATION CONTAINED IN THIS
DRAWING IS THE SOLE PROPERTY OF
EZ SOLAR.
ANY REPRODUCTION IN PART
OR AS A WHOLE WITHOUT THE WRITTEN
PERMISSION OF EZ SOLAR IS PROHIBITED.

UNLESS OTHERWISE SPECIFIED:		NAME	DATE
DIMENSIONS ARE IN INCHES			
TOLERANCES:		DRAWN	
FRACTIONAL ±		CHECKED	
ANGULAR: MACH ± BEND ±		ENG APPR.	
TWO PLACE DECIMAL ±		MFG APPR.	
THREE PLACE DECIMAL ±		Q.A.	
INTERPRET GEOMETRIC TOLERANCING PER:		COMMENTS:	
MATERIAL			
FINISH			
NEXT ASSY	USED ON		
APPLICATION	DO NOT SCALE DRAWING		

TITLE: EZ SOLAR		
SIZE B	DWG. NO. JB-1	REV
SCALE: 1:2	WEIGHT:	SHEET 2 OF 3



PROPRIETARY AND CONFIDENTIAL
THE INFORMATION CONTAINED IN THIS
DRAWING IS THE SOLE PROPERTY OF
EZ SOLAR. ANY
REPRODUCTION IN PART OR AS A WHOLE
WITHOUT THE WRITTEN PERMISSION OF
<INSERT COMPANY NAME HERE> IS
PROHIBITED.

UNLESS OTHERWISE SPECIFIED:		NAME	DATE	TITLE: EZ SOLAR
DIMENSIONS ARE IN INCHES		DRAWN		
TOLERANCES:		CHECKED		
FRACTIONAL: ±		ENG APPR.		
ANGULAR: MACH ±		MFG APPR.		SIZE DWG. NO. REV
TWO PLACE DECIMAL ±		Q.A.		B JB-1
THREE PLACE DECIMAL ±		COMMENTS:		SCALE: 1:2 WEIGHT: SHEET 3 OF 3
INTERPRET GEOMETRIC TOLERANCING PER:				
MATERIAL				
NEXT ASSY	USED ON	FINISH		
APPLICATION		DO NOT SCALE DRAWING		



SFM SUN
FRAME
MICRORAIL™

SYSTEM BONDING & GROUNDING

INSTALLATION GUIDE : **Q** PAGE



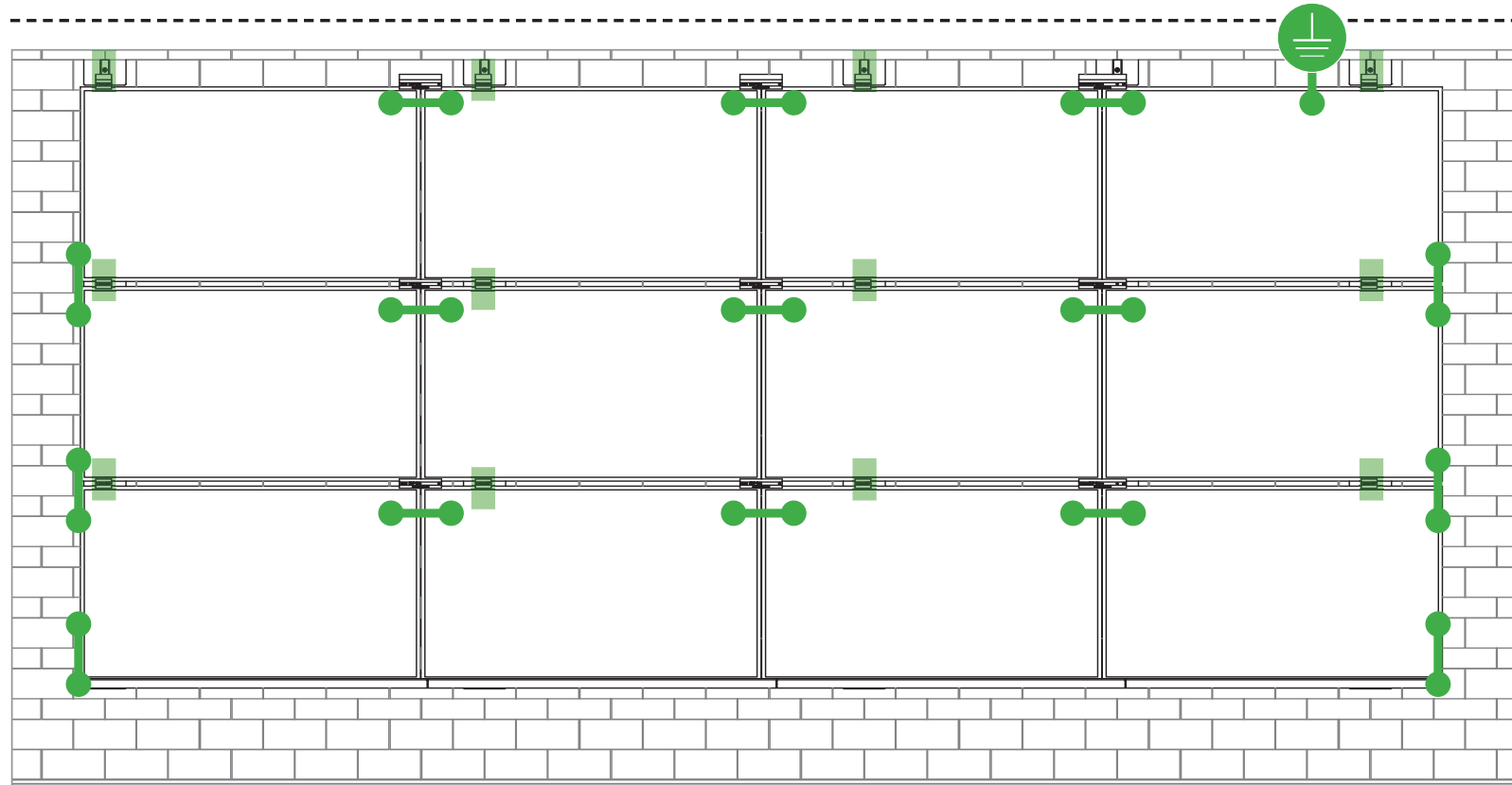
1403 N RESEARCH WAY, BUILDING J
OREM, UT 84097

800-377-4480
WWW.BLUERAVENSolar.COM

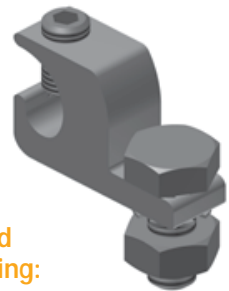
CONFIDENTIAL - THE INFORMATION
HEREIN CONTAINED SHALL NOT BE
USED FOR THE BENEFIT OF
ANYONE EXCEPT BLUE RAVEN
SOLAR NOR SHALL IT BE
DISCLOSED IN WHOLE OR IN PART
TO OTHERS OUTSIDE RECIPIENTS
ORGANIZATION, EXCEPT IN
CONNECTION WITH THE SALE AND
USE OF THE RESPECTIVE
EQUIPMENT, WITHOUT THE
WRITTEN PERMISSION OF BLUE
RAVEN SOLAR LLC.



CONTRACTOR:
BRS FIELD OPS
385.498.6700

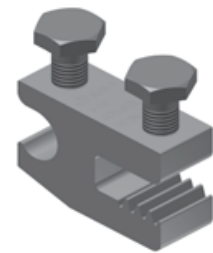


Star Washer is
Single Use Only

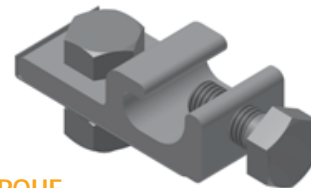


TERMINAL TORQUE,
Install Conductor and
torque to the following:
4-6 AWG: 35in-lbs
8 AWG: 25 in-lbs
10-14 AWG: 20 in-lbs

TERMINAL TORQUE,
Install Conductor and
torque to the following:
4-14 AWG: 35in-lbs



WEELUG
Single Use Only



TERMINAL TORQUE,
Install Conductor and
torque to the following:
6-14 AWG: 7ft-lbs

**LUG DETAIL & TORQUE INFO
IlSCO Lay-In Lug (GBL-4DBT)**

- 10-32 mounting hardware
- Torque = 5 ft-lb
- AWG 4-14- Solid or Stranded

**LUG DETAIL & TORQUE INFO
IlSCO Flange Lug(SGB-4)**

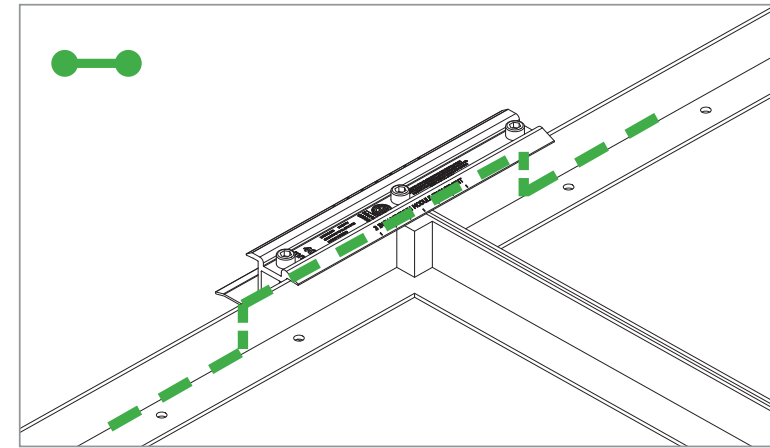
- 1/4" mounting hardware
- Torque = 75 in-lb
- AWG 4-14- Solid or Stranded

**LUG DETAIL & TORQUE INFO
Wiley WEELUG (6.7)**

- 1/4" mounting hardware
- Torque = 10 ft-lb
- AWG 6-14- Solid or Stranded

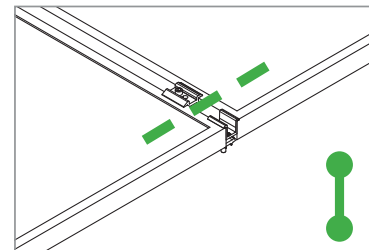
NOTE: ISOLATE COPPER FROM ALUMINUM CONTACT TO PREVENT CORROSION

System bonding is accomplished through modules. System grounding accomplished by attaching a ground lug to any module at a location on the module specified by the module manufacturer.



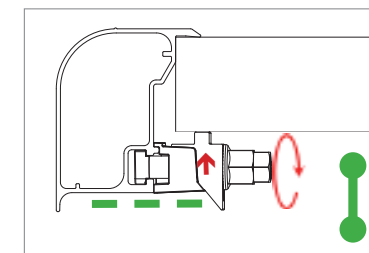
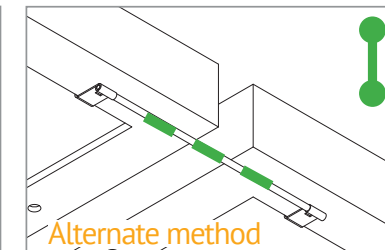
E-W BONDING PATH:

E-W module to module bonding is accomplished with 2 pre-installed bonding pins which engage on the secure side of the Microrail™ and splice.



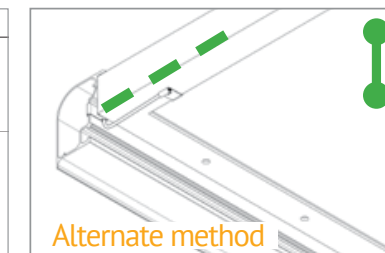
N-S BONDING PATH:

N-S module to module bonding is accomplished with bonding clamp with 2 integral bonding pins. (refer also to alternate method)



TRIMRAIL BONDING PATH:

Trimrail to module bonding is accomplished with bonding clamp with integral bonding pin and bonding T-bolt. (refer also to alternate method)



SHEET NAME
SPEC SHEET

PAGE NUMBER
SS

REVISION
0

SYSTEM LEVEL FIRE CLASSIFICATION

The system fire class rating requires installation in the manner specified in the SUNFRAME MICRORAIL (SFM) Installation Guide. SFM has been classified to the system level fire portion of UL 1703. This UL 1703 classification has been incorporated into the UL 2703 product certification. SFM has achieved Class A, B & C system level performance for low slope & steep sloped roofs when used in conjunction with type 1 and type 2 modules. Class A, B & C system level fire

performance is inherent in the SFM design, and no additional mitigation measures are required. The fire classification rating is valid for any roof pitch. There is no required minimum or maximum height limitation above the roof deck to maintain the Class A, B & C fire rating for SFM. SUNFRAME MICRORAIL™ components shall be mounted over a fire resistant roof covering rated for the application.

Module Type	Roof Slope	System Level Fire Rating	Microrail Direction	Module Orientation	Mitigation Required
Type 1 and Type 2	Steep Slope & Low Slope	Class A, B & C	East-West	Landscape OR Portrait	None Required

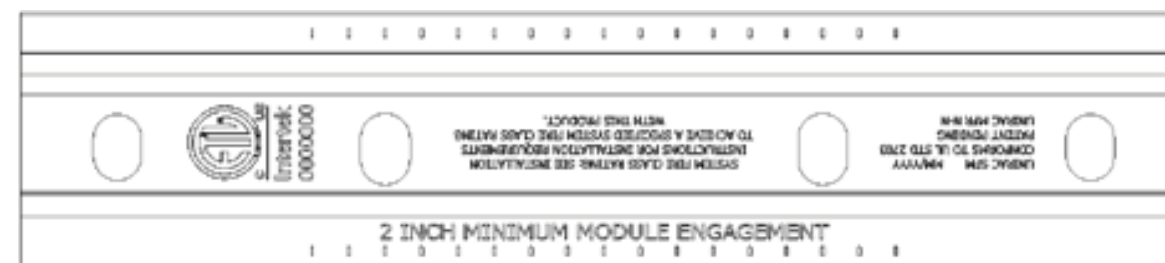
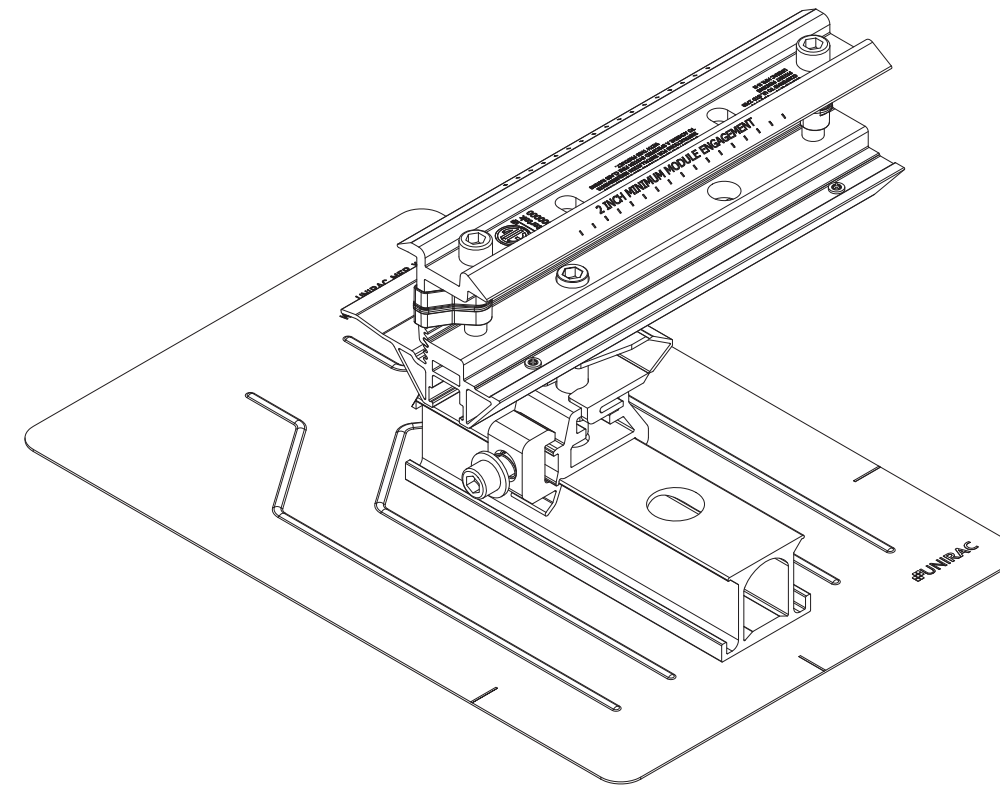
UL2703 TEST MODULES

See page "S" for a list of modules that were electrically and mechanically tested or qualified with the SUNFRAME MICRORAIL (SFM) components outlined within this Installation Guide.

- Maximum Area of Module = 22.3 sqft
- UL2703 Design Load Ratings:
 - a) Downward Pressure – 113 PSF / 5400 Pa
 - b) Upward Pressure – 50 PSF / 2400 Pa
 - c) Down-Slope Load – 30 PSF / 1400 Pa
- Tested Loads:
 - a) Downward Pressure – 170 PSF / 8000 Pa
 - b) Upward Pressure – 75 PSF / 3500 Pa
 - c) Down-Slope Load – 45 PSF / 2100 Pa
- Maximum Span = 6ft
- Use with a maximum over current protection device OCPD of 30A
- System conforms to UL Std 2703, certified to LTR AE-001-2012
- Rated for a design load of 2400 Pa / 5400 Pa with 24 inch span

LABEL MARKINGS

- System fire class rating: See installation instructions for installation requirements to achieve a specified system fire class rating with Unirac .
- Unirac SUNFRAME MICRORAIL™ is listed to UL 2703.
- All splices within a system are shipped with marking indicating date and location of manufacture.



Manufacture	Module Model / Series
Aleo	P-Series
Astronergy	CHSM6612P, CHSM6612P/HV, CHSM6612M, CHSM6612M/HV, CHSM6610M (BL)(BF)/(HF), CHSM72M-HC
Auxin	AXN6M610T, AXN6P610T, AXN6M612T & AXN6P612T
Axitec	AXI Power, AXI Premium, AXI Black Premium
Boviet	BVM6610, BVM6612
BYD	P6K & MHK-36 Series
Canadian Solar	CS6V-M, CS6P-P, CS6K-M, CS5A-M, CS6K-MS, CS6U-P, CS6U-M, CS6X-P, CS6K-MS, CS6K-M, CS6K-P, CS6P-P, CS6P-M, CS3U-P, CS3U-MS, CS3K-P, CS3K-MS, CS1K-MS, CS3K, CS3U, CS3U-MB-AG, CS3K-MB-AG, CS6K, CS6U, CS3L, CS3W, CS1H-MS, CS1U-MS
Centrosolar America	C-Series & E-Series
CertainTeed	CT2xxMxx-01, CT2xxPxx-01, CTxxxMxx-02, CTxxxM-03, CTxxxMxx-04, CTxxxHC11-04
Dehui	DH-60M
Eco Solargy	Orion 1000 & Apollo 1000
FreeVolt	Mono PERC
GCL	GCL-P6 & GCL-M6 Series
Hansol	TD-AN3, TD-AN4, UB-AN1, UD-AN1
Heliene	36M, 60M, 60P, 72M & 72P Series
HT Solar	HT60-156(M) (NDV) (-F), HT 72-156(M/P)
Hyundai	KG, MG, TG, RI, RG, TI, MI, HI & KI Series
ITEK	iT, iT-HE & iT-SE Series
Japan Solar	JPS-60 & JPS-72 Series

Manufacture	Module Model / Series
JA Solar	JAP6 60-xxx, JAM6-60-xxx/SI, JAM6(K)-60/xxx, JAP6(k)-72-xxx/4BB, JAP72SYY-xxx/ZZ, JAP6(k)-60-xxx/4BB, JAP60SYY-xxx/ZZ, JAM6(k)-72-xxx/ZZ, JAM72SYY-xxx/ZZ, JAM6(k)-60-xxx/ZZ, JAM60SYY-xxx/ZZ. i. YY: 01, 02, 03, 09, 10 ii. ZZ: SC, PR, BP, HiT, IB, MW
Jinko	JKM & JKMS Series
Kyocera	KU Series
LG Electronics	LG xxx S1C-A5, LG xxx N1C-A5, LGxxxQ1C(Q1K)-A5, LGxxxN1C(N1K)-A5, LGxxxS1CA5, LGxxxA1C-A5, LGxxxN2T-A4, LGxxxN2T-A5, LGxxxN2W-A5, LGxxxS2W-A5, LGxxxE1C-A5, LGxxxS2W-G4, LGxxxN1C(N1K)-G4, LGxxxN2W-G4, LGxxxS1C-G4, LGxxxE1K-A5, LGxxxN2T-J5, LGxxxN1K(N1C)-V5, LGxxxQ1C(N2W)-V5,
LONGi	LR6-60 & LR6-72 Series, LR4-60 & LR4-72 Series
Mission Solar Energy	MSE Series
Mitsubishi	MJE & MLE Series
Neo Solar Power Co.	D6M & D6P Series
Panasonic	VBHNxxxSA15 & SA16, VBHNxxxSA17 & SA18, VBHNxxxSA17(E/G) & SA18E, VBHNxxxKA01 & KA03 & KA04, VBHNxxxZA01, VBHNxxxZA02, VBHNxxxZA03, VBHNxxxZA04
Peimar	SGxxxM (FB/BF)
Phono Solar	PS-60, PS-72
Q.Cells	Plus, Pro, Peak, G3, G4, G5, G6(+), G7, G8(+) Pro, Peak L-G2, L-G4, L-G5, L-G6, L-G7

Manufacture	Module Model / Series
REC	PEAK Energy Series, PEAK Energy BLK2 Series, PEAK Energy 72 Series, TwinPeak 2 Series, TwinPeak 2 BLK2 Series, TwinPeak Series
Renesola	Vitrus2 Series & 156 Series
Risen	RSM Series
S-Energy	SN72 & SN60 Series (40mm)
Seraphim	SEG-6 & SRP-6 Series
Sharp	NU-SA & NU-SC Series
Silfab	SLA, SLG & BC Series
Solaria	PowerXT
SolarWorld	Sunmodule Protect, Sunmodule Plus
Sonali	SS 230 - 265
Suntech	STP
Suniva	MV Series & Optimus Series
Sun Edison/Flextronics	F-Series, R-Series & FLEX FXS Series
SunPower	X-Series, E-Series & P-Series
Talesun	TP572, TP596, TP654, TP660, TP672, Hipor M, Smart
Tesla	SC, SC B, SC B1, SC B2
Trina	PA05, PD05, DD05, DE06, DD06, PE06, PD14, PE14, DD14, DE14, DE15, PE15H
Upsolar	UP-MxxxP(-B), UP-MxxxM(-B)
URE	D7MxxxH8A, D7KxxxH8A, D7MxxxH7A
Vikram	Eldora, Solivo, Somera
Waaree	AC & Adiya Series
Winaico	WST & WSP Series
Yingli	YGE & YLM Series

Please see the SFM UL2703Construction Data Report at Unirac.com to ensure the exact solar module selected is approved for use with SFM. SFM Infinity is not compatible with module frame height of less than 32mm and more than 40mm. See page J for further information.



AUTHORIZATION TO MARK

This authorizes the application of the Certification Mark(s) shown below to the models described in the Product(s) Covered section when made in accordance with the conditions set forth in the Certification Agreement and Listing Report. This authorization also applies to multiple listee model(s) identified on the correlation page of the Listing Report.

This document is the property of Intertek Testing Services and is not transferable. The certification mark(s) may be applied only at the location of the Party Authorized To Apply Mark.

Applicant: Unirac, Inc

Manufacturer:

Address: 1411 Broadway Blvd NE
Albuquerque, NM 87102

Address:

Country: USA
Contact: Klaus Nicolaedis

Country:
Contact:

Phone: 505-462-2190
505-843-1418

Phone:

FAX: NA
Email: klaus.nicolaedis@unirac.com
toddg@unirac.com

FAX:
Email:

Party Authorized To Apply Mark: Same as Manufacturer
Report Issuing Office: Lake Forest, CA

Control Number: 5003705

Authorized by:

Claudia Ladynski

for L. Matthew Snyder, Certification Manager



This document supersedes all previous Authorizations to Mark for the noted Report Number.

This Authorization to Mark is for the exclusive use of Intertek's Client and is provided pursuant to the Certification agreement between Intertek and its Client. Intertek's responsibility and liability are limited to the terms and conditions of the agreement. Intertek assumes no liability to any party, other than to the Client in accordance with the agreement, for any loss, expense or damage occasioned by the use of this Authorization to Mark. Only the Client is authorized to permit copying or distribution of this Authorization to Mark and then only in its entirety. Use of Intertek's Certification mark is restricted to the conditions laid out in the agreement and in this Authorization to Mark. Any further use of the Intertek name for the sale or advertisement of the tested material, product or service must first be approved in writing by Intertek. Initial Factory Assessments and Follow up Services are for the purpose of assuring appropriate usage of the Certification mark in accordance with the agreement, they are not for the purposes of production quality control and do not relieve the Client of their obligations in this respect.

Intertek Testing Services NA Inc.
545 East Algonquin Road, Arlington Heights, IL 60005
Telephone 800-345-3851 or 847-439-5667 Fax 312-283-1672

Standard(s):	Mounting Systems, Mounting Devices, Clamping/Retention Devices, and Ground Lugs for Use with Flat-Plate Photovoltaic Modules and Panels [UL 2703: 2015 Ed.1] Photovoltaic Module Racking Systems [CSA LTR AE-001:2012 Ed.2012/10/23]
Product:	Photovoltaic Mounting System, Sun Frame Microrail Installation Guide, PUB2020MAY04
Brand Name:	Unirac
Models:	Unirac SFM



AUTHORIZATION TO MARK

This authorizes the application of the Certification Mark(s) shown below to the models described in the Product(s) Covered section when made in accordance with the conditions set forth in the Certification Agreement and Listing Report. This authorization also applies to multiple listee model(s) identified on the correlation page of the Listing Report.

This document is the property of Intertek Testing Services and is not transferable. The certification mark(s) may be applied only at the location of the Party Authorized To Apply Mark.

Applicant: Unirac, Inc

Manufacturer:

Address: 1411 Broadway Blvd NE
Albuquerque, NM 87102

Address:

Country: USA
Contact: Klaus Nicolaedis

Country:
Contact:

Phone: 505-462-2190
505-843-1418

Phone:

FAX: NA
Email: klaus.nicolaedis@unirac.com
toddg@unirac.com

FAX:
Email:

Party Authorized To Apply Mark: Same as Manufacturer
Report Issuing Office: Lake Forest, CA

Control Number: 5003705

Authorized by:

Claudia Ladynski

for L. Matthew Snyder, Certification Manager



This document supersedes all previous Authorizations to Mark for the noted Report Number.

This Authorization to Mark is for the exclusive use of Intertek's Client and is provided pursuant to the Certification agreement between Intertek and its Client. Intertek's responsibility and liability are limited to the terms and conditions of the agreement. Intertek assumes no liability to any party, other than to the Client in accordance with the agreement, for any loss, expense or damage occasioned by the use of this Authorization to Mark. Only the Client is authorized to permit copying or distribution of this Authorization to Mark and then only in its entirety. Use of Intertek's Certification mark is restricted to the conditions laid out in the agreement and in this Authorization to Mark. Any further use of the Intertek name for the sale or advertisement of the tested material, product or service must first be approved in writing by Intertek. Initial Factory Assessments and Follow up Services are for the purpose of assuring appropriate usage of the Certification mark in accordance with the agreement, they are not for the purposes of production quality control and do not relieve the Client of their obligations in this respect.

Intertek Testing Services NA Inc.
545 East Algonquin Road, Arlington Heights, IL 60005
Telephone 800-345-3851 or 847-439-5667 Fax 312-283-1672

Standard(s):	Mounting Systems, Mounting Devices, Clamping/Retention Devices, and Ground Lugs for Use with Flat-Plate Photovoltaic Modules and Panels [UL 2703: 2015 Ed.1] Photovoltaic Module Racking Systems [CSA LTR AE-001:2012 Ed.2012/10/23]
Product:	Photovoltaic Mounting System, Sun Frame Microrail Installation Guide, PUB2020MAY04
Brand Name:	Unirac
Models:	Unirac SFM



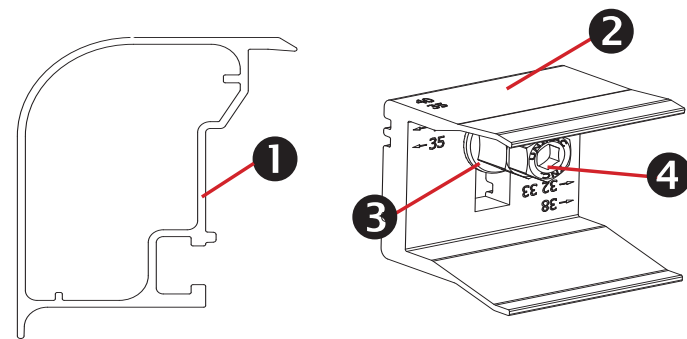
1403 N RESEARCH WAY, BUILDING J
OREM, UT 84097

800-377-4480
WWW.BLUERAVENSOLAR.COM

CONFIDENTIAL - THE INFORMATION HEREIN CONTAINED SHALL NOT BE USED FOR THE BENEFIT OF ANYONE EXCEPT BLUE RAVEN SOLAR NOR SHALL IT BE DISCLOSED IN WHOLE OR IN PART TO OTHERS OUTSIDE RECIPIENTS ORGANIZATION, EXCEPT IN CONNECTION WITH THE SALE AND USE OF THE RESPECTIVE EQUIPMENT, WITHOUT THE WRITTEN PERMISSION OF BLUE RAVEN SOLAR LLC.



CONTRACTOR:
BRS FIELD OPS
385.498.6700



Trimrail™ and Module Clips

Sub-Components:

1. Trim Rail
2. Module Clip
3. T-Bolt
4. Tri-Drive Nut

Trimrail™

Functions:

- Required front row structural support (with module clips)
- Module mounting
- Installation aid
- Aesthetic trim

Features:

- Mounts directly to L-feet
- Aligns and captures module leading edge
 - Supports discrete module thicknesses from 32, 33, 35, 38, and 40mm

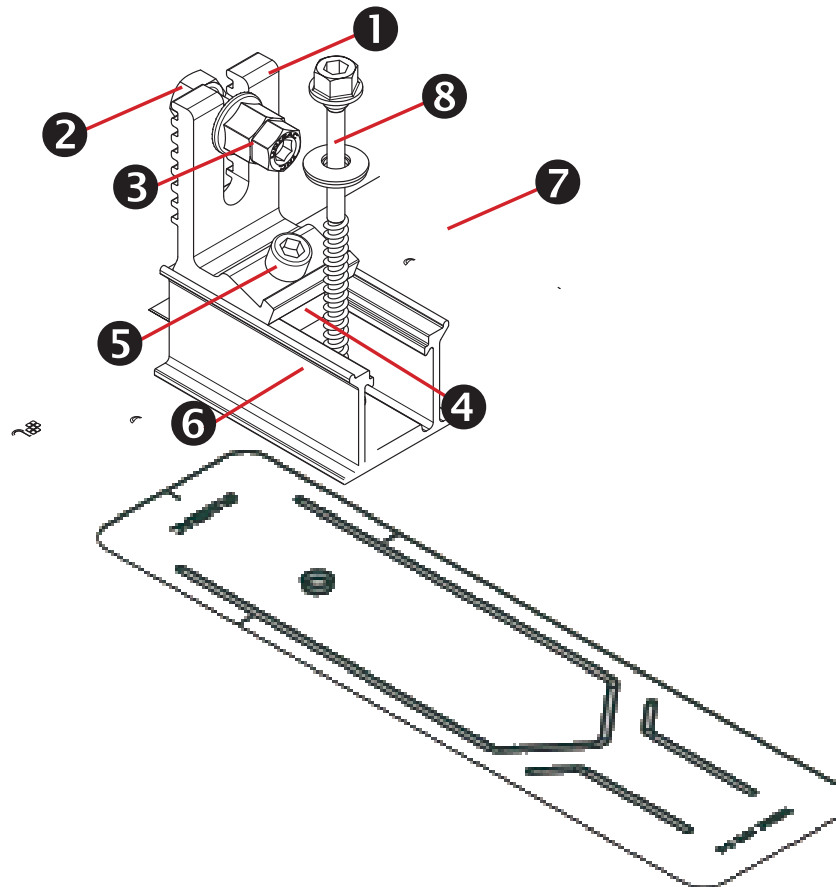
Module Clips

Functions:

- Required front row structural support (with trimrail)
- Module mounting

Features:

- Mounts to Trimrail™ with T-bolt and tri-drive nut
- Manually adjustable to fit module thicknesses 32, 33, 35, 38, and 40mm.



Trimrail™ Flashkit

Sub-Components:

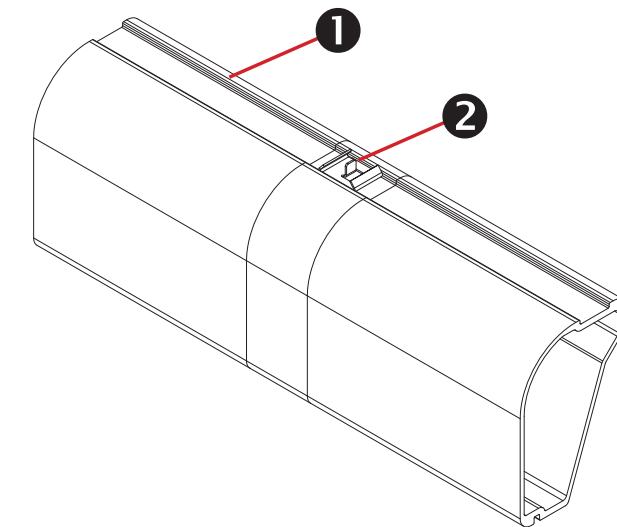
- L-Foot
- Hex bolt
- Tri-drive nut
- Channel Nut
- Socket Head Cap Screw
- 3\" Channel/Slider w/grommet
- 3\" Wide Flashing
- Structural Screw & SS EPDM Washer

Functions:

- Attach Trimrail™ to roof attachment / flashing
- Patented roof sealing technology at roof attachment point

Features:

- Slot provides vertical adjustments to level array
- Slider provides north/south adjustment along the slope of the roof
- Shed and Seal Technology



Trimrail™ Splice

Sub-Components:

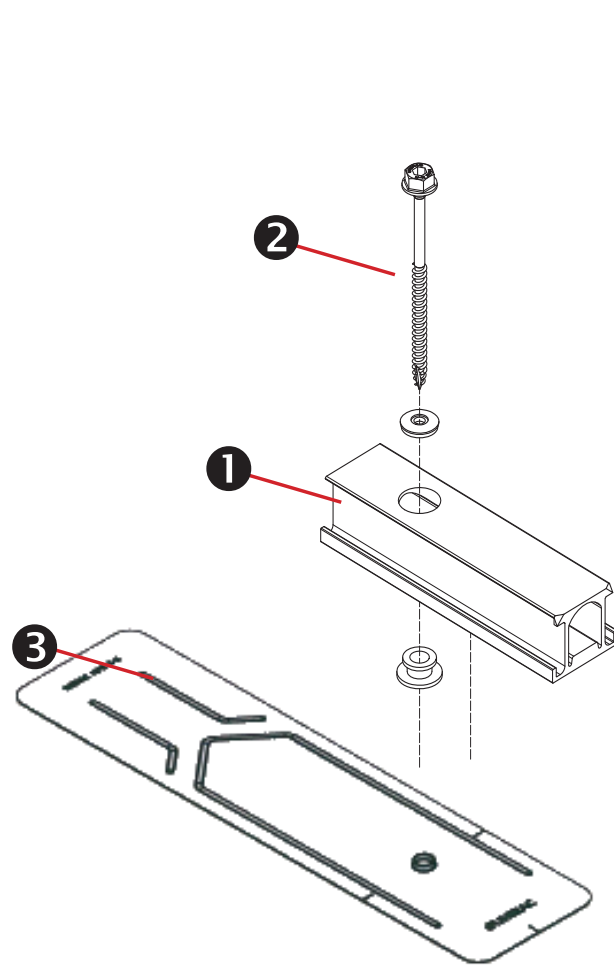
1. Structural Splice Extrusion
2. Bonding Clip

Functions:

- Front row structural support
- Installation aid
- Structurally connects 2 pieces of Trimrail™
- Electrically bonds 2 pieces of Trimrail™

Features:

- Aligns and connects Trimrail™ pieces
- Tool-less installation



SFM Slider Flashkit

Sub-Components:

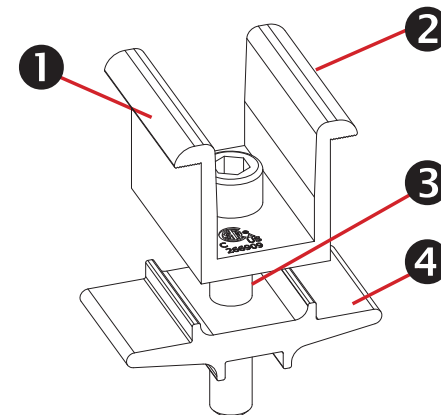
1. Slider w/grommet
2. Structural Screw & SS EPDM washer
3. 3" Wide Flashing

Functions:

- Patented Shed & Seal roof sealing technology at roof attachment point
- For use with compatible 2" Microrail or 8" Attached Splices

Features:

- Slider provides north/south adjustment along the slope of the roof
- Shed and Seal Technology



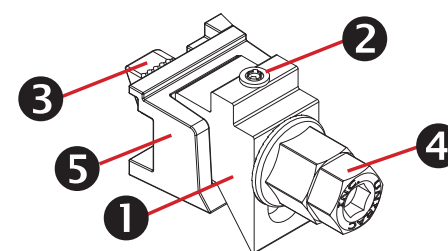
Module-to-Module N-S Bonding

Sub-Components:

1. Clamp
2. Bonding Pins (2)
3. 5/16" Socket Head Cap Screw
4. Clamp Base

Functions/ Features:

- Row to row bonding
- Single Use Only
- Fits module sizes 32-40mm



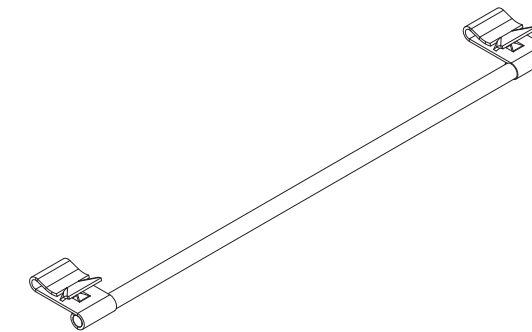
Trim -to- Module Bonding Clamp and Floating Trim Clamp

Sub-Components:

1. Wedge
2. Bonding Pin
3. T-Bolt
4. Nut
5. Cast Base

Functions/ Features:

- Module to Trimrail™ bonding - single use only
- Attaches Trimrail™ to module when fewer than 2 rafter attachment points are available
- Fits module sizes 32-40mm
- Fits module sizes 32-40mm



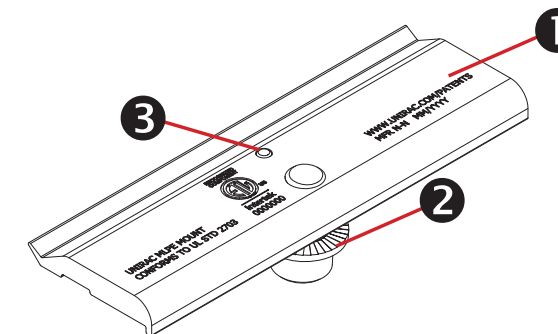
Wire Bonding Clip w/ 8AWG

Functions:

- Row to row bonding
- Module to Trimrail™ bonding
- Single Use Only

Features:

Tool-less installation



MLPE Mounting Assembly

Sub-Components:

1. MLPE Mount Base
2. 5/16 Socket Head Cap Screw
3. Bonding Pin

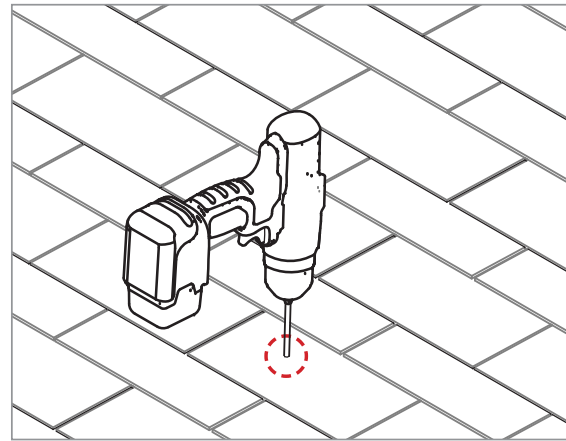
Functions:

- Securely mounts MLPE to module frames
- MLPE to module bonding

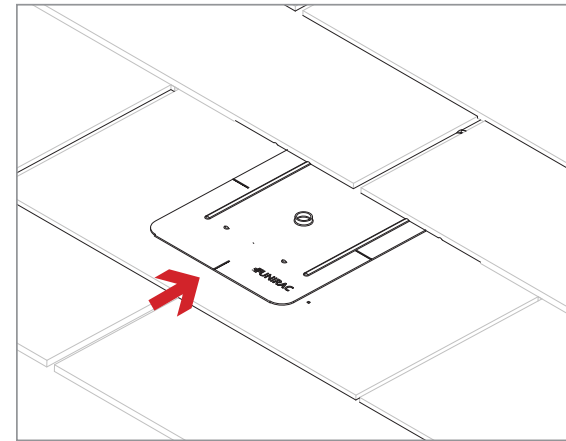
Features:

- Mounts easily to typical module flange
- UL2703 Recognized

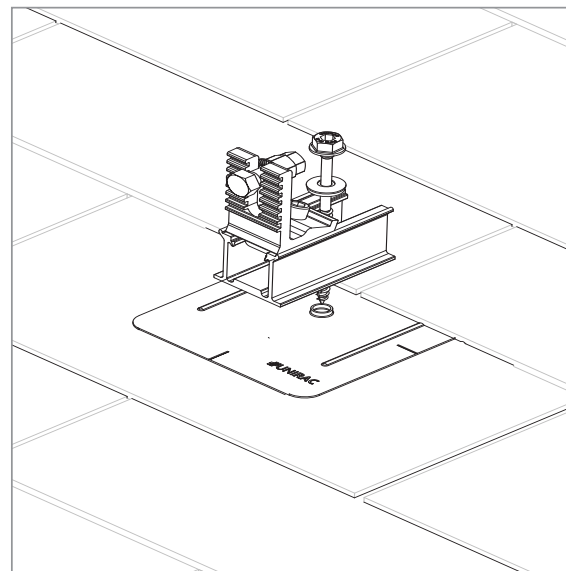
MLPE = Module Level Power Electronics,
e.g. microinverter or power optimizer



PILOT HOLES:
Drill pilot holes for lag screws or structural screws (as necessary) at marked attachment points



FLASHINGS:
Place flashings



INSTALL SLIDERS AND TRIMRAIL ROOF ATTACHMENTS:

- Insert flashings per manufacturer instructions

NOTE: Use Lag screw or structural fastener with a maximum diameter of 5/16"

- Attach sliders to rafters
- Verify proper row to row spacing for module size (Mod NS + 1")
- Ensure that Trimrail™ roof attachments in each row have sufficient engagement with slider dovetails for proper attachment.

