

PROJECT DESCRIPTION:

13 X 320 HANWHA QCELL Q.PEAK DUO-G5 320 (320W) MODULES
 ROOF MOUNTED SOLAR PHOTOVOLTAIC MODULES

SYSTEM SIZE: 4.16 kW DC STC
 ARRAY AREA: ROOF#1 - 108.84 SQ FT
 ARRAY AREA: ROOF#2 - 126.98 SQ FT

AUTHORITIES HAVING JURISDICTION

BUILDING : HARNETT COUNTY
 ZONING : HARNETT COUNTY
 UTILITY : DUKE ENERGY CAROLINAS AND DUKE ENERGY PROGRESS

EQUIPMENT SUMMARY

13 HANWHA QCELL Q.PEAK DUO-G5 320 (320W) MODULES
 02 GENERAC PV LINK S2502 POWER OPTIMIZERS
 01 GENERAC PWRCELL X7602 7600W INVERTER

APPLICABLE CODES & STANDARDS

NCBC 2018
 NEC 2017

DESIGN SPECIFICATIONS

OCCUPANCY : II
 CONSTRUCTION : SINGLE-FAMILY
 ZONING : RESIDENTIAL
 GROUND SNOW LOAD : SEE STRUCTURAL LETTER
 WIND EXPOSURE : SEE STRUCTURAL LETTER
 WIND SPEED : SEE STRUCTURAL LETTER

PROJECT SITE



2

HOUSE PHOTO

PV-1

SCALE: NTS



3

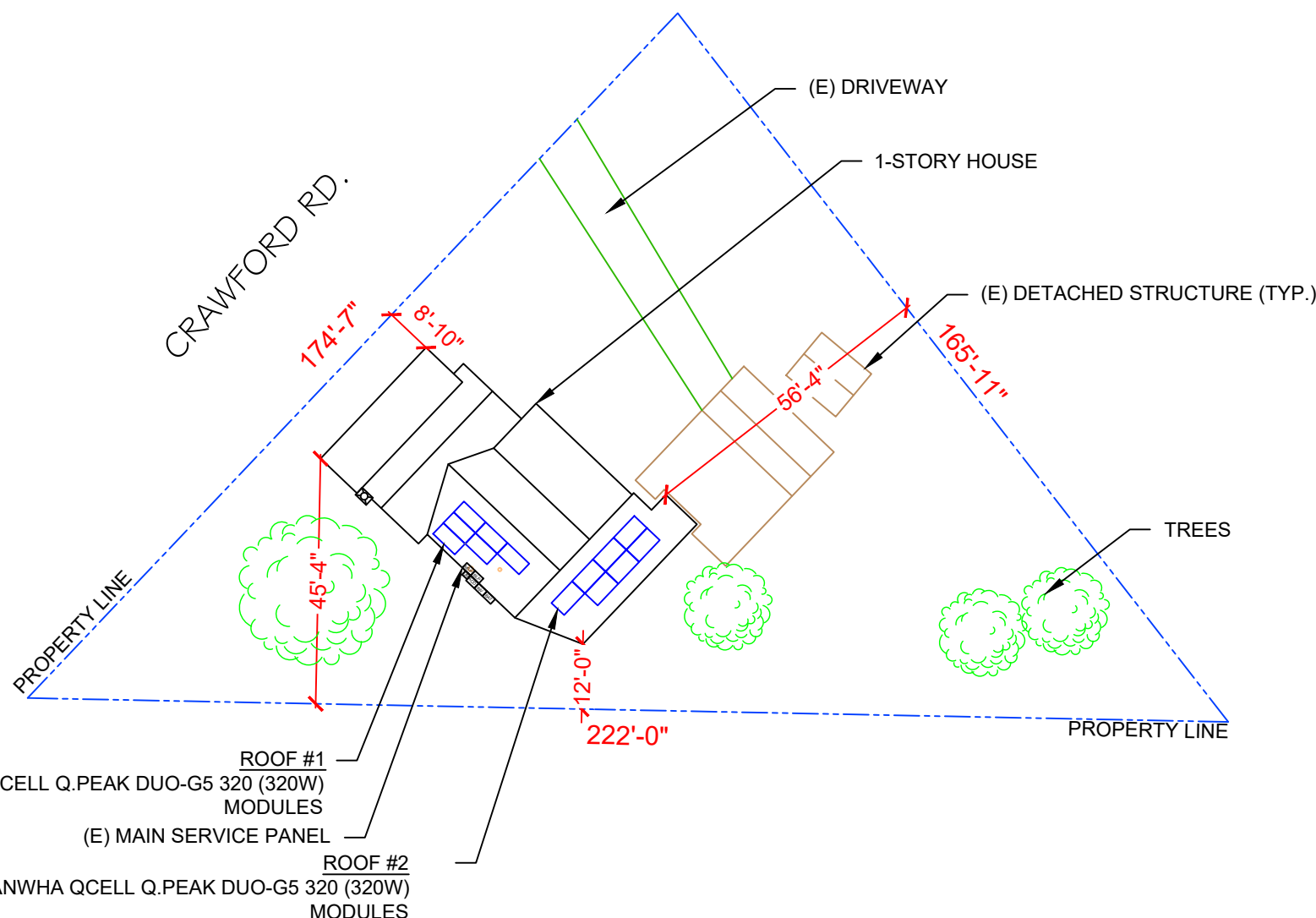
VICINITY MAP

PV-1

SCALE: NTS

SHEET INDEX

PV-1 PLOT PLAN & VICINITY MAP
 PV-2 ROOF PLAN & MODULES
 PV-2A STRING LAYOUT
 PV-3 ATTACHMENT DETAIL
 PV-4 ELECTRICAL LINE DIAGRAM
 PV-5 WIRING CALCULATIONS
 PV-6 to 12B EQUIPMENT SPECIFICATIONS

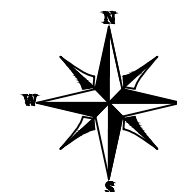


1

PLOT PLAN & VICINITY MAP

PV-1

SCALE: 1"=30'-0"



POWERHOME
 POWER HOME SOLAR, LLC
 "POWER YOUR FUTURE"
 919 N. MAIN ST.
 MOORESVILLE, NC 28115
 Phone: 704-800-6591 (OFFICE)
 Email: info@powerhome.com
 Web: www.powerhome.com

REVISIONS

DESCRIPTION	DATE	REV

Signature with Seal

DATE: 1/21/2021

PROJECT NAME & ADDRESS

**OLGA OPPERMANN
 RESIDENCE**
 235 CRAWFORD RD.,
 COATS, NC 27521

SHEET NAME

**PLOT PLAN &
 VICINITY MAP**

SHEET SIZE

**ANSI B
 11" X 17"**

SHEET NUMBER

PV-1

MODULE TYPE, DIMENSIONS & WEIGHT

NUMBER OF MODULES = 13 MODULES
 MODULE TYPE = HANWHA QCELL Q.PEAK DUO-G5 320 (320W) MODULES
 MODULE WEIGHT = 41.20 LBS / 18.7 KG.
 MODULE DIMENSIONS = 66.3"x 39.4" = 18.14 SF
 UNIT WEIGHT OF ARRAY = 2.27 PSF

ROOF DESCRIPTION				
ROOF TYPE			CORRUGATED METAL	
ROOF	ROOF TILT	AZIMUTH	FRAMING SIZE	FRAMING SPACING
#1	33.69°	223°	SEE STRUCTURAL LETTER	
#2	9.46°	133°		

ARRAY AREA & ROOF AREA CALC'S				
ROOF	# OF MODULES	ARRAY AREA (Sq. Ft.)	ROOF AREA (Sq. Ft.)	ROOF AREA COVERED BY ARRAY (%)
#1	06	108.84	307.80	35
#2	07	126.98	395.64	32

POWERHOME
 POWER HOME SOLAR, LLC
 "POWER YOUR FUTURE"
 919 N. MAIN ST.
 MOORESVILLE, NC 28115
 Phone: 704-800-6591 (OFFICE)
 Email: info@powerhome.com
 Web: www.powerhome.com

REVISIONS		
DESCRIPTION	DATE	REV

Signature with Seal

 DATE: 1/21/2021

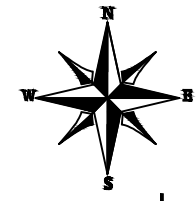
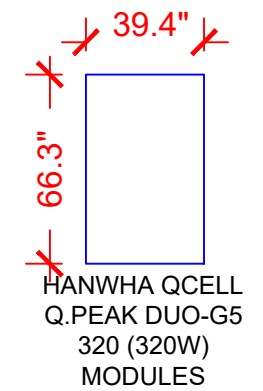
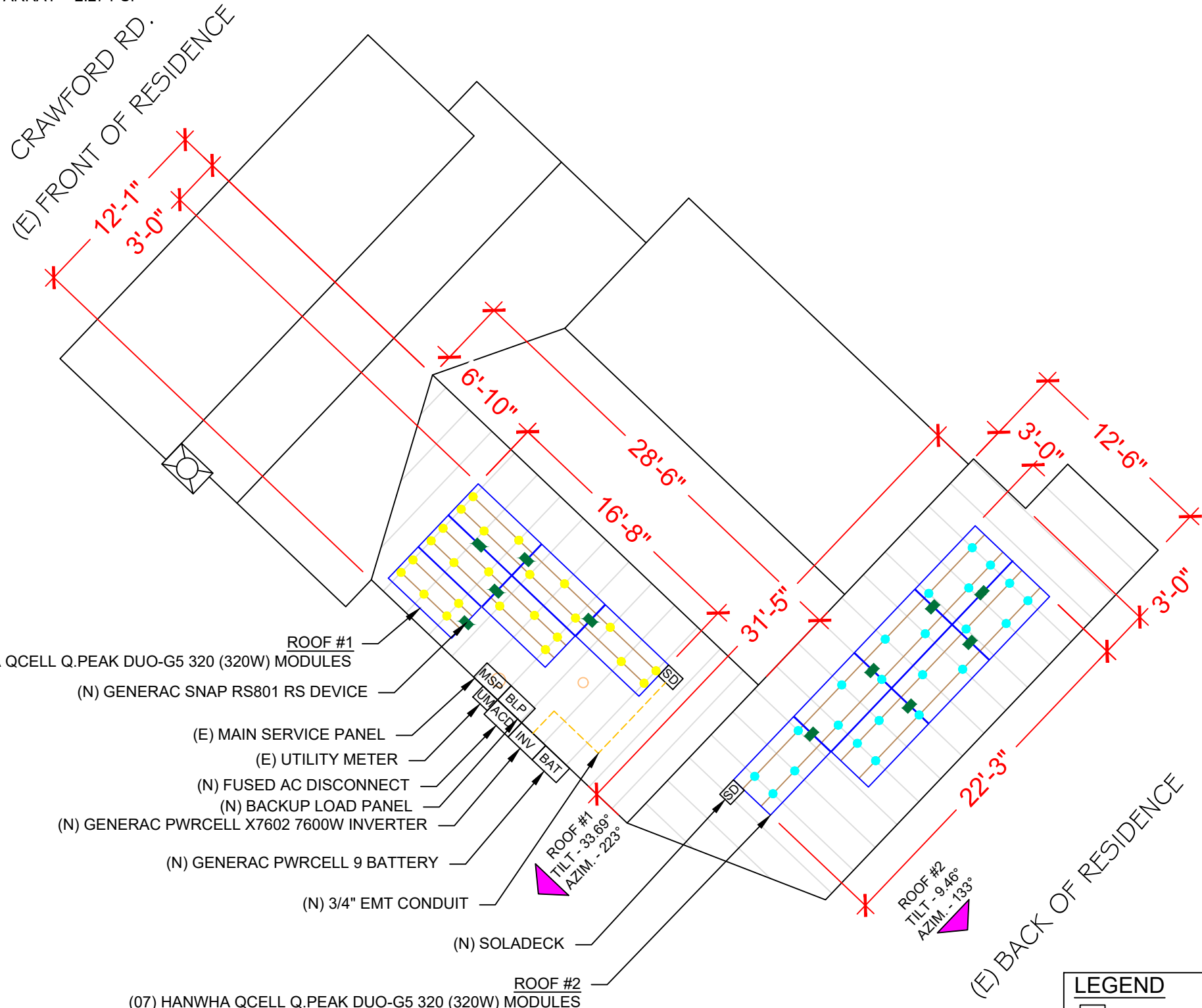
PROJECT NAME & ADDRESS

**OLGA OPPERMANN
 RESIDENCE**
 235 CRAWFORD RD.,
 COATS, NC 27521

SHEET NAME
ROOF PLAN & MODULES

SHEET SIZE
**ANSI B
 11" X 17"**

SHEET NUMBER
PV-2

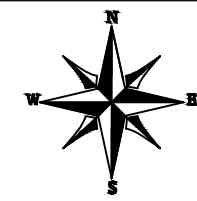
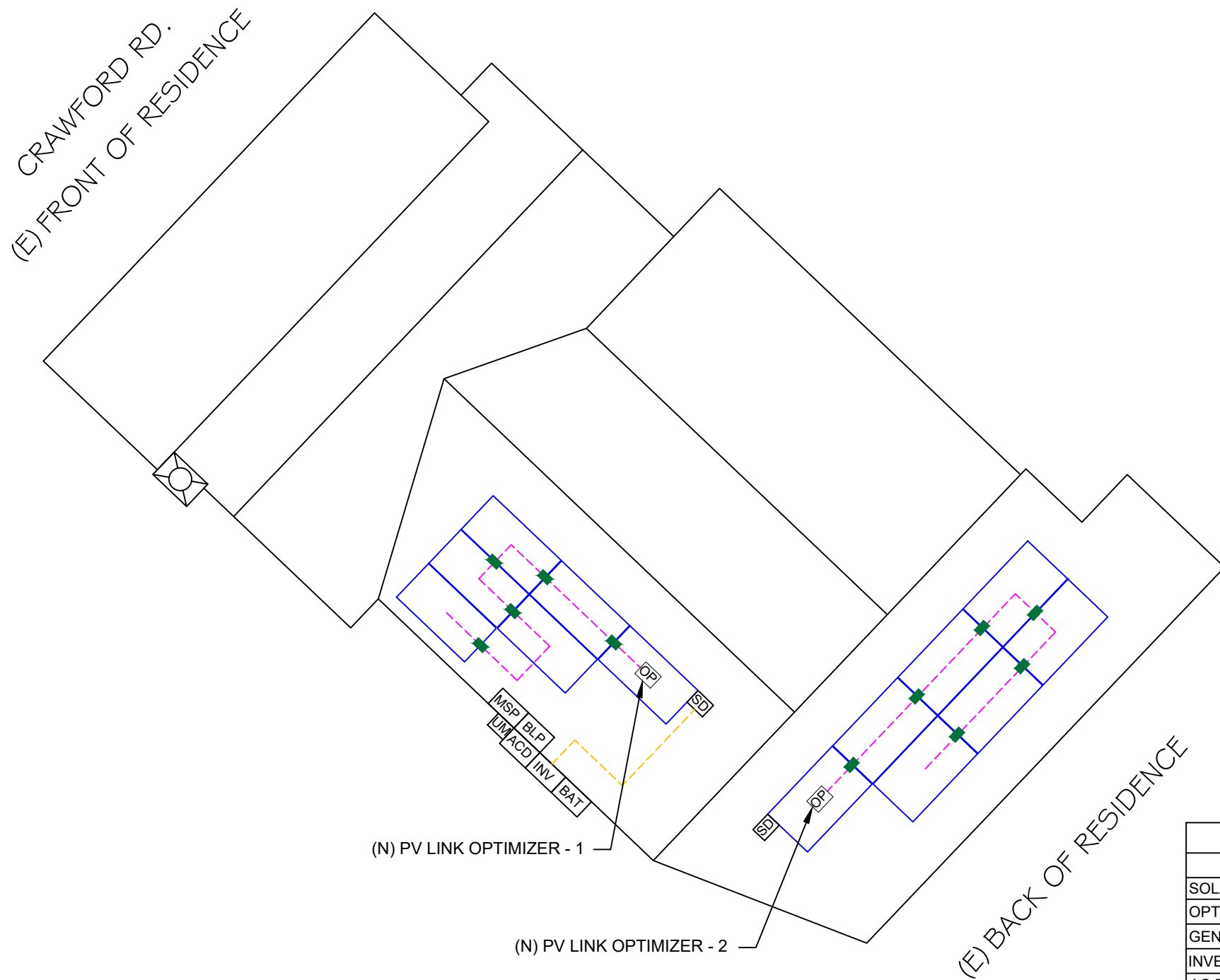


1 ROOF PLAN & MODULES

PV-2 SCALE: 1/8" = 1'-0"

ON- SITE CUSTOMER APPROVAL: _____

CRAWFORD RD.
(E) FRONT OF RESIDENCE



POWERHOME
 POWER HOME SOLAR, LLC
 "POWER YOUR FUTURE"
 919 N. MAIN ST.
 MOORESVILLE, NC 28115
 Phone: 704-800-6591 (OFFICE)
 Email: info@powerhome.com
 Web: www.powerhome.com

REVISIONS		
DESCRIPTION	DATE	REV

Signature with Seal

 DATE: 1/21/2021

PROJECT NAME & ADDRESS

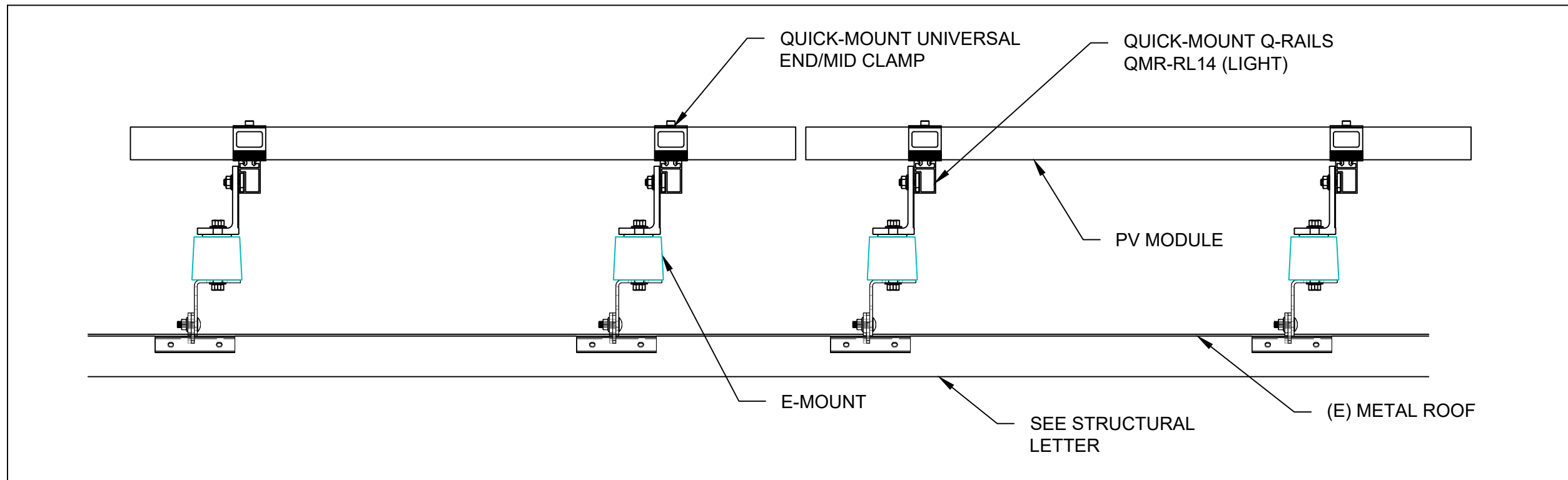
**OLGA OPPERMANN
 RESIDENCE**
 235 CRAWFORD RD.,
 COATS, NC 27521

SHEET NAME
**STRING
 LAYOUT**

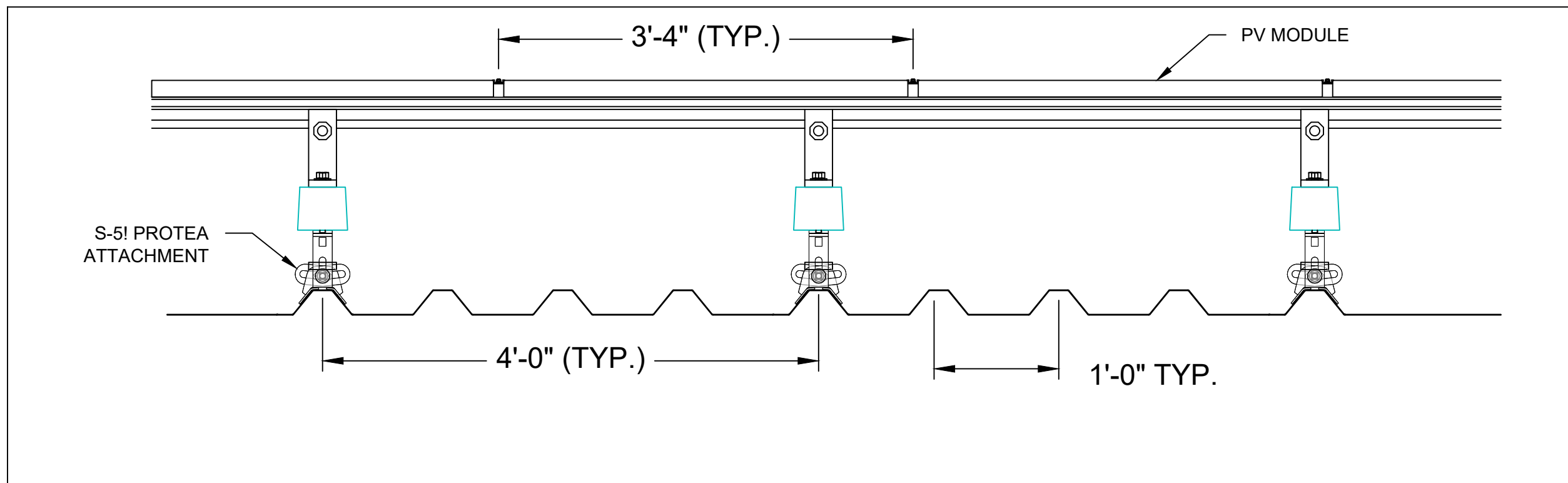
SHEET SIZE
**ANSI B
 11" X 17"**

SHEET NUMBER
PV-2A

BILL OF MATERIALS		
EQUIPMENT	QTY	DESCRIPTION
SOLAR PV MODULE	13	HANWHA QCELL Q.PEAK DUO-G5 320 (320W) MODULES
OPTIMIZER	02	GENERAC PV LINK S2502 POWER OPTIMIZERS
GENERAC SNAP RS	13	GENERAC SNAPRS MODEL RS801
INVERTER	01	GENERAC PWRCELL X7602 7600W INVERTER
AC DISCONNECT	1	60A FUSED, (2) 40A FUSES, 240V, NEMA 3R, UL LISTED
SOLADECK	2	SOLADECKS 600 V, NEMA 3R UL LISTED
BATTERY	1	GENERAC PWRCELL 9 BATTERY
BACKUP PANEL	1	125A, BACKUP PANEL, 240V
RAILS	13	QRAIL LIGHT 14 FT. BLACK
SPLICE KIT	6	QSPLICE INTERNAL LIGHT
WEEB BMC	4	WEEB BMC MILL
MODULE CLAMPS	16	UNIVERSAL MID CLAMP
GROUNDING LUG	5	WEEB LUG W/ T-BOLT
END CLAMPS	20	UNIVERSAL END CLAMPS
ATTACHMENT	26	L-MOUNT ATTACHMENT (QUICKMOUNT)
	26	E-MOUNT ATTACHMENT (QUICKMOUNT)
	52	S-5! PROTEA BRACKET
T-BOLT	54	T-BOLT W/ NUT M8 X 20MM
L-FOOT	54	SINGLE - SLOT L-FOOT (QMC-LF A12)



1 STRUCTURAL ATTACHMENT (SIDE VIEW)
 PV-3 SCALE: NTS



2 ATTACHMENT DETAIL (enlarged view)
 PV-3 SCALE: NTS

POWERHOME
 POWER HOME SOLAR, LLC
 "POWER YOUR FUTURE"
 919 N. MAIN ST.
 MOORESVILLE, NC 28115
 Phone: 704-800-6591 (OFFICE)
 Email: info@powerhome.com
 Web: www.powerhome.com

REVISIONS		
DESCRIPTION	DATE	REV

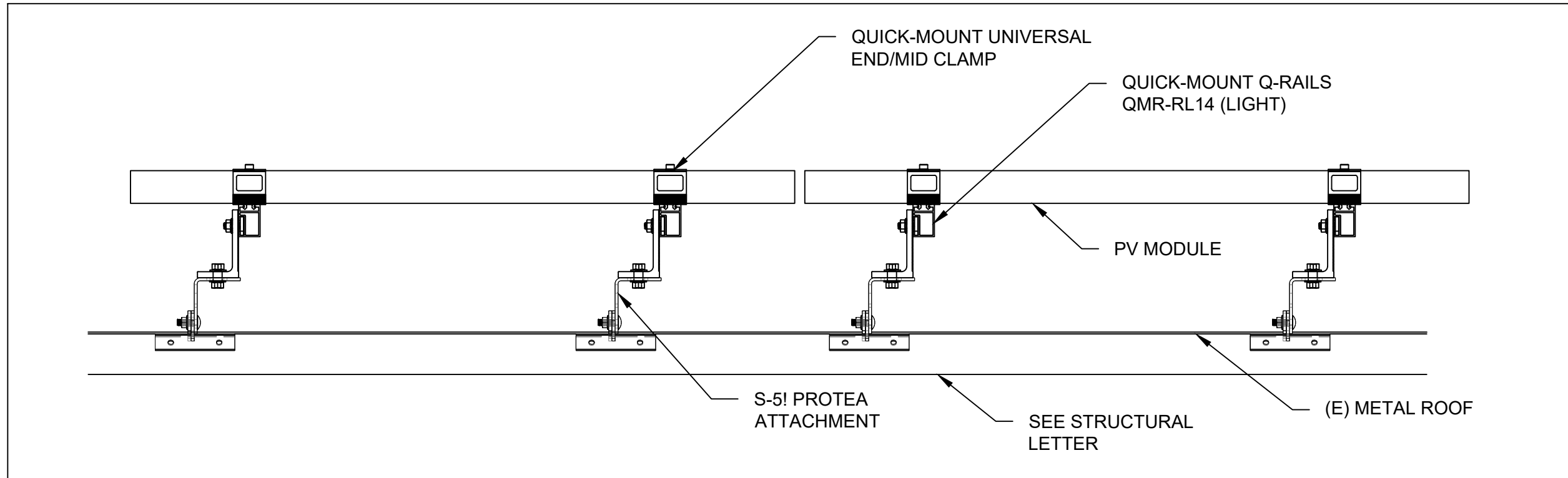
Signature with Seal
 DATE: 1/21/2021

PROJECT NAME & ADDRESS
**OLGA OPPERMANN
 RESIDENCE**
 235 CRAWFORD RD.,
 COATS, NC 27521

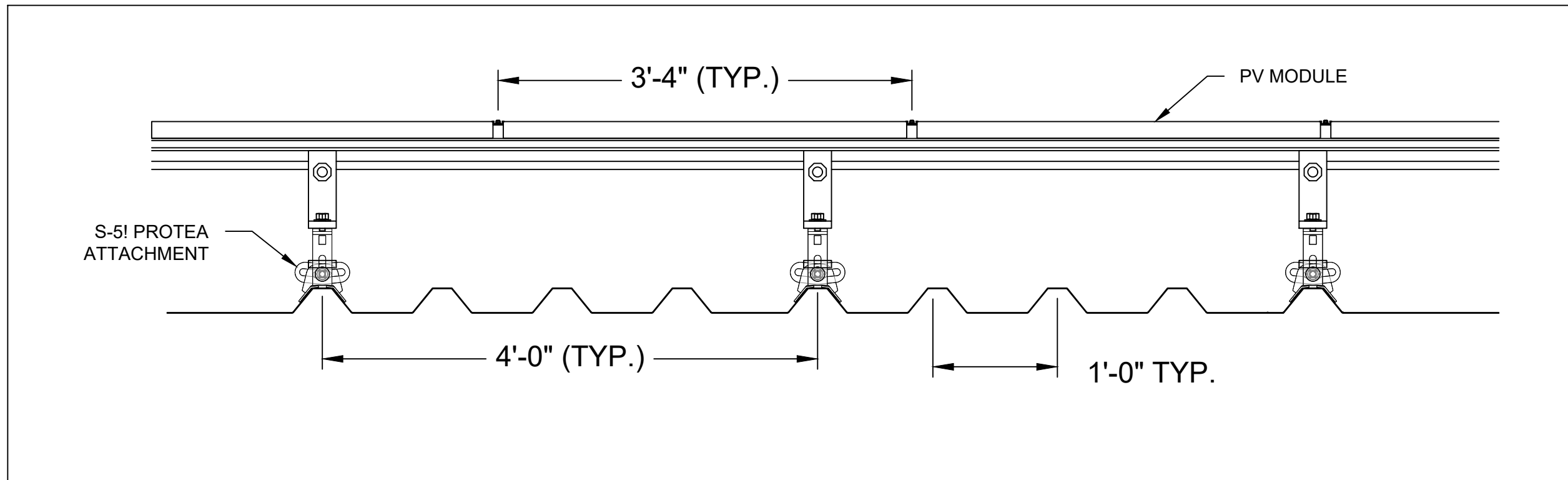
SHEET NAME
**ATTACHMENT
 DETAIL**

SHEET SIZE
**ANSI B
 11" X 17"**

SHEET NUMBER
PV-3



1 STRUCTURAL ATTACHMENT (SIDE VIEW)
 PV-3A SCALE: NTS



2 ATTACHMENT DETAIL (enlarged view)
 PV-3A SCALE: NTS

REVISIONS		
DESCRIPTION	DATE	REV

Signature with Seal
 DATE: 1/21/2021

PROJECT NAME & ADDRESS
**OLGA OPPERMANN
 RESIDENCE**
 235 CRAWFORD RD.,
 COATS, NC 27521

SHEET NAME
**ATTACHMENT
 DETAIL**

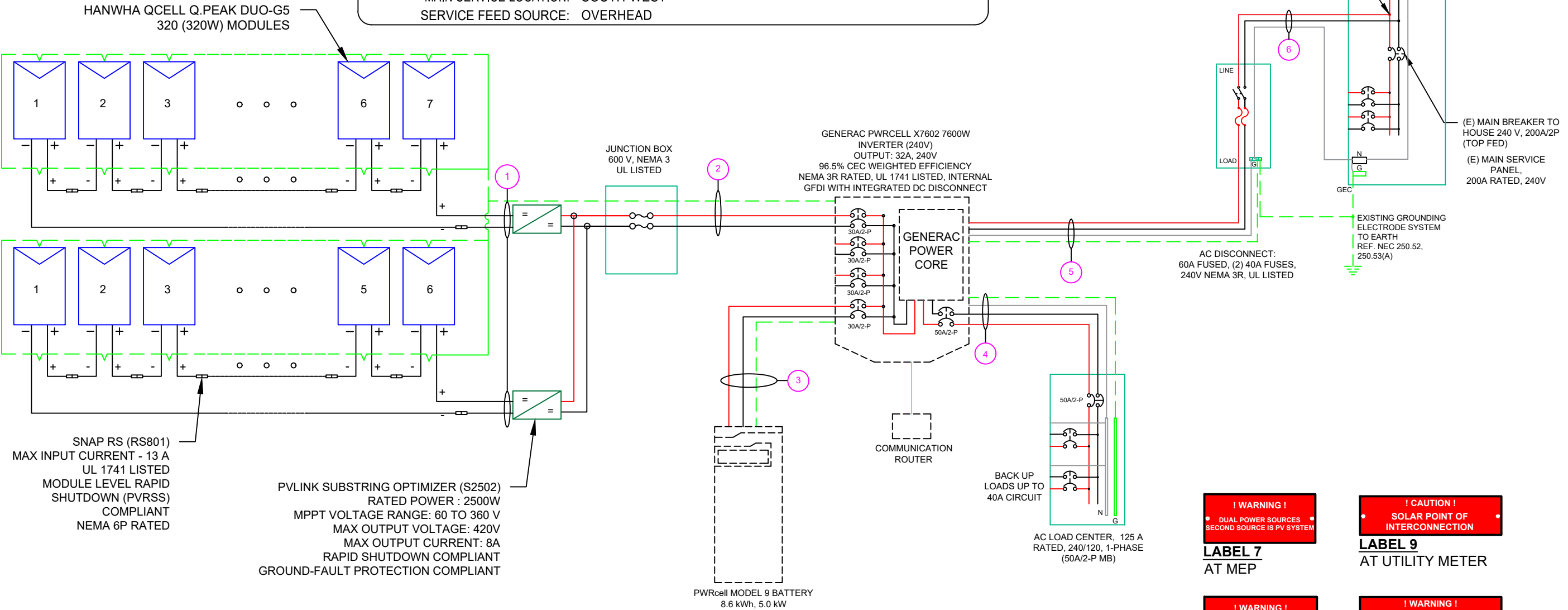
SHEET SIZE
**ANSI B
 11" X 17"**

SHEET NUMBER
PV-3A

(13) HANWHA QCELL Q.PEAK DUO-G5 320 (320W) MODULES
 (1) PV LINK OF 7 MODULES &
 (1) PV LINK OF 6 MODULES CONNECTED IN SERIES

SERVICE INFO

UTILITY PROVIDER: DUKE ENERGY CAROLINAS AND DUKE ENERGY PROGRESS
 MAIN SERVICE VOLTAGE: 240V
 MAIN PANEL BRAND: N/A
 MAIN SERVICE PANEL: 200A
 MAIN CIRCUIT BREAKER RATING: 200A
 MAIN SERVICE LOCATION: SOUTH-WEST
 SERVICE FEED SOURCE: OVERHEAD



SNAP RS (RS801)
 MAX INPUT CURRENT - 13 A
 UL 1741 LISTED
 MODULE LEVEL RAPID
 SHUTDOWN (PVRSS)
 COMPLIANT
 NEMA 6P RATED

PVLINK SUBSTRING OPTIMIZER (S2502)
 RATED POWER : 2500W
 MPPT VOLTAGE RANGE: 60 TO 360 V
 MAX OUTPUT VOLTAGE: 420V
 MAX OUTPUT CURRENT: 8A
 RAPID SHUTDOWN COMPLIANT
 GROUND-FAULT PROTECTION COMPLIANT

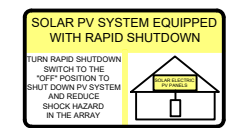
PWRcell MODEL 9 BATTERY
 8.6 kWh, 5.0 kW

WIRE LEGEND

	PV ARRAY +VE CONDUCTOR AND L1
	PV ARRAY -VE CONDUCTOR AND L2
	NEUTRAL CONDUCTOR
	EGC AND GEC
	SINGLE TWISTED PAIR, CAT 5 WIRE

! WARNING !
 PHOTOVOLTAIC
 POWER SOURCE

LABEL 1
 ON ALL CONDUITS
 SPACED AT MAX 10FT



LABEL 2
 AT INVERTER

! CAUTION !
 SOLAR ELECTRIC
 SYSTEM CONNECTED
 AND ENERGIZED

LABEL 3
 AT INVERTER

! PHOTOVOLTAIC DC DISCONNECT !

LABEL 4
 AT EACH DC
 DISCONNECT

! WARNING !
 ELECTRIC SHOCK HAZARD
 DO NOT TOUCH TERMINALS.
 TERMINALS ON BOTH LINE AND LOAD SIDES
 MAY BE ENERGIZED IN THE OPEN POSITION.

LABEL 5
 AT EACH AC
 DISCONNECT

! PHOTOVOLTAIC AC DISCONNECT !

LABEL 6
 AT EACH AC
 DISCONNECT

! WARNING !
 DUAL POWER SOURCES
 SECOND SOURCE IS PV SYSTEM

LABEL 7
 AT MEP

! CAUTION !
 SOLAR POINT OF
 INTERCONNECTION

LABEL 9
 AT UTILITY METER

! WARNING !
 SOLAR SYSTEM
 CONNECTED
 AND ENERGIZED

LABEL 8
 AT MEP

! WARNING !
 THE SERVICE METER IS ALSO SERVED
 BY A PHOTOVOLTAIC SYSTEM

LABEL 10
 AT UTILITY METER

QTY	CONDUCTOR INFORMATION	CONDUIT TYPE	CONDUIT SIZE
(4)	#10AWG - PV WIRE/USE-2	N/A	N/A
(1)	#6AWG - BARE COPPER IN FREE AIR		
(2)	#10AWG - THWN-2	EMT OR FLEX IN ATTIC	3/4"
(1)	#6AWG - THWN-2 GND		
(2)	#10AWG - THWN-2	EMT OR FLEX	3/4"
(1)	#10AWG - THWN-2 GND		
(3)	#6AWG - THWN-2	EMT OR FLEX	3/4"
(1)	#6AWG - THWN-2 GND		
(3)	#6AWG - THWN-2	EMT OR FLEX	3/4"
(1)	#6AWG - THWN-2 GND		
(3)	#6AWG - THWN-2	EMT OR FLEX	3/4"

POWERHOME

POWER HOME SOLAR, LLC
 "POWER YOUR FUTURE"
 919 N. MAIN ST.
 MOORESVILLE, NC 28115
 Phone: 704-800-6591 (OFFICE)
 Email: info@powerhome.com
 Web: www.powerhome.com

REVISIONS

DESCRIPTION	DATE	REV
(E) MAIN BREAKER TO HOUSE 240 V, 200A/2P (TOP FED)		
(E) MAIN SERVICE PANEL, 200A RATED, 240V		

Signature with Seal

DATE: 1/21/2021

PROJECT NAME & ADDRESS

**OLGA OPPERMANN
 RESIDENCE**
 235 CRAWFORD RD.,
 COATS, NC 27521

SHEET NAME
**ELECTRICAL LINE
 DIAGRAM**

SHEET SIZE
**ANSI B
 11" X 17"**

SHEET NUMBER
PV-4

SOLAR MODULE SPECIFICATIONS	
MANUFACTURER / MODEL #	HANWHA QCELL Q.PEAK DUO-G5 320 (320W) MODULES
VMP	33.32V
IMP	9.60A
VOC	40.13V
ISC	10.09A
TEMP. COEFF. VOC	-0.28%/°C
PTC RATING	297W
MODULE DIMENSION	66.3"L x 39.4"W x 1.26"D (In Inch)

INVERTER SPECIFICATIONS	
MANUFACTURER / MODEL #	GENERAC PWRCELL X7602
AC POWER OUTPUT (LOADS/GRID)	7600VA
AC POWER OUTPUT (BACKUP)	8000VA
NOMINAL OUTPUT VOLTAGE	240 VAC
MAX OUTPUT CURRENT @240V (LOADS/GRID)	32A
MAX OUTPUT CURRENT @240V (BACKUP)	50A
NOMINAL DC INPUT VOLTAGE	380Vdc
MAX DC INPUT VOLTAGE	420Vdc
CEC WEIGHTED EFFICIENCY	96.5%
MAX DC POWER (PV)	10000W
MAX INPUT CURRENT (PV)	20Adc
CONT. PEAK POWER (BATTERY)	8000W

SERIES SUB STRING OPTIMIZER SPECIFICATIONS	
MANUFACTURER / MODEL #	PV LINK S2502
RATED POWER	2500W
MPPT VOLTAGE RANGE	60-360 Vmp
MAXIMUM INPUT VOLTAGE	420Voc
MAXIMUM OUTPUT	420 Adc
NOMINAL OUTPUT	380 Vdc
MAXIMUM OUTPUT CURRENT	8 A
MAXIMUM SHORT CIRCUIT CURRENT	18 A

BATTERY SPECIFICATIONS	
MANUFACTURER / MODEL #	GENERAC PWRCELL 9 BATTERY
USABLE ENERGY	8.6kWH
RATED CONTINUOUS POWER	3.4kW
POWER: 60 MINUTES	4.2kW
POWER: 2 MINUTES	5.0kW
REBUS VOLTAGE: INPUT/ OUTPUT	360-420Vdc
MODULE VOLTAGE	46.8Vdc
ROUND-TRIP EFFICIENCY	96.5%

ELECTRICAL NOTES

- 1.) ALL EQUIPMENT TO BE LISTED BY UL OR OTHER NRTL, AND LABELED FOR ITS APPLICATION.
- 2.) ALL CONDUCTORS SHALL BE COPPER, RATED FOR 600 V AND 90 DEGREE C WET ENVIRONMENT.
- 3.) WIRING, CONDUIT, AND RACEWAYS MOUNTED ON ROOFTOPS SHALL BE ROUTED DIRECTLY TO, AND LOCATED AS CLOSE AS POSSIBLE TO THE NEAREST RIDGE, HIP, OR VALLEY.
- 4.) WORKING CLEARANCES AROUND ALL NEW AND EXISTING ELECTRICAL EQUIPMENT SHALL COMPLY WITH NEC 110.26.
- 5.) DRAWINGS INDICATE THE GENERAL ARRANGEMENT OF SYSTEMS. CONTRACTOR SHALL FURNISH ALL NECESSARY OUTLETS, SUPPORTS, FITTINGS AND ACCESSORIES TO FULFILL APPLICABLE CODES AND STANDARDS.
- 6.) WHERE SIZES OF JUNCTION BOXES, RACEWAYS, AND CONDUITS ARE NOT SPECIFIED, THE CONTRACTOR SHALL SIZE THEM ACCORDINGLY.
- 7.) ALL WIRE TERMINATIONS SHALL BE APPROPRIATELY LABELED AND READILY VISIBLE.
- 8.) MODULE GROUNDING CLIPS TO BE INSTALLED BETWEEN MODULE FRAME AND MODULE SUPPORT RAIL, PER THE GROUNDING CLIP MANUFACTURER'S INSTRUCTION.
- 9.) MODULE SUPPORT RAIL TO BE BONDED TO CONTINUOUS COPPER G.E.C. VIA WEEB LUG OR ILSCO GBL-4DBT LAY-IN LUG.
- 10.) THE POLARITY OF THE GROUNDED CONDUCTORS IS NEGATIVE

AMBIENT TEMPERATURE SPECS	
RECORD LOW TEMP	-19°
AMBIENT TEMP (HIGH TEMP 2%)	34°
CONDUIT HEIGHT	0.5"
ROOF TOP TEMP	56°

**DC CONDUCTOR AMPACITY CALCULATIONS:
ARRAY TO JUNCTION BOX:**

EXPECTED WIRE TEMP (In Celsius)	56°
TEMP. CORRECTION PER NEC TABLE 310.15 (B)(2)(a)	0.71
NO. OF CURRENT CARRYING CONDUCTORS	4
CONDUIT FILL CORRECTION PER NEC TABLE 310.15(B)(3)(a)	0.8
CIRCUIT CONDUCTOR SIZE	10 AWG
CIRCUIT CONDUCTOR AMPACITY PER NEC TABLE 310.15(B)(16)	40A

REQUIRED CIRCUIT CONDUCTOR AMPACITY PER NEC 690.8(A&B)	10A
1.25 X I _{max}	
DERATED AMPACITY OF CIRCUIT CONDUCTOR	
TEMP. CORRECTION PER TABLE 310.15 (B)(2)(a) X CONDUIT FILL CORRECTION PER NEC 310.15(B)(3)(a) X CIRCUIT CONDUCTOR AMPACITY 310.15 (B)(16)	22.72A
Result should be greater than (10A) otherwise less the entry for circuit conductor size and ampacity	

FROM JUNCTION BOX TO INVERTER:

EXPECTED WIRE TEMP (In Celsius)	56°
TEMP. CORRECTION PER NEC TABLE 310.15 (B)(2)(a)	0.71
NO. OF CURRENT CARRYING CONDUCTORS	2
CONDUIT FILL CORRECTION PER NEC TABLE 310.15(B)(3)(a)	1
CIRCUIT CONDUCTOR SIZE	10 AWG
CIRCUIT CONDUCTOR AMPACITY PER NEC TABLE 310.15(B)(16)	40A

REQUIRED CIRCUIT CONDUCTOR AMPACITY PER NEC 690.8(A&B)	20A
1.25 X I _{max} X # of PV LINKS	
DERATED AMPACITY OF CIRCUIT CONDUCTOR	
TEMP. CORRECTION PER TABLE 310.15 (B)(2)(a) X CONDUIT FILL CORRECTION PER NEC 310.15(B)(3)(a) X CIRCUIT CONDUCTOR AMPACITY 310.15 (B)(16)	28.4A
Result should be greater than (20A) otherwise less the entry for circuit conductor size and ampacity	

FROM BATTERY TO INVERTER:

EXPECTED WIRE TEMP (In Celsius)	34°
TEMP. CORRECTION PER NEC TABLE 310.15 (B)(2)(a)	0.96
NO. OF CURRENT CARRYING CONDUCTORS	2
CONDUIT FILL CORRECTION PER NEC TABLE 310.15(B)(3)(a)	1
CIRCUIT CONDUCTOR SIZE	10 AWG
CIRCUIT CONDUCTOR AMPACITY PER NEC TABLE 310.15(B)(16)	40A

REQUIRED CIRCUIT CONDUCTOR AMPACITY PER NEC 690.8(A&B)	26.25A
1.25 X I _{max}	
DERATED AMPACITY OF CIRCUIT CONDUCTOR	
TEMP. CORRECTION PER TABLE 310.15 (B)(2)(a) X CONDUIT FILL CORRECTION PER NEC 310.15(B)(3)(a) X CIRCUIT CONDUCTOR AMPACITY 310.15 (B)(16)	38.40A
Result should be greater than (26.25A) otherwise less the entry for circuit conductor size and ampacity	

**AC CONDUCTOR AMPACITY CALCULATIONS:
FROM INVERTER TO BACK-UP PANEL:**

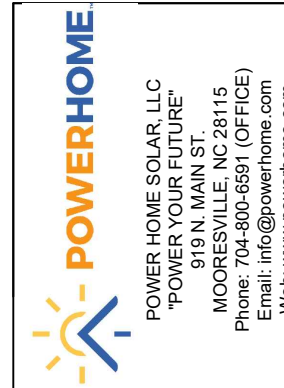
No. OF INVERTER	1
EXPECTED WIRE TEMP (In Celsius)	34°
TEMP. CORRECTION PER NEC TABLE 310.15(B)(2)(a)	0.96
NO. OF CURRENT CARRYING CONDUCTORS	3
CONDUIT FILL CORRECTION PER NEC TABLE 310.15(B)(3)(a)	1
CIRCUIT CONDUCTOR SIZE	6 AWG
CIRCUIT CONDUCTOR AMPACITY PER NEC TABLE 310.15(B)(16)	75A

REQUIRED CIRCUIT CONDUCTOR AMPACITY PER NEC 690.8(A&B)	42.5A
1.25 X INVERTER OUTPUT CURRENT (BACKUP POWER)	
DERATED AMPACITY OF CIRCUIT CONDUCTOR	
TEMP. CORRECTION PER TABLE 310.15 (B)(2)(a) X CONDUIT FILL CORRECTION PER NEC 310.15(B)(3)(a) X CIRCUIT CONDUCTOR AMPACITY 310.15 (B)(16)	72A
Result should be greater than (42.5A) otherwise less the entry for circuit conductor size and ampacity	

**AC CONDUCTOR AMPACITY CALCULATIONS:
FROM INVERTER TO MEP:**

No. OF INVERTER	1
EXPECTED WIRE TEMP (In Celsius)	34°
TEMP. CORRECTION PER NEC TABLE 310.15(B)(2)(a)	0.96
NO. OF CURRENT CARRYING CONDUCTORS	3
CONDUIT FILL CORRECTION PER NEC TABLE 310.15(B)(3)(a)	1
CIRCUIT CONDUCTOR SIZE	6 AWG
CIRCUIT CONDUCTOR AMPACITY PER NEC TABLE 310.15(B)(16)	75A

REQUIRED CIRCUIT CONDUCTOR AMPACITY PER NEC 690.8(A&B)	40A
1.25 X MAX INVERTER OUTPUT CURRENT (LOADS/GRID)	
DERATED AMPACITY OF CIRCUIT CONDUCTOR	
TEMP. CORRECTION PER TABLE 310.15 (B)(2)(a) X CONDUIT FILL CORRECTION PER NEC 310.15(B)(3)(a) X CIRCUIT CONDUCTOR AMPACITY 310.15 (B)(16)	72A
Result should be greater than (40A) otherwise less the entry for circuit conductor size and ampacity	



REVISIONS		
DESCRIPTION	DATE	REV

Signature with Seal

DATE: 1/21/2021

PROJECT NAME & ADDRESS

**OLGA OPPERMANN
RESIDENCE**
235 CRAWFORD RD.,
COATS, NC 27521

SHEET NAME
**WIRING
CALCULATIONS**

SHEET SIZE
**ANSI B
11" X 17"**

SHEET NUMBER
PV-5



powered by
Q.ANTUM DUO

Q.PEAK DUO-G5 315-330

Q.ANTUM SOLAR MODULE

The new Q.PEAK DUO-G5 solar module from Q CELLS impresses thanks to innovative Q.ANTUM DUO Technology, which enables particularly high performance on a small surface. Q.ANTUM's world-record-holding cell concept has now been combined with state-of-the-art circuitry half cells and a six-busbar design, thus achieving outstanding performance under real conditions - both with low-intensity solar radiation as well as on hot, clear summer days.

- Q.ANTUM TECHNOLOGY: LOW LEVELIZED COST OF ELECTRICITY**
Higher yield per surface area, lower BOS costs, higher power classes, and an efficiency rate of up to 19.9%.
- INNOVATIVE ALL-WEATHER TECHNOLOGY**
Optimal yields, whatever the weather with excellent low-light and temperature behavior.
- ENDURING HIGH PERFORMANCE**
Long-term yield security with Anti LID and Anti PID Technology¹, Hot-Spot Protect and Traceable Quality Tra.Q™.
- EXTREME WEATHER RATING**
High-tech aluminum alloy frame, certified for high snow (5400Pa) and wind loads (4000 Pa) regarding IEC.
- A RELIABLE INVESTMENT**
Inclusive 12-year product warranty and 25-year linear performance guarantee².
- STATE OF THE ART MODULE TECHNOLOGY**
Q.ANTUM DUO combines cutting edge cell separation and innovative wiring with Q.ANTUM Technology.

THE IDEAL SOLUTION FOR:

- Rooftop arrays on residential buildings
- Rooftop arrays on commercial/industrial buildings

Engineered in Germany

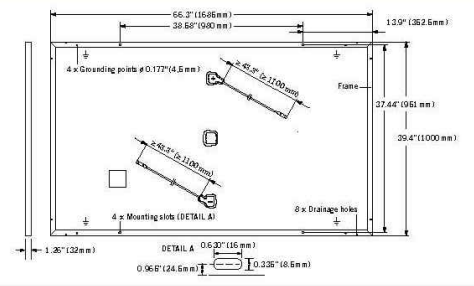


¹ APT test conditions according to IEC/TS 62804-1:2015, method B (-1500V, 168h)
² See data sheet on rear for further information.



MECHANICAL SPECIFICATION

Format	66.3 in x 39.4 in x 1.26 in (including frame) (1685 mm x 1000 mm x 32 mm)
Weight	41.2 lbs (18.7 kg)
Front Cover	0.13 in (3.2 mm) thermally pre-stressed glass with anti-reflection technology
Back Cover	Composite film
Frame	Black anodized aluminum
Cell	6 x 20 monocrystalline Q.ANTUM solar half-cells
Junction box	2.76-3.35 in x 1.97-2.76 in x 0.51-0.83 in (70-85 mm x 50-70 mm x 13-21 mm), decentralized, IP67
Cable	4 mm ² Solar cable; (+) ≥ 43.3 in (1100 mm), (-) ≥ 43.3 in (1100 mm)
Connector	Multi-Contact MC4, IP68

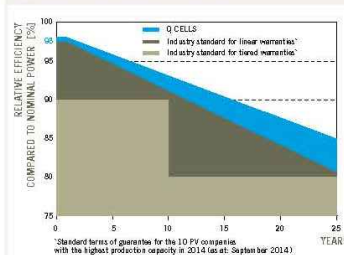


ELECTRICAL CHARACTERISTICS

POWER CLASS		315	320	325	330	
MINIMUM PERFORMANCE AT STANDARD TEST CONDITIONS, STC ¹ (POWER TOLERANCE +5W / -0W)						
Minimum	Power at MPP¹	P_{MPP} [W]	315	320	325	330
	Short Circuit Current¹	I_{SC} [A]	10.04	10.09	10.14	10.20
	Open Circuit Voltage¹	V_{OC} [V]	39.87	40.13	40.40	40.66
	Current at MPP¹	I_{MPP} [A]	9.55	9.60	9.66	9.71
	Voltage at MPP	V_{MPP} [V]	32.98	33.32	33.65	33.98
	Efficiency¹	η [%]	≥ 18.7	≥ 19.0	≥ 19.3	≥ 19.6
	MINIMUM PERFORMANCE AT NORMAL OPERATING CONDITIONS, NMOT ²					
Minimum	Power at MPP	P_{MPP} [W]	235.3	239.0	242.8	246.5
	Short Circuit Current	I_{SC} [A]	8.09	8.13	8.17	8.22
	Open Circuit Voltage	V_{OC} [V]	37.52	37.77	38.02	38.27
	Current at MPP	I_{MPP} [A]	7.52	7.56	7.60	7.64
	Voltage at MPP	V_{MPP} [V]	31.30	31.62	31.94	32.25

¹ Measurement tolerances P_{MPP} ± 3%; I_{SC}, V_{OC} ± 5% at STC: 1000 W/m², 25 ± 2°C, AM 1.5 G according to IEC 60904-3 · ² 800 W/m², NMOT, spectrum AM 1.5 G

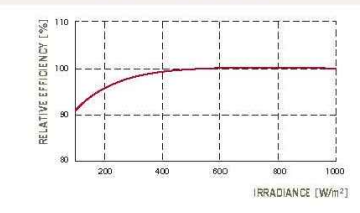
Q CELLS PERFORMANCE WARRANTY



At least 98% of nominal power during first year. Thereafter max. 0.54% degradation per year. At least 93.1% of nominal power up to 10 years. At least 85% of nominal power up to 25 years.

All data within measurement tolerances. Full warranties in accordance with the warranty terms of the Q CELLS sales organization of your respective country.

PERFORMANCE AT LOW IRRADIANCE



Typical module performance under low irradiance conditions in comparison to STC conditions (25°C, 1000W/m²).

TEMPERATURE COEFFICIENTS

Temperature Coefficient of I_{SC}	α [%/K]	+0.04	Temperature Coefficient of V_{OC}	β [%/K]	-0.28
Temperature Coefficient of P_{MPP}	γ [%/K]	-0.37	Normal Module Operating Temperature	NMOT [°F]	109 ± 5.4 (43 ± 3 °C)

PROPERTIES FOR SYSTEM DESIGN

Maximum System Voltage V_{sys}	[V]	1000 (IEC) / 1000 (UL)	Safety Class	II
Maximum Series Fuse Rating	[A DC]	20	Fire Rating	C (IEC) / TYPE 1 (UL)
Max. Design Load, push²	[lbs/ft ²]	75 (3600 Pa) / 55 (2667 Pa)	Permitted module temperature on continuous duty	-40°F up to +185°F (-40°C up to +85°C)
Max. Test Load, Push / Pull²	[lbs/ft ²]	113 (5400 Pa) / 84 (4000 Pa)	² see installation manual	

QUALIFICATIONS AND CERTIFICATES

UL 1703; VDE Quality Tested; CE-compliant; IEC 61215:2016; IEC 61730:2011, application class A

PACKAGING INFORMATION

Number of Modules per Pallet	32
Number of Pallets per 53' Trailer	30
Number of Pallets per 40' High Cube Container	26
Pallet Dimensions (L x W x H)	69.3 in x 45.3 in x 46.9 in (1760 mm x 1150 mm x 1190 mm)
Pallet Weight	1415 lbs (642 kg)

NOTE: Installation instructions must be followed. See the installation and operating manual or contact our technical service department for further information on approved installation and use of this product.

Hanwha Q CELLS America Inc.
300 Spectrum Center Drive, Suite 1250, Irvine, CA 92618, USA | TEL +1 949 748 69 96 | EMAIL inquiry@us.q-cells.com | WEB www.q-cells.us

Specifications subject to technical changes © Hanwha Q CELLS Q.PEAK DUO-G5_315-330_2018-03_Rev03_MJA

POWERHOME
POWER HOME SOLAR, LLC
"POWER YOUR FUTURE"
919 N. MAIN ST.
MOORESVILLE, NC 28115
Phone: 704-800-6591 (OFFICE)
Email: info@powerhome.com
Web: www.powerhome.com

REVISIONS		
DESCRIPTION	DATE	REV

Signature with Seal

DATE: 1/21/2021

PROJECT NAME & ADDRESS

**OLGA OPPERMANN
RESIDENCE**
235 CRAWFORD RD.,
COATS, NC 27521

SHEET NAME
**EQUIPMENT
SPECIFICATION**

SHEET SIZE
**ANSI B
11" X 17"**

SHEET NUMBER
PV-6

GENERAC

PWRCELL

7.6kW 1Ø PWRcell Inverter with CTs
Model #: X7602 (Ordering SKU: APKE00014)

11.4 kW 3Ø PWRcell Inverter with CTs
Model #: X11402 (Ordering SKU: APKE00013)



Solar + storage is simple with the Generac PWRcell™ Inverter. This bi-directional, REbus™-powered inverter offers a simple, efficient design for integrating smart batteries with solar. Ideal for self-supply, backup power, zero-export and energy cost management, the PWRcell Inverter is the industry's most feature-rich line of inverters, available in single-phase and three-phase models.

FEATURES & BENEFITS

- Single inverter for grid-tied solar with smart battery integration
- Simplified system design: No autotransformer or battery inverter needed
- User-selectable modes for backup power, self-supply, time-of-use, zero-import and export limiting
- Free system monitoring included via PWRview™ Web Portal and Mobile App

AC OUTPUT/GRID-TIE	MODEL X7602	MODEL X11402
MAX. CONT. GRID-TIED AC POWER @ 50°C (122°F):	7600 W	11400 W
AC OUTPUT VOLTAGE:	120/240, 1Ø VAC	120/208, 3Ø VAC
AC FREQUENCY:	60 Hz	60 Hz
MAXIMUM CONTINUOUS OUTPUT CURRENT:	32 A, RMS	32 A, RMS
GROUND-FAULT ISOLATION DETECTION:	Included	Included
CHARGE BATTERY FROM AC:	Yes	Yes
THD (CURRENT):	< 2%	< 2%
TYPICAL NIGHTTIME POWER CONSUMPTION:	< 7 W	< 7 W

DC INPUT	MODEL X7602	MODEL X11402
DC INPUT VOLTAGE RANGE:	360-420 VDC	360-420 VDC
NOMINAL DC BUS VOLTAGE:	380 VDC	380 VDC
DC DISTRIBUTION INPUT BREAKERS:	4 x 2P30 A	4 x 2P30 A
MAX INPUT CURRENT PER DC INPUT:	30 A	30 A
REVERSE-POLARITY PROTECTION:	Yes	Yes
TRANSFORMERLESS, UNGROUNDED:	Yes	Yes
TYPICAL NIGHTTIME POWER CONSUMPTION:	< 7 W	< 7 W
DC BUS EXPORT FUSES (+/-):	40 A	40 A
2-POLE DISCONNECTION:	Yes	Yes

AC OUTPUT/ISLANDED	MODEL X7602	MODEL X11402
MAX. CONT. AC POWER @ 40°C (104°F) W/ SINGLE 6 MODULE BATTERY CABINET ¹ :	9,000 W	9,000 W
MAX. CONT. AC POWER @ 40°C (104°F) WITH 2 BATTERY CABINETS (8 MODULES MINIMUM):	11,000 W	9,600-11,000 W ²
MAX. CONT. AC POWER @ 50°C (122°F):	8,800 W	7,500-8,800 W ²
PEAK MOTOR STARTING CURRENT (2 SEC):		50 A, RMS
AC BACKUP OUTPUT VOLTAGE:	120/240, 1Ø VAC	120/208, 1Ø VAC
AC FREQUENCY:	60 Hz	60 Hz
THD (VOLTAGE):	< 2%	< 2%
AUTOMATIC SWITCHOVER TIME:	< 1 Seconds	< 1 Seconds

¹Peak Performance

²In Island mode X11402 protected loads only supply 2 phases 120 VAC L-N, 208 L-L which results in lower power than in grid tied 3 phase mode. The low value of the range is for full L-L loading while high value of the range is full L-N loading

Specifications

FEATURES AND MODES

ISLANDING ³ :	Yes
GRID SELL:	Yes
SELF CONSUMPTION:	Yes
PRIORITIZED CHARGING FROM RENEWABLES:	Yes
GRID SUPPORT - ZERO EXPORT:	Yes
ESS PCS OPERATION MODES (IMPORT ONLY, EXPORT ONLY):	Yes

ADDITIONAL FEATURES

SUPPORTED COMMUNICATION INTERFACES:	REbus™, CANbus, Ethernet
SYSTEM MONITORING:	PWRview™ Web Portal and Mobile App
BACKUP LOADS DISCONNECT ³ :	Yes, 50 A Circuit Breaker
INVERTER BYPASS SWITCH:	Automatic
WARRANTY:	10 Years

STANDARDS COMPLIANCE

SAFETY:	UL 1741 SA, CSA 22.2, UL 1998
GRID CONNECTION STANDARDS:	IEEE 1547, Rule 21, Rule 14H, CSIP, UL 1741 PCS CRD (Import Only, Export Only)
EMISSIONS:	FCC Part 15 Class B

DIMENSIONS AND INSTALLATION SPECIFICATIONS

ENCLOSURE KNOCKOUTS - QTY, SIZE - IN (MM):	6 x Combo 3/4" x 1" (19 x 25.4) 7 x Combo 1/2" x 3/4" (12.7 x 19)
DIMENSIONS L x W x H - IN (MM):	24.5" x 19.25" x 8" (622.3 x 488.9 x 203.2)
WEIGHT - LB (KG):	62.7 (28.4)
COOLING:	Forced convection
AUDIBLE NOISE:	< 40 dBA
OPERATING TEMPERATURE - FAHRENHEIT (CELSIUS):	-4 to 122 °F (-20 to 50 °C) ⁴
PROTECTION RATING:	NEMA 3R

INSTALLATION GUIDELINES

BATTERY TYPES SUPPORTED:	PWRcell™ Battery
MODULE STRING SIZE PER PV LINK OPTIMIZER:	Varies, refer to PV Link Installation Manual
MAXIMUM RECOMMENDED DC POWER FROM PV:	15 kW

³3Ø inverters offer islanding for 1Ø loads.

⁴Includes ambient temperature rising from inverter operation. Reduced power at extreme temperatures.

Specifications listed in this document are achieved with firmware version 13310 or greater. Confirm inverter has latest firmware to ensure full performance.

Generac Power Systems, Inc.
S45 W29290 Hwy. 59, Waukesha, WI 53189

www.Generac.com | 888-GENERAC (436-3722)

A0000528185 REV E

©2020 Generac Power Systems. All rights reserved.
Specifications are subject to change without notice.

GENERAC



POWER HOME SOLAR, LLC
"POWER YOUR FUTURE"
919 N. MAIN ST.
MOORESVILLE, NC 28115
Phone: 704-800-6591 (OFFICE)
Email: info@powerhome.com
Web: www.powerhome.com

REVISIONS

DESCRIPTION	DATE	REV

Signature with Seal

DATE: 1/21/2021

PROJECT NAME & ADDRESS

OLGA OPPERMANN
RESIDENCE
235 CRAWFORD RD.,
COATS, NC 27521

SHEET NAME
EQUIPMENT
SPECIFICATION

SHEET SIZE

ANSI B
11" X 17"

SHEET NUMBER

PV-7

GENERAC

SnapRS™

Inline Disconnect Switch
Model: APKE00011
Certification Model Reference: RS801



Generac SnapRS are a simple way to satisfy rapid shutdown compliance for solar + storage systems. Generac SnapRS are 2017/2020 NEC 690.12 compliant, don't require any extra hardware to mount, and need no pairing or fussy digital communications.

FEATURES & BENEFITS

- Fast, easy, and simple to install
- One SnapRS device per PV module
- Achieves PVRSS Compliance
- Low cost, high efficiency solution

SYSTEM DESIGN

Snap a Generac SnapRS disconnect device (RS) to the negative lead (-) of each module in the solar array for simple module-level rapid shutdown compliance. SnapRS devices isolate array voltage when a rapid shutdown is initiated at a PWRcell™ Inverter. When rapid shutdown is initiated, SnapRS units isolate each PV module in the array, reducing array voltage to <80V in seconds.

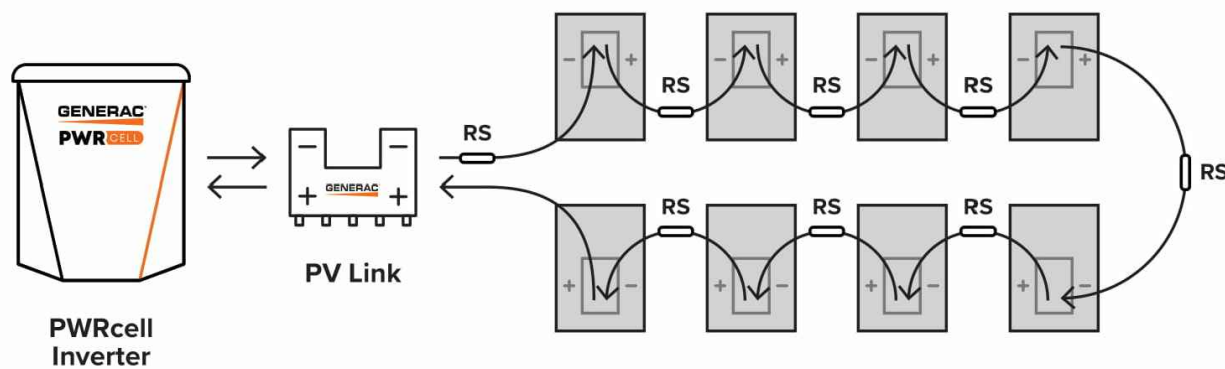


Diagram is applicable for most 60 cell PV modules. Modules with higher cell count may require a different arrangement. Contact Generac for more details.

Specifications

SnapRS™ (APKE00011)

PV MODULE MAX VOC:	75 V
EFFICIENCY:	99.8%*
MAX INPUT CURRENT:	13 A
SHUTDOWN TIME:	< 10 Seconds
ENCLOSURE RATING:	NEMA 6P
OPERATING TEMPERATURE - FAHRENHEIT (CELSIUS):	-40 to 158 °F (-40 to 70 °C)
CERTIFICATIONS:	UL1741
PROTECTIONS:	PVRSE
WEIGHT - LB (KG):	0.17 (0.08)
DIMENSIONS, L x W x H - IN (MM):	7" x 1" x 1" (177.8 x 25.4 x 25.4)
WARRANTY:	25 Years

*When used with a 50V panel

Connect one SnapRS device to the negative lead of each PV module in the PV Link controlled array for complete PV Rapid shutdown performance



Generac Power Systems, Inc.
545 W29290 Hwy. 59, Waukesha, WI 53189
www.Generac.com | 888-GENERAC (436-3722)
A0000528183 REV C

©2020 Generac Power Systems. All rights reserved.
Specifications are subject to change without notice.



POWER HOME SOLAR, LLC
"POWER YOUR FUTURE"
919 N. MAIN ST.
MOORESVILLE, NC 28115
Phone: 704-800-6591 (OFFICE)
Email: info@powerhome.com
Web: www.powerhome.com

REVISIONS

DESCRIPTION	DATE	REV

Signature with Seal

DATE: 1/21/2021

PROJECT NAME & ADDRESS

OLGA OPPERMANN
RESIDENCE
235 CRAWFORD RD.,
COATS, NC 27521

SHEET NAME
EQUIPMENT
SPECIFICATION

SHEET SIZE

ANSI B
11" X 17"

SHEET NUMBER

PV-8

GENERAC

PWRCELL

PWRcell Battery Cabinet (Ordering SKU: APKE00007)
 2.85kWh PWRcell Battery Module
 Model #: BJ-DCB05ZKAX (Ordering SKU: A0000391219)
 PWRcell Battery Configuration Model #s:
 PWRcell 9, PWRcell 12, PWRcell 15, PWRcell 17
 PWRcell Spacer Kit (Ordering SKU: APKE00008)
 PWRcell Upgrade Kit (Ordering SKU: APKE00009)

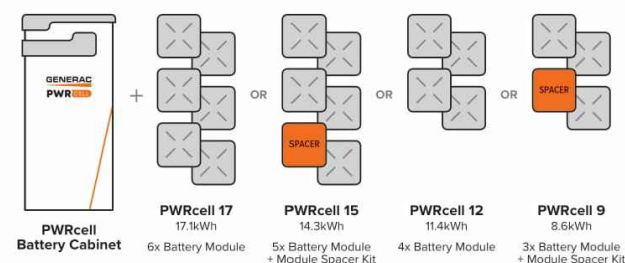
The PWRcell™ Battery Cabinet is a modular smart battery platform that allows for a range of configurations to suit any need, small or large. No other smart battery offers the power and flexibility of PWRcell. Whether for backup power or smart energy management, PWRcell has power and capacity options for every need, without sacrificing flexibility or function.



PWRcell BATTERY CABINET DESIGN

The PWRcell Battery Cabinet allows system owners the flexibility to scale from the economical 8.6kWh PWRcell 9 to the massive 17.1kWh PWRcell 17 by installing additional battery modules to the PWRcell Battery Cabinet. When needs change, an existing PWRcell Battery Cabinet can be upgraded with additional modules. Use the graphic below and the chart on the back of this sheet to understand what components you need for your chosen PWRcell configuration.

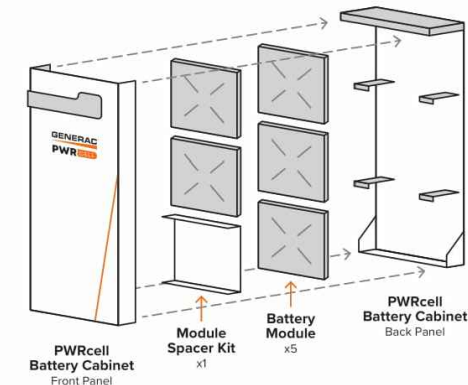
BATTERY CONFIGURATION GUIDE



FEATURES & BENEFITS

- Connect 2 PWRcell Battery Cabinets to a single PWRcell Inverter for 34.2kWh of storage
- Best-in-class battery backup power
- Plug-and-play with PWRcell Inverter and PV Link™
- Time-of-use (TOU) and zero-export ready
- Residential and commercial application ready

BATTERY CABINET ASSEMBLY



Specifications

PWRcell™ BATTERY CONFIGURATIONS	9	12	15	17
BATTERY MODULES:	3	4	5	6
USABLE ENERGY:	8.6kWh	11.4kWh	14.3kWh	17.1kWh
POWER - RATED CONTINUOUS:	3.4kW	4.5kW	5.6kW	6.7kW
POWER - 60 MINUTES:	4.2kW	5.6kW	7.0kW	8.4kW
POWER - 2 MINUTES:	5.0kW	6.7kW	8.4kW	10.0kW
REbus™ VOLTAGE - INPUT/OUTPUT:	360-420 VDC			
MODULE VOLTAGE:	46.8 VDC			
ROUND-TRIP EFFICIENCY:	96.50%			
OPERATING TEMPERATURE - FAHRENHEIT (CELSIUS):	41 to 113 °F (5 to 45 °C)			
RECOMMENDED AMBIENT TEMPERATURE - FAHRENHEIT (CELSIUS):	55 to 86 °F (13 to 30 °C)			
MAXIMUM INSTALLATION ALTITUDE - FT (M):	9834 (3000)			
DIMENSIONS, L x W x H - IN (MM):	22" x 10" x 68" (559 x 254 x 1727)			
WEIGHT, ENCLOSURE - LB (KG):	115 (52)			
WEIGHT, INSTALLED - LB (KG):	280 (127)	335 (152)	390 (178)	445 (202)
WARRANTY - LI-ION MODULES:	10 Years, (7.56MWh)			
WARRANTY - ELECTRONICS AND ENCLOSURE:	10 Years			
COMMUNICATION PROTOCOL:	REbus™ DC Nanogrid™			
COMPLIANCE:	UL 9540, UL 1973, UL 1642, CSA 22.2			

UPGRADING PWRcell

Inside of the PWRcell Battery Cabinet, battery modules are stacked two deep on three levels, allowing for up to six modules to be connected in series. You can upgrade an existing PWRcell Battery Cabinet by adding Battery Modules and a Module Spacer (APKE00008) if required. PWRcell 9 and PWRcell 15 require a module spacer.

Generac offers a convenient PWRcell Battery Upgrade Kit (APKE00009) to help replace lost or misplaced hardware. A PWRcell Battery Upgrade Kit may be purchased from your Generac distributor.

Refer to the table to the right for material requirements related to upgrading the PWRcell Battery Cabinet.

UPGRADE MATERIAL REQUIREMENTS

STARTING CONFIGURATION	ENDING CONFIGURATION		
	PWRcell 17	PWRcell 15	PWRcell 12
PWRcell 9	+ 3 x PWRCell Mod + 2 x APKE00009*	+ 2 x PWRCell Mod + 1 x APKE00009*	+ 1 x PWRCell Mod + 1 x APKE00009*
PWRcell 12	+ 2 x PWRCell Mod + 1 x APKE00009*	+ 1 x PWRCell Mod + 1 x APKE00008	
PWRcell 15	+ 1 x PWRCell Mod + 1 x APKE00009*		

*APKE00009 (Upgrade kit) only required if original hardware is unavailable

Generac Power Systems, Inc.
 S45 W29290 Hwy. 59, Waukesha, WI 53189

www.Generac.com | 888-GENERAC (436-3722)

A0000528139 REV D

©2020 Generac Power Systems. All rights reserved.
 Specifications are subject to change without notice.



POWER HOME SOLAR, LLC
 "POWER YOUR FUTURE"
 919 N. MAIN ST.
 MOORESVILLE, NC 28115
 Phone: 704-800-6591 (OFFICE)
 Email: info@powerhome.com
 Web: www.powerhome.com

REVISIONS

DESCRIPTION	DATE	REV

Signature with Seal

DATE: 1/21/2021

PROJECT NAME & ADDRESS

OLGA OPPERMANN
 RESIDENCE
 235 CRAWFORD RD.,
 COATS, NC 27521

SHEET NAME
EQUIPMENT SPECIFICATION

SHEET SIZE

ANSI B
 11" X 17"

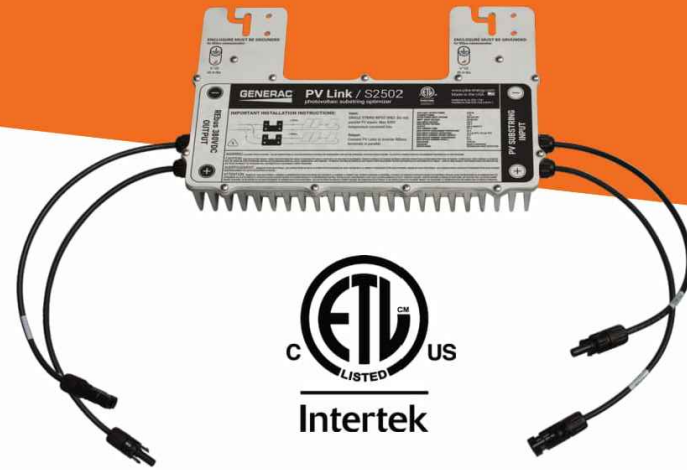
SHEET NUMBER

PV-9

GENERAC

PV Link™

2500W MPPT Substring Optimizer
 Model: APKE00010
 Certification Model Reference: S2502



PV Link is the simple solar optimizer for quick installation and long-lasting performance. Connect PV modules to each PV Link to overcome shading and challenging roof lines.

FEATURES & BENEFITS

- Fast, simple installation
- Lower failure risk than module-level optimizers
- 2017/2020 NEC rapid shutdown compliant with SnapRS™
- Quick connections with MC4 connectors
- Exports up to 2500W
- Compatible with PWRcell™ Inverters
- Cost-effective solution for high-performance PV
- Ground-fault protection

SINGLE-STRING PV ARRAY WITH SnapRS DEVICES

Where PV module-level rapid shutdown is required (NEC 690.12), a SnapRS device (RS) is installed to negative (-) lead of each PV module.

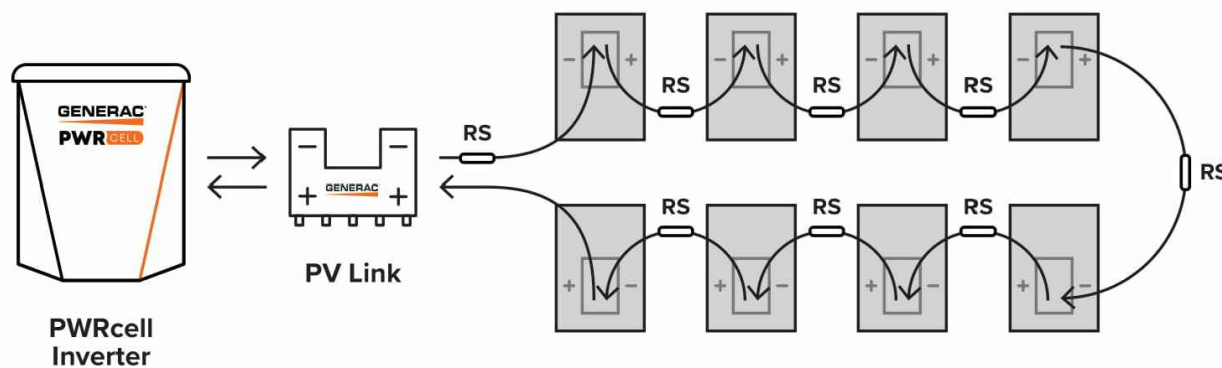


Diagram is applicable for most 60 cell PV modules. Modules with higher cell count may require a different arrangement. Contact Generac for more details.

Specifications

PV Link™ (APKE00010)	
RATED POWER*:	2500W
PEAK EFFICIENCY:	99%
MPPT VOLTAGE RANGE:	60-360 VMP
MAX INPUT VOLTAGE:	420 VOC; max when cold
MAX OUTPUT:	420 VOC
NOMINAL OUTPUT (REbus™):	380 VDC
MAX OUTPUT CURRENT (CONTINUOUS):	8 A
MAX OUTPUT CURRENT (FAULT):	10 A
MAX INPUT CURRENT (CONTINUOUS):	13 A @ 50°C, 10 A @ 70°C
MAX INPUT SHORT CIRCUIT CURRENT (ISC):	18 A
STANDBY POWER:	< 1 W
PROTECTIONS:	Ground-fault, Arc-fault (Arc-fault Type 1 AFCI, Integrated), PVRSE
MAX OPERATING TEMP: FAHRENHEIT (CELSIUS)	158 °F (70 °C)
SYSTEM MONITORING:	PWRview™ Web Portal and Mobile App
ENCLOSURE:	Type 3R
WEIGHT - LB (KG):	7.3 lb (3.3 kg)
DIMENSIONS, L x W x H - IN (MM):	15.4" x 2" x 9.6" (391.2 x 50.8 x 243.8)
COMPLIANCE:	UL 1741, CSA 22.2
WARRANTY:	25 Years

*PV Link can tolerate higher than rated power at its input if Max Input Voltage and Short Circuit Current specifications are not exceeded



Generac Power Systems, Inc.
 S45 W29290 Hwy. 59, Waukesha, WI 53189
www.Generac.com | 888-GENERAC (436-3722)
 A0000528162 REV C

©2020 Generac Power Systems. All rights reserved.
 Specifications are subject to change without notice.

GENERAC



POWER HOME SOLAR, LLC
 "POWER YOUR FUTURE"
 919 N. MAIN ST.
 MOORESVILLE, NC 28115
 Phone: 704-800-6591 (OFFICE)
 Email: info@powerhome.com
 Web: www.powerhome.com

REVISIONS

DESCRIPTION	DATE	REV

Signature with Seal

DATE: 1/21/2021

PROJECT NAME & ADDRESS

OLGA OPPERMANN
 RESIDENCE
 235 CRAWFORD RD.,
 COATS, NC 27521

SHEET NAME
**EQUIPMENT
 SPECIFICATION**

SHEET SIZE

**ANSI B
 11" X 17"**

SHEET NUMBER

PV-10



QRail™ — Fully Integrated Mounting and Racking System

The QRail Series is a strong and versatile solar array mounting system that provides unrivaled benefits to solar designers and installers. Combined with Quick Mount PV's industry-leading waterproof mounts, QRail offers a complete racking solution for mounting solar modules on any roof.



Easily design array configurations with the QDesign software application. Generate complete engineering reports and calculate a precise bill of materials for all the mounting, racking and accessories needed for a complete solar array.

Comprehensive, One-Source Solution

QRail, together with Quick Mount PV's waterproof mounting products, provides the benefit of a single-sourced, seamlessly integrated rooftop installation that works with all roof types — composition/asphalt shingles, flat or curved tile, metal shingle, shake, slate and low slope roofs. The QRail system also works with any roof attachment system for maximum flexibility.

Superior Strength and Versatility

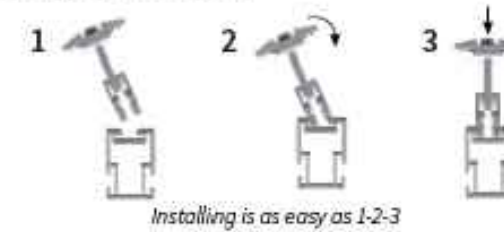
QRail is engineered for optimal structural performance. The system is certified to UL 2703, fully code compliant and backed by a 25-year warranty. QRail is available in Light, Standard and Heavy versions to match all geographic locations. QRail is compatible with virtually all modules and works on a wide range of pitched roof surfaces. Modules can be mounted in portrait or landscape orientation in standard or shared-rail configurations.



Fast, Simple Installation: It Just Clicks

QClick Technology™

The universal mid and end clamps use QClick technology to simply "click" into the rail channel and remain upright, ready to accept the module. The pre-assembled clamps fit virtually all module frames and require no extra hardware, eliminating pre-loading and reducing installation time.



UNIVERSAL END CLAMP
2 clamps for modules from
30-45mm or 38-50mm thick



UNIVERSAL BONDED MID CLAMP
2 clamps for modules from
30-45mm or 38-50mm thick

QSplice™ Technology

QRail's innovative internal QSplice installs in seconds, requiring no tools or screws. Simply insert QSplice into the rail and slide the other rail on to create a fully structural, bonded splice. An external splice is also available.



Fully Integrated Electrical Bonding

The QRail system provides an integrated electrical bonding path, ensuring that all exposed metal parts and the solar module frames are electrically connected. All electrical bonds are created when the components are installed and tightened down.



POWER HOME SOLAR, LLC
"POWER YOUR FUTURE"
919 N. MAIN ST.
MOORESVILLE, NC 28115
Phone: 704-800-6591 (OFFICE)
Email: info@powerhome.com
Web: www.powerhome.com

REVISIONS

DESCRIPTION	DATE	REV

Signature with Seal

DATE: 1/21/2021

PROJECT NAME & ADDRESS

**OLGA OPPERMANN
RESIDENCE**
235 CRAWFORD RD.,
COATS, NC 27521

SHEET NAME

**EQUIPMENT
SPECIFICATION**

SHEET SIZE

**ANSI B
11" X 17"**

SHEET NUMBER

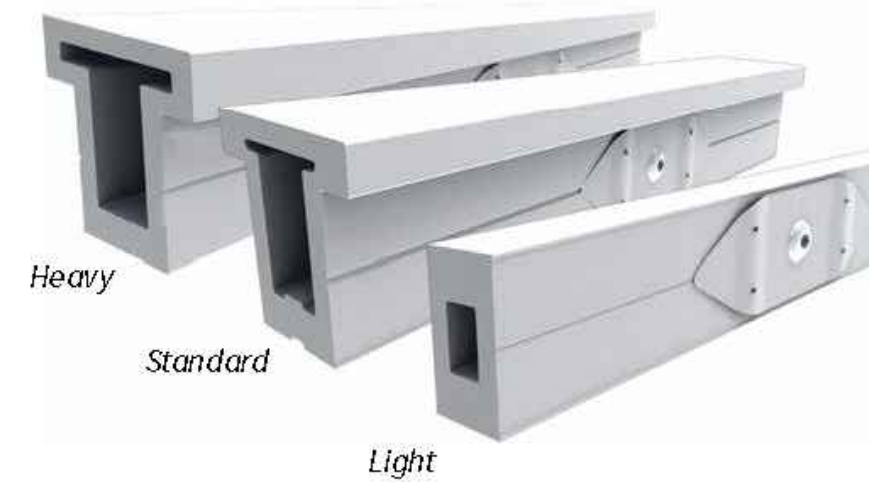
PV-11

QRail™ Configurations



Item Code	Part Number	Description	Finish
QMR-RL14 A 60	800	QRail Light, 14 ft., 60 Pack	Mill
QMR-RL17.3 A 60	801	QRail Light, 17.3 ft., 60 Pack	Mill
QMR-RL14 B 60	805	QRail Light, 14 ft., 60 Pack	Black
QMR-RL17.3 B 60	806	QRail Light, 17.3 ft., 60 Pack	Black
QMR-RS14 A 60	810	QRail Standard, 14 ft., 60 Pack	Mill
QMR-RS17.3 A 60	811	QRail Standard, 17.3 ft., 60 Pack	Mill
QMR-RS14 B 60	815	QRail Standard, 14 ft., 60 Pack	Black
QMR-RS17.3 B 60	816	QRail Standard, 17.3 ft., 60 Pack	Black
QMR-RH14 A 60	820	QRail Heavy, 14 ft., 60 Pack	Mill
QMR-RH17.3 A 60	821	QRail Heavy, 17.3 ft., 60 Pack	Mill
QMR-RH14 B 60	825	QRail Heavy, 14 ft., 60 Pack	Black
QMR-RH17.3 B 60	826	QRail Heavy, 17.3 ft., 60 Pack	Black

QSplice™ Internal Structural Splice



Item Code	Part Number	Description	Finish
QMR-ISL A 15	830	QSplice Internal, Light, 15 Pack	Mill
QMR-ISS A 15	831	QSplice Internal, Standard, 15 Pack	Mill
QMR-ISH A 15	832	QSplice Internal, Heavy, 15 Pack	Mill

QSplice™ External Structural Splice



Item Code	Part Number	Description	Finish
QMR-ESS A 15	834	QSplice External, Standard, 15 Pack	Mill
QMR-ESH A 15	835	QSplice External, Heavy, 15 Pack	Mill



POWER HOME SOLAR, LLC
 "POWER YOUR FUTURE"
 919 N. MAIN ST.
 MOORESVILLE, NC 28115
 Phone: 704-800-6591 (OFFICE)
 Email: info@powerhome.com
 Web: www.powerhome.com

REVISIONS

DESCRIPTION	DATE	REV

Signature with Seal

DATE: 1/21/2021

PROJECT NAME & ADDRESS

OLGA OPPERMANN
 RESIDENCE
 235 CRAWFORD RD.,
 COATS, NC 27521

SHEET NAME
 EQUIPMENT
 SPECIFICATION

SHEET SIZE

ANSI B
 11" X 17"

SHEET NUMBER

PV-11A

Universal End Clamp with QClick™ Technology



Black

Mill

Item Code	Part Number	Description	Finish
QMR-UEC3045 A 20	860	Universal End Clamp, 30-45mm, 20 Pack	Mill
QMR-UEC3850 A 20	861	Universal End Clamp, 38-50mm, 20 Pack	Mill
QMR-UEC3045 B 20	865	Universal End Clamp, 30-45mm, 20 Pack	Black
QMR-UEC3850 B 20	866	Universal End Clamp, 38-50mm, 20 Pack	Black
QMR-UEC3045BP A 20	862	Universal End Clamp, 30-45mm, w/ Bonding, 20 Pack	Mill
QMR-UEC3850BP A 20	863	Universal End Clamp, 38-50mm, w/ Bonding, 20 Pack	Mill
QMR-UEC3045BP B 20	867	Universal End Clamp, 30-45mm, w/ Bonding, 20 Pack	Black
QMR-UEC3850BP B 20	868	Universal End Clamp, 38-50mm, w/ Bonding, 20 Pack	Black

Mid Clamp with QClick™ Technology



Black

Mill

Item Code	Part Number	Description	Finish
QMR-UMC3045BP 1.2 A 20	872	Universal Mid Clamp, 30-45mm, w/ Bonding, 20 Pack	Mill
QMR-UMC3850BP 1.2 A 20	873	Universal Mid Clamp, 38-50mm, w/ Bonding, 20 Pack	Mill
QMR-UMC3045BP 1.2 B 20	877	Universal Mid Clamp, 30-45mm, w/ Bonding, 20 Pack	Black
QMR-UMC3850BP 1.2 B 20	878	Universal Mid Clamp, 38-50mm, w/ Bonding, 20 Pack	Black

Single-Slot L-Foot



Item Code	Part Number	Description	Finish
QMC-LF A 12	692	Single-slot L-foot, 12 Pack	Mill
QMC-LF B 12	693	Single-slot L-foot, 12 Pack	Black

End Caps



Heavy

Standard

Light

Item Code	Part Number	Description	Finish
QMR-CPL B 50	885	End Cap Light, 50 Pack	Black
QMR-CPS B 50	886	End Cap Standard, 50 Pack	Black
QMR-CPH B 50	887	End Cap Heavy, 50 Pack	Black



POWER HOME SOLAR, LLC
 "POWER YOUR FUTURE"
 919 N. MAIN ST.
 MOORESVILLE, NC 28115
 Phone: 704-800-6591 (OFFICE)
 Email: info@powerhome.com
 Web: www.powerhome.com

REVISIONS

DESCRIPTION	DATE	REV

Signature with Seal

DATE: 1/21/2021

PROJECT NAME & ADDRESS

OLGA OPPERMANN
 RESIDENCE
 235 CRAWFORD RD.,
 COATS, NC 27521

SHEET NAME

EQUIPMENT
 SPECIFICATION

SHEET SIZE

ANSI B
 11" X 17"

SHEET NUMBER

PV-11B

T-Bolt



Item Code	Part Number	Description	Finish
QMR-TB A 300	880	T-Bolt w/ Nut, 300 Pack	stainless steel

Grounding Lug



Item Code	Part Number	Description	Finish
QMR-GL A 50	890	WEEB Lug w/ T-Bolt, 50 Pack	n/a

Wire Clip



Works with both PV and Trunk Cabling

Item Code	Part Number	Description	Finish
QMR-WCA 300	892	Trunk/PV Cable, 300 Pack	stainless steel

WEEB BMC



Item Code	Part Number	Description	Finish
QMR-ECWA 50	891	WEEB BMC, 50 Pack	stainless steel



POWER HOME SOLAR, LLC
 "POWER YOUR FUTURE"
 919 N. MAIN ST.
 MOORESVILLE, NC 28115
 Phone: 704-800-6591 (OFFICE)
 Email: info@powerhome.com
 Web: www.powerhome.com

REVISIONS

DESCRIPTION	DATE	REV

Signature with Seal

DATE: 1/21/2021

PROJECT NAME & ADDRESS

OLGA OPPERMANN
 RESIDENCE
 235 CRAWFORD RD.,
 COATS, NC 27521

SHEET NAME

EQUIPMENT
 SPECIFICATION

SHEET SIZE

ANSI B
 11" X 17"

SHEET NUMBER

PV-11C

S-5![®]

The Right Way!

ProteaBracket™

ProteaBracket™ is the most versatile standing seam metal roof attachment solution on the market, fitting most trapezoidal sheet profiles with and without intermediate insulation. It features an adjustable attachment base and multiple solar module attachment options (illustrated on back) to accommodate varying widths and heights. There are no messy sealants to apply and no chance for leaks; the ProteaBracket comes with factory-applied, adhesive rubber sealant to ensure quick installation and a weather-proof fit.

Installation is simple! The ProteaBracket is mounted directly onto the crown of the panel, straddling the profile. No surface preparation is necessary; simply wipe away excess oil and debris, align, and apply. Secure ProteaBracket through its pre-punched holes, using the hardened drill point S-5![®] screws.

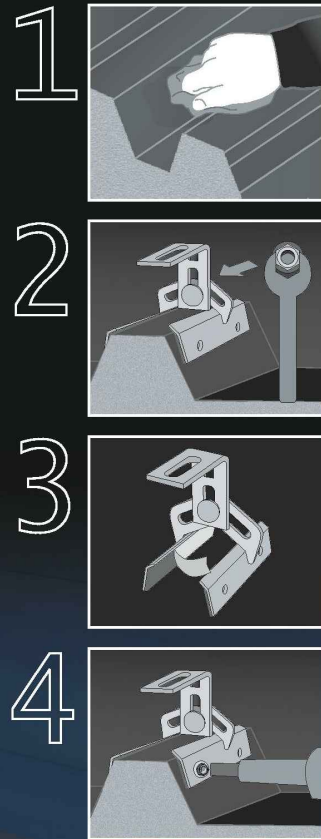
ProteaBracket is the perfect match for our S-5-PV Kit and spares you the hassle of cold-bridging! For a solar attachment solution that is both economical and easy to use, choose ProteaBracket.*

*When ProteaBracket is used in conjunction with the S-5-PV Kit, an additional nut is required during installation.

S-5![®] ProteaBracket™ is a versatile bracket that adjusts easily to most trapezoidal roof profiles.

ProteaBracket™

888-825-3432 | www.S-5.com



S-5![®]

The Right Way!

ProteaBracket™ is the perfect solar attachment solution for most trapezoidal exposed-fastened metal roof profiles! No messy sealants to apply. The factory-applied adhesive rubber sealant weather-proofs and makes installation easy!

Each ProteaBracket™ comes with a factory-applied, adhesive rubber sealant on the base. A structural A2 stainless steel bimetal attachment bracket, ProteaBracket is compatible with most common metal roofing materials. All four pre-punched holes must be used to achieve tested strength. Mounting hardware is furnished with the ProteaBracket. For design assistance, ask your distributor, or visit www.S-5.com for the independent lab test data that can be used for load-critical designs and applications. Also, please visit our website for more information including metallurgical compatibilities and specifications. S-5![®] holding strength is unmatched in the industry.

Multiple Attachment Options:

Side Rail Option



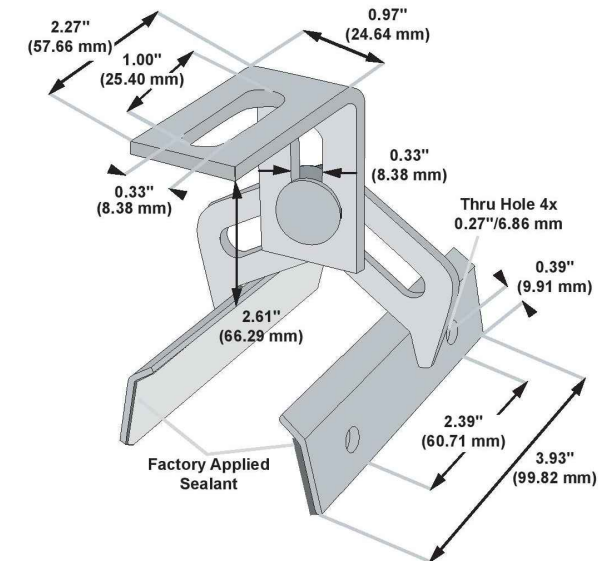
Top Rail Option



S-5-PV Kit Option

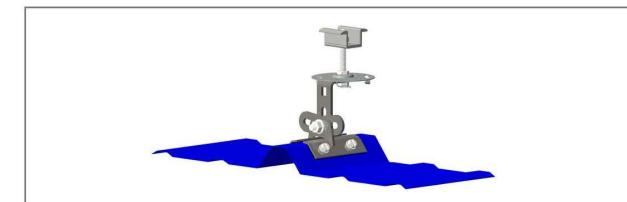


ProteaBracket™



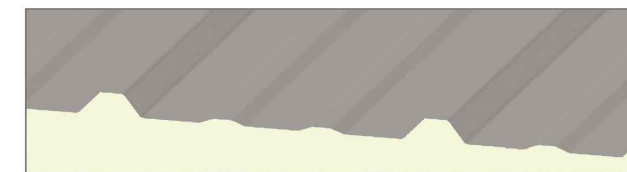
Please note: All measurements are rounded to the second decimal place.

Example Applications



S-5-PV Kit demonstrated with a ProteaBracket on a trapezoidal profile.

Example Profile



Distributed by

S-5![®] Warning! Please use this product responsibly!
 Products are protected by multiple U.S. and foreign patents. For published data regarding holding strength, bolt torque, patents, and trademarks, visit the S-5! website at www.S-5.com.
 Copyright 2013, Metal Roof Innovations, Ltd. S-5! products are patent protected.
 S-5! aggressively protects its patents, trademarks, and copyrights. Version 112513.



REVISIONS		
DESCRIPTION	DATE	REV

Signature with Seal

DATE: 1/21/2021

PROJECT NAME & ADDRESS

OLGA OPPERMANN
 RESIDENCE
 235 CRAWFORD RD.,
 COATS, NC 27521

SHEET NAME
 EQUIPMENT
 SPECIFICATION

SHEET SIZE
 ANSI B
 11" X 17"

SHEET NUMBER
 PV-12

L-Mount | QMLM / QMLM-ST

Elevated Water Seal Technology®

ITEM NO.	DESCRIPTION	QTY.
1	FLASHING, ROUNDED CORNERS, 9" X 12" X .040", .438" HOLE, 5052, MILL	1
2	L-FOOT, 2" X 3.30" FOR .438" O.D. FASTENER, 2-1/16" SLOT, 6061-T6/6005A-T61, MILL	1
3	WASHER, SEALING, 5/16" ID X 3/4" OD, EPDM BONDED SS	1
4	LAG SCREW, HEX HEAD, 5/16" X 4", 18-8 SS	1
*5	STRUCTURAL SCREW, GMPV, T-30 HEX WASHER HEAD, 5/16" X 4-1/2", 18-8SS	1

Quick Mount PV®
 TITLE: QMLM & QMLM-ST: L-MOUNT, 2-1/16" SLOT
 UNLESS OTHERWISE SPECIFIED: DIMENSIONS ARE IN INCHES; TOLERANCES: FRACTIONAL ± 1/8; TWO PLACE DECIMAL ± .01; THREE PLACE DECIMAL ± .004
 SIZE: A DRAWN BY: AAP DATE: 4/4/2019 REV: 11
 SCALE: 1:4 WEIGHT: 0.7566 SHEET 1 OF 1

L-Mount Installation Instructions

Installation Tools Required: tape measure, roofing bar, chalk line, stud finder, caulking gun, sealant compatible with roofing materials, drill with 7/32" or 1/8" bit, drill or impact gun with 1/2" socket.

WARNING: Quick Mount PV products are NOT designed for and should NOT be used to anchor fall protection equipment.

- Locate, choose, and mark centers of rafters to be mounted. Select the courses of shingles where mounts will be placed.
- Carefully lift composition roof shingle with roofing bar, just above placement of mount. Remove nails as required and backfill holes with approved sealant. See "Proper Flashing Placement" on next page.
- Insert flashing between 1st and 2nd course. Slide up so top edge of flashing is at least 3/4" higher than the butt-edge of the 3rd course and lower flashing edge is above the butt-edge of 1st course. Mark center for drilling.
- If attaching with lag bolt use a 7/32" bit (Lag). Use a 1/8" bit (ST) for attaching with the structural screw. Drill pilot hole into roof and rafter, taking care to drill square to the roof. Do not use mount as a drill guide. Drill a 2" deep hole into rafter.
- Clean off any sawdust, and fill hole with sealant compatible with roofing materials.
- Place L-foot onto elevated flute and rotate L-foot to desired orientation.
- Prepare lag bolt or structural screw with sealing washer. Using a 1/2-inch socket on an impact gun, drive prepared lag bolt through L-foot until L-foot can no longer easily rotate. **DO NOT over-torque.** NOTE: Structural screw can be driven with T-30 hex head bit.
- You are now ready for the rack of your choice. Follow all the directions of the rack manufacturer as well as the module manufacturer. NOTE: Make sure top of L-Foot makes solid contact with racking.

All roofing manufacturers' written instructions must also be followed by anyone modifying a roof system. Consult the roof manufacturer's specs and instructions prior to working on the roof.

POWERHOME
 POWER HOME SOLAR, LLC
 "POWER YOUR FUTURE"
 919 N. MAIN ST.
 MOORESVILLE, NC 28115
 Phone: 704-800-6591 (OFFICE)
 Email: info@powerhome.com
 Web: www.powerhome.com

REVISIONS		
DESCRIPTION	DATE	REV

Signature with Seal
 DATE: 1/21/2021

PROJECT NAME & ADDRESS
**OLGA OPPERMANN
 RESIDENCE**
 235 CRAWFORD RD.,
 COATS, NC 27521

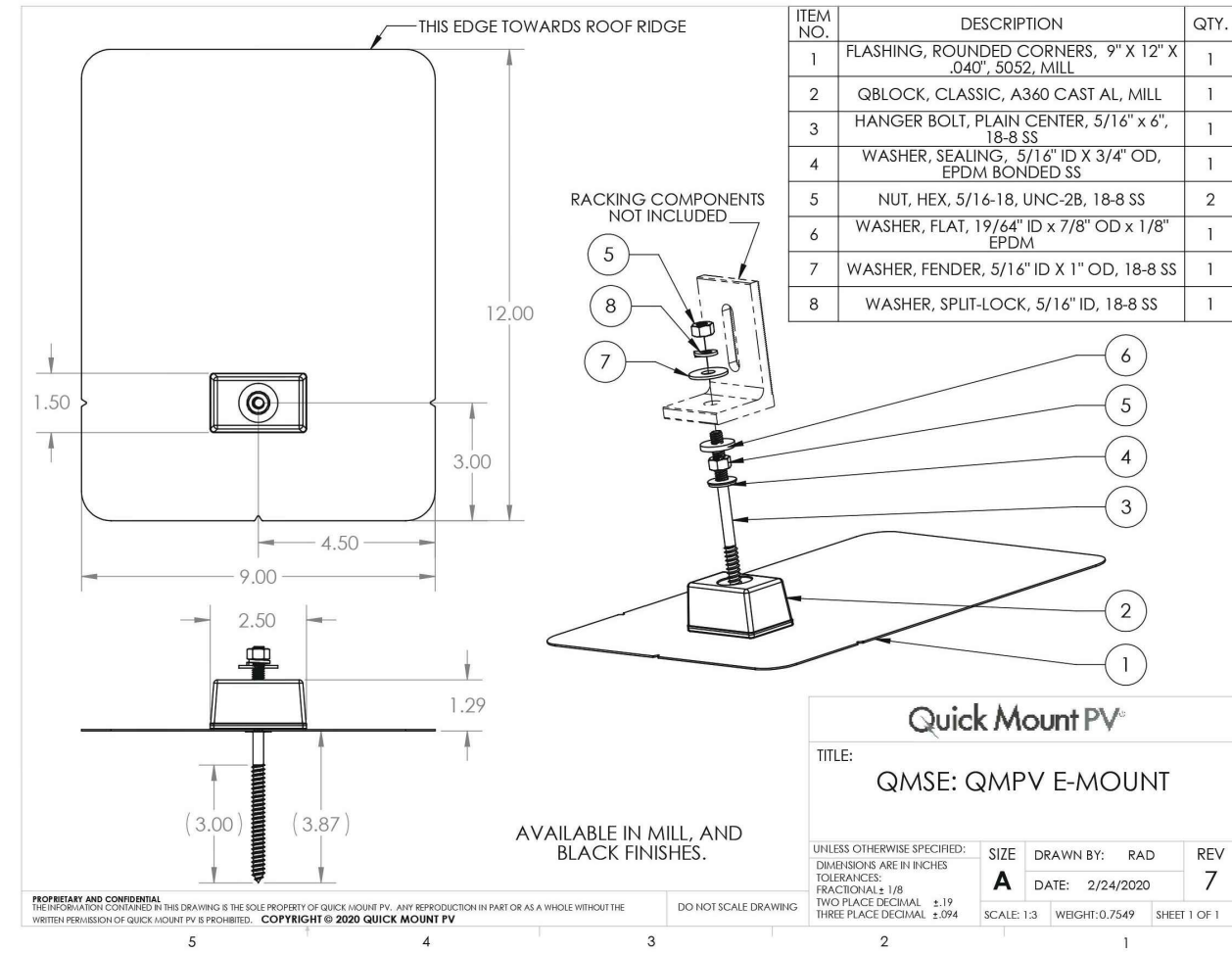
SHEET NAME EQUIPMENT SPECIFICATION
SHEET SIZE ANSI B 11" X 17"
SHEET NUMBER PV-12 A



Apr-2019 Rev 6

E-Mount | QMSE

Elevated Water Seal Technology®



ITEM NO.	DESCRIPTION	QTY.
1	FLASHING, ROUNDED CORNERS, 9" X 12" X .040", 5052, MILL	1
2	QBLOCK, CLASSIC, A360 CAST AL, MILL	1
3	HANGER BOLT, PLAIN CENTER, 5/16" x 6", 18-8 SS	1
4	WASHER, SEALING, 5/16" ID X 3/4" OD, EPDM BONDED SS	1
5	NUT, HEX, 5/16-18, UNC-2B, 18-8 SS	2
6	WASHER, FLAT, 19/64" ID x 7/8" OD x 1/8" EPDM	1
7	WASHER, FENDER, 5/16" ID X 1" OD, 18-8 SS	1
8	WASHER, SPLIT-LOCK, 5/16" ID, 18-8 SS	1

AVAILABLE IN MILL, AND BLACK FINISHES.

Lag pull-out (withdrawal) capacities (lbs) in typical lumber:

	Lag Bolt Specifications		
	Specific Gravity	5/16" shaft per 3" thread depth	5/16" shaft per 1" thread depth
Douglas Fir, Larch	.50	798	266
Douglas Fir, South	.46	705	235
Engelmann Spruce, Lodgepole Pine (MSR 1650 f & higher)	.46	705	235
Hem, Fir	.43	636	212
Hem, Fir (North)	.46	705	235
Southern Pine	.55	921	307
Spruce, Pine, Fir	.42	615	205
Spruce, Pine, Fir (E of 2 million psi and higher grades of MSR and MEL)	.50	798	266

Sources: American Wood Council, NDS 2005, Table 11.2 A, 11.3.2 A

- Notes:
- 1) Thread must be embedded in a rafter or other structural roof member.
 - 2) See NDS Table 11.5.1C for required edge distances.



E-Mount Installation Instructions

Installation Tools Required: tape measure, roofing bar, chalk line, stud finder, caulking gun, sealant compatible with roofing materials, drill with 7/32" long-style bit, drill or impact gun with 1/2" deep socket.

WARNING: Quick Mount PV products are NOT designed for and should NOT be used to anchor fall protection equipment.

1 Locate, choose, and mark centers of rafters to be mounted. Select the courses of shingles where mounts will be placed.

2 Carefully lift composition roof shingle with roofing bar, just above placement of mount. Remove nails as required. See "Proper Flashing Placement" on next page.

3 Insert flashing between 1st and 2nd course. Slide up so top edge of flashing is at least 3/4" higher than the butt-edge of the 3rd course and lower flashing edge is above the butt-edge of 1st course. Mark center for drilling.

4 Using drill with 7/32" bit, drill pilot hole into roof and rafter, taking care to drill square to the roof. Do not use mount as a drill guide. Drill should be 'long style bit', aka 'aircraft extension bit' to drill a 3" deep hole into rafter.

5 Clean off any sawdust, and fill hole with sealant compatible with roofing materials.

6 Slide flashing into position. Prepare hanger bolt with hex nut and sealing washer. Insert into hole and drive hanger bolt until QBlock stops rotating easily. **Do NOT over torque.**

7 Insert EPDM rubber washer over hanger bolt into block.

8 Using the rack kit hardware, secure the racking (L-foot) to the mount using torque specs from racking manufacturer. If racking manufacturer does not specify torque setting, tighten to 13 ft.-lbs.

You are now ready for the rack of your choice. Follow all the directions of the rack manufacturer as well as the module manufacturer.

All roofing manufacturers' written instructions must also be followed by anyone modifying a roof system. Consult the roof manufacturer's specs and instructions prior to touching the roof.

POWER HOME SOLAR, LLC
"POWER YOUR FUTURE"
919 N. MAIN ST.
MOORESVILLE, NC 28115
Phone: 704-800-6591 (OFFICE)
Email: info@powerhome.com
Web: www.powerhome.com

REVISIONS		
DESCRIPTION	DATE	REV

Signature with Seal

DATE: 1/21/2021

PROJECT NAME & ADDRESS

**OLGA OPPERMANN
RESIDENCE**
235 CRAWFORD RD.,
COATS, NC 27521

SHEET NAME
**EQUIPMENT
SPECIFICATION**

SHEET SIZE
**ANSI B
11" X 17"**

SHEET NUMBER
PV-12 B