

**SCOPE OF WORK**

TO INSTALL A RESIDENTIAL ROOFTOP SOLAR PHOTOVOLTAIC (PV) SYSTEM.  
 THE POWER GENERATED BY THE PV SYSTEM WILL BE INTERCONNECTED WITH THE  
 UTILITY GRID THROUGH THE EXISTING ELECTRICAL SERVICE EQUIPMENT.  
 THE PV SYSTEM DOES NOT INCLUDE BATTERIES.

**ELECTRICAL NOTES**

- 1) ALL EQUIPMENT TO BE LISTED BY THE UL OR OTHER NRTL AND LABELED FOR ITS APPLICATION.
- 2) ALL CONDUCTORS SHALL BE COPPER, RATED FOR 600V AND 90°C WET ENVIRONMENT.
- 3) WIRING, CONDUIT, AND RACEWAYS MOUNTED ON ROOFTOPS SHALL BE ROUTED DIRECTLY TO, AND LOCATED AS CLOSE AS POSSIBLE TO THE NEAREST RIDGE, HIP, OR VALLEY.
- 4) WORKING CLEARANCES AROUND ALL NEW AND EXISTING ELECTRICAL EQUIPMENT SHALL COMPLY WITH NEC 110.26.
- 5) DRAWINGS INDICATE THE GENERAL ARRANGEMENT OF SYSTEMS. CONTRACTOR SHALL FURNISH ALL NECESSARY OUTLETS, SUPPORTS, FITTINGS AND ACCESSORIES TO FULFILL APPLICABLE CODES AND STANDARDS.
- 6) WHERE SIZES OF JUNCTION BOXES, RACEWAYS, AND CONDUITS ARE NOT SPECIFIED, THE CONTRACTOR SHALL SIZE THEM ACCORDINGLY.
- 7) ALL WIRE TERMINATIONS SHALL BE APPROPRIATELY LABELED AND READILY VISIBLE.
- 8) MODULE GROUNDING CLIPS TO BE INSTALLED BETWEEN MODULE FRAME AND MODULE SUPPORT RAIL, PER THE GROUNDING CLIP MANUFACTURER'S INSTRUCTION.
- 9) MODULE SUPPORT RAIL TO BE BONDED TO CONTINUOUS COPPER G.E.C. VIA WEEB LUG OR THE ILSCO GBL-4DBT LAY-IN LUG.
- 10) THE POLARITY OF THE GROUNDED CONDUCTORS IS (positive/negative) OR THE DC SIDE OF THE PV SYSTEM IS UNGROUNDED AND SHALL COMPLY WITH NEC 690.35

**NCDOI REQUIREMENTS**

**\*OPTION 2\***

WEIGHT OF PV SYSTEM ON ROOF:

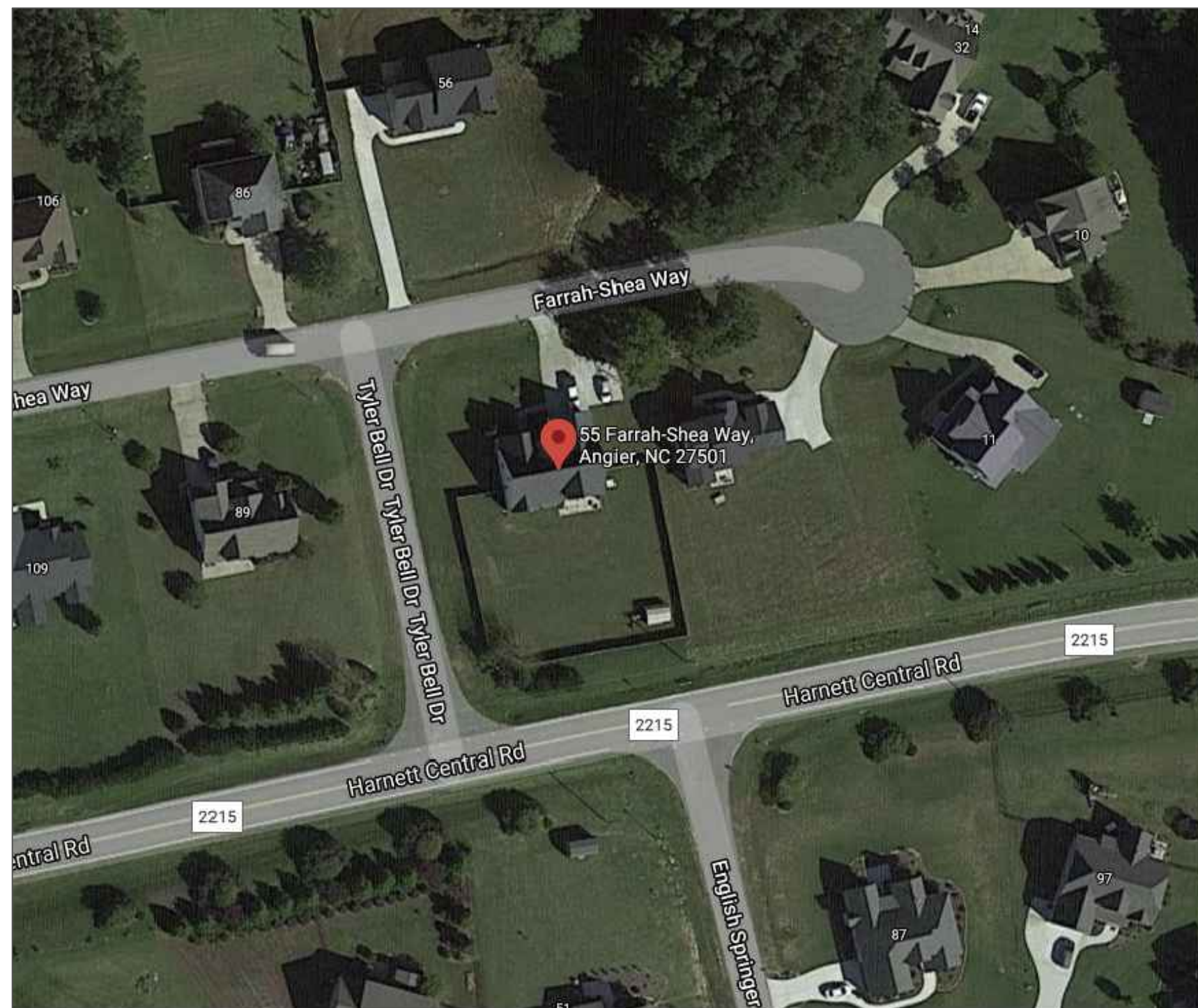
**2.6553 PSF**

EXISTING ROOF MATERIAL TYPE:

**ASPHALT SHINGLE (SINGLE LAYER)**

PROJECT LOCATION WIND ZONE:

**115 MPH**



**VICINITY MAP**

**CONTRACTOR**



**Covenant Solar Tech**

**DBA SUN DOLLAR ENERGY**  
 3200 WELLINGTON COURT SUITE 101  
 RALEIGH, NC 27615  
 (919) 508-6907  
 NC ELE LICENSE #: 30043U  
 NC GC LICENSE #: 84770

**PROJECT & CLIENT INFORMATION**

**DIXON RESIDENCE**  
**NEW SOLAR PV SYSTEM**  
 SYSTEM SIZE: 13.6 KW DC  
 SYSTEM SIZE: 11.4 KW AC

**ROBIN DIXON**  
 55 FARRAH SHEA WAY  
 ANGIER, NC 27501  
 (919) 961 0799

**ENGINEER OF RECORD**

**DRAWING BY**

**CST**

**REVISIONS**

DESCRIPTION	DATE	#	BY
RELEASED FOR PERMITTING	2/17/2021	1	CST

**SHEET SIZE**

**ANSI B**  
**11" X 17"**

**DATE**

**2/17/2021**

**SHEET NAME**

**GENERAL INFORMATION**

**SHEET NUMBER**

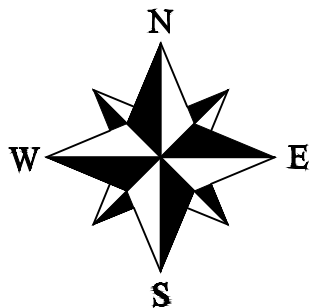
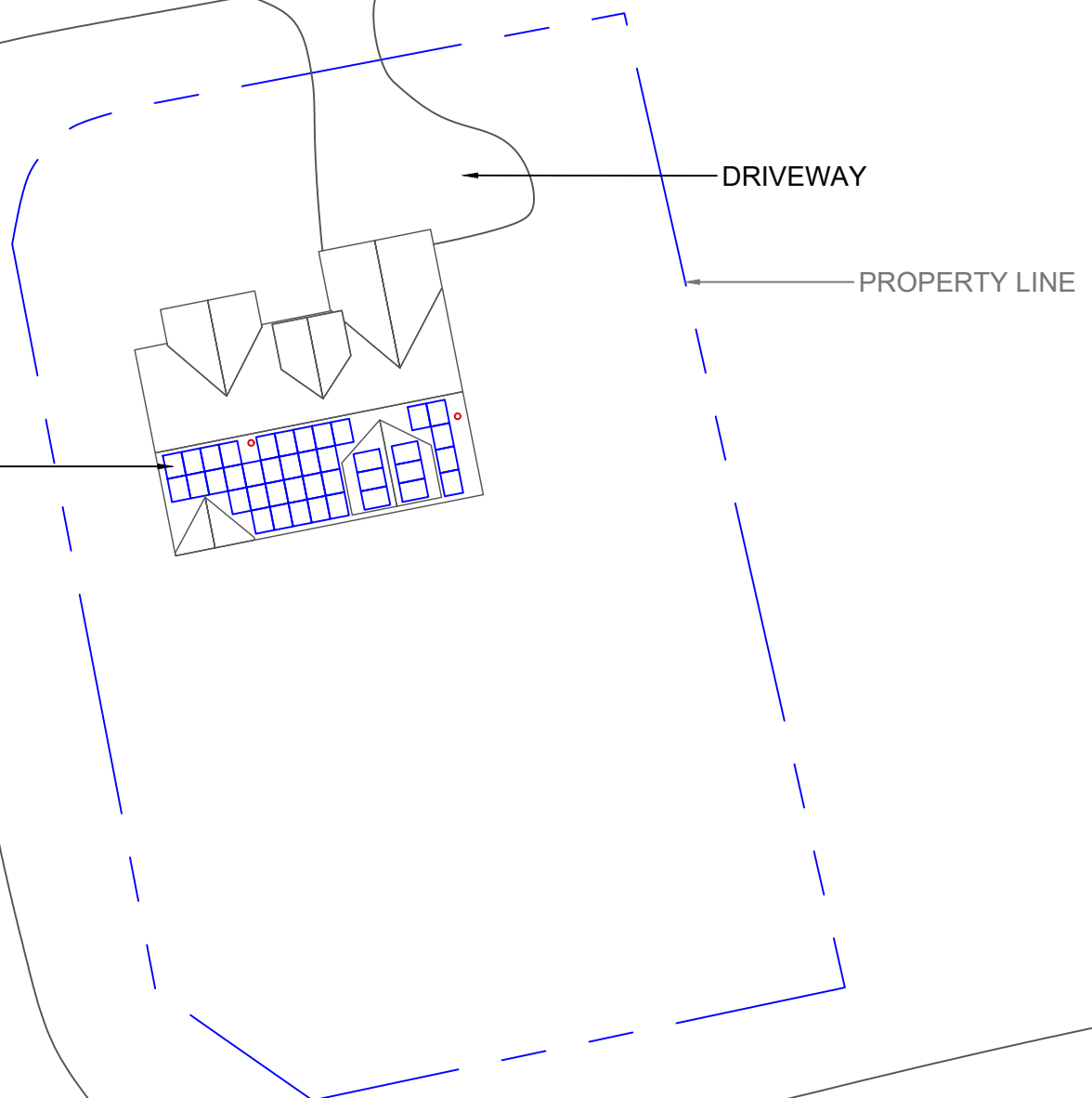
**COVER**

SHEET INDEX		GOVERNING CODES	DESIGN SPECIFICATIONS		SYSTEM SPECIFICATIONS	
COVER	GENERAL INFORMATION	NFPA 70 NATIONAL ELECTRICAL CODE 2017	CONSTRUCTION TYPE	SINGLE-FAMILY	SOLAR MODULES	(40) Q-PEAK DUO BLK-G6+ 340
PV-1	SITE PLAN	2018 INTERNATIONAL BUILDING CODE	ZONING	RESIDENTIAL	POWER OPTIMIZERS	(40) SOLAREEDGE P340
PV-2	ROOF LAYOUT AND MOUNTING DETAIL	2018 NORTH CAROLINA BUILDING CODE	GROUND SNOW LOAD	20 PSF	INVERTER(S)	(1) SOLAREEDGE SE11400H-US
PV-3	ELECTRICAL SCHEMATIC	2018 NORTH CAROLINA RESIDENTIAL CODE	WIND EXPOSURE CATEGORY	CATEGORY B	SOLAR MOUNTS	QUICKMOUNT PV L-MOUNTS
PV-4	AMPACITY CALCULATIONS AND WIRE SIZING	UNDERWRITERS LABORATORIES (UL) STANDARDS	WIND SPEED	115 MPH	SOLAR RACKING SYSTEM	EVEREST CROSSRAIL X48
PV-5	LABELING SCHEDULE	OSHA 29 CFR 1910.269	UTILITY PROVIDER	DUKE PROGRESS	MONITORING	YES
CUTSHEETS	MANUFACTURER SPECIFICATION SHEETS	NORTH CAROLINA DEPARTMENT OF INSURANCE	AHJ	HARNETT COUNTY	POINT OF INTERCONNECT	60A/2P LOAD SIDE BREAKER IN MSP

# PROPERTY PLAN

SCALE: 1/32"=1'-0"

(40) Q-PEAK DUO BLK-G6+ 340



CONTRACTOR



**Covenant Solar Tech**

**DBA SUN DOLLAR ENERGY**  
 3200 WELLINGTON COURT SUITE 101  
 RALEIGH, NC 27615  
 (919) 508-6907  
 NC ELE LICENSE #: 30043U  
 NC GC LICENSE #: 84770

PROJECT & CLIENT INFORMATION

**DIXON RESIDENCE**  
**NEW SOLAR PV SYSTEM**  
 SYSTEM SIZE: 13.6 KW DC  
 SYSTEM SIZE: 11.4 KW AC

**ROBIN DIXON**  
 55 FARRAH SHEA WAY  
 ANGIER, NC 27501  
 (919) 961 0799

ENGINEER OF RECORD

DRAWING BY

CST

REVISIONS

DESCRIPTION	DATE	#	BY
RELEASED FOR PERMITTING	2/17/2021	1	CST

SHEET SIZE

ANSI B  
 11" X 17"

DATE

2/17/2021

SHEET NAME

SITE PLAN

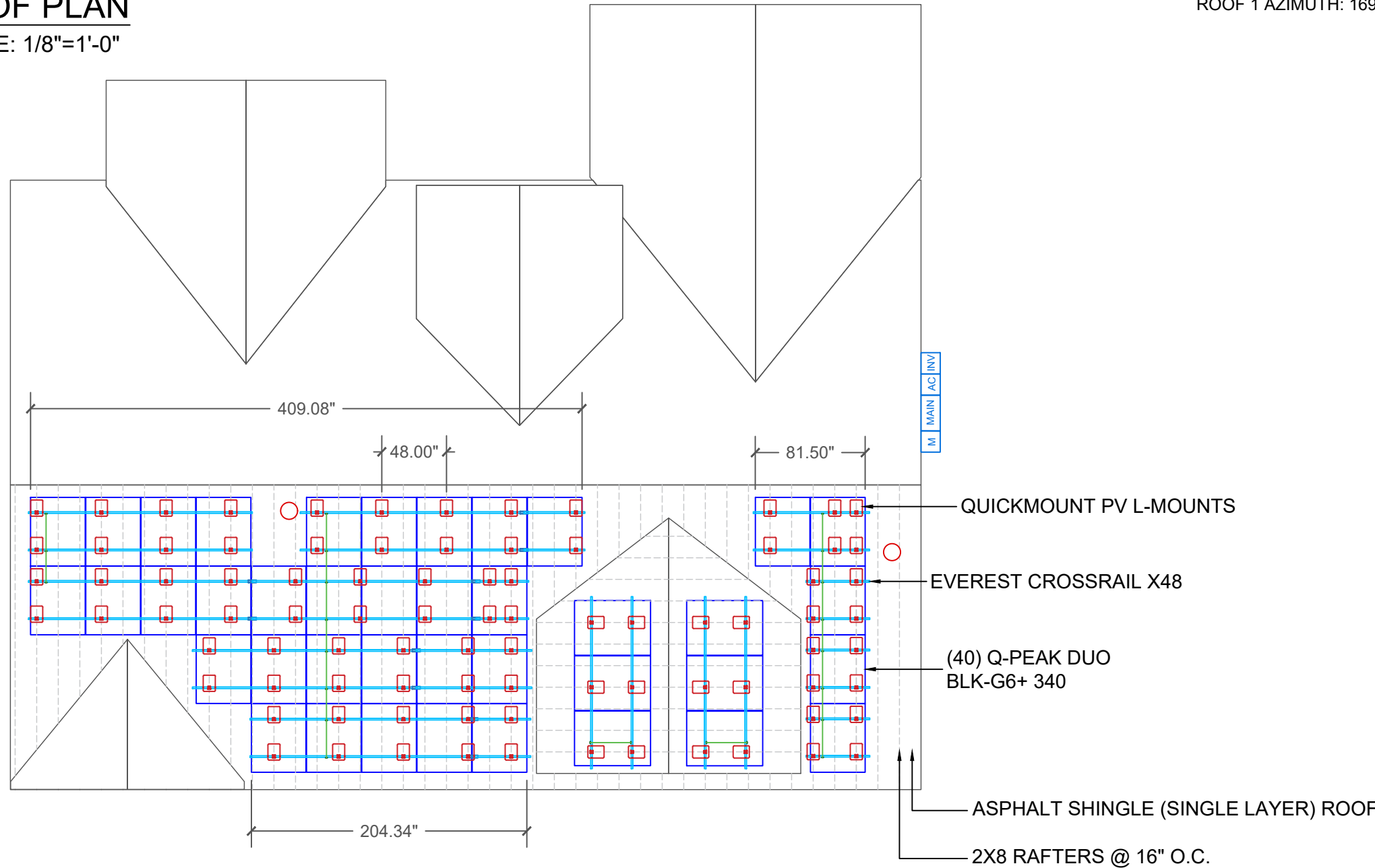
SHEET NUMBER

PV-1

# ROOF PLAN


SCALE: 1/8"=1'-0"

ROOF 1 PITCH: 42°  
ROOF 1 AZIMUTH: 169°



LOAD CALCULATIONS		
NUMBER OF MODULES	40	
MODULE WEIGHT	43.9	LBS
MODULE SQ FT	19.313	SQ FT
TOTAL MODULE WEIGHT	1756	LBS
TOTAL MODULE SQ FT	772.52	SQ FT
NUMBER OF PORTRAIT	40	
NUMBER OF LANDSCAPE	0	
NUMBER OF OPTIMIZERS	40	
WEIGHT PER OPTIMIZER	1.5	LBS
TOTAL OPTIMIZER WEIGHT	60	LBS
TOTAL LENGTH OF RAIL	267	LF
RAIL WEIGHT PER FOOT	0.56	LBS
TOTAL RAIL WEIGHT	149.52	LBS
NUMBER OF FLANGES	88	
WEIGHT PER FLANGE	0.7565	LBS
WEIGHT PER SYSTEM	66.572	LBS
NUMBER OF MID CLAMPS	58	
MID CLAMP WEIGHT	0.21	LBS
WEIGHT PER SYSTEM	12.18	LBS
NUMBER OF END CLAMPS	44	
END CLAMP WEIGHT	0.32	LBS
WEIGHT PER SYSTEM	6	LBS
NUMBER OF SPLICES	10	
WEIGHT PER SPLICE	0.1	LBS
WEIGHT PER SYSTEM	1	LBS
TOTAL ARRAY WEIGHT	2051.272	LBS
POINT LOAD	23.309909	LBS/FT
TOTAL ARRAY AREA	772.52	SQ FT
<b>ARRAY DEAD LOAD</b>	<b>2.6553</b>	<b>PSF</b>

CONTRACTOR



**Covenant Solar Tech**  
DBA SUN DOLLAR ENERGY  
3200 WELLINGTON COURT SUITE 101  
RALEIGH, NC 27615  
(919) 508-6907  
NC ELE LICENSE #: 30043U  
NC GC LICENSE #: 84770

PROJECT & CLIENT INFORMATION

**DIXON RESIDENCE  
NEW SOLAR PV SYSTEM**  
SYSTEM SIZE: 13.6 KW DC  
SYSTEM SIZE: 11.4 KW AC

**ROBIN DIXON**  
55 FARRAH SHEA WAY  
ANGIER, NC 27501  
(919) 961 0799

ENGINEER OF RECORD

DRAWING BY

**CST**

REVISIONS

DESCRIPTION	DATE	#	BY
RELEASED FOR PERMITTING	2/17/2021	1	CST

SHEET SIZE

**ANSI B  
11" X 17"**

DATE

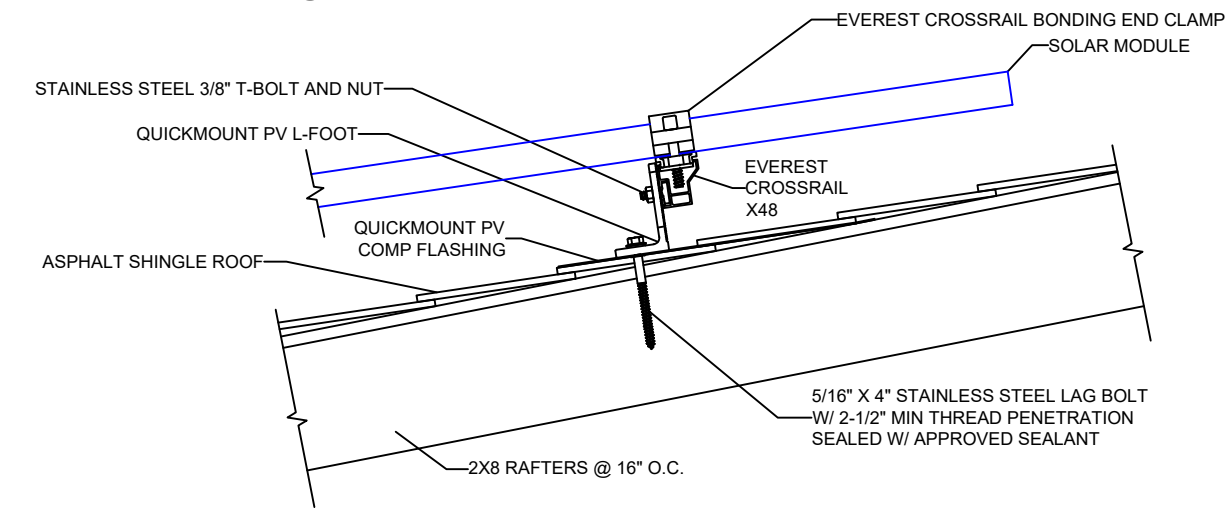
**2/17/2021**

SHEET NAME

**ROOF LAYOUT &  
DETAIL DRAWINGS**

SHEET NUMBER

**PV-2**



**SOLAR MOUNTING DETAIL**

**LEGEND**

UTILITY METER	DC DISCONNECT	PV METER	RAILS
MAIN SERVICE PANEL	JUNCTION BOX	EXTERIOR CONDUIT	GROUNDING
INVERTER	SUBPANEL	GAS METER	RAIL SPLICE
AC DISCONNECT	LOAD CENTER	FLASHINGS	



## Ampacity Calculations

Wiring Location: Module to Power Optimizer (Direct Current)  
 Wiring Location: Inverter to Service Entrance (Alternating Current)  
 All calculations show minimum sizing for ampacity  
 Actual wire sizing may be larger for voltage drop or other factors  
 All calculations are according to the 2017 National Electric Code

Modules: Hanwha Q-Peak DUO BLK-G6+  
 Inverter: SolarEdge SE11400H-US

### Initial Input Values

Isc (Short Circuit Current)	10.52				
Number of circuits	10.52	x	1	=	10.52
Maximum Circuit Current (NEC 690.8 (A)(1+2))	10.52	x	156%	=	16.4112
Minimum Overcurrent Device	20	A	Series Fuse Rating by Manufacturer		
	<b>Size AWG #</b>				
Chosen Conductor Type (THHN, RHW-2, or USE-2)	10				

### Conductor Derating

NEC 690.31 © ref (NEC 310.16)					
Conductor 90°C Ampacity	40				
Conduit Fill Derating	4-6	40	x	0.8	= 32
Temperature Derating (°F)	141-149	32	x	0.65	= 20.8

### Ampacity vs Overcurrent

<b>Device</b>					
Conductor Ampacity Check	20.8	16.4112			OK
Conductor to Overcurrent Check	20.8	20			OK

Input Data Into Yellow Fields

Green Field must say OK

Use this calculation for over current protection and wire sizing for stringers coming from Solar Panels.  
 Isc comes from manufacturer

## Ampacity Calculations

Wiring Location: Inverter to Service Entrance (Alternating Current)  
 All calculations show minimum sizing for ampacity  
 Actual wire sizing may be larger for voltage drop or other factors  
 All calculations are according to the 2017 National Electric Code

Modules: Hanwha Q-Peak DUO BLK-G6+  
 Inverter: SolarEdge SE11400H-US

### Initial Input Values

Inverter Continuous AC Output Combined (Watts)	11400				
Minimum Operating Voltage	240				
	Watts		Volts	=	Amps
	11400	/	240	=	47.5
Inverter Continuous AC Amps	47.5				
Number of Inverters	47.5	x	1	=	47.5

### Overcurrent Device Rating

NEC 690.8 (B)(3)	47.5	x	125%	=	59.375
Minimum Overcurrent Device	60	Amps			
Circuit Breaker Size per NEC 240.6(A)	60	Amps			
	<b>Size AWG #</b>				
Chosen Conductor Type	6				

Chosen Conductor Type  
 THHN, THWN, RHW-2 or USE-2

### Conductor Derating

NEC 690.31© ref (NEC 310.16)					
Conductor 90°C Ampacity	75				
Conduit Fill Derating	1-3	75	x	1	= 75
Temperature Derating (°F)	105-113	75	x	0.87	= 65.25

### Ampacity vs Overcurrent

<b>Device</b>					
Conductor Ampacity Check	65.25	59.375			OK
Conductor to Overcurrent Check	65.25	60			OK

Input Data into Yellow Fields

Green Fields must say OK

Use this calculation for over current protection and wire sizing for inverter

CONTRACTOR



**Covenant Solar Tech**

DBA SUN DOLLAR ENERGY  
 3200 WELLINGTON COURT SUITE 101  
 RALEIGH, NC 27615  
 (919) 508-6907  
 NC ELE LICENSE #: 30043U  
 NC GC LICENSE #: 84770

PROJECT & CLIENT INFORMATION

**DIXON RESIDENCE**  
**NEW SOLAR PV SYSTEM**  
 SYSTEM SIZE: 13.6 KW DC  
 SYSTEM SIZE: 11.4 KW AC

**ROBIN DIXON**  
 55 FARRAH SHEA WAY  
 ANGIER, NC 27501  
 (919) 961 0799

ENGINEER OF RECORD

DRAWING BY

CST

REVISIONS

DESCRIPTION	DATE	#	BY
RELEASED FOR PERMITTING	2/17/2021	1	CST

SHEET SIZE

ANSI B  
 11" X 17"

DATE

2/17/2021

SHEET NAME

AMPACITY  
 CALCULATIONS

SHEET NUMBER

PV-4

# PV LABELS

- SIGNAGE REQUIREMENTS
- > WARNING SIGNS OR LABELS SHALL COMPLY WITH NEC 110.21(B)
  - > MIN. 3/8" LETTER HEIGHT
  - > ALL CAPITAL LETTERS
  - > ARIAL OR SIMILAR FONT
  - > REFLECTIVE, WEATHER RESISTANT MATERIAL, UL 969

**PHOTOVOLTAIC SYSTEM**  
**DC DISCONNECT**

MAX SYSTEM VOLTAGE    VDC  
 MAX CIRCUIT CURRENT    AMPS

NEC 690.53 1  
 APPLY TO:  
 INVERTER

**WARNING: PHOTOVOLTAIC POWER SOURCE**

NEC 690.31(G)(3)(4) 2  
 APPLY TO:  
 SOLAR DC RACEWAYS  
 DC JUNCTION BOXES

**SOLAR PV SYSTEM EQUIPPED WITH RAPID SHUTDOWN**

TURN RAPID SHUTDOWN SWITCH TO THE "OFF" POSITION TO SHUT DOWN PV SYSTEM AND REDUCE SHOCK HAZARD IN THE ARRAY

NEC 690.56(C)(1)(a) 3  
 APPLY TO:  
 MAIN SERVICE DISCONNECT

**WARNING**

ELECTRIC SHOCK HAZARD

TERMINALS ON THE LINE AND LOAD SIDES MAY BE ENERGIZED IN THE OPEN POSITION

NEC 690.13(B) 4  
 APPLY TO:  
 DISCONNECTS  
 COMBINER BOXES

**RAPID SHUTDOWN SWITCH FOR SOLAR PV SYSTEM**

NEC 690.56(C)(3) 5  
 APPLY TO:  
 INVERTERS

**PHOTOVOLTAIC SYSTEM**  
**AC DISCONNECT**

OPERATING VOLTAGE    VAC  
 OPERATING CURRENT    AMPS

NEC 690.54 6  
 APPLY TO:  
 AC DISCONNECT

**WARNING**

THIS EQUIPMENT FED BY MULTIPLE SOURCES. TOTAL RATING OF ALL OVERCURRENT DEVICES, EXCLUDING MAIN SUPPLY OVERCURRENT DEVICE, SHALL NOT EXCEED AMPACITY OF BUSBAR

NEC 705.12 (B)(2)(3)(c) 11  
 APPLY TO:  
 SERVICE PANEL(S)

**SOLAR PV BREAKER**  
 BREAKER IS BACKFED  
 DO NOT RELOCATE

NEC 705.12(B)(2)(3)(b) 8  
 APPLY TO:  
 PV SYSTEM BREAKER

**WARNING**

DUAL POWER SUPPLY

SOURCES: UTILITY GRID AND PV SOLAR ELECTRIC SYSTEM

NEC 705.12(D)(3) 9  
 APPLY TO:  
 MAIN SERVICE PANEL  
 METER

**DC JUNCTION BOX**

**WARNING**

ELECTRIC SHOCK HAZARD

THE DC CONDUCTORS OF THIS PHOTOVOLTAIC SYSTEM ARE UNGROUNDED AND MAY BE ENERGIZED

PHOTOVOLTAIC POWER SOURCE

NEC 690.31(G)(2) 10  
 APPLY TO:  
 DC JUNCTION BOXES

**WARNING**

PHOTOVOLTAIC SYSTEM COMBINER PANEL

DO NOT ADD LOADS

NEC 705.12(D)(3) 11  
 APPLY TO:  
 MAIN SERVICE PANEL  
 METER

**WARNING**

THE DISCONNECTION OF THE GROUNDED CONDUCTOR(S) MAY RESULT IN OVERVOLTAGE ON THE EQUIPMENT

NEC 690.31 (I) 12  
 APPLY TO:  
 INVERTER(S)

**MAIN PV SYSTEM DISCONNECT**

NEC 690.13 (B) 13  
 APPLY TO:  
 MAIN AC DISCONNECT

CONTRACTOR

**Covenant Solar Tech**

DBA SUN DOLLAR ENERGY  
 3200 WELLINGTON COURT SUITE 101  
 RALEIGH, NC 27615  
 (919) 508-6907  
 NC ELE LICENSE #: 30043U  
 NC GC LICENSE #: 84770

PROJECT & CLIENT INFORMATION

**DIXON RESIDENCE**  
**NEW SOLAR PV SYSTEM**  
 SYSTEM SIZE: 13.6 KW DC  
 SYSTEM SIZE: 11.4 KW AC

**ROBIN DIXON**  
 55 FARRAH SHEA WAY  
 ANGIER, NC 27501  
 (919) 961 0799

ENGINEER OF RECORD

---

DRAWING BY

**CST**

REVISIONS

DESCRIPTION	DATE	#	BY
RELEASED FOR PERMITTING	2/17/2021	1	CST

SHEET SIZE

**ANSI B**  
11" X 17"

DATE

2/17/2021

SHEET NAME

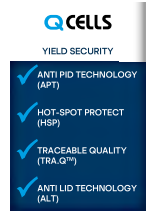
**LABELING SCHEDULE**

SHEET NUMBER

**PV-5**

# Q.PEAK DUO BLK-G6+ 330-345

ENDURING HIGH  
PERFORMANCE



### Q.ANTUM TECHNOLOGY: LOW LEVELIZED COST OF ELECTRICITY

Higher yield per surface area, lower BOS costs, higher power classes, and an efficiency rate of up to 19.5%.



### INNOVATIVE ALL-WEATHER TECHNOLOGY

Optimal yields, whatever the weather with excellent low-light and temperature behavior.



### ENDURING HIGH PERFORMANCE

Long-term yield security with Anti LID and Anti PID Technology<sup>1</sup>, Hot-Spot Protect and Traceable Quality Tra.Q™.



### EXTREME WEATHER RATING

High-tech aluminum alloy frame, certified for high snow (5400 Pa) and wind loads (4000 Pa).



### A RELIABLE INVESTMENT

Inclusive 25-year product warranty and 25-year linear performance warranty<sup>2</sup>.



### STATE OF THE ART MODULE TECHNOLOGY

Q.ANTUM DUO combines cutting edge cell separation and innovative wiring with Q.ANTUM Technology.

<sup>1</sup> APT test conditions according to IEC/TS 62804-1:2015, method B (-1500 V, 168h)

<sup>2</sup> See data sheet on rear for further information

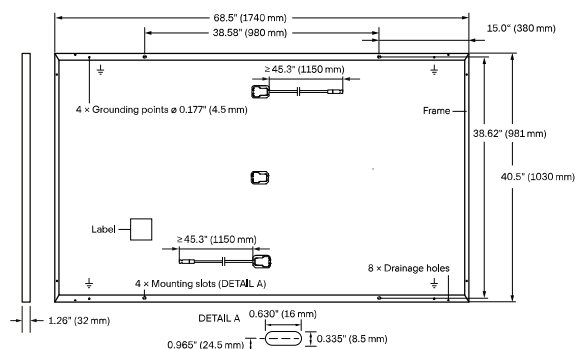
### THE IDEAL SOLUTION FOR:



Rooftop arrays on residential buildings

## MECHANICAL SPECIFICATION

Format	68.5 × 40.6 × 1.26 in (including frame) (1740 × 1030 × 32 mm)
Weight	43.9 lbs (19.9 kg)
Front Cover	0.13 in (3.2 mm) thermally pre-stressed glass with anti-reflection technology
Back Cover	Composite film
Frame	Black anodized aluminum
Cell	6 × 20 monocrystalline Q.ANTUM solar half cells
Junction Box	2.09-3.98 × 1.26-2.36 × 0.59-0.71 in (53-101 × 32-60 × 15-18 mm), Protection class IP67, with bypass diodes
Cable	4 mm <sup>2</sup> Solar cable; (+) ≥ 45.3 in (1150 mm), (-) ≥ 45.3 in (1150 mm)
Connector	Stäubli MC4, Hanwha Q CELLS HQC4, Amphenol UTX, Renhe 05-6, Tongling TL-Cable01S, JMTHY JM601; IP68 or Friends PV2e; IP67

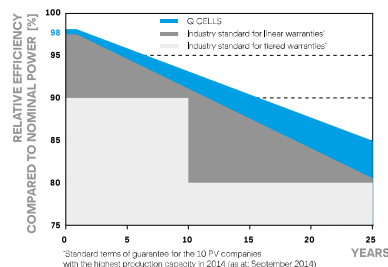


## ELECTRICAL CHARACTERISTICS

POWER CLASS			330	335	340	345
MINIMUM PERFORMANCE AT STANDARD TEST CONDITIONS, STC <sup>1</sup> (POWER TOLERANCE +5 W / -0 W)						
Minimum	Power at MPP <sup>1</sup>	P <sub>MPP</sub> [W]	330	335	340	345
	Short Circuit Current <sup>1</sup>	I <sub>SC</sub> [A]	10.41	10.47	10.52	10.58
	Open Circuit Voltage <sup>1</sup>	V <sub>OC</sub> [V]	40.15	40.41	40.66	40.92
	Current at MPP	I <sub>MPP</sub> [A]	9.91	9.97	10.02	10.07
	Voltage at MPP	V <sub>MPP</sub> [V]	33.29	33.62	33.94	34.25
	Efficiency <sup>1</sup>	η [%]	≥ 18.4	≥ 18.7	≥ 19.0	≥ 19.3
MINIMUM PERFORMANCE AT NORMAL OPERATING CONDITIONS, NMOT <sup>2</sup>						
Minimum	Power at MPP	P <sub>MPP</sub> [W]	247.0	250.7	254.5	258.2
	Short Circuit Current	I <sub>SC</sub> [A]	8.39	8.43	8.48	8.52
	Open Circuit Voltage	V <sub>OC</sub> [V]	37.86	38.10	38.34	38.59
	Current at MPP	I <sub>MPP</sub> [A]	7.80	7.84	7.89	7.93
	Voltage at MPP	V <sub>MPP</sub> [V]	31.66	31.97	32.27	32.57

<sup>1</sup>Measurement tolerances P<sub>MPP</sub> ± 3%; I<sub>SC</sub>; V<sub>OC</sub> ± 5% at STC: 1000 W/m<sup>2</sup>, 25 ± 2°C, AM 1.5 according to IEC 60904-3 • 800 W/m<sup>2</sup>, NMOT, spectrum AM 1.5

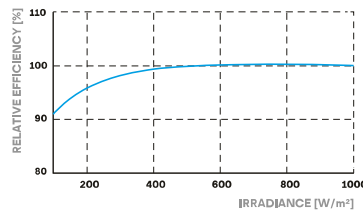
### Q CELLS PERFORMANCE WARRANTY



At least 98% of nominal power during first year. Thereafter max. 0.54% degradation per year. At least 93.1% of nominal power up to 10 years. At least 85% of nominal power up to 25 years.

All data within measurement tolerances. Full warranties in accordance with the warranty terms of the Q CELLS sales organization of your respective country.

### PERFORMANCE AT LOW IRRADIANCE



Typical module performance under low irradiance conditions in comparison to STC conditions (25°C, 1000 W/m<sup>2</sup>)

### TEMPERATURE COEFFICIENTS

Temperature Coefficient of I <sub>SC</sub>	α [%/K]	+0.04	Temperature Coefficient of V <sub>OC</sub>	β [%/K]	-0.27
Temperature Coefficient of P <sub>MPP</sub>	γ [%/K]	-0.36	Normal Module Operating Temperature	NMOT [°F]	109 ± 5.4 (43 ± 3°C)

## PROPERTIES FOR SYSTEM DESIGN

Maximum System Voltage V <sub>sys</sub>	[V]	1000 (IEC)/1000 (UL)	Safety Class	II
Maximum Series Fuse Rating	[A DC]	20	Fire Rating based on ANSI / UL 1703	C (IEC)/TYPE 2 (UL)
Max. Design Load, Push / Pull <sup>3</sup>	[lbs / ft <sup>2</sup> ]	75 (3600 Pa) / 55 (2667 Pa)	Permitted Module Temperature on Continuous Duty	-40°F up to +185°F (-40°C up to +85°C)
Max. Test Load, Push / Pull <sup>3</sup>	[lbs / ft <sup>2</sup> ]	113 (5400 Pa) / 84 (4000 Pa)		

<sup>3</sup>See Installation Manual

## QUALIFICATIONS AND CERTIFICATES

UL 1703, VDE Quality Tested, CE-compliant, IEC 61215:2016, IEC 61730:2016, Application Class II, U.S. Patent No. 9,893,215 (solar cells)



## PACKAGING INFORMATION

Number of Modules per Pallet	32
Number of Pallets per 53' Trailer	28
Number of Pallets per 40' HC-Container	24
Pallet Dimensions (L × W × H)	71.5 × 45.3 × 48.0 in (1815 × 1150 × 1220 mm)
Pallet Weight	1505 lbs (683 kg)

**Note:** Installation instructions must be followed. See the installation and operating manual or contact our technical service department for further information on approved installation and use of this product.

Hanwha Q CELLS America Inc.

400 Spectrum Center Drive, Suite 1400, Irvine, CA 92618, USA | TEL +1 949 748 59 96 | EMAIL inquiry@us.q-cells.com | WEB www.q-cells.us



# Single Phase Inverter with HD-Wave Technology

for North America

SE3000H-US / SE3800H-US / SE5000H-US / SE6000H-US /  
SE7600H-US / SE10000H-US / SE11400H-US



## Optimized installation with HD-Wave technology

- / Specifically designed to work with power optimizers
- / Record-breaking efficiency
- / Quick and easy inverter commissioning directly from a smartphone using the SolarEdge SetApp
- / Fixed voltage inverter for longer strings
- / Integrated arc fault protection and rapid shutdown for NEC 2014 and 2017, per article 690.11 and 690.12
- / UL1741 SA certified, for CPUC Rule 21 grid compliance
- / Extremely small
- / Built-in module-level monitoring
- / Outdoor and indoor installation
- / Optional: Revenue grade data, ANSI C12.20 Class 0.5 (0.5% accuracy)

# / Single Phase Inverter with HD-Wave Technology for North America

SE3000H-US / SE3800H-US / SE5000H-US / SE6000H-US/  
SE7600H-US / SE10000H-US / SE11400H-US

Model Number	SE3000H-US	SE3800H-US	SE5000H-US	SE6000H-US	SE7600H-US	SE10000H-US	SE11400H-US	
APPLICABLE TO INVERTERS WITH PART NUMBER	SEXXXXH-XXXXXBXX4							
<b>OUTPUT</b>								
Rated AC Power Output	3000	3800 @ 240V 3300 @ 208V	5000	6000 @ 240V 5000 @ 208V	7600	10000	11400 @ 240V 10000 @ 208V	VA
Maximum AC Power Output	3000	3800 @ 240V 3300 @ 208V	5000	6000 @ 240V 5000 @ 208V	7600	10000	11400 @ 240V 10000 @ 208V	VA
AC Output Voltage Min.-Nom.-Max. (211 - 240 - 264)	✓	✓	✓	✓	✓	✓	✓	Vac
AC Output Voltage Min.-Nom.-Max. (183 - 208 - 229)	-	✓	-	✓	-	-	✓	Vac
AC Frequency (Nominal)	59.3 - 60 - 60.5 <sup>(1)</sup>							Hz
Maximum Continuous Output Current @240V	12.5	16	21	25	32	42	47.5	A
Maximum Continuous Output Current @208V	-	16	-	24	-	-	48.5	A
Power Factor	1, adjustable -0.85 to 0.85							
GFDI Threshold	1							A
Utility Monitoring, Islanding Protection, Country Configurable Thresholds	Yes							
<b>INPUT</b>								
Maximum DC Power @240V	4650	5900	7750	9300	11800	15500	17650	W
Maximum DC Power @208V	-	5100	-	7750	-	-	15500	W
Transformer-less, Ungrounded	Yes							
Maximum Input Voltage	480							Vdc
Nominal DC Input Voltage	380				400			Vdc
Maximum Input Current @240V <sup>(2)</sup>	8.5	10.5	13.5	16.5	20	27	30.5	Adc
Maximum Input Current @208V <sup>(2)</sup>	-	9	-	13.5	-	-	27	Adc
Max. Input Short Circuit Current	45							Adc
Reverse-Polarity Protection	Yes							
Ground-Fault Isolation Detection	600k $\Omega$ Sensitivity							
Maximum Inverter Efficiency	99	99.2						%
CEC Weighted Efficiency	99						99 @ 240V 98.5 @ 208V	%
Nighttime Power Consumption	< 2.5							W

<sup>(1)</sup> For other regional settings please contact SolarEdge support

<sup>(2)</sup> A higher current source may be used; the inverter will limit its input current to the values stated

# / Single Phase Inverter with HD-Wave Technology for North America

SE3000H-US / SE3800H-US / SE5000H-US / SE6000H-US/  
SE7600H-US / SE10000H-US / SE11400H-US

Model Number	SE3000H-US	SE3800H-US	SE5000H-US	SE6000H-US	SE7600H-US	SE10000H-US	SE11400H-US	
<b>ADDITIONAL FEATURES</b>								
Supported Communication Interfaces	RS485, Ethernet, ZigBee (optional), Cellular (optional)							
Revenue Grade Data, ANSI C12.20	Optional <sup>(3)</sup>							
Inverter Commissioning	with the SetApp mobile application using built-in Wi-Fi Access Point for local connection							
Rapid Shutdown - NEC 2014 and 2017 690.12	Automatic Rapid Shutdown upon AC Grid Disconnect							
<b>STANDARD COMPLIANCE</b>								
Safety	UL1741, UL1741 SA, UL1699B, CSA C22.2, Canadian AFCI according to T.I.L. M-07							
Grid Connection Standards	IEEE1547, Rule 21, Rule 14 (HI)							
Emissions	FCC Part 15 Class B							
<b>INSTALLATION SPECIFICATIONS</b>								
AC Output Conduit Size / AWG Range	1" Maximum / 14-6 AWG				1" Maximum /14-4 AWG			
DC Input Conduit Size / # of Strings / AWG Range	1" Maximum / 1-2 strings / 14-6 AWG				1" Maximum / 1-3 strings / 14-6 AWG			
Dimensions with Safety Switch (HxWxD)	17.7 x 14.6 x 6.8 / 450 x 370 x 174				21.3 x 14.6 x 7.3 / 540 x 370 x 185			in / mm
Weight with Safety Switch	22 / 10	25.1 / 11.4	26.2 / 11.9	38.8 / 17.6			lb / kg	
Noise	< 25				<50			dBA
Cooling	Natural Convection							
Operating Temperature Range	-40 to +140 / -40 to +60 <sup>(4)</sup>							°F / °C
Protection Rating	NEMA 4X (Inverter with Safety Switch)							

<sup>(3)</sup> Revenue grade inverter P/N: SExxxxH-US000BNC4

<sup>(4)</sup> Full power up to at least 50°C / 122°F; for power de-rating information refer to: <https://www.solaredge.com/sites/default/files/se-temperature-derating-note-na.pdf>

---

# Power Optimizer

For North America

P320 / P340 / P370 / P400 / P405 / P505

POWER OPTIMIZER



## PV power optimization at the module-level

- Specifically designed to work with SolarEdge inverters
- Up to 25% more energy
- Superior efficiency (99.5%)
- Mitigates all types of module mismatch losses, from manufacturing tolerance to partial shading
- Flexible system design for maximum space utilization
- Fast installation with a single bolt
- Next generation maintenance with module-level monitoring
- Meets NEC requirements for arc fault protection (AFCI) and Photovoltaic Rapid Shutdown System (PVRSS)
- Module-level voltage shutdown for installer and firefighter safety

# / Power Optimizer

## For North America

P320 / P340 / P370 / P400 / P405 / P505

Optimizer model (typical module compatibility)	P320 (for 60-cell modules)	P340 (for high-power 60-cell modules)	P370 (for higher-power 60 and 72-cell modules)	P400 (for 72 & 96-cell modules)	P405 (for thin film modules)	P505 (for higher current modules)	
<b>INPUT</b>							
Rated Input DC Power <sup>(1)</sup>	320	340	370	400	405	505	W
Absolute Maximum Input Voltage (Voc at lowest temperature)	48		60	80	125 <sup>(2)</sup>	83 <sup>(2)</sup>	Vdc
MPPT Operating Range	8 - 48		8 - 60	8 - 80	12.5 - 105	12.5 - 83	Vdc
Maximum Short Circuit Current (Isc)	11			10.1		14	Adc
Maximum DC Input Current	13.75			12.63		17.5	Adc
Maximum Efficiency	99.5						%
Weighted Efficiency	98.8					98.6	%
Oversoltage Category	II						
<b>OUTPUT DURING OPERATION (POWER OPTIMIZER CONNECTED TO OPERATING SOLAREEDGE INVERTER)</b>							
Maximum Output Current	15						Adc
Maximum Output Voltage	60			85			Vdc
<b>OUTPUT DURING STANDBY (POWER OPTIMIZER DISCONNECTED FROM SOLAREEDGE INVERTER OR SOLAREEDGE INVERTER OFF)</b>							
Safety Output Voltage per Power Optimizer	1 ± 0.1						Vdc
<b>STANDARD COMPLIANCE</b>							
EMC	FCC Part15 Class B, IEC61000-6-2, IEC61000-6-3						
Safety	IEC62109-1 (class II safety), UL1741						
RoHS	Yes						
<b>INSTALLATION SPECIFICATIONS</b>							
Maximum Allowed System Voltage	1000						Vdc
Compatible inverters	All SolarEdge Single Phase and Three Phase inverters						
Dimensions (W x L x H)	129 x 153 x 27.5 / 5.1 x 6 x 1.1			129 x 153 x 33.5 / 5.1 x 6 x 1.3	129 x 159 x 49.5 / 5.1 x 6.3 x 1.9	129 x 162 x 59 / 5.1 x 6.4 x 2.3	mm / in
Weight (including cables)	630 / 1.4			750 / 1.7	845 / 1.9	1064 / 2.3	gr / lb
Input Connector	MC4 <sup>(3)</sup>						
Output Wire Type / Connector	Double Insulated; MC4						
Output Wire Length	0.95 / 3.0		1.2 / 3.9				m / ft
Input Wire Length	0.16 / 0.52						m / ft
Operating Temperature Range	-40 - +85 / -40 - +185						°C / °F
Protection Rating	IP68 / NEMA6P						
Relative Humidity	0 - 100						%

<sup>(1)</sup> Rated STC power of the module. Module of up to +5% power tolerance allowed

<sup>(2)</sup> NEC 2017 requires max input voltage be not more than 80V

<sup>(3)</sup> For other connector types please contact SolarEdge

PV System Design Using a SolarEdge Inverter <sup>(4)(5)</sup>	Single Phase HD-Wave	Single phase	Three Phase 208V	Three Phase 480V	
Minimum String Length (Power Optimizers)	P320, P340, P370, P400 P405 / P505	8	10	18	
Maximum String Length (Power Optimizers)		6	8	14	
Maximum String Length (Power Optimizers)		25	25	50 <sup>(6)</sup>	
Maximum Power per String	5700 (6000 with SE7600-US - SE11400-US)	5250	6000 <sup>(7)</sup>	12750 <sup>(8)</sup>	W
Parallel Strings of Different Lengths or Orientations	Yes				

<sup>(4)</sup> For detailed string sizing information refer to: [http://www.solaredge.com/sites/default/files/string\\_sizing\\_na.pdf](http://www.solaredge.com/sites/default/files/string_sizing_na.pdf)

<sup>(5)</sup> It is not allowed to mix P405/P505 with P320/P340/P370/P400 in one string

<sup>(6)</sup> A string with more than 30 optimizers does not meet NEC rapid shutdown requirements; safety voltage will be above the 30V requirement

<sup>(7)</sup> For SE14.4KUS/SE43.2KUS: It is allowed to install up to 6,500W per string when 3 strings are connected to the inverter (3 strings per unit for SE43.2KUS) and when the maximum power difference between the strings is up to 1,000W

<sup>(8)</sup> For SE30KUS/SE33.3KUS/SE66.6KUS/SE100KUS: It is allowed to install up to 15,000W per string when 3 strings are connected to the inverter (3 strings per unit for SE66.6KUS/SE100KUS) and when the maximum power difference between the strings is up to 2,000W

## Eaton general duty cartridge fuse safety switch

DG222NRB

UPC:782113144221

### Dimensions:

- **Height:** 14.37 IN
- **Length:** 7.35 IN
- **Width:** 8.4 IN

**Weight:**10 LB

**Notes:**Maximum hp ratings apply only when dual element fuses are used. 3-Phase hp rating shown is a grounded B phase rating, UL listed.

### Warranties:

- Eaton Selling Policy 25-000, one (1) year from the date of installation of the Product or eighteen (18) months from the date of shipment of the Product, whichever occurs first.

### Specifications:

- **Type:** General duty, cartridge fused
- **Amperage Rating:** 60A
- **Enclosure:** NEMA 3R
- **Enclosure Material:** Painted galvanized steel
- **Fuse Class Provision:** Class H fuses
- **Fuse Configuration:** Fusible with neutral
- **Number Of Poles:** Two-pole
- **Number Of Wires:** Three-wire
- **Product Category:** General duty safety switch
- **Voltage Rating:** 240V

### Supporting documents:

- [Eatons Volume 2-Commercial Distribution](#)
- [Eaton Specification Sheet - DG222NRB](#)

### Certifications:

- UL Listed

**Product compliance:** No Data





RSTC Enterprises, Inc.  
2214 Heimstead Road  
Eau Claire, WI 54703  
715-830-9997



## Outdoor Photovoltaic Enclosures

Composition/Cedar Roof System

### ETL listed and labeled

Report # 3171411PRT-002 Revised May, 2018

- UL50 Type 3R, 11 Edition Electrical equipment enclosures
- CSA C22.2 No. 290 Nema Type 3R
- Conforms to UL 1741 Standard

### 0799 Series Includes:

- |          |                  |
|----------|------------------|
| 0799 - 2 | Wire size 2/0-14 |
| 0799 - 5 | Wire size 14-6   |
| 0799 - D | Wire size 14-8   |

Models available in Grey, Black or Stainless Steel

### Basic Specifications

Material options:

- Powder coated, 18 gauge galvanized 90 steel (1,100 hours salt spray)
- Stainless steel

Process - Seamless draw (stamped)

Flashing - 15.25" x 17.25"

Height - 3"

Cavity - 255 Cubic inches

### Base Plate:

- Fastened to base using toggle fastening system
- 5 roof deck knockouts
- Knockout sizes: (3) .5", (1) .75" and (1) 1"
- 8", 35mm slotted din rail
- Ground Block

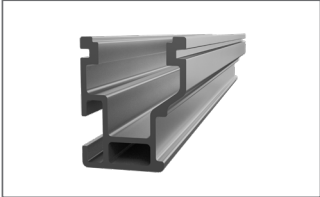
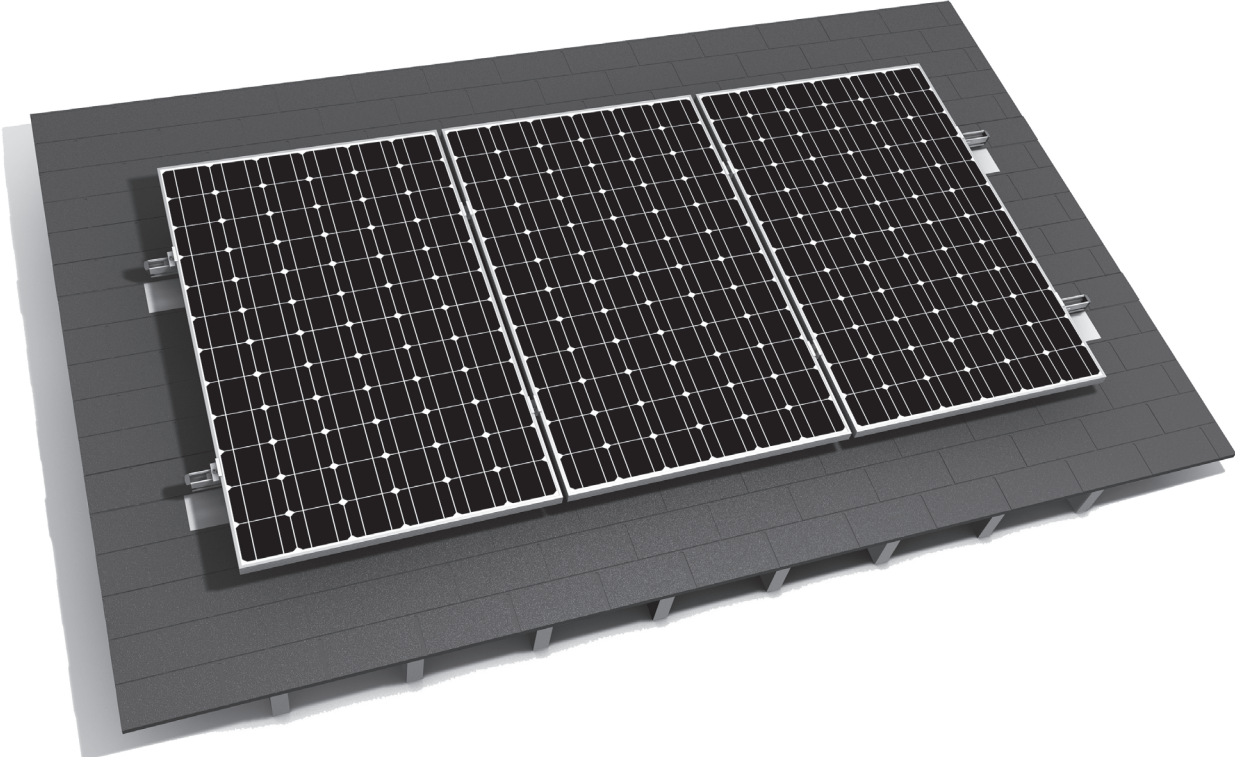
Passthrough and combiner kits are available for either AC or DC applications.

## 0799 Series





# Mounting systems for solar technology



EVEREST SOLAR SYSTEMS  
**RESIDENTIAL ROOF SOLUTIONS**  
**CROSSRAIL SYSTEM**

Everest Solar Systems, LLC  
3809 Ocean Ranch Blvd., Suite 111  
Oceanside, CA 92056  
Service-Hotline +1.760.301.5300  
info@everest-solarsystems.com  
www.everest-solarsystems.com

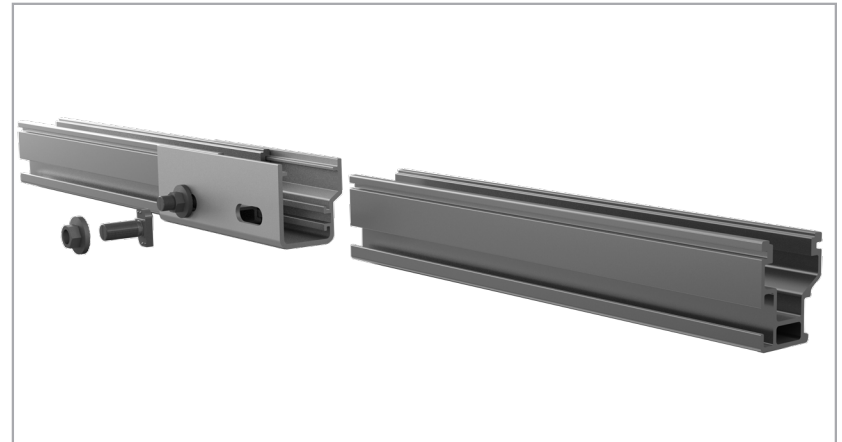
# CROSSRAIL SYSTEM



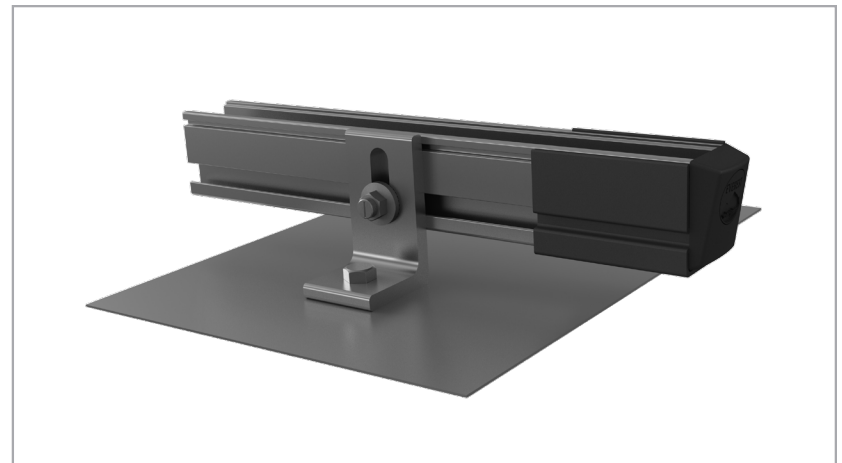
- ▶ High quality, German-engineered system optimized for residential installation
- ▶ MK3 mounting hardware simplifies module installation – fast, easy, and secure
- ▶ Easily integrates with third party roof attachment products
- ▶ L-foot provides adjustability and compatibility with common roof types
- ▶ 100% code-compliant, structural validation for all solar states
- ▶ Three rail sizes available to suit all structural conditions
- ▶ Most components also available in dark
- ▶ Fast installation with minimal component count result in low total installed cost
- ▶ Simple to design using code compliant Everest Online Design Tool
- ▶ Use two innovative components to turn this system into Shared Rail or Tilt Up

## TECHNICAL DATA

Applicable roof types	Composition shingle, tile, flat tile
Flexibility	Modular construction, suitable for any system size, height adjustable
PV modules	For all common module types
Module orientation	Portrait and landscape
Material	High corrosion resistance, stainless steel and high grade aluminum
Roof attachment	Screw connection into rafter
Structural validity	IBC compliant, stamped engineering letters available for all solar states
Warranty	20 years
System components	CrossRail 48-X/48-XL/80, L-Foot, Mid and End Clamp Sets



CrossRail Structural Splice

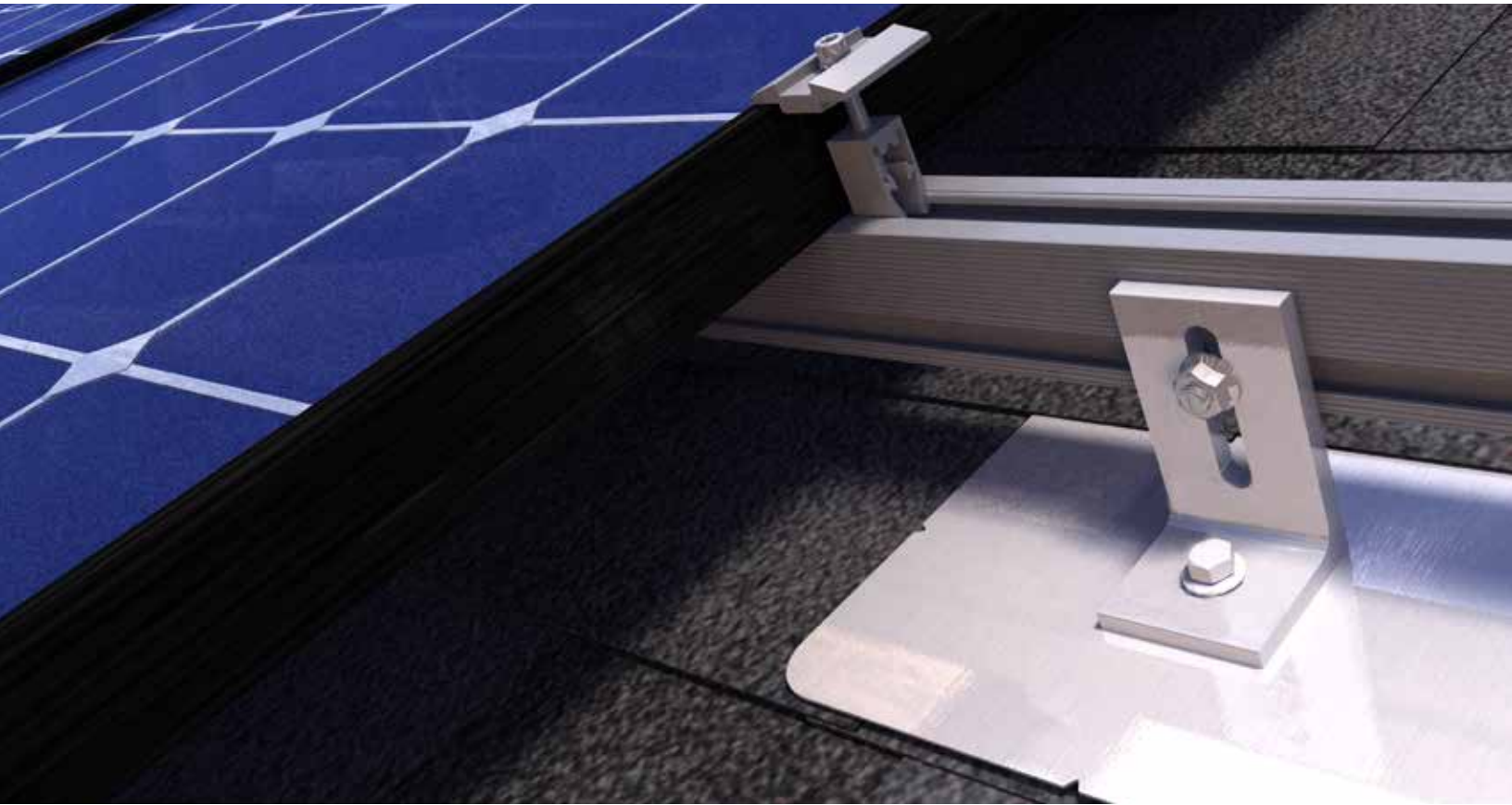


CrossRail with EverFlash, Rail Sleeve and End Cap



Bonding Mid Clamp | End Clamp | Micro, Optimizer & Accs Mounting Kit

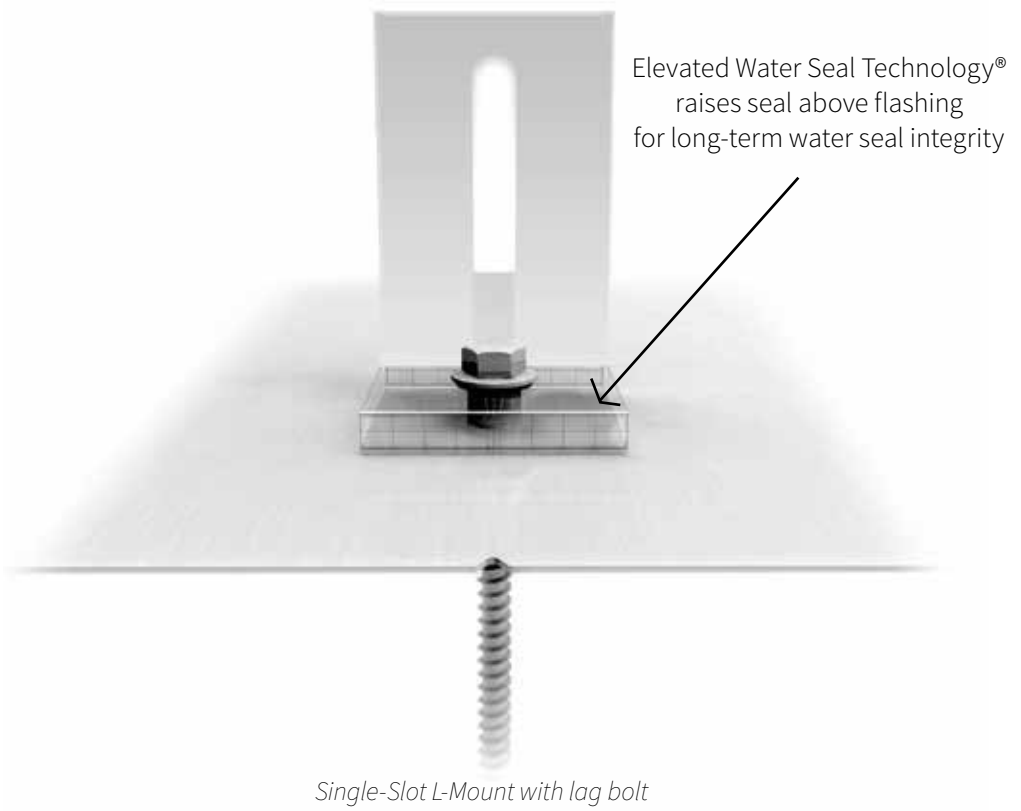
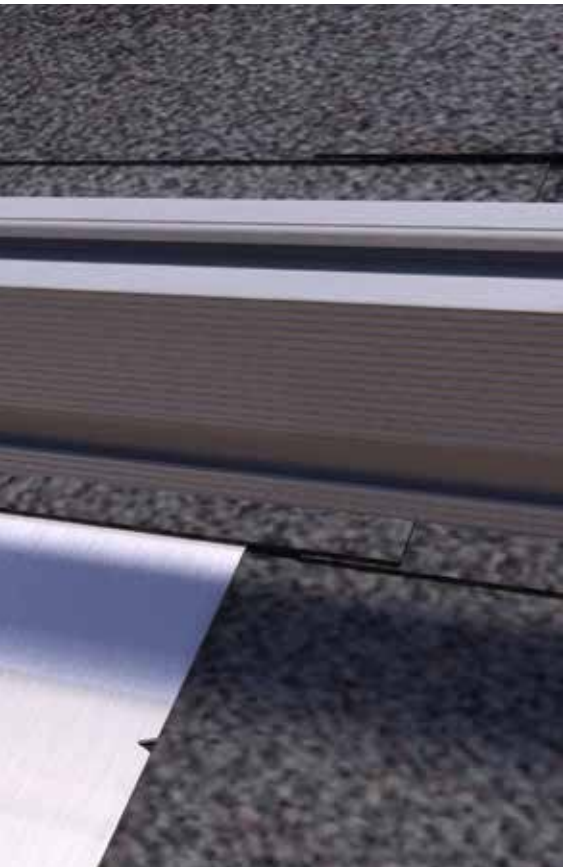
# L-Mount® Series



The L-Mount® Series is designed for cost-effective, one-bolt installation onto existing composition/asphalt shingle roofs. Quick Mount PV engineered its patented Elevated Water Seal Technology® into an integrated L-foot and flashing for super-fast, single-lag bolt installation with unparalleled waterproofing. The L-Mount comes with a lag bolt or structural screw for attachment versatility and works with all leading racks. The L-Mount features a 9" x 12" aluminum flashing with alignment guides and rounded corners to easily slide under shingles and speed installation on the roof.

## FEATURES

- L-foot can be rotated 360 degree for optimal adjustability
- Works with all leading racks
- Available with lag bolt or structural screw
- QBlock® Elevated Water Seal Technology®
- Single bolt installation, no shingle cutting
- 9" x 12" aluminum flashing
- Meets or exceeds roofing industry best practices; 100% IBC compliant
- 18-8 stainless steel hardware included
- Alignment guides
- 25-year warranty



## SINGLE-SLOT L-MOUNT

Available finishes:  
aluminum mill (A); black (B)