

NEW PHOTOVOLTAIC SYSTEM 11.72 KW DC 1082 MELODY LANE, CAMERON, NC 28326, USA

GENERAL NOTES

- 1.1.1 PROJECT NOTES:**
 1.1.2 THISPHOTOVOLTAIC (PV) SYSTEM SHALL COMPLY WITH THE NATIONAL ELECTRIC CODE (NEC) ARTICLE 690, ALL MANUFACTURERS'S LISTING AND INSTALLATION INSTRUCTIONS, AND THE RELEVANT CODES AS SPECIFIED BY THE AUTHORITY HAVING JURISDICTION'S (AHJ) APPLICABLE CODES.
 1.1.3 THE UTILITY INTERCONNECTION APPLICATION MUST BE APPROVED AND PV SYSTEM INSPECTED PRIOR TO PARALLEL OPERATION
 1.1.4 GROUND FAULT DETECTION AND INTERRUPTION (GFDI) DEVICE IS INTEGRATED WITH THE MICROINVERTER IN ACCORDANCE WITH NEC 690.41(B)
 1.1.5 ALL PV SYSTEM COMPONENTS; MODULES, UTILITY-INTERACTIVE INVERTERS, AND SOURCE CIRCUIT COMBINER BOXES ARE IDENTIFIED AND LISTED FOR USE IN PHOTOVOLTAIC SYSTEMS AS REQUIRED BY NEC 690.4: PV MODULES: UL1703, IEC61730, AND IEC61215, AND NFPA 70 CLASS C FIRE INVERTERS: UL 1741 CERTIFIED, IEEE 1547, 929, 519 COMBINER BOX(ES): UL 1703 OR UL 1741 ACCESSORY
 1.1.6 MAX DC VOLTAGE CALCULATED USING MANUFACTURER PROVIDED TEMP COEFFICIENT FOR VOC. IF UNAVAILABLE, MAX DC VOLTAGE CALCULATED ACCORDING TO NEC 690.7.
 1.1.7 ALL INVERTERS, PHOTOVOLTAIC MODULES,PHOTOVOLTAIC PANELS, AND SOURCE CIRCUIT COMBINERS INTENDED FOR USE IN A PHOTOVOLTAIC POWER SYSTEM WILL BE IDENTIFIED AND LISTED FOR THE APPLICATIONPER 690.4 (D). SHALL BE INSTALLED ACCORDING TO ANY INSTRUCTIONS FROM LISTING OR LABELING [NEC 110.3].
 1.1.8 ALL SIGNAGE TO BE PLACED IN ACCORDANCE WITH LOCAL BUILDING CODE. IF EXPOSED TO SUNLIGHT, IT SHALL BE UV RESISTANT. ALL PLAQUES AND SIGNAGE WILL BE INSTALLED AS REQUIRED BY THE NEC AND AHJ.
- 1.2.1 SCOPE OF WORK:**
 1.2.2 PRIME CONTRACTOR IS RESPONSIBLE FOR THE DESIGN AND SPECIFICATIONS OF THE GRID-TIED PHOTOVOLTAIC SYSTEM RETROFIT. PRIME CONTRACTOR WILL BE RESPONSIBLE FOR COLLECTING EXISTING ONSITE REQUIREMENTS TO DESIGN, SPECIFY, AND INSTALL THE EXTERIOR ROOF-MOUNTED PORTION OF THE PHOTOVOLTAIC SYSTEMS DETAILED IN THIS DOCUMENT
 1.2.3 Battery: (01)TESLA POWERWALL 2, 5 KW, 13.5WH NEMA 3R
- 1.3.1 WORK INCLUDES:**
 1.3.2 PV RACKING SYSTEM INSTALLATION - UNIRAC SOLAR
 1.3.3 PV MODULE AND INVERTER INSTALLATION - LG ELECTRONICS LG355N1C-N5 / ENPHASE INVERTER/ TESLA POWERWALL 2
 1.3.4 PV EQUIPMENT ROOF MOUNT
 1.3.5 PV SYSTEM WIRING TO A ROOF-MOUNTED JUNCTION BOX
 1.3.6 PV LOAD CENTERS (IF INCLUDED)
 1.3.7 PV METERING/MONITORING (IF INCLUDED)
 1.3.8 PV DISCONNECTS
 1.3.9 PV GROUNDING ELECTRODE & BONDING TO (E) GEC
 1.3.10 PV FINAL COMMISSIONING
 1.3.11 (E) ELECTRICAL EQUIPMENT RETROFIT FOR PV 1.3.13 SIGNAGE PLACED IN ACCORDANCE WITH LOCAL BUILDING CODE



651 W. GALENA PARK BLVD. STE. 101 DRAPER, UTAH 84020 PHONE (801) 990-1775 WWW.VECTORSE.COM



01/13/2021

Firm License Number: COA #P-0742
 VSE Project Number: U3573.3484.201

Vector Structural Engineering has reviewed the existing structure with loading from the solar array and lag screw connections to the existing framing. The design of the racking system, connections, and all other structure is by others. Mechanical, architectural, and all other nonstructural aspects of the design are by others. Electrical is by others, unless stamped by Dean Levorsen.

PROJECT INFORMATION

OWNER
 NAME: REGINALD WATSON

PROJECT MANAGER
 NAME: MATTHEW WEBB
 PHONE: 5052180838

CONTRACTOR NAME
 MARC JONES CONSTRUCTION,
 LLC DBA SUNPRO SOLAR
 PHONE: 5052180838

SCOPE OF WORK

SYSTEM SIZE: STC:33 X 355W= 11.72 kW DC
 PTC: 33 x 332.8W = 10.98 kW DC
 (33) LG ELECTRONICS LG355N1C-N5
 (33) ENPHASE IQ7PLUS-72-2-US
 (1) TESLA POWERWALL BATTERY 2

ATTACHMENT TYPE: ROOF MOUNT
 MSP UPGRADE: NO

AUTHORITIES HAVING JURISDICTION

BUILDING: HARNETT COUNTY
 ZONING: HARNETT COUNTY
 UTILITY: CENTRAL ELECTRIC

DESIGN SPECIFICATION

OCCUPANCY: II
 CONSTRUCTION: SINGLE-FAMILY
 ZONING: RESIDENTIAL
 GROUND SNOW LOAD: 10 psf
 WIND EXPOSURE: C
 WIND SPEED: 118 mph

APPLICABLE CODES & STANDARDS

BUILDING: IBC 2015 IRC 2015
 ELECTRICAL: NEC 2017
 FIRE: IFC 2018

VICINITY MAP



SATELLITE VIEW



SHEET INDEX

T-001	COVER PAGE
G-001	NOTES
A-101	SITE PLAN
A-102	ELECTRICAL PLAN
A-103	ATTACHMENT PLAN
A-104	STRUCTURAL PLAN
E-601	LINE DIAGRAM
E-602	ELECTRICAL CALCULATIONS
E-603	PLACARD
R-001	RESOURCE DOCUMENT
R-002	RESOURCE DOCUMENT
R-003	RESOURCE DOCUMENT
R-004	RESOURCE DOCUMENT
R-005	RESOURCE DOCUMENT
R-006	RESOURCE DOCUMENT
R-007	RESOURCE DOCUMENT
R-008	RESOURCE DOCUMENT
R-009	RESOURCE DOCUMENT



22171 MCH RD
 MANDEVILLE, LA 70471
 PHONE: 9152011490

PROJECT NAME & ADDRESS

REGINALD WATSON
 1082 MELODY LANE,
 CAMERON, NC 28326,
 USA

Signature with Seal

REVISIONS	DESCRIPTION	DATE	
		REV	

SHEET TITLE
COVER PAGE

DRAWN DATE: 12/23/2020
 DRAWN BY: AK
 REVIEWED BY: -

SHEET NUMBER
T-001

2.1.1 SITE NOTES:

2.1.2 A LADDER WILL BE IN PLACE FOR INSPECTION IN COMPLIANCE WITH OSHA REGULATIONS.
 2.1.3 THE PV MODULES ARE CONSIDERED NON-COMBUSTIBLE AND THIS SYSTEM IS A UTILITY INTERACTIVE SYSTEM WITH STORAGE BATTERIES.
 2.1.4 THE SOLAR PV INSTALLATION WILL NOT OBSTRUCT ANY PLUMBING, MECHANICAL, OR BUILDING ROOF VENTS.
 2.1.5 PROPER ACCESS AND WORKING CLEARANCE AROUND EXISTING AND PROPOSED ELECTRICAL EQUIPMENT WILL BE PROVIDED AS PER SECTION NEC 110.26.
 2.1.6 ROOF COVERINGS SHALL BE DESIGNED, INSTALLED, AND MAINTAINED IN ACCORDANCE WITH THIS CODE AND THE APPROVED MANUFACTURER'S INSTRUCTIONS SUCH THAT THE ROOF COVERING SERVES TO PROTECT THE BUILDING OR STRUCTURE.

2.2.1 EQUIPMENT LOCATIONS:

2.2.2 ALL EQUIPMENT SHALL MEET MINIMUM SETBACKS AS REQUIRED BY NEC 110.26.
 2.2.3 WIRING SYSTEMS INSTALLED IN DIRECT SUNLIGHT MUST BE RATED FOR EXPECTED OPERATING TEMPERATURE AS SPECIFIED BY NEC 690.31 (A),(C) AND NEC TABLES 310.15 (B)(2)(A) AND 310.15 (B)(3)(C).
 2.2.4 JUNCTION AND PULL BOXES PERMITTED INSTALLED UNDER PV MODULES ACCORDING TO NEC 690.34.
 2.2.5 ADDITIONAL AC DISCONNECT(S) SHALL BE PROVIDED WHERE THE INVERTER IS NOT WITHIN SIGHT OF THE AC SERVICING DISCONNECT.
 2.2.6 ALL EQUIPMENT SHALL BE INSTALLED ACCESSIBLE TO QUALIFIED PERSONNEL ACCORDING TO NEC APPLICABLE CODES.
 2.2.7 ALL COMPONENTS ARE LISTED FOR THEIR PURPOSE AND RATED FOR OUTDOOR USAGE WHEN APPROPRIATE.

2.3.1 STRUCTURAL NOTES:

2.3.2 RACKING SYSTEM & PV ARRAY WILL BE INSTALLED ACCORDING TO CODE-COMPLIANT INSTALLATION MANUAL. TOP CLAMPS REQUIRE A DESIGNATED SPACE BETWEEN MODULES, AND RAILS MUST ALSO EXTEND A MINIMUM DISTANCE BEYOND EITHER EDGE OF THE ARRAY/SUBARRAY, ACCORDING TO RAI MANUFACTURER'S INSTRUCTIONS.
 2.3.3 JUNCTION BOX WILL BE INSTALLED PER MANUFACTURERS' SPECIFICATIONS. IF ROOF-PENETRATING TYPE, IT SHALL BE FLASHED & SEALED PER LOCAL REQUIREMENTS.
 2.3.4 ROOFTOP PENETRATIONS FOR PV RACEWAY WILL BE COMPLETED AND SEALED W/ APPROVED CHEMICAL SEALANT PER CODE BY A LICENSED CONTRACTOR.
 2.3.5 ALL PV RELATED ROOF ATTACHMENTS TO BE SPACED NO GREATER THAN THE SPAN DISTANCE SPECIFIED BY THE RACKING MANUFACTURER.
 2.3.6 WHEN POSSIBLE, ALL PV RELATED RACKING ATTACHMENTS WILL BE STAGGERED AMONGST THE ROOF FRAMING MEMBERS.

2.4.1 WIRING & CONDUIT NOTES:

2.4.2 ALL CONDUIT AND WIRE WILL BE LISTED AND APPROVED FOR THEIR PURPOSE. CONDUIT AND WIRE SPECIFICATIONS ARE BASED ON MINIMUM CODE REQUIREMENTS AND ARE NOT MEANT TO LIMIT UP-SIZING.
 2.4.3 CONDUCTORS SIZED ACCORDING TO NEC 690.8, NEC 690.7.
 2.4.4 VOLTAGE DROP LIMITED TO 1.5%.
 2.4.5 DC WIRING LIMITED TO MODULE FOOTPRINT. MICROINVERTER WIRING SYSTEMS SHALL BE LOCATED AND SECURED UNDER THE ARRAY W/ SUITABLE WIRING CLIPS.
 2.4.6 AC CONDUCTORS COLORED OR MARKED AS FOLLOWS: PHASE A OR L1- BLACK PHASE B OR L2- RED, OR OTHER CONVENTION IF THREE PHASE PHASE C OR L3- BLUE, YELLOW, ORANGE**, OR OTHER CONVENTION NEUTRAL- WHITE OR GREY IN 4-WIRE DELTA CONNECTED SYSTEMS THE PHASE WITH HIGHER VOLTAGE TO BE MARKED ORANGE [NEC 110.15].

2.5.1 GROUNDING NOTES:

2.5.2 GROUNDING SYSTEM COMPONENTS SHALL BE LISTED FOR THEIR PURPOSE, AND GROUNDING DEVICES EXPOSED TO THE ELEMENTS SHALL BE RATED FOR SUCH USE.
 2.5.3 PV EQUIPMENT SHALL BE GROUNDED ACCORDING TO NEC 690.43 AND MINIMUM NEC TABLE 250.122.
 2.5.4 METAL PARTS OF MODULE FRAMES, MODULE RACKING, AND ENCLOSURES CONSIDERED GROUNDED IN ACCORD WITH 250.134 AND 250.136(A).
 2.5.5 EQUIPMENT GROUNDING CONDUCTORS SHALL BE SIZED ACCORDING TO NEC 690.45 AND MICROINVERTER MANUFACTURERS' INSTRUCTIONS.
 2.5.6 EACH MODULE WILL BE GROUNDED USING WEEB GROUNDING CLIPS AS SHOWN IN MANUFACTURER DOCUMENTATION AND APPROVED BY THE AHJ. IF WEEBS ARE NOT USED, MODULE GROUNDING LUGS MUST BE INSTALLED AT THE SPECIFIED GROUNDING LUG HOLES PER THE MANUFACTURERS' INSTALLATION REQUIREMENTS.
 2.5.7 THE GROUNDING CONNECTION TO A MODULE SHALL BE ARRANGED SUCH THAT THE REMOVAL OF A MODULE DOES NOT INTERRUPT A GROUNDING CONDUCTOR TO ANOTHER MODULE.
 2.5.8 GROUNDING AND BONDING CONDUCTORS, IF INSULATED, SHALL BE COLORED GREEN OR MARKED GREEN IF #4 AWG OR LARGER [NEC 250.119]
 2.5.9 THE GROUNDING ELECTRODE SYSTEM COMPLIES WITH NEC 690.47 AND NEC 250.50 THROUGH 250.106. IF EXISTING SYSTEM IS INACCESSIBLE, OR INADEQUATE, A GROUNDING ELECTRODE SYSTEM PROVIDED ACCORDING TO NEC 250, NEC 690.47 AND AHJ.
 2.5.10 GROUND-FAULT DETECTION SHALL COMPLY WITH NEC 690.41(B)(1) AND (2) TO REDUCE FIRE HAZARDS

2.6.1 DISCONNECTION AND OVER-CURRENT PROTECTION NOTES:

2.6.2 DISCONNECTING SWITCHES SHALL BE WIRED SUCH THAT WHEN THE SWITCH IS OPENED THE CONDUCTORS REMAINING ENERGIZED ARE RECONNECTED TO THE TERMINALS MARKED "LINE SIDE" (TYPICALLY THE UPPER TERMINALS).
 2.6.3 DISCONNECTS TO BE ACCESSIBLE TO QUALIFIED UTILITY PERSONNEL, BE LOCKABLE, AND BE A VISIBLE-BREAK SWITCH
 2.6.4 PV SYSTEM CIRCUITS INSTALLED ON OR IN BUILDINGS SHALL INCLUDE A RAPID SHUTDOWN FUNCTION TO REDUCE SHOCK HAZARD FOR EMERGENCY RESPONDERS IN ACCORDANCE WITH 690.12(A) THROUGH (D).
 2.6.5 ALL OCPD RATINGS AND TYPES SPECIFIED ACCORDING TO NEC 690.8, 690.9, AND 240.
 2.6.6 MICROINVERTER BRANCHES CONNECTED TO A SINGLE BREAKER OR GROUPED FUSES IN ACCORDANCE WITH NEC 110.3(B).
 2.6.7 IF REQUIRED BY AHJ, SYSTEM WILL INCLUDE ARC-FAULT CIRCUIT PROTECTION ACCORDING TO NEC 690.11 AND UL 1699B.

2.7.1 INTERCONNECTION NOTES:

2.7.2 LOAD-SIDE INTERCONNECTION SHALL BE IN ACCORDANCE WITH [NEC 705.12 (B)]
 2.7.3 THE SUM OF THE UTILITY OCPD AND INVERTER CONTINUOUS OUTPUT MAY NOT EXCEED 120% OF BUSBAR RATING [NEC 705.12(D)(2)(3)].
 2.7.4 THE SUM OF 125 PERCENT OF THE POWER SOURCE(S) OUTPUT CIRCUIT CURRENT AND THE RATING OF THE OVERCURRENT DEVICE PROTECTING THE BUSBAR SHALL NOT EXCEED 120 PERCENT OF THE AMPACITY OF THE BUSBAR, PV DEDICATED BACKFEED BREAKERS MUST BE LOCATED OPPOSITE END OF THE BUS FROM THE UTILITY SOURCE OCPD [NEC 705.12(B)(2)(3)].
 2.7.5 AT MULTIPLE ELECTRIC POWER SOURCES OUTPUT COMBINER PANEL, TOTAL RATING OF ALL OVERCURRENT DEVICES SHALL NOT EXCEED AMPACITY OF BUSBAR. HOWEVER, THE COMBINED OVERCURRENT DEVICE MAY BE EXCLUDED ACCORDING TO NEC 705.12 (B)(2)(3)(C).
 2.7.6 FEEDER TAP INTERCONNECTION (LOADSIDE) ACCORDING TO NEC 705.12 (B)(2)(1)
 2.7.7 SUPPLY SIDE TAP INTERCONNECTION ACCORDING TO NEC 705.12 (A) WITH SERVICE ENTRANCE CONDUCTORS IN ACCORDANCE WITH NEC 230.42 2.7.8 BACKFEEDING BREAKER FOR ELECTRIC POWER SOURCES OUTPUT IS EXEMPT FROM ADDITIONAL FASTENING [NEC 705.12 (B)(5)].



22171 MCH RD
 MANDEVILLE, LA 70471
 PHONE: 9152011490

PROJECT NAME & ADDRESS

REGINALD WATSON
 1082 MELODY LANE,
 CAMERON, NC 28326,
 USA

Signature with Seal

REV	DESCRIPTION	DATE		

SHEET TITLE
 NOTES

DRAWN DATE	12/23/2020
DRAWN BY	AK
REVIEWED BY	-

SHEET NUMBER
 G-001

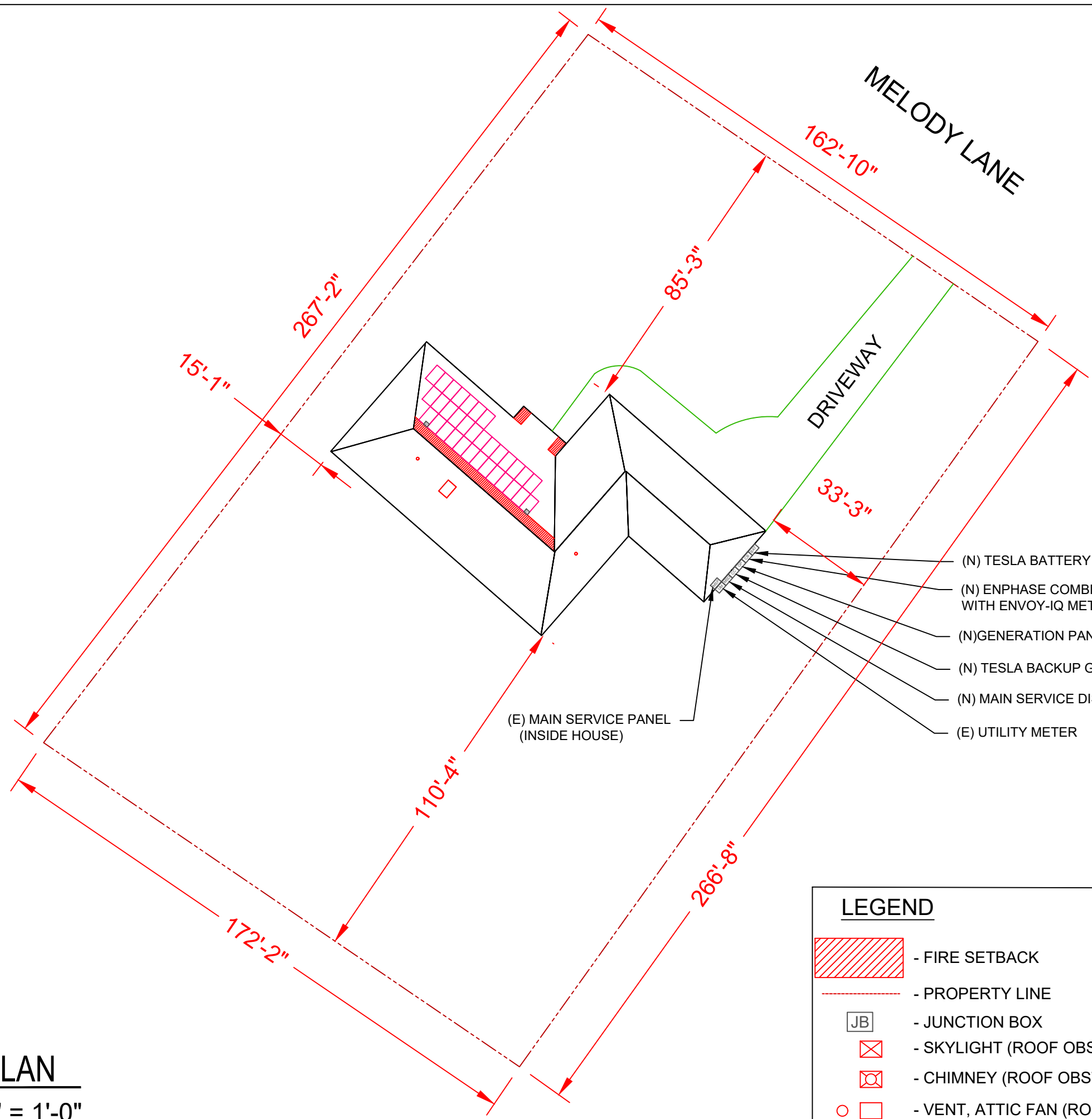
Signature with Seal

REVISIONS	DESCRIPTION	REV	DATE	
			DATE	DATE

SHEET TITLE
SITE PLAN

DRAWN DATE	12/23/2020
DRAWN BY	AK
REVIEWED BY	-

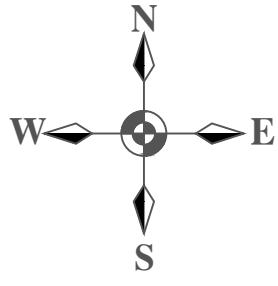
SHEET NUMBER
A-101



- (N) TESLA BATTERY POWERWALL 2
- (N) ENPHASE COMBINER PANEL WITH ENVOY-IQ METER
- (N) GENERATION PANEL
- (N) TESLA BACKUP GATEWAY
- (N) MAIN SERVICE DISCONNECT
- (E) UTILITY METER
- (E) MAIN SERVICE PANEL (INSIDE HOUSE)

LEGEND

- FIRE SETBACK
- PROPERTY LINE
- JUNCTION BOX
- SKYLIGHT (ROOF OBSTRUCTION)
- CHIMNEY (ROOF OBSTRUCTION)
- VENT, ATTIC FAN (ROOF OBSTRUCTION)



1 | SITE PLAN
SCALE: 1/32" = 1'-0"

- ① - MODULE STRING
- ② - MODULE STRING
- ③ - MODULE STRING

ROOF SECTION(S)

ROOF 1	TILT - 14° AZIMUTH - 41° MODULE - 33 SYSTEM SIZE (KW)- 11.72
--------	---

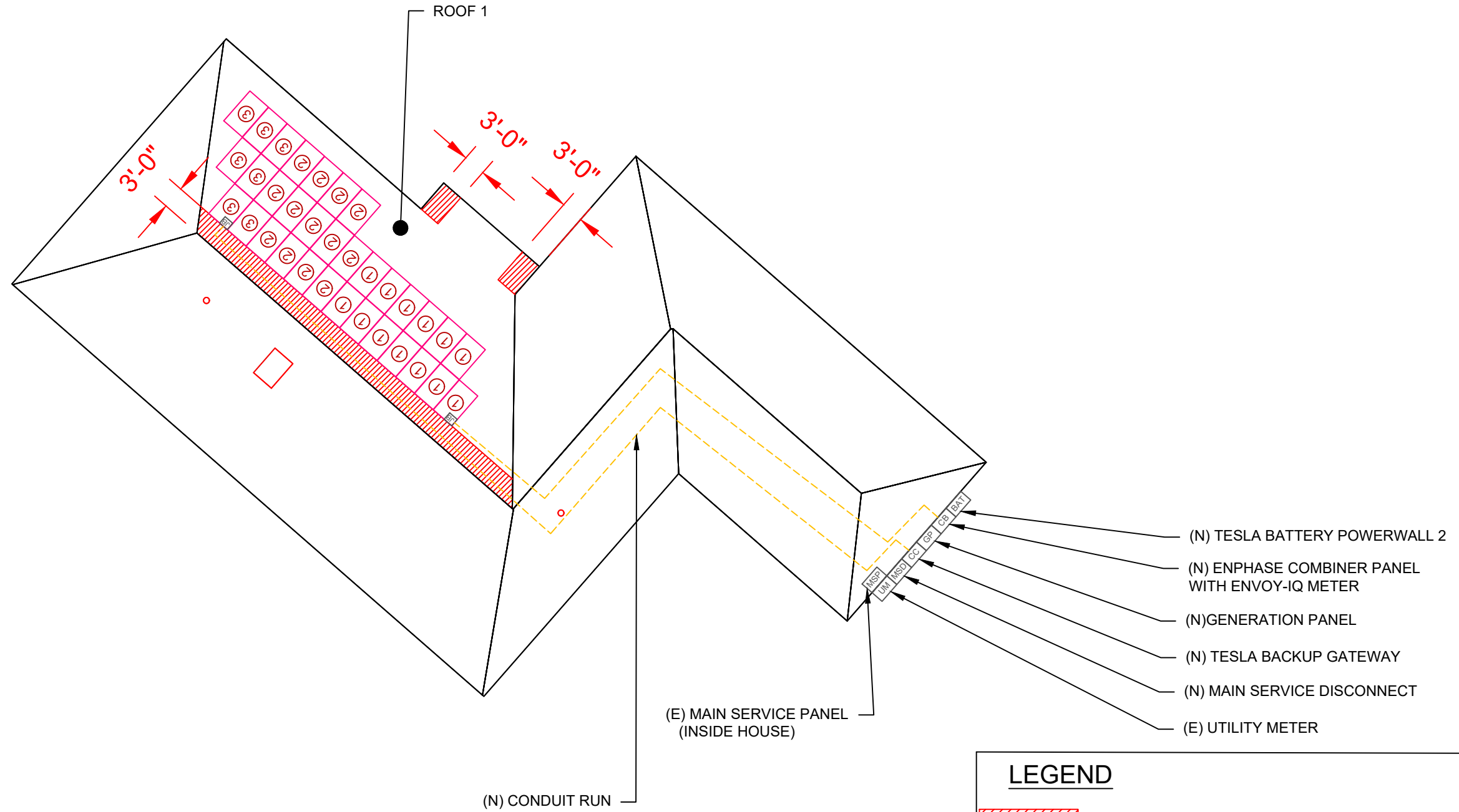


22171 MCH RD
MANDEVILLE, LA 70471
PHONE: 9152011490

PROJECT NAME & ADDRESS

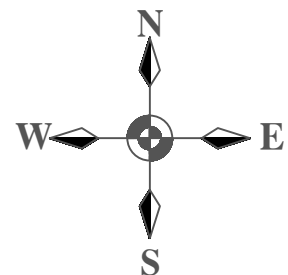
REGINALD WATSON
1082 MELODY LANE,
CAMERON, NC 28326,
USA

Signature with Seal



LEGEND

- FIRE SETBACK
- PROPERTY LINE
- JUNCTION BOX
- SKYLIGHT (ROOF OBSTRUCTION)
- CHIMNEY (ROOF OBSTRUCTION)
- VENT, ATTIC FAN (ROOF OBSTRUCTION)







1 | ELECTRICAL PLAN

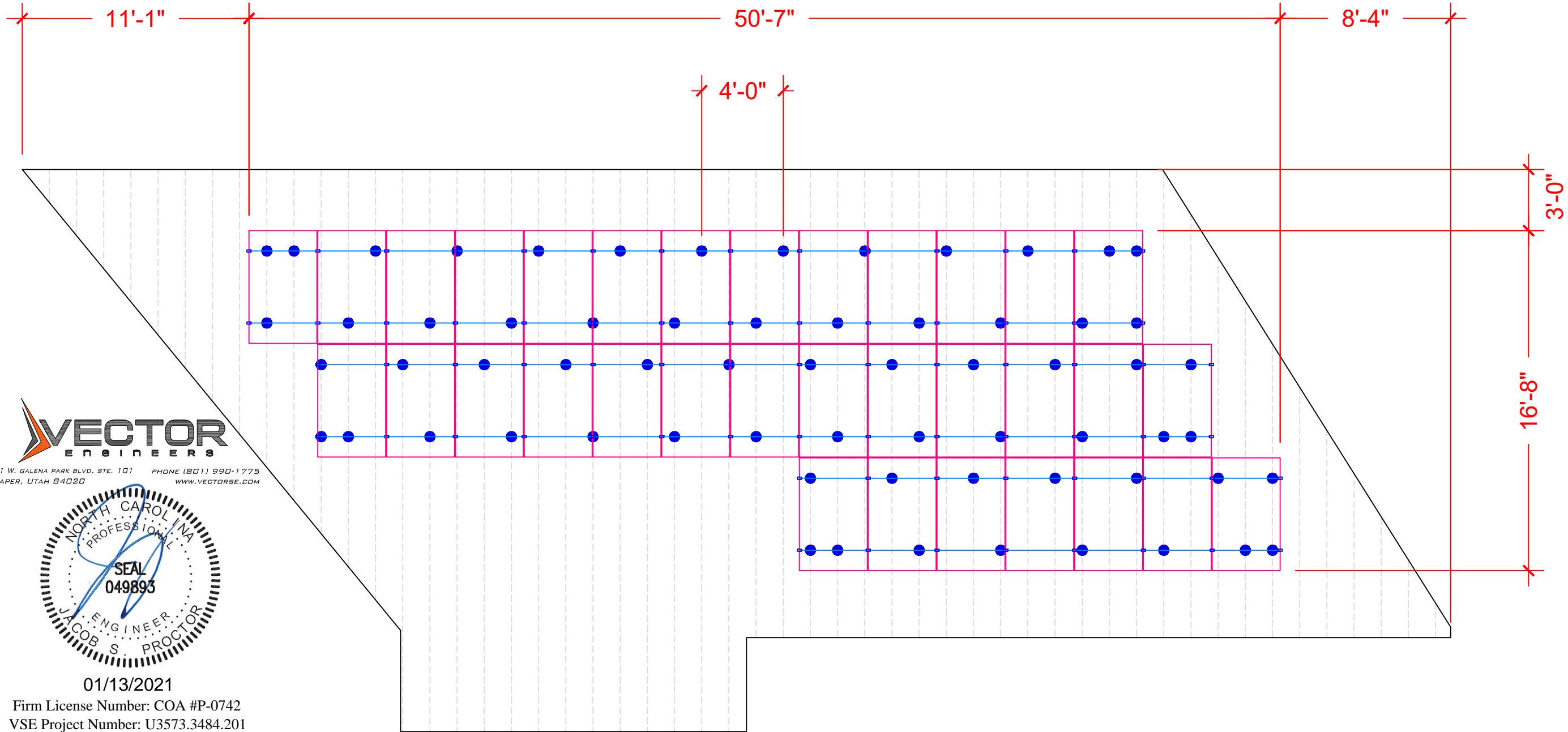
SCALE: 1/16" = 1'-0"

REVISIONS	DESCRIPTION	REV	DATE	
			REV	DATE

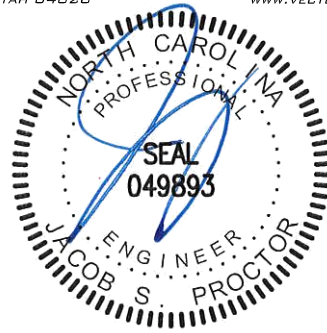
SHEET TITLE	
ELECTRICAL PLAN	
DRAWN DATE	12/23/2020
DRAWN BY	AK
REVIEWED BY	-
SHEET NUMBER	
A-102	

TOTAL MOUNT
COUNT-65

-  - CLAMP
-  - UNIRAC FLASHLOC
-  - RAIL
-  - RAFTER



VECTOR
ENGINEERS
651 W. GALENA PARK BLVD. STE. 101 DRAPER, UTAH 84020
PHONE (801) 990-1775 WWW.VECTORSE.COM



01/13/2021

Firm License Number: COA #P-0742
VSE Project Number: U3573.3484.201

Vector Structural Engineering has reviewed the existing structure with loading from the solar array and lag screw connections to the existing framing. The design of the racking system, connections, and all other structure is by others. Mechanical, architectural, and all other nonstructural aspects of the design are by others. Electrical is by others, unless stamped by Dean Levorsen.

ARRAY 1
TILT- 12 DEG
AZIMUTH - 41 DEG

1 | ATTACHMENT PLAN
SCALE: 3/16" = 1'-0"



22171 MCH RD
MANDEVILLE, LA 70471
PHONE: 9152011490

PROJECT NAME & ADDRESS

REGINALD WATSON
1082 MELODY LANE,
CAMERON, NC 28326,
USA

Signature with Seal

REV	DESCRIPTION	REVISIONS	
		DATE	

SHEET TITLE
ATTACHMENT PLAN

DRAWN DATE	12/23/2020
DRAWN BY	AK
REVIEWED BY	-

SHEET NUMBER
A-103

ROOF SECTION(S)

ROOF 1	ROOF MATERIAL - COMPOSITE SHINGLE RAFTER SIZE - 2"X6" O.C. SPACING - 16"
--------	---

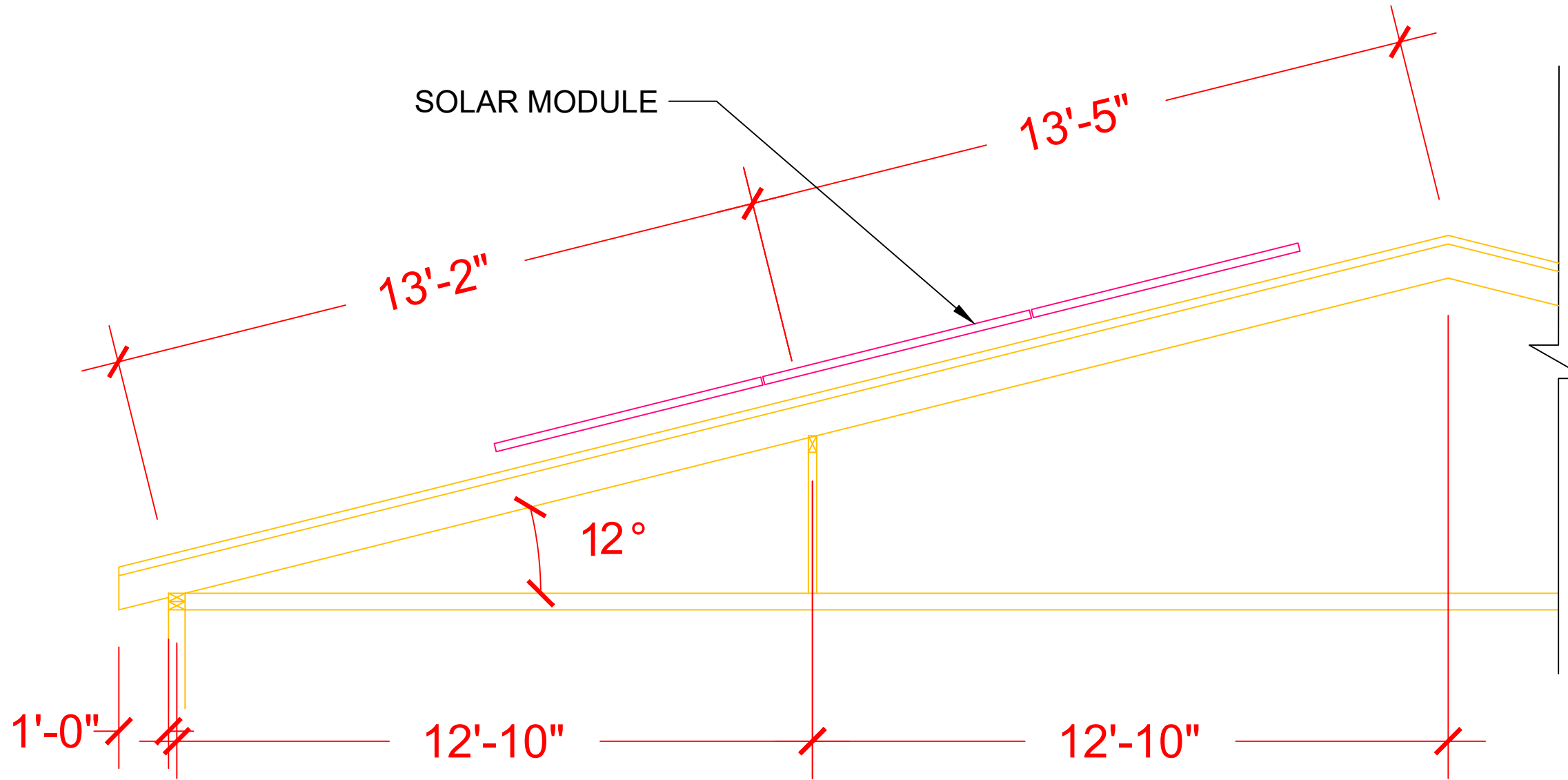


22171 MCH RD
MANDEVILLE, LA 70471
PHONE: 9152011490

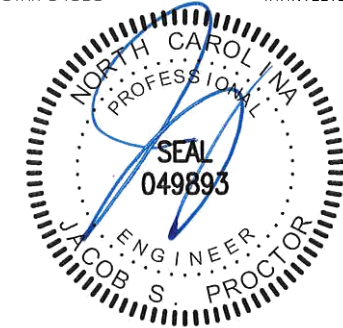
PROJECT NAME & ADDRESS

REGINALD WATSON
1082 MELODY LANE,
CAMERON, NC 28326,
USA

Signature with Seal



ROOF 1



01/13/2021

Firm License Number: COA #P-0742

VSE Project Number: U3573.3484.201

Vector Structural Engineering has reviewed the existing structure with loading from the solar array and lag screw connections to the existing framing. The design of the racking system, connections, and all other structure is by others. Mechanical, architectural, and all other nonstructural aspects of the design are by others. Electrical is by others, unless stamped by Dean Levorsen.

1 | STRUCTURAL PLAN

SCALE: 3/8" = 1'-0"

REVISIONS	DESCRIPTION	DATE
REV		

SHEET TITLE
STRUCTURAL PLAN

DRAWN DATE	12/23/2020
DRAWN BY	AK
REVIEWED BY	-

SHEET NUMBER
A-104

REVISIONS	DESCRIPTION	DATE
REV		

SHEET TITLE
LINE DIAGRAM

DRAWN DATE 12/23/2020
 DRAWN BY AK
 REVIEWED BY -

SOLAR MODULE SPECIFICATIONS

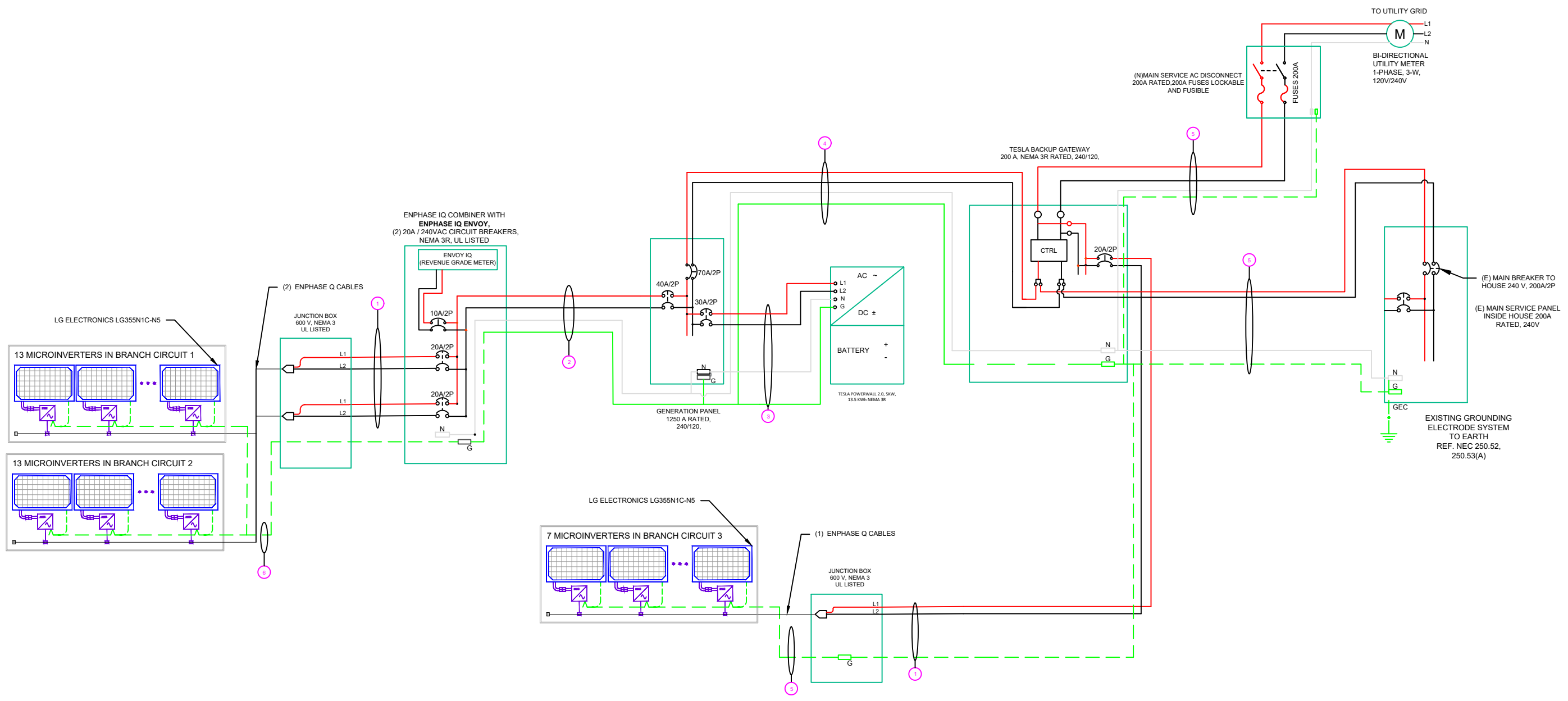
MANUFACTURER / MODEL #	LG ELECTRONICS LG355N1C-N5
VMP	34.7V
IMP	10.25A
VOC	41.5V
ISC	10.80A
TEMP. COEFF. VOC	-0.26%/°C
MODULE DIMENSION	66.9"L x 40"W x 1.57"D (In Inch)

INVERTER SPECIFICATIONS

MANUFACTURER / MODEL #	ENPHASE IQ 7 PLUS MICROINVERTER
MIN/MAX DC VOLT RATING	22V MIN/ 60V MAX
MAX INPUT POWER	235W-440W
NOMINAL AC VOLTAGE RATING	240V/ 211-264V
MAX AC CURRENT	1.21A
MAX MODULES PER STRING	13 (SINGLE PHASE)
MAX OUTPUT POWER	290 VA

WIRE /CONDUIT SCHEDULE

TAG	DESCRIPTION
1	#12 THWN-2 & (1)#6 THWN-2 GROUND / 1" PVC CONDUIT
2	#6 THWN-2 & (1)#6 THWN-2 GROUND /1" PVC CONDUIT
3	#10 THWN-2 & (1)#6 THWN-2 GROUND /1" PVC CONDUIT
4	#4 THWN-2 & (1)#6 THWN-2 GROUND /1 1/4" PVC CONDUIT
5	#2/0 THWN-2 & (1)#6 THWN-2 GROUND / 2" PVC CONDUIT
6	(1)#6 BARE GROUND



Signature with Seal

AMBIENT TEMPERATURE SPECS	
RECORD LOW TEMP	-10°
AMBIENT TEMP (HIGH TEMP 2%)	36°
CONDUIT HEIGHT	0.5"
ROOF TOP TEMP	58°
CONDUCTOR TEMPERATURE RATE	90°
MODULE TEMPERATURE COEFFICIENT OF Voc	-0.27% /°C

PERCENT OF VALUES	NUMBER OF CURRENT CARRYING CONDUCTORS IN	EMT
.80	4-6	
.70	7-9	
.50	10-20	

CALCULATIONS:

1. CURRENT CARRYING CONDUCTOR

(A) BEFORE IQ COMBINER PANEL

AMBIENT TEMPERATURE - (36)°C ...NEC 310.15(B)(3)(c)
 TEMPERATURE DERATE FACTOR - 0.91 ...NEC 310.15(B)(2)(a)
 GROUPING FACTOR - 0.8...NEC 310.15(B)(3)(a)

CONDUCTOR AMPACITY

= (INV O/P CURRENT) x 1.25 / A.T.F / G.F ...NEC 690.8(B)
 = [(13 x 1.21) x 1.25] / [0.91 x 0.8]
 = 27.01A

SELECTED CONDUCTOR - #12 THWN-2 ...NEC 310.15(B)(16)

(B) AFTER IQ COMBINER PANEL

TEMPERATURE DERATE FACTOR - 0.91
 GROUPING FACTOR - 1

CONDUCTOR AMPACITY

= (TOTAL INV O/P CURRENT) x 1.25 / 0.91/ 1 ...NEC 690.8(B)
 = [(26 x 1.21) x 1.25] / [0.91 x 1]
 = 43.21 A

SELECTED CONDUCTOR - #6 THWN-2 ...NEC 310.15(B)(16)

(C) AFTER GENERATION PANEL
 TEMPERATURE DERATE FACTOR - 0.91
 GROUPING FACTOR - 1

CONDUCTOR AMPACITY

= (TOTAL INV O/P CURRENT x 1.25 + BATTERY O/P)
 / 0.91/ 1 ...NEC 690.8(B)
 = [(26 x 1.21 x 1.25 + 30) / [0.91 x 1]
 = 76.18 A

SELECTED CONDUCTOR - #4 THWN-2 ...NEC 310.15(B)(16)

2. PV OVER CURRENT ...NEC 690.9(B)

= TOTAL INVERTER O/P CURRENT x 1.25
 = (33 x 1.21) x 1.25 = 49.91 A

3. TOTAL O/P CURRENT

= (TOTAL SYSTEM O/P CURRENT + BATTERY
 O/P CURRENT)
 = 50 + 30 = 80 A

SUNPRO

22171 MCH RD
 MANDEVILLE, LA 70471
 PHONE: 9152011490

PROJECT NAME & ADDRESS

REGINALD WATSON
 1082 MELODY LANE,
 CAMERON, NC 28326,
 USA

Signature with Seal

REVISIONS	DESCRIPTION	DATE		
			REV	

SHEET TITLE
 ELECTRICAL
 CALCULATIONS

DRAWN DATE 12/23/2020
 DRAWN BY AK
 REVIEWED BY -

SHEET NUMBER
 E-602

**WARNING:
PHOTOVOLTAIC
POWER SOURCE**

LABEL 1
ON ALL CONDUITS SPACED AT MAX 10FT

! WARNING !
ELECTRIC SHOCK HAZARD
DO NOT TOUCH TERMINALS.
TERMINALS ON BOTH LINE AND LOAD SIDES
MAY BE ENERGIZED IN THE OPEN POSITION

LABEL 5
AT EACH AC DISCONNECT

! CAUTION !
SOLAR POINT OF
INTERCONNECTION

LABEL 9
AT UTILITY METER

! CAUTION !
SOLAR ELECTRIC
SYSTEM CONNECTED
AND ENERGIZED

LABEL 2
AT INVERTER

**PHOTOVOLTAIC
AC DISCONNECT**

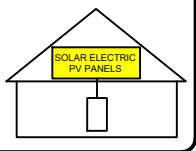
LABEL 6
AT EACH AC DISCONNECT

! WARNING !
THE SERVICE METER IS ALSO SERVED
BY A PHOTOVOLTAIC SYSTEM

LABEL 10
AT UTILITY METER

**SOLAR PV SYSTEM EQUIPPED
WITH RAPID SHUTDOWN**

TURN RAPID SHUTDOWN
SWITCH TO THE
"OFF" POSITION TO
SHUT DOWN PV SYSTEM
AND REDUCE
SHOCK HAZARD
IN THE ARRAY



LABEL 3
AT INVERTER

! WARNING !
DUAL POWER SOURCES
SECOND SOURCE IS PV SYSTEM

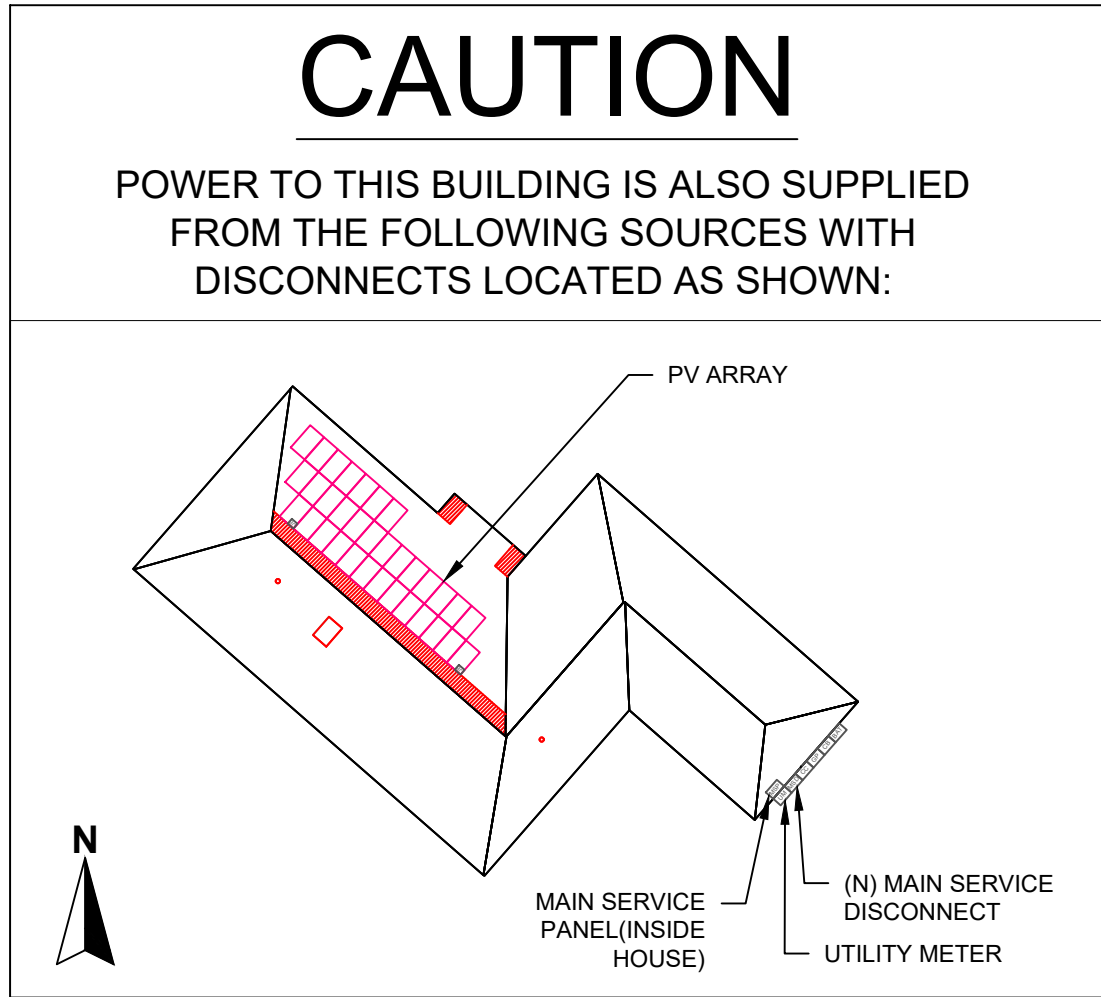
LABEL 7
AT MEP

**PHOTOVOLTAIC
DC DISCONNECT**

LABEL 4
AT DC DISCONNECT

! WARNING !
SOLAR SYSTEM CONNECTED
AND ENERGIZED

LABEL 8
AT MEP



SUNPRO

22171 MCH RD
MANDEVILLE, LA 70471
PHONE: 9152011490

PROJECT NAME & ADDRESS

REGINALD WATSON
1082 MELODY LANE,
CAMERON, NC 28326,
USA

Signature with Seal

REVISIONS	DESCRIPTION	REV	DATE	
			DATE	DATE

SHEET TITLE
PLACARDS

DRAWN DATE	12/23/2020
DRAWN BY	AK
REVIEWED BY	-

SHEET NUMBER
E-603

LG NeON[®]2

LG355N1C-N5

355W

The LG NeON[®] 2 is LG's best-selling solar module and one of the most powerful and versatile modules on the market today. Featuring LG's Cello Technology™, the LG NeON[®] 2 N5 provides 3% more power output than our V5 models. The cells are designed to appear all-black at a distance, and the performance warranty guarantees 90.1% of labeled power output at 25 years.



60

LG NeON[®]2

LG355N1C-N5

General Data

Cell Properties (Material/Type)	Monocrystalline/N-type
Cell Maker	LG
Cell Configuration	60 Cells (6 x 10)
Number of Busbars	12EA
Module Dimensions (L x W x H)	1,700mm x 1,016mm x 40 mm
Weight	18.0 kg
Glass (Material)	2.8mm/Tempered Glass with High Transmission Anti-Reflective Coating
Backsheet (Color)	White
Frame (Material)	Anodized Aluminium
Junction Box (Protection Degree)	IP 68 with 3 Bypass Diodes
Cables (Length)	1,000mm x 2EA
Connector (Type/Maker)	MC 4/MC

Certifications and Warranty

Certifications	IEC 61215-1/-1-1/2:2016, IEC 61730-1/2:2016 ISO 9001, ISO 14001, ISO 50001 OHSAS 18001
Salt Mist Corrosion Test	IEC 61701:2012 Severity 6
Ammonia Corrosion Test	IEC 62716:2013
Hail Test	25mm (1") diameter at 23 m/s (52 mph)
Module Fire Performance	Type 1 (UL1703)
Fire Rating	Class C (UL 790, ULC/ORD C 1703)
Solar Module Product Warranty	25 Year Limited
Solar Module Output Warranty	Linear Warranty*

*Improved: 1st year 98%, from 2-24th year: 0.33%/year down, 90.1% at year 25

Temperature Characteristics

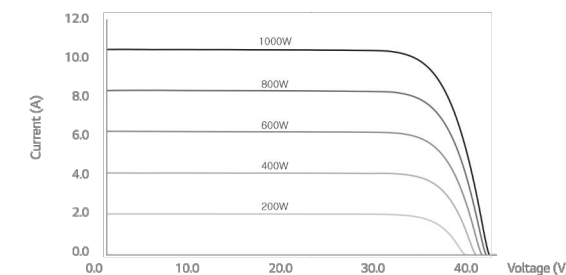
NMOT*	[°C]	42 ± 3
Pmax	[%/°C]	-0.34
Voc	[%/°C]	-0.26
Isc	[%/°C]	0.03

*NMOT (Nominal Module Operating Temperature): Irradiance 800 W/m², Ambient temperature 20°C, Wind speed 1 m/s, Spectrum AM 1.5

Electrical Properties (NMOT)

Model	LG355N1C-N5	
Maximum Power (Pmax)	[W]	266
MPP Voltage (Vmpp)	[V]	32.6
MPP Current (Impp)	[A]	8.17
Open Circuit Voltage (Voc)	[V]	39.1
Short Circuit Current (Isc)	[A]	8.68

I-V Curves



Electrical Properties (STC*)

Model	LG355N1C-N5	
Maximum Power (Pmax)	[W]	355
MPP Voltage (Vmpp)	[V]	34.7
MPP Current (Impp)	[A]	10.25
Open Circuit Voltage (Voc, ± 5%)	[V]	41.5
Short Circuit Current (Isc, ± 5%)	[A]	10.80
Module Efficiency	[%]	20.6
Power Tolerance	[%]	0 ~ +3

*STC (Standard Test Condition): Irradiance 1000 W/m², cell temperature 25°C, AM 1.5
Measurement Tolerance of Pmax: ± 3%

Operating Conditions

Operating Temperature	[°C]	-40 ~ +90
Maximum System Voltage	[V]	1000 (IEC)
Maximum Series Fuse Rating	[A]	20
Mechanical Test Load* (Front)	[Pa/psf]	5,400/113
Mechanical Test Load (Rear)	[Pa/psf]	4,000/84

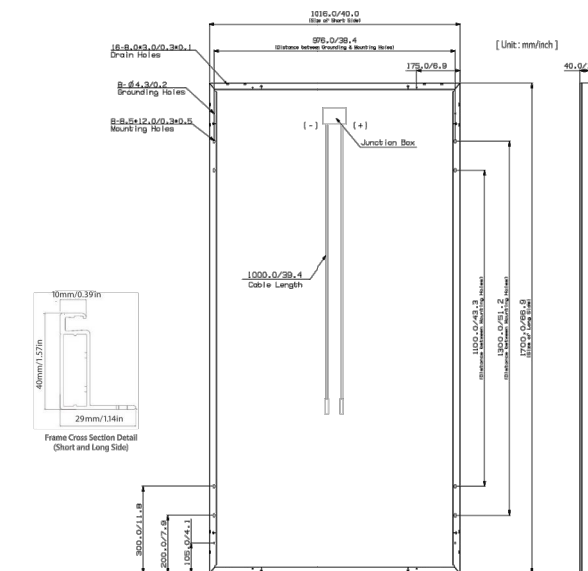
*Based on IEC 61215-2: 2016 (Test Load = Design Load x Safety Factor (1.5))

**Mechanical Test Loads 6,000Pa/5,400Pa based on IEC 61215: 2005

Packaging Configuration

Number of Modules per Pallet	[EA]	25
Number of Modules per 40' Container	[EA]	650
Number of Modules per 53' Container	[EA]	850
Packaging Box Dimensions (L x W x H)	[mm]	1750 x 1,120 x 1,221
Packaging Box Dimensions (L x W x H)	[in]	69 x 44.25 x 48.25
Packaging Box Gross Weight	[kg]	485
Packaging Box Gross Weight	[lb]	1,070

Dimensions (mm/inch)



Features



Performance Warranty

LG NeON[®] 2 has a module performance warranty. At 25 years, the NeON[®] 2 is guaranteed to produce at least 90.1% of its labeled power output.



25-Year Limited Product Warranty

The NeON[®] 2 is covered by a 25-year limited product warranty. In addition, up to \$450 of labor costs will be covered in the rare case that a module needs to be repaired or replaced.



Solid Performance on Hot Days

LG NeON[®] 2 performs well on hot days due to its low temperature coefficient.



Roof Aesthetics

LG NeON[®] 2 has been designed with aesthetics in mind using thinner wires that appear all black at a distance.

When you go solar, ask for the brand you can trust: LG Solar

About LG Electronics USA, Inc.

LG Electronics is a global leader in electronic products in the clean energy markets by offering solar PV panels and energy storage systems. The company first embarked on a solar energy source research program in 1985, supported by LG Group's vast experience in the semi-conductor, LCD, chemistry and materials industries. In 2010, LG Solar successfully released its first MonoX[®] series to the market, which is now available in 32 countries. The NeON[®] (previous MonoX[®] NeON), NeON[®]2, NeON[®]2 BiFacial won the "Intersolar AWARD" in 2013, 2015 and 2016, which demonstrates LG's leadership and innovation in the solar industry.



LG Electronics USA, Inc.
Solar Business Division
2000 Millbrook Drive
Lincolnshire, IL 60069
www.lg-solar.com

Product specifications are subject to change without notice.
LG355N1C-N5.pdf
050820

© 2020 LG Electronics USA, Inc. All rights reserved.

SUNPRO

22171 MCH RD
MANDEVILLE, LA 70471
PHONE: 9152011490

PROJECT NAME & ADDRESS

REGINALD WATSON
1082 MELODY LANE,
CAMERON, NC 28326,
USA

Signature with Seal

REV	DESCRIPTION	DATE	REVISIONS	
			DATE	DESCRIPTION

SHEET TITLE
RESOURCE
DOCUMENT

DRAWN DATE	12/23/2020
DRAWN BY	AK
REVIEWED BY	-

SHEET NUMBER
R-001

Enphase IQ 7 and IQ 7+ Microinverters

The high-powered smart grid-ready Enphase IQ 7 Micro™ and Enphase IQ 7+ Micro™ dramatically simplify the installation process while achieving the highest system efficiency.

Part of the Enphase IQ System, the IQ 7 and IQ 7+ Microinverters integrate with the Enphase IQ Envoy™, Enphase IQ Battery™, and the Enphase Enlighten™ monitoring and analysis software.

IQ Series Microinverters extend the reliability standards set forth by previous generations and undergo over a million hours of power-on testing, enabling Enphase to provide an industry-leading warranty of up to 25 years.



Easy to Install

- Lightweight and simple
- Faster installation with improved, lighter two-wire cabling
- Built-in rapid shutdown compliant (NEC 2014 & 2017)

Productive and Reliable

- Optimized for high powered 60-cell and 72-cell* modules
- More than a million hours of testing
- Class II double-insulated enclosure
- UL listed

Smart Grid Ready

- Complies with advanced grid support, voltage and frequency ride-through requirements
- Remotely updates to respond to changing grid requirements
- Configurable for varying grid profiles
- Meets CA Rule 21 (UL 1741-SA)

* The IQ 7+ Micro is required to support 72-cell modules.



To learn more about Enphase offerings, visit enphase.com



Enphase IQ 7 and IQ 7+ Microinverters

INPUT DATA (DC)	IQ7-60-2-US		IQ7PLUS-72-2-US	
Commonly used module pairings ¹	235 W - 350 W +		235 W - 440 W +	
Module compatibility	60-cell PV modules only		60-cell and 72-cell PV modules	
Maximum input DC voltage	48 V		60 V	
Peak power tracking voltage	27 V - 37 V		27 V - 45 V	
Operating range	16 V - 48 V		16 V - 60 V	
Min/Max start voltage	22 V / 48 V		22 V / 60 V	
Max DC short circuit current (module Isc)	15 A		15 A	
Overvoltage class DC port	II		II	
DC port backfeed current	0 A		0 A	
PV array configuration	1 x 1 ungrounded array; No additional DC side protection required; AC side protection requires max 20 A per branch circuit		1 x 1 ungrounded array; No additional DC side protection required; AC side protection requires max 20 A per branch circuit	
OUTPUT DATA (AC)	IQ 7 Microinverter		IQ 7+ Microinverter	
Peak output power	250 VA		295 VA	
Maximum continuous output power	240 VA		290 VA	
Nominal (L-L) voltage/range ²	240 V / 211-264 V	208 V / 183-229 V	240 V / 211-264 V	208 V / 183-229 V
Maximum continuous output current	1.0 A (240 V)	1.15 A (208 V)	1.21 A (240 V)	1.39 A (208 V)
Nominal frequency	60 Hz		60 Hz	
Extended frequency range	47 - 68 Hz		47 - 68 Hz	
AC short circuit fault current over 3 cycles	5.8 Arms		5.8 Arms	
Maximum units per 20 A (L-L) branch circuit ³	16 (240 VAC)	13 (208 VAC)	13 (240 VAC)	11 (208 VAC)
Overvoltage class AC port	III		III	
AC port backfeed current	0 A		0 A	
Power factor setting	1.0		1.0	
Power factor (adjustable)	0.85 leading ... 0.85 lagging		0.85 leading ... 0.85 lagging	
EFFICIENCY	@240 V	@208 V	@240 V	@208 V
Peak efficiency	97.6 %	97.6 %	97.5 %	97.3 %
CEC weighted efficiency	97.0 %	97.0 %	97.0 %	97.0 %
MECHANICAL DATA				
Ambient temperature range	-40°C to +65°C			
Relative humidity range	4% to 100% (condensing)			
Connector type (IQ7-60-2-US & IQ7PLUS-72-2-US)	MC4 (or Amphenol H4 UTX with additional Q-DCC-5 adapter)			
Dimensions (WxHxD)	212 mm x 175 mm x 30.2 mm (without bracket)			
Weight	1.08 kg (2.38 lbs)			
Cooling	Natural convection - No fans			
Approved for wet locations	Yes			
Pollution degree	PD3			
Enclosure	Class II double-insulated, corrosion resistant polymeric enclosure			
Environmental category / UV exposure rating	NEMA Type 6 / outdoor			
FEATURES				
Communication	Power Line Communication (PLC)			
Monitoring	Enlighten Manager and MyEnlighten monitoring options. Both options require installation of an Enphase IQ Envoy.			
Disconnecting means	The AC and DC connectors have been evaluated and approved by UL for use as the load-break disconnect required by NEC 690.			
Compliance	CA Rule 21 (UL 1741-SA) UL 62109-1, UL1741/IEEE1547, FCC Part 15 Class B, ICES-0003 Class B, CAN/CSA-C22.2 NO. 107.1-01 This product is UL Listed as PV Rapid Shut Down Equipment and conforms with NEC-2014 and NEC-2017 section 690.12 and C22.1-2015 Rule 64-218 Rapid Shutdown of PV Systems, for AC and DC conductors, when installed according manufacturer's instructions.			

1. No enforced DC/AC ratio. See the compatibility calculator at <https://enphase.com/en-us/support/module-compatibility>
2. Nominal voltage range can be extended beyond nominal if required by the utility.
3. Limits may vary. Refer to local requirements to define the number of microinverters per branch in your area.

To learn more about Enphase offerings, visit enphase.com

© 2019 Enphase Energy. All rights reserved. All trademarks or brands used are the property of Enphase Energy, Inc. 2019-3-26



22171 MCH RD
MANDEVILLE, LA 70471
PHONE: 9152011490

PROJECT NAME & ADDRESS

REGINALD WATSON
1082 MELODY LANE,
CAMERON, NC 28326,
USA

Signature with Seal

REVISIONS	REV	DESCRIPTION	DATE

SHEET TITLE
RESOURCE
DOCUMENT

DRAWN DATE	12/23/2020
DRAWN BY	AK
REVIEWED BY	-

SHEET NUMBER
R-002

Enphase IQ Combiner 3 (X-IQ-AM1-240-3)

The **Enphase IQ Combiner 3™** with Enphase IQ Envoy™ consolidates interconnection equipment into a single enclosure and streamlines PV and storage installations by providing a consistent, pre-wired solution for residential applications. It offers up to four 2-pole input circuits and Eaton BR series busbar assembly.



Smart

- Includes IQ Envoy for communication and control
- Flexible networking supports Wi-Fi, Ethernet, or cellular
- Optional AC receptacle available for PLC bridge
- Provides production metering and optional consumption monitoring

Simple

- Reduced size from previous combiner
- Centered mounting brackets support single stud mounting
- Supports back and side conduit entry
- Up to four 2-pole branch circuits for 240 VAC plug-in breakers (not included)
- 80 A total PV or storage branch circuits

Reliable

- Durable NRTL-certified NEMA type 3R enclosure
- Five-year warranty
- UL listed



To learn more about Enphase offerings, visit enphase.com



Enphase IQ Combiner 3

MODEL NUMBER

IQ Combiner 3 X-IQ-AM1-240-3	IQ Combiner 3 with Enphase IQ Envoy™ printed circuit board for integrated revenue grade PV production metering (ANSI C12.20 +/- 0.5%) and optional* consumption monitoring (+/- 2.5%).
------------------------------	--

ACCESSORIES and REPLACEMENT PARTS (not included, order separately)

Enphase Mobile Connect™ CELLMODEM-03 (4G / 12-year data plan) CELLMODEM-01 (3G / 5-year data plan) CELLMODEM-M1 (4G based LTE-M / 5-year data plan)	Plug and play industrial grade cellular modem with data plan for systems up to 60 microinverters. (Available in the US, Canada, Mexico, Puerto Rico, and the US Virgin Islands, where there is adequate cellular service in the installation area.)
Consumption Monitoring* CT CT-200-SPLIT	Split core current transformers enable whole home consumption metering (+/- 2.5%).
Circuit Breakers BRK-10A-2-240 BRK-15A-2-240 BRK-20A-2P-240	Supports Eaton BR210, BR215, BR220, BR230, BR240, BR250, and BR260 circuit breakers. Circuit breaker, 2 pole, 10A, Eaton BR210 Circuit breaker, 2 pole, 15A, Eaton BR215 Circuit breaker, 2 pole, 20A, Eaton BR220
EPLC-01	Power line carrier (communication bridge pair), quantity 2.
XA-PLUG-120-3	Accessory receptacle for Power Line Carrier in IQ Combiner 3 (required for EPLC-01)
XA-ENV-PCBA-3	Replacement IQ Envoy printed circuit board (PCB) for Combiner 3

ELECTRICAL SPECIFICATIONS

Rating	Continuous duty
System voltage	120/240 VAC, 60 Hz
Eaton BR series busbar rating	125 A
Max. continuous current rating (output to grid)	65 A
Max. fuse/circuit rating (output)	90 A
Branch circuits (solar and/or storage)	Up to four 2-pole Eaton BR series Distributed Generation (DG) breakers only (not included)
Max. continuous current rating (input from PV)	64 A
Max. total branch circuit breaker rating (input)	80A of distributed generation / 90A with IQ Envoy breaker included
Production Metering CT	200 A solid core pre-installed and wired to IQ Envoy.

MECHANICAL DATA

Dimensions (WxHxD)	49.5 x 37.5 x 16.8 cm (19.5" x 14.75" x 6.63"). Height is 21.06" (53.5 cm with mounting brackets).
Weight	7.5 kg (16.5 lbs)
Ambient temperature range	-40° C to +46° C (-40° to 115° F)
Cooling	Natural convection, plus heat shield
Enclosure environmental rating	Outdoor, NRTL-certified, NEMA type 3R, polycarbonate construction
Wire sizes	<ul style="list-style-type: none"> • 20 A to 50 A breaker inputs: 14 to 4 AWG copper conductors • 60 A breaker branch input: 4 to 1/0 AWG copper conductors • Main lug combined output: 10 to 2/0 AWG copper conductors • Neutral and ground: 14 to 1/0 copper conductors Always follow local code requirements for conductor sizing.
Altitude	To 2000 meters (6,560 feet)

INTERNET CONNECTION OPTIONS

Integrated Wi-Fi	802.11b/g/n
Ethernet	Optional, 802.3, Cat5E (or Cat 6) UTP Ethernet cable (not included)
Cellular	Optional, CELLMODEM-01 (3G) or CELLMODEM-03 (4G) or CELLMODEM-M1 (4G based LTE-M) (not included)

COMPLIANCE

Compliance, Combiner	UL 1741 CAN/CSA C22.2 No. 107.1 47 CFR, Part 15, Class B, ICES 003 Production metering: ANSI C12.20 accuracy class 0.5 (PV production)
Compliance, IQ Envoy	UL 60601-1/CANCSA 22.2 No. 61010-1

* Consumption monitoring is required for Enphase Storage Systems.

To learn more about Enphase offerings, visit enphase.com

© 2018 Enphase Energy. All rights reserved. All trademarks or brands in this document are registered by their respective owner.
2018-09-13



22171 MCH RD
MANDEVILLE, LA 70471
PHONE: 9152011490

PROJECT NAME & ADDRESS

REGINALD WATSON
1082 MELODY LANE,
CAMERON, NC 28326,
USA

Signature with Seal

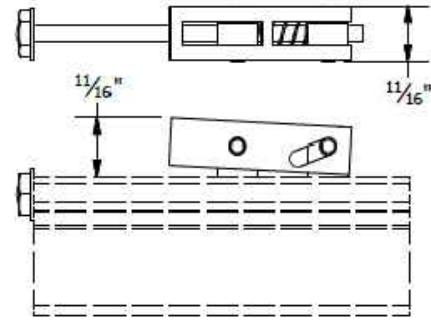
REV	DESCRIPTION	DATE	REVISIONS	

SHEET TITLE
RESOURCE DOCUMENT

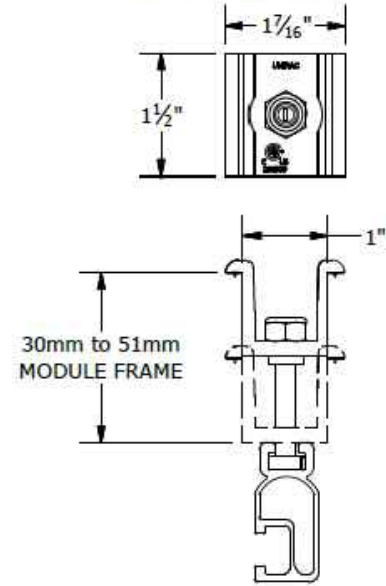
DRAWN DATE	12/23/2020
DRAWN BY	AK
REVIEWED BY	-

SHEET NUMBER
R-003

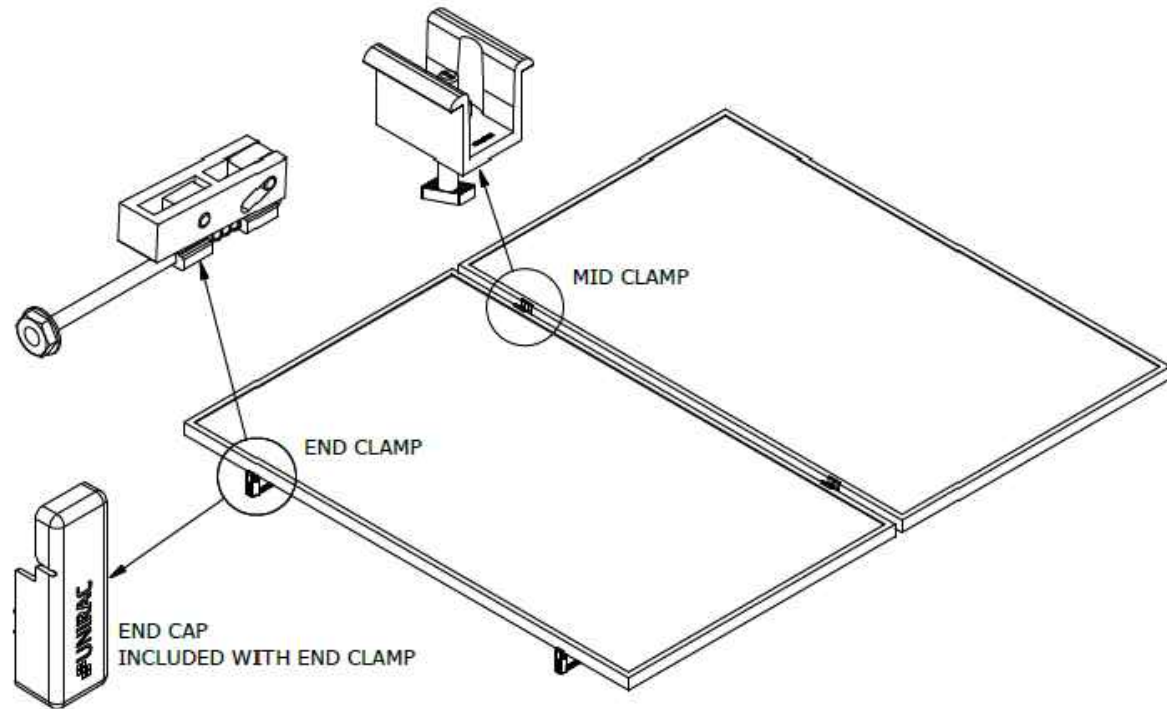
PRO SERIES END CLAMP



PRO SERIES MID CLAMP



PART # TABLE	
P/N	DESCRIPTION
302035M	ENDCLAMP PRO
302030M	MIDCLAMP PRO - MILL
302030D	MIDCLAMP PRO - DRK



1411 BROADWAY BLVD. NE
ALBUQUERQUE, NM 87102 USA
PHONE: 505.242.6411
WWW.UNIRAC.COM

PRODUCT LINE:	SOLARMOUNT
DRAWING TYPE:	PART & ASSEMBLY
DESCRIPTION:	PRO SERIES BONDING CLAMPS
REVISION DATE:	10/26/2017

DRAWING NOT TO SCALE
ALL DIMENSIONS ARE
NOMINAL

PRODUCT PROTECTED BY
ONE OR MORE US PATENTS
LEGAL NOTICE

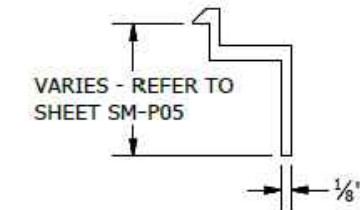
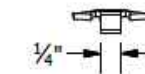
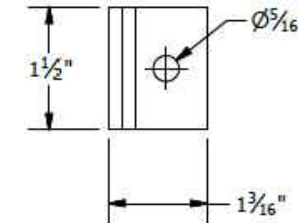
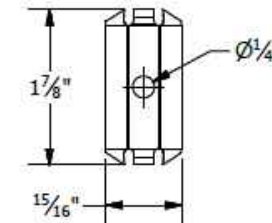
SM-A01

SHEET

END CLAMP

MID CLAMP

PART # TABLE	
P/N	DESCRIPTION
302027C	SM BND MIDCLAMP BC SS
302027D	SM BND MIDCLAMP BC DRK SS
302028C	SM BND MIDCLAMP EF SS
302028D	SM BND MIDCLAMP EF DRK SS
302029C	SM BND MIDCLAMP DK SS
302029D	SM BND MIDCLAMP DK DRK SS
FOR BONDING END CLAMP REFER TO SHEET SM-P05	



BONDING SM MID CLAMP BONDING SM END CLAMP



1411 BROADWAY BLVD. NE
ALBUQUERQUE, NM 87102 USA
PHONE: 505.242.6411
WWW.UNIRAC.COM

PRODUCT LINE:	SOLARMOUNT
DRAWING TYPE:	PART & ASSEMBLY
DESCRIPTION:	BONDING TOP CLAMPS
REVISION DATE:	10/26/2017

DRAWING NOT TO SCALE
ALL DIMENSIONS ARE
NOMINAL

PRODUCT PROTECTED BY
ONE OR MORE US PATENTS
LEGAL NOTICE

SM-A01A

SHEET



22171 MCH RD
MANDEVILLE, LA 70471
PHONE: 9152011490

PROJECT NAME & ADDRESS

REGINALD WATSON
1082 MELODY LANE,
CAMERON, NC 28326,
USA

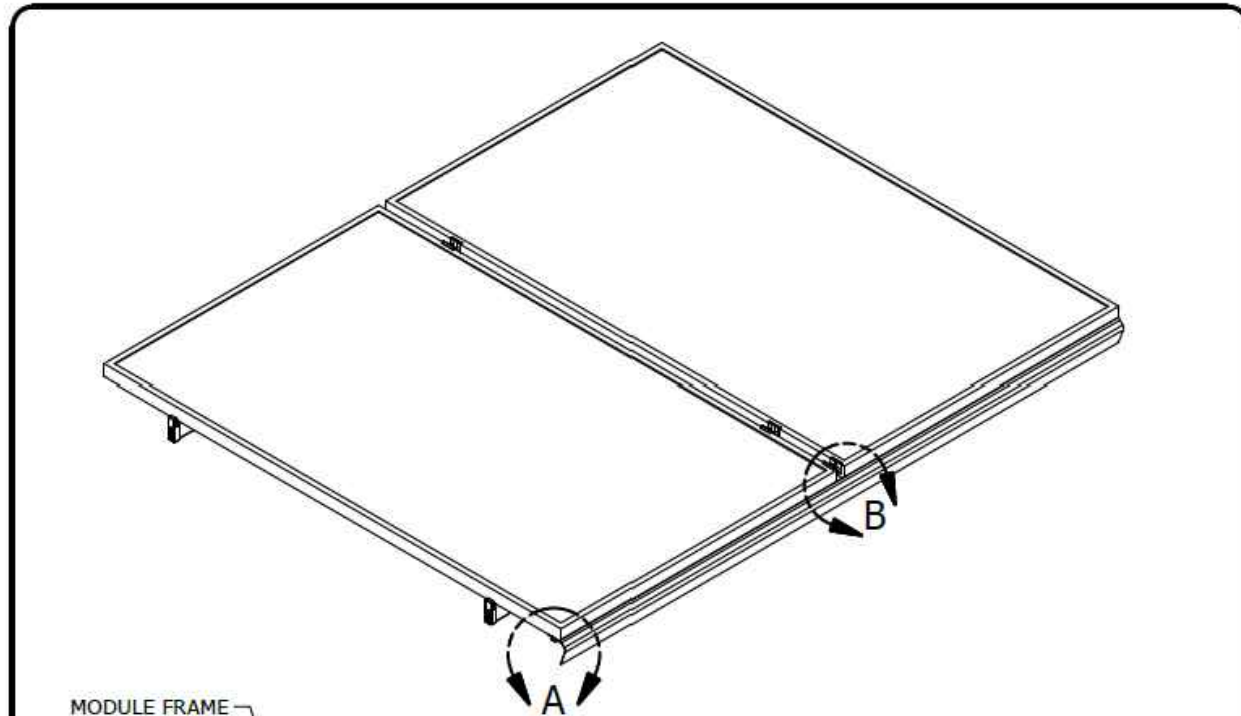
Signature with Seal

REV	DESCRIPTION	DATE

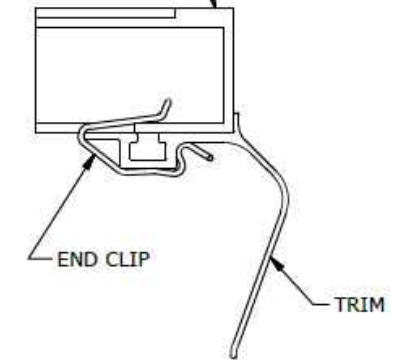
SHEET TITLE
RESOURCE
DOCUMENT

DRAWN DATE	12/23/2020
DRAWN BY	AK
REVIEWED BY	-

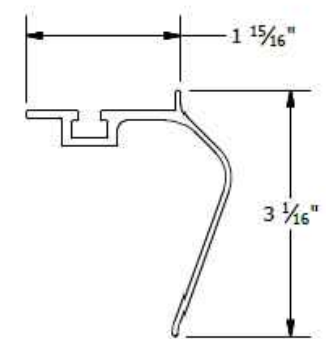
SHEET NUMBER
R-004



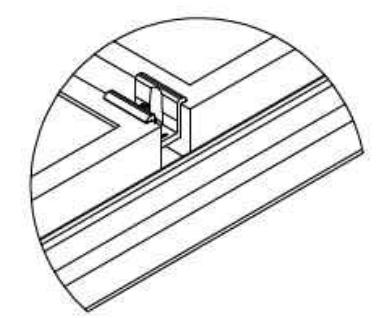
MODULE FRAME



DETAIL A
TRIM END CLIP



TRIM



DETAIL B
MID CLAMP TRIM CONNECTION

PART # TABLE		
P/N	DESCRIPTION	LENGTH
206072D-B	SM TRIM DRK	168"
008025S	SM TRIM END CLIP	-

1411 BROADWAY BLVD. NE
ALBUQUERQUE, NM 87102 USA
PHONE: 505.242.6411
WWW.UNIRAC.COM

PRODUCT LINE:	SOLARMOUNT
DRAWING TYPE:	PART & ASSEMBLY
DESCRIPTION:	SM TRIM END CLIP
REVISION DATE:	9/27/2017

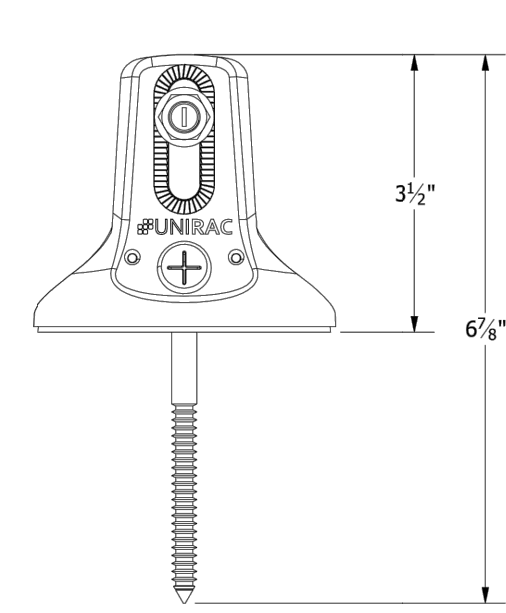
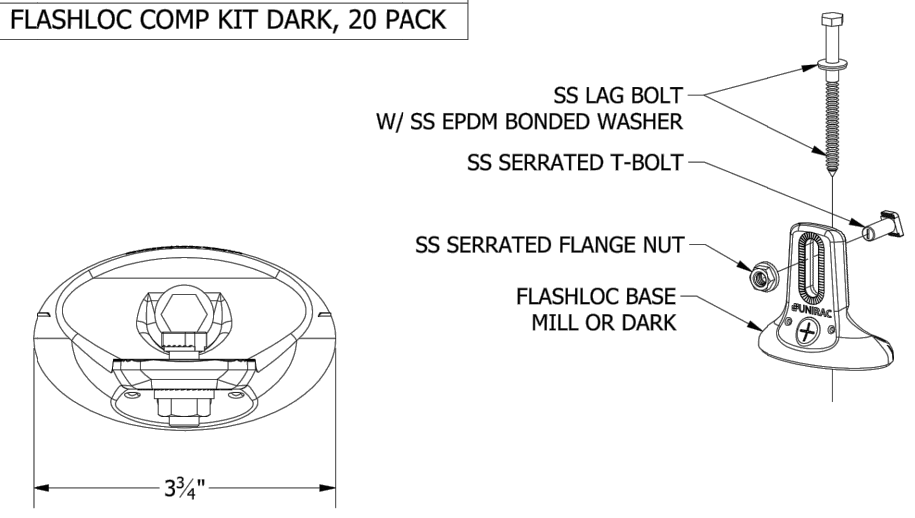
DRAWING NOT TO SCALE
ALL DIMENSIONS ARE
NOMINAL

PRODUCT PROTECTED BY
ONE OR MORE US PATENTS

LEGAL NOTICE

SM-A02
SHEET

PART TABLE	
P/N	DESCRIPTION
004085M	FLASHLOC COMP KIT MILL, 20 PACK
004085D	FLASHLOC COMP KIT DARK, 20 PACK



1411 BROADWAY BLVD. NE
ALBUQUERQUE, NM 87102 USA
PHONE: 505.242.6411
WWW.UNIRAC.COM

PRODUCT LINE:	SOLARMOUNT
DRAWING TYPE:	PART DRAWING
DESCRIPTION:	FLASHLOC COMP KIT
REVISION DATE:	10/3/2019

DRAWING NOT TO SCALE
ALL DIMENSIONS ARE
NOMINAL

PRODUCT PROTECTED BY
ONE OR MORE US PATENTS

LEGAL NOTICE

FL-A01
SHEET

SUNPRO

22171 MCH RD
MANDEVILLE, LA 70471
PHONE: 9152011490

PROJECT NAME & ADDRESS
REGINALD WATSON
1082 MELODY LANE,
CAMERON, NC 28326,
USA

Signature with Seal

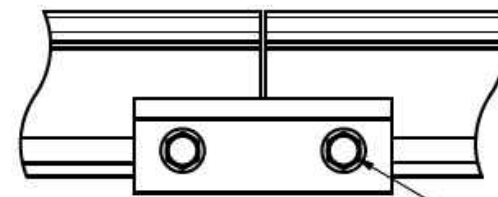
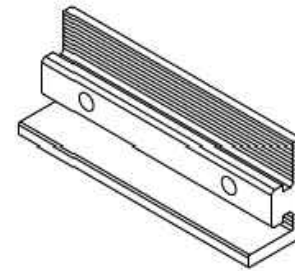
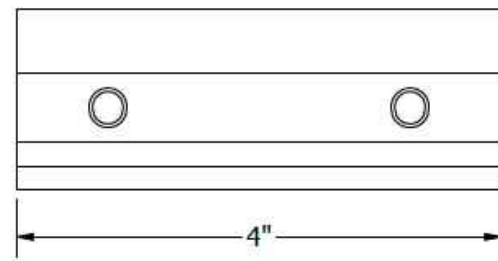
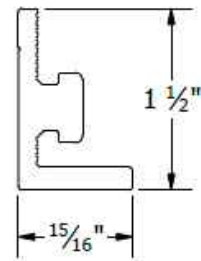
REVISIONS	DESCRIPTION	DATE
	REV	

SHEET TITLE
RESOURCE DOCUMENT

DRAWN DATE	12/23/2020
DRAWN BY	AK
REVIEWED BY	-

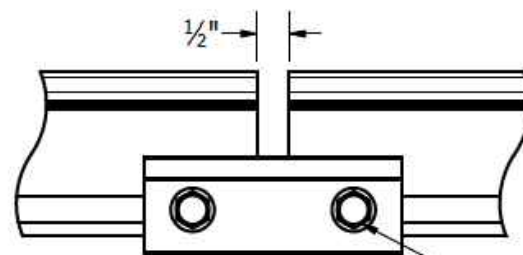
SHEET NUMBER
R-005

BONDING SPLICE BAR



TYPICAL SPLICE BAR DETAIL

5/16"-18 TYPE F THREAD CUTTING SCREWS INCLUDED



TYPICAL EXPANSION JOINT DETAIL

NOTE THAT ONLY 2 SCREWS ARE USED AT AN EXPANSION JOINT. THE SPLICE BAR DOES NOT BOND ACROSS AN EXPANSION JOINT. SEE INSTALLATION GUIDE FOR INSTRUCTION.

PART # TABLE

P/N	DESCRIPTION
303019M	BND SPLICE BAR PRO SERIES MILL
303019D	BND SPLICE BAR PRO SERIES DRK



1411 BROADWAY BLVD. NE
ALBUQUERQUE, NM 87102 USA
PHONE: 505.242.6411
WWW.UNIRAC.COM

PRODUCT LINE:	SOLARMOUNT
DRAWING TYPE:	PART & ASSEMBLY
DESCRIPTION:	BONDING SPLICE BAR PRO SERIES
REVISION DATE:	8/23/2018

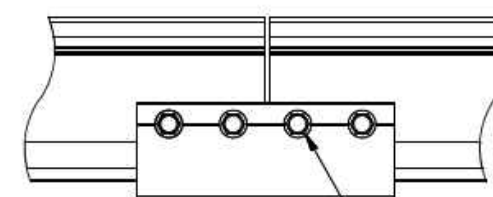
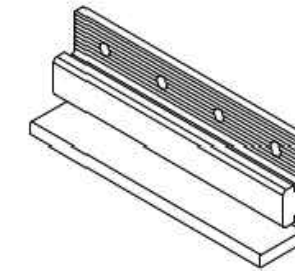
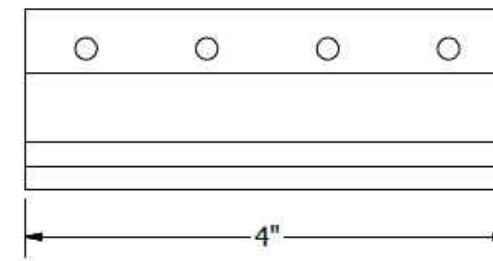
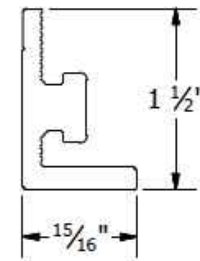
DRAWING NOT TO SCALE
ALL DIMENSIONS ARE NOMINAL

PRODUCT PROTECTED BY
ONE OR MORE US PATENTS
LEGAL NOTICE

SM-A05

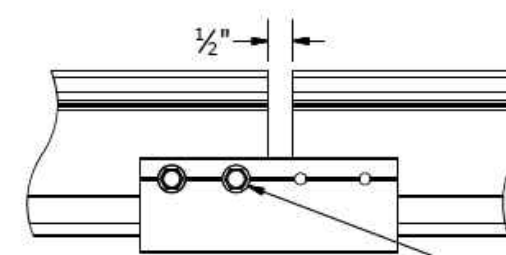
SHEET

BONDING SPLICE BAR



TYPICAL SPLICE BAR DETAIL

#12 X 3/4" SELF DRILLING SS SCREWS INCLUDED



TYPICAL EXPANSION JOINT DETAIL

NOTE THAT ONLY 2 SCREWS ARE USED AT AN EXPANSION JOINT. THE SPLICE BAR DOES NOT BOND ACROSS AN EXPANSION JOINT. SEE INSTALLATION GUIDE FOR INSTRUCTION.

PART # TABLE

P/N	DESCRIPTION
303018C	BND SPLICE BAR SERRATED CLR
303018D	BND SPLICE BAR SERRATED DRK



1411 BROADWAY BLVD. NE
ALBUQUERQUE, NM 87102 USA
PHONE: 505.242.6411
WWW.UNIRAC.COM

PRODUCT LINE:	SOLARMOUNT
DRAWING TYPE:	PART & ASSEMBLY
DESCRIPTION:	BONDING SPLICE BAR
REVISION DATE:	9/27/2017

DRAWING NOT TO SCALE
ALL DIMENSIONS ARE NOMINAL

PRODUCT PROTECTED BY
ONE OR MORE US PATENTS
LEGAL NOTICE

SM-A05

SHEET



22171 MCH RD
MANDEVILLE, LA 70471
PHONE: 9152011490

PROJECT NAME & ADDRESS

REGINALD WATSON
1082 MELODY LANE,
CAMERON, NC 28326,
USA

Signature with Seal

REVISIONS	DESCRIPTION	REV	DATE	
			REV	DATE

SHEET TITLE
RESOURCE DOCUMENT

DRAWN DATE	12/23/2020
DRAWN BY	AK
REVIEWED BY	-

SHEET NUMBER
R-006

PROJECT NAME & ADDRESS

REGINALD WATSON
1082 MELODY LANE,
CAMERON, NC 28326,
USA

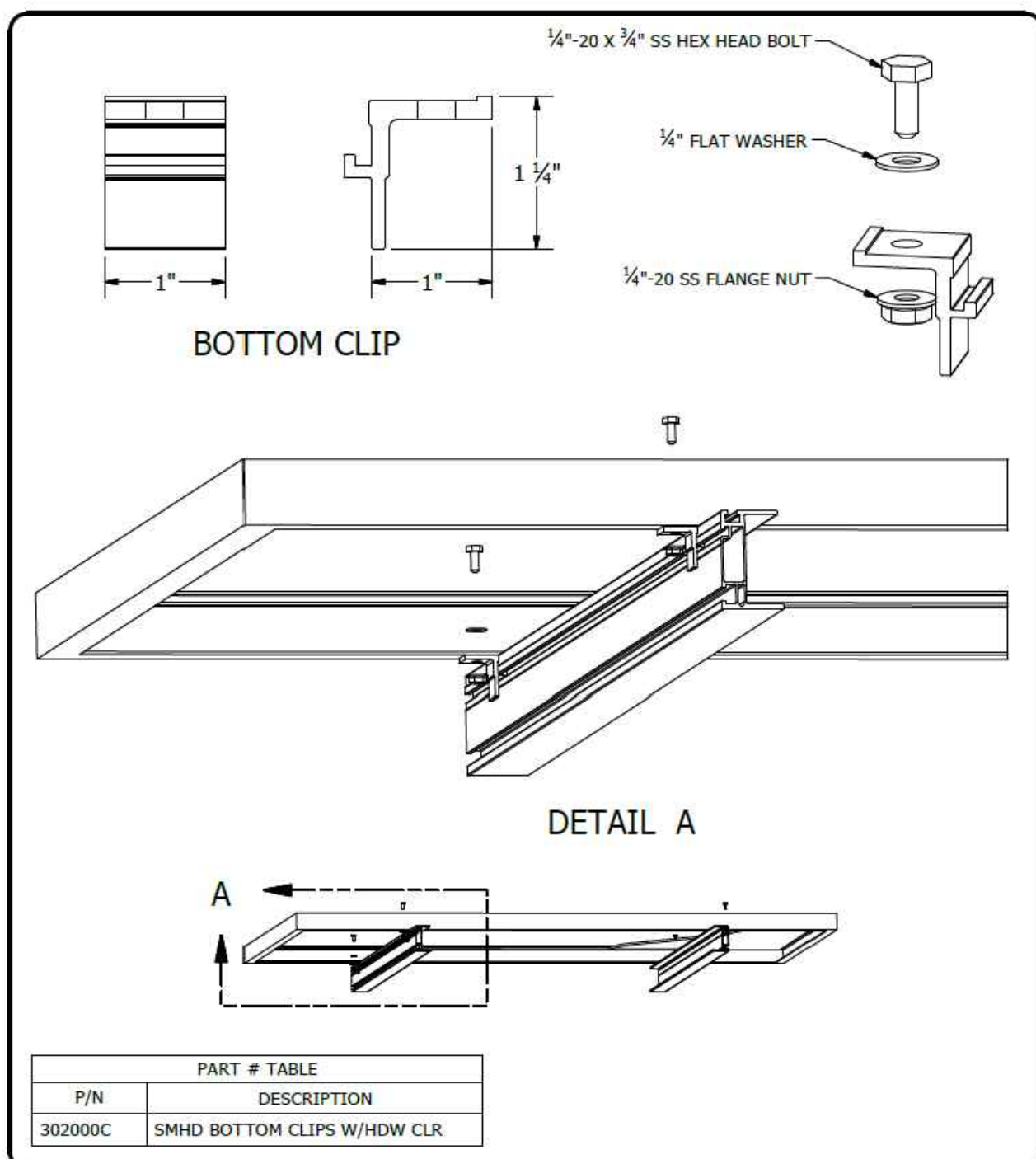
Signature with Seal

REV	DESCRIPTION	DATE

SHEET TITLE
RESOURCE DOCUMENT

DRAWN DATE	12/23/2020
DRAWN BY	AK
REVIEWED BY	-

SHEET NUMBER
R-007



UNIRAC
1411 BROADWAY BLVD. NE
ALBUQUERQUE, NM 87102 USA
PHONE: 505.242.6411
WWW.UNIRAC.COM

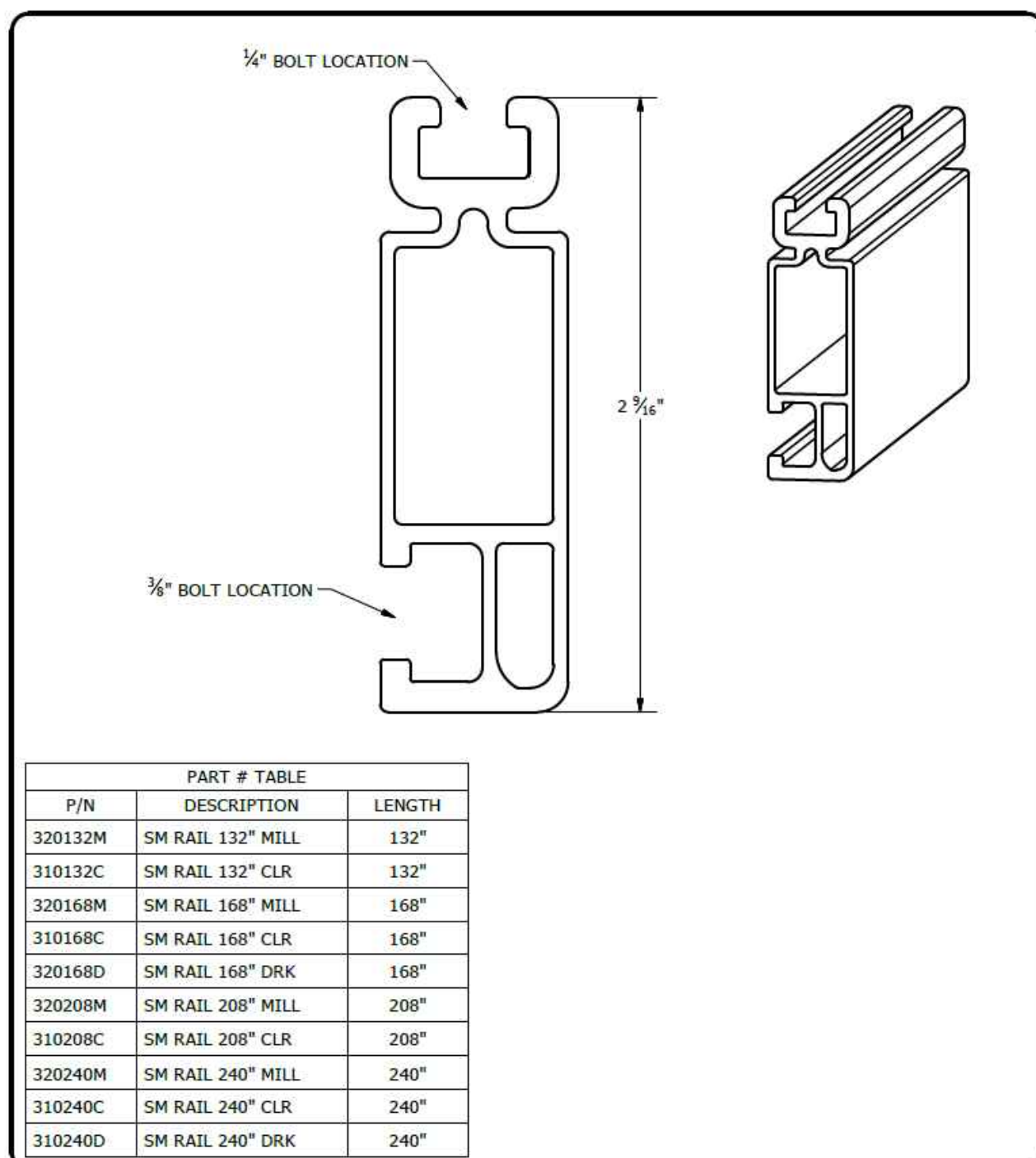
PRODUCT LINE:	SOLARMOUNT HD
DRAWING TYPE:	PART & ASSEMBLY
DESCRIPTION:	BOTTOM CLIP
REVISION DATE:	9/27/2017

DRAWING NOT TO SCALE
ALL DIMENSIONS ARE
NOMINAL

PRODUCT PROTECTED BY
ONE OR MORE US PATENTS

LEGAL NOTICE

SM-A10
SHEET



UNIRAC
1411 BROADWAY BLVD. NE
ALBUQUERQUE, NM 87102 USA
PHONE: 505.242.6411
WWW.UNIRAC.COM

PRODUCT LINE:	SOLARMOUNT
DRAWING TYPE:	PART DETAIL
DESCRIPTION:	STANDARD RAIL
REVISION DATE:	9/11/2017

DRAWING NOT TO SCALE
ALL DIMENSIONS ARE
NOMINAL

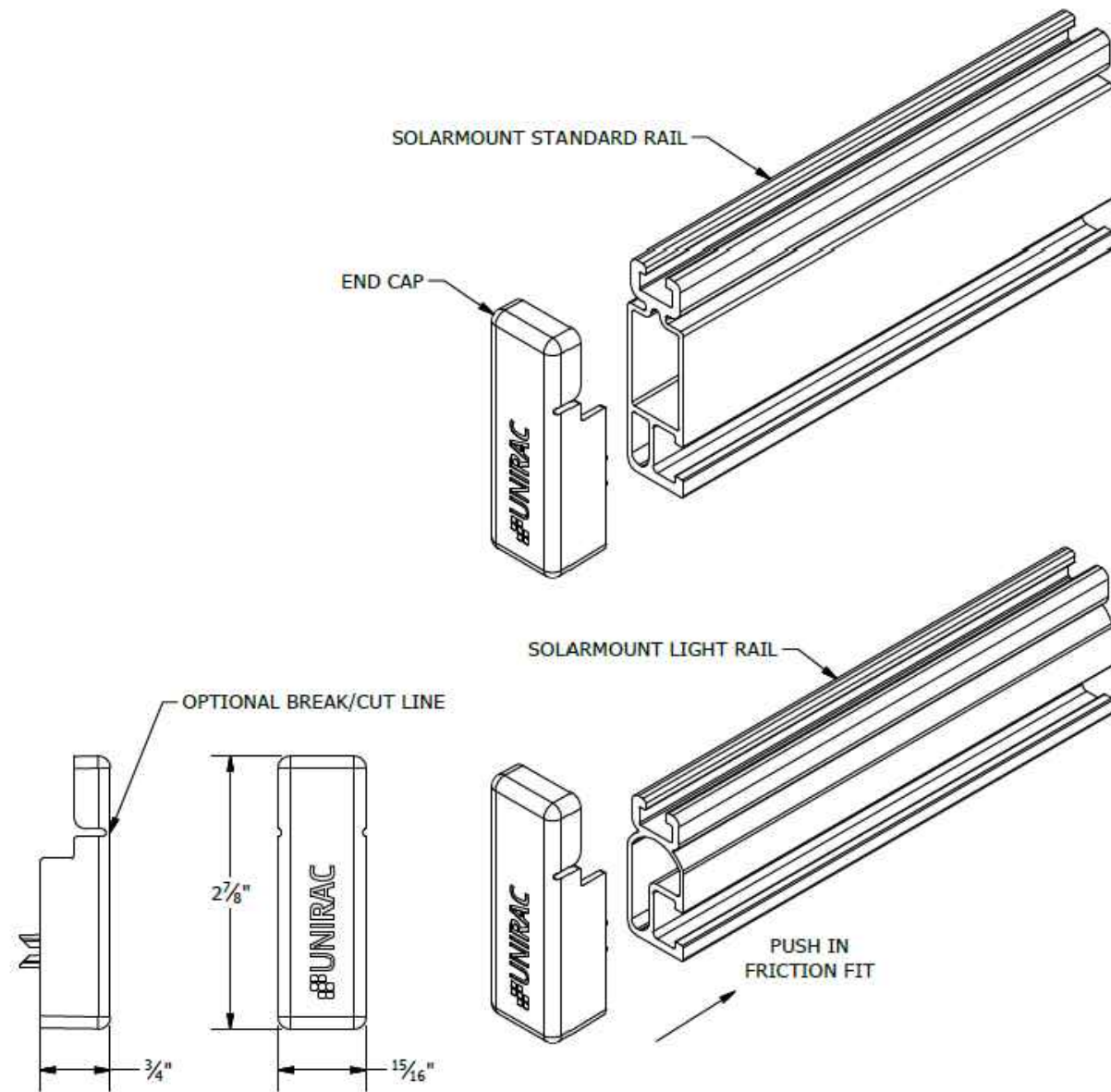
PRODUCT PROTECTED BY
ONE OR MORE US PATENTS

LEGAL NOTICE

SM-P01
SHEET

NOTES:

1. END CAP INCLUDED WITH EVERY END CLAMP.
2. END CAP FITS SOLARMOUNT LIGHT AND STANDARD RAIL PROFILES.



1411 BROADWAY BLVD. NE
ALBUQUERQUE, NM 87102 USA
PHONE: 505.242.6411
WWW.UNIRAC.COM

PRODUCT LINE:	SOLARMOUNT
DRAWING TYPE:	PART DETAIL
DESCRIPTION:	END CAPS
REVISION DATE:	9/27/2017

DRAWING NOT TO SCALE
ALL DIMENSIONS ARE
NOMINAL

PRODUCT PROTECTED BY
ONE OR MORE US PATENTS
LEGAL NOTICE

SM-P04

SHEET



22171 MCH RD
MANDEVILLE, LA 70471
PHONE: 9152011490

PROJECT NAME & ADDRESS

REGINALD WATSON
1082 MELODY LANE,
CAMERON, NC 28326,
USA

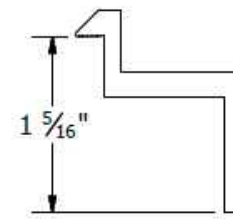
Signature with Seal

REV	DESCRIPTION	DATE

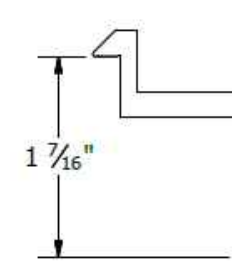
SHEET TITLE
**RESOURCE
DOCUMENT**

DRAWN DATE	12/23/2020
DRAWN BY	AK
REVIEWED BY	-

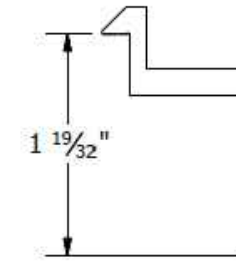
SHEET NUMBER
R-008



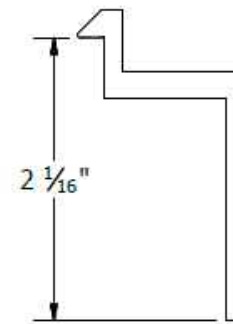
B CLAMP
30mm to 32mm Module Thickness
(1.18" to 1.26")



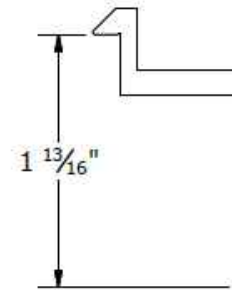
C CLAMP
33mm to 36mm Module Thickness
(1.30" to 1.42")



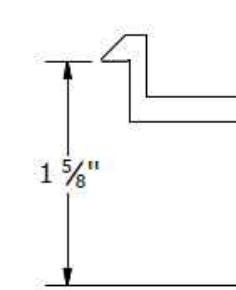
D CLAMP
38mm to 40mm Module Thickness
(1.50" to 1.57")



E CLAMP
50mm to 51mm Module Thickness
(1.97" to 2.00")

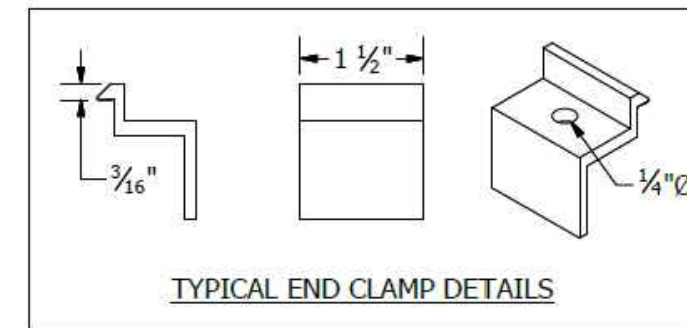


F CLAMP
45mm to 47mm Module Thickness
(1.77" to 1.85")



K CLAMP
39mm to 41mm Module Thickness
(1.54" to 1.61")

PART # TABLE	
P/N	DESCRIPTION
302021C	SM ENDCLAMP B CLR AL
302021D	SM ENDCLAMP B DRK AL
302022C	SM ENDCLAMP C CLR AL
302022D	SM ENDCLAMP C DRK AL
302023C	SM ENDCLAMP D CLR AL
302023D	SM ENDCLAMP D DRK AL
303024C	SM ENDCLAMP E CLR AL
302024D	SM ENDCLAMP E DRK AL
302025C	SM ENDCLAMP F CLR AL
302025D	SM ENDCLAMP F DRK AL
302026C	SM ENDCLAMP K CLR AL
302026D	SM ENDCLAMP K DRK AL



TYPICAL END CLAMP DETAILS



1411 BROADWAY BLVD. NE
ALBUQUERQUE, NM 87102 USA
PHONE: 505.242.6411
WWW.UNIRAC.COM

PRODUCT LINE:	SOLARMOUNT
DRAWING TYPE:	PART DETAIL
DESCRIPTION:	END CLAMPS - TOP MOUNTING
REVISION DATE:	9/27/2017

DRAWING NOT TO SCALE
ALL DIMENSIONS ARE
NOMINAL

PRODUCT PROTECTED BY
ONE OR MORE US PATENTS
LEGAL NOTICE

SM-P05

SHEET



POWERWALL 2 AC

The Tesla Powerwall is a fully-integrated AC battery system for residential or light commercial use. Its rechargeable lithium-ion battery pack provides energy storage for solar self-consumption, load shifting and backup power.

Powerwall's electrical interface provides a simple connection to any home or building. Its revolutionary compact design achieves market-leading energy density and is easy to install, enabling owners to quickly realize the benefits of reliable, clean power.

PERFORMANCE SPECIFICATIONS

AC Voltage (Nominal)	208 V, 220 V, 230 V, 277 V, 100/200 V, 120/240 V
Feed-In Type	Single & Split-Phase
Grid Frequency	50 and 60 Hz
AC Energy ¹	13.2 kWh
Real Power, max continuous ²	5 kW (charge and discharge)
Real Power, peak (10s) ²	7 kW (discharge only)
Apparent Power, max continuous ²	5.8 kVA (charge and discharge)
Apparent Power, peak (10s) ²	7.2 kVA (discharge only)
Imbalance for Single-Phase Loads	100%
Power Factor Output Range	+/- 1.0 adjustable
Power Factor (full-rated power)	+/- 0.85
Depth of Discharge	100%
Internal Battery DC Voltage	50 V
Round Trip Efficiency ^{1,3}	89.0%
Warranty	10 years

¹Values provided for 25°C (77°F), 3.3 kW charge/discharge power.
²Values region-dependent.
³AC to battery to AC, at beginning of life.

ENERGY GATEWAY SPECIFICATIONS

User Interface	Tesla App
Connectivity	Wi-Fi, Ethernet, 3G
AC Meter	Revenue grade
Operating Modes	Support for wide range of usage scenarios
Backup Operation	Optional automatic disconnect switch
Modularity	Supports up to 9 AC-coupled Powerwalls

ENVIRONMENTAL SPECIFICATIONS

Operating Temperature	-20°C to 50°C (-4°F to 122°F)
Storage Temperature	-30°C to 60°C (-22°F to 140°F)
Operating Humidity (RH)	Up to 100%, condensing
Maximum Altitude	3000 m (9843 ft)
Environment	Indoor and outdoor rated
Enclosure Type	NEMA 3R
Ingress Rating	IP67 (Battery & Power Electronics) IP56 (Wiring)
Noise Level @ 1m	<40 dBA at 30°C (86°F)

MECHANICAL SPECIFICATIONS

Dimensions	1150 mm x 755 mm x 155 mm (45.3 in x 29.7 in x 6.1 in)
Weight	122 kg (269 lbs)
Mounting options	Floor or wall mount

COMPLIANCE INFORMATION

Safety	UL 1642, UL 1741, UL 1973, UL 9540, UN 38.3, IEC 62109-1, IEC 62619, CSA C22.2:107.1
Grid Standards	Worldwide Compatibility
Emissions	FCC Part 15 Class B, ICES 003, EN 61000 Class B
Environmental	RoHS Directive 2011/65/EU, WEEE Directive 2012/19/EU, 2006/66/EC
Seismic	AC156, IEEE 693-2005 (high)

POWERWALL Backup Gateway 2

The Backup Gateway 2 for Tesla Powerwall provides energy management and monitoring for solar self-consumption, time-based control, and backup.

The Backup Gateway 2 controls connection to the grid, automatically detecting outages and providing a seamless transition to backup power. When equipped with a main circuit breaker, the Backup Gateway 2 can be installed at the service entrance. When the optional internal panelboard is installed, the Backup Gateway 2 can also function as a load center.

The Backup Gateway 2 communicates directly with Powerwall, allowing you to monitor energy use and manage backup energy reserves from any mobile device with the Tesla app.



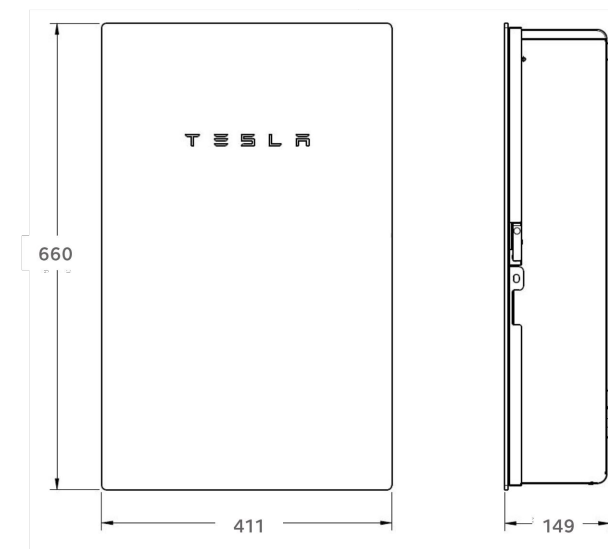
PERFORMANCE SPECIFICATIONS

AC Voltage (Nominal)	120/240V
Feed-In Type	Split Phase
Grid Frequency	60 Hz
Current Rating	200 A
Maximum Input Short Circuit Current	10 kA ¹
Overcurrent Protection Device	100-200A; Service Entrance Rated ¹
Overvoltage Category	Category IV
AC Meter	Revenue accurate (+/- 0.2 %)
Primary Connectivity	Ethernet, Wi-Fi
Secondary Connectivity	Cellular (3G, LTE/4G) ²
User Interface	Tesla App
Operating Modes	Support for solar self-consumption, time-based control, and backup
Backup Transition	Automatic disconnect for seamless backup
Modularity	Supports up to 10 AC-coupled Powerwalls
Optional Internal Panelboard	200A 6-space / 12 circuit Eaton BR Circuit Breakers
Warranty	10 years

¹When protected by Class J fuses, Backup Gateway 2 is suitable for use in circuits capable of delivering not more than 22kA symmetrical amperes.
²The customer is expected to provide internet connectivity for Backup Gateway 2; cellular should not be used as the primary mode of connectivity. Cellular connectivity subject to network operator service coverage and signal strength.

MECHANICAL SPECIFICATIONS

Dimensions	660 mm x 411 mm x 149 mm (26 in x 16 in x 6 in)
Weight	20.4 kg (45 lb)
Mounting options	Wall mount, Semi-flush mount



COMPLIANCE INFORMATION

Certifications	UL 67, UL 869A, UL 916, UL 1741 PCS CSA 22.2 0.19, CSA 22.2 205
Emissions	FCC Part 15, ICES 003

ENVIRONMENTAL SPECIFICATIONS

Operating Temperature	-20°C to 50°C (-4°F to 122°F)
Operating Humidity (RH)	Up to 100%, condensing
Maximum Elevation	3000 m (9843 ft)
Environment	Indoor and outdoor rated
Enclosure Type	NEMA 3R

REVISIONS	DATE			
	DESCRIPTION	REV		