

Gina Smith

32 X 355= 11.36kWDC

32 X 290= 9.28kWAC

(1) Branch circuit of 6 modules

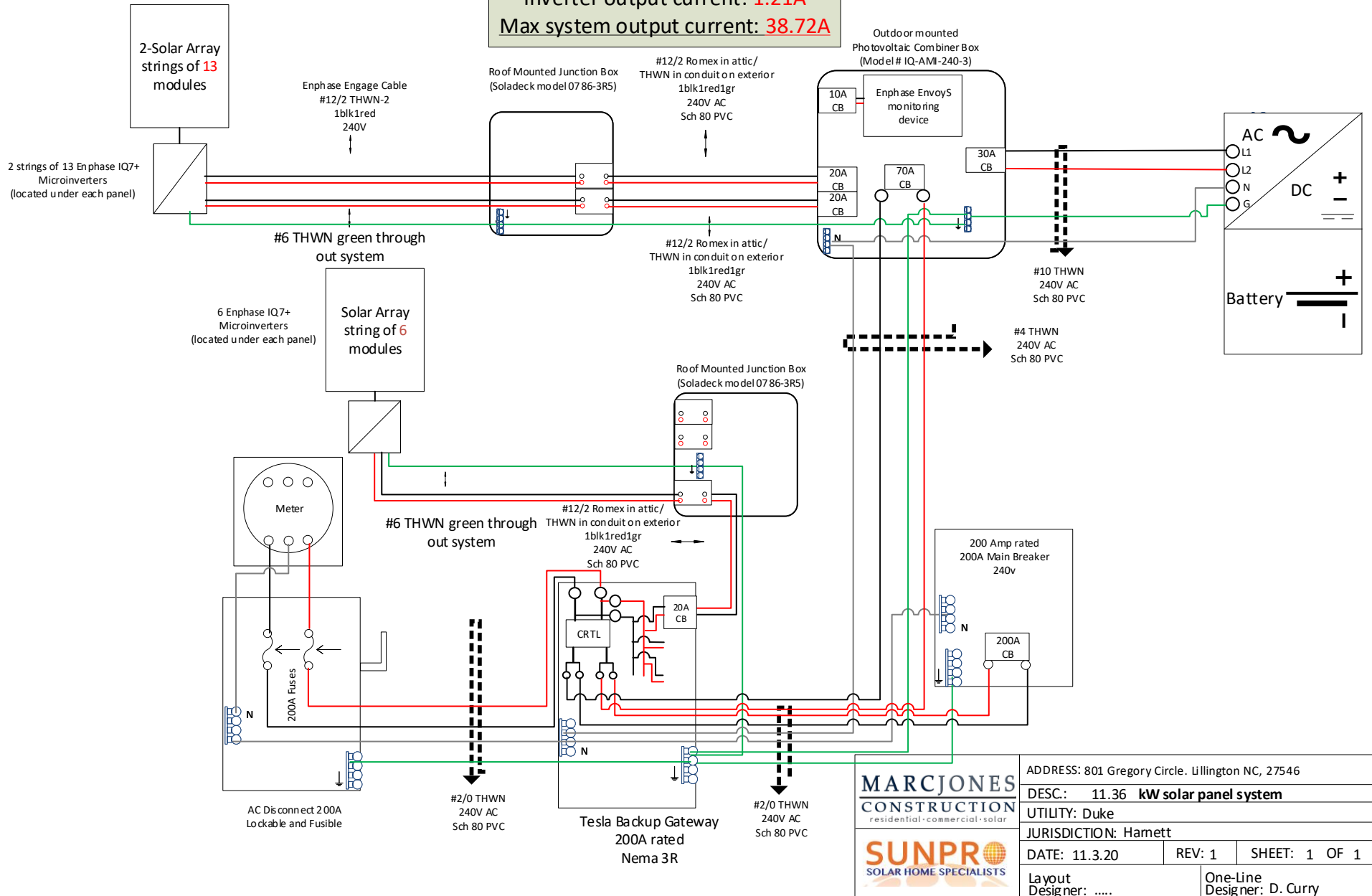
(2) Branch circuits of 13 modules

Inverter output current: 1.21A

Max system output current: 38.72A

PV Module: (32) LG355N1C-N5
Inverter: Enphase Energy (32) IQ7PLUS-72-2-US(240v)
(290va)

Battery: (1) Tesla Powerwall 2
5 KW, 13.5WH Nema 3R (240v)



MARC JONES
CONSTRUCTION
residential · commercial · solar

SUNPRO
SOLAR HOME SPECIALISTS

ADDRESS: 801 Gregory Circle, Lillington NC, 27546		
DESC.: 11.36 kW solar panel system		
UTILITY: Duke		
JURISDICTION: Hamett		
DATE: 11.3.20	REV: 1	SHEET: 1 OF 1
Layout Designer:	One-Line Designer: D. Curry	