

GENERAL NOTES

CODES AND STANDARDS

1. ALL WORK SHALL COMPLY WITH 2017 NATIONAL ELECTRIC CODE (NEC), 2018 NORTH CAROLINA BUILDING CODE (NCBC), 2015 INTERNATIONAL PLUMBING CODE, AND ALL STATE AND LOCAL BUILDING, ELECTRICAL, AND PLUMBING CODES.
2. DRAWINGS HAVE BEEN DETAILED ACCORDING TO UL LISTING REQUIREMENTS.

SITE NOTES / OSHA REGULATION

1. A LADDER SHALL BE IN PLACE FOR INSPECTION IN COMPLIANCE WITH OSHA REGULATIONS.
2. THE PV MODULES ARE CONSIDERED NON-COMBUSTIBLE AND THIS SYSTEM IS AN UTILITY INTERACTIVE SYSTEM WITH NO STORAGE BATTERIES.
3. THE SOLAR PV INSTALLATION SHALL NOT OBSTRUCT ANY PLUMBING, MECHANICAL, OR BUILDING ROOF VENTS.
4. ROOF COVERINGS SHALL BE DESIGNED, INSTALLED, AND MAINTAINED IN ACCORDANCE WITH THIS CODE AND THE APPROVED MANUFACTURER'S INSTRUCTIONS SUCH THAT THE ROOF COVERING SHALL SERVE TO PROTECT THE BUILDING OR STRUCTURE.

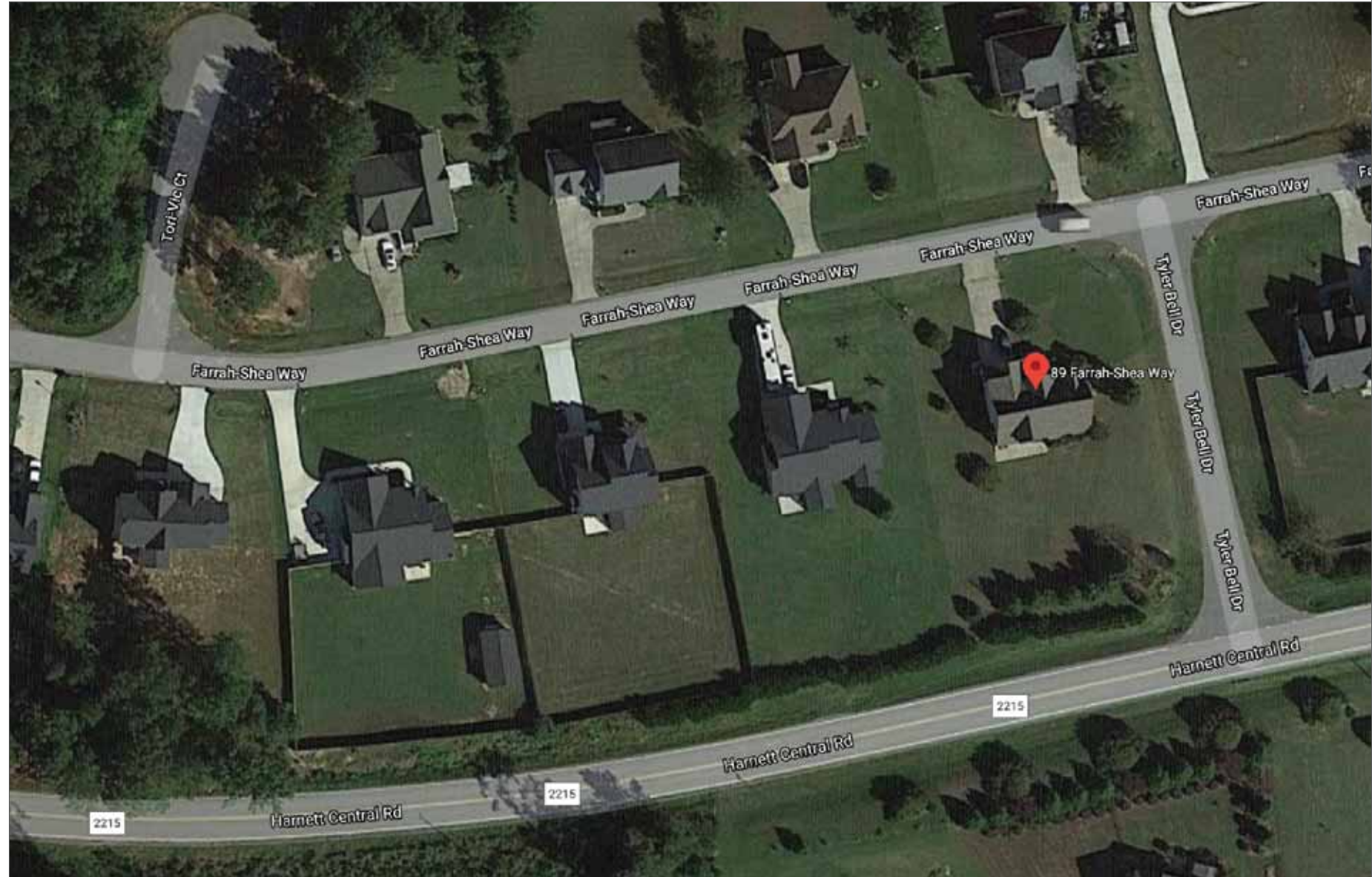
SOLAR CONTRACTOR

1. MODULE CERTIFICATIONS WILL INCLUDE UL1703, IEC61646, IEC61730.
2. IF APPLICABLE, MODULE GROUNDING LUGS MUST BE INSTALLED AT THE MARKED GROUNDING LUG HOLES PER THE MANUFACTURERS' INSTALLATION REQUIREMENTS.
3. AS INDICATED BY DESIGN, OTHER NRTL LISTED MODULE GROUNDING DEVICES MAY BE USED IN PLACE OF STANDARD GROUNDING LUGS AS SHOWN IN MANUFACTURER DOCUMENTATION AND APPROVED BY THE AHJ.
4. CONDUIT AND WIRE SPECIFICATIONS ARE BASED ON MINIMUM CODE REQUIREMENTS AND ARE NOT MEANT TO LIMIT UP-SIZING AS REQUIRED BY FIELD CONDITIONS.
5. CONDUIT POINT OF PENETRATION FROM EXTERIOR TO INTERIOR TO BE INSTALLED AND SEALED WITH A SUITABLE SEALING COMPOUND.
6. DC WIRING LIMITED TO MODULE FOOTPRINT W/ ENPHASE AC SYSTEM.
7. ENPHASE WIRING SYSTEMS SHALL BE LOCATED AND SECURED UNDER THE ARRAY W/ SUITABLE WIRING CLIPS.
8. MAX DC VOLTAGE CALCULATED USING MANUFACTURER PROVIDED TEMP COEFFICIENT FOR VOC UNLESS NOT AVAILABLE.
9. ALL INVERTERS, MOTOR GENERATORS, PHOTOVOLTAIC MODULES, PHOTOVOLTAIC PANELS, AC PHOTOVOLTAIC MODULES, DC COMBINERS, DC-TO-DC CONVERTERS, SOURCE CIRCUIT COMBINERS, AND CHARGE CONTROLLERS INTENDED FOR USE IN A PHOTOVOLTAIC POWER SYSTEM WILL BE IDENTIFIED AND LISTED FOR THE APPLICATION PER 690.4 (B).
10. ALL SIGNAGE TO BE PLACED IN ACCORDANCE WITH LOCAL BUILDING CODE.
11. TERMINALS AND LUGS WILL BE TIGHTENED TO MANUFACTURER TORQUE SPECIFICATIONS (WHEN PROVIDED) IN ACCORDANCE WITH NEC CODE 110.14(D) ON ALL ELECTRICAL CONNECTIONS.

EQUIPMENT LOCATIONS

1. PROPER ACCESS AND WORKING CLEARANCE AROUND EXISTING AND PROPOSED ELECTRICAL EQUIPMENT WILL BE PROVIDED AS PER SECTION [NEC 110.26].
2. EQUIPMENT INSTALLED IN DIRECT SUNLIGHT MUST BE RATED FOR EXPECTED OPERATING TEMPERATURE AS SPECIFIED BY [NEC 690.31 (A)-(B)] AND [NEC TABLE 310.15 (B)].
3. ADDITIONAL AC DISCONNECTS SHALL BE PROVIDED WHERE THE INVERTER IS NOT ADJACENT TO THE UTILITY AC DISCONNECT, OR NOT WITHIN SIGHT OF THE UTILITY AC DISCONNECT.
4. ALL EQUIPMENT SHALL BE INSTALLED ACCESSIBLE TO QUALIFIED PERSONNEL ACCORDING TO NEC APPLICABLE CODES.
5. ALL COMPONENTS ARE LISTED FOR THEIR PURPOSE AND RATED FOR OUTDOOR USAGE WHEN APPROPRIATE.

AERIAL VIEW



DESIGN CRITERIA
 WIND SPEED: 115 MPH
 GROUND SNOW LOAD: 15 PSF
 WIND EXPOSURE FACTOR: C
 SEISMIC DESIGN CATEGORY: B

SITE SPECIFICATIONS
 OCCUPANCY - R3
 CONSTRUCTION - V-B
 ZONING: RESIDENTIAL

SCOPE OF WORK
 INSTALLATION OF UTILITY INTERACTIVE PHOTOVOLTAIC SOLAR SYSTEM
 12.48 kW DC PHOTOVOLTAIC SOLAR ARRAY
 ROOF TYPE: Comp Shingle
 MODULES: (39) Trina 320
 INVERTER(S): Enphase IQ7 Microinverters,----
 RACKING: Unirac SFM Infinity

SHEET INDEX
 PV1 - COVER SHEET
 PV2 - PROPERTY PLAN
 PV3 - SITE PLAN
 PV4 - EQUIPMENT & ATTACHMENT DETAIL
 PV5 - ELECTRICAL SINGLE LINE DIAGRAM
 PV6 - ELECTRICAL CALCULATIONS & ELECTRICAL NOTES
 PV7 - MAIN BREAKER DERATE CALCS. (IF NEEDED)
 PV8 - LABELS & LOCATIONS
 PV9 - CUSTOM DIRECTORY PLACARD (IF NEEDED - NEC 690.56(B))



1403 N RESEARCH WAY, BUILDING J
 OREM, UT 84097
 800-377-4480
 WWW.BLUERAVENSOLAR.COM

CONFIDENTIAL - THE INFORMATION HEREIN CONTAINED SHALL NOT BE USED FOR THE BENEFIT OF ANYONE EXCEPT BLUERAVENSOLAR NOR SHALL IT BE DISCLOSED IN WHOLE OR IN PART TO OTHERS OUTSIDE RECIPIENTS ORGANIZATION, EXCEPT IN CONNECTION WITH THE SALE AND USE OF THE RESPECTIVE EQUIPMENT, WITHOUT THE WRITTEN PERMISSION OF BLUERAVENSOLAR LLC.

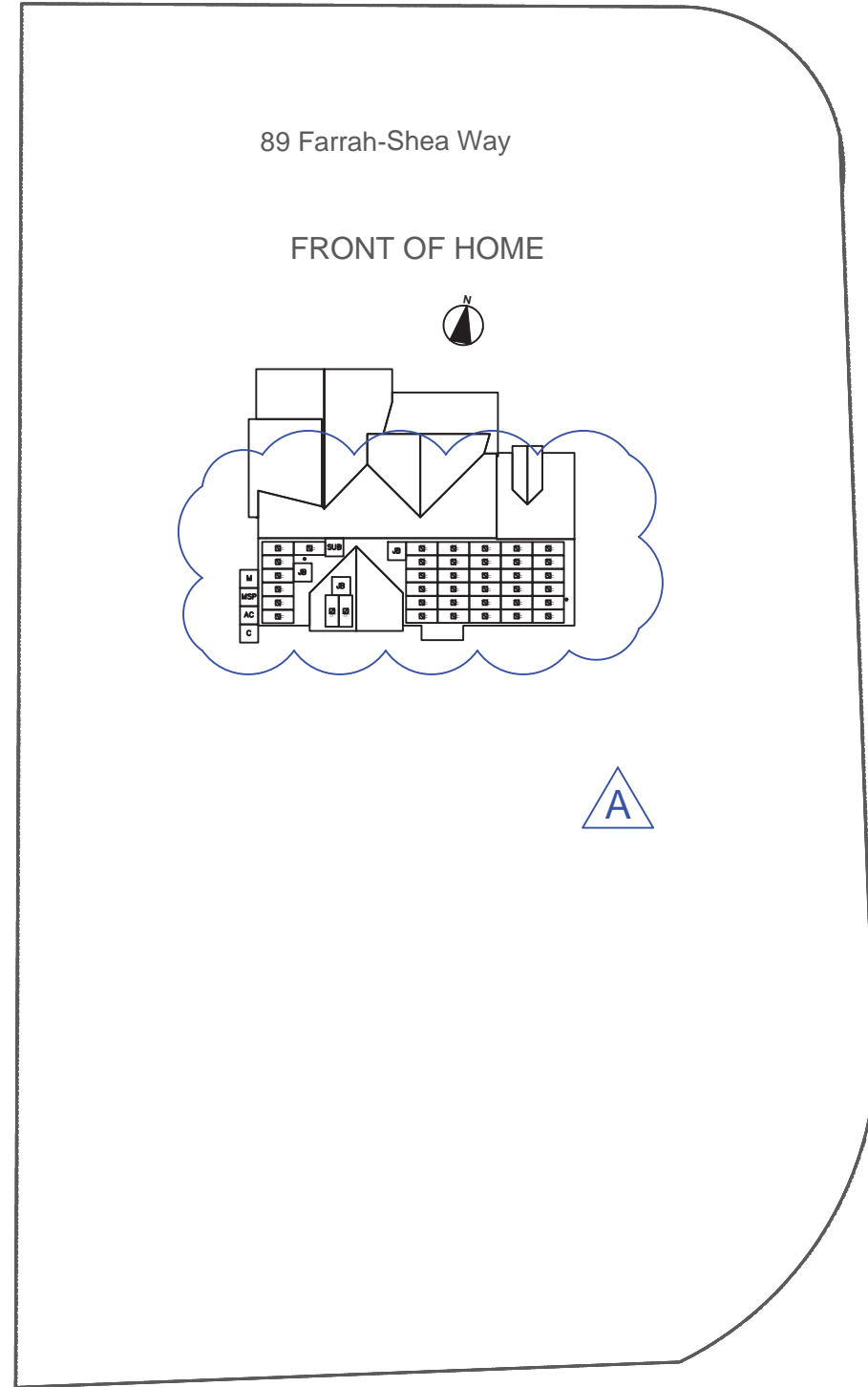


CONTRACTOR:
 BRS FIELD OPS
 385.498.6700

SITE INFORMATION:

David Myers
 89 Farrah-Shea Way
 Angier, North Carolina 27501

DRAWING BY Dylan Wakefield	
DATE April 20, 2020	
PROJECT NUMBER 75467008	
SHEET NAME COVER SHEET	
PAGE NUMBER PV1	REVISION 0



LEGEND

- INV INVERTER & DC DISCONNECT
- SUB (E) SUBPANEL
- LC (N) LOAD CENTER
- AC AC DISCONNECT
- M UTILITY METER
- MSP MAIN SERVICE PANEL
- JB JUNCTION BOX
- TS TRANSFER SWITCH
- C COMBINER BOX/AGGREGATOR
- PV PV REVENUE METER
- FIRE SETBACK
- EMT CONDUIT RUN (TO BE DETERMINED IN FIELD)
- PV WIRE STRING
- PROPERTY LINE



1403 N RESEARCH WAY, BUILDING J
OREM, UT 84097

800-377-4480
WWW.BLUERAVENSOLAR.COM

CONFIDENTIAL - THE INFORMATION
HEREIN CONTAINED SHALL NOT BE
USED FOR THE BENEFIT OF
ANYONE EXCEPT
BLUERAVENSOLAR NOR SHALL IT
BE DISCLOSED IN WHOLE OR IN
PART TO OTHERS OUTSIDE
RECIPIENTS ORGANIZATION,
EXCEPT IN CONNECTION WITH THE
SALE AND USE OF THE RESPECTIVE
EQUIPMENT, WITHOUT THE
WRITTEN PERMISSION OF
BLUERAVENSOLAR LLC.



CONTRACTOR:
BRS FIELD OPS
385.498.6700

SITE INFORMATION:

David Myers
89 Farrah-Shea Way
Angier, North Carolina 27501

DRAWING BY
Christian Sage

DATE
July 16, 2020

PROJECT NUMBER
75467008

SHEET NAME
PROPERTY PLAN

PAGE NUMBER
PV2

REVISION
A



1403 N RESEARCH WAY, BUILDING J
OREM, UT 84097

800-377-4480
WWW.BLUERAVENSOLAR.COM

CONFIDENTIAL - THE INFORMATION
HEREIN CONTAINED SHALL NOT BE
USED FOR THE BENEFIT OF
ANYONE EXCEPT
BLUERAVENSOLAR NOR SHALL IT
BE DISCLOSED IN WHOLE OR IN
PART TO OTHERS OUTSIDE
RECIPIENTS ORGANIZATION,
EXCEPT IN CONNECTION WITH THE
SALE AND USE OF THE RESPECTIVE
EQUIPMENT, WITHOUT THE
WRITTEN PERMISSION OF
BLUERAVENSOLAR LLC.



PROFESSIONAL
PV INSTALLATION
Scott Gurney
PV-011719-015866

CONTRACTOR:
BRS FIELD OPS
385.498.6700

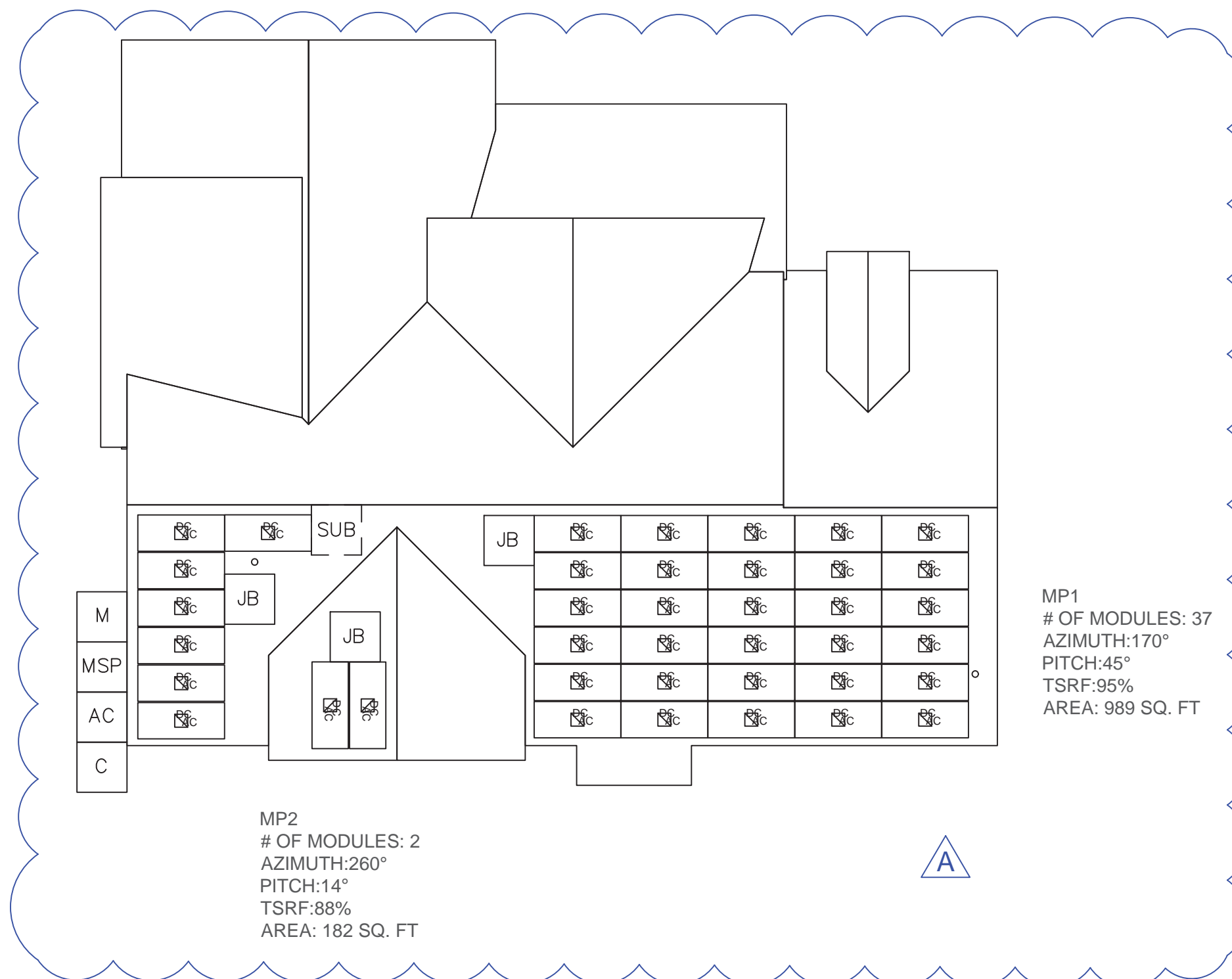
LEGEND

- INV INVERTER & DC DISCONNECT
- SUB (E) SUBPANEL
- LC (N) LOAD CENTER
- AC AC DISCONNECT
- M UTILITY METER
- MSP MAIN SERVICE PANEL
- JB JUNCTION BOX
- TS TRANSFER SWITCH
- C COMBINER BOX/AGGREGATOR
- PV PV REVENUE METER
- FIRE SETBACK
- EMT CONDUIT RUN
(TO BE DETERMINED IN FIELD)
- PV WIRE STRING
- PROPERTY LINE

SCALE: 1/8" = 1'-0"



FRONT OF HOME



MP1
OF MODULES: 37
AZIMUTH:170°
PITCH:45°
TSRF:95%
AREA: 989 SQ. FT

MP2
OF MODULES: 2
AZIMUTH:260°
PITCH:14°
TSRF:88%
AREA: 182 SQ. FT

Sealed For
Existing Roof &
Attachment Only



Digitally signed by John
Calvert
Date: 2020.07.28
09:36:31 -06'00'

7/28/2020

Firm No. : D-0369

SITE INFORMATION:

David Myers
89 Farrah-Shea Way
Angier, North Carolina 27501

DRAWING BY
Christian Sage

DATE
July 16, 2020

PROJECT NUMBER
75467008

SHEET NAME
SITE PLAN

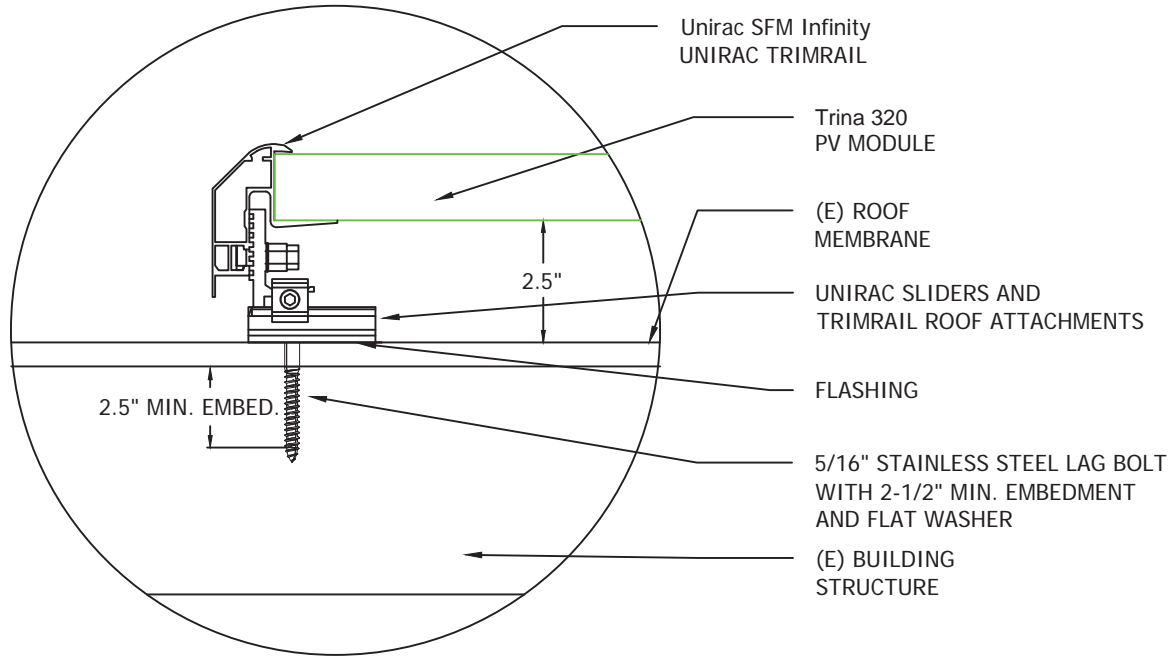
PAGE NUMBER
PV3

REVISION
A

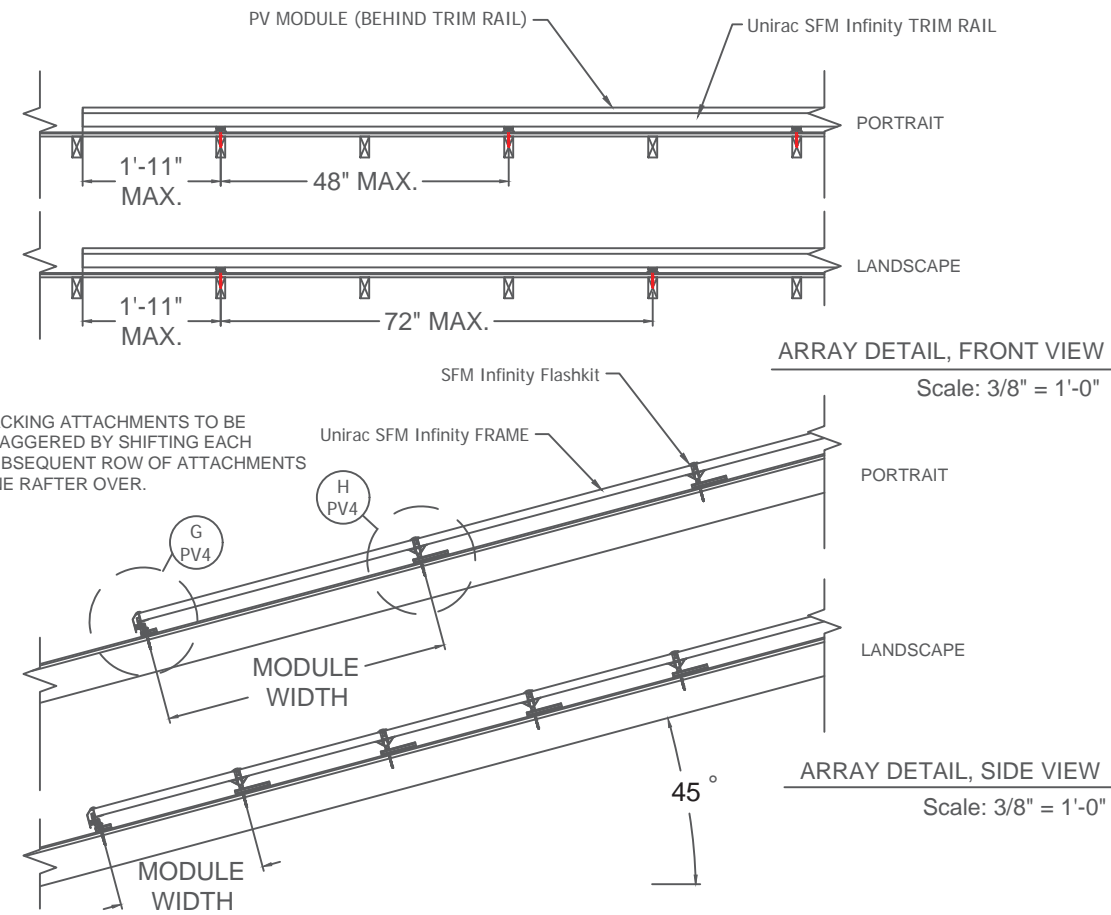
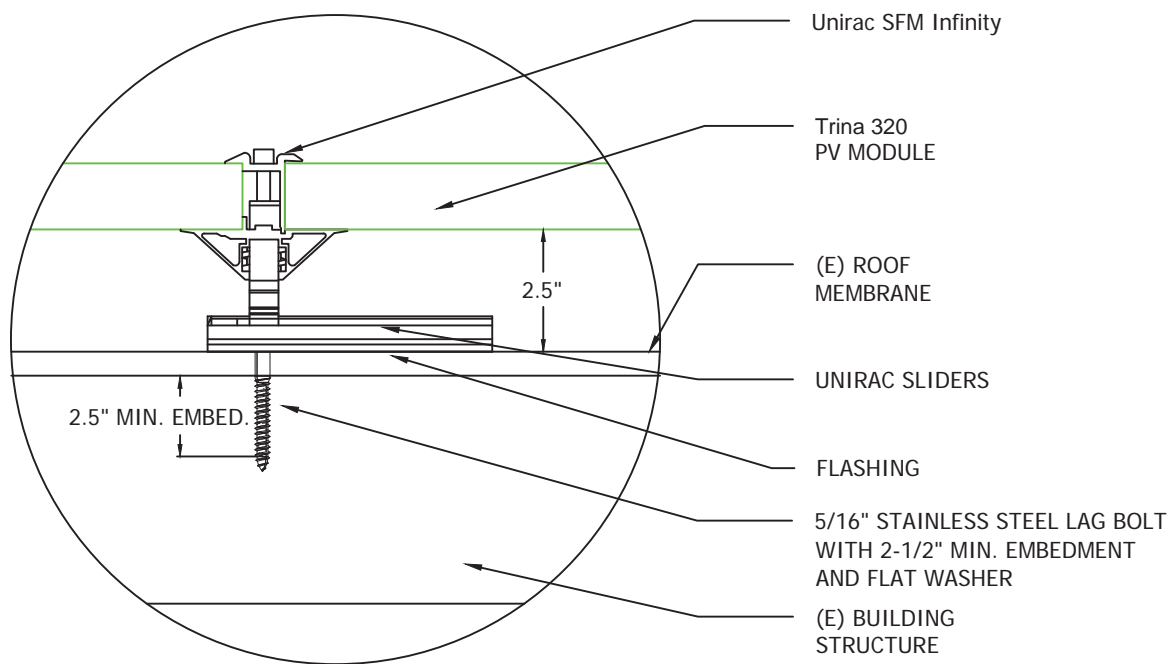
PV ARRAY INFORMATION

PV MODULE COUNT: 39 MODULES
OF ATTACHMENT POINTS: 69
ARRAY AREA: Module Count x 17.51ft² = 682.9ft²
ROOF AREA: 2211.0ft²
% OF ARRAY/ROOF: 30.9%
ARRAY WEIGHT: Module Count x 50lbs = 1950.0lbs
DISTRIBUTED LOAD: Array Weight ÷ Array Area = 2.86 lbs/ft²
POINT LOAD: Array Weight ÷ Attachments = 28.3lbs/attachment

DETAIL, BOTTOM STANDOFF
 Scale: 3" = 1'-0"
 G



DETAIL, MIDDLE/TOP STANDOFF
 Scale: 3" = 1'-0"
 H



ROOF TYPE: Comp Shingle
 ROOF FRAMING TYPE: Rafter
 RAFTER OR TOP CHORD(TRUSS) 2x8 @ 24"O.C.
 CEILING JOIST OR BOTTOM CHORD(TRUSS) 2x8 @ 24"O.C.

Sealed For Existing Roof & Attachment Only



7/28/2020

Firm No. : D-0369



1403 N RESEARCH WAY, BUILDING J
 OREM, UT 84097
 800-377-4480
 WWW.BLUERAVENSOLAR.COM

CONFIDENTIAL - THE INFORMATION HEREIN CONTAINED SHALL NOT BE USED FOR THE BENEFIT OF ANYONE EXCEPT BLUERAVENSOLAR NOR SHALL IT BE DISCLOSED IN WHOLE OR IN PART TO OTHERS OUTSIDE RECIPIENTS ORGANIZATION, EXCEPT IN CONNECTION WITH THE SALE AND USE OF THE RESPECTIVE EQUIPMENT, WITHOUT THE WRITTEN PERMISSION OF BLUERAVENSOLAR LLC.



CONTRACTOR:
 BRS FIELD OPS
 385.498.6700

SITE INFORMATION:
 David Myers
 89 Farrah-Shea Way
 Angier, North Carolina 27501

DRAWING BY
 Dylan Wakefield

DATE
 April 20, 2020

PROJECT NUMBER
 75467008

SHEET NAME
EQUIP. DETAIL

PAGE NUMBER	REVISION
PV4	0

15	(1) 6 AWG THHN/THWN-2, CU., BLACK (L1)	39.0 A AC 240 V AC	3	(3) 10 AWG THHN/THWN-2, CU., BLACK (L1)	MAX 13.0 A AC 240 V AC	2	(1) 10 - 2 UF-B (or NM) W/G, THHN/THWN-2, SC	MAX 13.0 A AC 240 V AC	1	(1) 12-2 TC-ER, THHN/THWN-2, CU.	MAX 13.0 A AC 240 V AC
	(1) 6 AWG THHN/THWN-2, CU., RED (L2)			(3) 10 AWG THHN/THWN-2, CU., RED (L2)						(1) 6 AWG BARE, CU (EGC)	
	(1) 10 AWG THHN/THWN-2, CU., WHITE (N)			(1) 10 AWG THHN/THWN-2, CU., GREEN (EGC)							
	(1) 10 AWG THHN/THWN-2, CU., GREEN (EGC)										
	(1) 3/4 INCH EMT	EXTERIOR		(1) 3/4 INCH EMT	EXTERIOR			INTERIOR			EXTERIOR



1403 N RESEARCH WAY, BUILDING J
OREM, UT 84097
800-377-4480
WWW.BLUERAVENSOLAR.COM

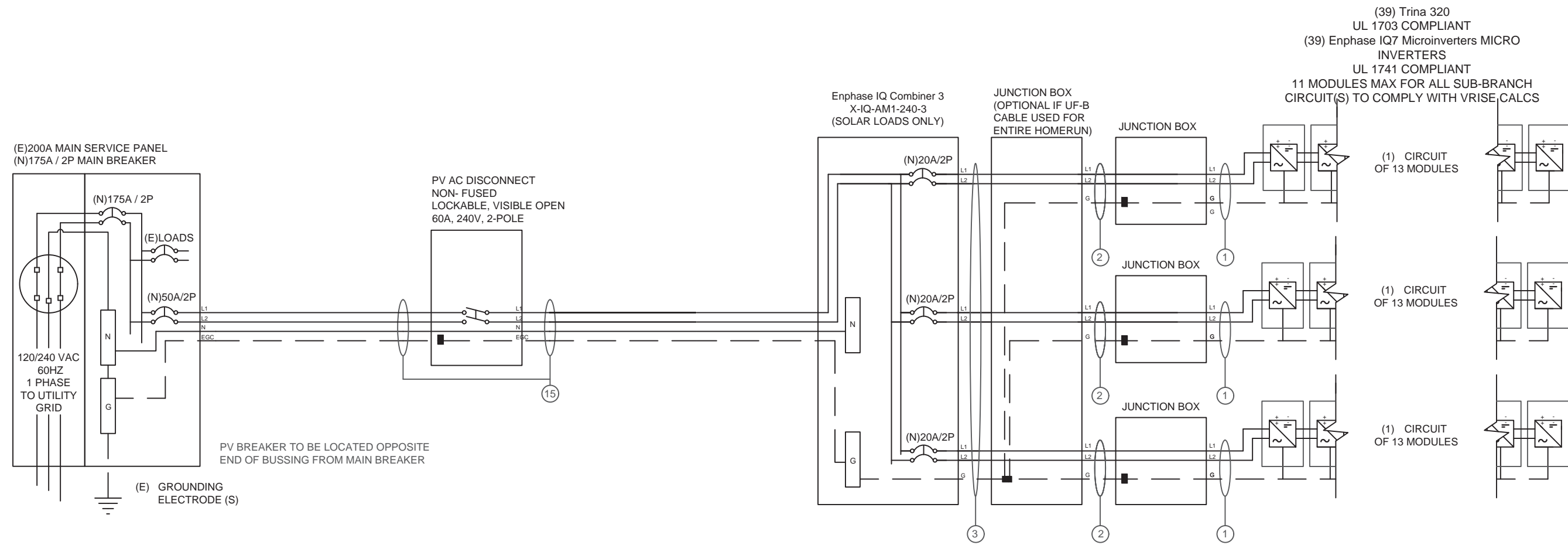
CONFIDENTIAL - THE INFORMATION
HEREIN CONTAINED SHALL NOT BE
USED FOR THE BENEFIT OF
ANYONE EXCEPT
BLUERAVENSOLAR NOR SHALL IT
BE DISCLOSED IN WHOLE OR IN
PART TO OTHERS OUTSIDE
RECIPIENTS ORGANIZATION,
EXCEPT IN CONNECTION WITH THE
SALE AND USE OF THE RESPECTIVE
EQUIPMENT, WITHOUT THE
WRITTEN PERMISSION OF
BLUERAVENSOLAR LLC.



CONTRACTOR:
BRS FIELD OPS
385.498.6700

SITE INFORMATION:
David Myers
89 Farrah-Shea Way
Angier, North Carolina 27501
DC SYSTEM SIZE: 12.48 kW DC

39 INVERTERS x 240 W AC = 9.36 kW AC
PANEL WATTAGE = 320 W DC



INTERCONNECTION NOTES

1. ONE OF THE METHODS THAT FOLLOWS SHALL BE USED TO DETERMINE THE RATINGS OF BUSBARS AND PANELBOARDS. (a) THE SUM OF 125 PERCENT OF THE INVERTER(S) OUTPUT CIRCUIT CURRENT AND THE RATING OF THE OVERCURRENT DEVICE PROTECTING THE BUSBAR SHALL NOT EXCEED THE AMPACITY OF THE BUS BAR. (b) WHERE TWO SOURCES, ONE THE UTILITY AND THE OTHER AN INVERTER ARE LOCATED AT OPPOSITE ENDS OF A BUSBAR THAT CONTAINS LOADS, THE SUM OF 125 PERCENT OF THE INVERTER(S) OUTPUT CIRCUIT CURRENT AND THE RATING OF THE OVERCURRENT DEVICE PROTECTING THE BUSBAR SHALL NOT EXCEED 120 PERCENT OF THE AMPACITY OF THE BUSBAR [NEC 705.12].

DISCONNECT NOTES

1. DISCONNECTING SWITCHES SHALL BE WIRED SUCH THAT WHEN THE SWITCH IS OPENED THE CONDUCTORS REMAINING LIVE ARE CONNECTED TO THE TERMINALS MARKED "LINE SIDE" (TYPICALLY THE UPPER TERMINALS)
2. AC DISCONNECT MUST BE ACCESSIBLE TO QUALIFIED UTILITY PERSONNEL, BE LOCKABLE, AND BE A VISIBLE-BREAK SWITCH



DRAWING BY Dylan Wakefield	
DATE April 20, 2020	
PROJECT NUMBER 75467008	
SHEET NAME ELEC. 3 LINE DIAG.	
PAGE NUMBER PV5	REVISION 0

MODULE SPECIFICATIONS	Trinasolar 320 TSM-DD06M.05(11)
RATED POWER (STC)	320 W
MODULE VOC	40.3 V DC
MODULE VMP	33.4 V DC
MODULE IMP	9.58 A DC
MODULE ISC	10.2 A DC
VOC CORRECTION	-0.26 %/°C
VMP CORRECTION	-0.36 %/°C
SERIES FUSE RATING	20 A DC
ADJ. MODULE VOC @ ASHRAE LOW TEMP	44.0 V DC
ADJ. MODULE VMP @ ASHRAE 2% AVG. HIGH TEMP	28.3 V DC

MICROINVERTER SPECIFICATIONS	Enphase IQ7 Microinverters
POWER POINT TRACKING (MPPT) MIN/MAX	22 - 48 V DC
MAXIMUM INPUT VOLTAGE	48 V DC
MAXIMUM DC SHORT CIRCUIT CURRENT	15 A DC
MAXIMUM USABLE DC INPUT POWER	350 W
MAXIMUM OUTPUT CURRENT	1 A AC
AC OVERCURRENT PROTECTION	20 A
MAXIMUM OUTPUT POWER	240 W
CEC WEIGHTED EFFICIENCY	97 %

AC PHOTOVOLTAIC MODULE MARKING (NEC 690.52)	
NOMINAL OPERATING AC VOLTAGE	240 V AC
NOMINAL OPERATING AC FREQUENCY	47 - 68 HZ AC
MAXIMUM AC POWER	240 VA AC
MAXIMUM AC CURRENT	1.0 A AC
MAXIMUM OCPD RATING FOR AC MODULE	20 A AC

DESIGN LOCATION AND TEMPERATURES	
TEMPERATURE DATA SOURCE	ASHRAE 2% AVG. HIGH TEMP
STATE	North Carolina
CITY	Angier
WEATHER STATION	SEYMOUR JOHNSON AFB
ASHRAE EXTREME LOW TEMP (°C)	-10
ASHRAE 2% AVG. HIGH TEMP (°C)	35

SYSTEM ELECTRICAL SPECIFICATIONS	CIR 1	CIR 2	CIR 3	CIR 4	CIR 5	CIR 6
NUMBER OF MODULES PER MPPT	13	13	13			
DC POWER RATING PER CIRCUIT (STC)	4160	4160	4160			
TOTAL MODULE NUMBER	39 MODULES					
STC RATING OF ARRAY	12480W DC					
AC CURRENT @ MAX POWER POINT (IMP)	13.0	13.0	13.0			
MAX. CURRENT (IMP X 1.25)	16.25	16.25	16.25			
OCPD CURRENT RATING PER CIRCUIT	20	20	20			
MAX. COMB. ARRAY AC CURRENT (IMP)	39.0					
MAX. ARRAY AC POWER	9360W AC					

AC VOLTAGE RISE CALCULATIONS	DIST (FT)	COND.	√RISE(V)	VEND(V)	%VRISE	IQ7-11
VRISE SEC. 1 (MICRO TO JBOX)	39.6	12 Cu.	1.76	241.76	0.73%	
VRISE SEC. 2 (JBOX TO COMBINER BOX)	50	10 Cu.	1.65	241.65	0.69%	
VRISE SEC. 3 (COMBINER BOX TO POI)	15	6 Cu.	0.60	240.60	0.25%	
TOTAL VRISE			4.01	244.01	1.67%	

PHOTOVOLTAIC AC DISCONNECT OUTPUT LABEL (NEC 690.54)	
AC OUTPUT CURRENT	39.0 A AC
NOMINAL AC VOLTAGE	240 V AC

CONDUCTOR SIZE CALCULATIONS		
MICROINVERTER TO JUNCTION BOX (1)	MAX. SHORT CIRCUIT CURRENT (ISC) =	13.0 A AC
	MAX. CURRENT (ISC X1.25) =	16.3 A AC
	CONDUCTOR (TC-ER, COPPER (90°C)) =	12 AWG
	CONDUCTOR RATING =	30 A
	AMB. TEMP. AMP. CORRECTION =	0.96
	ADJUSTED AMP. =	28.8 > 16.3
JUNCTION BOX TO JUNCTION BOX (2)	MAX. SHORT CIRCUIT CURRENT (ISC) =	13.0 A AC
	MAX. CURRENT (ISC X1.25) =	16.3 A AC
	CONDUCTOR (UF-B, COPPER (60°C)) =	10 AWG
	CONDUCTOR RATING =	30 A
	CONDUIT FILL DERATE =	1
	AMB. TEMP. AMP. CORRECTION =	0.96
	ADJUSTED AMP. =	28.8 > 16.3
JUNCTION BOX TO COMBINER BOX (3)	MAX. SHORT CIRCUIT CURRENT (ISC) =	13.0 A AC
	MAX. CURRENT (ISC X1.25) =	16.3 A AC
	CONDUCTOR (UF-B, COPPER (60°C)) =	10 AWG
	CONDUCTOR RATING =	30 A
	CONDUIT FILL DERATE =	0.8
	AMB. TEMP. AMP. CORRECTION =	0.96
	ADJUSTED AMP. =	23.04 > 16.3
COMBINER BOX TO MAIN PV OCPD (15)	INVERTER RATED AMPS =	39.0 A AC
	MAX. CURRENT (RATED AMPS X1.25) =	48.75 A AC
	CONDUCTOR (THWN-2, COPPER (75°C TERM.)) =	6 AWG
	CONDUCTOR RATING =	65 A
	CONDUIT FILL DERATE =	1
	AMB. TEMP. AMP. CORRECTION =	0.96
	ADJUSTED AMP. =	62.4 > 48.8



1403 N RESEARCH WAY, BUILDING J
OREM, UT 84097
800-377-4480
WWW.BLUERAVENSOLAR.COM

CONFIDENTIAL - THE INFORMATION HEREIN CONTAINED SHALL NOT BE USED FOR THE BENEFIT OF ANYONE EXCEPT BLUERAVENSOLAR NOR SHALL IT BE DISCLOSED IN WHOLE OR IN PART TO OTHERS OUTSIDE RECIPIENTS ORGANIZATION, EXCEPT IN CONNECTION WITH THE SALE AND USE OF THE RESPECTIVE EQUIPMENT, WITHOUT THE WRITTEN PERMISSION OF BLUERAVENSOLAR LLC.



CONTRACTOR:
BRS FIELD OPS
385.498.6700

GROUNDING NOTES

- A GROUNDING ELECTRODE SYSTEM IN ACCORDANCE WITH [NEC 690-47] AND [NEC 250-50] THROUGH [NEC 250-60] SHALL BE PROVIDED. PER NEC, GROUNDING ELECTRODE SYSTEM OF EXISTING BUILDING MAY BE USED AND BONDED TO AT THE SERVICE ENTRANCE. IF EXISTING SYSTEM IS INACCESSIBLE, OR INADEQUATE, OR IS ONLY METALLIC WATER PIPING, A SUPPLEMENTAL GROUNDING ELECTRODE WILL BE USED AT THE INVERTER LOCATION CONSISTING OF A UL LISTED 8 FT GROUND ROD WITH ACORN CLAMP.
- THE GROUNDING ELECTRODE CONDUCTOR SHALL BE PROTECTED FROM PHYSICAL DAMAGE BETWEEN THE GROUNDING ELECTRODE AND THE PANEL (OR INVERTER) IF SMALLER THAN #6 AWG COPPER WIRE PER NEC 250-64B. THE GROUNDING ELECTRODE CONDUCTOR WILL BE CONTINUOUS, EXCEPT FOR SPLICES OR JOINTS AT BUSBARS WITHIN LISTED EQUIPMENT PER [NEC 250.64C].
- GROUNDING ELECTRODE CONDUCTORS SHALL BE NO LESS THAN #8 AWG AND NO GREATER THAN #6 AWG COPPER AND BONDED TO THE EXISTING GROUNDING ELECTRODE TO PROVIDE FOR A COMPLETE SYSTEM.
- PV SYSTEM SHALL BE GROUNDED IN ACCORDANCE TO [NEC 250.21], [NEC TABLE 250.122], AND ALL METAL PARTS OR MODULE FRAMES ACCORDING TO [NEC 690.46].
- MODULE SOURCE CIRCUITS SHALL BE GROUNDED IN ACCORDANCE TO [NEC 690.42].
- THE GROUNDING CONNECTION TO A MODULE SHALL BE ARRANGED SUCH THAT THE REMOVAL OF A MODULE DOES NOT INTERRUPT A GROUNDED CONDUCTOR TO ANOTHER MODULE.
- EACH MODULE WILL BE GROUNDED USING THE SUPPLIED CONNECTIONS POINTS IDENTIFIED IN THE MANUFACTURER'S INSTALLATION INSTRUCTIONS.
- ENCLOSURES SHALL BE PROPERLY PREPARED WITH REMOVAL OF PAINT/FINISH AS APPROPRIATE WHEN GROUNDING EQUIPMENT WITH TERMINATION GROUNDING LUGS.
- GROUNDING SYSTEM COMPONENTS SHALL BE LISTED FOR THEIR PURPOSE, AND GROUNDING DEVICES EXPOSED TO THE ELEMENTS SHALL BE RATED FOR DIRECT BURIAL.
- GROUNDING AND BONDING CONDUCTORS SHALL BE COPPER, SOLID OR

STRANDED, AND BARE WHEN EXPOSED.

- EQUIPMENT GROUNDING CONDUCTORS SHALL BE SIZE ACCORDING TO [NEC 690.45] AND BE A MINIMUM OF #10AWG WHEN NOT EXPOSED TO DAMAGE (#6AWG SHALL BE USED WHEN EXPOSED TO DAMAGE).
- GROUNDING AND BONDING CONDUCTORS, IF INSULATED, SHALL BE COLOR CODED GREEN (OR MARKED GREEN IF #4 AWG OR LARGER)
- ALL CONDUIT BETWEEN THE UTILITY AC DISCONNECT AND THE POINT OF CONNECTION SHALL HAVE GROUNDED BUSHINGS AT BOTH ENDS.
- SYSTEM GEC SIZED ACCORDING TO [NEC 690.47], [NEC TABLE 250.66], DC SYSTEM GEC SIZED ACCORDING TO [NEC 250.166], MINIMUM #8AWG WHEN INSULATED, #6AWG WHEN EXPOSED TO DAMAGE.
- EXPOSED NON-CURRENT CARRYING METAL PARTS OF MODULE FRAMES, EQUIPMENTS, AND CONDUCTOR ENCLOSURES SHALL BE GROUNDED IN ACCORDANCE WITH 250.134 OR 250.136(A) REGARDLESS OF VOLTAGE.

WIRING & CONDUIT NOTES

- ALL CONDUIT SIZES AND TYPES, SHALL BE LISTED FOR ITS PURPOSE AND APPROVED FOR THE SITE APPLICATIONS
- BOLTED CONNECTION REQUIRED IN DC DISCONNECTS ON THE WHITE GROUNDED CONDUCTOR (USE POLARIS BLOCK OR NEUTRAL BAR)
- ANY CONNECTION ABOVE LIVE PARTS MUST BE WATERTIGHT. REDUCING WASHERS DISALLOWED ABOVE LIVE PARTS, MEYERS HUBS RECOMMENDED
- UV RESISTANT CABLE TIES (NOT ZIP TIES) USED FOR PERMANENT WIRE MANAGEMENT OFF THE ROOF SURFACE IN ACCORDANCE WITH NEC 110.2, 110.3(A-B), 300.4
- SOLADECK JUNCTION BOXES MOUNTED FLUSH W/ROOF SURFACE TO BE USED FOR WIRE MANAGEMENT AND AS FLASHED ROOF PENETRATIONS FOR INTERIOR CONDUIT RUNS.
- ALL PV CABLES AND HOMERUN WIRES BE TYPE USE-2, AND SINGLE-CONDUCTOR CABLE LISTED AND IDENTIFIED AS PV WIRE, TYPE TC-ER, OR EQUIVALENT; ROUTED TO SOURCE CIRCUIT COMBINER BOXES AS REQUIRED
- ALL CONDUCTORS AND OCPD SIZES AND TYPES SPECIFIED ACCORDING TO [NEC

690.8] FOR MULTIPLE CONDUCTORS

- ALL PV DC CONDUCTORS IN CONDUIT EXPOSED TO SUNLIGHT SHALL BE INSTALLED AT LEAST 7/8" ABOVE THE ROOF SURFACE AND DERATED ACCORDING TO [NEC TABLE 310.15 (B)(2)(a), NEC TABLE 310.15(B)(3)(a), & NEC 310.15(B)(3)(c)].
- EXPOSED ROOF PV DC CONDUCTORS SHALL BE USE-2, 90°C RATED, WET AND UV RESISTANT, AND UL LISTED RATED FOR 600V, UV RATED SPIRAL WRAP SHALL BE USED TO PROTECT WIRE FROM SHARP EDGES
- PHASE AND NEUTRAL CONDUCTORS SHALL BE DUAL RATED THHN/THWN-2 INSULATED, 90°C RATED, WET AND UV RESISTANT, RATED FOR 600V
- 4-WIRE DELTA CONNECTED SYSTEMS HAVE THE PHASE WITH THE HIGHER VOLTAGE TO GROUND MARKED ORANGE OR IDENTIFIED BY OTHER EFFECTIVE MEANS.
- ALL SOURCE CIRCUITS SHALL HAVE INDIVIDUAL SOURCE CIRCUIT PROTECTION
- VOLTAGE DROP LIMITED TO 2% FOR DC CIRCUITS AND 3% FOR AC CIRCUITS
- NEGATIVE GROUNDED SYSTEMS DC CONDUCTORS SHALL BE COLOR CODED AS FOLLOWS: DC POSITIVE- RED (OR MARKED RED), DC NEGATIVE- GREY (OR MARKED GREY)
- POSITIVE GROUNDED SYSTEMS DC CONDUCTORS COLOR CODED: DC POSITIVE- GREY (OR MARKED GREY), DC NEGATIVE- BLACK (OR MARKED BLACK)
- AC CONDUCTORS >4AWG COLOR CODED OR MARKED: PHASE A OR L1- BLACK, PHASE B OR L2- RED, PHASE C OR L3- BLUE, NEUTRAL- WHITE/GRAY
- USE-2 IS NOT INDOOR RATED BUT PV CABLE IS RATED THWN/THWN-2 AND MAY BE USED INSIDE
- USE-2 IS AVAILABLE AS UV WHITE
- RIGID CONDUIT, IF INSTALLED, (AND/OR NIPPLES) MUST HAVE A PULL BUSHING TO PROTECT WIRES.
- IF CONDUIT DETERMINED TO BE RAN THROUGH ATTIC IN FIELD THEN CONDUIT WILL BE EITHER EMT, FMC, OR MC CABLE IF DC CURRENT COMPLYING WITH NEC 690.31, NEC 250.118(10). DISCONNECTING MEANS SHALL COMPLY WITH 690.13 AND 690.15
- CONDUIT RAN THROUGH ATTIC WILL BE AT LEAST 18" BELOW ROOF SURFACE COMPLYING WITH NEC 230.6(4) AND SECURED NO GREATER THAN 6' APART PER NEC 330.30(B).

SITE INFORMATION:

David Myers
89 Farrah-Shea Way
Angier, North Carolina 27501
DC SYSTEM SIZE: 12.48 kW DC

DRAWING BY
Dylan Wakefield

DATE
April 20, 2020

PROJECT NUMBER
75467008

SHEET NAME
ELEC. CALCS.

PAGE NUMBER
PV6

REVISION
0

RESIDENTIAL ELECTRICAL LOAD CALCULATIONS

NEC 220.82

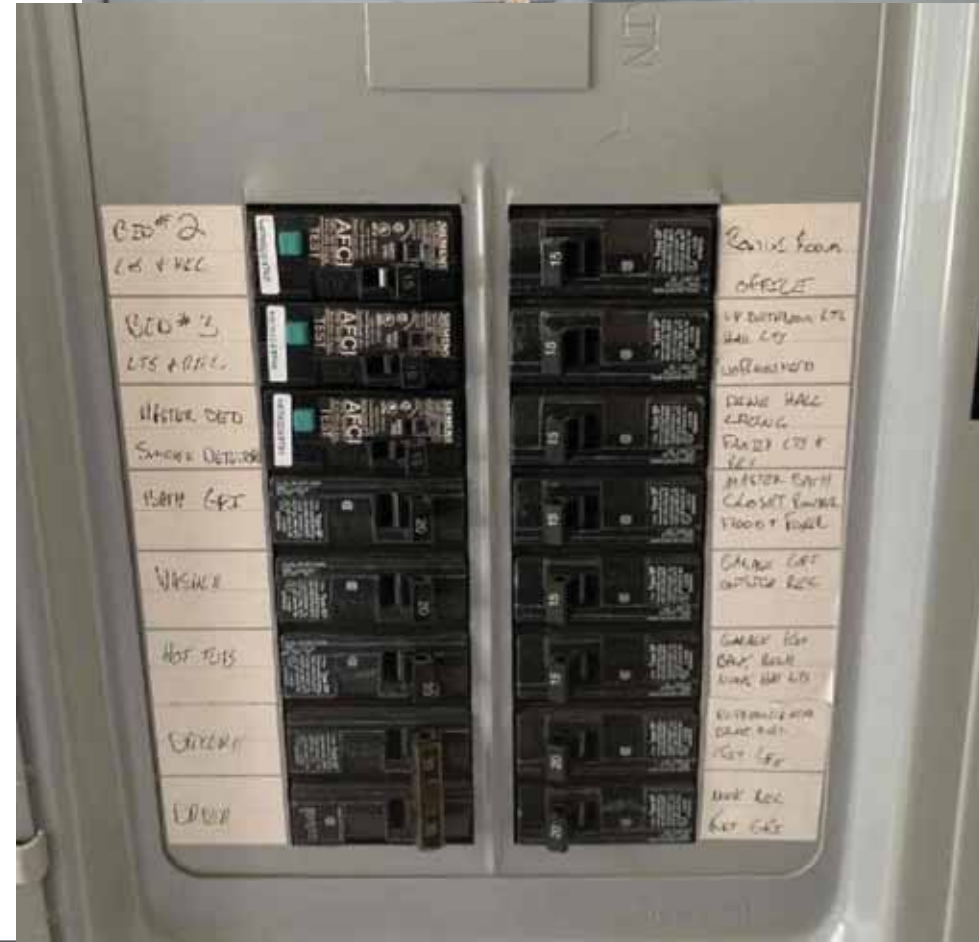
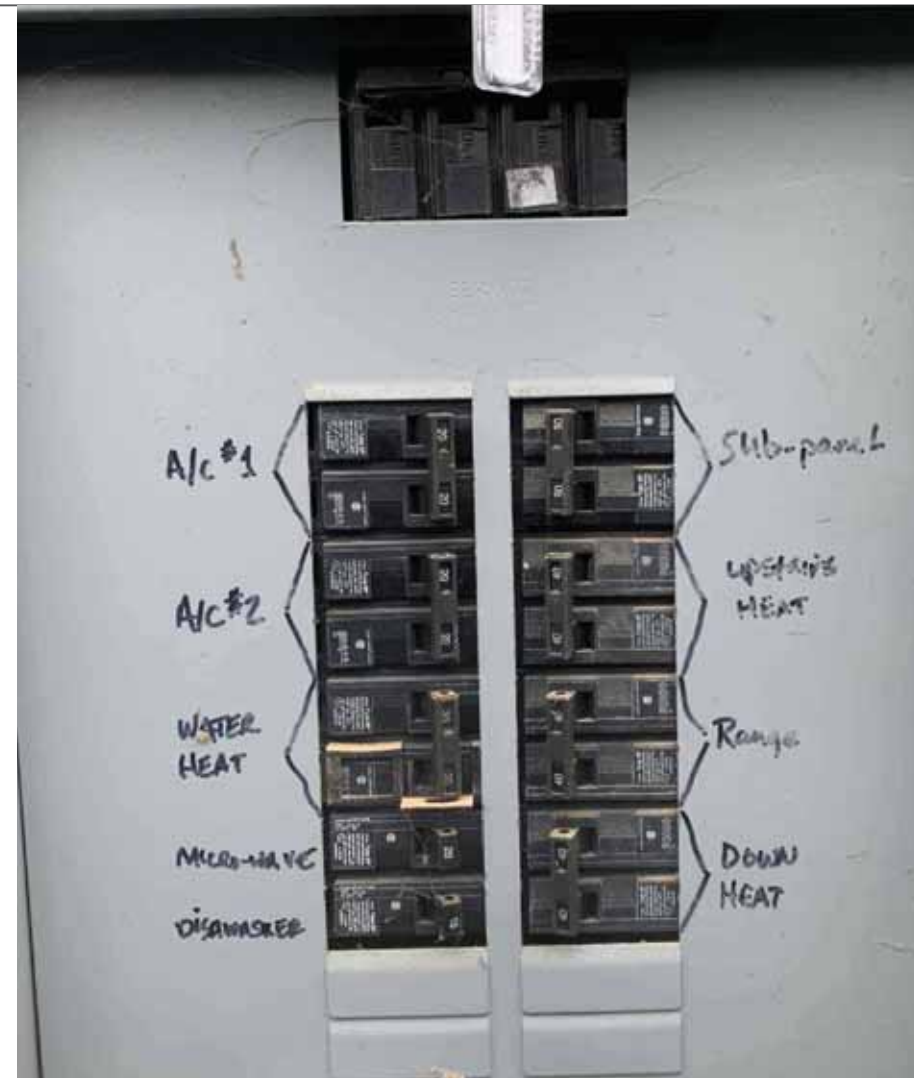
GENERAL LIGHTING, RECEPTACLE, AND SMALL APPLIANCE LOADS			
NEC 220.82(B)(1)&(2)			
SQ. FT.	2393	x 3 VA =	7179 VA
SMALL APPLIANCE	2	x 1500 VA =	3000 VA
LAUNDRY	1	x 1500 VA =	1500 VA
			11679 VA

COOKING EQUIPMENT AND APPLIANCE LOADS			
NEC 220.82(B)(3)&(4)			
Dishwasher	15		2700 VA
Other 240V Appliance	40		7200 VA
Water Heater	30		5400 VA
Microwave	20		3600 VA
Range	40		7680 VA
Other 120V Appliance	20		1920 VA
Dryer	30		5000 VA
Other 120V Appliance	20		1920 VA

			35420 VA
TOTAL GENERAL LOADS			47099 VA
TOTAL 100% FOR FIRST 10 kVA AND 40% REMAINDER			24839.6 VA

Heating and Air Conditioning Loads			
NEC 220.82(C)			
Air Conditioning Unit 1	20		3840 VA
Air Conditioning Unit 2	20		3840 VA
Heating Unit	40		7680 VA

MAX VALUE OF HEATING OR AIR CONDITIONING LOADS			7680 VA
Total VA			32519.6 VA
Total Amps			135 A



1403 N RESEARCH WAY, BUILDING J
OREM, UT 84097
800-377-4480
WWW.BLUERAVENSOLAR.COM

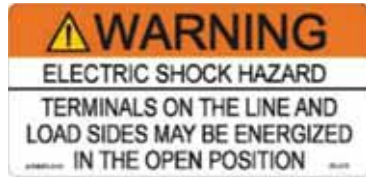
CONFIDENTIAL - THE INFORMATION
HEREIN CONTAINED SHALL NOT BE
USED FOR THE BENEFIT OF
ANYONE EXCEPT
BLUERAVENSOLAR NOR SHALL IT
BE DISCLOSED IN WHOLE OR IN
PART TO OTHERS OUTSIDE
RECIPIENTS ORGANIZATION,
EXCEPT IN CONNECTION WITH THE
SALE AND USE OF THE RESPECTIVE
EQUIPMENT, WITHOUT THE
WRITTEN PERMISSION OF
BLUERAVENSOLAR LLC.



CONTRACTOR:
BRS FIELD OPS
385.498.6700

SITE INFORMATION:
David Myers
89 Farrah-Shea Way
Angier, North Carolina 27501
DC SYSTEM SIZE: 12.48 kW DC

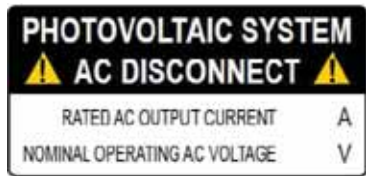
DRAWING BY
Dylan Wakefield
DATE
April 20, 2020
PROJECT NUMBER
75467008
SHEET NAME
MBD CALCS.
PAGE NUMBER
PV7
REVISION
0



LABEL 1
FOR PV DISCONNECTING MEANS WHERE ALL TERMINALS OF THE DISCONNECTING MEANS MAY BE ENERGIZED IN THE OPEN POSITION. [NEC 690.13(B), NEC 705.22]



LABEL 2
AT EACH DC DISCONNECTING MEANS, INCLUDING THE DC DISCONNECT AT THE INVERTER. [NEC 690.53, NEC 690.13(B)]



LABEL 3
AT POINT OF INTERCONNECTION, MARKED AT AC DISCONNECTING MEANS. [NEC 690.54, NEC 690.13 (B)]



LABEL 4
IF INTERCONNECTING ON THE LOAD SIDE, INSTALL THIS LABEL ANYWHERE THAT IS POWERED BY BOTH THE UTILITY AND THE SOLAR PV SYSTEM: THE MAIN SERVICE PANEL AND SUB-PANELS. [NEC 705.12(B)(3)]



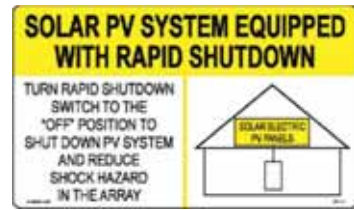
LABEL 5
PLACED ADJACENT TO THE BACK-FED BREAKER FROM THE INVERTER IF TIE IN CONSISTS OF LOAD SIDE CONNECTION TO BUSBAR. [NEC 705.12(B)(2)(3)(b)]



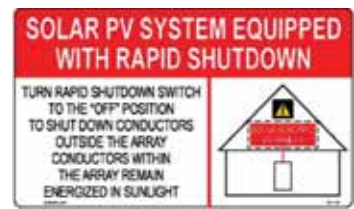
LABEL 6
(ONLY IF 3 OR MORE SUPPLY SOURCES TO A BUSBAR)
SIGN LOCATED AT LOAD CENTER IF IT CONTAINS 3 OR MORE POWER SOURCES. [NEC 705.12(B)(2)(3)(C)]



LABEL 7
AT DIRECT-CURRENT EXPOSED RACEWAYS, CABLE TRAYS, COVERS AND ENCLOSURES OF JUNCTION BOXES, AND OTHER WIRING METHODS; SPACED AT MAXIMUM 10FT SECTION OR WHERE SEPARATED BY ENCLOSURES, WALLS, PARTITIONS, CEILINGS, OR FLOORS. [NEC 690.31(G)(3&4)]



LABEL 8
FOR PV SYSTEMS THAT SHUT DOWN THE ARRAY AND CONDUCTORS LEAVING THE ARRAY: SIGN TO BE LOCATED ON OR NO MORE THAN 3 FT AWAY FROM SERVICE DISCONNECTING MEANS TO WHICH THE PV SYSTEMS ARE CONNECTED AND SHALL INDICATE THE LOCATION OF ALL IDENTIFIED RAPID SHUTDOWN SWITCHES IF NOT AT THE SAME LOCATION. [NEC 690.56(C)(1)(A)]



LABEL 9
FOR PV SYSTEMS THAT ONLY SHUT DOWN CONDUCTORS LEAVING THE ARRAY: SIGN TO BE LOCATED ON OR NO MORE THAN 3 FT AWAY FROM SERVICE DISCONNECTING MEANS TO WHICH THE PV SYSTEMS ARE CONNECTED AND SHALL INDICATE THE LOCATION OF ALL IDENTIFIED RAPID SHUTDOWN SWITCHES IF NOT AT THE SAME LOCATION. [NEC 690.56(C)(1)(B)]



LABEL 10
SIGN LOCATED AT RAPID SHUT DOWN DISCONNECT SWITCH [NEC 690.56(C)(3)].



LABEL 11
PERMANENT DIRECTORY TO BE LOCATED AT MAIN SERVICE EQUIPMENT LOCATION IF ALL ELECTRICAL POWER SOURCE DISCONNECTING MEANS (SOLAR ARRAY RAPID SHUTDOWN SWITCH) ARE GROUPED AND IN LINE OF SITE OF MAIN SERVICE DISCONNECTING MEANS. [NEC 690.56(C) & NEC 705.10].



LABEL 12
PERMANENT DIRECTORY TO BE LOCATED AT SOLAR ARRAY RAPID SHUTDOWN SWITCH DENOTING THE LOCATION OF THE SERVICE EQUIPMENT LOCATION IF SOLAR ARRAY RAPID SHUT DOWN DISCONNECT SWITCH IS NOT GROUPED AND WITHIN LINE OF SITE OF MAIN SERVICE DISCONNECTING MEANS. [NEC 705.10]



LABEL 13
PERMANENT DIRECTORY TO BE LOCATED AT MAIN SERVICE EQUIPMENT DENOTING THE LOCATION OF THE PV RAPID SHUTDOWN SYSTEM DISCONNECTING MEANS IF SOLAR ARRAY RAPID SHUT DOWN DISCONNECT SWITCH IS NOT GROUPED AND WITHIN LINE OF SITE OF MAIN SERVICE DISCONNECTING MEANS. [NEC 705.10, NEC 690.56(C)(1)]



1403 N RESEARCH WAY, BUILDING J
OREM, UT 84097

800-377-4480
WWW.BLUERAVENSOLAR.COM

CONFIDENTIAL - THE INFORMATION HEREIN CONTAINED SHALL NOT BE USED FOR THE BENEFIT OF ANYONE EXCEPT BLUERAVENSOLAR NOR SHALL IT BE DISCLOSED IN WHOLE OR IN PART TO OTHERS OUTSIDE RECIPIENTS ORGANIZATION, EXCEPT IN CONNECTION WITH THE SALE AND USE OF THE RESPECTIVE EQUIPMENT, WITHOUT THE WRITTEN PERMISSION OF BLUERAVENSOLAR LLC.



CONTRACTOR:
BRS FIELD OPS
385.498.6700

SITE INFORMATION:

David Myers
89 Farrah-Shea Way
Angier, North Carolina 27501
DC SYSTEM SIZE: 12.48 kW DC

DRAWING BY
Dylan Wakefield

DATE
April 20, 2020

PROJECT NUMBER
75467008

SHEET NAME
LABELS

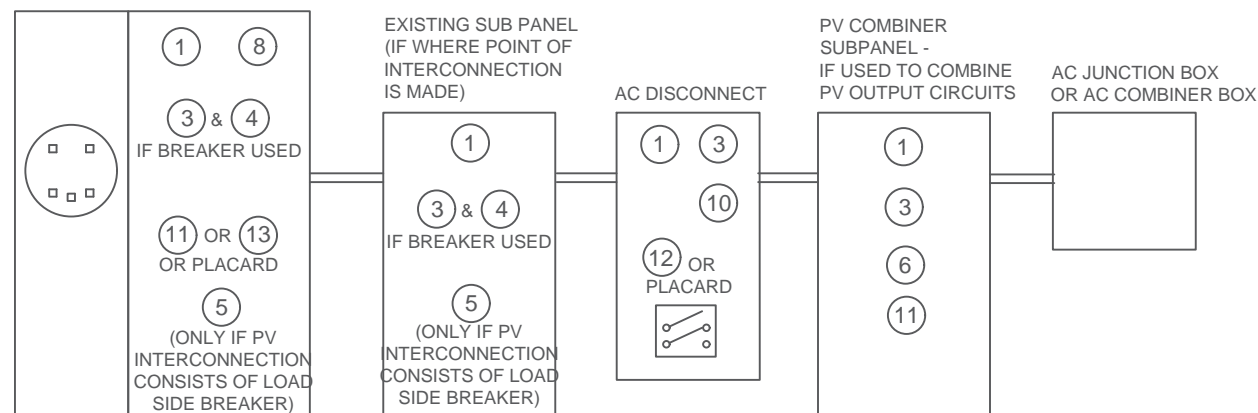
PAGE NUMBER
PV8

REVISION
0

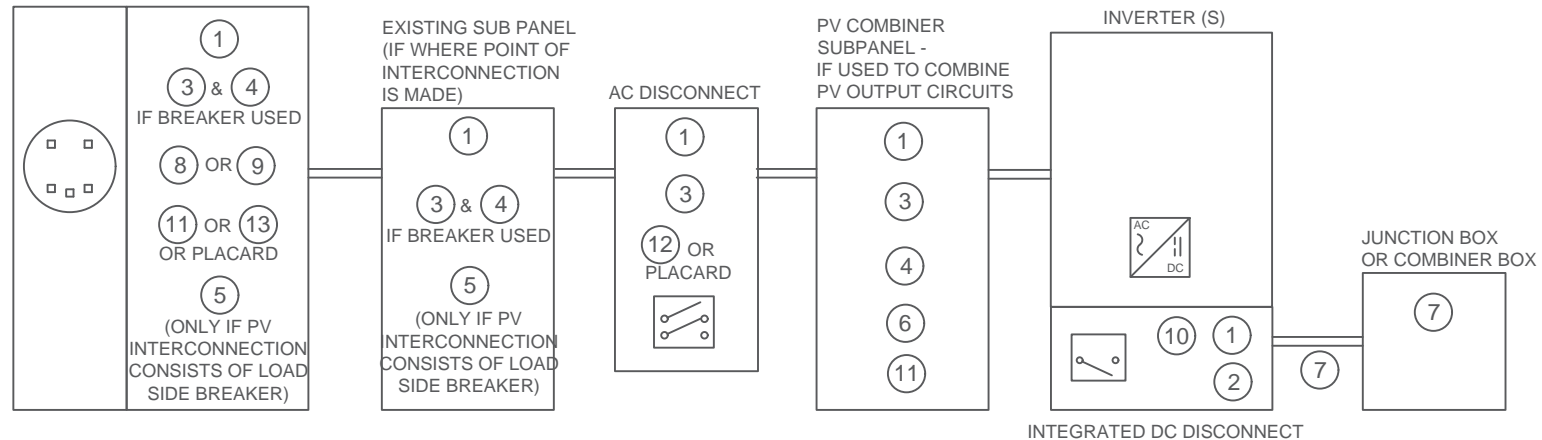
LABELING NOTES:

1. LABELS CALLED OUT ACCORDING TO ALL COMMON CONFIGURATIONS. ELECTRICIAN TO DETERMINE EXACT REQUIREMENTS IN THE FIELD PER CURRENT NEC AND LOCAL CODES AND MAKE APPROPRIATE ADJUSTMENTS.
2. LABELING REQUIREMENTS BASED ON THE 2017 NATIONAL ELECTRIC CODE, OSHA STANDARD 19010.145, ANSI Z535.
3. MATERIAL BASED ON THE REQUIREMENTS OF THE AUTHORITY HAVING JURISDICTION.
4. LABELS TO BE OF SUFFICIENT DURABILITY TO WITHSTAND THE ENVIRONMENT INVOLVED AND SHALL NOT BE HANDWRITTEN [NEC 110.21]
5. LABELS TO BE A MINIMUM LETTER HEIGHT OF 3/8", WHITE ON RED BACKGROUND; REFLECTIVE, AND PERMANENTLY AFFIXED [IFC 605.11.1.1]

LABELING DIAGRAM FOR MICRO INV.:
MAIN SERVICE PANEL



LABELING DIAGRAM FOR STRING INV. / DC OPTIMIZER INV.:
MAIN SERVICE PANEL



*ELECTRICAL DIAGRAM SHOWN ABOVE IS FOR LABELING PURPOSES ONLY. NOT AN ACTUAL REPRESENTATION OF EQUIPMENT AND CONNECTIONS TO BE INSTALLED. LABEL LOCATIONS PRESENTED MAY VARY DEPENDING ON TYPE OF INTERCONNECTION METHOD AND LOCATION PRESENTED ON PV5 OF 3 LINE DIAGRAM. PV5 LINE DIAGRAM TO REFLECT ACTUAL REPRESENTATION OF PROPOSED SCOPE OF WORK.

Enphase IQ 7 and IQ 7+ Microinverters

The high-powered smart grid-ready **Enphase IQ 7 Micro™** and **Enphase IQ 7+ Micro™** dramatically simplify the installation process while achieving the highest system efficiency.

Part of the Enphase IQ System, the IQ 7 and IQ 7+ Microinverters integrate with the Enphase IQ Envoy™, Enphase IQ Battery™, and the Enphase Enlighten™ monitoring and analysis software.

IQ Series Microinverters extend the reliability standards set forth by previous generations and undergo over a million hours of power-on testing, enabling Enphase to provide an industry-leading warranty of up to 25 years.



Easy to Install

- Lightweight and simple
- Faster installation with improved, lighter two-wire cabling
- Built-in rapid shutdown compliant (NEC 2014 & 2017)

Productive and Reliable

- Optimized for high powered 60-cell and 72-cell* modules
- More than a million hours of testing
- Class II double-insulated enclosure
- UL listed

Smart Grid Ready

- Complies with advanced grid support, voltage and frequency ride-through requirements
- Remotely updates to respond to changing grid requirements
- Configurable for varying grid profiles
- Meets CA Rule 21 (UL 1741-SA)

* The IQ 7+ Micro is required to support 72-cell modules.



To learn more about Enphase offerings, visit enphase.com

Enphase IQ 7 and IQ 7+ Microinverters

INPUT DATA (DC)	IQ7-60-2-US / IQ7-60-B-US		IQ7PLUS-72-2-US / IQ7PLUS-72-B-US	
Commonly used module pairings ¹	235 W - 350 W +		235 W - 440 W +	
Module compatibility	60-cell PV modules only		60-cell and 72-cell PV modules	
Maximum input DC voltage	48 V		60 V	
Peak power tracking voltage	27 V - 37 V		27 V - 45 V	
Operating range	16 V - 48 V		16 V - 60 V	
Min/Max start voltage	22 V / 48 V		22 V / 60 V	
Max DC short circuit current (module Isc)	15 A		15 A	
Overvoltage class DC port	II		II	
DC port backfeed current	0 A		0 A	
PV array configuration	1 x 1 ungrounded array; No additional DC side protection required; AC side protection requires max 20A per branch circuit			
OUTPUT DATA (AC)	IQ 7 Microinverter		IQ 7+ Microinverter	
Peak output power	250 VA		295 VA	
Maximum continuous output power	240 VA		290 VA	
Nominal (L-L) voltage/range ²	240 V / 211-264 V	208 V / 183-229 V	240 V / 211-264 V	208 V / 183-229 V
Maximum continuous output current	1.0 A (240 V)	1.15 A (208 V)	1.21 A (240 V)	1.39 A (208 V)
Nominal frequency	60 Hz		60 Hz	
Extended frequency range	47 - 68 Hz		47 - 68 Hz	
AC short circuit fault current over 3 cycles	5.8 Arms		5.8 Arms	
Maximum units per 20 A (L-L) branch circuit ³	16 (240 VAC)	13 (208 VAC)	13 (240 VAC)	11 (208 VAC)
Overvoltage class AC port	III		III	
AC port backfeed current	0 A		0 A	
Power factor setting	1.0		1.0	
Power factor (adjustable)	0.7 leading ... 0.7 lagging		0.7 leading ... 0.7 lagging	
EFFICIENCY	@240 V		@208 V	
Peak CEC efficiency	97.6 %		97.3 %	
CEC weighted efficiency	97.0 %		97.0 %	
MECHANICAL DATA				
Ambient temperature range	-40°C to +65°C			
Relative humidity range	4% to 100% (condensing)			
Connector type (IQ7-60-2-US & IQ7PLUS-72-2-US)	MC4 (or Amphenol H4 UTX with additional Q-DCC-5 adapter)			
Connector type (IQ7-60-B-US & IQ7PLUS-72-B-US)	Friends PV2 (MC4 intermateable). Adaptors for modules with MC4 or UTX connectors: - PV2 to MC4: order ECA-S20-S22 - PV2 to UTX: order ECA-S20-S25			
Dimensions (WxHxD)	212 mm x 175 mm x 30.2 mm (without bracket)			
Weight	1.08 kg (2.38 lbs)			
Cooling	Natural convection - No fans			
Approved for wet locations	Yes			
Pollution degree	PD3			
Enclosure	Class II double-insulated, corrosion resistant polymeric enclosure			
Environmental category / UV exposure rating	NEMA Type 6 / outdoor			
FEATURES				
Communication	Power Line Communication (PLC)			
Monitoring	Enlighten Manager and MyEnlighten monitoring options. Both options require installation of an Enphase IQ Envoy.			
Disconnecting means	The AC and DC connectors have been evaluated and approved by UL for use as the load-break disconnect required by NEC 690.			
Compliance	CA Rule 21 (UL 1741-SA) UL 62109-1, UL1741/IEEE1547, FCC Part 15 Class B, ICES-0003 Class B, CAN/CSA-C22.2 NO. 107.1-01 This product is UL Listed as PV Rapid Shut Down Equipment and conforms with NEC-2014 and NEC-2017 section 690.12 and C22.1-2015 Rule 64-218 Rapid Shutdown of PV Systems, for AC and DC conductors, when installed according manufacturer's instructions.			

1. No enforced DC/AC ratio. See the compatibility calculator at <https://enphase.com/en-us/support/module-compatibility>.
 2. Nominal voltage range can be extended beyond nominal if required by the utility.
 3. Limits may vary. Refer to local requirements to define the number of microinverters per branch in your area.

To learn more about Enphase offerings, visit enphase.com

© 2018 Enphase Energy. All rights reserved. All trademarks or brands used are the property of Enphase Energy, Inc. 2018-05-24



1403 N RESEARCH WAY, BUILDING J
 OREM, UT 84097

800-377-4480
WWW.BLUERAVENSOLAR.COM

CONFIDENTIAL - THE INFORMATION HEREIN CONTAINED SHALL NOT BE USED FOR THE BENEFIT OF ANYONE EXCEPT BLUE RAVEN SOLAR NOR SHALL IT BE DISCLOSED IN WHOLE OR IN PART TO OTHERS OUTSIDE RECIPIENTS ORGANIZATION, EXCEPT IN CONNECTION WITH THE SALE AND USE OF THE RESPECTIVE EQUIPMENT, WITHOUT THE WRITTEN PERMISSION OF BLUE RAVEN SOLAR LLC.



CONTRACTOR:
 BRS FIELD OPS
 385.498.6700

SHEET NAME
SPEC SHEET

PAGE NUMBER
SS

REVISION
0

Enphase IQ Combiner 3 (X-IQ-AM1-240-3)

The **Enphase IQ Combiner 3™** with Enphase IQ Envoy™ consolidates interconnection equipment into a single enclosure and streamlines PV and storage installations by providing a consistent, pre-wired solution for residential applications. It offers up to four 2-pole input circuits and Eaton BR series busbar assembly.



Smart

- Includes IQ Envoy for communication and control
- Flexible networking supports Wi-Fi, Ethernet, or cellular
- Optional AC receptacle available for PLC bridge
- Provides production metering and optional consumption monitoring

Simple

- Reduced size from previous combiner
- Centered mounting brackets support single stud mounting
- Supports back and side conduit entry
- Up to four 2-pole branch circuits for 240 VAC plug-in breakers (not included)
- 80 A total PV or storage branch circuits

Reliable

- Durable NRTL-certified NEMA type 3R enclosure
- Five-year warranty
- UL listed



To learn more about Enphase offerings, visit enphase.com



Enphase IQ Combiner 3

MODEL NUMBER	
IQ Combiner 3 X-IQ-AM1-240-3	IQ Combiner 3 with Enphase IQ Envoy™ printed circuit board for integrated revenue grade PV production metering (ANSI C12.20 +/- 0.5%) and optional* consumption monitoring (+/- 2.5%).
ACCESSORIES and REPLACEMENT PARTS (not included, order separately)	
Enphase Mobile Connect™ CELLMODEM-03 (4G / 12-year data plan) CELLMODEM-01 (3G / 5-year data plan) CELLMODEM-M1 (4G based LTE-M / 5-year data plan)	Plug and play industrial grade cellular modem with data plan for systems up to 60 microinverters. (Available in the US, Canada, Mexico, Puerto Rico, and the US Virgin Islands, where there is adequate cellular service in the installation area.)
Consumption Monitoring* CT CT-200-SPLIT	Split core current transformers enable whole home consumption metering (+/- 2.5%).
Circuit Breakers BRK-10A-2-240 BRK-15A-2-240 BRK-20A-2P-240	Supports Eaton BR210, BR215, BR220, BR230, BR240, BR250, and BR260 circuit breakers. Circuit breaker, 2 pole, 10A, Eaton BR210 Circuit breaker, 2 pole, 15A, Eaton BR215 Circuit breaker, 2 pole, 20A, Eaton BR220
EPLC-01	Power line carrier (communication bridge pair), quantity 2
XA-PLUG-120-3	Accessory receptacle for Power Line Carrier in IQ Combiner 3 (required for EPLC-01)
XA-ENV-PCBA-3	Replacement IQ Envoy printed circuit board (PCB) for Combiner 3
ELECTRICAL SPECIFICATIONS	
Rating	Continuous duty
System voltage	120/240 VAC, 60 Hz
Eaton BR series busbar rating	125 A
Max. continuous current rating (output to grid)	65 A
Max. fuse/circuit rating (output)	90 A
Branch circuits (solar and/or storage)	Up to four 2-pole Eaton BR series Distributed Generation (DG) breakers only (not included)
Max. continuous current rating (input from PV)	64 A
Max. total branch circuit breaker rating (input)	80A of distributed generation / 90A with IQ Envoy breaker included
Production Metering CT	200 A solid core pre-installed and wired to IQ Envoy
MECHANICAL DATA	
Dimensions (WxHxD)	49.5 x 37.5 x 16.8 cm (19.5" x 14.75" x 6.63"). Height is 21.06" (53.5 cm with mounting brackets).
Weight	7.5 kg (16.5 lbs)
Ambient temperature range	-40° C to +46° C (-40° to 115° F)
Cooling	Natural convection, plus heat shield
Enclosure environmental rating	Outdoor, NRTL-certified, NEMA type 3R, polycarbonate construction
Wire sizes	<ul style="list-style-type: none"> • 20 A to 50 A breaker inputs: 14 to 4 AWG copper conductors • 60 A breaker branch input: 4 to 1/0 AWG copper conductors • Main lug combined output: 10 to 2/0 AWG copper conductors • Neutral and ground: 14 to 1/0 copper conductors Always follow local code requirements for conductor sizing.
Altitude	To 2000 meters (6,560 feet)
INTERNET CONNECTION OPTIONS	
Integrated Wi-Fi	802.11b/g/n
Ethernet	Optional, 802.3, Cat5E (or Cat 6) UTP Ethernet cable (not included)
Cellular	Optional, CELLMODEM-01 (3G) or CELLMODEM-03 (4G) or CELLMODEM-M1 (4G based LTE-M) (not included)
COMPLIANCE	
Compliance, Combiner	UL 1741 CAN/CSA C22.2 No. 1071 47 CFR, Part 15, Class B, ICES 003 Production metering: ANSI C12.20 accuracy class 0.5 (PV production)
Compliance, IQ Envoy	UL 60601-1/CANCSA 22.2 No. 61010-1

* Consumption monitoring is required for Enphase Storage Systems.

To learn more about Enphase offerings, visit enphase.com

© 2018 Enphase Energy. All rights reserved. All trademarks or brands in this document are registered by their respective owner.
2018-09-13



1403 N RESEARCH WAY, BUILDING J
OREM, UT 84097

800-377-4480
WWW.BLUERAVENSOLAR.COM

CONFIDENTIAL - THE INFORMATION HEREIN CONTAINED SHALL NOT BE USED FOR THE BENEFIT OF ANYONE EXCEPT BLUE RAVEN SOLAR NOR SHALL IT BE DISCLOSED IN WHOLE OR IN PART TO OTHERS OUTSIDE RECIPIENTS ORGANIZATION, EXCEPT IN CONNECTION WITH THE SALE AND USE OF THE RESPECTIVE EQUIPMENT, WITHOUT THE WRITTEN PERMISSION OF BLUE RAVEN SOLAR LLC.



CONTRACTOR:
BRS FIELD OPS
385.498.6700

SHEET NAME
SPEC SHEET

PAGE NUMBER SS	REVISION 0
--------------------------	----------------------

THE Residential Module

MULTI-BUSBAR 120 HALF-CELL BOB MODULE

120-Cell
MONOCRYSTALLINE MODULE

310-335W
POWER OUTPUT RANGE

19.7%
MAXIMUM EFFICIENCY

0~+5W
POSITIVE POWER TOLERANCE

Founded in 1997, Trina Solar is the world's leading total solution provider for solar energy. With local presence around the globe, Trina Solar is able to provide exceptional service to each customer in each market and deliver our innovative, reliable products with the backing of Trina as a strong, bankable brand. Trina Solar now distributes its PV products to over 100 countries all over the world. We are committed to building strategic, mutually beneficial collaborations with installers, developers, distributors and other partners in driving smart energy together.

Comprehensive Products and System Certificates

IEC61215/IEC61730/IEC61701/IEC62716
ISO 9001: Quality Management System
ISO 14001: Environmental Management System
ISO14064: Greenhouse Gases Emissions Verification
OHSAS 18001: Occupation Health and Safety Management System



TrinaSolar

PRODUCTS	BACKSHEET COLOR	POWER RANGE
TSM-DD06M.05(II)	Black	310-335W

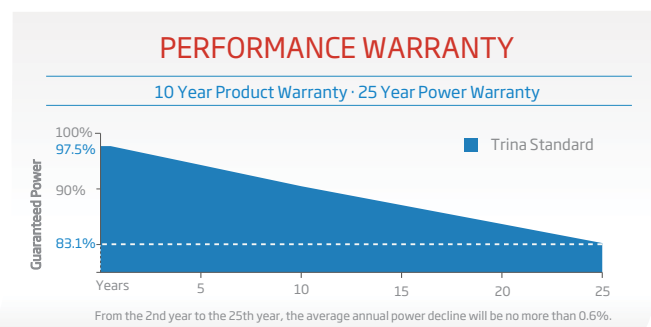
FRAME COLOR: Black

- High power output**
- Reduce BOS cost with high power bin and module efficiency
 - New cell string layout and split J-box location reduces the energy loss caused by inter-row shading
 - Lower resistance of half-cut cells and increased MBB (Multi Busbar) reflectance ensure higher power

- High energy generation, low LCOE**
- Excellent 3rd party validated IAM and low light performance with cell process and module material optimization
 - Low Pmax temp coefficient (-0.36%) increases energy production
 - Better anti-shading performance and lower operating temperature

- Outstanding visual appearance, easy to install**
- Designed for superior rooftop aesthetics
 - Thinner wires give a eye catching all black look
 - Safe and easy to transport, handle, and install

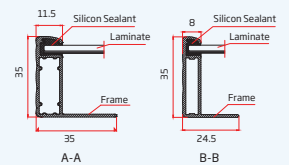
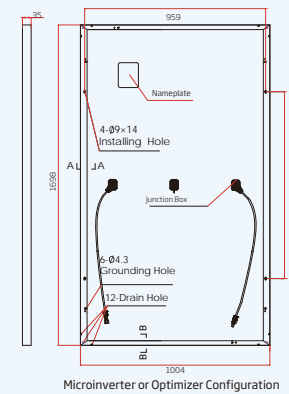
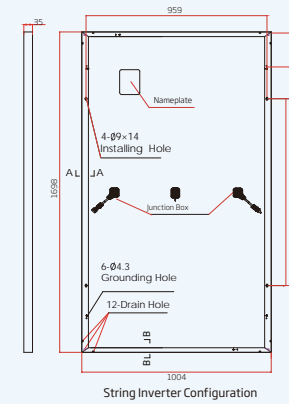
- Certified to perform in highly challenging environment**
- High PID resistance through cell process and module material control
 - Resistant to salt, acid, sand, and ammonia
 - Over 30 in-house tests (UV, TC, HF etc)
 - Certified to 5400 Pa positive load and 2400 Pa negative load



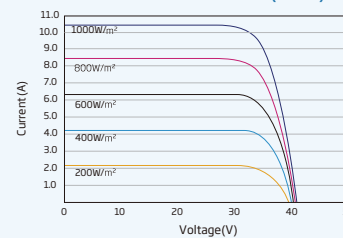
Residential Module

MULTI-BUSBAR 120 HALF-CELL BOB MODULE

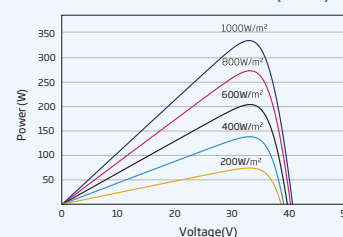
DIMENSIONS OF PV MODULE(mm)



I-V CURVES OF PV MODULE (335W)



P-V CURVES OF PV MODULE (335W)



ELECTRICAL DATA (STC)

Parameter	310	315	320	325	330	335
Peak Power Watts-P _{MAX} (Wp)*	310	315	320	325	330	335
Power Output Tolerance-P _{MAX} (W)	0~+5					
Maximum Power Voltage-V _{MPP} (V)	33.0	33.2	33.4	33.6	33.8	34.0
Maximum Power Current-I _{MPP} (A)	9.40	9.49	9.58	9.67	9.76	9.85
Open Circuit Voltage-V _{OC} (V)	39.9	40.1	40.3	40.4	40.6	40.7
Short Circuit Current-I _{SC} (A)	10.03	10.12	10.20	10.30	10.40	10.50
Module Efficiency η(%)	18.2	18.5	18.8	19.1	19.4	19.7

STC: Irradiance 1000W/m², Cell Temperature 25°C, Air Mass AM1.5.
*Measuring tolerance: ±3%.

ELECTRICAL DATA (NMOT)

Parameter	235	238	242	246	250	254
Maximum Power-P _{MAX} (Wp)	235	238	242	246	250	254
Maximum Power Voltage-V _{MPP} (V)	31.0	31.2	31.4	31.6	31.7	31.9
Maximum Power Current-I _{MPP} (A)	7.57	7.64	7.71	7.79	7.86	7.94
Open Circuit Voltage-V _{OC} (V)	37.6	37.8	38.0	38.1	38.3	38.4
Short Circuit Current-I _{SC} (A)	8.08	8.15	8.22	8.30	8.38	8.46

NMOT: Irradiance at 800W/m², Ambient Temperature 20°C, Wind Speed 1m/s.

MECHANICAL DATA

Solar Cells	Monocrystalline
Cell Orientation	120 cells (6 × 20)
Module Dimensions	1698 × 1004 × 35 mm (66.85 × 39.53 × 1.38 inches)
Weight	18.7kg (41.2lb)
Glass	3.2mm (0.13 inches), High Transmission, AR Coated Tempered Glass
Encapsulant Material	EVA
Backsheet	Black
Frame	35 mm (1.38 inches) Anodized Aluminium Alloy
J-Box	IP 68 rated
Cables	Photovoltaic Technology Cable 4.0mm ² (0.006 inches ²) Portrait: N 140mm/P 285mm (5.51/11.22 inches) Landscape: N 1200 mm /P 1200 mm (47.24/47.24 inches)
Connector	MC4

TEMPERATURE RATINGS

NMOT(Nominal Module Operating Temperature)	41°C (±3°C)
Temperature Coefficient of P _{MAX}	-0.36%/°C
Temperature Coefficient of V _{OC}	-0.26%/°C
Temperature Coefficient of I _{SC}	0.04%/°C

MAXIMUM RATINGS

Operational Temperature	-40~+85°C
Maximum System Voltage	1000V DC (IEC)
	1000V DC (UL)
Max Series Fuse Rating	20A

(Do not connect Fuse in Combiner Box with two or more strings in parallel connection)

WARRANTY

- 10 year Product Workmanship Warranty
- 25 year Power Warranty

(Please refer to product warranty for details)

PACKAGING CONFIGURATION

- Modules per box: 30 pieces
- Modules per 40'container: 780 pieces



1403 N RESEARCH WAY, BUILDING J
OREM, UT 84097

800-377-4480
WWW.BLUERAVENSOLAR.COM

CONFIDENTIAL - THE INFORMATION HEREIN CONTAINED SHALL NOT BE USED FOR THE BENEFIT OF ANYONE EXCEPT BLUE RAVEN SOLAR NOR SHALL IT BE DISCLOSED IN WHOLE OR IN PART TO OTHERS OUTSIDE RECIPIENTS ORGANIZATION, EXCEPT IN CONNECTION WITH THE SALE AND USE OF THE RESPECTIVE EQUIPMENT, WITHOUT THE WRITTEN PERMISSION OF BLUE RAVEN SOLAR LLC.



CONTRACTOR:
BRS FIELD OPS
385.498.6700

TrinaSolar

CAUTION: READ SAFETY AND INSTALLATION INSTRUCTIONS BEFORE USING THE PRODUCT.
© 2019 Trina Solar Limited. All rights reserved. Specifications included in this datasheet are subject to change without notice.
Version number: TSM_DD06M.05(II)_EN_2019_B www.trinasolar.com

SHEET NAME
SPEC SHEET

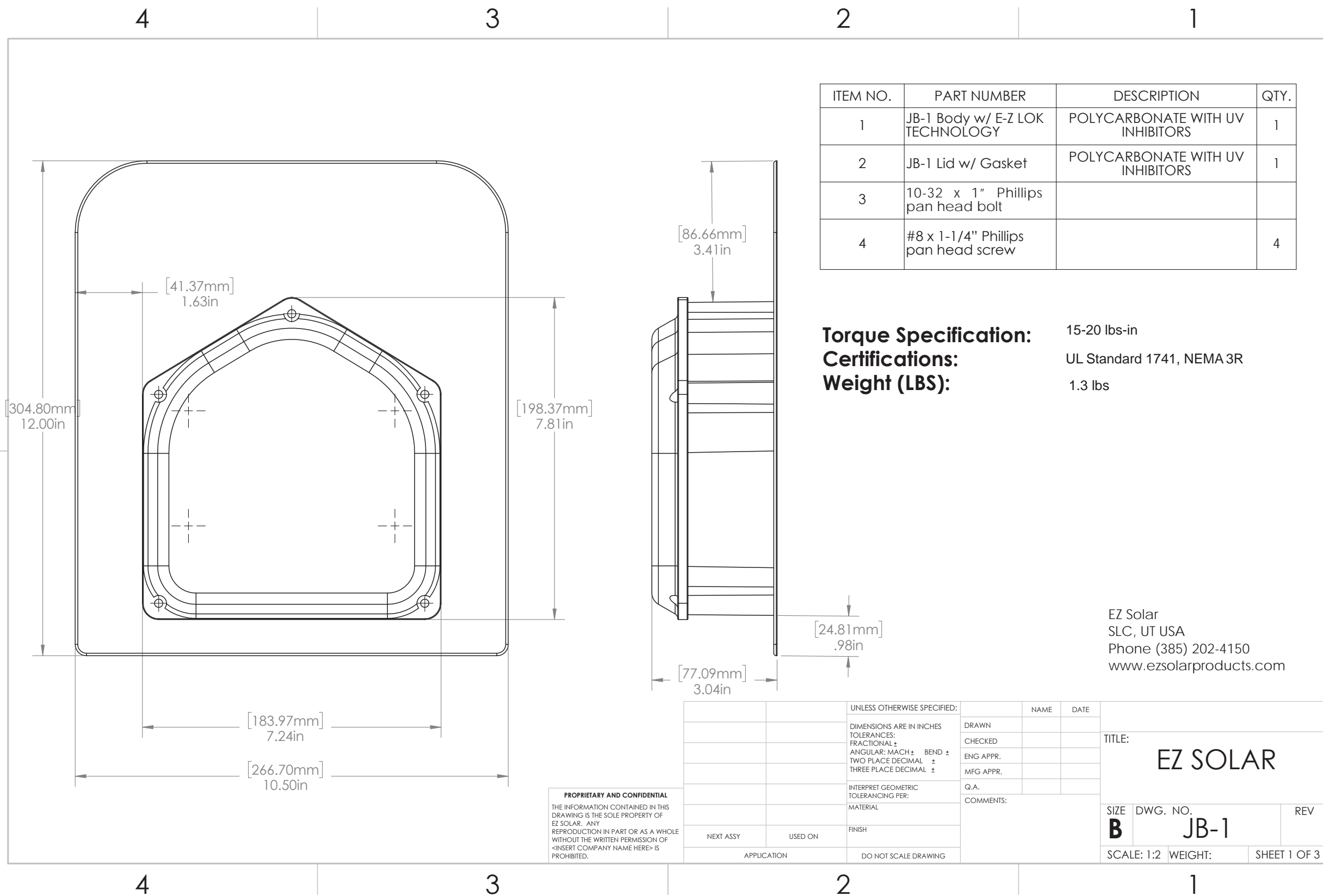
PAGE NUMBER
SS

REVISION
0

CONFIDENTIAL - THE INFORMATION
HEREIN CONTAINED SHALL NOT BE
USED FOR THE BENEFIT OF
ANYONE EXCEPT BLUE RAVEN
SOLAR NOR SHALL IT BE
DISCLOSED IN WHOLE OR IN PART
TO OTHERS OUTSIDE RECIPIENTS
ORGANIZATION, EXCEPT IN
CONNECTION WITH THE SALE AND
USE OF THE RESPECTIVE
EQUIPMENT, WITHOUT THE
WRITTEN PERMISSION OF BLUE
RAVEN SOLAR LLC.



CONTRACTOR:
BRS FIELD OPS
385.498.6700



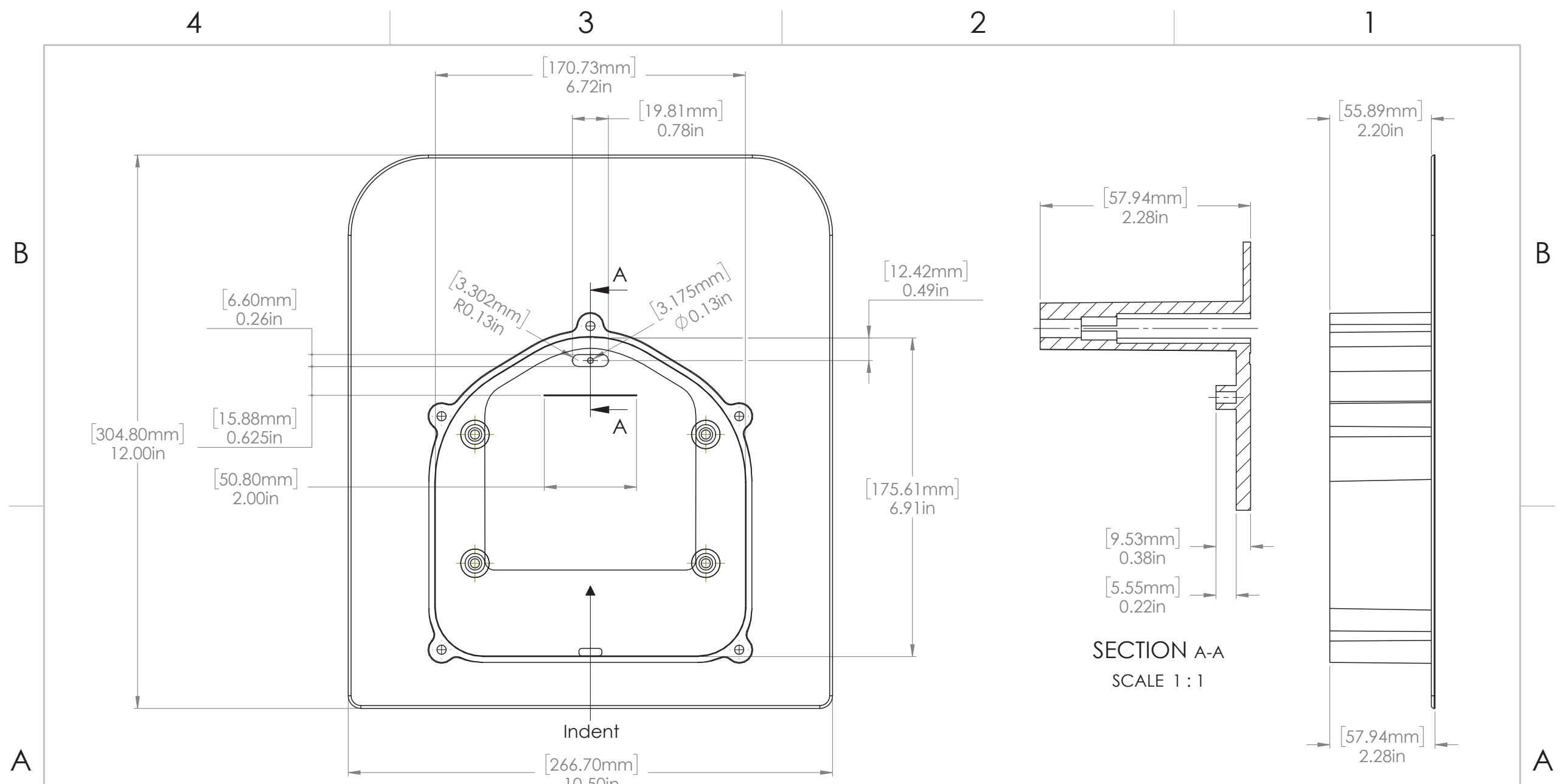
PROPRIETARY AND CONFIDENTIAL
THE INFORMATION CONTAINED IN THIS
DRAWING IS THE SOLE PROPERTY OF
EZ SOLAR. ANY
REPRODUCTION IN PART OR AS A WHOLE
WITHOUT THE WRITTEN PERMISSION OF
<INSERT COMPANY NAME HERE> IS
PROHIBITED.

UNLESS OTHERWISE SPECIFIED:		NAME	DATE
DRAWN			
CHECKED			
ENG APPR.			
MFG APPR.			
Q.A.			
COMMENTS:			

TITLE: EZ SOLAR

SIZE	DWG. NO.	REV
B	JB-1	

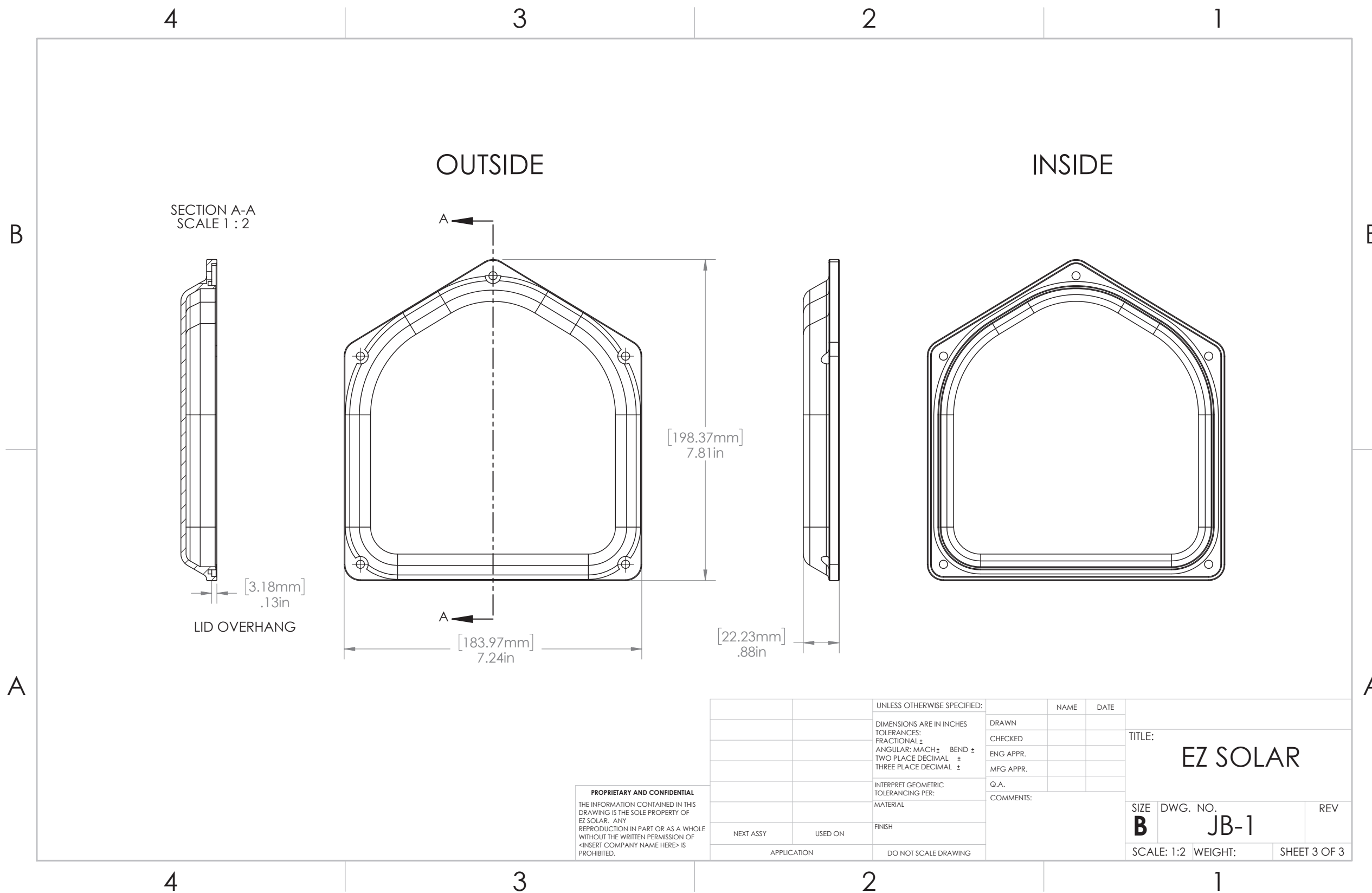
SCALE: 1:2 WEIGHT: SHEET 1 OF 3



PROPRIETARY AND CONFIDENTIAL
THE INFORMATION CONTAINED IN THIS
DRAWING IS THE SOLE PROPERTY OF
EZ SOLAR.
ANY REPRODUCTION IN PART
OR AS A WHOLE WITHOUT THE WRITTEN
PERMISSION OF EZ SOLAR IS PROHIBITED.

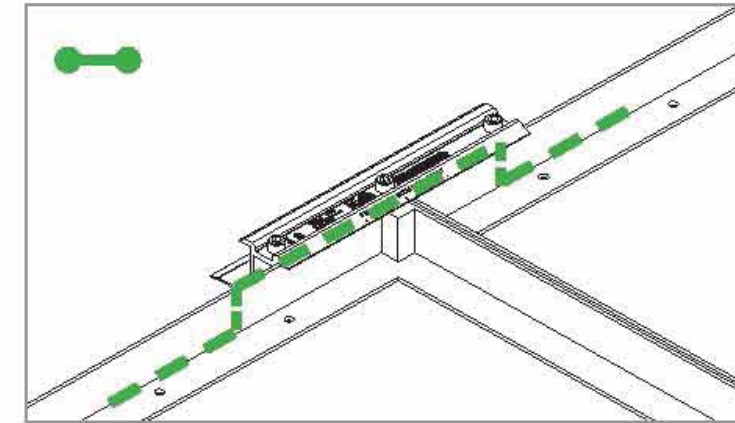
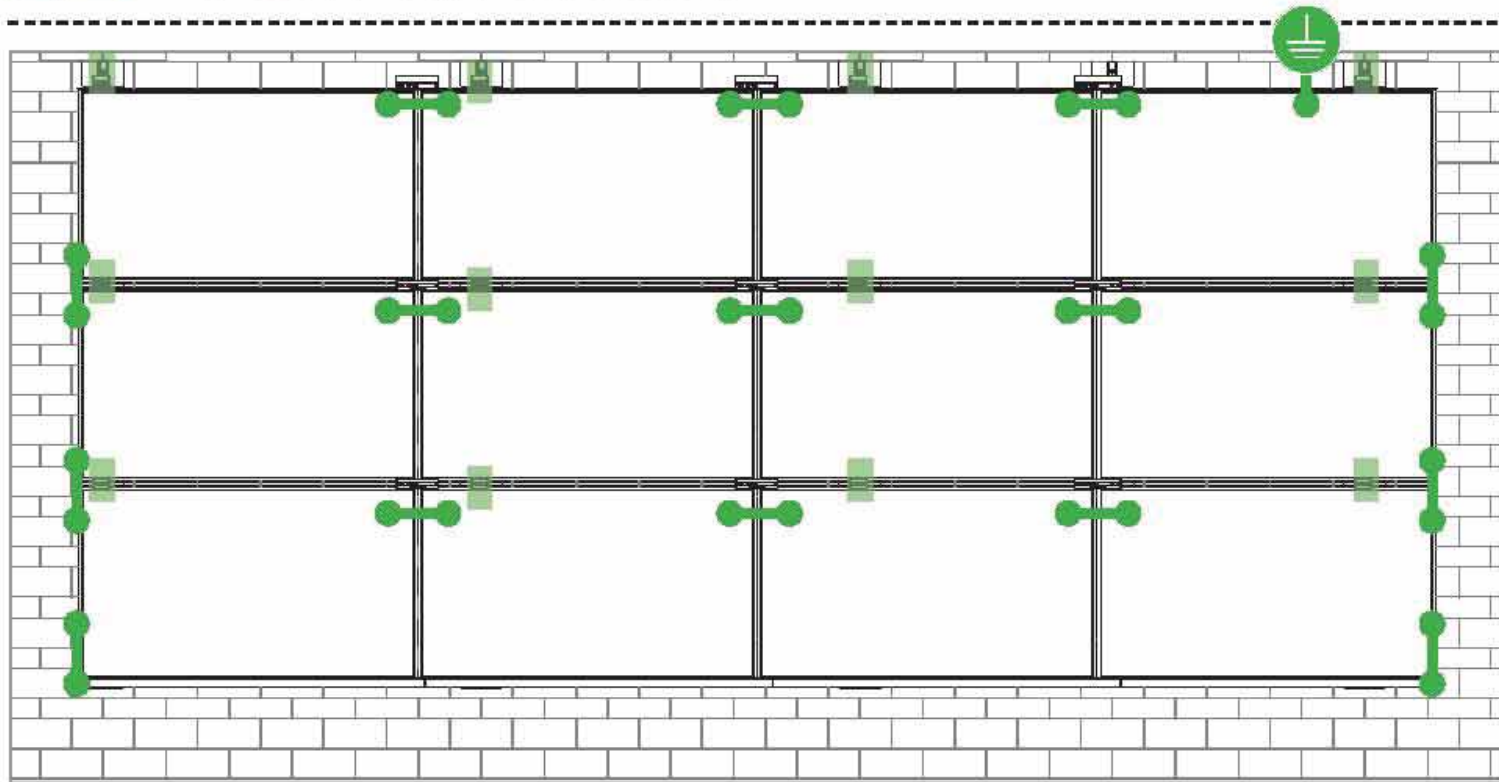
UNLESS OTHERWISE SPECIFIED:		NAME	DATE
DIMENSIONS ARE IN INCHES	DRAWN		
TOLERANCES:	CHECKED		
FRACTIONAL \pm	ENG APPR.		
ANGULAR: MACH \pm BEND \pm	MFG APPR.		
TWO PLACE DECIMAL \pm	Q.A.		
THREE PLACE DECIMAL \pm	COMMENTS:		
INTERPRET GEOMETRIC TOLERANCING PER:			
MATERIAL			
FINISH			
NEXT ASSY	USED ON		
APPLICATION	DO NOT SCALE DRAWING		

TITLE: EZ SOLAR		
SIZE B	DWG. NO. JB-1	REV
SCALE: 1:2	WEIGHT:	SHEET 2 OF 3

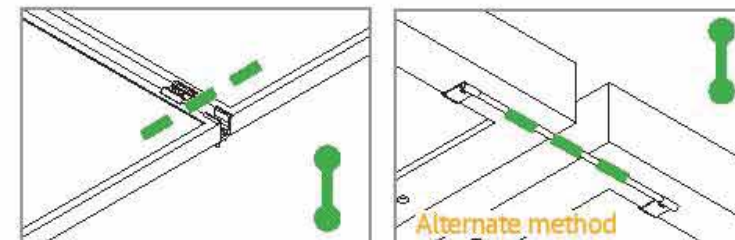


PROPRIETARY AND CONFIDENTIAL
THE INFORMATION CONTAINED IN THIS
DRAWING IS THE SOLE PROPERTY OF
EZ SOLAR. ANY
REPRODUCTION IN PART OR AS A WHOLE
WITHOUT THE WRITTEN PERMISSION OF
<INSERT COMPANY NAME HERE> IS
PROHIBITED.

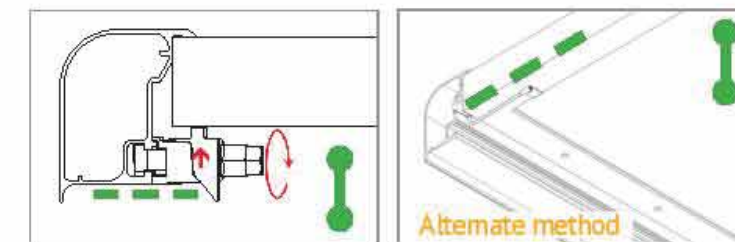
UNLESS OTHERWISE SPECIFIED:		NAME	DATE	TITLE: EZ SOLAR
DIMENSIONS ARE IN INCHES		DRAWN		
TOLERANCES:		CHECKED		
FRACTIONAL: ±		ENG APPR.		
ANGULAR: MACH ±		MFG APPR.		SIZE DWG. NO. REV
TWO PLACE DECIMAL ±		Q.A.		
THREE PLACE DECIMAL ±		COMMENTS:		SCALE: 1:2 WEIGHT: SHEET 3 OF 3
INTERPRET GEOMETRIC TOLERANCING PER:				
NEXT ASSY	USED ON	FINISH		
APPLICATION		DO NOT SCALE DRAWING		



E-W BONDING PATH:
E-W module to module bonding is accomplished with 2 pre-installed bonding pins which engage on the secure side of the Microrail™ and splice.



N-S BONDING PATH:
N-S module to module bonding is accomplished with bonding clamp with 2 integral bonding pins. (refer also to alternate method)



TRIMRAIL BONDING PATH:
Trimrail to module bonding is accomplished with bonding clamp with integral bonding pin and bonding T-bolt. (refer also to alternate method)

Star Washer is
Single Use Only



TERMINAL TORQUE,
Install Conductor and
torque to the following:
4-6 AWG: 35in-lbs
8 AWG: 25 in-lbs
10-14 AWG: 20 in-lbs

TERMINAL TORQUE,
Install Conductor and
torque to the following:
4-14 AWG: 35in-lbs

WEEBLUG
Single Use Only



TERMINAL TORQUE,
Install Conductor and
torque to the following:
6-14 AWG: 7ft-lbs

LUG DETAIL & TORQUE INFO
IlSCO Lay-In Lug (GBL-4DBT)

- 10-32 mounting hardware
- Torque = 5 ft-lb
- AWG 4-14 - Solid or Stranded

LUG DETAIL & TORQUE INFO
IlSCO Flange Lug (SGB-4)

- 1/4" mounting hardware
- Torque = 75 in-lb
- AWG 4-14 - Solid or Stranded

LUG DETAIL & TORQUE INFO
Wiley WEEBLug (6.7)

- 1/4" mounting hardware
- Torque = 10 ft-lb
- AWG 6-14 - Solid or Stranded

NOTE: ISOLATE COPPER FROM ALUMINUM CONTACT TO PREVENT CORROSION

System bonding is accomplished through modules. System grounding accomplished by attaching a ground lug to any module at a location on the module specified by the module manufacturer.

AUTHORIZATION TO MARK

This authorizes the application of the Certification Mark(s) shown below to the models described in the Product(s) Covered section when made in accordance with the conditions set forth in the Certification Agreement and Listing Report. This authorization also applies to multiple listee model(s) identified on the correlation page of the Listing Report.

This document is the property of Intertek Testing Services and is not transferable. The certification mark(s) may be applied only at the location of the Party Authorized To Apply Mark.

Applicant: Unirac, Inc	Manufacturer: Cixi Emeka Aluminum Co. Ltd
Address: 1411 Broadway Blvd NE Albuquerque, NM 87102	Address: No. 688 ChaoSheng Road Cixi City Zhejiang Province 315311
Country: USA	Country: China
Contact: Klaus Nicolaedis Tom Young	Contact: Jia Liu Robin Luo
Phone: 505-462-2190 505-843-1418	Phone: +86-15267030962 +86-13621785753
FAX: NA klaus.nicolaedis@unirac.com	FAX: NA
Email: toddg@unirac.com	Email: jia.liu@cxymj.com buwan.luo@cxymj.com

Party Authorized To Apply Mark: Same as Manufacturer
Report Issuing Office: Lake Forest, CA U.S.A.

Control Number: 5003705 **Authorized by:** *Natalie Johnson*
for Dean Davidson, Certification Manager



This document supersedes all previous Authorizations to Mark for the noted Report Number.

This Authorization to Mark is for the exclusive use of Intertek's Client and is provided pursuant to the Certification agreement between Intertek and its Client. Intertek's responsibility and liability are limited to the terms and conditions of the agreement. Intertek assumes no liability to any party, other than to the Client in accordance with the agreement, for any loss, expense or damage occasioned by the use of this Authorization to Mark. Only the Client is authorized to permit copying or distribution of this Authorization to Mark and then only in its entirety. Use of Intertek's Certification mark is restricted to the conditions laid out in the agreement and in this Authorization to Mark. Any further use of the Intertek name for the sale or advertisement of the tested material, product or service must first be approved in writing by Intertek. Initial Factory Assessments and Follow up Services are for the purpose of assuring appropriate usage of the Certification mark in accordance with the agreement, they are not for the purposes of production quality control and do not relieve the Client of their obligations in this respect.

Intertek Testing Services NA Inc.
545 East Algonquin Road, Arlington Heights, IL 60005
Telephone 800-345-3851 or 847-439-5667 Fax 312-283-1672

Standard(s):	Mounting Systems, Mounting Devices, Clamping/Retention Devices, and Ground Lugs for Use with Flat-Plate Photovoltaic Modules and Panels [UL 2703: 2015 Ed.1]
Product:	Photovoltaic Mounting System, Sun Frame Microrail - Installed Using Unirac Installation Guide, Rev PUB2019MAR01 with Annex North Row Extension Installation Guide Rev PUB2019FEB20
Brand Name:	Unirac
Models:	Unirac SFM

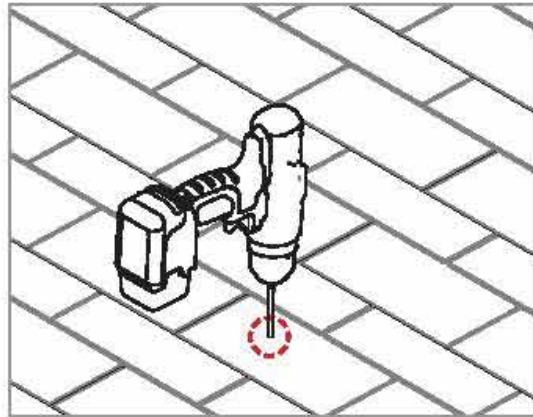


1403 N RESEARCH WAY, BUILDING J
OREM, UT 84097
800-377-4480
WWW.BLUERAVENSOLAR.COM

CONFIDENTIAL - THE INFORMATION HEREIN CONTAINED SHALL NOT BE USED FOR THE BENEFIT OF ANYONE EXCEPT BLUE RAVEN SOLAR NOR SHALL IT BE DISCLOSED IN WHOLE OR IN PART TO OTHERS OUTSIDE RECIPIENTS ORGANIZATION, EXCEPT IN CONNECTION WITH THE SALE AND USE OF THE RESPECTIVE EQUIPMENT, WITHOUT THE WRITTEN PERMISSION OF BLUE RAVEN SOLAR LLC.

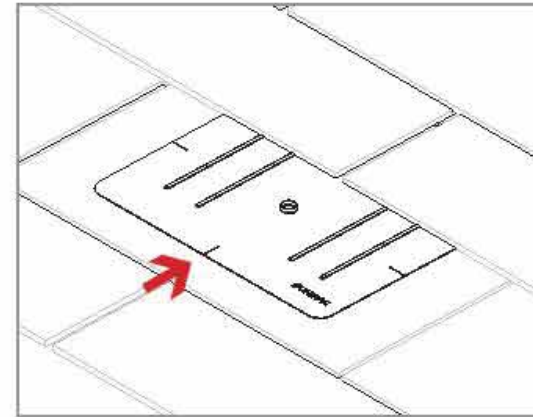


CONTRACTOR:
BRS FIELD OPS
385.498.6700



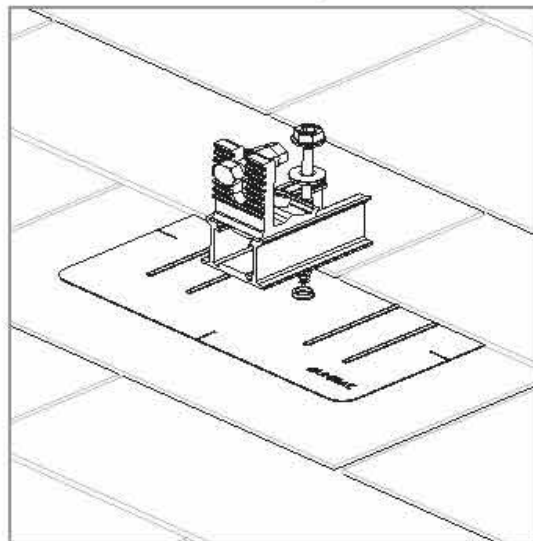
PILOT HOLES:

Drill pilot holes for lag screws or structural screws (as necessary) at marked attachment points



FLASHINGS:

Place flashings



INSTALL SLIDERS AND TRIMRAIL ROOF ATTACHMENTS:

- Insert flashings per manufacturer instructions
- NOTE: Use Lag screw or structural fastener with a maximum diameter of 5/16"**
- Attach sliders to rafters
- Verify proper row to row spacing for module size (Mod NS + 1")
- Ensure that Trimrail™ roof attachments in each row have sufficient engagement with slider dovetails for proper attachment.

