

PROJECT DESCRIPTION:

20 X 320 HANWHA QCELL Q.PEAK DUO-G5 (320 WATT) MODULES
 ROOF MOUNTED SOLAR PHOTOVOLTAIC MODULES
 SYSTEM SIZE: 6.40 KW DC STC
 ARRAY AREA: ROOF#1 - 145.12 SQ FT
 ROOF#2 - 90.70 SQ FT
 ROOF#3 - 126.98 SQ FT

EQUIPMENT SUMMARY

20 HANWHA QCELL Q.PEAK DUO-G5 (320 WATT) MODULES
 03 GENERAC PV LINK S2502 POWER OPTIMIZERS
 01 GENERAC PWRCELL X7602 (7.6KW) INVERTER

DESIGN SPECIFICATIONS

OCCUPANCY : II
 CONSTRUCTION : SINGLE-FAMILY
 ZONING : RESIDENTIAL
 GROUND SNOW LOAD : SEE STRUCTURAL LETTER
 WIND EXPOSURE : SEE STRUCTURAL LETTER
 WIND SPEED : SEE STRUCTURAL LETTER

APPLICABLE CODES & STANDARDS

NCBC 2018
 NEC 2017

AUTHORITIES HAVING JURISDICTION

BUILDING : LEE COUNTY
 ZONING : LEE COUNTY
 UTILITY : CENTRAL ELECTRIC MEMBERSHIP CORPORATION

PROJECT SITE

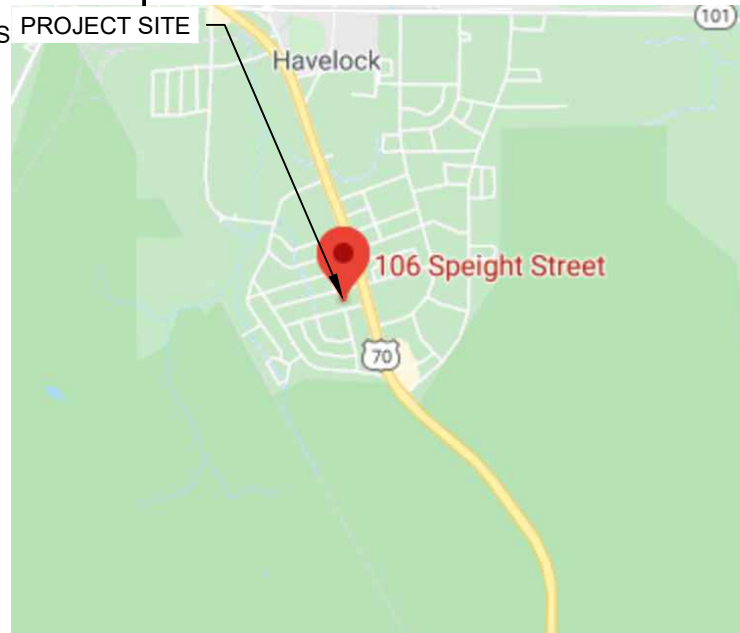


2

HOUSE PHOTO

PV-1

SCALE: NTS



3

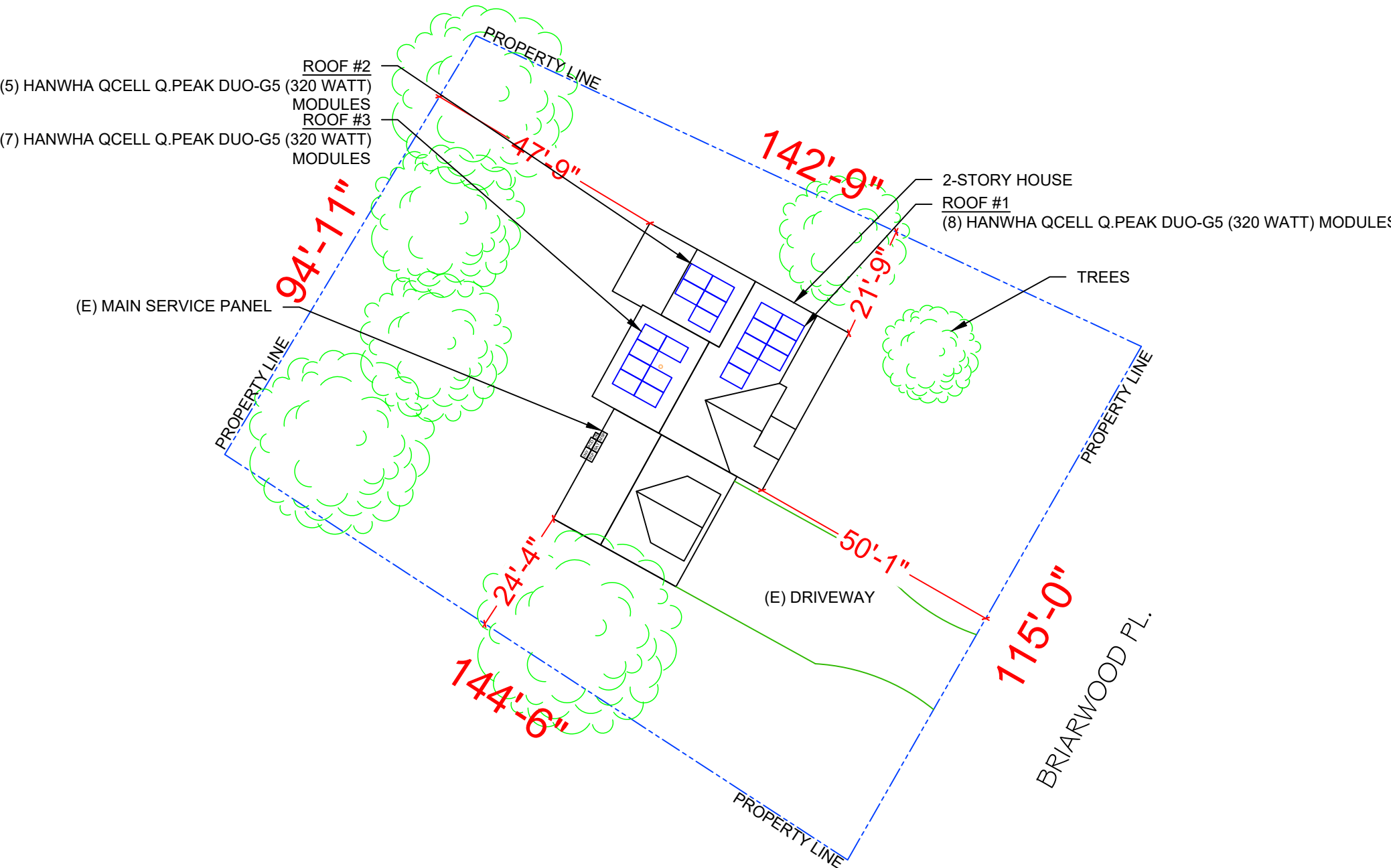
VICINITY MAP

PV-1

SCALE: NTS

SHEET INDEX

PV-1 PLOT PLAN & VICINITY MAP
 PV-2 ROOF PLAN & MODULES
 PV-2A STRING LAYOUT
 PV-3 ATTACHMENT DETAIL
 PV-4 ELECTRICAL LINE DIAGRAM
 PV-5 WIRING CALCULATIONS
 PV-6 to 12 EQUIPMENT SPECIFICATIONS

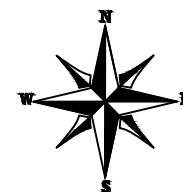


1

PLOT PLAN & VICINITY MAP

PV-1

SCALE: 1/25" = 1'-0"



POWERHOME
 POWER HOME SOLAR, LLC
 "POWER YOUR FUTURE"
 919 N. MAIN ST.
 MOORESVILLE, NC 28115
 Phone: 704-800-6691 (OFFICE)
 Email: info@powerhome.com
 Web: www.powerhome.com

REVISIONS		
DESCRIPTION	DATE	REV

Signature with Seal
 DATE: 3/19/2020

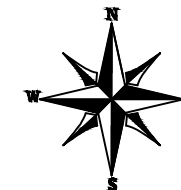
PROJECT NAME & ADDRESS

**WILLIAMS
 CHRISTOPHER J
 RESIDENCE
 36 BRIARWOOD PL.,
 SANFORD, NC 27332**

SHEET NAME
**PLOT PLAN &
 VICINITY MAP**

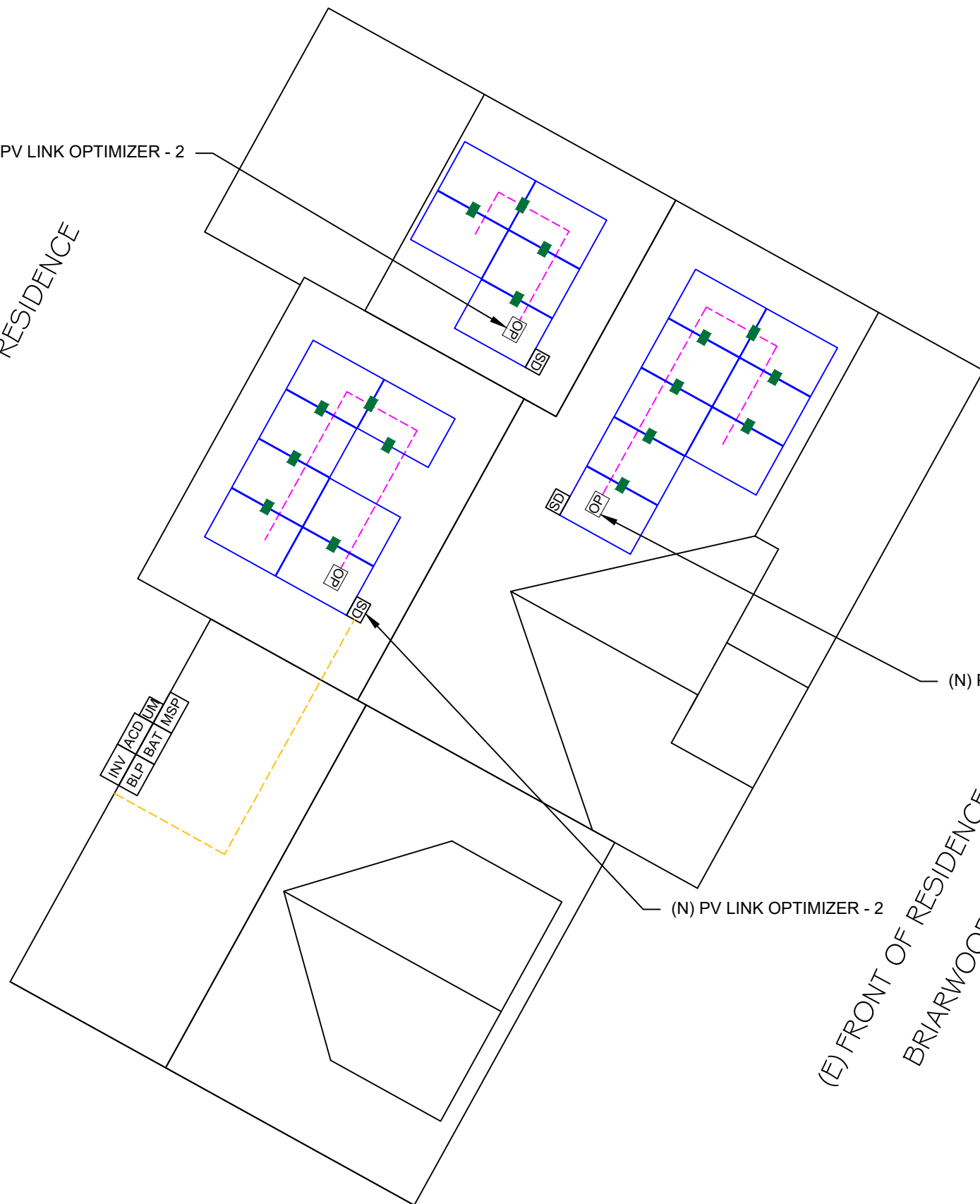
SHEET SIZE
**ANSI B
 11" X 17"**

SHEET NUMBER
PV-1



(E) BACK OF RESIDENCE

(N) PV LINK OPTIMIZER - 2



INV / AC DISCONNECT / BATTERY / MOUNTING

(N) PV LINK OPTIMIZER - 1

(N) PV LINK OPTIMIZER - 2

(E) FRONT OF RESIDENCE
BRIARWOOD PL.

BILL OF MATERIALS

EQUIPMENT	QTY	DESCRIPTION
SOLAR PV MODULE	20	HANWHA QCELL Q.PEAK DUO-G5 (320 WATT) MODULES
OPTIMIZER	03	GENERAC PV LINK S2502 POWER OPTIMIZERS
GENERAC SNAP RS	20	GENERAC SNAPRS MODEL RS801
INVERTER	01	GENERAC PWRCELL X7602 (7.6KW) INVERTER
AC DISCONNECT	1	60A FUSED, (2) 40A FUSES, 240V, NEMA 3R, UL LISTED
SOLADECK	3	SOLADECKS 600 V, NEMA 3R, UL LISTED
BATTERY	1	GENERAC PWRCELL9 BATTERY
BACKUP PANEL	1	125A, BACKUP PANEL, 240V
RAILS	13	QRAIL LIGHT 14 FT. BLACK
SPLICE KIT	6	QSPLICE INTERNAL LIGHT
TRUNK CABLE	0	TRUNK/PV CABLE CLIP
MODULE CLAMPS	29	UNIVERSAL MID CLAMP
GROUNDING LUG	8	WEEB LUG W/ T-BOLT
END CLAMPS	31	UNIVERSAL END CLAMPS
ATTACHMENT	52	L-MOUNT ATTACHMENT (QUICKMOUNT)
T-BOLT	75	T-BOLT W/ NUT M8 X 20MM
END CLAMP CLIP	5	WEEB BMC MILL

POWERHOME
 POWER HOME SOLAR, LLC
 "POWER YOUR FUTURE"
 919 N. MAIN ST.
 MOORESVILLE, NC 28115
 Phone: 704-800-6591 (OFFICE)
 Email: info@powerhome.com
 Web: www.powerhome.com

REVISIONS

DESCRIPTION	DATE	REV

Signature with Seal

DATE: 3/19/2020

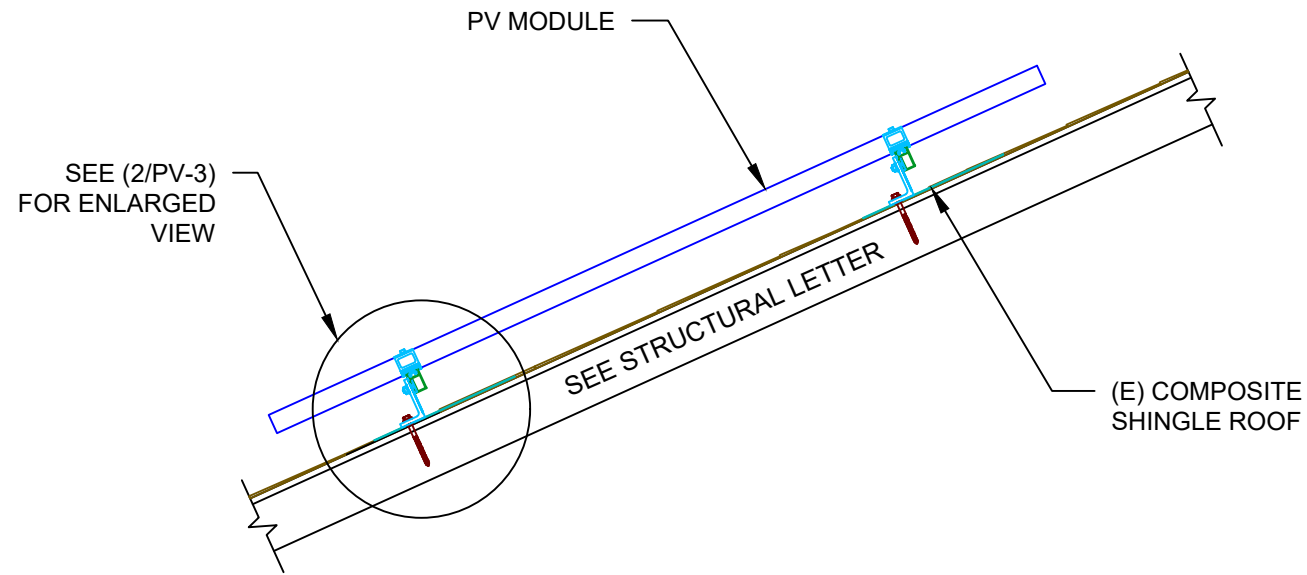
PROJECT NAME & ADDRESS

**WILLIAMS
CHRISTOPHER J
RESIDENCE
36 BRIARWOOD PL.,
SANFORD, NC 27332**

SHEET NAME
**STRING
LAYOUT**

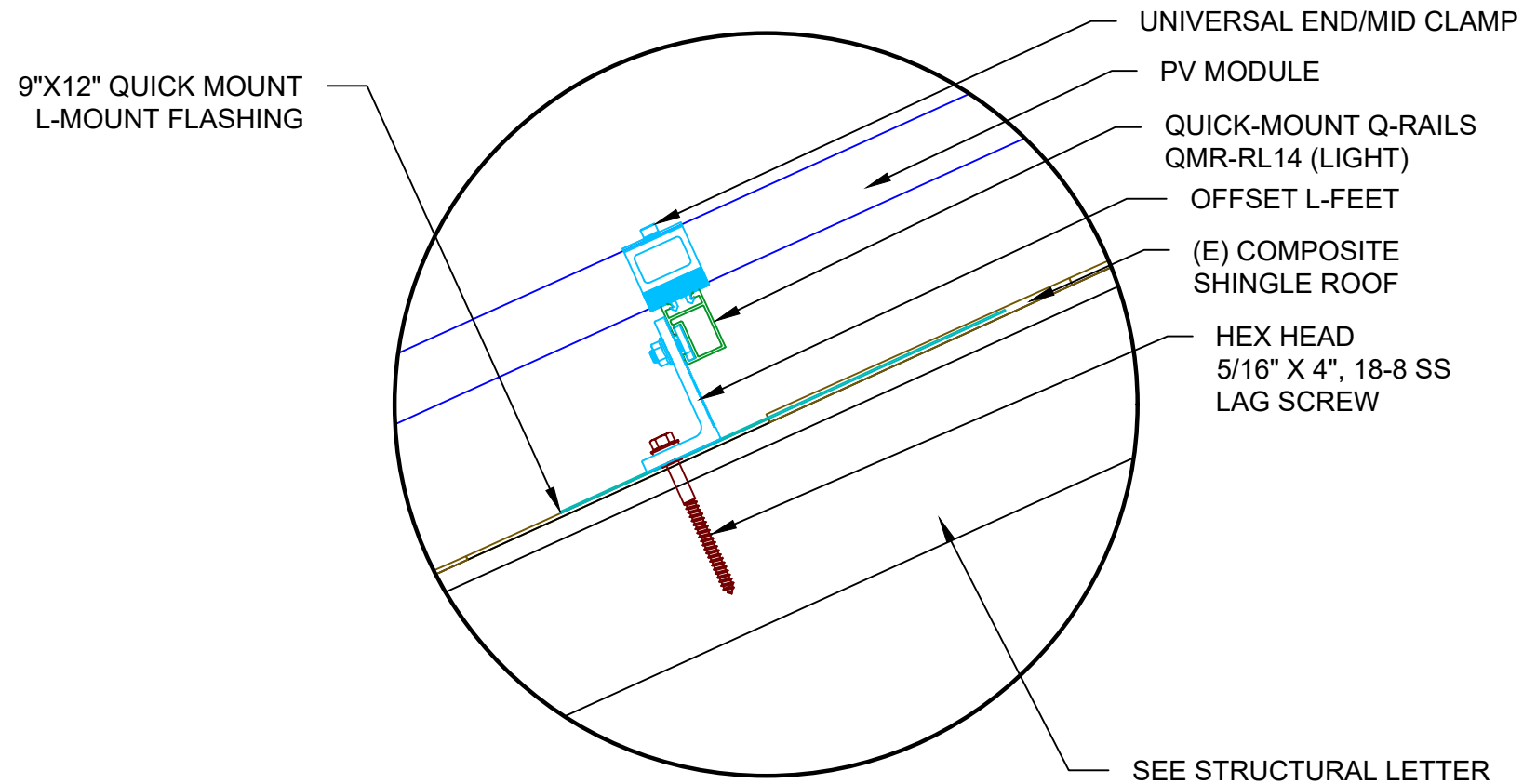
SHEET SIZE
**ANSI B
11" X 17"**

SHEET NUMBER
PV-2A



1 ATTACHMENT DETAIL

PV-3 SCALE: 1" = 1'-0"



2 ATTACHMENT DETAIL (enlarged view)

PV-3 SCALE: NTS

POWERHOME
 POWER HOME SOLAR, LLC
 "POWER YOUR FUTURE"
 919 N. MAIN ST.
 MOORESVILLE, NC 28115
 Phone: 704-800-6591 (OFFICE)
 Email: info@powerhome.com
 Web: www.powerhome.com

REVISIONS		
DESCRIPTION	DATE	REV

Signature with Seal

 DATE: 3/19/2020

PROJECT NAME & ADDRESS

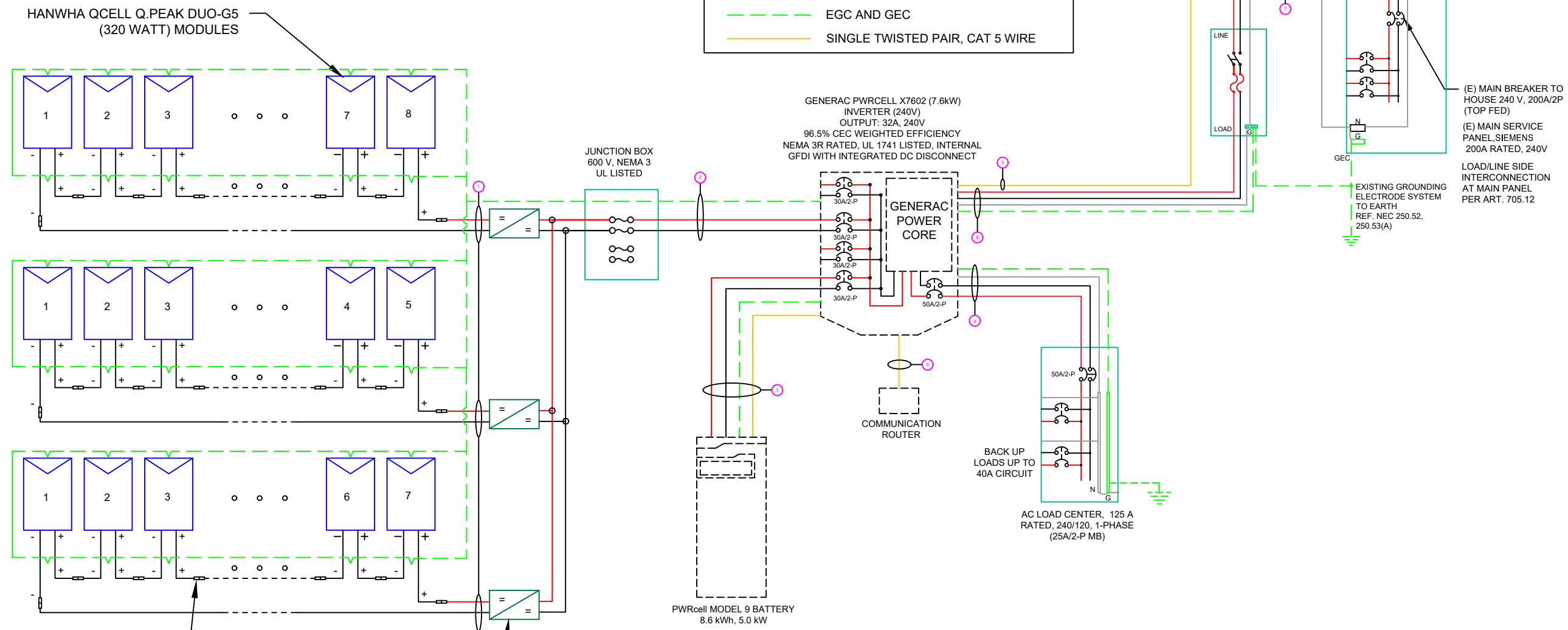
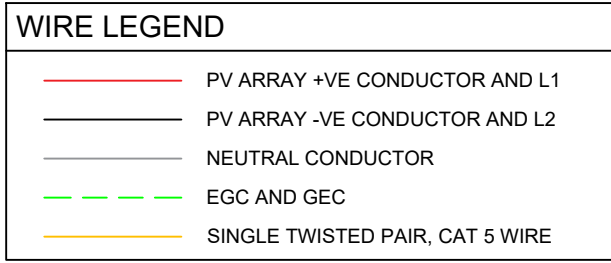
**WILLIAMS
 CHRISTOPHER J
 RESIDENCE
 36 BRIARWOOD PL.,
 SANFORD, NC 27332**

SHEET NAME
**ATTACHMENT
 DETAIL**

SHEET SIZE
**ANSI B
 11" X 17"**

SHEET NUMBER
PV-3

- (20) HANWHA QCELL Q.PEAK DUO-G5 (320 WATT) MODULES
- (1) PV LINK OF 8 MODULES CONNECTED IN SERIES
- (1) PV LINK OF 7 MODULES CONNECTED IN SERIES
- (1) PV LINK OF 5 MODULES CONNECTED IN SERIES



SNAP RS (RS801)
MAX INPUT CURRENT - 13 A
UL 1741 LISTED
MODULE LEVEL RAPID
SHUTDOWN (PVRSS)
COMPLIANT
NEMA 6P RATED

PV LINK SUBSTRING OPTIMIZER (S2502)
RATED POWER : 2500W
MPPT VOLTAGE RANGE: 60 TO 360 V
MAX OUTPUT VOLTAGE: 420A
MAX OUTPUT CURRENT: 8A
RAPID SHUTDOWN COMPLIANT
GROUND-FAULT PROTECTION COMPLIANT

- WARNING: PHOTOVOLTAIC POWER SOURCE**
LABEL 1 ON ALL CONDUITS SPACED AT MAX 10FT
- ! CAUTION ! SOLAR ELECTRIC SYSTEM CONNECTED AND ENERGIZED**
LABEL 2 AT INVERTER
- SOLAR PV SYSTEM EQUIPPED WITH RAPID SHUTDOWN**
TURN RAPID SHUTDOWN SWITCH TO THE OFF POSITION TO SHUT DOWN PV SYSTEM AND REDUCE SHOCK HAZARD IN THE ARRAY
LABEL 3 AT INVERTER
- PHOTOVOLTAIC DC DISCONNECT**
LABEL 4 AT DC DISCONNECT
- ! WARNING ! ELECTRIC SHOCK HAZARD DO NOT TOUCH TERMINALS MAY BE ENERGIZED IN THE OPEN POSITION**
LABEL 5 AT EACH AC DISCONNECT
- PHOTOVOLTAIC AC DISCONNECT**
LABEL 6 AT EACH AC DISCONNECT
- ! WARNING ! DUAL POWER SOURCES SECOND SOURCE IS PV SYSTEM**
LABEL 7 AT MEP
- ! WARNING ! SOLAR SYSTEM CONNECTED AND ENERGIZED**
LABEL 8 AT MEP
- ! CAUTION ! SOLAR POINT OF INTERCONNECTION**
LABEL 9 AT UTILITY METER
- ! WARNING ! THE SERVICE METER IS ALSO SERVED BY A PHOTOVOLTAIC SYSTEM**
LABEL 10 AT UTILITY METER

SERVICE INFO

UTILITY PROVIDER: CENTRAL ELECTRIC MEMBERSHIP CORPORATION
MAIN SERVICE VOLTAGE: 240V
MAIN PANEL BRAND: SIEMENS
MAIN SERVICE PANEL: 200A
MAIN CIRCUIT BREAKER RATING: 200A
MAIN SERVICE LOCATION: NORTH-WEST
SERVICE FEED SOURCE: UNDERGROUND

QTY	CONDUCTOR INFORMATION	CONDUIT TYPE	CONDUIT SIZE
1	(6) #10AWG - PV WIRE/USE-2	N/A	N/A
1	(1) #6AWG - BARE COPPER IN FREE AIR		
2	(2) #6AWG - THWN-2	EMT OR FLEX IN ATTIC	3/4"
2	(2) #10AWG - THWN-2 GND		
3	(1) #10AWG - THWN-2	EMT OR FLEX	3/4"
1	(1) CAT 5 COMMUNICATION WIRE		
4	(3) #6AWG - THWN-2	EMT OR FLEX	3/4"
5	(1) #6AWG - THWN-2 GND		
6	(1) CAT 5 COMMUNICATION WIRES	EMT OR FLEX	3/4"
7	(3) #6AWG - THWN-2	EMT OR FLEX	3/4"
1	(1) #6AWG - THWN-2 GND		
3	(3) #6AWG - THWN-2	EMT OR FLEX	3/4"

POWERHOME
POWER HOME SOLAR, LLC
"POWER YOUR FUTURE"
919 N. MAIN ST.
MOORESVILLE, NC 28115
Phone: 704-800-6591 (OFFICE)
Email: info@powerhome.com
Web: www.powerhome.com

REVISIONS

DESCRIPTION	DATE	REV

Signature with Seal
DATE: 3/19/2020

PROJECT NAME & ADDRESS
**WILLIAMS CHRISTOPHER J
RESIDENCE
36 BRIARWOOD PL.,
SANFORD, NC 27332**

SHEET NAME
ELECTRICAL LINE DIAGRAM

SHEET SIZE
**ANSI B
11" X 17"**

SHEET NUMBER
PV-4

SOLAR MODULE SPECIFICATIONS	
MANUFACTURER / MODEL #	HANWHA QCELL Q.PEAK DUO-G5 (320 WATT) MODULES
VMP	33.32V
IMP	9.60A
VOC	40.13V
ISC	10.09A
TEMP. COEFF. VOC	-0.28%/°C
PTC RATING	297W
MODULE DIMENSION	66.3"L x 39.4"W x 1.26"D (In Inch)

INVERTER SPECIFICATIONS	
MANUFACTURER / MODEL #	GENERAC PWRCELL X7602
AC POWER OUTPUT (LOADS/GRID)	7600VA
AC POWER OUTPUT (BACKUP)	8000VA
NOMINAL OUTPUT VOLTAGE	240 VAC
MAX OUTPUT CURRENT @240V (LOADS/GRID)	32A
MAX OUTPUT CURRENT @240V (BACKUP)	50A
NOMINAL DC INPUT VOLTAGE	380Vdc
MAX DC INPUT VOLTAGE	420Vdc
CEC WEIGHTED EFFICIENCY	96.5%
MAX DC POWER (PV)	10000W
MAX INPUT CURRENT (PV)	20Adc
CONT. PEAK POWER (BATTERY)	8000W

SERIES SUB STRING OPTIMIZER SPECIFICATIONS	
MANUFACTURER / MODEL #	PV LINK S2502
RATED POWER	2500W
MPPT VOLTAGE RANGE	60-360 Vmp
MAXIMUM INPUT VOLTAGE	420Voc
MAXIMUM OUTPUT	420 Adc
NOMINAL OUTPUT	380 Vdc
MAXIMUM OUTPUT CURRENT	8 A
MAXIMUM SHORT CIRCUIT CURRENT	18 A

BATTERY SPECIFICATIONS	
MANUFACTURER / MODEL #	GENERAC PWRCELL9 BATTERY
USABLE ENERGY	8.6kW
RATED CONTINUOUS POWER	3.4Kw
POWER: 60 MINUTES	4.2kW
POWER: 2 MINUTES	5.0kW
REBUS VOLTAGE: INPUT/ OUTPUT	360-420Vdc
MODULE VOLTAGE	46.8Vdc
ROUND-TRIP EFFICIENCY	96.5%

AMBIENT TEMPERATURE SPECS	
RECORD LOW TEMP	-11°
AMBIENT TEMP (HIGH TEMP 2%)	34°
CONDUIT HEIGHT	0.5"
ROOF TOP TEMP	56°

**DC CONDUCTOR AMPACITY CALCULATIONS:
ARRAY TO JUNCTION BOX:**

EXPECTED WIRE TEMP (In Celsius)	56°
TEMP. CORRECTION PER NEC TABLE 310.15 (B)(2)(a)	0.71
NO. OF CURRENT CARRYING CONDUCTORS	6
CONDUIT FILL CORRECTION PER NEC TABLE 310.15(B)(3)(a)	0.8
CIRCUIT CONDUCTOR SIZE	10 AWG
CIRCUIT CONDUCTOR AMPACITY PER NEC TABLE 310.15(B)(16)	40A

REQUIRED CIRCUIT CONDUCTOR AMPACITY PER NEC 690.8(A&B)	10A
1.25 X I _{max}	
DERATED AMPACITY OF CIRCUIT CONDUCTOR	
TEMP. CORRECTION PER TABLE 310.15 (B)(2)(a) X CONDUIT FILL CORRECTION PER NEC 310.15(B)(3)(a) X CIRCUIT CONDUCTOR AMPACITY 310.15 (B)(16)	22.72A
Result should be greater than (10A) otherwise less the entry for circuit conductor size and ampacity	

FROM JUNCTION BOX TO INVERTER:

EXPECTED WIRE TEMP (In Celsius)	56°
TEMP. CORRECTION PER NEC TABLE 310.15 (B)(2)(a)	0.71
NO. OF CURRENT CARRYING CONDUCTORS	2
CONDUIT FILL CORRECTION PER NEC TABLE 310.15(B)(3)(a)	1
CIRCUIT CONDUCTOR SIZE	6 AWG
CIRCUIT CONDUCTOR AMPACITY PER NEC TABLE 310.15(B)(16)	75A

REQUIRED CIRCUIT CONDUCTOR AMPACITY PER NEC 690.8(A&B)	30A
1.25 X I _{max} X # of PV LINKS	
DERATED AMPACITY OF CIRCUIT CONDUCTOR	
TEMP. CORRECTION PER TABLE 310.15 (B)(2)(a) X CONDUIT FILL CORRECTION PER NEC 310.15(B)(3)(a) X CIRCUIT CONDUCTOR AMPACITY 310.15 (B)(16)	53.25A
Result should be greater than (30A) otherwise less the entry for circuit conductor size and ampacity	

FROM BATTERY TO INVERTER:

EXPECTED WIRE TEMP (In Celsius)	34°
TEMP. CORRECTION PER NEC TABLE 310.15 (B)(2)(a)	0.96
NO. OF CURRENT CARRYING CONDUCTORS	2
CONDUIT FILL CORRECTION PER NEC TABLE 310.15(B)(3)(a)	1
CIRCUIT CONDUCTOR SIZE	10 AWG
CIRCUIT CONDUCTOR AMPACITY PER NEC TABLE 310.15(B)(16)	40A

REQUIRED CIRCUIT CONDUCTOR AMPACITY PER NEC 690.8(A&B)	26.25A
1.25 X I _{max}	
DERATED AMPACITY OF CIRCUIT CONDUCTOR	
TEMP. CORRECTION PER TABLE 310.15 (B)(2)(a) X CONDUIT FILL CORRECTION PER NEC 310.15(B)(3)(a) X CIRCUIT CONDUCTOR AMPACITY 310.15 (B)(16)	38.40A
Result should be greater than (26.25A) otherwise less the entry for circuit conductor size and ampacity	

**AC CONDUCTOR AMPACITY CALCULATIONS:
FROM INVERTER TO BACK-UP PANEL:**

No. OF INVERTER	1
EXPECTED WIRE TEMP (In Celsius)	34°
TEMP. CORRECTION PER NEC TABLE 310.15(B)(2)(a)	0.96
NO. OF CURRENT CARRYING CONDUCTORS	2
CONDUIT FILL CORRECTION PER NEC TABLE 310.15(B)(3)(a)	1
CIRCUIT CONDUCTOR SIZE	6 AWG
CIRCUIT CONDUCTOR AMPACITY PER NEC TABLE 310.15(B)(16)	75A

REQUIRED CIRCUIT CONDUCTOR AMPACITY PER NEC 690.8(A&B)	42.5A
1.25 X INVERTER OUTPUT CURRENT (BACKUP POWER)	
DERATED AMPACITY OF CIRCUIT CONDUCTOR	
TEMP. CORRECTION PER TABLE 310.15 (B)(2)(a) X CONDUIT FILL CORRECTION PER NEC 310.15(B)(3)(a) X CIRCUIT CONDUCTOR AMPACITY 310.15 (B)(16)	72A
Result should be greater than (42.5A) otherwise less the entry for circuit conductor size and ampacity	

**AC CONDUCTOR AMPACITY CALCULATIONS:
FROM INVERTER TO MEP:**

No. OF INVERTER	1
EXPECTED WIRE TEMP (In Celsius)	34°
TEMP. CORRECTION PER NEC TABLE 310.15(B)(2)(a)	0.96
NO. OF CURRENT CARRYING CONDUCTORS	2
CONDUIT FILL CORRECTION PER NEC TABLE 310.15(B)(3)(a)	1
CIRCUIT CONDUCTOR SIZE	6 AWG
CIRCUIT CONDUCTOR AMPACITY PER NEC TABLE 310.15(B)(16)	75A

REQUIRED CIRCUIT CONDUCTOR AMPACITY PER NEC 690.8(A&B)	40A
1.25 X MAX INVERTER OUTPUT CURRENT (LOADS/GRID)	
DERATED AMPACITY OF CIRCUIT CONDUCTOR	
TEMP. CORRECTION PER TABLE 310.15 (B)(2)(a) X CONDUIT FILL CORRECTION PER NEC 310.15(B)(3)(a) X CIRCUIT CONDUCTOR AMPACITY 310.15 (B)(16)	72A
Result should be greater than (40A) otherwise less the entry for circuit conductor size and ampacity	



REVISIONS		
DESCRIPTION	DATE	REV

Signature with Seal

DATE: 3/19/2020

PROJECT NAME & ADDRESS

**WILLIAMS
CHRISTOPHER J
RESIDENCE
36 BRIARWOOD PL.,
SANFORD, NC 27332**

SHEET NAME
**WIRING
CALCULATIONS**

SHEET SIZE
**ANSI B
11" X 17"**

SHEET NUMBER
PV-5



Q.ANTUM SOLAR MODULE

The new Q.PEAK DUO-G5 solar module from Q CELLS impresses thanks to innovative Q.ANTUM DUO Technology, which enables particularly high performance on a small surface. Q.ANTUM's world-record-holding cell concept has now been combined with state-of-the-art circuitry half cells and a six-busbar design, thus achieving outstanding performance under real conditions - both with low-intensity solar radiation as well as on hot, clear summer days.

- Q.ANTUM TECHNOLOGY: LOW LEVELIZED COST OF ELECTRICITY**
Higher yield per surface area, lower BOS costs, higher power classes, and an efficiency rate of up to 19.9%.
- INNOVATIVE ALL-WEATHER TECHNOLOGY**
Optimal yields, whatever the weather with excellent low-light and temperature behavior.
- ENDURING HIGH PERFORMANCE**
Long-term yield security with Anti LID and Anti PID Technology¹, Hot-Spot Protect and Traceable Quality Tra.Q™.
- EXTREME WEATHER RATING**
High-tech aluminum alloy frame, certified for high snow (5400Pa) and wind loads (4000Pa) regarding IEC.
- A RELIABLE INVESTMENT**
Inclusive 12-year product warranty and 25-year linear performance guarantee².
- STATE OF THE ART MODULE TECHNOLOGY**
Q.ANTUM DUO combines cutting edge cell separation and innovative wiring with Q.ANTUM Technology.



¹ APT test conditions according to IEC/TS 62804-1:2015, method B (-1500V, 168 h)
² See data sheet on rear for further information.

THE IDEAL SOLUTION FOR:

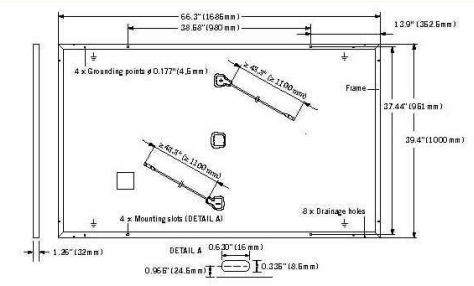
- Rooftop arrays on residential buildings
- Rooftop arrays on commercial/industrial buildings

Engineered in Germany



MECHANICAL SPECIFICATION

Format	66.3 in x 39.4 in x 1.26 in (including frame) (1685 mm x 1000 mm x 32 mm)
Weight	41.2 lbs (18.7 kg)
Front Cover	0.13 in (3.2 mm) thermally pre-stressed glass with anti-reflection technology
Back Cover	Composite film
Frame	Black anodized aluminum
Cell	6 x 20 monocrystalline Q.ANTUM solar half-cells
Junction box	2.76-3.35 in x 1.97-2.76 in x 0.51-0.83 in (70-85 mm x 50-70 mm x 13-21 mm), decentralized, IP67
Cable	4 mm ² Solar cable; (+) ≥ 43.3 in (1100 mm), (-) ≥ 43.3 in (1100 mm)
Connector	Multi-Contact MC4, IP68

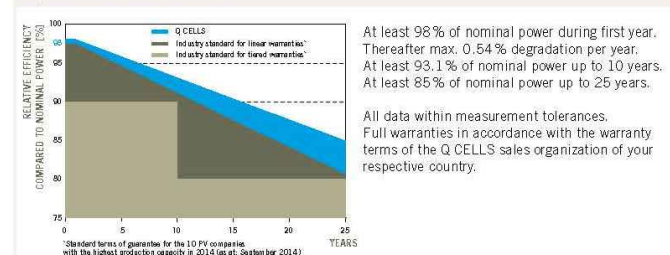


ELECTRICAL CHARACTERISTICS

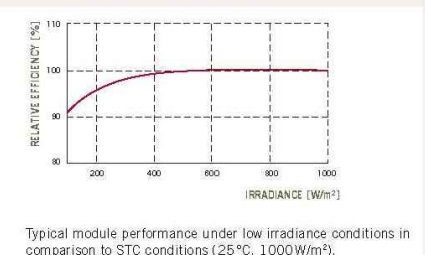
POWER CLASS		315	320	325	330	
MINIMUM PERFORMANCE AT STANDARD TEST CONDITIONS, STC ¹ (POWER TOLERANCE +5 W / -0 W)						
Minimum	Power at MPP ¹	P _{MPP} [W]	315	320	325	330
	Short Circuit Current ¹	I _{SC} [A]	10.04	10.09	10.14	10.20
	Open Circuit Voltage ¹	V _{OC} [V]	39.87	40.13	40.40	40.66
	Current at MPP ¹	I _{MPP} [A]	9.55	9.60	9.66	9.71
	Voltage at MPP	V _{MPP} [V]	32.98	33.32	33.65	33.98
	Efficiency ¹	η [%]	≥ 18.7	≥ 19.0	≥ 19.3	≥ 19.6
MINIMUM PERFORMANCE AT NORMAL OPERATING CONDITIONS, NMOT ²						
Minimum	Power at MPP	P _{MPP} [W]	235.3	239.0	242.8	246.5
	Short Circuit Current	I _{SC} [A]	8.09	8.13	8.17	8.22
	Open Circuit Voltage	V _{OC} [V]	37.52	37.77	38.02	38.27
	Current at MPP	I _{MPP} [A]	7.52	7.56	7.60	7.64
	Voltage at MPP	V _{MPP} [V]	31.30	31.62	31.94	32.25

¹Measurement tolerances P_{MPP} ± 3%; I_{SC}, V_{OC} ± 5% at STC; 1000 W/m², 25 ± 2°C, AM 1.5 G according to IEC 60904-3 - 800 W/m², NMOT, spectrum AM 1.5 G

Q CELLS PERFORMANCE WARRANTY



PERFORMANCE AT LOW IRRADIANCE



TEMPERATURE COEFFICIENTS

Temperature Coefficient of I _{SC}	α	[%/K]	+0.04	Temperature Coefficient of V _{OC}	β	[%/K]	-0.28
Temperature Coefficient of P _{MPP}	γ	[%/K]	-0.37	Normal Module Operating Temperature	NMOT	[°F]	109 ± 5.4 (43 ± 3°C)

PROPERTIES FOR SYSTEM DESIGN

Maximum System Voltage V _{sys}	[V]	1000 (IEC) / 1000 (UL)	Safety Class	II
Maximum Series Fuse Rating	[A DC]	20	Fire Rating	C (IEC) / TYPE 1 (UL)
Max. Design Load, push ²	[lbs/ft ²]	75 (3600 Pa) / 55 (2667 Pa)	Permitted module temperature on continuous duty	-40°F up to +185°F (-40°C up to +85°C)
Max. Test Load, Push / Pull ²	[lbs/ft ²]	113 (5400 Pa) / 84 (4000 Pa)	² see installation manual	

QUALIFICATIONS AND CERTIFICATES

UL 1703; VDE Quality Tested; CE-compliant; IEC 61215:2016; IEC 61730:2011, application class A

PACKAGING INFORMATION

Number of Modules per Pallet	32
Number of Pallets per 53' Trailer	30
Number of Pallets per 40' High Cube Container	26
Pallet Dimensions (L x W x H)	69.3 in x 45.3 in x 46.9 in (1760 mm x 1150 mm x 1190 mm)
Pallet Weight	1415 lbs (642 kg)

NOTE: Installation instructions must be followed. See the installation and operating manual or contact our technical service department for further information on approved installation and use of this product.

Hanwha Q CELLS America Inc.
300 Spectrum Center Drive, Suite 1250, Irvine, CA 92618, USA | TEL +1 949 748 59 96 | EMAIL inquiry@us.q-cells.com | WEB www.q-cells.us

Specifications subject to technical changes © Hanwha Q CELLS Q.PEAK DUO-G5_315-330_2018-03_Rev02_JVA

POWERHOME

POWER HOME SOLAR, LLC
"POWER YOUR FUTURE"
919 N. MAIN ST.
MOORESVILLE, NC 28115
Phone: 704-800-6591 (OFFICE)
Email: info@powerhome.com
Web: www.powerhome.com

REVISIONS

DESCRIPTION	DATE	REV

Signature with Seal

DATE: 3/19/2020

PROJECT NAME & ADDRESS

WILLIAMS CHRISTOPHER J
RESIDENCE
36 BRIARWOOD PL.,
SANFORD, NC 27332

SHEET NAME
EQUIPMENT SPECIFICATION

SHEET SIZE
ANSI B 11" X 17"

SHEET NUMBER
PV-6

FEATURES:

No autotransformer or battery inverter needed

User-selectable modes

Free system monitoring



GENERAC

PWRCELL

Inverter

Model: X7602, X11402

Solar-plus-storage is simple with the Generac PWRcell Inverter. This bi-directional, REbus™-powered inverter offers a simple, efficient design for integrating smart batteries with solar. Ideal for self-supply, backup power, zero-export and energy cost management, the PWRcell inverter is the industry's most feature-rich line of inverters, available in single-phase and three-phase models.

ADDITIONAL FEATURES

- Single inverter for grid-tied solar with smart battery integration
- Simplified system design: No autotransformer or battery inverter needed
- User-selectable modes for backup power, self-supply, time-of-use and zero-export
- Free system monitoring included via PWRview Web Portal and Mobile App

AC OUTPUT/ GRID-TIE	MODEL X7602	MODEL X11402
RATED AC POWER OUTPUT	7600 W	11400 W
AC OUTPUT VOLTAGE	120/240, 1Ø VAC	120/208, 3Ø VAC
AC FREQUENCY	60 Hz	60 Hz
MAXIMUM CONTINUOUS OUTPUT CURRENT	32 A, RMS	32 A, RMS
GROUND-FAULT ISOLATION DETECTION	Included	Included
CHARGE BATTERY FROM AC	Yes	Yes
THD (CURRENT)	< 2%	< 2%
TYPICAL NIGHTTIME POWER CONSUMPTION	< 7 W	< 7 W

AC OUTPUT/ BACKUP	MODEL X7602	MODEL X11402
RATED AC BACKUP POWER OUTPUT	8000 W	8000 W
MAXIMUM AC BACKUP POWER OUTPUT	12000 W	12000 W
AC BACKUP OUTPUT VOLTAGE	120/240, 1Ø VAC	120/240, 1Ø VAC
AC FREQUENCY	60 HZ	60 HZ
AC CIRCUIT BREAKER	50 A	50 A
THD (VOLTAGE)	< 2%	< 2%
AUTOMATIC SWITCHOVER TIME	< 1 Seconds	< 1 Seconds
TYPICAL NIGHTTIME POWER CONSUMPTION	30 W	30 W

DC INPUT	MODEL X7602	MODEL X11402
DC INPUT VOLTAGE RANGE	360-420 VDC	360-420 VDC
NOMINAL DC BUS VOLTAGE	380 VDC	380 VDC
MAX INPUT CURRENT	20 A	30 A
REVERSE-POLARITY PROTECTION	YES	YES
GROUND-FAULT ISOLATION DETECTION	YES	YES
TRANSFORMERLESS, UNGROUNDED	YES	YES

DC INPUT/ BATTERY	MODEL X7602	MODEL X11402
MAXIMUM CONTINUOUS POWER	8000 W	8000 W
INTERNAL DC DISTRIBUTION BREAKERS	4X 2P30A	4X 2P30A
DC FUSES ON PLUS AND MINUS	40 A	40 A
2-POLE DISCONNECTION	YES	YES

EFFICIENCY	MODEL X7602	MODEL X11402
PEAK EFFICIENCY	97%	98%
CEC WEIGHTED EFFICIENCY	96.5%	97.5%

Specifications



FEATURES AND MODES

ISLANDING ³	Yes
GRID SELL	Yes
SELF CONSUMPTION	Yes
PRIORITIZED CHARGING FROM RENEWABLES	Yes
GRID SUPPORT - ZERO EXPORT	Yes

ADDITIONAL FEATURES

SUPPORTED COMMUNICATION INTERFACES	CANbus, RS4854, Ethernet
SYSTEM MONITORING	PWRview Web Portal and Mobile App
CRITICAL LOADS DISCONNECT ³	Yes
MANUAL INVERTER BYPASS SWITCH	Automatic
WARRANTY	10 Years

STANDARDS COMPLIANCE

SAFETY	UL1741 SA, CSA 22.2
GRID CONNECTION STANDARDS	IEEE1547, Rule 21, Rule 14H
EMISSIONS	FCC part15 class B

DIMENSIONS AND INSTALLATION SPECIFICATIONS

WIRE GAUGE RANGE	10 - 8 AWG
TOTAL AC KNOCKOUTS X SIZE	2" x 0.75", 2 x 1"
TOTAL DC KNOCKOUTS X SIZE	5" x 1"
DIMENSIONS (L, W, H)	24.5" x 19.25" x 8"
WEIGHT	62.7 lb
COOLING	Forced convection
NOISE	< 40 dBA
OPERATING TEMPERATURE	-20 to 50 °C*
PROTECTION RATING	NEMA 3R

INSTALLATION GUIDELINES

BATTERY TYPES SUPPORTED	PWRcell battery module
MODULE STRING SIZE PER PV LINK OPTIMIZER	2-9 PV modules
MAXIMUM RECOMMENDED DC POWER FROM PV	10kW (1Ø), 15kW (3Ø)
BATTERIES PER INVERTER	Up to 2

³ 3Ø inverters offer islanding for 1Ø loads, ⁴ Modbus, *Reduced power at extreme temperatures

Specifications subject to change without notice.

GENERAC

Generac Power Systems, Inc.
S45 W29290 Hwy. 59, Waukesha, WI 53189
www.Generac.com 1-888-GENERAC (1-888-436-3722)

GENERAC

Generac Power Systems, Inc.
S45 W29290 Hwy. 59, Waukesha, WI 53189
www.Generac.com 1-888-GENERAC (1-888-436-3722)



POWER HOME SOLAR, LLC
"POWER YOUR FUTURE"
919 N. MAIN ST.
MOORESVILLE, NC 28115
Phone: 704-800-6591 (OFFICE)
Email: info@powerhome.com
Web: www.powerhome.com

REVISIONS

DESCRIPTION	DATE	REV

Signature with Seal

DATE: 3/19/2020

PROJECT NAME & ADDRESS

WILLIAMS
CHRISTOPHER J
RESIDENCE
36 BRIARWOOD PL.,
SANFORD, NC 27332

SHEET NAME
EQUIPMENT
SPECIFICATION

SHEET SIZE

ANSI B
11" X 17"

SHEET NUMBER

PV-7



FEATURES:

Easy installation

Low cost, high efficiency solution

NEC 2017 and 2020 PVRSS compliant

Specifications



SNAPRS (RS801)

PV MODULE MAX VOC	75 V	OPERATING TEMPERATURE	-40 to 70 °C
EFFICIENCY	99.9 %	CERTIFICATIONS	UL1741
MAX INPUT CURRENT	13 A	WEIGHT	100 g
SHUTDOWN TIME	< 10 Seconds	DIMENSIONS (L,W,H)	1" x 1" x 7"
ENCLOSURE RATING	NEMA 6P	WARRANTY	25 Years

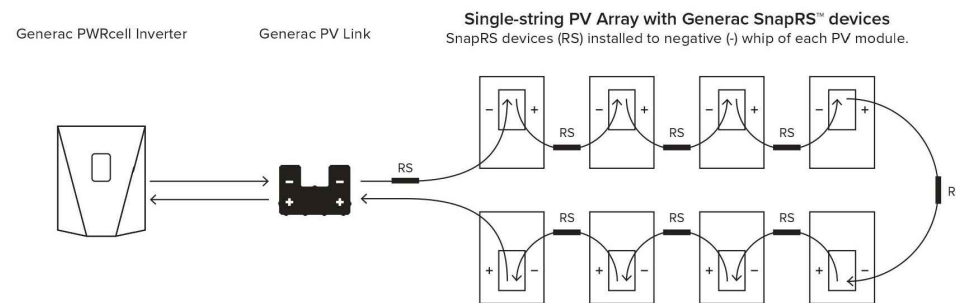
SnapRS™

Instant Rapid Shutdown Compliance
Model: RS801

The Generac SnapRS is NEC 2017 compliant, and doesn't require any extra hardware to mount, no pairing and no fussy digital communications. Just snap a Generac SnapRS disconnect device to each PV module for total rapidshutdown performance. When signaled by the inverter, SnapRS units break the PV circuit, reducing array voltage to <80V in seconds.

SYSTEM DESIGN

Snap a Generac SnapRS disconnect device to the negative (-) of each module in the solar array for simple NEC-2017 module-level rapid shutdown compliance. SnapRS devices isolate array voltage when a rapid shutdown command is given by a connected Islanding Inverter



ADDITIONAL FEATURES

- Fast, easy and simple to install
- One SnapRS device per PV module
- Achieves PVRSS Compliance
- Low cost, high efficiency solution

Specifications subject to change without notice.



Generac Power Systems, Inc.
S45 W29290 Hwy. 59, Waukesha, WI 53189
www.Generac.com 1-888-GENERAC (1-888-436-3722)



Generac Power Systems, Inc.
S45 W29290 Hwy. 59, Waukesha, WI 53189
www.Generac.com 1-888-GENERAC (1-888-436-3722)



POWER HOME SOLAR, LLC
"POWER YOUR FUTURE"
919 N. MAIN ST.
MOORESVILLE, NC 28115
Phone: 704-800-6591 (OFFICE)
Email: info@powerhome.com
Web: www.powerhome.com

REVISIONS

DESCRIPTION	DATE	REV

Signature with Seal

DATE: 3/19/2020

PROJECT NAME & ADDRESS

WILLIAMS
CHRISTOPHER J
RESIDENCE
36 BRIARWOOD PL.,
SANFORD, NC 27332

SHEET NAME

EQUIPMENT
SPECIFICATION

SHEET SIZE

ANSI B
11" X 17"

SHEET NUMBER

PV-8

FEATURES:

Connect up to 2 PWRcells to a single PWRcell Inverter

Plug-and-play with PWRcell Inverters and PV Links

Residential and commercial application ready



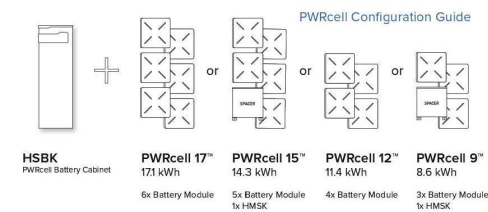
GENERAC PWRCELL

Battery
Model: 9, 12, 15, 17

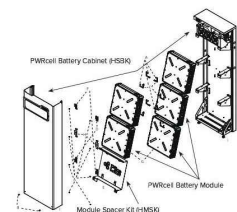
No other smart battery offers the flexibility of PWRcell. Whether for backup power or smart energy management, the PWRcell battery has power and capacity options for every need, without sacrificing flexibility or function.

The PWRcell battery series allows system owners the flexibility to scale from the economical 8.6kWh PWRcell 9™ to the massive 17.1 kWh PWRcell 17™ by adding additional PWRcell battery modules, the gold standard in storage.

PWRCELL CONFIGURATION GUIDE



PWRCELL ASSEMBLY



PWRCELL BATTERY DESIGN

PWRcell is a modular smart battery platform that allows for a range of configurations to suit any need, small or large. PWRcell can be built in capacities ranging from 8.6-17.1kWh. When needs change, PWRcell can be upgraded with additional modules. Use the chart above to understand what components you need for your chosen PWRcell configuration.

ADDITIONAL FEATURES

- Connect as many as two 2 PWRcells to a single PWRcell Inverter™ for up to 34.2kWh of storage
- Best-in-class battery backup power
- Plug-and-play with PWRcell Inverters™ and PV Links™
- Time-of-use (TOU) and zero-export ready
- Residential and commercial application ready

Specifications

PWRCELL MODEL	9	12	15	17
BATTERY MODULES	3	4	5	6
USABLE ENERGY	8.6 kWh	11.4 kWh	14.3 kWh	17.1 kWh
POWER: RATED CONTINUOUS	3.4 kW	4.5 kW	5.6 kW	6.7 kW
POWER: 60 MINUTES	4.2 kW	5.6 kW	7.0 kW	8.4 kW
POWER: 2 MINUTES	5.0 kW	6.7 kW	8.4 kW	10.0 kW
REBUS VOLTAGE: INPUT/OUTPUT	360-420 VDC			
MODULE VOLTAGE	46.8 VDC			
ROUND-TRIP EFFICIENCY	96.5 %			
OPERATING TEMPERATURE	-10 to 45 °C*			
RECOMMENDED TEMPERATURE	13 to 30 °C			
MAXIMUM INSTALLATION ALTITUDE	9834 ft. (3000 m)			
DIMENSIONS (L,W,H)	68" x 22" x 10"			
WEIGHT (ENCLOSURE)	115 lb. (52 kg)			
WEIGHT (INSTALLED)	280 lb. (127 kg)	335 lb. (152 kg)	390 lb. (178 kg)	445 lb. (202 kg)
WARRANTY: LI-ION MODULES	10 Years, (22.6 MWh)	10 Years, (30.2 MWh)	10 Years, (37.8 MWh)	10 Years, (45.3 MWh)
WARRANTY: ELECTRONICS AND ENCLOSURE	10 Years			
COMMUNICATION PROTOCOL	REbus DC Nanogrid™			
COMPLIANCE	UL 9540, UL 1973, UL 1642, CSA 22.2			

*Reduced power at extreme temperatures

Specifications subject to change without notice.

UPGRADING PWRCELL

Inside of the PWRcell battery, the PWRcell battery modules are stacked 2-deep on three levels, allowing for up to six modules to be connected in series. Upgrade an existing PWRcell battery by adding modules and a module spacer (HMSK) if required. PWRcell 9 and PWRcell 15 require a module spacer.

Generac offers a convenient PWRcell Battery Upgrade Kit (HMUK) to help replace lost or misplaced hardware. A PWRcell Battery Upgrade Kit may be purchased from your Generac distributor.

Refer to the table to the right for material requirements related to upgrading PWRcell.

UPGRADE MATERIAL REQUIREMENTS

Starting Configuration	Ending Configuration		
	PWRCELL 17	PWRCELL 15	PWRCELL 12
PWRCELL 9	+ 3 x PWRCell Mod + 2 x HMUK*	+ 2 x PWRCell Mod + 1 x HMUK*	+ 1 x PWRCell Mod + 1 x HMUK*
PWRCELL 12	+ 2 x PWRCell Mod + 1 x HMUK*	+ 1 x PWRCell Mod + 1 x HMSK	
PWRCELL 15	+ 1 x PWRCell Mod + 1 x HMUK*		

*HMUK (Upgrade kit) only required if original hardware is unavailable



POWER HOME SOLAR, LLC
"POWER YOUR FUTURE"
919 N. MAIN ST.
MOORESVILLE, NC 28115
Phone: 704-800-6591 (OFFICE)
Email: info@powerhome.com
Web: www.powerhome.com

REVISIONS

DESCRIPTION	DATE	REV

Signature with Seal

DATE: 3/19/2020

PROJECT NAME & ADDRESS

WILLIAMS
CHRISTOPHER J
RESIDENCE
36 BRIARWOOD PL.,
SANFORD, NC 27332

SHEET NAME
EQUIPMENT
SPECIFICATION

SHEET SIZE

ANSI B
11" X 17"

SHEET NUMBER

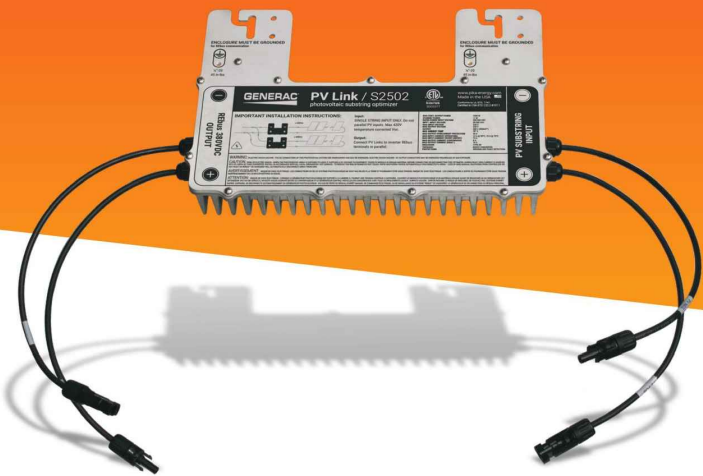
PV-9



Generac Power Systems, Inc.
S45 W29290 Hwy. 59, Waukesha, WI 53189
www.Generac.com 1-888-GENERAC (1-888-436-3722)



Generac Power Systems, Inc.
S45 W29290 Hwy. 59, Waukesha, WI 53189
www.Generac.com 1-888-GENERAC (1-888-436-3722)



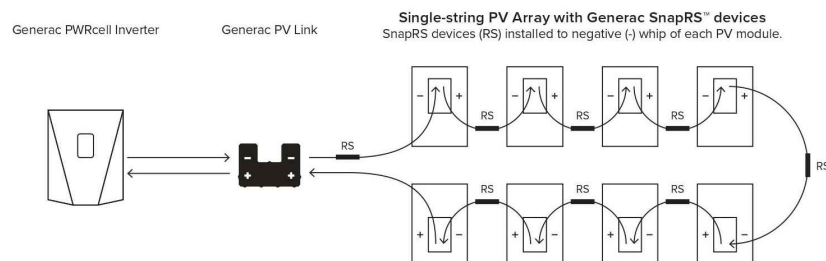
PV Link™

S2500 Series sub-string optimizer
Model: S2502

PV Link is the simple solar optimizer for quick installation and long-lasting performance. Connect as few as two or as many as nine PV modules to each PV Link to overcome shading and challenging roof lines.

ADDITIONAL FEATURES

- Quick connections with MC4 connectors
- 2500W capacity
- Compatible with high-voltage smart batteries
- Cost-effective solution for high-performance PV
- Ground-fault protection



FEATURES:

Fast, simple installation

Lower failure risk than module-level optimizers

NEC 2017 rapid shutdown compliant with SnapRS™

Specifications



PWRCELL PV LINK (S2502)

RATED POWER	2500 W	PROTECTIONS	Ground-fault, Arc-fault (Arc-fault Type 1 AFCI, Integrated)
PEAK EFFICIENCY	99%	MAX OPERATING TEMP	70 °C
MPPT VOLTAGE RANGE	60-360 VMP	SYSTEM MONITORING	PWRview Web Portal and Mobile App
MAX INPUT VOLTAGE	420 VOC; max when cold	ENCLOSURE	Type 3R
MAX OUTPUT	420 VOC	WEIGHT	7.3 lb
NOMINAL OUTPUT (REBUS™)	380 VDC	DIMENSIONS (L,W,H)	2" x 15.4" x 9.6"
MAX OUTPUT CURRENT	8 A	COMPLIANCE	UL 1741, CSA 22.2
MAX SHORT CIRCUIT CURRENT (ISC)	18 A	WARRANTY	25 Years
STANDBY POWER	< 1 W		



POWER HOME SOLAR, LLC
"POWER YOUR FUTURE"
919 N. MAIN ST.
MOORESVILLE, NC 28115
Phone: 704-800-6591 (OFFICE)
Email: info@powerhome.com
Web: www.powerhome.com

REVISIONS

DESCRIPTION	DATE	REV

Signature with Seal

DATE: 3/19/2020

PROJECT NAME & ADDRESS

WILLIAMS
CHRISTOPHER J
RESIDENCE
36 BRIARWOOD PL.,
SANFORD, NC 27332

SHEET NAME
EQUIPMENT
SPECIFICATION

SHEET SIZE

ANSI B
11" X 17"

SHEET NUMBER

PV-10

GENERAC

Generac Power Systems, Inc.
S45 W29290 Hwy. 59, Waukesha, WI 53189
www.Generac.com 1-888-GENERAC (1-888-436-3722)

GENERAC

Generac Power Systems, Inc.
S45 W29290 Hwy. 59, Waukesha, WI 53189
www.Generac.com 1-888-GENERAC (1-888-436-3722)

Specifications subject to change without notice.



QRail™ — Fully Integrated Mounting and Racking System

The QRail Series is a strong and versatile solar array mounting system that provides unrivaled benefits to solar designers and installers. Combined with Quick Mount PV's industry-leading waterproof mounts, QRail offers a complete racking solution for mounting solar modules on any roof.



Easily design array configurations with the QDesign software application. Generate complete engineering reports and calculate a precise bill of materials for all the mounting, racking and accessories needed for a complete solar array.

Comprehensive, One-Source Solution

QRail, together with Quick Mount PV's waterproof mounting products, provides the benefit of a single-sourced, seamlessly integrated rooftop installation that works with all roof types — composition/asphalt shingles, flat or curved tile, metal shingle, shake, slate and low slope roofs. The QRail system also works with any roof attachment system for maximum flexibility.

Superior Strength and Versatility

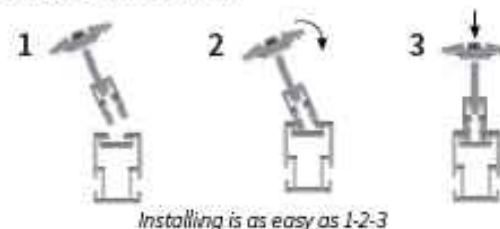
QRail is engineered for optimal structural performance. The system is certified to UL 2703, fully code compliant and backed by a 25-year warranty. QRail is available in Light, Standard and Heavy versions to match all geographic locations. QRail is compatible with virtually all modules and works on a wide range of pitched roof surfaces. Modules can be mounted in portrait or landscape orientation in standard or shared-rail configurations.



Fast, Simple Installation: It Just Clicks

QClick Technology™

The universal mid and end clamps use QClick technology to simply "click" into the rail channel and remain upright, ready to accept the module. The pre-assembled clamps fit virtually all module frames and require no extra hardware, eliminating pre-loading and reducing installation time.



Installing is as easy as 1-2-3



UNIVERSAL END CLAMP
2 clamps for modules from 30-45mm or 38-50mm thick

UNIVERSAL BONDED MID CLAMP
2 clamps for modules from 30-45mm or 38-50mm thick

QSplice™ Technology

QRail's innovative internal QSplice installs in seconds, requiring no tools or screws. Simply insert QSplice into the rail and slide the other rail on to create a fully structural, bonded splice. An external splice is also available.



Installs in seconds — no tools or hardware required

Fully Integrated Electrical Bonding

The QRail system provides an integrated electrical bonding path, ensuring that all exposed metal parts and the solar module frames are electrically connected. All electrical bonds are created when the components are installed and tightened down.



POWER HOME SOLAR, LLC
"POWER YOUR FUTURE"
919 N. MAIN ST.
MOORESVILLE, NC 28115
Phone: 704-800-6591 (OFFICE)
Email: info@powerhome.com
Web: www.powerhome.com

REVISIONS

DESCRIPTION	DATE	REV

Signature with Seal

DATE: 3/19/2020

PROJECT NAME & ADDRESS

WILLIAMS
CHRISTOPHER J
RESIDENCE
36 BRIARWOOD PL.,
SANFORD, NC 27332

SHEET NAME

EQUIPMENT
SPECIFICATION

SHEET SIZE

ANSI B
11" X 17"

SHEET NUMBER

PV-11

QRail™ Configurations



Item Code	Part Number	Description	Finish
QMR-RL14 A 60	800	QRail Light, 14 ft., 60 Pack	Mill
QMR-RL17.3 A 60	801	QRail Light, 17.3 ft., 60 Pack	Mill
QMR-RL14 B 60	805	QRail Light, 14 ft., 60 Pack	Black
QMR-RL17.3 B 60	806	QRail Light, 17.3 ft., 60 Pack	Black
QMR-RS14 A 60	810	QRail Standard, 14 ft., 60 Pack	Mill
QMR-RS17.3 A 60	811	QRail Standard, 17.3 ft., 60 Pack	Mill
QMR-RS14 B 60	815	QRail Standard, 14 ft., 60 Pack	Black
QMR-RS17.3 B 60	816	QRail Standard, 17.3 ft., 60 Pack	Black
QMR-RH14 A 60	820	QRail Heavy, 14 ft., 60 Pack	Mill
QMR-RH17.3 A 60	821	QRail Heavy, 17.3 ft., 60 Pack	Mill
QMR-RH14 B 60	825	QRail Heavy, 14 ft., 60 Pack	Black
QMR-RH17.3 B 60	826	QRail Heavy, 17.3 ft., 60 Pack	Black

QSplice™ Internal Structural Splice



Item Code	Part Number	Description	Finish
QMR-ISL A 15	830	QSplice Internal, Light, 15 Pack	Mill
QMR-ISS A 15	831	QSplice Internal, Standard, 15 Pack	Mill
QMR-ISH A 15	832	QSplice Internal, Heavy, 15 Pack	Mill

QSplice™ External Structural Splice



Item Code	Part Number	Description	Finish
QMR-ESS A 15	834	QSplice External, Standard, 15 Pack	Mill
QMR-ESH A 15	835	QSplice External, Heavy, 15 Pack	Mill



POWER HOME SOLAR, LLC
 "POWER YOUR FUTURE"
 919 N. MAIN ST.
 MOORESVILLE, NC 28115
 Phone: 704-800-6591 (OFFICE)
 Email: info@powerhome.com
 Web: www.powerhome.com

REVISIONS

DESCRIPTION	DATE	REV

Signature with Seal

DATE: 3/19/2020

PROJECT NAME & ADDRESS

WILLIAMS
 CHRISTOPHER J
 RESIDENCE
 36 BRIARWOOD PL.,
 SANFORD, NC 27332

SHEET NAME
**EQUIPMENT
 SPECIFICATION**

SHEET SIZE
**ANSI B
 11" X 17"**

SHEET NUMBER
PV-11A

Universal End Clamp with QClick™ Technology



Black

Mill

Item Code	Part Number	Description	Finish
QMR-UEC3045 A 20	860	Universal End Clamp, 30-45mm, 20 Pack	Mill
QMR-UEC3850 A 20	861	Universal End Clamp, 38-50mm, 20 Pack	Mill
QMR-UEC3045 B 20	865	Universal End Clamp, 30-45mm, 20 Pack	Black
QMR-UEC3850 B 20	866	Universal End Clamp, 38-50mm, 20 Pack	Black
QMR-UEC3045BP A 20	862	Universal End Clamp, 30-45mm, w/ Bonding, 20 Pack	Mill
QMR-UEC3850BP A 20	863	Universal End Clamp, 38-50mm, w/ Bonding, 20 Pack	Mill
QMR-UEC3045BP B 20	867	Universal End Clamp, 30-45mm, w/ Bonding, 20 Pack	Black
QMR-UEC3850BP B 20	868	Universal End Clamp, 38-50mm, w/ Bonding, 20 Pack	Black

Mid Clamp with QClick™ Technology



Black

Mill

Item Code	Part Number	Description	Finish
QMR-UMC3045BP 1.2 A 20	872	Universal Mid Clamp, 30-45mm, w/ Bonding, 20 Pack	Mill
QMR-UMC3850BP 1.2 A 20	873	Universal Mid Clamp, 38-50mm, w/ Bonding, 20 Pack	Mill
QMR-UMC3045BP 1.2 B 20	877	Universal Mid Clamp, 30-45mm, w/ Bonding, 20 Pack	Black
QMR-UMC3850BP 1.2 B 20	878	Universal Mid Clamp, 38-50mm, w/ Bonding, 20 Pack	Black

Single-Slot L-Foot



Item Code	Part Number	Description	Finish
QMC-LF A 12	692	Single-slot L-foot, 12 Pack	Mill
QMC-LF B 12	693	Single-slot L-foot, 12 Pack	Black

End Caps



Heavy

Standard

Light

Item Code	Part Number	Description	Finish
QMR-CPL B 50	885	End Cap Light, 50 Pack	Black
QMR-CPS B 50	886	End Cap Standard, 50 Pack	Black
QMR-CPH B 50	887	End Cap Heavy, 50 Pack	Black



POWER HOME SOLAR, LLC
 "POWER YOUR FUTURE"
 919 N. MAIN ST.
 MOORESVILLE, NC 28115
 Phone: 704-800-6591 (OFFICE)
 Email: info@powerhome.com
 Web: www.powerhome.com

REVISIONS

DESCRIPTION	DATE	REV

Signature with Seal

DATE: 3/19/2020

PROJECT NAME & ADDRESS

WILLIAMS
 CHRISTOPHER J
 RESIDENCE
 36 BRIARWOOD PL.,
 SANFORD, NC 27332

SHEET NAME

EQUIPMENT
 SPECIFICATION

SHEET SIZE

ANSI B
 11" X 17"

SHEET NUMBER

PV-11B

T-Bolt



Item Code	Part Number	Description	Finish
QMR-TB A 300	880	T-Bolt w/ Nut, 300 Pack	stainless steel

Grounding Lug



Item Code	Part Number	Description	Finish
QMR-GL A 50	890	WEEB Lug w/ T-Bolt, 50 Pack	n/a

Wire Clip



Works with both PV and Trunk Cabling

Item Code	Part Number	Description	Finish
QMR-WCA 300	892	Trunk/PV Cable, 300 Pack	stainless steel

WEEB BMC



Item Code	Part Number	Description	Finish
QMR-ECWA 50	891	WEEB BMC, 50 Pack	stainless steel



POWER HOME SOLAR, LLC
 "POWER YOUR FUTURE"
 919 N. MAIN ST.
 MOORESVILLE, NC 28115
 Phone: 704-800-6591 (OFFICE)
 Email: info@powerhome.com
 Web: www.powerhome.com

REVISIONS

DESCRIPTION	DATE	REV

Signature with Seal

DATE: 3/19/2020

PROJECT NAME & ADDRESS

WILLIAMS
 CHRISTOPHER J
 RESIDENCE
 36 BRIARWOOD PL.,
 SANFORD, NC 27332

SHEET NAME

EQUIPMENT
 SPECIFICATION

SHEET SIZE

ANSI B
 11" X 17"

SHEET NUMBER

PV-11C

L-Mount | QMLM / QMLM-ST

Elevated Water Seal Technology®

ITEM NO.	DESCRIPTION	QTY.
1	FLASHING, ROUNDED CORNERS, 9" X 12" X .040", .438" HOLE, 5052, MILL	1
2	L-FOOT, 2" X 3.30" FOR .438" O.D. FASTENER, 2-1/16" SLOT, 6061-T6/6005A-T61, MILL	1
3	WASHER, SEALING, 5/16" ID X 3/4" OD, EPDM BONDED SS	1
4	LAG SCREW, HEX HEAD, 5/16" x 4", 18-8 SS	1
*5	STRUCTURAL SCREW, GMPV, T-30 HEX WASHER HEAD, 5/16" X 4-1/2", 18-855	1

THIS EDGE TOWARDS ROOF RIDGE

12.00

9.00

4.50

3.00 (4.20)

2.00

1.00

2.09

3.30

Ø .408

0.40

(2.50)

(3.54)

QMLM

QMLM-ST

2.75

4.04

4

3

2

1

*5

* STRUCTURAL SCREW AVAILABLE ON QMLM-ST VERSIONS ONLY

AVAILABLE IN MILL AND BLACK FINISHES

Quick Mount PV®

TITLE: QMLM & QMLM-ST: L-MOUNT, 2-1/16" SLOT

UNLESS OTHERWISE SPECIFIED: DIMENSIONS ARE IN INCHES TOLERANCES: FRACTIONAL ± 1/16 TWO PLACE DECIMAL ± .01 THREE PLACE DECIMAL ± .004

SIZE: A DRAWN BY: AAP DATE: 4/4/2019 REV: 11

SCALE: 1/4" WEIGHT: 0.7566 SHEET 1 OF 1

PROPERTY AND COPYRIGHT: THE INFORMATION CONTAINED IN THIS DRAWING IS THE SOLE PROPERTY OF QUICK MOUNT PV. ANY REPRODUCTION IN PART OR AS A WHOLE WITHOUT THE WRITTEN PERMISSION OF QUICK MOUNT PV IS PROHIBITED. COPYRIGHT © 2019 QUICK MOUNT PV

DO NOT SCALE DRAWING

L-Mount Installation Instructions

Installation Tools Required: tape measure, roofing bar, chalk line, stud finder, caulking gun, sealant compatible with roofing materials, drill with 7/32" or 1/8" bit, drill or impact gun with 1/2" socket.

WARNING: Quick Mount PV products are NOT designed for and should NOT be used to anchor fall protection equipment.



1 Locate, choose, and mark centers of rafters to be mounted. Select the courses of shingles where mounts will be placed.



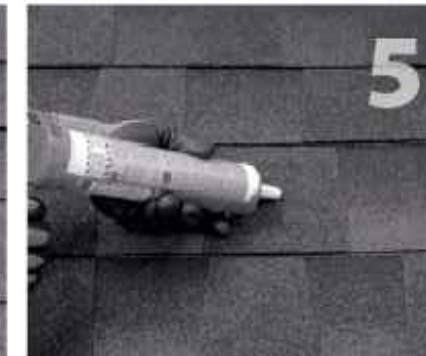
2 Carefully lift composition roof shingle with roofing bar, just above placement of mount. Remove nails as required and backfill holes with approved sealant. See "Proper Flashing Placement" on next page.



3 Insert flashing between 1st and 2nd course. Slide up so top edge of flashing is at least 3/4" higher than the butt-edge of the 3rd course and lower flashing edge is above the butt-edge of 1st course. Mark center for drilling.



4 If attaching with lag bolt use a 7/32" bit (Lag). Use a 1/8" bit (ST) for attaching with the structural screw. Drill pilot hole into roof and rafter, taking care to drill square to the roof. Do not use mount as a drill guide. Drill a 2" deep hole into rafter.



5 Clean off any sawdust, and fill hole with sealant compatible with roofing materials.



6 Place L-foot onto elevated flute and rotate L-foot to desired orientation.



7 Prepare lag bolt or structural screw with sealing washer. Using a 1/2-inch socket on an impact gun, drive prepared lag bolt through L-foot until L-foot can no longer easily rotate. **DO NOT over-torque.** NOTE: Structural screw can be driven with T-30 hex head bit. BI 7.2.3-44



8 You are now ready for the rack of your choice. Follow all the directions of the rack manufacturer as well as the module manufacturer. NOTE: Make sure top of L-Foot makes solid contact with racking.

All roofing manufacturers' written instructions must also be followed by anyone modifying a roof system. Consult the roof manufacturer's specs and instructions prior to working on the roof.



REVISIONS		
DESCRIPTION	DATE	REV

Signature with Seal

DATE: 3/19/2020

PROJECT NAME & ADDRESS

WILLIAMS
CHRISTOPHER J
RESIDENCE
36 BRIARWOOD PL.,
SANFORD, NC 27332

SHEET NAME
EQUIPMENT
SPECIFICATION

SHEET SIZE
ANSI B
11" X 17"

SHEET NUMBER
PV-12