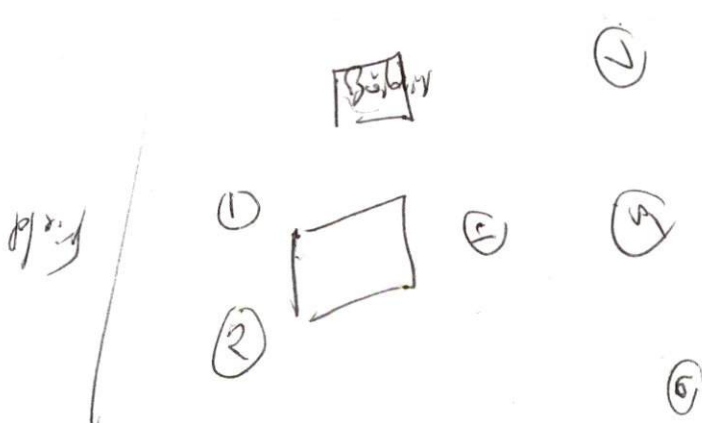
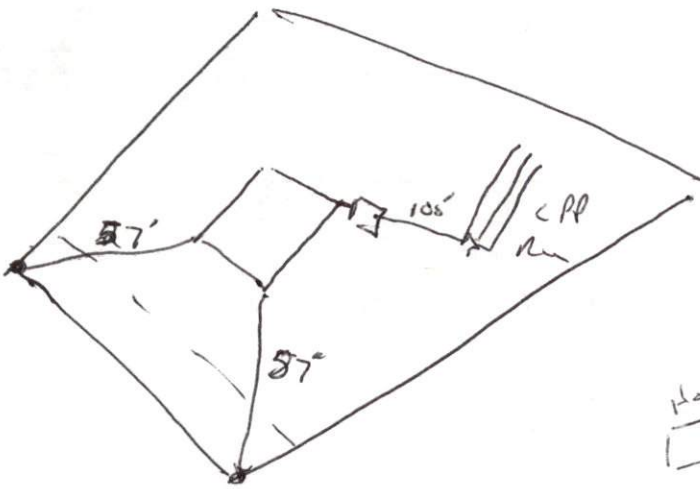


APPLICANT NAME _____

DATE _____

FACTORS		PROF													
		1	2	3	4	5	6	7	8	9	10				
LANDSCAPE POSITION	.1940														
SLOPE (%)	.1940														
HORIZON 1 DEPTH		0-16	0-12	0-12	0-10	0-36	0-8	0-10	0-28						
Texture Group	.1941(A)(1)	LS	SL	S	SL	SL	LS	LS	SL						
Consistence	.1941	VFr	VFr	VFr	VFr	VFr	VFr	VFr	VFr						
Structure	.1941(A)(2)	C	C	G	G	G	G	G	G						
Mineralogy	.1941(A)(3)	WPKA	WPKA	WPKA	WPKA	WPKA	WPKA	WPKA	WPKA						
HORIZON 2 DEPTH		16-36	12-36	12-30	16-30		8-24	10-30							
Texture Group	.1941(A)(1)	SL	C	C	C		C	C							
Consistence	.1941	F	F	F	F		F	F							
Structure	.1941(A)(2)	SPK	SPK	SPK	SPK		SPK	SPK							
Mineralogy	.1941(A)(3)	SPK	SPK	SPK	SPK		SPK	SPK							
HORIZON 3 DEPTH															
Texture Group	.1941(A)(1)														
Consistence	.1941														
Structure	.1941(A)(2)														
Mineralogy	.1941(A)(3)														
HORIZON 4 DEPTH															
Texture Group	.1941(A)(1)														
Consistence	.1941														
Structure	.1941(A)(2)														
Mineralogy	.1941(A)(3)														
SOIL WETNESS	.1942														
RESTRICTIVE HORIZON	.1944		24"		28"		24"							Rock 28"	
SAPROLITE	.1943/.1956														
CLASSIFICATION	.1948	PS	PS	PS	PS	S			PS						
LONG TERM ACCEPTANCE RATE	.1955	.3	.3	.3	.3	.8			.3						





Hase

Good line

IXFO
 222222

②

①

① 0-24
 25
 24-36
 5

② 0-30
 35
 30-40
 5
 8