

SANITARY SEWAGE SYSTEM

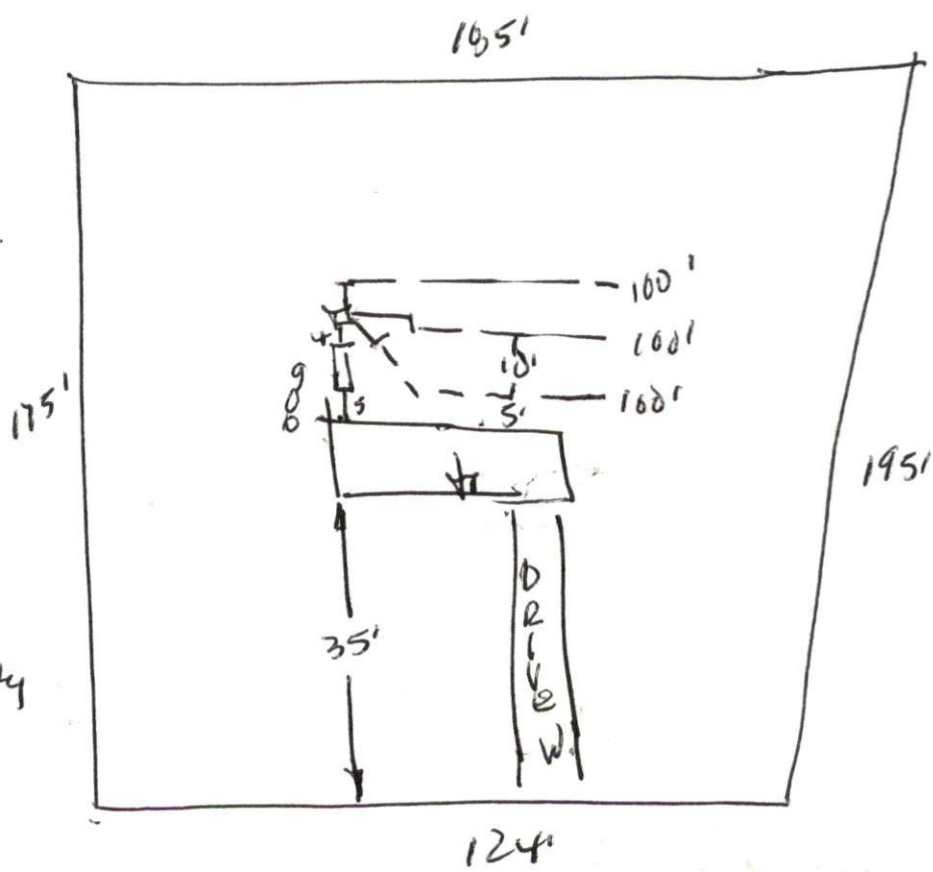
OWNER: Home Investments Inc PHONE: 449-5412 DATE REQUESTED: 12-6-93 DATE EVALUATED: 1-10-94
 ADDRESS: Rt 2 Box 272-B Cameron PROPERTY IDENTIFICATION NO.: _____
 COUNTY: HARWITT PROPERTY SIZE: _____ PROPOSED FACILITY: 3 BOROUM
 LOCATION OF SITE: MIRE BRANCH ESTATE LOT 105
 WATER SUPPLY: On-Site Well _____ Community _____ Public X EVALUATION BY: Auger Boring lll PR _____ Cut _____

| LANDSCAPE POSITION | Group | TEXTURE | App. Rate | LEGEND | | |
|--------------------|-------|------------------------|-----------|-----------------------|------------------|-------------------------|
| | | | | MOIST | WET | STRUCTURE |
| R - Ridge | I | s - sand | 1.2-0.8 | vfr - very friable | Ns - non-sticky | sg - single grain |
| S - Shoulder slope | | ls - loamy sand | | fr - friable | | m - massive |
| L - Linear slope | II | sl - sandy loam | 0.8-0.6 | f - firm | S - sticky | cr - crumb |
| FS - Foot slope | | l - loam | | vfr - very firm | | gr - granular |
| N - Nose slope | III | sil - silt | 0.6-0.3 | eff - extremely firm | Vs - very sticky | sbk - subangular blocky |
| H - Head slope | | sll - silt loam | | Np - non-plastic | | abk - angular blocky |
| Cc - Concave slope | | sicl - silty clay loam | | Sp - slightly plastic | | pl - platy |
| Cv - Convex slope | | cl - clay loam | | P - plastic | | pr - prismatic |
| T - Terrace | IV | scl - sandy clay loam | 0.4-0.1 | | | |
| FP - Flood Plain | | sc - sandy clay | | | | |
| | | slc - silty clay | | | | |
| | | c - clay | | | | |

Use the above standard abbreviations.

NOTES:
 Horizon Depth - in inches
 Depth of Fill - in inches from land surface
 Restrictive Horizon - thickness and inches from land surface
 Saprolite - S (suitable) or U (unsuitable)
 DHS 2601 (Revised _____)
 Sanitation Branch (Review _____)

NOTES:
 Soil Wetness - inches from land surface to free water or inches from land surface to soil colors with chroma 2 or less - record Munsell color chip designation
 Classification - S (suitable), PS (provisionally suitable) or U (unsuitable)
 Long-Term Acceptance Rate - gal/day/ft²



CALCULATIONS

$$3(120) = 360 \text{ gal/Day}$$

$$\frac{360}{.4} = 900 \text{ ft}^2$$

$$\frac{900 \text{ ft}^2}{3 \text{ ft}} = 300 \text{ ft}$$

3 LINES 100ft
EAC

CLASSIFICATION: *Site based on other*

SITE LONG-TERM ACCEPTANCE RATE: *14*

OTHER(S) PRESENT:

| FACTORS | PROFILE 1 | PROFILE 2 | PROFILE 3 | PROFILE 4 | PROFILE 5 |
|-----------------|-----------|-----------|-----------|-----------|-----------|
| ESCAPE POSITION | | | | | |
| PE (%) | | | | | |
| ZON I DEPTH | | | | | |
| ure Group | | | | | |
| istance | | | | | |
| ucture | | | | | |
| erology | | | | | |
| ZON II DEPTH | | | | | |
| ure Group | | | | | |
| istance | | | | | |
| ucture | | | | | |
| erology | | | | | |
| ZON III DEPTH | | | | | |
| ure Group | | | | | |
| istance | | | | | |
| ucture | | | | | |
| erology | | | | | |
| ZON IV DEPTH | | | | | |
| ure Group | | | | | |
| istance | | | | | |
| ucture | | | | | |
| erology | | | | | |
| ROUTE | | | | | |
| CLASSIFICATION | | | | | |
| IG-TERM | | | | | |
| ESCAPE RATE | | | | | |

| FACTORS | PROFILE 1 | PROFILE 2 | PROFILE 3 | PROFILE 4 | PROFILE 5 |
|-----------------|-----------|-----------|-----------|-----------|-----------|
| ESCAPE POSITION | L | L | L | L | L |
| PE (%) | 0-4" | 0-2" | 0-2" | 0-2" | 0-2" |
| ure Group | Top soil | Top soil | Top soil | Top soil | Top soil |
| istance | - | - | - | - | - |
| ucture | - | - | - | - | - |
| erology | - | - | - | - | - |
| ZON II DEPTH | 4"-12" | 2"-20" | 2"-14" | 2"-14" | 2"-14" |
| ure Group | LS | LS | LS | LS | LS |
| istance | EV | EV | EV | EV | EV |
| ucture | EV | EV | EV | EV | EV |
| erology | 1:1 | 1:1 | 1:1 | 1:1 | 1:1 |
| ZON III DEPTH | 12"-36" | 20"-36" | 14"-22" | 14"-22" | 14"-22" |
| ure Group | GL | GL | C | C | C |
| istance | E1 | E1 | E1 | E1 | E1 |
| ucture | Spk | Spk | Spk | Spk | Spk |
| erology | 1:1 | 1:1 | 1:1 | 1:1 | 1:1 |
| ZON IV DEPTH | 36"-48" | 36"-48" | 22"-48" | 22"-48" | 22"-48" |
| ure Group | SL | SL | SL | SL | SL |
| istance | EV | EV | EV | EV | EV |
| ucture | EV | EV | EV | EV | EV |
| erology | 1:1 | 1:1 | 1:1 | 1:1 | 1:1 |
| CLASSIFICATION | 5 | 5 | 5 | 5 | 5 |
| IG-TERM | 5 | 6 | 5 | 5 | 5 |
| ESCAPE RATE | | | | | |