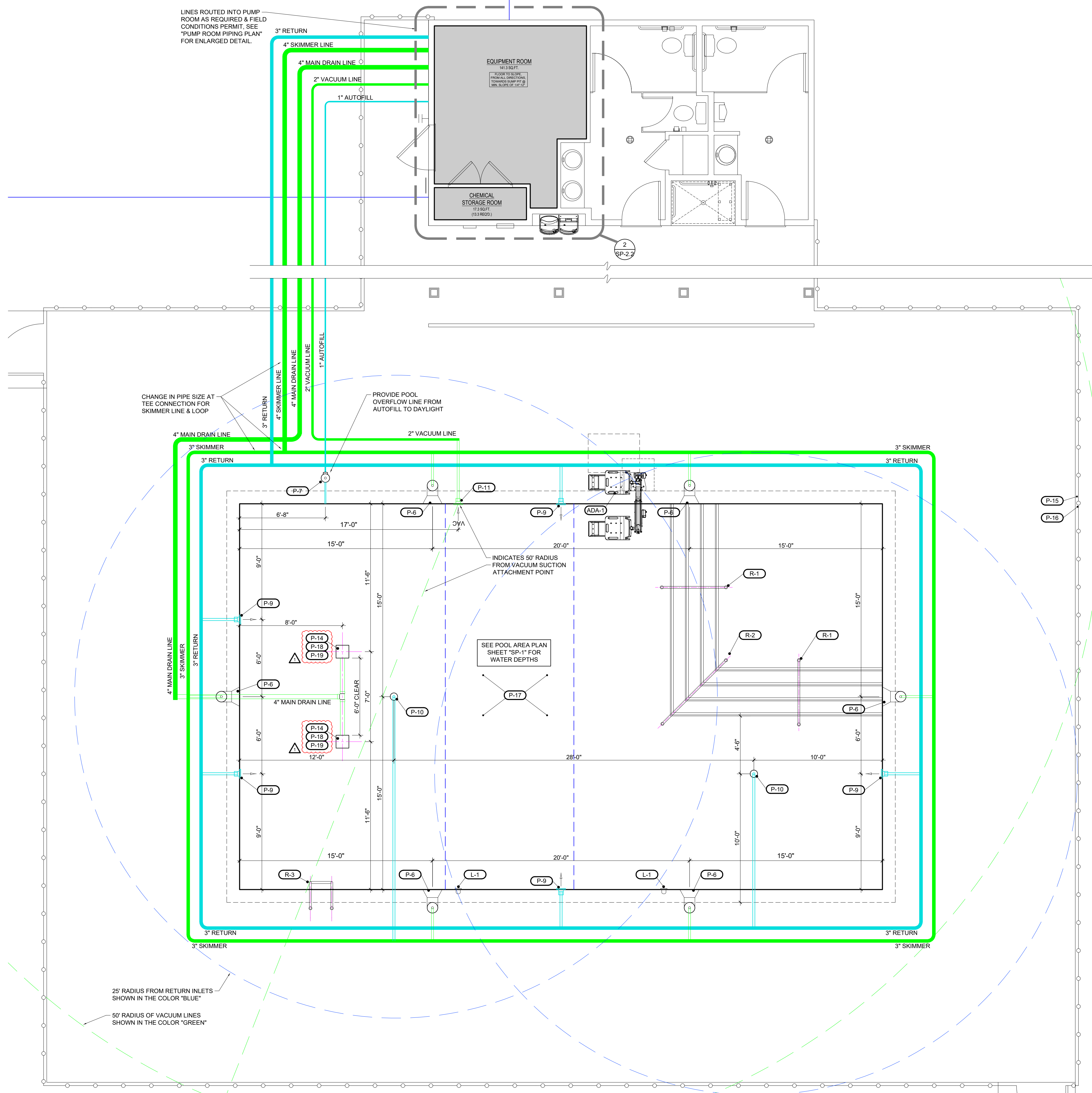


LINES ROUTED INTO PUMP ROOM AS REQUIRED & FIELD CONDITIONS PERMIT. SEE "PUMP ROOM PIPING PLAN" FOR ENLARGED DETAIL.



CHANGE IN PIPE SIZE AT TEE CONNECTION FOR SKIMMER LINE & LOOP

PROVIDE POOL OVERFLOW LINE FROM AUTOFILL TO DAYLIGHT

INDICATES 50' RADIUS FROM VACUUM SUCTION ATTACHMENT POINT

SEE POOL AREA PLAN SHEET "SP-1" FOR WATER DEPTHS

25' RADIUS FROM RETURN INLETS SHOWN IN THE COLOR "BLUE"

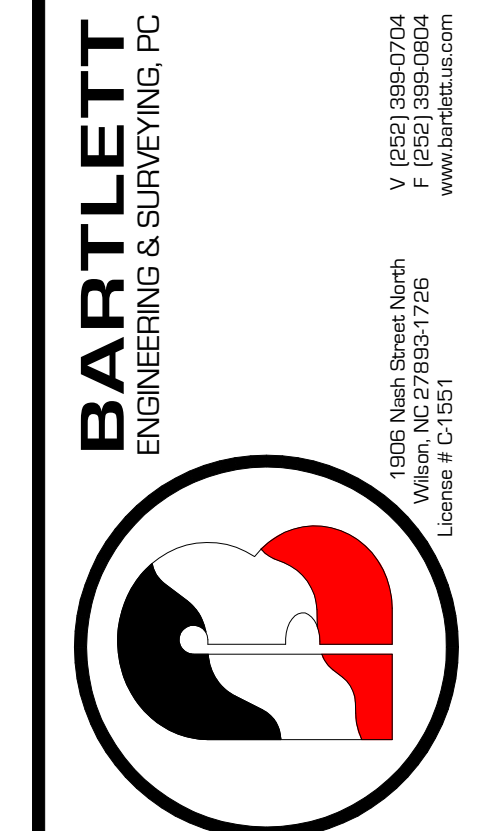
50' RADIUS OF VACUUM LINES SHOWN IN THE COLOR "GREEN"

PLUMBING ARRANGEMENT SHOWN IS DIAGRAMMATIC. GENERAL CONTRACTOR IS ALLOWED TO ADJUST ARRANGEMENT DURING INSTALLATION AS FIELD CONDITIONS REQUIRE. WITH THE EXCEPTION OF INCREASING THE LINEAL FOOTAGE OF PIPING RUNS AND/OR NUMBER OF ELBOWS & TEES HIGHER THAN 10% OF WHAT IS SHOWN. CONTACT DESIGNER IMMEDIATELY WITH DISCREPANCIES.

MARK	DESCRIPTION	MANUFACTURER	MODEL
P-1	MAIN POOL WATER PUMP - VARIABLE SPEED INTEGRATED TRAINER W/ 48V 240V	HAYWARD	TRISTAR VS 990 2.7 HP 230V 1PH
R-2	30" NOMINAL DIAMETER FIBERGLASS SAND FILTER, 141 GPM FLOW RATE, 7.2 FILTER AREA, 9000 SAND	HAYWARD	HCF236
P-3	CHLORINE BROMINE FEEDER, WITH FLOW INDICATOR, 10-1/4" DIA. X 40" HIGH	PENTAIR	300-20X
P-4	HORIZ. FLOW RATE INDICATOR, 45 - 240 GPM, SURFACE MOUNTED TO 3" SCH40 PVC RETURN LINE	BLUE WHITE	F-30300P
P-5	OMNILOGIC 4 RELAY BASE PANEL, SURFACE MOUNTED, 15.5" W X 21" H X 3"D	HAYWARD	HL4SE
P-6	SKIMMER W/ 2" X 1/2" 8" REDUCERS, EQUALIZER HOLES TO BE PLUGGED CLOSED	AQUASTAR	FLOSTAR SKR-101
P-7	AUTOFILL VALVE	POOLMUSER	PM-101
P-8	MULTI-PORT PREPLUMBED VALVE KIT FOR FILTERS 2" UNION CONNECTION, 125 GPM	HAYWARD	HCV275
P-9	EYEBALL BURHEAD, 2" X 1/2" SLIP BODY, WITH EYEBALL INLET FITTING, 1-1/2" MPT, 3/4" ORIFICE	Custom Moulded Products & PENTAIR	2524-200-000 & 540021
P-10	4" WHITE, ADJUSTABLE FLOOR RETURN	AQUASTAR	APL-25-1106
P-11	SAFETY VACUUM LOCK WALL FITTING FOR HOSE ATTACHMENT	AQUASTAR	APL-201-0001
P-12	711 SERIES BUTTERFLY VALVE KIT W/ GALV. BOLTS	LASCO	LAS-56-3149
P-13	BALL VALVE SCH 40 PVC (see plan for sizes req'd.)	CHARLOTTE PIPE	XXXXX
P-14	12x12x12 FIBERGLASS SUMP DRAIN W/ 4" PORT, WITH 18"x18" OUTLET COVER, ANTI-ENTRAPMENT	A.S.A. MFG. INC.	FPK-50-812-4 1218101
P-15	SAFETY LIFE HOOK & 12" LONG ALUMINUM POLE, LOCATED ON SITE WITHIN FENCED AREA OF POOL	PENTAIR	R221028 & R191108
P-16	Coast Guard Approved Life Ring & 60' Long Rope, LOCATED ON SITE WITHIN FENCED AREA OF POOL	POOLSTYLE MAINTENANCE	381 & 374
P-17	DIAMOND BRITE, EXPOSED AGGREGATE POOL FINISH, SLIP RESISTANT	SGM Inc. OR EQUAL	BLUE QUARTZ
P-18	2" HYDRO RELIEF VALVE	CUSTOM MOULDED PRODUCTS, INC.	25620-000-00
P-19	2" COLLECTOR TUBE	HAYWARD	HAY-25-1516
R-1	STAIR RAIL, 60" MARINE GRADE ADA 3-BEND STAINLESS STEEL, RATED FOR SALTWATER	S.R. SMITH	3HRSADA-MG
R-2	STAIR RAIL, 84" MARINE GRADE ADA 3-BEND STAINLESS STEEL, RATED FOR SALTWATER	S.R. SMITH	7HRADA-MG
R-3	POOL LADDER, 3 TREADS, STAINLESS STEEL, RATED FOR SALTWATER	S.R. SMITH	VLLS-103S-MG
ADA-3	POOL LIFT, 350 LB. CAPACITY, BATTERY OPERATED, ADA COMPLIANT	S.R. SMITH	ML-300
L-1	UNIVERSAL, COLOR LOGIC, 12V LED LIGHT, MOUNTED 4" MIN. BELOW WATER LINE	HAYWARD	LPUCS1110

ALL EQUIPMENT TO BE INSTALLED PER MANUFACTURERS SPECIFICATIONS.

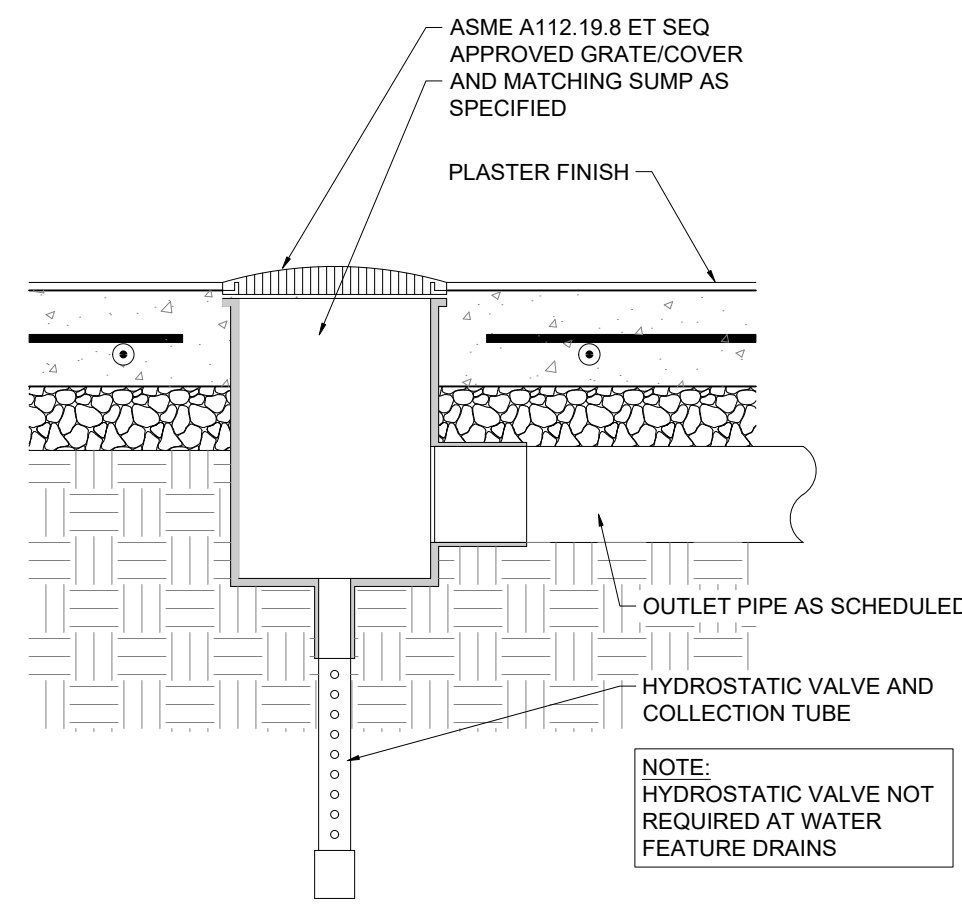
General Contractor:
Raleigh Pools, LLC
 Matthew Nuss, Project Manager
 mobile (919) 610-6558
 matthew.raleighpools@gmail.com
 1400 Smith Reno Road
 Raleigh, NC 27603



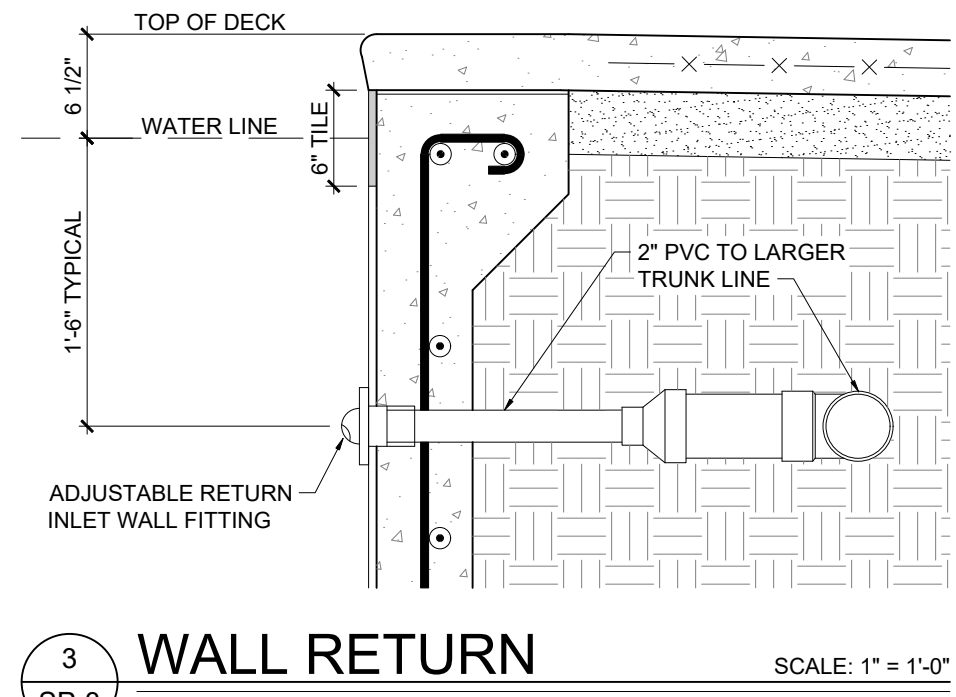
Rev.	Date:	Description:
4	4-9-2025	Revised per plan review comments.

Title Sheet:
POOL FIXTURES & PIPING PLAN
 Project:
 Swimming Pool
 Cape Overlook
 Ross Road Lillington, NC

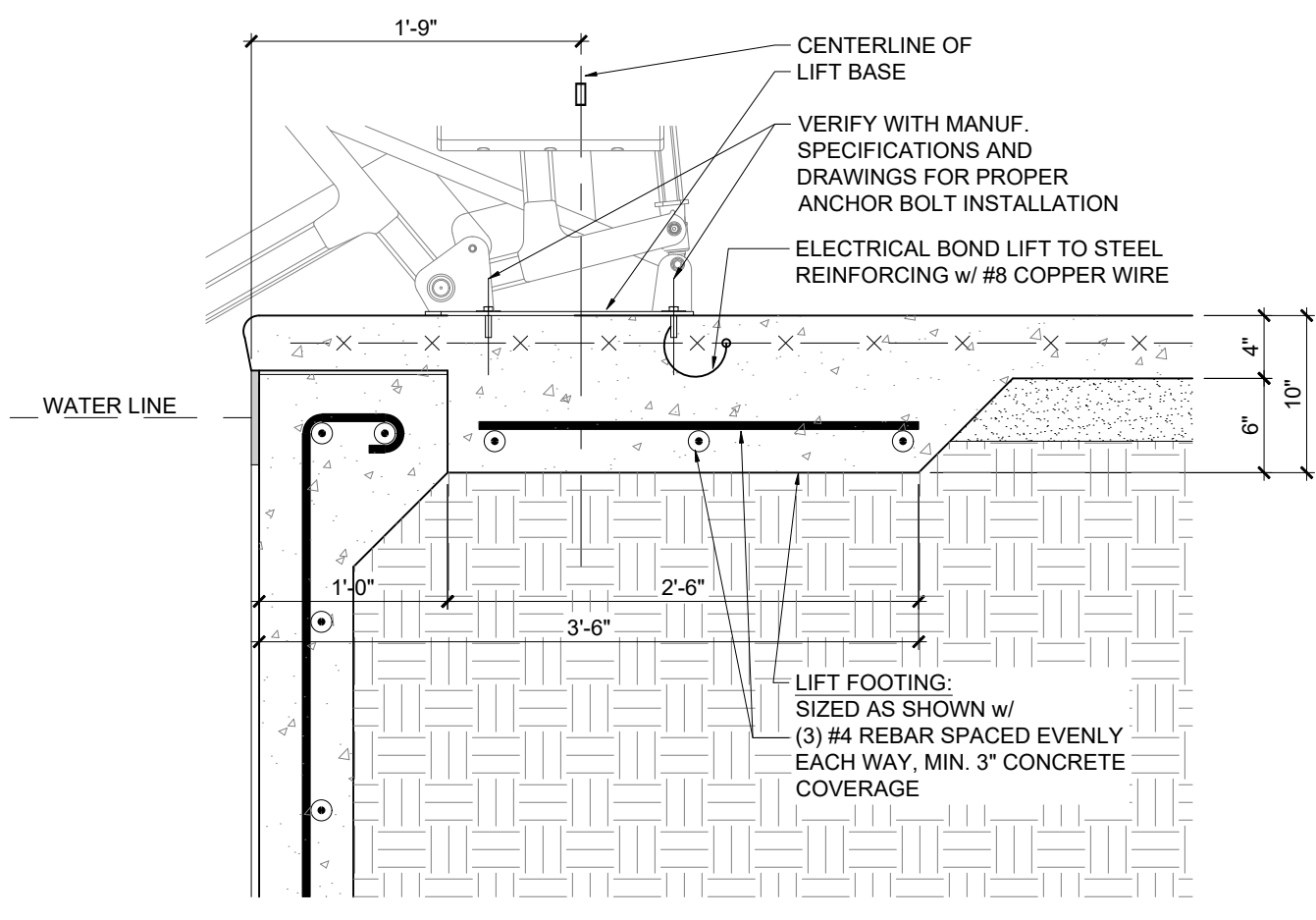
Drawn by: Mac Morgan
 Issue Date: 2-12-2025
 Project Number:
 Sheet:
SP-2.1



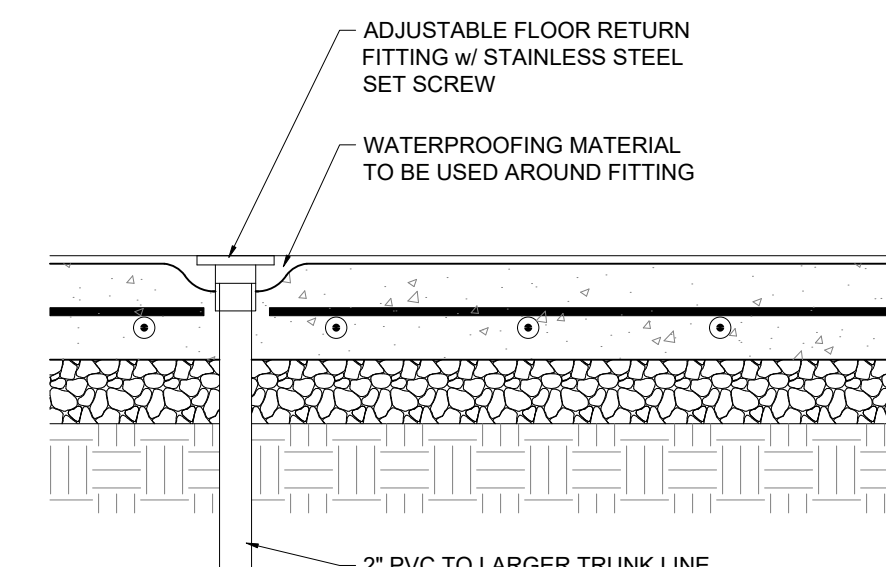
2 MAIN DRAIN SCALE: 1" = 1'-0"



3 WALL RETURN SCALE: 1" = 1'-0"

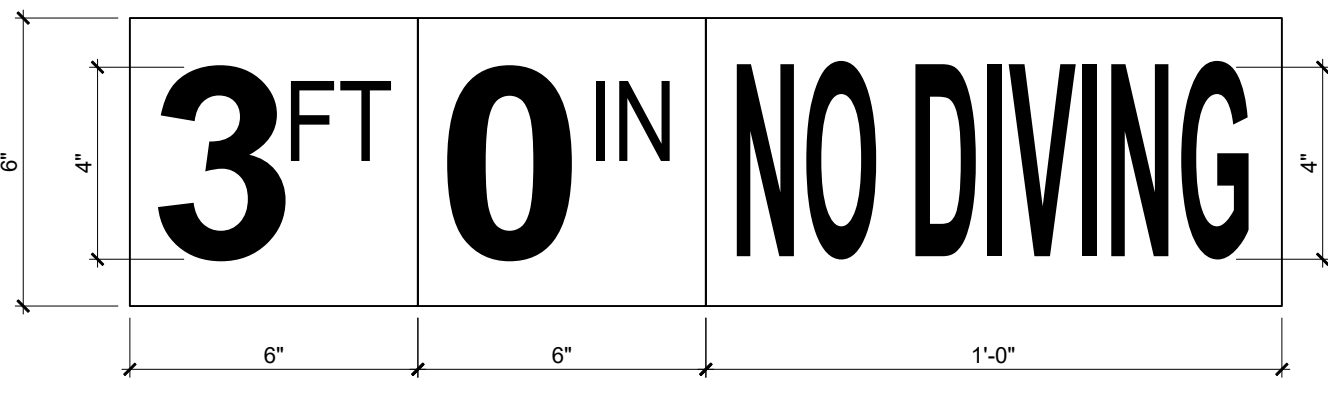


4 CHAIR LIFT FOOTING SCALE: 1" = 1'-0"

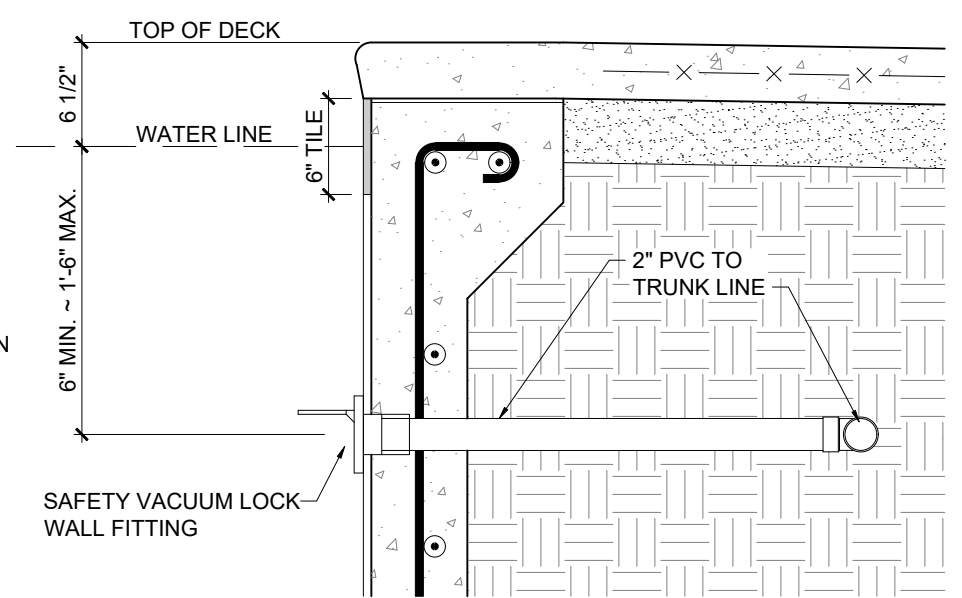


7 FLOOR RETURN SCALE: 1" = 1'-0"

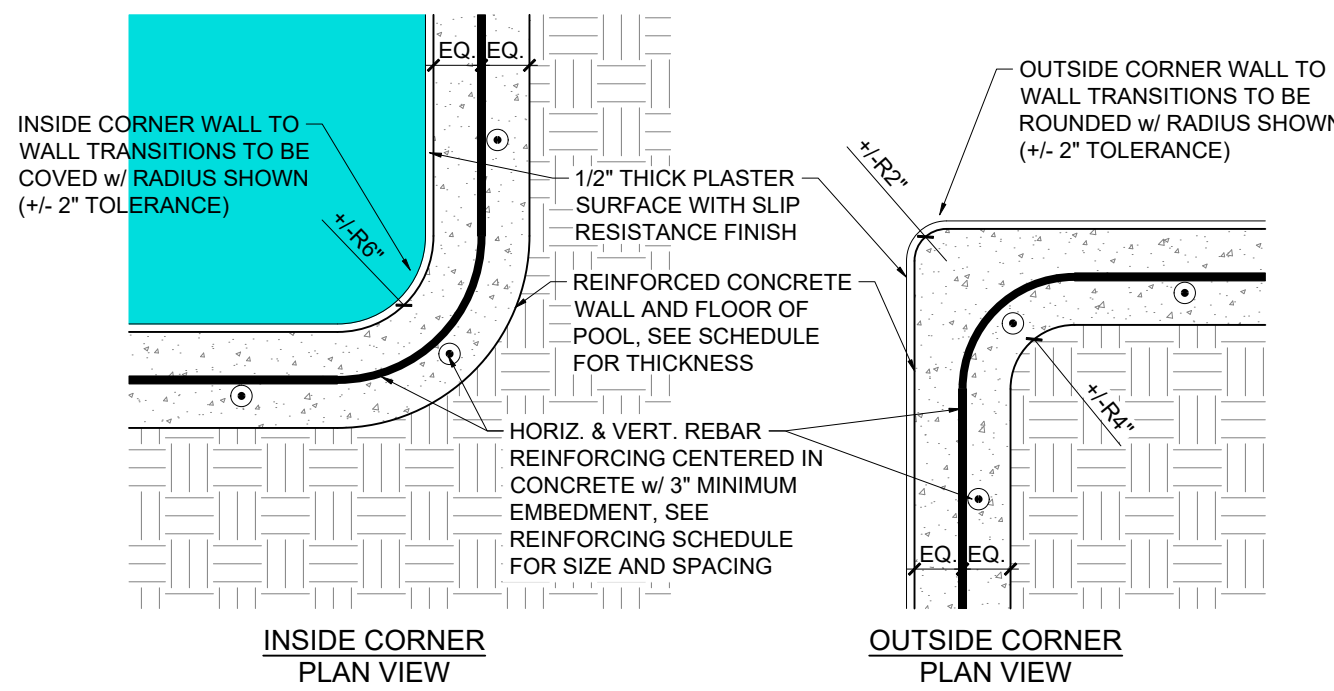
- NOTES:
- DECK DEPTH MARKERS TO BE 6"x6" NON-SKID CERAMIC W/ BLACK TEXT ON WHITE BACKGROUND
 - NO DIVING TILE TO BE NON-SKID 6"x12" WHITE TILE WITH 4" BLACK TEXT
 - WATERLINE DEPTH MARKERS TO BE LOCATED AT LOCATIONS CORRESPONDING TO ALL DECK DEPTH MARKERS
 - WATERLINE DEPTH MARKERS TO BE 6"x6" FROST PROOF CERAMIC TILES



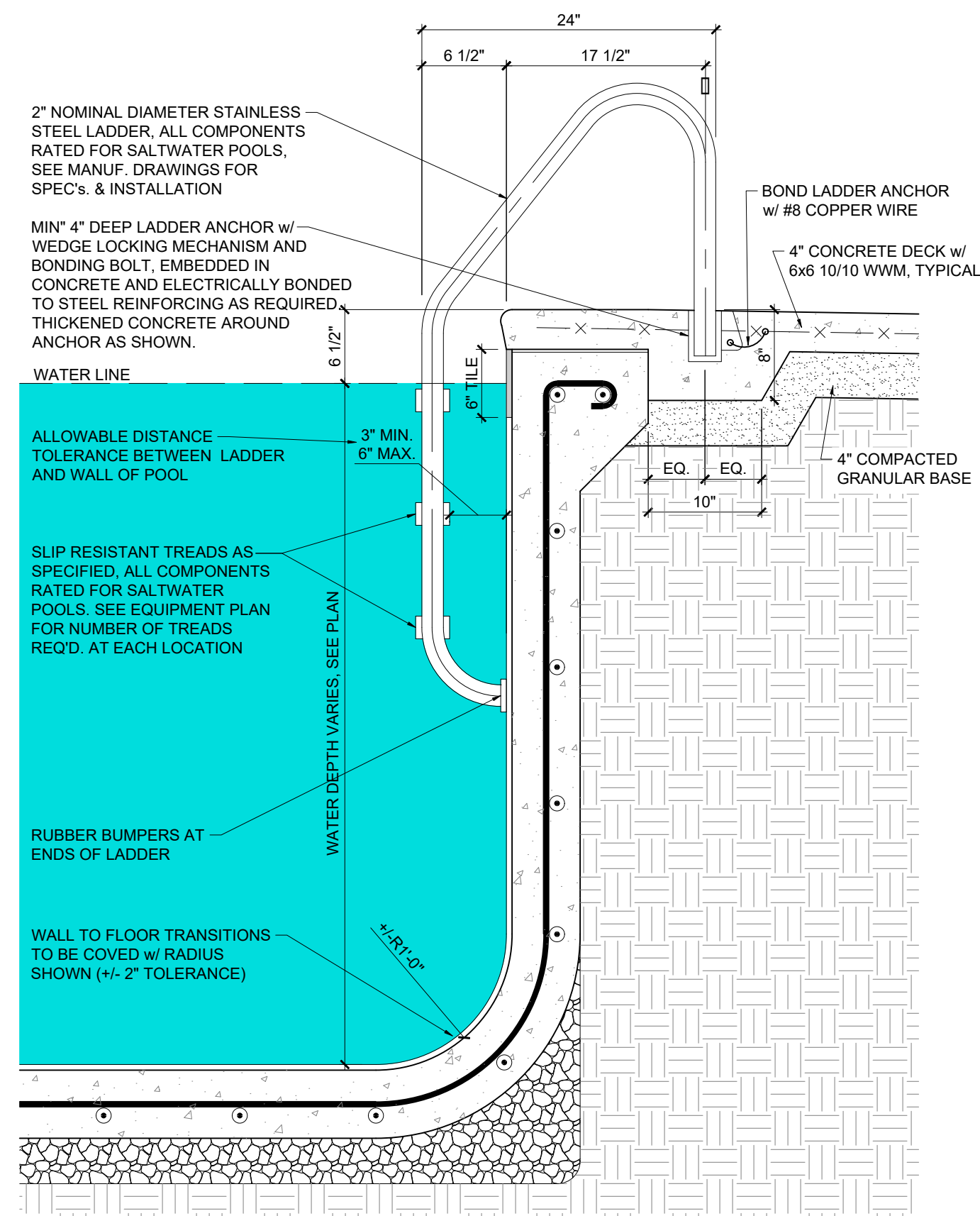
8 DEPTH & NO DIVING TILE SCALE: 3" = 1'-0"



6 VACUUM OUTLET SCALE: 1" = 1'-0"



5 POOL WALL-WALL TRANSITIONS SCALE: 1" = 1'-0"



9 LADDER DETAIL SCALE: 1" = 1'-0"

Multi-Skimmer Installation and Pipe Sizing

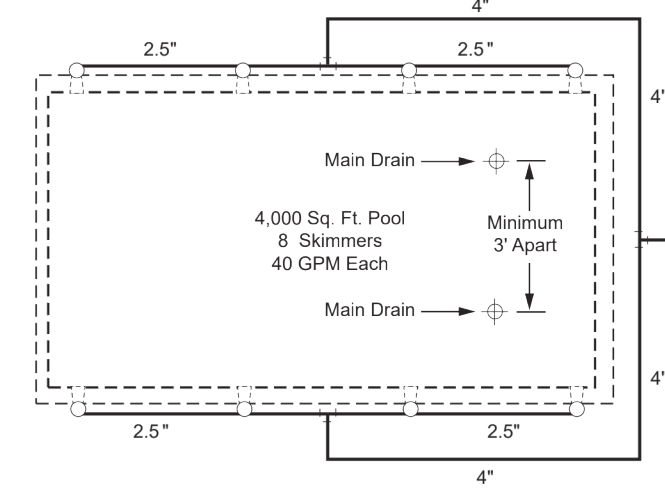
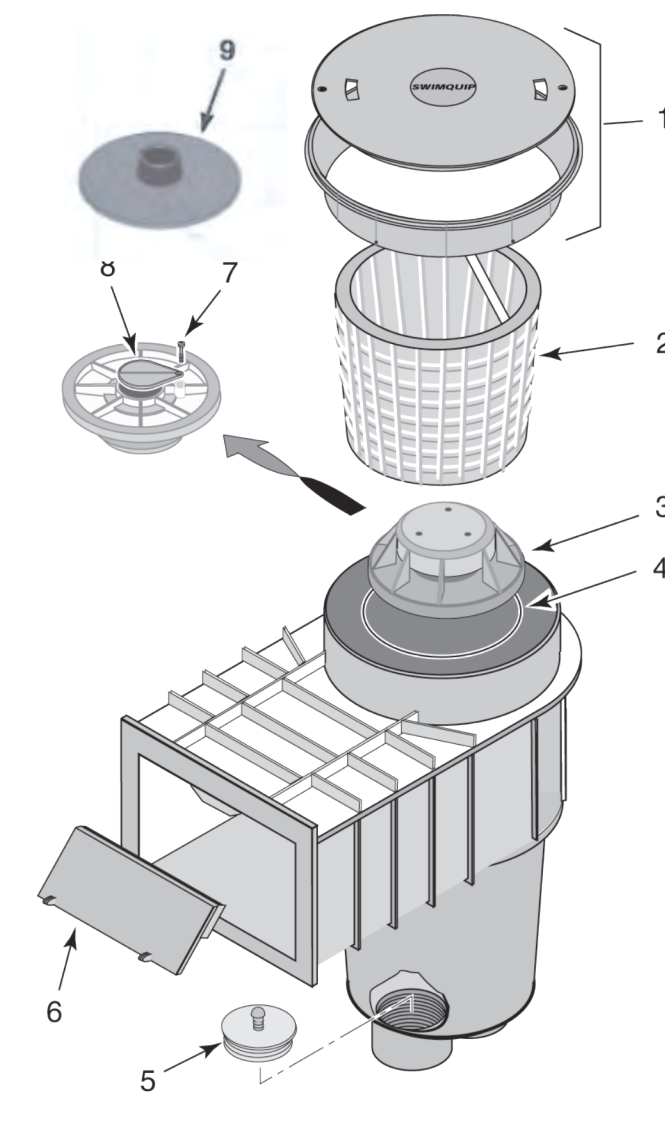


Figure 6: Multi-Skimmer Installation with pipe sizing. Note multiple main drains.

Pool Surface Area In Square Ft	No. of Skimmers Req.	Skimmer Rated Flow (GPM)				
		30	35	40	45	50
Up to 600	1	2"	2"	2"	2"	2"
1,000	2	2.5	2.5	2.5	2.5	3
1,500	3	3	3	3	4	4
2,000	4	4	4	4	4	4
2,500	5	4	4	4	4	5
3,000	6	4	4	5	5	5
3,500	7	4	5	5	5	5
4,000	8	5	5	5	6	6
4,500	9	5	5	6	6	6
5,000	10	5	5	6	6	6

Table 1: Suction Pipe Sizing by Surface Area of Pool and Rated flow Capacity of Skimmers.

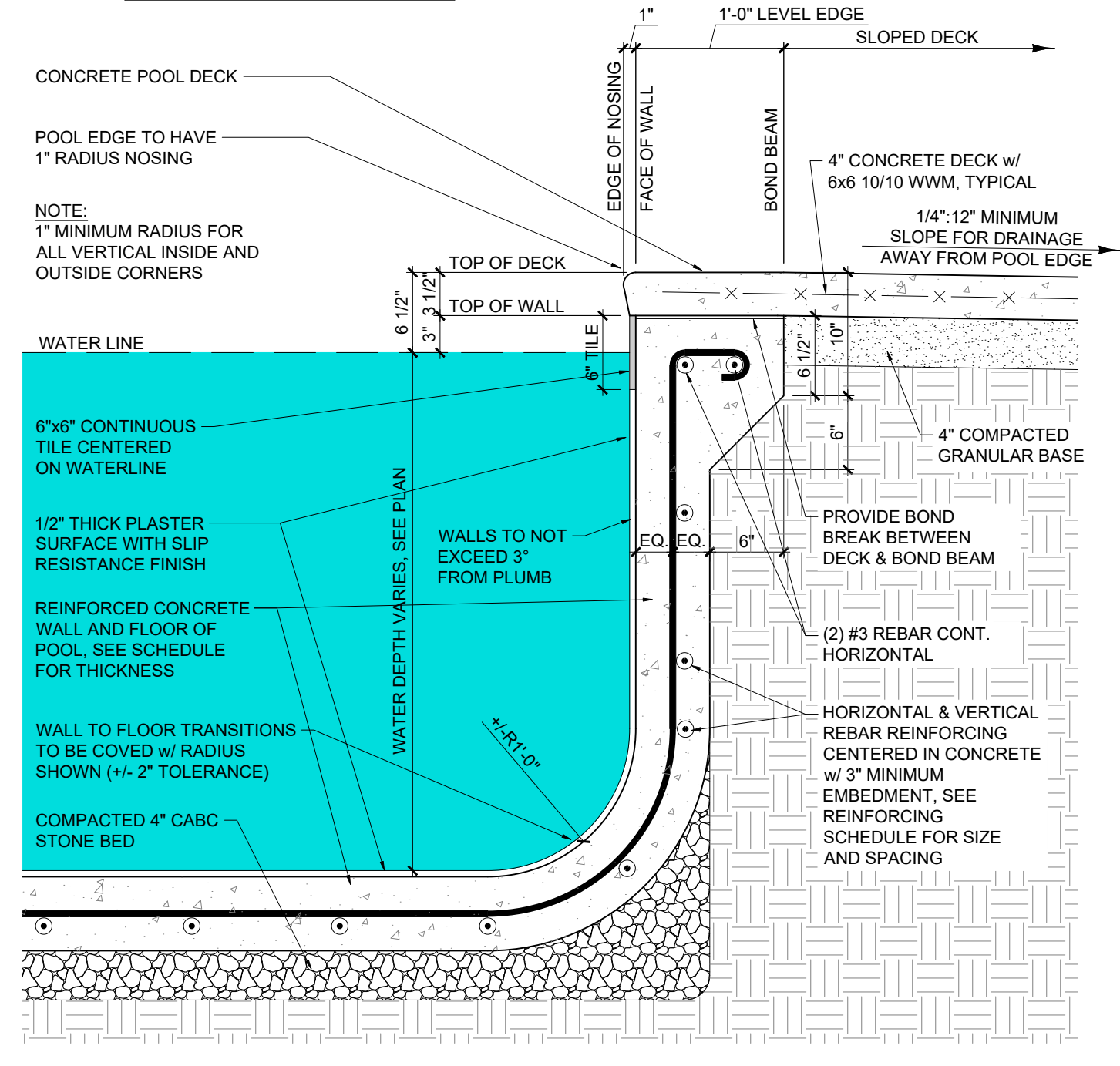
Parts List



Key No.	Part Description	Public Pool	Residential Pool
		U-3 Models	U-3 Models
1	White, w/2 x 1 1/2 NPT Reducers	08650-1403	08650-4403
1	White, w/2 x 1 1/2 Slip Reducers	08650-1404	08650-4404
1	Tan, w/2 x 1 1/2 NPT Reducers	08650-2403	08650-5403
1	Tan, w/2 x 1 1/2 Slip Reducers	08650-2404	08650-5404
1	Tan/Gray, w/2x1 1/2 NPT Reducers	08650-3403E	-
1	Tan/Gray, w/2x1 1/2 Slip Reducers	08650-3404E	-
1	Gray, w/2x1 1/2 NPT Reducers	08650-4403E	-
1	Gray, w/2x1 1/2 Slip Reducers	08650-4404	-
1	Frame and Grate Kit (Tan)	08650-0159	08650-0159
1	Frame and Grate Kit (White)	08650-0169	08650-0169
2	Basket and Handle	08650-0007	08650-0007
2	Basket Handle Only	08650-0067	08650-0067
3	Float Assembly w/O-Ring	08650-0079	-
3	Float O-Ring Only	35505-1273	-
4	Check Valve	08655-0017	-
5	Hinged Weir Assembly	08650-0022A	08650-0022A
6	Weir Bumper	08650-0018	08650-0018
6	Screw #8 x 3/8"	37207-0825	37207-0825
7	Screw #8 x 1/2"	37207-0027	-
8	Trimmer Plate	08650-0048	-
9	Vacuum Plate	08650-0042	-

10 SKIMMER NOT TO SCALE

ALL WALKING SURFACES OF POOL TO HAVE SLIP RESISTANT FINISH, DIAMOND BRITE POOL FINISH, BY SGM, Inc. SEE SPEC SHEET SP-7 DETAIL FOR "P-17" FOR MORE INFORMATION.



11 POOL WALL SECTION SCALE: 1" = 1'-0"

POOL REINFORCING SCHEDULE

POOL WATER DEPTH	≤ 4'-0"	≤ 6'-0"	≤ 7'-6"	≤ 9'-0"	≤ 10'-0"
WALLS					
REQ'D THICKNESS	7"	8"	9"	9"	9"
REBAR HORZ. & VERT.	#4's @ 9" O.C. EACH WAY	#4's @ 9" O.C. EACH WAY	#5's @ 9" O.C. EACH WAY	#6's @ 9" O.C. EACH WAY	#7's @ 9" O.C. EACH WAY
FLOORS					
REQ'D THICKNESS	7"	7"	7"	8"	8"
REBAR	#4's @ 9" O.C. EACH WAY	#4's @ 9" O.C. EACH WAY	#4's @ 9" O.C. EACH WAY	#4's @ 9" O.C. EACH WAY	#4's @ 9" O.C. EACH WAY

GENERAL STRUCTURAL NOTES:

- ALL CONSTRUCTION MATERIALS AND METHODS SHALL CONFORM TO THE STATEWIDE BUILDING CODE AND TO THE SPECIFICATIONS AND STANDARDS OF THE LOCAL BUILDING INSPECTIONS OFFICE.
- CONTRACTOR SHALL COORDINATE AND VERIFY ALL DIMENSIONS PRIOR TO BEGINNING WORK, WITH ANY DISCREPANCY BROUGHT TO THE ATTENTION OF THE DESIGNER.
- CONTRACTOR SHALL BE RESPONSIBLE FOR VERIFICATION OF SUBGRADE CONDITIONS.
- ASSUMED MINIMUM SOIL BEARING CAPACITY 2000 P.S.F.
- ALL "POOL WALKING DECK" CONCRETE TO BE NORMAL WEIGHT CONCRETE WITH 4000 P.S.I. MINIMUM @ 28 DAY STRENGTH.
- ALL "POOL SHELL" CONCRETE TO BE SHOTCRETE WITH 4000 P.S.I. MINIMUM @ 28 DAY STRENGTH, WITH NON-SLIP PLASTER FINISH COAT.
- WELDED WIRE FABRIC TO CONFORM TO ASTM A-185 MATERIAL AND HAVE 12" LAPS.
- ALL DECKS TO SLOPE AWAY FROM THE POOL AND TOWARDS METHOD OF DRAINAGE AT A SLOPE OF 1/4" TO 1/2" RISE PER 12" RUN

REINFORCING STEEL
REINFORCING BARS SHALL BE DEFORMED BILLET STEEL BARS CONFORMING TO ASTM A - 615 SPECIFICATIONS. MINIMUM YIELD STRENGTH (FY) REINFORCING BARS 40,000 PSI

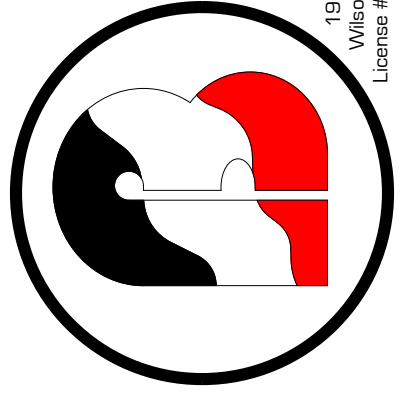
UNLESS OTHERWISE DETAILED, PROTECTIVE CONCRETE COVER FOR REINFORCING STEEL SHALL NOT BE LESS THAN:
(A) CONCRETE CAST AGAINST AND PERMANENTLY EXPOSED TO EARTH 3"
(B) CONCRETE EXPOSED TO EARTH OR WEATHER #5 & SMALLER 1-1/2"; #6 & LARGER 2"

MINIMUM TENSION LAP SPLICE LENGTHS (F' C = 3,000PSI)
#3 = 16"
#4 = 22"
#5 = 27"
#6 = 32"
#8 = 42"

ALL REINFORCING INTERSECTIONS TO BE JOINED WITH WIRE TIES.

General Contractor:
Raleigh Pools, LLC
Matthew Nuss, Project Manager
mobile (919) 610-6658
matthew.raleighpools@gmail.com
1400 Smith Reno Road
Raleigh, NC 27603

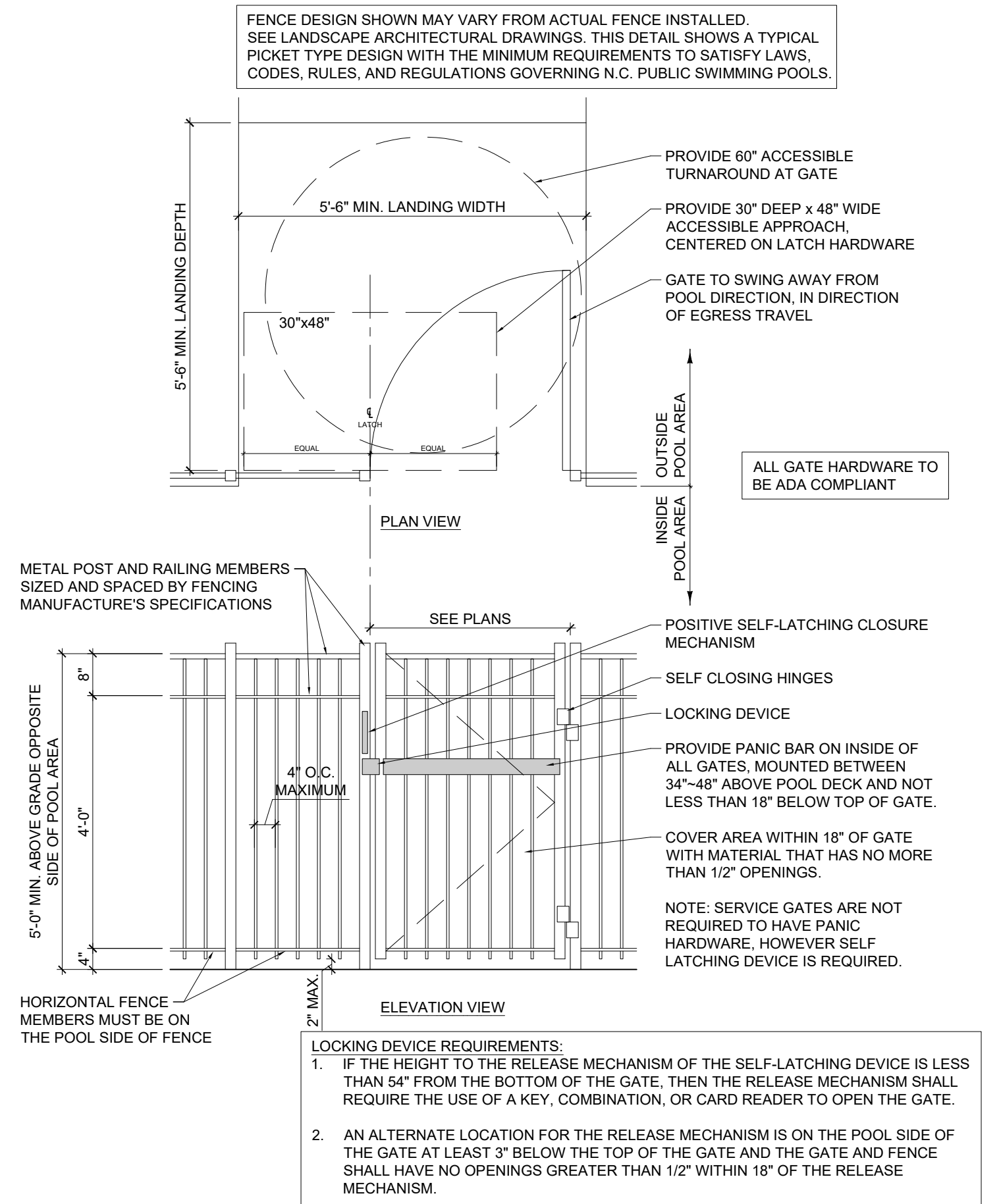
BARTLETT
ENGINEERING & SURVEYING, PC
1905 N. Hargett Street, Suite 200
Wilmington, NC 27601
V: (919) 399-0724
F: (919) 399-0904
www.bartlett.com



Rev	Date	Description
4	4/9/2025	Revised plans per final review comments.

Title Sheet:
DETAILS & SECTIONS
Swimming Pool
Cape Overlook
Ross Road Lillington, NC

Drawn by: Mac Morgan
Issue Date: 2-12-2025
Project Number:
Sheet: **SP-3**



3 DETAIL
SP-4 PERIMETER FENCE & GATE
SCALE: 1/2" = 1'-0"



4 SIGNAGE
SP-4 POSTED AS REQUIRED WHEN THERE IS NO LIFEGUARD IS ON DUTY. EXAMPLE SIGN, ACTUAL SIGN MAY VARY.



5 SIGNAGE
SP-4 EXAMPLE SIGN, ACTUAL SIGN MAY VARY.



6 SIGNAGE
SP-4 POSTED AS REQUIRED NEAR SHOWERS OR RESTROOM.

GENERAL PLUMBING NOTES:

1. WATER SUPPLY SERVING THE SWIMMING POOL AND ALL PLUMBING FIXTURES INCLUDING DRINKING FOUNTAINS, LAVATORIES, TOILETS, AND SHOWERS, IS AN APPROVED PUBLIC SYSTEM IN ACCORDANCE WITH 15A NCAC 18C BY PLUMBING CONTRACTOR.
2. THE WATER DISTRIBUTION SYSTEM SERVING THE SWIMMING POOL AND AUXILIARY FACILITIES WILL BE PROTECTED AGAINST BACKFLOW WATER INTRODUCED INTO THE POOL THROUGH A REDUCED PRESSURE PRINCIPLE BACKFLOW PREVENTER MODEL 009M3 QT (OR EQUAL)
3. SUPPLIED AND INSTALLED BY PLUMBING CONTRACTOR
4. SEWAGE WILL BE DISPOSED OF IN AN APPROVED PUBLIC SEWER SYSTEM BY PLUMBING CONTRACTOR.
5. THERE WILL BE NO DIRECT PHYSICAL CONNECTION BETWEEN THE SEWER SYSTEM AND ANY DRAIN FROM THE SWIMMING POOL OR CIRCULATION SYSTEM. OVERFLOW FROM THE SWIMMING POOL, AND DISCHARGES FROM THE CIRCULATION SYSTEM, WILL BE DISCHARGED THROUGH A SUITABLE AIR GAP SO AS TO PRECLUDE THE POSSIBILITY OF BACKFLOW INTO THE SWIMMING POOL OR THE SWIMMING POOL PIPING SYSTEM.
6. HYDROSTATIC RELIEF VALVE TO BE PROVIDED AT THE DEEPEST POINT OF THE POOL
7. SWIMMING POOL PIPING IS DESIGNED TO REDUCE FRICTION LOSSES TO A MINIMUM AND CARRY THE REQUIRED QUANTITY OF WATER AT A MAXIMUM VELOCITY NOT TO EXCEED 6 FEET PER SECOND FOR SUCTION PIPING AND 10 FEET PER SECOND FOR DISCHARGE PIPING
8. ALL SWIMMING POOL PLUMBING PIPING SHALL BE NSF APPROVED SCHEDULE 40 PRESSURE RATED RIGID PVC.
9. ALL PIPE TO BE PRESSURE TESTED PRIOR TO CONCRETE PLACEMENT
10. FLEXIBLE PIPING WILL NOT BE USED
11. ALL EXPOSED PLUMBING AND VALVES WILL BE LABELED ACCORDING TO USE

POOL SIGNAGE NOTES:

1. NON-SKID NO DIVING AND DEPTH MARKER TILES WILL BE LOCATED AT THE DECK NO GREATER THAN 25" ON CENTER AS MEASURED AT THE PERIMETER OF THE POOL
2. FROST PROOF DEPTH MARKER TILE WILL BE LOCATED AT THE WATERLINE AT EACH DECK DEPTH MARKER LOCATION
3. ALL SIGNAGE REQUIRED TO MEET 15A NCAC 18A, AND ANY CITY AND/OR COUNTY CODES WILL BE PROVIDED.
4. COLORS CHOSEN FOR TEXT TO BE OF HIGH CONTRAST WITH BACKGROUND.
5. SWIMMING POOLS THAT DO NOT HAVE AT LEAST ONE LIFEGUARD ON DUTY, SHALL HAVE A SIGN POSTED WITH LEGIBLE LETTERS OF AT LEAST FOUR INCHES IN HEIGHT STATING: "WARNING-NO LIFEGUARD ON DUTY". SEE DETAIL "4/SP-4".
6. WADING POOLS THAT DO NOT HAVE AT LEAST ONE LIFEGUARD ON DUTY INSIDE THE WADING POOL ENCLOSURE SHALL HAVE A SIGN SHALL POSTED WITH LEGIBLE LETTERS OF AT LEAST FOUR INCHES IN HEIGHT STATING: "WARNING-NO LIFEGUARD ON DUTY". SEE DETAIL "4/SP-4".
7. ALL BATHER ENTRANCES SHALL HAVE SIGNS POSTED WITH A MINIMUM LETTER SIZE OF ONE INCH STATING: "CHILDREN SHOULD NOT USE THE SWIMMING POOL WITHOUT ADULT SUPERVISION", AND: "ADULTS SHOULD NOT SWIM ALONE". SEE DETAIL "7/SP-4".
8. ALL SIGNS SHALL BE MOUNTED PERMANENTLY.

BARRIER NOTES:

1. GROUND LEVEL DOORS AND WINDOW OPENINGS FROM OCCUPIED BUILDINGS TO INSIDE THE POOL ENCLOSURE SHALL BE SELF-CLOSING OR CHILD PROTECTED BY MEANS OF A BARRIER OR AUDIBLE ALARM.
2. ALL ACCESS GATES SHALL OPEN AWAY FROM THE POOL. RELEASE ON THE LATCH OF THE LATCH ON THE SELF CLOSING LATCH SHALL BE ACTIVATED:
 - a. AT A HEIGHT NO LESS THAN 54 INCHES ABOVE GRADE FOR WIRE MESH ACCESS GATES AND AT A HEIGHT NO LESS THAN 54 INCHES ABOVE THE HORIZONTAL BOTTOM RAIL OF A PICKET/ORNAMENTAL ACCESS GATE OR
 - b. ON THE POOL SIDE OF THE GATE AT A DISTANCE OF NO LESS THAN THREE INCHES BELOW THE TOP OF THE GATE PROVIDED.
 - c. THERE SHALL BE NO OPENING GREATER THAN 1/2" WITHIN 18 INCHES OF WHERE THE LATCH RELEASE IS ACTIVATED WHEN THE GATE IS CLOSED.

CHEMICAL STORAGE ROOM & CHEMICAL ROOM NOTES:

1. THE CHEMICAL STORAGE ROOM AND EQUIPMENT ROOMS SHALL BE DRY WEATHERPROOF STRUCTURES WITH A MINIMUM CEILING HEIGHT OF 7'.
2. THE CHEMICAL STORAGE ROOM SHALL HOUSE A DRY SHELVING AREA MINIMUM OF 6' ABOVE THE FLOOR.
3. ADEQUATE LIGHTING SHALL BE PROVIDED IN BOTH THE CHEMICAL STORAGE AND EQUIPMENT ROOMS SO THAT ALL VALVES, PIPES, EQUIPMENT, AND SHELVING ARE WELL LIT.
4. CONTINUOUS FORCED VENTILATION WHICH DIRECTS THE DISCHARGE AIR AWAY FROM THE POOL IS REQUIRED. THE SWITCH FOR THE FORCED VENTILATION SHALL NOT BE WIRED INTO THE LIGHT SWITCH AND SHALL BE WIRED FOR CONTINUOUS OPERATION.
5. THE DOOR TO THE EQUIPMENT ROOM SHALL BE PROVIDED WITH A DOOR WITH A PERMANENT LOCK WHICH MUST BE KEPT LOCKED WHEN NOT IN USE BY THE POOL OPERATOR.
6. ALL VALVES, AND CONTROL DEVICES SHALL BE CLEARLY LABELED AND VISIBLE.
7. A MINIMUM OF 3' OF CLEAR WALKING SPACE SHALL BE PROVIDED TO ALLOW ACCESS TO ALL EQUIPMENT.
8. THE EQUIPMENT ROOM FLOOR SHALL SLOPE TOWARDS THE FLOOR DRAIN / BACKWASH PIT A MINIMUM OF 1/4" PER 1'.
9. A HOSE BIB WITH APPROVED BACKFLOW PREVENTION DEVICE WILL BE PROVIDED WITHIN THE EQUIPMENT ROOM.

POOL SAFETY NOTES:

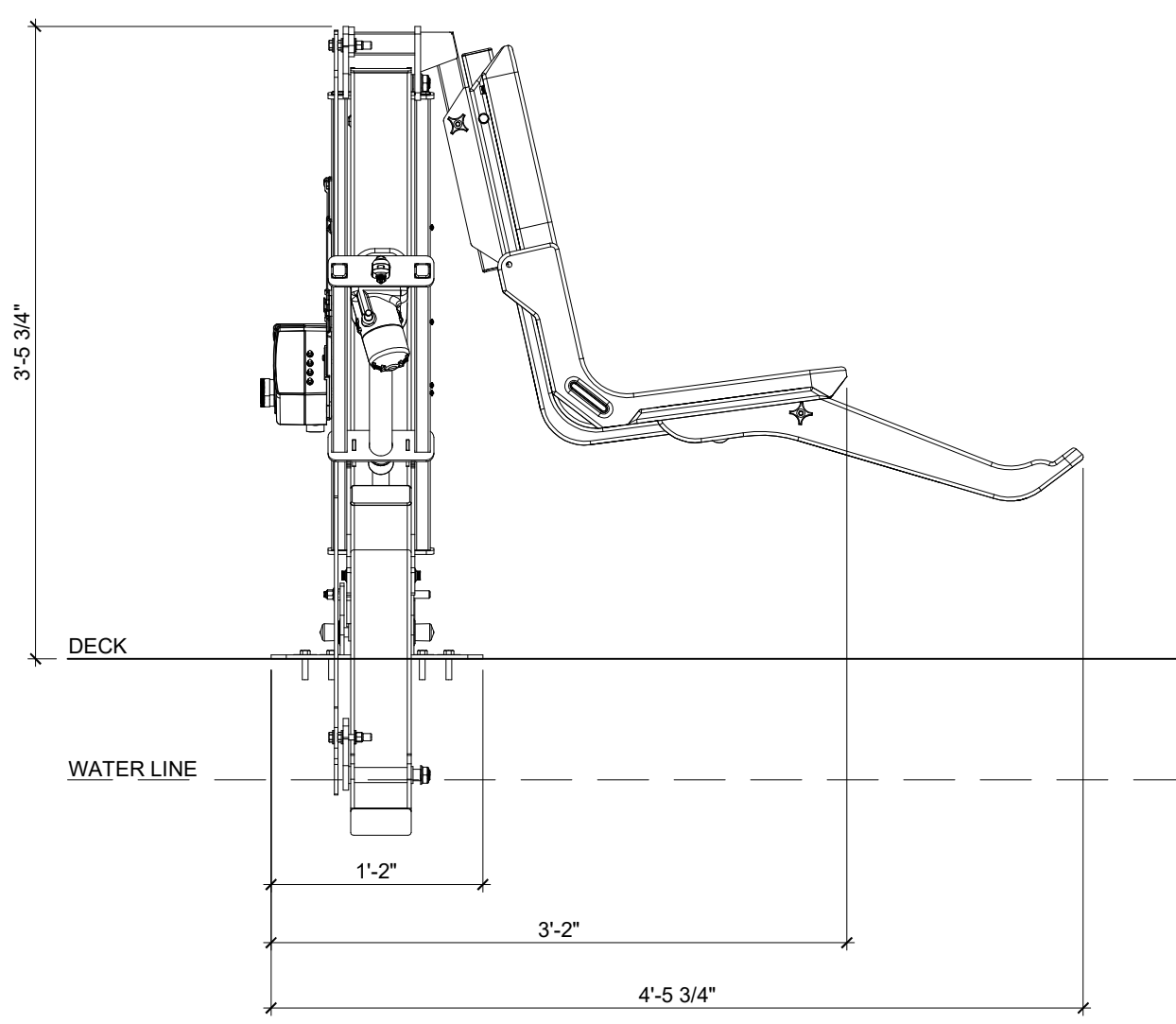
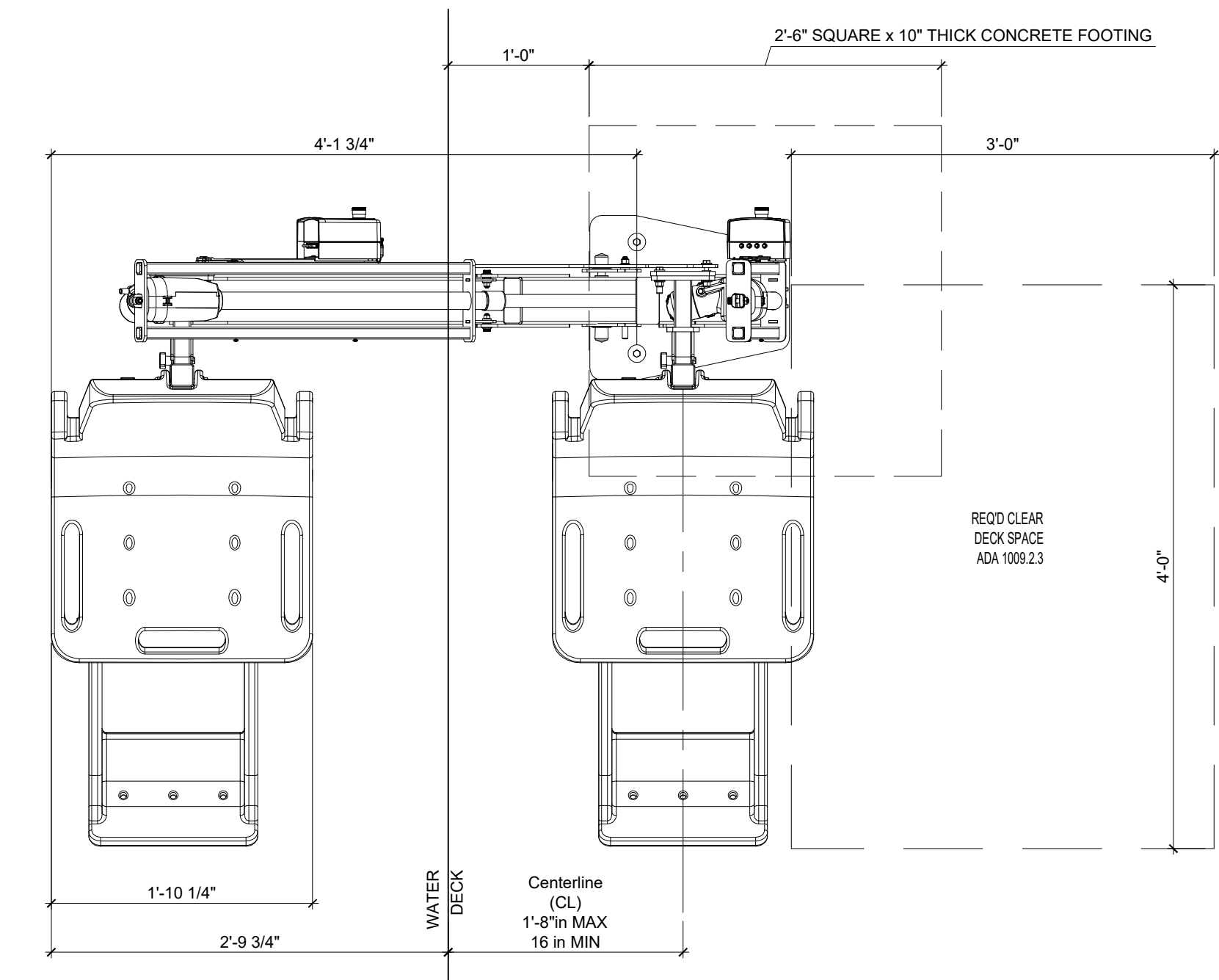
1. SAFETY EQUIPMENT WILL BE STORED IN A LOCATION CLOSE TO THE POOL WITH EASY ACCESS FOR PATRONS AND STAFF INSIDE THE POOL BARRIER.
2. PROVIDE AN EMERGENCY TELEPHONE WITH AN INDEPENDENT LANDLINE BASED PHONE SERVICE, WITH NO LINE EXTENSIONS OR SWITCHBOARD OPERATOR, AND PERMANENTLY MOUNTED ON THE POOL DECK AREA. SEE POOL AREA PLAN FOR SUGGESTED LOCATION. NO DIRECT DIAL 911 PHONES WILL BE ALLOWED (PHONES WHICH HAVE NO DIAL PAD). A SIGN SHALL BE POSTED AT THE PHONE STATING, "EMERGENCY DIAL 911" ALONG WITH THE PHONE NUMBER AND PHYSICAL ADDRESS OF THE POOL. THE EMERGENCY PHONE SHALL BE CAPABLE OF RECEIVING CALLS WITH AN AUDIBLE RINGER.



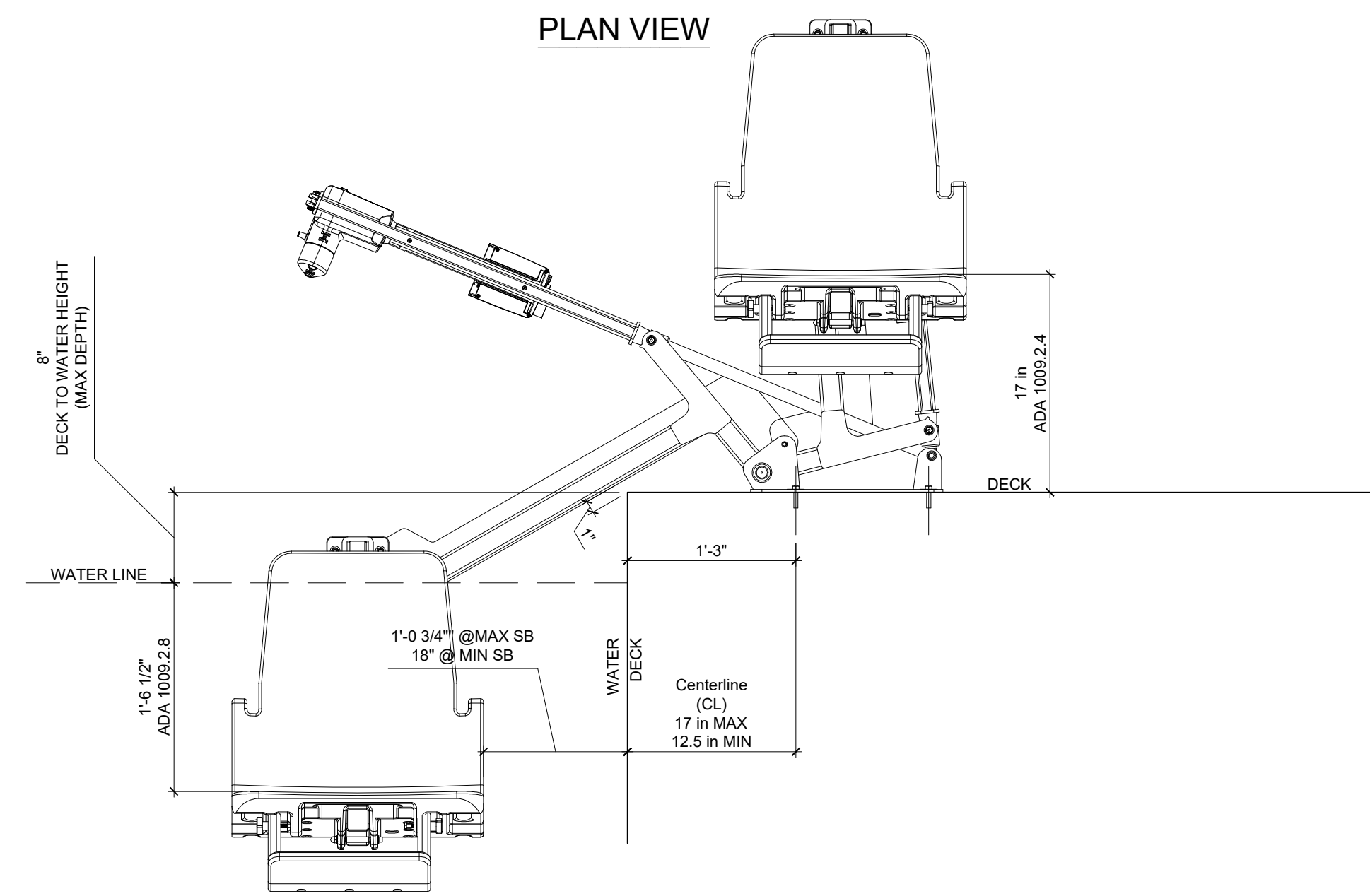
7 SIGNAGE
SP-4 POSTED AT ALL BATHER POOL ENTRANCES. EXAMPLE SIGN, ACTUAL SIGN MAY VARY.



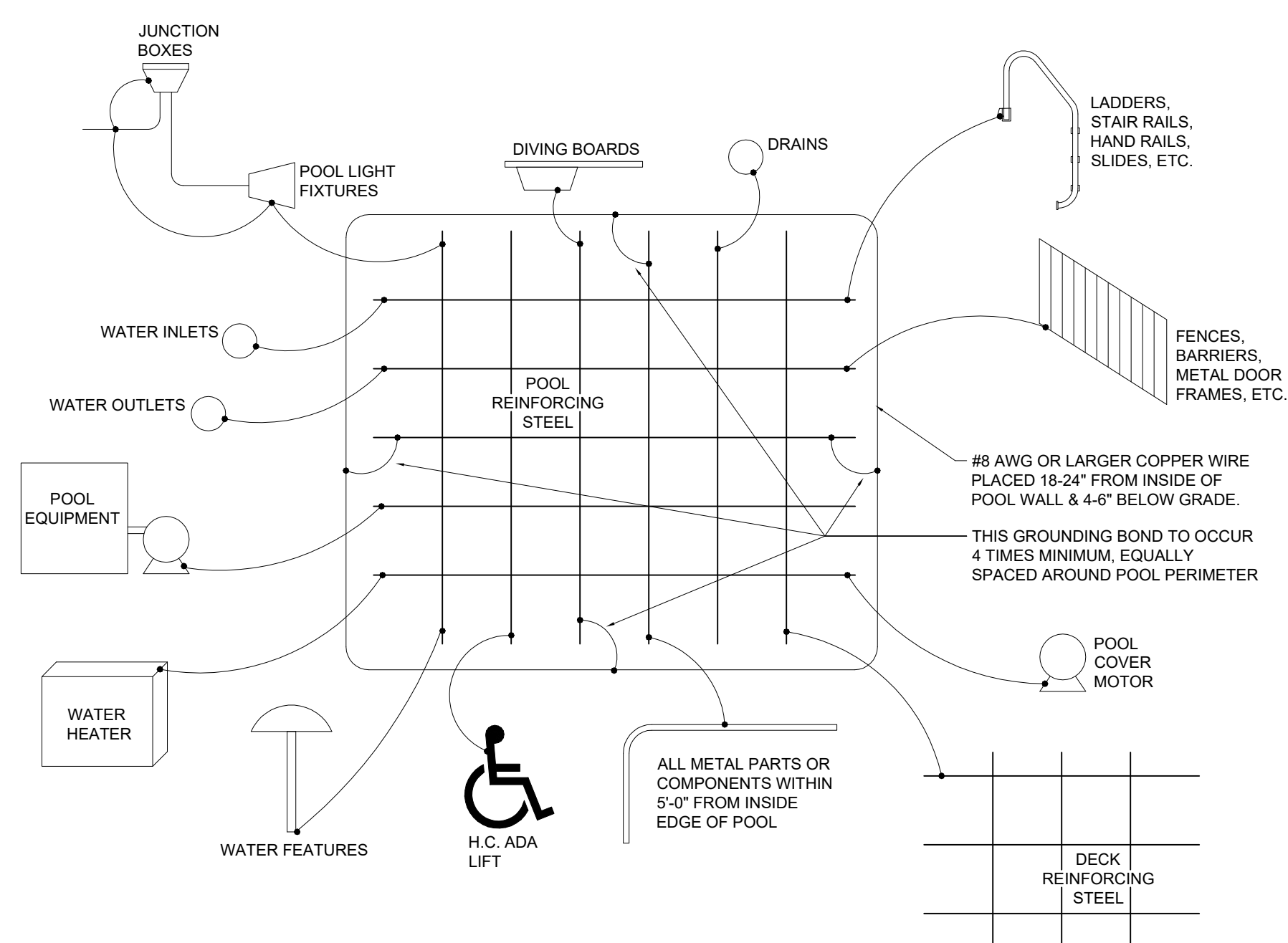
8 SIGNAGE
SP-4 POSTED AT ALL BATHER POOL ENTRANCES. EXAMPLE SIGN, ACTUAL SIGN MAY VARY.



2 POOL WALL SECTION
SP-4 S. R. SMITH, LLC - MODEL # ML300 OR EQUAL
SCALE: 1" = 1'-0"

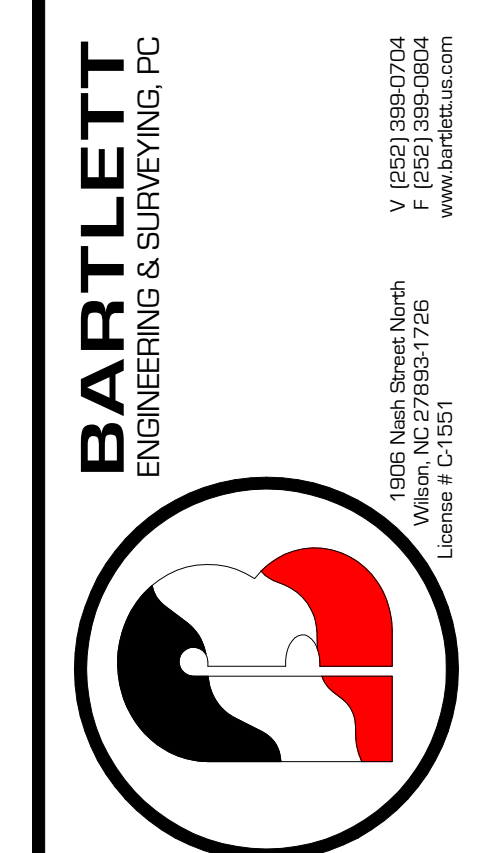


FRONT ELEVATION VIEW
SCALE: 1" = 1'-0"



1 SWIMMING POOL BONDING RISER
SP-4 NOT TO SCALE
GENERAL NOTES:
1. ALL CONNECTIONS WILL BE MADE BY A PRESSURE CONNECTOR OR CLAMPS THAT ARE SUITABLE FOR THE REQUIRED PURPOSE AND ARE MADE OF STAINLESS STEEL, BRASS, OR COPPER.
2. ALL BONDING CONNECTIONS WILL BE WITH #8 AWG SIZED COPPER WIRE.
3. WHERE AS STEEL REINFORCEMENT IS NOT INSTALLED THEN ALL ITEMS WILL BE BONDED TOGETHER WITH #8 AWG SIZED COPPER WIRE.

General Contractor:
Raleigh Pools, LLC
Matthew Nuss, Project Manager
mobile (919) 610-6658
matthew.raleighpools@gmail.com
1400 Smith Reno Road
Raleigh, NC 27603



Rev.	Date:	Description:
4-9-2025		

Rev.	Date:	Description:
4-9-2025		

Title Sheet:
DETAILS & SECTIONS
Project:
Swimming Pool
Cape Overlook
Ross Road Lillington, NC
Drawn by: Mac Morgan
Issue Date: 2-12-2025
Project Number:
Sheet:
SP-4



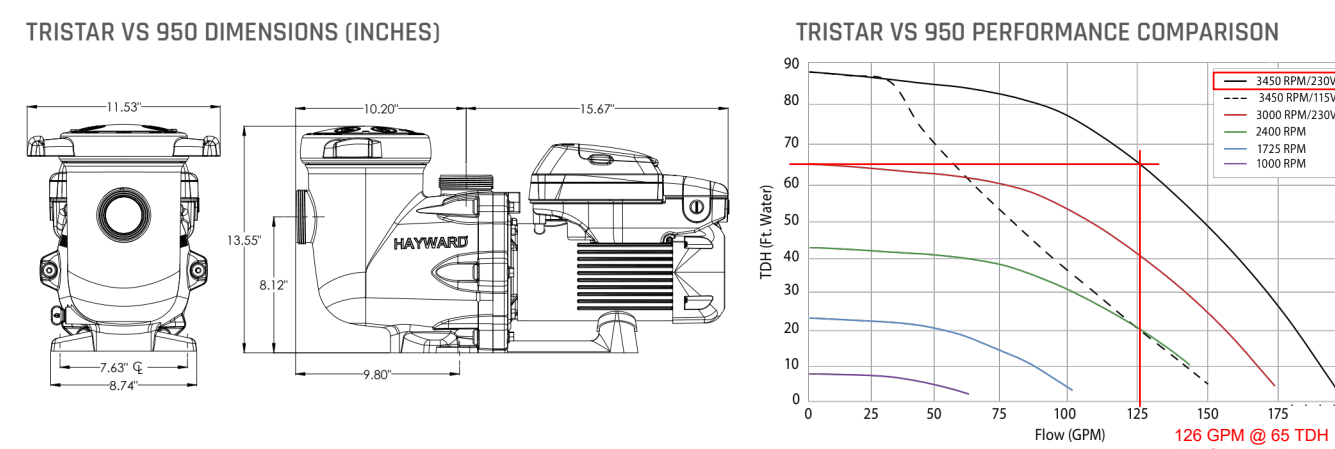
Wall-mountable touchpad control can be rotated in four directions

Interface de commande qui peut être installée au mur ou placée

- INDUSTRY-LEADING ENERGY-EFFICIENCY**
Tristar VS 950 is the most energy-efficient residential pool pump on the market, according to EPA ENERGY STAR® third-party testing data. La pompe Tristar VS 950 est la pompe pour piscine résidentielle la plus écoénergétique sur le marché selon les données de tests EPA ENERGY STAR® effectués par des tiers.
- DESIGNED FOR DURABILITY**
Built with a chemical-resistant Viton® seal and a 4-year extended warranty. Construite avec un joint d'étanchéité en Viton résistant aux produits chimiques et une garantie prolongée de 4 ans.
- SEAMLESS RETROFITTING**
With two pump base options and 2" x 2 1/2" CPVC union connections, Tristar VS 950 is easy to install in both new and existing pool pads. Avec deux options de base pour la pompe et des raccords union de 2 po x 2 1/2 po en CPVC, la pompe Tristar VS 950 s'installe facilement sur une piscine neuve ou une piscine déjà en place.

SAVE UP TO 90% COMPARED TO OTHER PUMPS

MODEL NUMBER	STAND ALONE	RELAY CONTROL	HAYWARD® AUTOMATION	VOLTAGE	TOTAL HP	SPEED RANGE	UNION CONNECTIONS	EXTENDED WARRANTY
SP3295VSP				230/115V	2.7/1.5	600-3450 RPM	2" x 2 1/2"	4 years



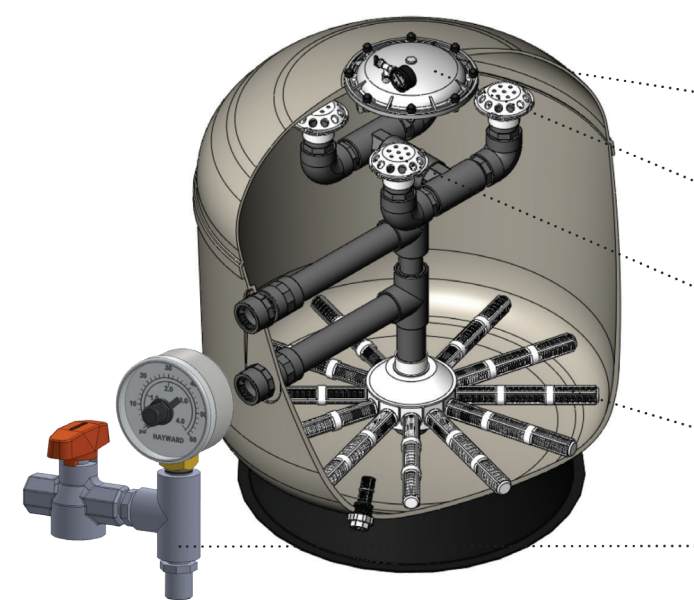
* Compared to single-speed pumps.

SPARE BASKET TO BE PROVIDED

Tristar VS 950 pumps are listed by NSF

hayswardpool.ca • 1-888-238-7665

hayswardcommercialpool.com • 1-800-657-2287



UV-protected gel coat protects the filter from the elements

Transparent manway design simplifies operation and improves durability

Dual-Head (HCF230) or Quad-Head (HCF234 and HCF236) Diffusers provide optimized distribution

Commercial-grade PVC and ABS injection-molded internals with 3/16" slotted laterals provide high performance and resistance in corrosive applications

Industrial valve and pressure gauge configuration offer durability and increased accuracy

DIMENSIONS

FILTER MODEL NUMBER	DIMENSIONS (INCHES)					FILTER AREA SQ. FT. (M ²)	MAX FLOW RATE GPM (LPM)	FILTER SAND QTY. (LBS.)	INSTALLATION CLEARANCE (INCHES)		
	A	B	C	D	E				VERTICAL	HORIZONTAL	
HCF230	16.5	24	31.49	43.48	2	5.0	46	100	378	600.0	4
HCF234	18.75	26.25	33.85	43.48	2	6.0	59	120	477	750.0	4
HCF236	18.75	26.25	37.4	43.48	2	7.2	67	143	541	900.0	4

TECHNICAL SPECIFICATIONS & PERFORMANCE DATA

PART NUMBER	HCF230	HCF234	HCF236
Size of Fiberglass Sand Filter	30"	34"	36"
Filtration Area/ft ²	5.0	6.0	7.2
Filtration Rate GPM/ft ²	5 - 20	5 - 20	5 - 20
Filtration Flow Rate at 15 GPM/ft ² (GPM)	75	90	108
Filtration Flow Rate at 20 GPM/ft ² (GPM)	100	120	143
Backwash Flow Rate (GPM)	25 - 100	30 - 120	36 - 143
Maximum Working Pressure (PSI)	50	50	50
Installation Top Clearance	24"	24"	24"
Installation Side Clearance	4"	4"	4"
Inlet/Outlet Connections	2"	2"	2"
Carton Dimensions (L x W x H)	38 x 38 x 44	38 x 38 x 44	38 x 38 x 44
Carton Weight (lbs.)	80.0	100.0	120.0

hayswardcommercialpool.com • 1-800-657-2287

CAUTION
Do not install feeder into copper plumbing. Pipe damage could occur. Never install feeder before heater. Heater damage could occur.

#300-29X CHLORINE / BROMINE FEEDER PARTS BREAK DOWN DRAWING

Part No.	Part No.	Description
1	R172008	3" Threaded cap
2	R172008	O-Ring cap
3	R172008	1/2" x 3/8" MPT nipple
4	R172008	1/2" Chlorine control valve
5	R172272	1/2" MPT x tube fitting w/nut
6	R172292	Chlorinator tube
7	R175013	S/S tubing clamp
8	R172292	Saddle clamp
9	R172292	Saddle gasket
10	R172294	Saddle clamp
11	R172285	Body easy w/stand #300-29
12	R172008	Silicone manifold
13	R172008	Cap Wrench
14	Optional R172032	Corrosion resistant check valve, tube x tube (ball)
15	R172134	1 1/2" MPT PVC plug
16	R172288	1 1/2" Corrosion resistant check valve
17	Optional R172288	1 1/2" Corrosion resistant check valve

9 1/8" HOLE IN PLUMBING AFTER HEATER, IF NO HEATER AFTER FILTER

9 1/8" HOLE IN PLUMBING BETWEEN PUMP & FILTER

9 1/8" HOLE IN PLUMBING FEEDER FILTER

OPTIONAL DRAIN VALVE KIT #R172002

OPTIONAL FLOW INDICATOR KIT INSTALLATION

YOU MAY SUBSTITUTE BROMINE TABLETS OR STICKS FOR TRICHLORIN IN THIS FEEDER. DO NOT MIX.

CALCIUM HYPOCHLORITE IS NOT TO BE USED IN ANY FORM.

NSF listed for public or residential use in Swimming Pools, Spas or Hot Tubs using Trichlor or Bromine.

Blue-White Industries, Ltd. Engineering and Technical Data

Pitot Tube Insertion Meters

F-300 U-300 D-300 Clamp-on Insertion Mount

Features:

- 1" length of pipe size
- Flow rates from 4 to 150 GPM (15 to 720 LPM)
- Resistant PVC internal flow passage
- One piece machined acrylic body
- Mounts to existing pipe. No unions or adapters required.
- Models for recording on horizontal or vertical pipe
- Mounting clamp and gasket included
- NSF Listed

Specifications:

Pipe Requirements: 1/2" min pipe size (ASTM A191)

Max. Pipe Depth: 1/2" (19.05 mm) for 1/2" pipe size

Accuracy: 1" size, 1.5" size 2" pipe size 1% of rate

Flow Requirement: 1/2", 1", 1.5", 2" pipe size 10% of rate

Endurance: 100,000 cycles

Operating Temp Range: 0 to 110°F (18 to 43°C)

Material: Polycarbonate & Fluoropolymer of water only. Actual pipe rating may vary.

Materials of Construction:

Mount: PVC

Gasket: Neoprene

Clamp: 316 series Stainless Steel

Installation Requirements:

Minimum Straight Pipe Length Requirements

The meter is accurate only when installed in a straight pipe. The pipe must be completely full of water at all times. The meter must be installed in the direction of flow. The meter must be installed in the direction of flow. The meter must be installed in the direction of flow.

Example of Minimum Straight Pipe Length Requirements

Model	Minimum Straight Pipe Length	Minimum Straight Pipe Length
F-300	12.00 (30.48)	12.00 (30.48)
U-300	12.00 (30.48)	12.00 (30.48)
D-300	12.00 (30.48)	12.00 (30.48)

Horizontal Pipe Installation

MODEL NO.	PIPE SIZE	PIPE MATERIAL	SC40 (GPM)	SC80 (GPM)
F-30100P	1" IPS	PVC	5 - 20 GPM	4 - 20 GPM
F-30125P	1 1/4" IPS	PVC	9 - 30 GPM	8 - 40 GPM
F-30150P	1 1/2" IPS	PVC	10 - 70 GPM	10 - 60 GPM
F-30200P	2" IPS	PVC	20 - 120 GPM	10 - 100 GPM
F-30250P	2 1/2" IPS	PVC	25 - 150 GPM	25 - 130 GPM
F-30300P	3" IPS	PVC	45 - 240 GPM	40 - 215 GPM
F-30400P	4" IPS	PVC	75 - 420 GPM	70 - 375 GPM
F-30600P	6" IPS	PVC	170 - 1100 GPM	160 - 1000 GPM
F-30800P	8" IPS	PVC	300 - 2000 GPM	275 - 1500 GPM

* PVC Pipe and Fittings "P" for Standard Flow
* COPPER Tube and Fittings "T"

P-1 MAIN POOL WATER PUMP, VARIABLE SPEED HAYWARD TRISTAR VS 950, 2.7 HP / 230V 1PH

P-2 36" NOMINAL DIA. FILTER GLASS SAND FILTER HAYWARD HCF236

P-3 CHLORINE/BROMINE FEEDER, w/ FLOW INDICATOR - PENTAIR 300-29X

P-4 FLOW RATE INDICATOR BLUE WHITE - F-30300P

OmniLogic® 5-Step Modular Configuration

OmniLogic Base Panel

- Any pool or spa/whirl combination
- Single, Shared and Dual Equipment

Standard Features:

- Built-in touch display for easy configuration and programming
- Expansion panel adds an additional system panel with the same capabilities as the base unit*
- 4 high-voltage relays (upgradable to 10)
- 4 valve actuator relays (upgradable to 8)
- 4 low-voltage relays/heaters (upgradable to 8)
- 5 temperature sensors
- Controls up to 16 EcoStar® or Tristar® variable-speed pumps without a relay
- USA sub panel with 12 breaker slots
- 50 favorite one-click buttons
- 25 unique programmable themes
- Salt chlorination ready

OmniLogic System Expansion (optional)

- I/O expansion board plugs directly into base unit and provides 4 additional high-voltage relays, 4 additional low-voltage relays and 4 additional temperature sensors
- Expansion panel adds an additional system panel with the same capabilities as the base unit*
- * Expansion Panel available Spring 2016

Choose Remote Control

- Wireless antenna for web use (if wired internet unavailable)
- Wired full-function touch screen with multi-touch for indoor or protected outdoor use
- Wireless waterproof full function touch screen remote for pool, spa or indoor use
- Free app for Apple® iPad®, iPhone® and Android®
- Free website for backyard control from any internet device

Identify Control Needs

- Ability to add a relay bank and 2 individual relays for a total of 6 additional relays for further feature control

OmniLogic Specifications

Part Number	Description
HLBASE	OmniLogic 4 Relay Base Panel
HLRELAYBANK	OmniLogic 4 Relay Bank
HLRELAY	OmniLogic 1 Relay
HLDEPRAND	OmniLogic 4x4x4 Valves, Sensors, Inputs
HLDLINK	OmniLogic Wireless Network Antenna
HLWALLMOUNT	OmniLogic Wall Mount Remote
HLWPELESS	OmniLogic Wireless Waterproof Remote
HLDEPRAND	OmniLogic Expansion Panel
GLW 24	Hayward® Activator 24 Volt
T CELL 15	Hayward 40,000 Gallon Salt Cell
PH-8T	Hayward Salt Purifying Kit
HC-CHEM	OmniLogic Sense & Dispense
ADL-CHEM-ACID	pH Dispense, Acid Feed System

To view the OmniLogic video, visit thepowerofsimple.com 1-888-HAYWARD

AQUASTAR pool products

FLOW STAR® STANDARD SKIMMER WITH WATER STOP FACE, FLOAT ASSEMBLY, BASKET, LID AND ADJUSTABLE COLLAR

A Safe Drain is No Accident™

Built in conformance with NSF 50 and SPS 3 standards

FEATURES

- Adjustable collar
- New web clip lock secures the clips in the weir door
- Weir plate with easy snap-in and out locks
- Self-contained gasket strip, water stop on face plate to prevent water leaks
- Large self-contained basket with lock-in feature (not included)
- Pre-installed O-ring for float assembly
- Underwater dampers on face plate for noise reduction on weir plate - especially on windy days
- Super strong engineered polymer upper housing
- Extra heavy duty PVC lower unit (no transitional glue required)
- 2 1/2" outside slip and 2" inside slip (outside skimmer)
- 27 threads for pressure testing (inside skimmer)
- Built-in overflow or fill line knock out
- Upper housing has pre-cut rebar cut outs with pre-drilled holes for the weir
- Additional base inside skimmer box for basket, float assembly and weir plate (no assembly does not get lost on job site)
- Skimmer Lid and Collar G154 UV tested NSF 50 approved for commercial use, 25 GPM min, 50 GPM max - approved for residential use up to 100 GPM
- Optional custom name/logo engraved on lid (requires minimum 100 pieces lid order)
- 1 per case

Now available with three lid options: round, square or snap-in round/square

Part # SKR1xx

STANDARD COLORS

- SKR101 - White
- SKR102 - Black
- SKR103 - Light Gray
- SKR104 - Blue
- SKR105 - Dark Gray
- SKR108 - Tan

1. Skimmer body
2. Collar
3. Lid
4. Float assembly p/n SK64xxx
5. Basket
6. Weir assembly
7. Weir clip, qty 2
8. 2" MPT port plug
9. Basket rod

SPS 3 & NSF 50 Compliant

P 877-768-2717 F 877-276-POOL Outside the US: P+1-805-620-5060 F+1-949-336-1940 info@aquastarpoolproducts.com www.aquastarpoolproducts.com

PROUDLY MADE IN THE USA

Fig. 1

Fig. 2 (CLEARING SAND AND RUST FROM VALVE)

PACKING LIST:

- 1 - Tank
- 1 - Ring Lid
- 1 - Valve
- 1 - 1" x 18" OverFlow PVC Pipe
- 1 - Instruction Sheet w/pig.
- 3 - screws, 1 filter, 1 washer

WARRANTY

POOLMISER WILL WARRANTY THAT THE TANK, RING AND LID WILL BE FREE FROM DEFECTS AT THE TIME OF SHIPMENT. INSPECT CAREFULLY BEFORE YOU INSTALL THEM. THE FLUIDMASTER VALVE HAS A MANUFACTURER'S WARRANTY TO BE FREE FROM DEFECTIVE MATERIALS AND WORKMANSHIP FOR A PERIOD OF THREE YEARS.

FILL IN INFORMATION BELOW; AFFIX POSTAGE AND MAIL TODAY

Date purchased _____ Installed by Pool contractor Plumber Yourself

Date installed _____

Your name _____ Purchased from _____

and address _____ Name and address _____

Signature _____

2 Inch Commercial Multiport Valve Kit - Next Gen

Item #HCV275

Write a Review

Product Description

Hayward's 2in Multiport Valve Kit is factory plumbed for use with Hayward HCF302T, HCF342T, and HCF362T (Up to 125 GPM) commercial sand filters, complete with 2in union connections. The six-position valve facilitates selection of filter, backwash, waste, rinse, close or recirculate modes at the turn of a single lever. The integral sight-glass allows the operator to visually monitor the backwash stream.

- Factory plumbed to fit Hayward HCF302T, HCF342T, and HCF362T (Up to 125 GPM) commercial sand filters
- Simplifies filter installation and operation
- Six mode selections at the turn of a single lever
- 2in union connectors included
- Accommodates flow rates to 125 GPM

Click to Enlarge

Collage

P-5 OMNILOGIC 4 RELAY BASE PANEL HAYWARD HLBASE

P-6 AQUASTAR FLOWSTAR SKR-101

P-7 AUTOFILL POOLMISER PM-101

P-8 MULTIPORT PREPLUMBED VALVE KIT HAYWARD HCV275

General Contractor: **Raleigh Pools, LLC**
Matthew Nuss, Project Manager
mobile (919) 610-6658
matthew.raleighpools@gmail.com
1400 Smith Reno Road
Raleigh, NC 27603

BARTLETT
ENGINEERING & SURVEYING, PC

1905 N. Smith Street, North
Wilmington, NC 28404
F: 910-398-0904
www.bartlett.com

SEAL 20106
ROBERT S. BARTLETT
ENGINEER

PE Seal

Date:	Description:
4-9-2025	Revised plans per client comments

Rev:

Title Sheet: **EQUIPMENT SPEC SHEETS**

Project: **Swimming Pool Cape Overlook**
Lillington, NC

Drawn by: **Mac Morgan**


Issue Date: **2-12-2025**

Project Number: **SP-5**

Sheet: **SP-5**

CMP Part Number	Compare To	Full Description
25524-200-000	215-8690, 542423	White
25524-201-000		Gray
25524-204-000		Black
25524-207-000		Dark Gray
25524-239-000		Tan

2" INSIDER WALL RETURN FITTING
2" FIP X 2" SOCKET



Pentair 3/4" Eyeball Fitting 540021 - White

Full Description

Pentair Eyeball Fitting 540021

Directional Eyeball Inlet/Wall Fitting

Features:

- 3/4" Eyeball Opening
- 1 1/2" Threaded Fitting
- Adjustable inlet direction
- Color: White

Pentair 540021

4" Adjustable Floor Return Fitting with Water Stop

FEATURES

- Diverter plate molded as one piece - no glue joints for longer lasting commercial use.
- Integrated water stop helps prevent leaks.
- 2" x 1 1/2" slip pipe adapter included.
- Full 360-degree flow.
- Flow rate up to 80 GPM.
- DANGES: NOT to be used as a suction outlet.
- Manufactured from engineered polymer.
- UV-resistant ABS material.
- 316 Stainless steel screws.
- 25 per case.
- Also available as return diverter plate only for remodels, repairs, etc. p/n DIVxxxx 25 per case.

Part # DIVxxxx Diverter plate fits: Pentair/Sea-Rite

Part # 4DIVxxxx



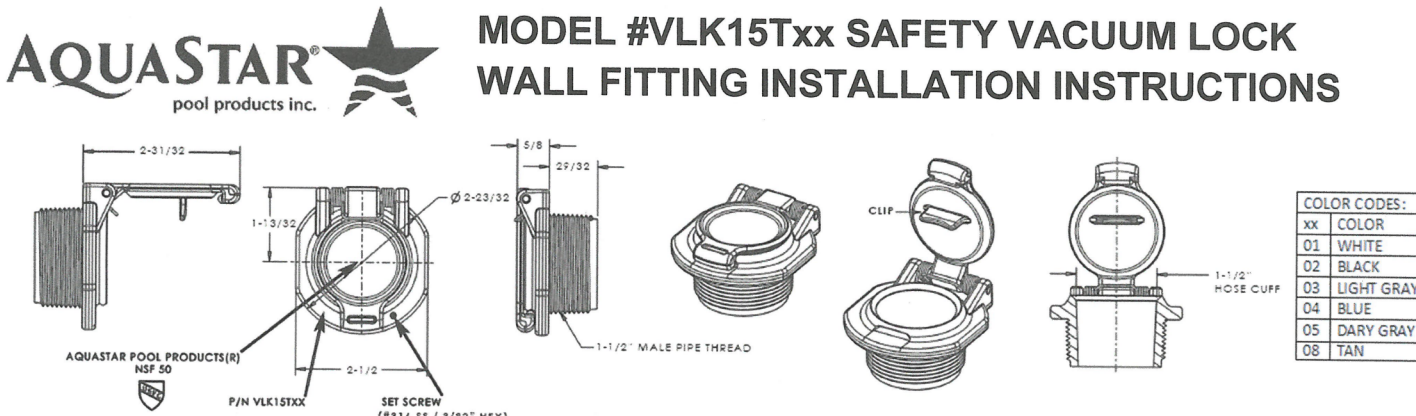
NOTE: 2" MODEL FOR COMMERCIAL & CUSTOM INSTALLATIONS COMING SOON. #VLK201xx
-AquaStar's Safety vacuum lock wall fitting has been tested and listed by IAPMO per IAPMO SPS4 and NSF 50 Standards.
-Do not alter in anyway.
-When in need of repair, replace the whole unit.

- Add silicone sealant to 1 1/2" male threads and hand turn into 1 1/2" female thread wall fitting already installed in pool. This fitting will be connected to the suction side of the plumbing system with a 3-way or ball valve at the equipment to adjust the flow rate.
- Thread into wall fitting as far as you can and with the "arrow" pointing up. (The spring will be on top)
- Anchor set screw with a 3/32" size allen wrench.
- Use screwdriver to open flap and then insert vacuum/pool cleaner hose. "Clip" on inside of flap will help hold vacuum/pool cleaner hose to wall fitting when pump is turned off.
- When not in use make sure cover flap has been snapped firmly in place.
- NEVER operate a pool/spa with an uncovered suction outlet or vacuum port.

For more information contact us or visit our website.
(877)488-2717 / (877)274-POOL (3643) - Fax: +1-805-620-5060 / +1-949-336-1940 - Fax
<http://www.aquastarpoolproducts.com> / <http://www.aquastarcorp.com>

Rev 11182015

AQUASTAR MODEL #VLK15Txx SAFETY VACUUM LOCK WALL FITTING INSTALLATION INSTRUCTIONS



NOTE: 2" MODEL FOR COMMERCIAL & CUSTOM INSTALLATIONS COMING SOON. #VLK201xx
-AquaStar's Safety vacuum lock wall fitting has been tested and listed by IAPMO per IAPMO SPS4 and NSF 50 Standards.
-Do not alter in anyway.
-When in need of repair, replace the whole unit.

- Add silicone sealant to 1 1/2" male threads and hand turn into 1 1/2" female thread wall fitting already installed in pool. This fitting will be connected to the suction side of the plumbing system with a 3-way or ball valve at the equipment to adjust the flow rate.
- Thread into wall fitting as far as you can and with the "arrow" pointing up. (The spring will be on top)
- Anchor set screw with a 3/32" size allen wrench.
- Use screwdriver to open flap and then insert vacuum/pool cleaner hose. "Clip" on inside of flap will help hold vacuum/pool cleaner hose to wall fitting when pump is turned off.
- When not in use make sure cover flap has been snapped firmly in place.
- NEVER operate a pool/spa with an uncovered suction outlet or vacuum port.

For more information contact us or visit our website.
(877)488-2717 / (877)274-POOL (3643) - Fax: +1-805-620-5060 / +1-949-336-1940 - Fax
<http://www.aquastarpoolproducts.com> / <http://www.aquastarcorp.com>

Rev 11182015

Packed in corrugated boxes

PART NUMBER	VALVE SIZE	DESCRIPTION	WGT.
V30BPKG	3	FLANGE BOLT SET GALVANIZED 3" (FOR BFV)	2.75
V40BPKG	4	FLANGE BOLT SET GALVANIZED 4" (FOR BFV)	5.75
V60BPKG	6	FLANGE BOLT SET GALVANIZED 6" (FOR BFV)	9.3
V80BPKG	8	FLANGE BOLT SET GALVANIZED 8" (FOR BFV)	11.8
V100BPKG	10	FLANGE BOLT SET GALVANIZED 10" (FOR BFV)	24
V120BPKG	12	FLANGE BOLT SET GALVANIZED 12" (FOR BFV)	27
V30BPKZ	3	FLANGE BOLT SET ZINC PLATED 3" (FOR BFV)	2.7
V40BPKZ	4	FLANGE BOLT SET ZINC PLATED 4" (FOR BFV)	5.75
V60BPKZ	6	FLANGE BOLT SET ZINC PLATED 6" (FOR BFV)	9.3
V80BPKZ	8	FLANGE BOLT SET ZINC PLATED 8" (FOR BFV)	10.55
V100BPKZ	10	FLANGE BOLT SET ZINC PLATED 10" (FOR BFV)	24
V120BPKZ	12	FLANGE BOLT SET ZINC PLATED 12" (FOR BFV)	27
V30BPKS	3	FLANGE BOLT SET STAINLESS 3" (FOR BFV)	2.7
V40BPKS	4	FLANGE BOLT SET STAINLESS 4" (FOR BFV)	5.7
V60BPKS	6	FLANGE BOLT SET STAINLESS 6" (FOR BFV)	9.25
V80BPKS	8	FLANGE BOLT SET STAINLESS 8" (FOR BFV)	10.4
V100BPKS	10	FLANGE BOLT SET STAINLESS 10" (FOR BFV)	24
V120BPKS	12	FLANGE BOLT SET STAINLESS 12" (FOR BFV)	27

Galvanized
Zinc Plated
304 Stainless

Butterfly Valve Bolt Sets - Bolts, washers, and nuts sized to accommodate Colonial Plastic Butterfly valves and two PVC or CPVC flanges. Gaskets are not required when using Colonial Butterfly Valves. (Pricing Schedule B)

Contractor Kit Includes PVC Butterfly Valve, Two Lasco PVC Van-stone Flanges, and Bolt kit. All packed in one heavy-duty corrugated carton for delivery to jobsite. One convenient part number ensures that all materials will be delivered. See the chart below to determine the part number by choosing the size and series of the Butterfly valve, and the material of the bolt kit. (Pricing Schedule K)

PART NUMBER	SIZE	BFV SERIES	BOLT KIT TYPE
KIT TO INCLUDE 41M SERIES BFV WITH M OLORED RED POLYPROPYLENE LEVER HANDLE			
KIT41M11G	1 1/2	411	GALV
KIT41M12	2	411	ZNC
KIT41M18	2	411	SS
KIT41M11G	3	411	GALV
KIT41M12	3	411	ZNC
KIT41M18	3	411	SS
KIT41M11G	4	411	GALV
KIT41M12	4	411	ZNC
KIT41M18	4	411	SS
KIT41M11G	6	411	GALV
KIT41M12	6	411	ZNC
KIT41M18	6	411	SS
KIT41M11G	8	411	GALV
KIT41M12	8	411	ZNC
KIT41M18	8	411	SS
KIT TO INCLUDE 71M SERIES BFV WITH M OLORED BLUE ABS LEVER HANDLE			
KIT71M11G	3	711	GALV
KIT71M12	3	711	ZNC
KIT71M18	3	711	SS
KIT71M11G	4	711	GALV
KIT71M12	4	711	ZNC
KIT71M18	4	711	SS
KIT71M11G	6	711	GALV
KIT71M12	6	711	ZNC
KIT71M18	6	711	SS
KIT71M11G	8	711	GALV
KIT71M12	8	711	ZNC
KIT71M18	8	711	SS
KITS TO INCLUDE 31M SERIES BFV WITH COATED METAL STEEL LEVER HANDLE			
KIT31M11G	3	311	GALV
KIT31M12	3	311	ZNC
KIT31M18	3	311	SS
KIT31M11G	4	311	GALV
KIT31M12	4	311	ZNC
KIT31M18	4	311	SS
KIT31M11G	6	311	GALV
KIT31M12	6	311	ZNC
KIT31M18	6	311	SS


Also available through:
LASCO Fittings, Inc.

P-9 EYEBALL BULKHEAD & INLET FITTING
Custom Molded Products 25524-200-000 & Pentair 540021

P-10 FLOOR RETURN
AquaStar API-25-1106

P-11 SAFETY VACUUM LOCK WALL FITTING
AquaStar API-201-0001

P-12 BUTTERFLY VALVE KIT, 711 SERIES
Lasco LAS-56-3149



2" Socket White Hayward® QVC Series Compact PVC Ball Valve

Product Description

Perfect for OEM and other applications that require a reliable ball valve at an economical price. Internal components of a compact ball valve are completely encapsulated within the valve body in a one-step manufacturing process. Absolutely no danger of leakage through assembled parts; valve never requires adjustment since all internal components are sealed inside the one-piece valve body. Designed to fit into spaces too small for other valves. Ideal for applications where space and weight are critical considerations. Rated at 150 PSI @ 70°F. EPDM O-rings.

A.S.A. MFG. INC.

HEAVY DUTY FIBERGLASS SUMPS

- Rough sand exterior finish
- Smooth interior finish
- Seals against ground water
- No leakage, no seepage
- Plastic Reinforced & built for maximum structural strength
- Non-toxic - "no preservatives"
- 2" f.p.s. x 1/2" fitting for hydro relief valve and vent pipe
- "Quick Mount" hardware and sealant included
- Custom configurations fabricated - Call us today!
- Optional emergency barge

Legacy Flange Design

12x12x12 SUMP DRAIN & OUTLET COVER, A.S.A Mfg. Inc. FPK-50-812-4 & AquaStar 1216101

12/CS #153 BLUE SAFETY LIFE HOOK W/O HARDWARE (RAI-40-2132)

Product #: RAI-40-2132
Mfg: PENTAIR WATER POOL & SPA, INC.
Mfg #: R221026
Department: SAFETY
Product Line: Safety, Commercial
UOM (Default): EA
Obsolete: This product is not obsolete.
Ship Weight (lbs): 1.07
Dimensions: 0.00x0.00x0.00
UPC Code: 788379007614

12/CS #820-12 12' STRAIGHT ALUMINUM POLE (RAI-40-2112)

Product #: RAI-40-2112
Mfg: PENTAIR WATER POOL & SPA, INC.
Mfg #: R191106
Department: MAINTENANCE EQUIP
Product Line: Poles - Comm
UOM (Default): EA
Obsolete: This product is not obsolete.
Ship Weight (lbs): 2.17
Dimensions: 0.00x0.00x0.00
UPC Code: 788379006136

61 24" WHITE CGA FOAM LIFE RING (PSL-42-1001)

Product #: PSL-42-1001
Mfg: POOLSTYLE MAINTENANCE
Mfg #: 361
Department: SAFETY
Product Line: Buoy Safety Float Anchor, Commercial
UOM (Default): EA
Obsolete: This product is not obsolete.
Ship Weight (lbs): 4.20
Dimensions: 24.75x24.25x4.25
UPC Code: 040011033611

74 BUOY HOLDER W/60' HEAVING LINE (PSL-42-1007)

Product #: PSL-42-1007
Mfg: POOLSTYLE MAINTENANCE
Mfg #: 374
Department: SAFETY
Product Line: Miscellaneous - Safety, Commercial
UOM (Default): EA
Obsolete: This product is not obsolete.
Ship Weight (lbs): 1.10
Dimensions: 6.50x5.50x11.00
UPC Code: 040011474599

P-13 BALL VALVE SCH 40 PVC (see plan for sizes req'd.)
Charlotte Pipe Hayward or equal

P-14 12x12x12 SUMP DRAIN & OUTLET COVER,
A.S.A Mfg. Inc. FPK-50-812-4 & AquaStar 1216101

P-15 SAFETY LIFE HOOK & 12' LONG ALUMINUM POLE
Pentair Water Pool & Supply, Inc. or equal

P-16 Coast Guard Approved Life Ring & 60' Long Rope
Poolstyle or equal

General Contractor:
Raleigh Pools, LLC
Matthew Nuss, Project Manager
mobile (919) 610-6658
matthew.raleighpools@gmail.com
1400 Smith Reno Road
Raleigh, NC 27603

BARTLETT
ENGINEERING & SURVEYING, PC

1905 N. Raleigh Street, Raleigh, NC 27603
F. (919) 398-0904
www.bartlett.com

SEAL 20106
ROBERT S. BARTLETT
ENGINEER

FE Seal

Date: 4/9/2008
Rev: 1

Equipment Spec Sheets

Swimming Pool
Cape Overlook
Ross Road
Lillington, NC

Drawn by: Mac Morgan
Issue Date: 2-12-2025
Project Number:
Sheet: **SP-6**



Pool, Spa & Fountain Finishes

DIAMOND BRITE Exposed Aggregate Pool Finish

TECHNICAL DATA APPLICABLE STANDARDS ASTM International (ASTM) ANSI American National Standard Institute (ANSI) ASTM D 4086, ASTM E1477, ASTM E 1347

Many building departments and health departments require commercial swimming pool and spa finish coatings shall be comprised of a non-pigmented white cementitious binder and shall have a dry Lightness level (CIE L value) of 80.0 or greater and a wet Luminous Reflectance Value (CIE Y value) of 50.0 or greater.

Reflectance Value wet test shows the reflective value of a finish with "0" being the least reflective and "100" being the most reflective. Please see the recorded test values in the table below.

Table with 4 columns: Diamond Brite Color, CIE L Value DRY, CIE Y Value WET, Reflectance Value WET 0 - 100. Lists various colors like Premium White, Super Blue, Blue, etc.

***Highlighted finishes comply with Florida Building Code 454.1.2.4 for commercial use.

*Refers to Florida building and health requirements ** North Carolina rules governing public swimming pools 15A NCAC 18A .2514 requirements.

Our material is tested and certified by independent laboratories. All data is given in good faith, however, we reserve the right to change products and specifications without notice.

1502 SW 2nd Place Pompano Beach, FL 33069 954.943.2288 Fax 954.943.2402



Pool, Spa & Fountain Finishes

DIAMOND BRITE Exposed Aggregate Pool Finish

TECHNICAL DATA APPLICABLE STANDARDS ASTM International (ASTM) ANSI American National Standard Institute (ANSI)

ASTM C 1028-07 standard test method for slip resistance.

Table with 3 columns: Diamond Brite (Dry Slip Resistance), Diamond Brite Color, Reading as lbf. Lists colors like Pearl, Marlin Blue, Classic, etc.

ANSI 118.7 standard test method for flexural strength (psi) modified.

Table with 2 columns: Diamond Brite, Reading as psi. Shows 720 for 28 days.

Standard test method for linear shrinkage (%)

Table with 2 columns: Diamond Brite, Reading as %. Shows 0.73 for Dry Finish (smooth trowel) and 0.86 for Dry Finish (exposed).

Standard test method for tensile adhesion to concrete (N/mm2)

Table with 2 columns: Diamond Brite, Reading as N/mm2. Shows 1.40 for NaCl 60° C Cycle and 0.80 for 28 day.

ASTM C 109 standard test method for compressive strength (psi) of hydraulic cement mortars.

Table with 2 columns: Diamond Brite, Reading as psi. Shows 2950 for 24 hours, 5750 for 7 days, 5970 for 14 days, and 6640 for 28 days.

Our material is tested and certified by independent laboratories. All data is given in good faith, however, we reserve the right to change products and specifications without notice.



CMD 25620-000-000 1.5/2" Hydrostat Valve

- The CMD 25620-000-000 is Custom Molded Products Cyclic Hydro Relief Valve (1.5 inch).
Part Number: 25620-000-000
Size: 1.5 inch or 2 inch
Manufactured by CMD
Type: Hydrostat Valve
Color: White

HAYWARD 1.5/2" MPT Slotted Collector Tube Product #: HAY-25-1516 | Mfg. Part #: SP1055PAK2



P-18 2" HYDRO RELIEF VALVE, CMD 25620-000-000
P-19 2" COLLECTOR TUBE, HAYWARD HAY-25-1516

ML300



The ML300 is a flanged mounted pool lift that is ideal for a wide range of pool applications.

- Third party tested & verified ADA compliant
Integrated armrests
State of California compliant
300 lb/36kg lifting capacity
Retrofit anchor jig is standard
Flange mounted with 4 anchor bolts
LiftOperator® Intelligent Controller
Powder-coated stainless steel and aluminum construction



Lift Color

GRAY HST

Due to printing technology actual color may differ.



New Construction Jig with Anchors 500-5000A

Table with 4 columns: Model No., Description, Weight, Height. Lists ML300 and ML300 no anchor models.

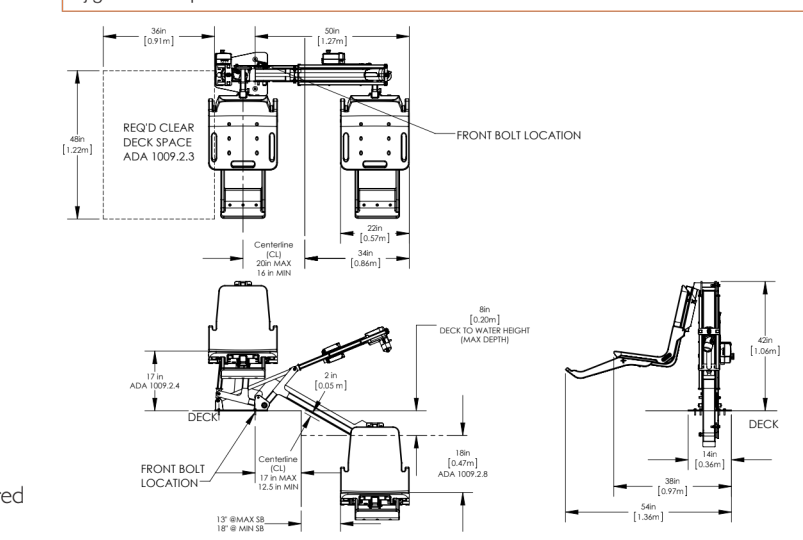
Note: Includes battery, charger, battery console cover, water-resistant hand control, footrest, seat belt assembly, armrests and retrofit anchor jig.

Parts & Accessories

- 1001495 Battery
300-6900 ML300 Anchor Kit for existing deck
500-5200 Cover
300-6700A Anchors, set of 4
300-6800A Anchor Bolts, set of 4
900-1000 Seat Belt
970-5000 Seat Saver Cover
900-6000 Stability Strap
170-3000A Armrest Replacement (pair)

New Construction Guidelines

Table with 3 columns: Scenario, Pool Lift, Anchor Jig. Shows order pool lift and new construction jig at same time.



A completed Deck Profile form is required with your pool lift order.



srsmith.com / 800.824.4387 Copyright © 2016, S.R. Smith, LLC. All rights reserved. For the latest version of this document, see srsmith.com 0019

ADA-1 ADA POOL LIFT S.R. SMITH ML-300

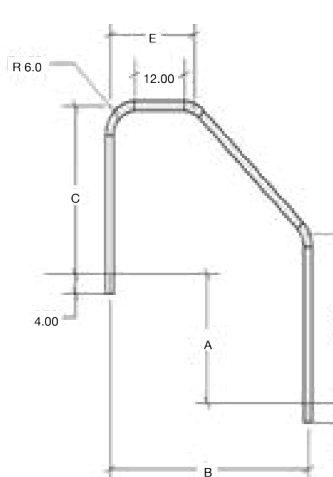
P-17 DIAMOND BRITE, Exposed Aggregate Pool Finish Color: "BLUE QUARTZ" by SGM Inc.

ADA 3-Bend Stair Rails



- Tubing: 1.90" OD
Wall Thickness: .065"
Stainless Steel: 304 or 316L Marine Grade* (add -MG to part number)
Bends: 6" Radius
Options: Powder-coating and SealedSteel Salt Friendly available
Recommended anchors: AS-100B (order separately)
Recommended escutcheon: EP-100F (order separately)
Minimum requirement for salt pools is 316L Marine Grade

Table with 10 columns: Model No., Description, A, B, C, D, E, Weight, Length, Width, Height. Lists various rail models like 3HR-4ADA, 3HR-5ADA, etc.



www.srsmith.com / 800.824.4387 Copyright © 2016, S.R. Smith, LLC. All rights reserved. For the latest version of this document, see srsmith.com

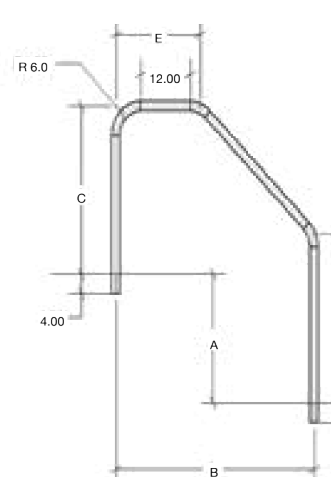
R-1 STAIR RAIL, 60" MARINE GRADE ADA 3-BEND S.R. SMITH 3HR5ADA-MG

ADA 3-Bend Stair Rails



- Tubing: 1.90" OD
Wall Thickness: .065"
Stainless Steel: 304 or 316L Marine Grade* (add -MG to part number)
Bends: 6" Radius
Options: Powder-coating and SealedSteel Salt Friendly available
Recommended anchors: AS-100B (order separately)
Recommended escutcheon: EP-100F (order separately)
Minimum requirement for salt pools is 316L Marine Grade

Table with 10 columns: Model No., Description, A, B, C, D, E, Weight, Length, Width, Height. Lists various rail models like 3HR-4ADA, 3HR-5ADA, etc.



www.srsmith.com / 800.824.4387 Copyright © 2016, S.R. Smith, LLC. All rights reserved. For the latest version of this document, see srsmith.com

R-2 STAIR RAIL, 84" MARINE GRADE ADA 3-BEND S.R. SMITH 7HR4ADA-MG

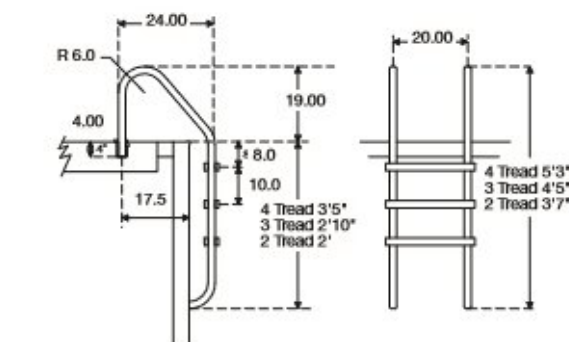
Economy Ladder



- Tubing: 1.90" OD
Stainless Steel: 304 or 316L Marine Grade* (add -MG to part number)
Treads: LTDF-101 Plastic (Econoline) or LTDF-103 Stainless Steel (Elite)
Bends: 6" Radius
Options: Powder-coating and SealedSteel Salt Friendly available
Recommended anchors: AS-100B (order separately)
Recommended escutcheon: EP-100F (order separately)
Minimum requirement for salt pools is 316L Marine Grade

Table with 6 columns: Economy, Shipping Weight, Elite, Shipping Weight, Description, Length, Width, Height. Lists VLLS-102E, VLLS-103E, VLLS-104E models.

Note: For stock powder-coated products, see page 72. For stock SealedSteel Salt Friendly products, see page 73. Frames extend 6 1/2" from the pool wall. Frame is secured to the pool deck with two anchor sockets on 20" centers (Elite model) or 19" centers (Econoline model). The lower end of the frame is bent to meet the pool wall and fitted with two white rubber bumpers (VRSB-100A). For safety steps substitute the letter "T" at end of part number. For example, VLLS-102T for a two-step safety ladder.



R-3 POOL LADDER S.R. SMITH VLLS-103S-MG

UCL Pool LED Color 12V/100 ft. (Expert Line)



Item #LPCUS11100 Write a Review

EXPERT LINE® products are only available through your local professional.

Universal ColorLogic® color LED lighting will transform your outdoor environments. They're the only UL-Listed lights to retrofit virtually any existing pool and spa with vibrant color - even those with just one light. 100% brighter* than any on the market, these energy-efficient, lights deliver spectacular color to pools with a single incandescent light or pools with colored finishes, and breakthrough cost savings and installation versatility for new pools, spas and fountains.

- UL-Listed for installation in virtually any pool or spa niche
100% brighter* than any color LED light on the market
Use up to 86% less energy than incandescent lights and last 10x longer
10 fixed colors and seven color-changing shows
Can be installed in a little as 4 inches below the waterline, and on the wall or the floor without a rock guard
12V, 2-wire, all plastic design with no exposed metal and no GFCI for safe installation
Programmable to match ColorLogic 4.0 or Pentair® SAM® light shows
Available in 30, 50, 100 and 150-foot cord lengths
Available in Stand-Alone or Network
Low-profile UCL Niche provides incredible installation savings for new construction
Retrofit transformer kits available for easy high-to-low-voltage J-Box conversion
300-watt transformer available for multi-light installations
Ships with smooth white and silver luster starburst trim rings. Additional rings are also available in faux chrome, black, beige, and gray
101 colors and 11 color-changing shows available in Network mode when used with Pro Logic®

L-1 UNIVERSAL COLOR LOGIC, 12V LED HAYWARD LPCUS1110

General Contractor: Raleigh Pools, LLC Matthew Nuss, Project Manager mobile (919) 610-8658 matthew.raleighpools@gmail.com 1400 Smith Reno Road Raleigh, NC 27603

BARTLETT ENGINEERING & SURVEYING, PC V (252) 398-0724 F (252) 398-0804 www.bartlett.com

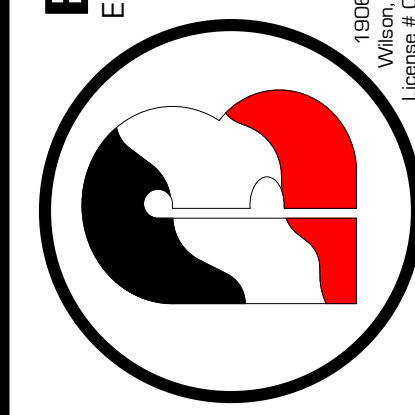


Table with 4 columns: Title Sheet, Description, Date, Rev. Lists equipment specifications.

Equipment Spec Sheets Swimming Pool Cape Overlook Lillington, NC Project: Mac Morgan Issue Date: 2-12-2025 Project Number: SP-7