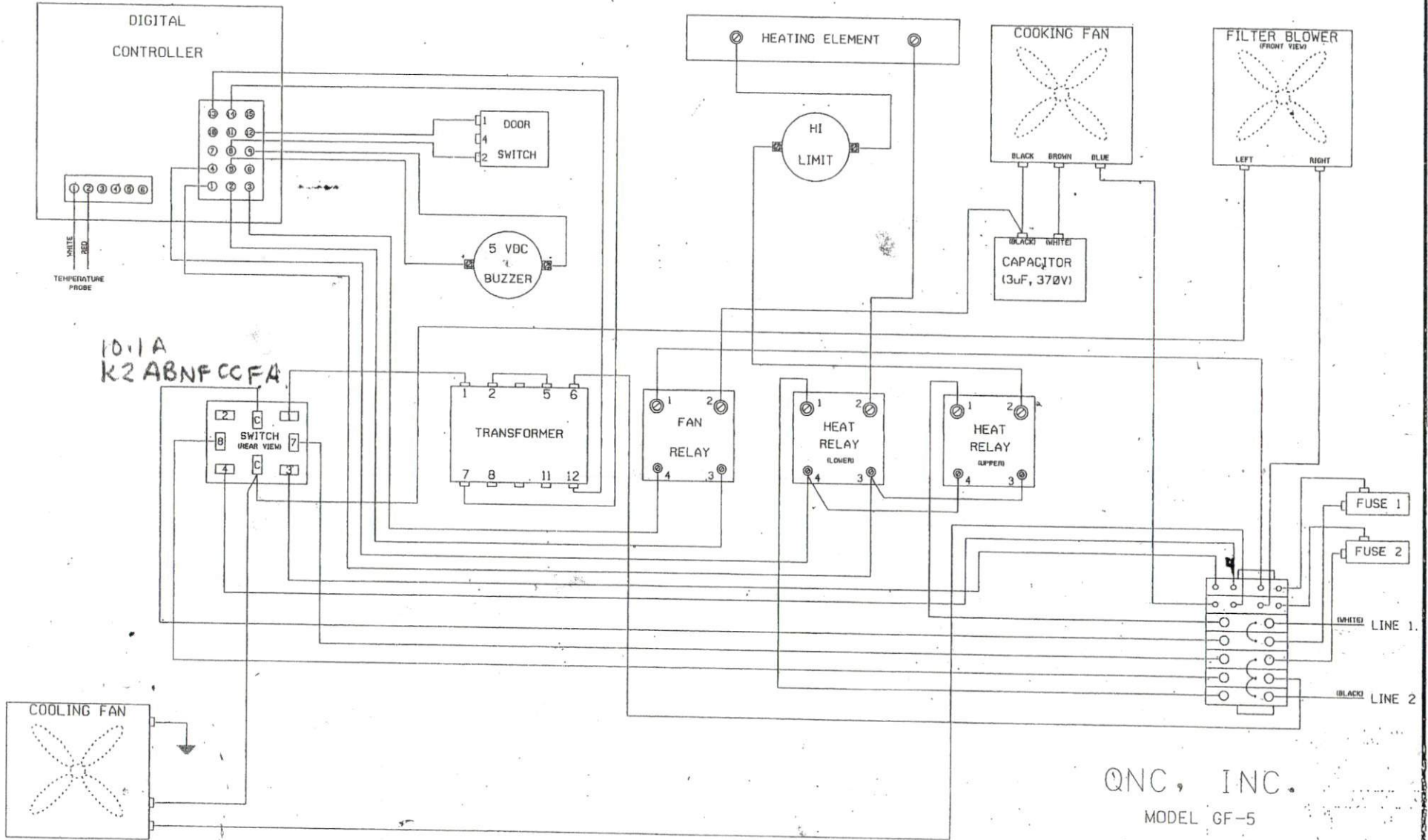


REV 000700  
 MOD GF-5

NOTES:

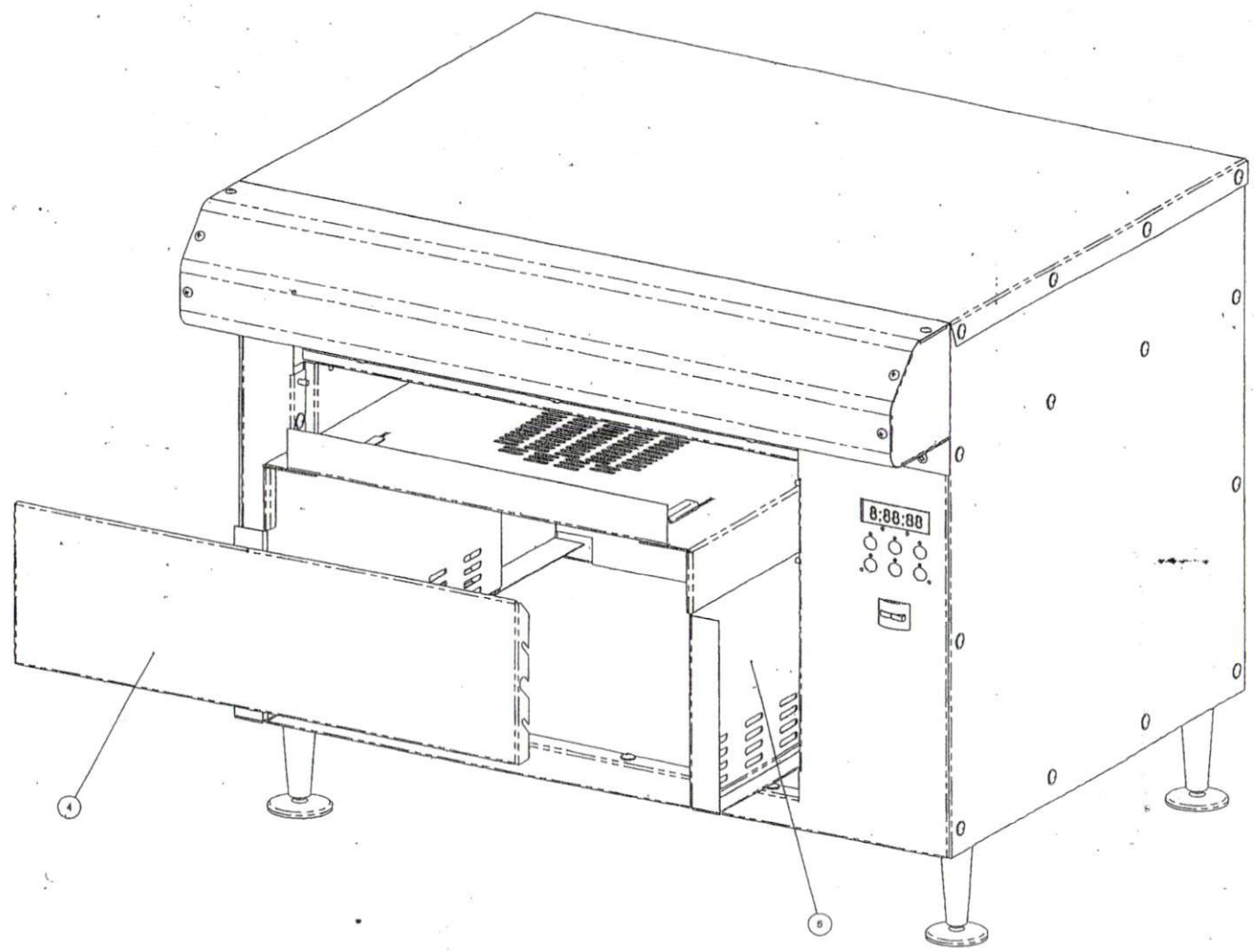



QNC, INC.  
 MODEL GF-5

DRAWN BY	L. DAGATE	SIZE	DWG NO.
DATE	05/01/03	B	240V, 60 Hz
SCALE		NONE	REVISION C
			SHEET 1 OF 1

THE INFORMATION CONTAINED IN THIS DRAWING IS THE SOLE PROPERTY OF TELEWORK CADD SERVICES, INC. ANY REPRODUCTION IN PART OR WHOLE WITHOUT THE WRITTEN PERMISSION OF TELEWORK CADD SERVICES IS PROHIBITED.

REV	DESCRIPTION	DATE	APPROVED
A	INITIAL RELEASE	02/09/23	DRF



  
Telework CADD Services, Inc.  
13351 Floyd Circle  
Dallas, Texas 75243  
972-669-8866 - fax 972-669-8019 - fax

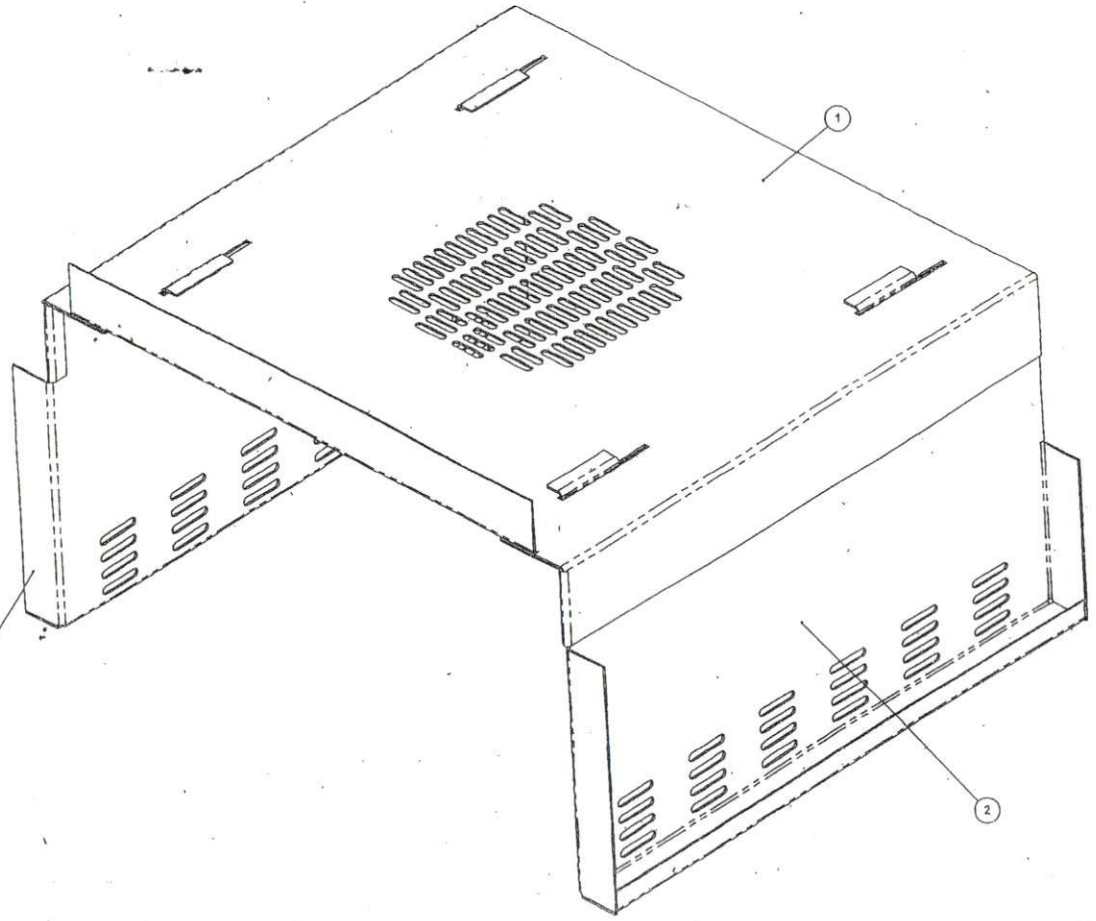
MAIN

REV	DESCRIPTION	DATE	APPROVED
A	INITIAL RELEASE	020923	DRF

THE INFORMATION CONTAINED IN THIS DRAWING IS THE SOLE PROPERTY OF TELEWORK CADD SERVICES, INC. ANY REPRODUCTION IN PART OR WHOLE WITHOUT THE WRITTEN PERMISSION OF TELEWORK CADD SERVICES IS PROHIBITED.

NOTES UNLESS OTHERWISE SPECIFIED:

1.



ITEM NO.	QTY.	PART NO.	DESCRIPTION
1	1	1063-0020	AIR PLENUM RIGHT SIDE
2	1	1063-0021	AIR PLENUM RIGHT SIDE
3	1	1063-0022	AIR PLENUM LEFT SIDE

CHECK DIMENSIONS		UNLESS OTHERWISE SPECIFIED DIMENSIONS ARE IN INCHES DIMENSIONS APPLY AFTER BEARING	
2536	±.001	134	±.001
1117	±.001	330	±.001
303	±.001	221	±.001
1300	±.001	1800	±.001

APPROVAL	DATE
DESIGNED BY JKS	020923
CHECKED	
DATE	
APPROVED	


  

FINISH	NONE
PAINT	NONE
WELD ON	
APPROVED	

DATE	1/11/05
SCALE	1/1.5 CAD FILE NAME



Telework CADD Services, Inc.  
13351 Floyd Circle  
Dallas, Texas 75243  
972-669-3669 • 1-877-669-3015 • TX

**AIR PLENUM ASSEMBLY**

REV B PART NO. 1063-0002

SCALE 1/1.5 CAD FILE NAME 1063-0002