

8-29-24

HARNETT COUNTY ENVIRONMENTAL HEALTH

ATTN: CINDY PIERCE

420 MCKINNEY PKWY

LILLINGTON, NC 27546

PROJECT:

POWELL AMENITY CENTER & POOL

212 PERSEUS STREET

ANGIER, NC 27501

PROJECT CONTACT:

D.CLUGSTON INC. – JOEY DAVIS

2506 RELIANCE AVE.

APEX, NC 27539

828-712-6004

joey@dclugston.com

**HARNETT COUNTY PLAN REVIEW APPLICATION
SWIMMING POOLS**

Review for Compliance with NC Rules Governing the Public Swimming Pools (15A NCAC 18A .2500)

All items are to be submitted through the Central Permitting Office at 420 McKinney Pkwy., Lillington, NC 27546 or by mail at PO Box 65, Lillington, NC 27546. You may contact the Central Permitting Office at 910-893-7525, Ext. 2. However, please contact our office with questions regarding the contents of this application.

A plan review fee of \$300.00 must be paid when plans are submitted.

If you have questions, please contact a Registered Environmental Health Specialist at 910-893-7547.

Two set of plans must be submitted with the following supporting documentation:

- Plans must show pool, deck, fencing, and any other appurtenant buildings.
- Plans must include drawings showing the placement of equipment in the facility, including any equipment rooms, chemical storage rooms, toilets and bathing facilities, dressing rooms, along with plumbing, electrical, and mechanical and lighting details.
- Piping schematic showing piping, pipe size, inlets, main drains, skimmers, gutter outlets, vacuum fittings and all other appurtenances connected to the pool piping system.
- Specifications of all treatment equipment used and their layout in the equipment room, include equipment cut sheets.
- Plans must include a site plan locating exterior equipment such as dumpsters or compactors, and indicating the proposed connections to approved sewer and water connections and backwash water disposal.
- Plans shall be drawn to not less than one eighth inch to the foot scale.
- A completed "Pool Drain Safety Compliance Data" Form Revised 4/1/2022
- A \$300.00 Plan Review Fee

N.C. Department of Health and Human Services
Division of Public Health
Environmental Health Section

APPLICATION FOR PUBLIC SWIMMING POOL OPERATION PERMIT

POOL INFORMATION:

Name of public swimming pool: Powell Amenity Center

Street address of pool location: 212 Perseus Street

City: Angier County: Harnett County

Type of public swimming pool: (check one) Swimming pool
 Wading pool
 Spa
 Other (describe) _____
Date constructed or remodeled: (check one) Before May 1, 1993
 May 1, 1993 or later

Dates of operation: opening date TBD closing date TBD

Hours of operation: opening time Dawn closing time Dusk

OWNER INFORMATION

Name of owner: Greenhawk Corporation, Inc

Mailing address: 1330 Sunday Dr. Suite 105 Raleigh, NC 27607

Contact person: Ben Glass Telephone: 703-541-8155

OPERATOR (On-Site Manager) INFORMATION:

Name of pool operator: (Temp) D.Clugston Inc. - Joey Davis (Future - TBD)

Address: 2506 Reliance Ave. Apex, NC 27539

Telephone Number: 828-712-6004

Pool operator trained by: TBD

(Certificate Number: _____)

Email: _____

APPLICATION SUBMITTED BY:

Owner or operator: Joey Davis Joey Davis - joey@dclugston.com
Signature *Typed or printed name*

Date: 08/27/2024

Purpose: General Statute 130A-282 requires the Commission for Public Health to adopt rules governing public swimming pools. The rules in 15A NCAC 18A .2500 require the owner or operator to apply annually for an operation permit for each public swimming pool. This form is to allow owners or operators of public swimming pools to apply for permits. Preparation: The information requested on this form is to be completed by the pool owner or a designated representative of the owner. **The completed application is submitted to the local health department for the county in which the public swimming pool is located.** A separate application must be completed for each public swimming pool. Copies: Original to be maintained at the local health department. Disposition: Please refer to Records Retention and Disposition Schedule 8.B.6., for County/District Health Departments which are published by the North Carolina Division of Archives & History.. Reorder: Additional forms may be ordered from: Environmental Health Section, 1632 Mail Service Center, Raleigh, NC 27699-1632. (Courier 52-01-00)



Powell Amenity Center
212 Perseus Street Angier, NC

August 27, 2024

To Whom It Concerns
Attn: Cindy Pierce
RE: Plan Review

See below for comment and response.

Dear Cindy,

I hope you are doing well. We are submitting these plans with the knowledge that some items are incorrect on the plans. Unfortunately, due to timing per the client, we are having to submit these plans without being given appropriate time to update and make corrections on the following items:

1. Circulation Main Drain Cover & Sump (9MF-101 w/ FBS-50-809-3)
 - a. Updated plans will reflect WAV12WR101 w/ FBS-50-812-4. Schedule, Main Pool Data Sheet & Pool Specifications will be updated to reflect this change as well.
2. Feature Main Drain Cover & Sump (1216101 w/ FBS-50-812-6)
 - a. Updated plans will reflect 1216101 w/ FBS-50-812-18-6. Schedule, Main Pool Data Sheet & Pool Specifications will be updated to reflect this change as well.
3. Circulation Main Drain Line on SP3.0.1.
 - a. There is a typo on the main drain line that states 2" when it should read 4".
4. Item # 16 – Pool Light (601108) 400W Equivalency Intellibrite White LED Light
 - a. This light wattage has become obsolete since plans were created. We will update this and then add the appropriate amount of lighting based on either 300W or 500W and update quantities and specifications.
5. Item # 21 – Feature Timer Button (RCS1)
 - a. This item will be updated to FF15MC (15 Min Timer)

Any other additional information found during your review will also be updated at that time.

Thank you for taking the time to review these plans.

Joey Davis
D. Clugston Inc.
828-712-6004

Pool Drain Safety Compliance Data
PERMIT CANNOT BE ISSUED IF FORM IS INCOMPLETE

A separate form is required for each pump including circulation, jet or feature.

Name of Pool Powell Amenity Center - Circulation Pump ID# _____

1. **Pump Flow**
Pump Manufacturer Pentair Model # WhisperFloXF VS Horsepower 5.1
Maximum Pump Flow at highest speed FROM PUMP CURVE: 290 gpm. Pump use: Circulation jet / feature (circle one)
Has pump been serviced (disconnected from power for any reason) or changed out in last 12 months? YES NO
Flow meter manufacturer Flow Vis Flow meter reading 190 GPM

2. **Drain Sump Measurements** Is drain cover sumpless? YES/NO
Sump manufacturer and model A.S.A. MFG (FBS-50-809-3) OR: Field built sump (circle if yes)
Diameter of pipe entering sump 4 3/4 inches. Pipe enters through BOTTOM SIDE of sump (Must circle one)
Distance between highest point of outlet pipe and top edge of sump 10.5 inches. Sump dimensions 9x9x12

3. **Drain Cover Data – MUST BE INSTALLED PER MANUFACTURER’S INSTRUCTIONS- Attach Instructions to form.**
Number of main drains on each pump 2 Distance between main drains (on centers) 3 feet 2 inches
Cover/grate manufacturer AquaStar, model 9MF-101, VGBA approval 2008 2017 (circle one)
Flow rating from instructions: 258 gpm Cover(s) located on pool Floor wall (circle one)
Date installed TBD Lifespan 5 Years EXPIRATION DATE TBD

4. **Equalizer Covers**
Number of operable skimmer equalizers N/A Have the equalizers been permanently disabled? YES NO
Equalizer fitting Manufacturer _____, Model _____, Lifespan _____
Bulkhead adaptor Manufacturer _____, Model _____, Date Installed _____
Diameter of equalizer pipe _____ Cover is located on (circle where mounted): Floor / wall
Equalizer fitting maximum flow rating _____ gpm.
Date equalizer cover/grates installed _____ EXPIRATION DATE: _____

5. **Safety Vacuum Release System (SVRS)** –Safety Vacuum Release System manufacturer/model# - N/A
You will be required to demonstrate effectiveness during permitting inspection. Date last tested _____

6. **Vacuum Line** Choose One
 No vacuum line in pool OR Protective cover on vacuum lines installed before May 1, 2010, OR
 Self-closing, self-latching cover designed to be opened with a tool on vacuum lines installed after May 1, 2010
Full name of person providing this information Joey Davis Phone number: 828-712-6004

Signature Joey Davis Date 08/27/2024

Pool Drain Safety Compliance Data
PERMIT CANNOT BE ISSUED IF FORM IS INCOMPLETE

A separate form is required for each pump including circulation, jet or feature.

Name of Pool Powell Amenity Center - Feature Pump ID# _____

1. **Pump Flow**
Pump Manufacturer Pentair Model # XFET-20 Horsepower 5.1
Maximum Pump Flow at highest speed FROM PUMP CURVE: 290 gpm. Pump use: Circulation / jet / feature (circle one)
Has pump been serviced (disconnected from power for any reason) or changed out in last 12 months? YES NO
Flow meter manufacturer Flow Vis Flow meter reading 210 GPM

2. **Drain Sump Measurements** Is drain cover sumpless? YES/NO
Sump manufacturer and model A.S.A MFG (FBS-50-812-4) OR: Field built sump (circle if yes)
Diameter of pipe entering sump 4 inches. Pipe enters through BOTTOM SIDE of sump (Must circle one)
Distance between highest point of outlet pipe and top edge of sump 10.5 inches. Sump dimensions 12x12x12

3. **Drain Cover Data – MUST BE INSTALLED PER MANUFACTURER'S INSTRUCTIONS- Attach Instructions to form.**
Number of main drains on each pump 2 Distance between main drains (on centers) 3 feet 2 inches
Cover/grate manufacturer AquaStar, model 1216101, VGBA approval 2008 / 2017 (circle one)
Flow rating from instructions: 400 gpm Cover(s) located on pool: Floor wall (circle one)
Date installed TBD Lifespan 5 Years EXPIRATION DATE TBD

4. **Equalizer Covers**
Number of operable skimmer equalizers N/A Have the equalizers been permanently disabled? YES NO
Equalizer fitting Manufacturer _____, Model _____, Lifespan _____
Bulkhead adaptor Manufacturer _____, Model _____, Date Installed _____
Diameter of equalizer pipe _____ Cover is located on (circle where mounted): Floor / wall
Equalizer fitting maximum flow rating _____ gpm.
Date equalizer cover/grates installed _____ EXPIRATION DATE: _____

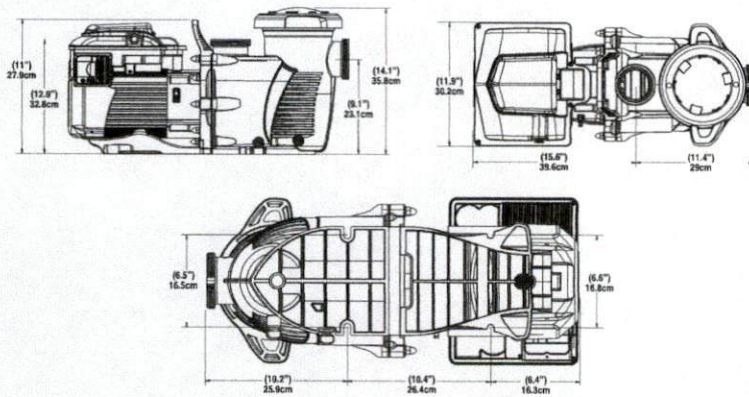
5. **Safety Vacuum Release System (SVRS)** –Safety Vacuum Release System manufacturer/model# - N/A
You will be required to demonstrate effectiveness during permitting inspection. Date last tested _____

6. **Vacuum Line** Choose One
Yes No vacuum line in pool OR _____ Protective cover on vacuum lines installed before May 1, 2010, OR
Self-closing, self-latching cover designed to be opened with a tool on vacuum lines installed after May 1, 2010

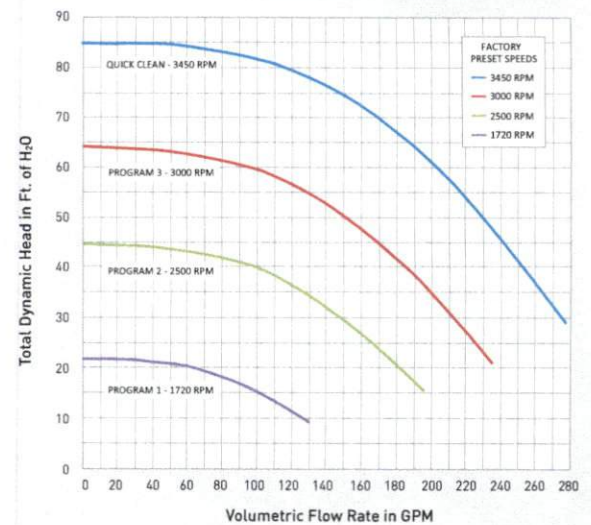
Full name of person providing this information Joey Davis Phone number: 828-712-6004

Signature Joey Davis Date 08/27/2024

WHISPERFLOXF VS COMMERCIAL PUMP



PERFORMANCE CURVES - WHISPERFLOXF VS COMMERCIAL PUMP



MATERIALS AND DESIGN

Pump Body

Volute type back pull out design for ease of working on impeller, diffuser and seal.

- Port Size
 - Inlet (suction): 2.5" union can be adapted to 3 inches.
 - Outlet (discharge): 2.5" union can be adapted to 3 inches.
- Material
 - 30% glass filled polypropylene materials.
 - 1/4" NPT thermoplastic drain plug of thumbscrew (no tool required) design on the strainer for winterizing.
- Impeller
 - Noryl glass filled PPO resin enclosed design for corrosion prevention and maximum flow efficiency.
 - Threaded brass with stainless steel locking screws.
- Diffuser
 - Glass filled noryl thermoplastic material with bronze impeller wear ring.
 - Hydraulic isolator design for maximum efficiency.
- Seal plate
 - Fiberglass reinforced modified PPE thermoplastic material.
- Mechanical Seal
 - Ceramic and carbon seal.
 - Stainless steel and EPDM materials
- Base
 - Fiberglass reinforced modified PPE thermoplastic with slotted holes for easy mounting.
- Gaskets
 - Buna N rubber compression resistant.
- Bolts, Nuts, and Washers
 - Stainless steel and brass with nickel plating.
- Corrosion Prevention
 - All thermoplastic pump body for maximum hydraulic performance, noise reduction and corrosion prevention.

Hair and Lint Strainer

- Basket
 - HDPE (polyethylene) basket colored white for easy debris removal.
 - Securely positioned below the suction inlet of the trap, with access for inspection and cleaning through the removable lid.
- Lid
 - Clear polycarbonate thermoplastic lid for easy view into the basket area.
- Lid Locking Ring
 - Cam and Ramp™ Lid and Locking Ring allow for quick and easy access to the basket.
 - O-ring seal

Motor

- Frame and Type
 - NEMA Rated 56 Frame totally enclosed fan-cooled construction.
 - Variable speed induction motor.
- Shaft
 - 300 series stainless steel construction.
- Thermal Overload Protection
 - Thermal overload protection provided by the integral motor control.
- Sealed Bearings
 - Lubricated, double sealed, stainless steel, single row ball bearings.

Electrical

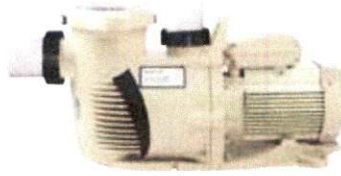
- 208-230/277-460V single-phase.
- 208-460V three-phase.
- 50/60Hz.
- WEF 5.0 THP 5.0.
- Single part number to cover all voltage ranges.

Pump Maximum Thermal Limits

- Ambient air temperature: 122° F (50° C).
- Liquid temperature: 104° F (40° C).

WHISPERFLOXF[®]

HIGH PERFORMANCE PUMP



KEY FEATURES

Cam and Ramp™ Lid

Makes inspection and cleaning simple and quick

Built-in handle

For easy installation

Union connectors

2.5" or 3" union connectors included

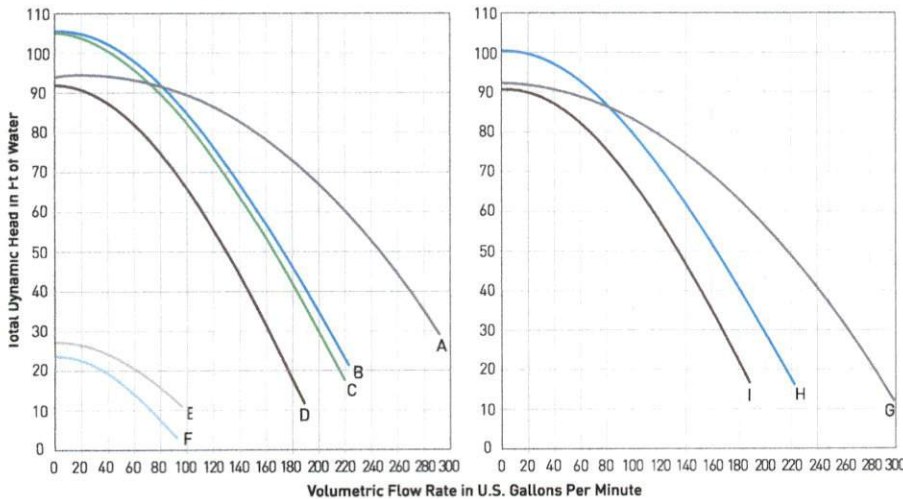
Oversized strainer basket

Extends time between cleanings

TEFC/Super-Duty motor options

Provide superior performance and longevity

PERFORMANCE CURVES



Performance Curve	Model	Description
A	XFE-20	5 HP, Single Speed Full Rated
A	XFET-20	5 HP, TEFC Super-Duty Single Speed
G	XFK-20	5 HP, 3-Phase, Super-Duty Motor
B	XFE-12	3 HP, Single Speed Full Rated
B, E	XFDS-12	3 HP, 2-Speed Full Rated
B	XFET-12	3 HP, TEFC Super-Duty Single Speed
H	XFK-12	3 HP, 3-Phase, Super-Duty Motor
C	XF-12	3 HP, Single Speed Full Rated
D	XFE-8	2 HP, Single Speed Full Rated
D	XFET-8	2 HP, TEFC Super-Duty Single Speed
D	XF-8	2 HP, Single Speed Full Rated
D, F	XFDS-8	2 HP, 2-Speed Full Rated
D	XFE-30	2.5 HP, Single Speed Up Rated
D	XF-30	2.5 HP, Single Speed Up Rated
D, F	XFDS-30	2.5 HP, 2-Speed, Up Rated
I	XFK-8	2 HP, 3-Phase, Super-Duty Motor

Pumps and replacement motors that are single speed and one (1) Total HP or greater cannot be sold, offered for sale, or installed in a residential pool for filtration use in California, Title 20 CCR sections 1601-1609.



1620 Hawkins Ave | Sanford, NC 27330 | United States | 800.831.7133 | pentair.com

All Pentair trademarks and logos are owned by Pentair plc. WhisperFloXF[®], WhisperFlo[®], Challenger[®] and Cam and Ramp™ are trademarks and/or registered trademarks of Pentair Water Pool and Spa, Inc. and/or its affiliated companies in the United States and/or other countries. Because we are continuously improving our products and services, Pentair reserves the right to change specifications without prior notice.

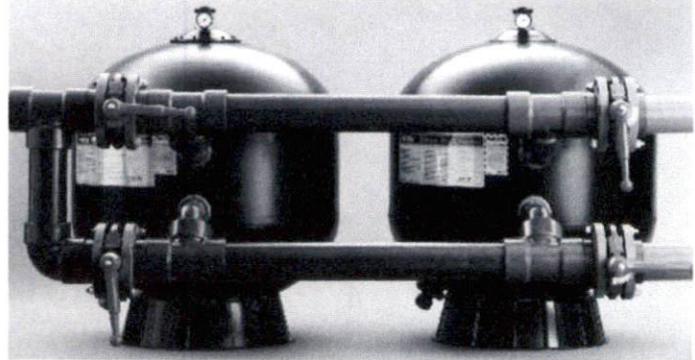
Pentair is an equal opportunity employer.

P1-108 2/19 ©2019 Pentair Water Pool and Spa, Inc. All rights reserved.

SCH 40 & 80 FOR TR100C, TR140C, TR100C-3 & TR140C-3 TANDEM FILTER PIPING KITS FOR 2 & 3 IN. FILTERS

These Tandem Filter Piping Kits are designed specifically for use with the Triton® TR100C, TR140C, Triton TR100C-3 and TR140C-3 Sand Filters to make the best even better.

We are providing this additional service for your convenient one-stop shopping. Pipe and filters are all you need.



Pipe is not included in kits.

Tandem Filter Piping Kits for Triton TR100C, TR140C, TR100C-3 and TR140C-3 Sand Filters

CALIFORNIA PROPOSITION 65 WARNING

⚠ **WARNING:** Cancer and Reproductive Harm.
 ⚠ **AVERTISSEMENT:** Peut Causer le Cancer et des Dommages au Système Reproducteur.
 ⚠ **ADVERTENCIA:** Cáncer y Daño Reproductivo.
www.p65warnings.ca.gov 19 2007-4

Ordering Information

Product	Model
For Plumbing Two TR100C or TR140C Filters	
146400	3 in. Two filter kit, SCH 40 (200 GPM)
146402	4 in. Two filter kit, SCH 40 (300 GPM)
146404	6 in. Two filter kit, SCH 40 (700 GPM)
146403	4 in. Two filter kit, SCH 80 (300 GPM)
146405	6 in. Two filter kit, SCH 80 (700 GPM)
For Plumbing Two TR100C-3 or TR140C-3 Filters	
147400	3 in. Two filter kit, SCH 40 (200 GPM)
147402	4 in. Two filter kit, SCH 40 (300 GPM)
147404	6 in. Two filter kit, SCH 40 (700 GPM)
147401	3 in. Two filter kit, SCH 80 (200 GPM)
147403	4 in. Two filter kit, SCH 80 (300 GPM)
147405	6 in. Two filter kit, SCH 80 (700 GPM)

Product	Model
Adder Kits for TR100C and TR140C Filters ¹	
146406	4 in. Single filter kit, SCH 40
146408	6 in. Single filter kit, SCH 40
146407	4 in. Single filter kit, SCH 80
146409	6 in. Single filter kit, SCH 80
Adder Kits for TR100C-3 and TR140C-3 Filters	
147406	4 in. Single filter kit, SCH 40
147408	6 in. Single filter kit, SCH 40
147407	4 in. Single filter kit, SCH 80
147409	6 in. Single filter kit, SCH 80

Note: All kits include hardware, fittings, gaskets.

Note: All kits include hardware, fittings, gaskets and butterfly valves.

Filters	Filter Area Sq. Ft.	Manifold Pipe Dia.	Filter Rate Sq. Ft.		Turnover Capacity		
			15 GPM	20 GPM	6 Hours	8 Hours	10 Hours
TANDEM TRITON 140C FILTER INSTALLATION							
6 TR 140's	42.36	6 in.	635	—	228,600	304,800	381,000
		8 in.	—	847	304,920	406,560	508,200
7 TR 140's	49.42	6 in.	741	—	266,760	355,680	444,600
		8 in.	—	988	355,680	474,240	592,800
8 TR 140's	56.48	8 in.	847	—	304,920	406,560	508,200
		8 in.	—	1130	406,800	542,400	678,000

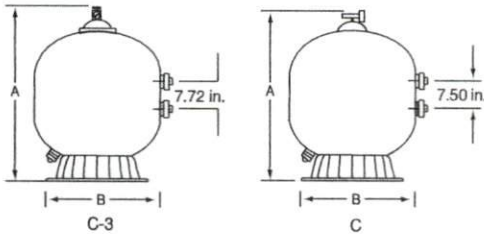
TRITON® C SERIES COMMERCIAL SAND FILTERS

TRITON HD FILTER

The Triton heavy duty (HD) filter is a thirty-inch fiberglass filter that offers a maximum operating pressure of 75 PSI. This filter is specifically designed for special high-pressure commercial applications that require up to 98 gpm, and is ideal for all heavy-duty commercial applications.

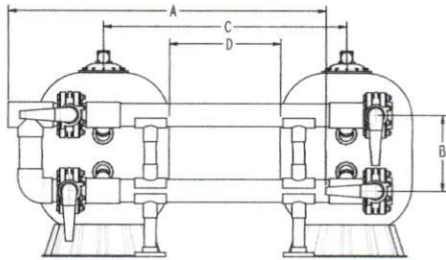


TR100 HD



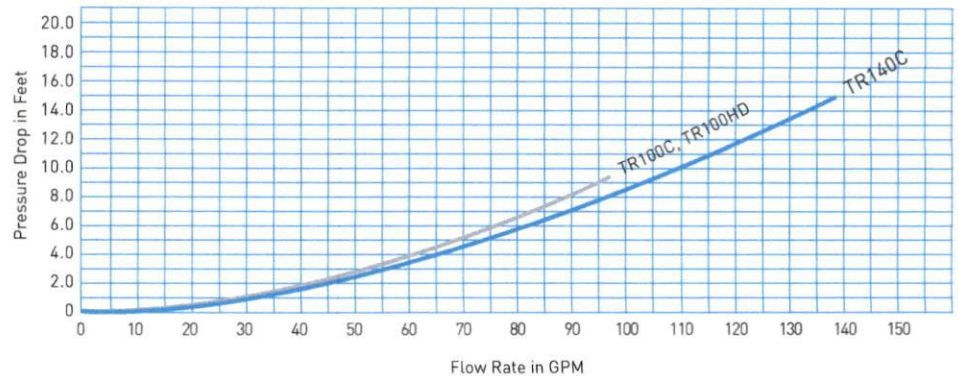
Triton Commercial Series Sand Filter Specifications								
Model Number	Filter Area Sq. Ft.	Flow Rate	Turnover Capacity Gallons		Dimension		Media Required	
		15 GPM/sq. ft.*	6 Hours	8 Hours	A	B	Sand	Sand/Gravel
TR100C	4.91	74	26,640	35,520	39 3/4"	30 1/2"	600 lbs.	450 lbs./150 lbs.
TR140C	7.06	106	38,160	50,880	45 1/2"	36 1/2"	925 lbs.	650 lbs./275 lbs.
TR100C-3	4.91	74	26,640	35,520	39 3/4"	30 1/2"	600 lbs.	450 lbs./150 lbs.
TR140C-3	7.06	106	38,160	50,880	45 1/2"	36 1/2"	925 lbs.	650 lbs./275 lbs.

*15 GPM/sq. ft. typical commercial flow rate.



Two Filter System	A	B	C	D	Total Wt.
3" —TR100C	82 3/4"	17 5/8"	48" Min.	18" Min.	2,300 lbs.
3" —TR140C	88 3/4"	17 5/8"	54" Min.	18" Min.	3,200 lbs.
4" —TR140C	95 3/4"	19 3/4"	54" Min.	18" Min.	2,300 lbs.
6" —TR140C	111 3/4"	24 7/8"	54" Min.	18" Min.	3,550 lbs.

Note: 6" piping needs to be rotated upward as shown at 25° so handle will clear the floor.



1620 HAWKINS AVE, SANFORD, NC 27330 800.831.7133 WWW.PENTAIRCOMMERCIAL.COM

All Pentair trademarks and logos are owned by Pentair, Inc. Triton® is a registered trademark of Pentair Water Pool and Spa, Inc. and/or its affiliated companies in the United States and/or other countries. Because we are continuously improving our products and services, Pentair reserves the right to change specifications without prior notice. Pentair is an equal opportunity employer.



WHEN ACCURACY IS CRITICAL, DON'T JUST TAKE OUR WORD FOR IT!



NSF - 50 CERTIFIED
L1

FlowVis® was the first - and is now the most - NSF 50 certified flow meter in the world! Because when accuracy matters, you should put your trust in the experts.

FLOWVIS® MODELS

Feature	FV-15	FV-15-U	FV-2	FV-2-U	FV-25	FV-3	FV-3-40	FV-4	FV-6	FV-8
NSF 50 Certified	✓	✓	✓	✓	✓	✓	✓	✓	✓	-
Pipe Size	1.5"	1.5"	2"	2"	2.5"	3"	3"	4"	6"	8"
Operating Range (GPM)	10-80	10-90	10-110	10-110	10-110	70-240	70-240	150-460	300-1000	600-1800
Average Accuracy	98.7%	98.7%	99.4%	99.0%	99.2%	98.9%	99.2%	99.6%	98.1%	N/A*
NSF 50 Level	L1	L1	L1	L1	L1	L1	L1	L1	L1	L1

*FlowVis® model FV-8 is available only with FlowVis® Digital upgrade included. For accuracy of this model, refer to the FV-8 information in the FlowVis Digital table below.

FLOWVIS® DIGITAL MODELS

Feature	FV-15	FV-15-U	FV-2	FV-2-U	FV-25	FV-3	FV-3-40	FV-4	FV-6	FV-8
NSF 50 Certified	✓	✓	✓	✓	✓	✓	✓	✓	✓	✓
Pipe Size	1.5"	1.5"	2"	2"	2.5"	3"	3"	4"	6"	8"
Operating Range (GPM)	10-80	10-90	10-110	10-110	10-110	70-240	70-240	150-460	300-1000	600-1800
Average Accuracy	98.6%	99.0%	98.8%	98.5%	98.3%	98.4%	98.0%	98.3%	98.9%	98.9%
NSF 50 Level	L1	L1	L1	L1	L1	L1	L1	L2	L1	L1

NOTE: FlowVis is the only NSF 50 certified Level 1 flow meter in the world today.

Guide for NSF 50 Accuracy Levels

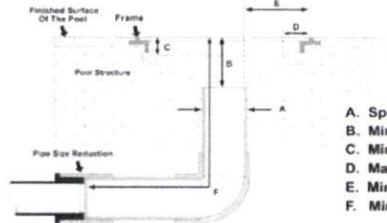
- Level 1 (L1):** Average of absolute values of all single point deviations must be $\leq 2\%$. Single point deviations shall not exceed $\pm 4\%$.
- Level 2 (L2):** Average of absolute values of all single point deviations must be $\leq 5\%$. Single point deviations shall not exceed $\pm 7.5\%$.
- Level 3 (L3):** Average of absolute values of all single point deviations must be $\leq 10\%$. Single point deviations shall not exceed $\pm 12.5\%$.
- Level 4 (L4):** Average of absolute values of all single point deviations must be $\leq 12.5\%$. Single point deviations shall not exceed $\pm 15\%$.
- Level 5 (L5):** Average of absolute values of all single point deviations must be $\leq 15\%$. Single point deviations shall not exceed $\pm 20\%$.

DIRECTIONS: Please follow the SOFA specific flow rates, sump specifications, and flow path zone information below. The installation must conform to these minimum/maximum requirements including the SOFA dimension defined in Figure 1. The flow path zone is defined by dimensions A through E. The installed sump may be manufactured or field-built and it may be larger/deeper than Figure 1. Please write the Cover Model Number, orientation, and SOFA Model Flow Rating on the **VGBA DRAIN COVER IDENTIFICATION INFORMATION** label that comes with each AquaStar Pool Products, Inc. drain cover.

Cover Model Number:
914xxx



FIGURE 1 – SOFA MODEL & FLOW PATH



- A. Specified PVC Pipe Size
- B. Minimum Sump Depth
- C. Minimum Ledge Depth
- D. Maximum Ledge Width
- E. Minimum Pipe Offset
- F. Minimum Length Before Reduction

FOR MOST CURRENT INFORMATION
SCAN THE QR CODE OR VISIT
WWW.AQUASTARPOOLPRODUCTS.COM/FLOWCODE
PRINTED DOCUMENTS MAY NOT HAVE THE MOST CURRENT FLOW
RATINGS OR INSTALLATION OPTIONS.

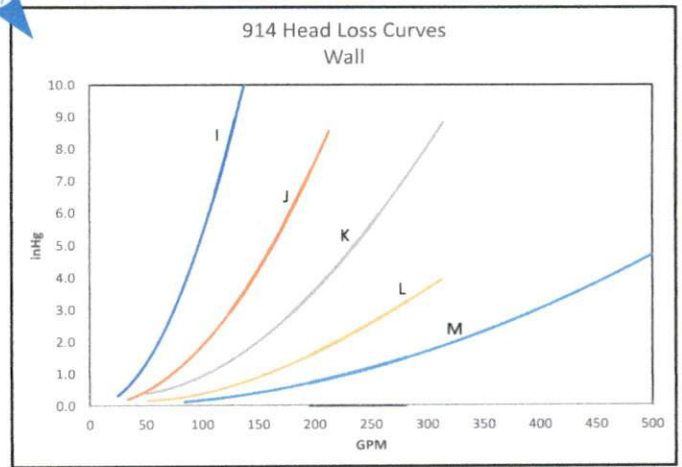
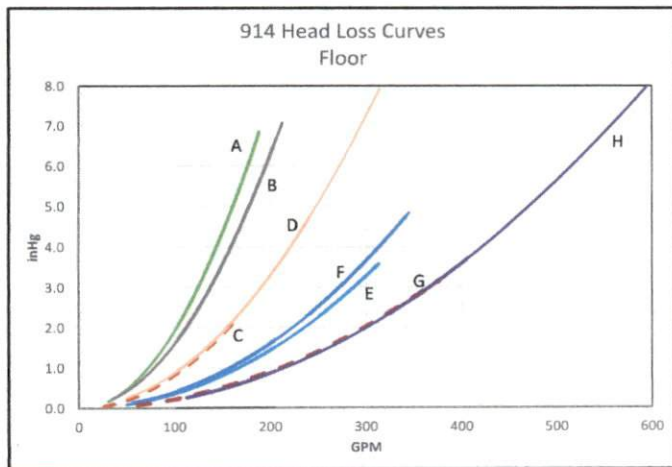


SOFA Model No.	Pipe Size (Nominal)	Pipe Depth (Minimum)	Orientation (Wall / Floor)	Flow Rating (GPM)	Head Loss Curve
914-8f_A-2s_B1.6_C0.4_D0.5_E2.4_F16	2" (s)	1.6"	Floor (f)	150	A
914-9f_A-2b_B3_C1.6_D0.5_E2.8_F16	2" (b)	3"	Floor (f)	170	B
914-9f_A-2,1.5b_B0_C1.6_D0.5_E2.8_F16	2" + 1.5" (b)	0"	Floor (f)	130	C
914-9f_A-2.5b_B3_C1.6_D0.5_E2.6_F16	2.5" (b)	3"	Floor (f)	250	D
914-9f_A-3b_B3_C1.6_D0.5_E2.5_F16	3" (b)	3"	Floor (f)	250	E
914-10f_A-3s_B5.6_C1.6_D0.5_E1.7_F16 [Sump P/N 9-3SB]	3" (s)	5.6"	Floor (f)	275	F
914-9f_A-4s_B5.6_C1.6_D0.5_E1.7_F16 [Sump P/N 9-3SB]	4" (s)	5.6"	Floor (f)	300	G
914-9f_A-4b_B9.8_C1.6_D0.5_E1.8_F16 [Sump P/N 9-4SB]	4" (b)	9.8"	Floor (f)	560	H
914-9w_A-1.5b_B3_C1.6_D0.5_E1.6_F16	1.5" (b)	3"	Wall (w)	126	I
914-9w_A-2b_B3_C1.6_D0.5_E2.8_F16	2" (b)	3"	Wall (w)	170	J
914-9w_A-2.5b_B3_C1.6_D0.5_E2.6_F16	2.5" (b)	3"	Wall (w)	250	K
914-9w_A-3b_B3_C1.6_D0.5_E2.5_F16	3" (b)	3"	Wall (w)	250	L
914-9w_A-4b_B9.8_C1.6_D0.5_E1.8_F16 [Sump P/N 9-4SB]	4" (b)	9.8"	Wall (w)	430	M

Note 1: "SOFA Model No" nomenclature; bottom pipe = (b), side pipe = (s). See Fig 1 for capital letters A through E

Note 2: Head loss inHg is measured 16 to 24 inches from the finish surface of the pool. Reference Fig 1 dimension F.

Note 3: [Sump P/N 9-xSB] are the part numbers marked inside these manufactured Sump Buckets. Use of these sumps is not required. Installing 914xxx covers on field-built sumps is permitted. To order 914xxx product with these sumps, please see the catalog or visit www.aquastarpoolproducts.com.

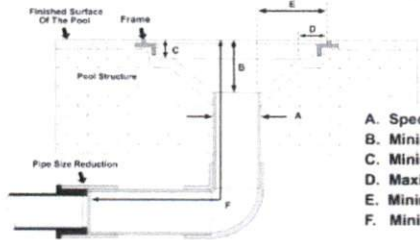


DIRECTIONS: Please follow the SOFA specific flow rates, sump specifications, and flow path zone information below. The installation must conform to these minimum/maximum requirements including the SOFA dimension defined in Figure 1. The flow path zone is defined by dimensions A through E. The installed sump may be manufactured or field-built and it may be larger/deeper than Figure 1. Please write the Cover Model Number, orientation, and SOFA Model Flow Rating on the *VGBA DRAIN COVER IDENTIFICATION INFORMATION* label that comes with each AquaStar Pool Products, Inc. drain cover.

Cover Model Number:
1216xxx



FIGURE 1 – SOFA MODEL & FLOW PATH



- A. Specified PVC Pipe Size
- B. Minimum Sump Depth
- C. Minimum Ledge Depth
- D. Maximum Ledge Width
- E. Minimum Pipe Offset
- F. Minimum Length Before Reduction

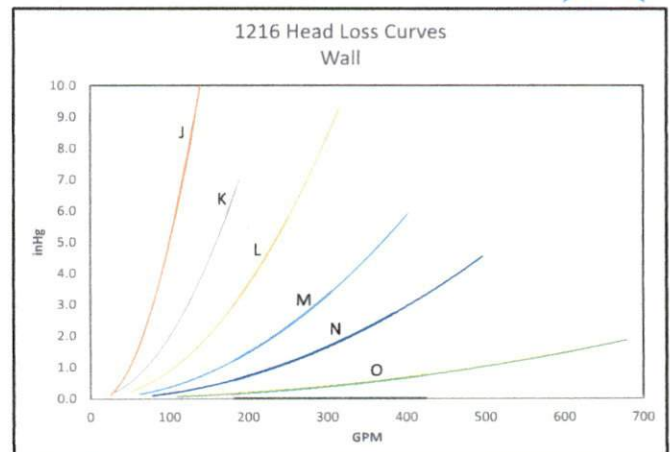
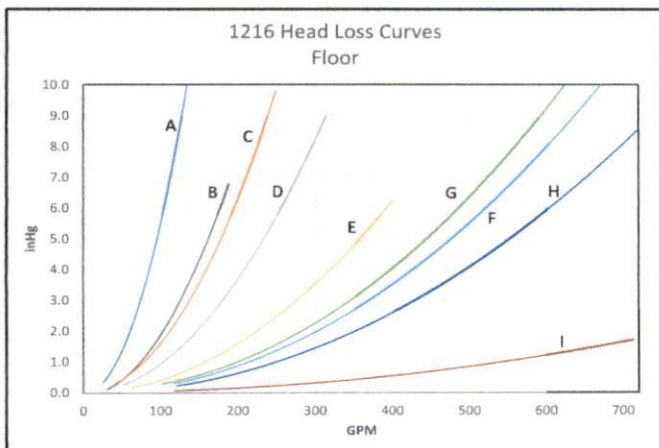
FOR MOST CURRENT INFORMATION
SCAN THE QR CODE OR VISIT
WWW.AQUASTARPOOLPRODUCTS.COM/FLOWCODE
PRINTED DOCUMENTS MAY NOT HAVE THE MOST CURRENT FLOW RATING OR INSTALLATION OPTIONS.



SOFA Model No.	Pipe Size (Nominal)	Pipe Depth (Minimum)	Orientation (Wall / Floor)	Flow Rating (GPM)	Head Loss Curve
1216-12f_A-1.5b_B3_C0.3_D0.7_E3.5_F16	1.5" (b)	3"	Floor (f)	126	A
1216-8f_A-2s_B1.6_C0.4_D0.5_E2.4_F16	2" (s)	1.6"	Floor (f)	150	B
1216-9f_A-2b_B3_C1.6_D0.5_E2.8_F16	2" (b)	3"	Floor (f)	200	C
1216-8f_A-2.5b_B3_C0.4_D0.4_E2.3_F16	2.5" (b)	3"	Floor (f)	250	D
1216-9f_A-3b_B3_C1.6_D0.5_E2.5_F16	3" (b)	3"	Floor (f)	320	E
1216-9f_A-4b_B9.8_C1.6_D0.5_E1.8_F16	4" (b)	9.8"	Floor (f)	584	F
1216-12f_A-4s_B6_C0.3_D0.7_E3_F16	[Sump P/N 12-3SB] 4" (s)	6"	Floor (f)	500	G
1216-12f_A-4s,2.5b_B6_C0.3_D0.7_E3_F16	[Sump P/N 12-3SB] 4"(s), 2.5" (b)	6"	Floor (f)	626	H
1216-12f_A-6b_B10.5_C0.3_D0.7_E3_F16	[Sump P/N 12-6SB] 6" (b)	10.5"	Floor (f)	720	I
1216-12w_A-1.5b_B3_C0.3_D0.7_E3.5_F16	1.5" (b)	3"	Wall (w)	126	J
1216-12w_A-2b_B3_C0.3_D0.7_E3.5_F16	2" (b)	3"	Wall (w)	150	K
1216-12w_A-2.5b_B3_C0.3_D0.7_E4.7_F16	2.5" (b)	3"	Wall (w)	250	L
1216-12w_A-3b_B3_C0.3_D0.7_E4.2_F16	3" (b)	3"	Wall (w)	320	M
1216-9w_A-4b_B9.8_C1.6_D0.5_E1.8_F16	4" (b)	9.8"	Wall (w)	400	N
1216-12w_A-6b_B10.5_C0.3_D0.7_E3_F16	[Sump P/N 12-6SB] 6" (b)	10.5"	Wall (w)	540	O

Note 1: "SOFA Model No" nomenclature; bottom pipe = (b), sde pipe = (s). See Fig 1 for capital letters A through E

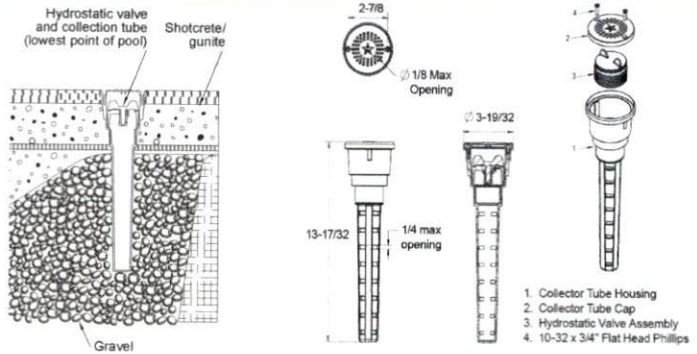
Note 2: Head loss inHg is measured 16 to 24 inches from the finish surface of the pool. Reference Fig 1 dimension F.



Self-Contained Hydrostatic Valve Assembly



Part # HVCxxx



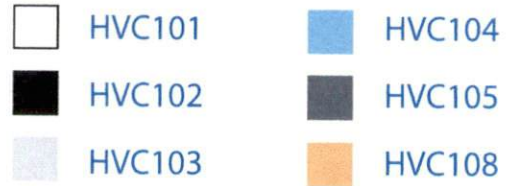
FEATURES

- Self-contained unit has a built-in collector tube
- Installs directly into the pool finish with no additional plumbing connection required
- Helps prevent swimming pool damage due to hydrostatic pressure beneath the pool shell when the pool is drained

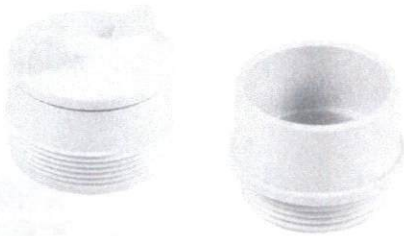
12 per case

HVC05xxx – Cap and Screws

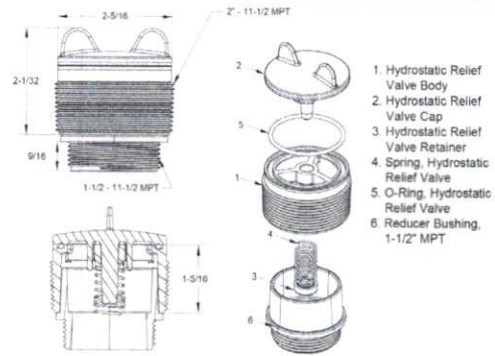
STANDARD COLORS



2" Hydrostatic Relief Valve



Part # HVxxx

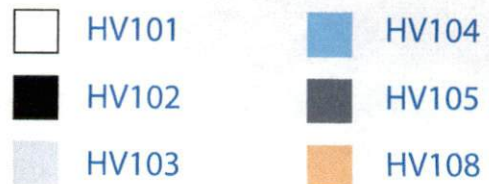


FEATURES

- Equalizes pressure for high water tables
- Fins enable easy twist for installation and removal
- Fits any AquaStar and most other manufacturers' 2" threads
- Manufactured from superior UV-resistant engineered polymers
- Includes 2" x 1 1/2" reducer bushing
- Reducer bushing must be glued into hydrostatic relief valve using ABS glue

25 per case

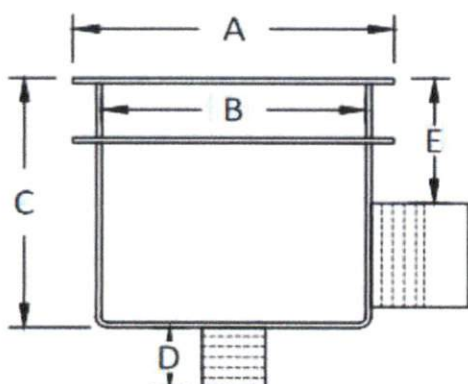
STANDARD COLORS



Fiberglass Field Built Sumps



- * Premium fiberglass & resin for maximum structural strength
- * Durable smooth gelcoat interior & pebble pipe
- * Exterior perimeter FRP waterstop flange
- * Non-Metallic- No grounding
- * Rough sand exterior finish
- * Custom configurations fabricated
- * 2" Bottom fpt.x fpt for hydro relief valve
- * Threaded PVC SCH 40 pressure test plug for outlet (up to 8")
- * All PVC connections are ASTM 2466 compliant
- * Designed to ANSI/APSP/ICC-16 2017 for use only with noted SOFA (Suction Outlet Fitting Assembly) Covers



Field Built Sump Product Dimensions (Inches)							SCH40 Outlet fpt x soc	SOFA List
Size (Inches)	ASA Part #	A	B	C	D	E		
9 x 9 x 12	FBS-50-809-3	11"	9"	12"	4.5"	6.5"	3"	A
12 x 12 x 12	FBS-50-812-4	14"	12"	12"	4.5"	6.5"	4"	B1
12 x 12 x 18	FBS-50-812-18-6	14"	12"	18"	4.5"	10"	6"	B2
18 x 18 x 20	FBS-50-818-6	20"	18"	20"	4.5"	10"	6"	C
18 x 18 x 24	FBS-50-818-24-8	20"	18"	24"	4.5"	13.5"	8"	D
24 x 24 x 30	FBS-50-824-30-10	26"	24"	30"	4.5"	17"	10" soc x soc	E

Compatible SOFA for A.S.A. MFG FBS Sumps					
List A	List B1	List B2	List C	List D	List E
9" x 9"	12" x 12" - 4"	12" x 12" - 6"	18"x18"x20"	18"x18"x24"	24" x 24"
Aquastar 9MFXXX WAV9WRXXX 914XXX	Aquastar 12MFXXX WAV12WRXXX 1216XXX	Aquastar 12MFXXX WAV12WRXXX 1216XXX	Aquastar 18MFXXX WAV18WRXXX P18XXX SUN18HPHXXX	Aquastar 18MFXXX WAV18WRXXX P18XXX SUN18HPHXXX	Aquastar 24XXX WAV24XXX
Waterway 640-479XV	Waterway 640-472XV	Waterway 640-472XV	Waterway 640-477XV	Waterway 640-477XV	Waterway 640-476XV
Hayward WG1031HF	Hayward WG1032HF		Hayward WG1033HF		

- 1) All Field Built Sumps shall be installed in accordance with the manufacturer's installation instructions.
- 2) All SOFA covers shall be installed in accordance with the manufacturer's installation instructions.
- 3) The A.S.A. MFG Inc. Fiberglass Field Built Sump is intended only to be installed in a reinforced concrete pool structure.
- 4) Any field modifications made to the SOFA and not authorized by the manufacturer's installation instructions shall void the SOFA certification. No modification shall be made to the SOFA structure or flow path unless a new configuration has been certified as a new SOFA
- 5) Fiberglass Field Built Sump Life = Life of the Aquatic Center.

Notes: SOFA = Suction Outlet Fitting Assembly
 Compatible based on manufacturer's specifications at the time of publication. Subject to change. See Manufacturer's website for updates.

v040622

FLOW STAR® SKIMMER WITH WATER STOP FACE, FLOAT ASSEMBLY, BASKET, LID AND ADJUSTABLE COLLAR



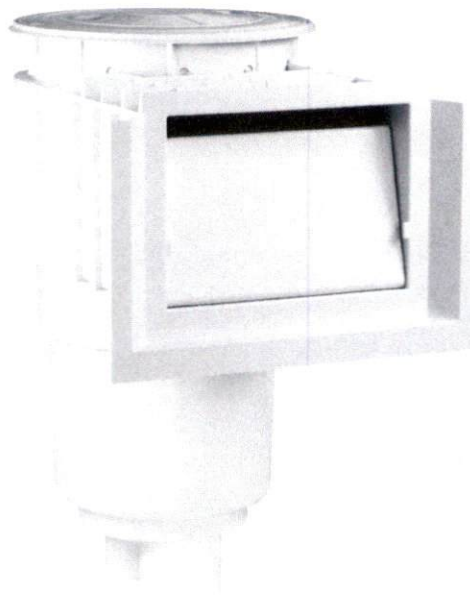
Built in conformance with NSF 50 and SPS 3 standards



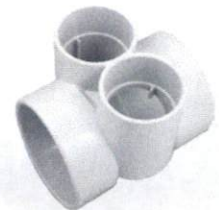
FEATURES

- Adjustable collar
- New weir clip lock secures the clips in the weir door
- Self-contained gunite grip, water stop on the faceplate to prevent water leaks
- Large self-contained basket with lock-in feature (will not float)
- Underwater dampers on the faceplate for noise reduction on weir plate – especially on windy days
- Super strong engineered polymer upper housing
- Extra heavy duty PVC lower unit (no transitional glue required)
- 2½" outside slip and 2" inside slip (outside skimmer)
- 2" threads for pressure testing (inside skimmer)
- Built-in overflow or fill line knock out
- Upper housing has pre-cut rebar cutouts with pre-drilled holes for tie wire
- Skimmer Lid and Collar G154 UV tested
- NSF 50 approved for commercial use, 25 GPM min, 55 GPM max – approved for residential use up to 100 GPM
- See page 212 for code compliance and sizing
- Optional custom name/logo engraved on the lid (requires minimum 500 piece lid order)
- See page 157 for Skimmer with Ozone Port
- 1 per case

Three lid options available (sold separately):
round, square or snap-in round/square



Optional vacuum plate with snap-in lug can be glued in under lid for easy storage p/n SK43101



Optional BFB adapter converts skimmer fittings to 4" or 3" tee for improved hydraulics and code compliance p/n BFB101

Part # SKR1xx

For vinyl and fiberglass options, see pages 138-143

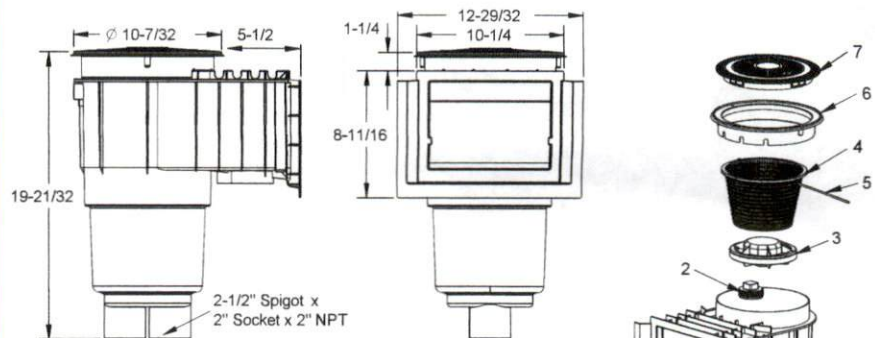
STANDARD COLORS

- SKR101 – White
- SKR102 – Black
- SKR103 – Light Gray
- SKR104 – Blue
- SKR105 – Dark Gray
- SKR108 – Tan

Snap-in Round/Square Lid and Collar (sold separately) p/n SK65xxx

Square Lid and Collar (sold separately) p/n SK64xxx

Available without lid and collar SKR1NL101 (white only)



39 ProStar # VLK15Txx
REPLACES # W4008WHP



Safety Vacuum Lock Wall Fitting (1 1/2" NPT)
Part # VLK20Txx (2" NPT)
Meets SPS-4-2009 Standard

40 ProStar # HWN153
REPLACES # AXV574P



Flow Gauge

41 ProStar # HWN158
REPLACES # AXV092



Hose Connector

42 ProStar # SZTHxx
REPLACES # V109



4-Foot Regular Hose

43 ProStar # SZTHLxx
REPLACES # V532



4-Foot Leader Hose

44 ProStar # HWN163xx
REPLACES # AXV414604



Wing Kit and Pod Shoes

STANDARD COLORS 101 102 103 104 105 108

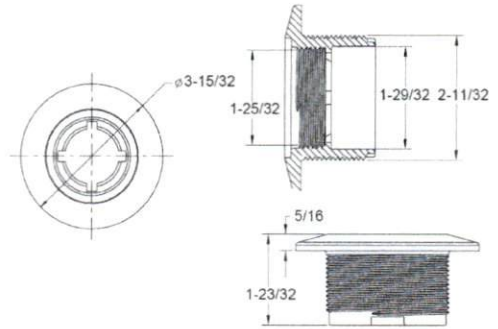
Large Wall Fitting with Threaded OD (Fits 1½" Pipe)

FEATURES

- Standard 1022 fits outside 1½" pipe, threads inside 2" pipe
 - 1½" FPT in the front face
 - Large flange camouflages pipe and surface construction variations
 - See also decorative cover p/n DCxxx to make existing 1022s like new with different colors
 - Manufactured from engineered polymer UV-resistant ABS material
- 250 per case
Also available in Clear (p/n ES102200)



Part # ES1022xx



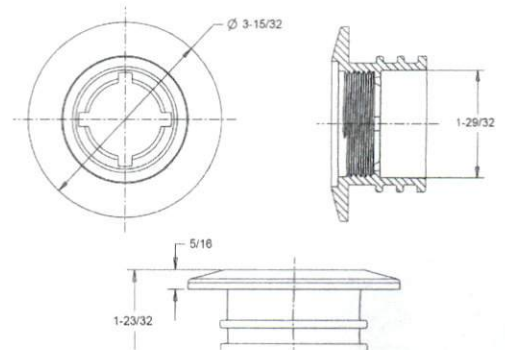
Large Wall Fitting with Water Stop (Fits 1½" Pipe)

FEATURES

- Fits outside 1½" pipe, 1½" FPT in the front face
 - Similar to standard 1022 but with integrated water stop to reduce leaks
 - Large flange camouflages pipe and surface construction variations
 - See also decorative cover p/n DCxxx to make existing 1022s like new with different colors
 - Manufactured from engineered polymer UV-resistant ABS material
- 250 per case
Also available in Clear (p/n ES1022WB00)



Part # ES1022WBxx



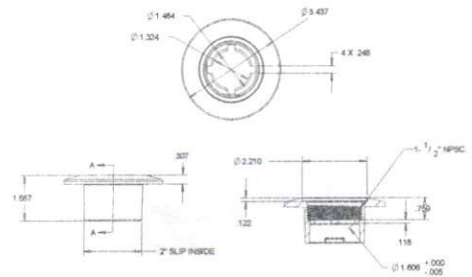
Large Wall Fitting (Fits Inside 2" Pipe)

FEATURES

- Fits inside 2" pipe, 1½" FPT in the front face
 - Large flange camouflages pipe and surface construction variations
 - See also decorative cover p/n DCxxx to make existing 1022s like new with different colors
 - Manufactured from engineered polymer UV-resistant ABS material
- 250 per case
Also available in Clear (p/n ES1022SI2000)



Part # ES1022SI20xx



AQUASTAR

pool products



A Safe Drain is No Accident™

2" X 4" GUTTER DECK DRAIN (FITS 2" PIPE)

FEATURES

Fits over 2" pipe

1½" threaded FPT inside for pressurizing/
winterizing

Manufactured from engineered polymer
UV-resistant PVC material (p/n GDD101
is manufactured from engineered polymer
UV-resistant ABS material)

1½" reducer bushing available
p/n BU101-2x1.5

½" stackable extender available
p/n PE20101

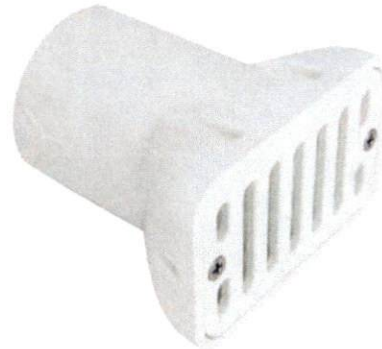
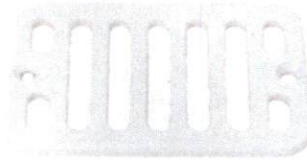
Stainless steel screws

Also available as grate only with two screws

CAUTION: Not to be used as a suction outlet
under any circumstances

25 per case

Grate only p/n GDDLxxx
25 per case



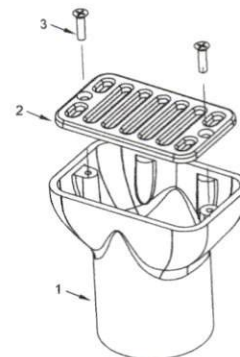
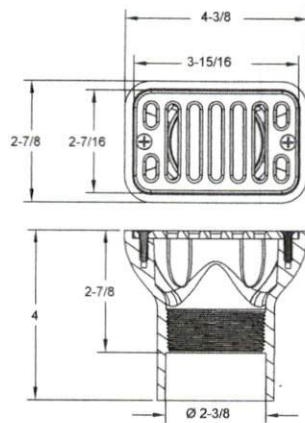
Part # GDDxxx

STANDARD COLORS

101 104

102 105

103 108



1. 2" x 4" gutter/deck drain body
2. 2" x 4" gutter/deck drain cover
3. 10 x 3/4 flat head Phillips screw, qty 2

STANDARD COLORS 101 102 103 104 105 108

Large Wall Fitting with Threaded OD (Fits 1½" Pipe)

FEATURES

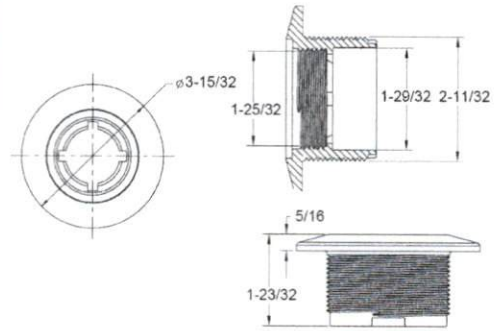
- Standard 1022 fits outside 1½" pipe, threads inside 2" pipe
- 1½" FPT in the front face
- Large flange camouflages pipe and surface construction variations
- See also decorative cover p/n DCxxx to make existing 1022s like new with different colors
- Manufactured from engineered polymer UV-resistant ABS material

250 per case

Also available in Clear (p/n ES102200)



Part # ES1022xx



Large Wall Fitting with Water Stop (Fits 1½" Pipe)

FEATURES

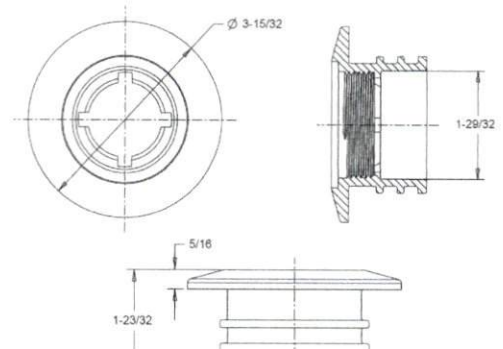
- Fits outside 1½" pipe, 1½" FPT in the front face
- Similar to standard 1022 but with integrated water stop to reduce leaks
- Large flange camouflages pipe and surface construction variations
- See also decorative cover p/n DCxxx to make existing 1022s like new with different colors
- Manufactured from engineered polymer UV-resistant ABS material

250 per case

Also available in Clear (p/n ES1022WB00)



Part # ES1022WBxx



Large Wall Fitting (Fits Inside 2" Pipe)

FEATURES

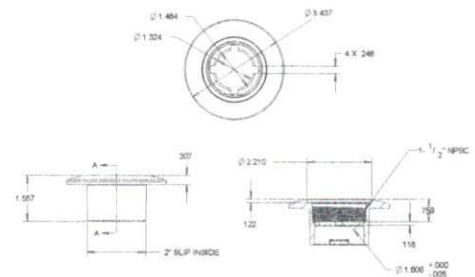
- Fits inside 2" pipe, 1½" FPT in the front face
- Large flange camouflages pipe and surface construction variations
- See also decorative cover p/n DCxxx to make existing 1022s like new with different colors
- Manufactured from engineered polymer UV-resistant ABS material

250 per case

Also available in Clear (p/n ES1022SI2000)



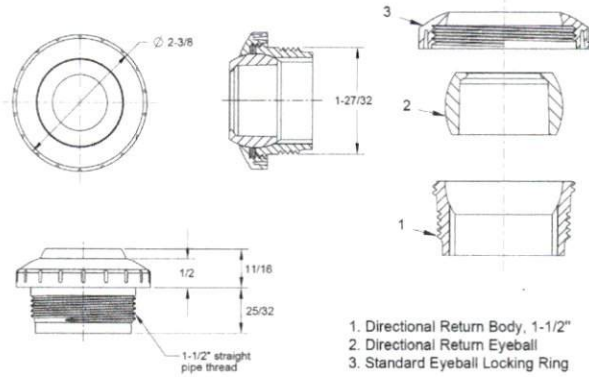
Part # ES1022SI20xx



Product Image and Dimensions



Part # 81xx



FEATURES

- Screws into 1½" FPT
 - Manufactured from engineered polymer UV-resistant ABS material
- 250 per case

STANDARD COLORS

- 8101
 - 8102
 - 8103
 - 8104
 - 8105
 - 8108
- Additional orifice size suffix:
82xx - ¾"
83xx - ½"
84xx - Slotted Down-Jet
(i.e. 8201 = white ¾" orifice)
Also available in Clear
(p/n 8100, 8200, 8300, 8400)

AquaStar Specific Eyeball GPM, Velocity and Head Loss Ratings

GPM	81xx (1")		82xx (¾")		83xx (½")		84xx (Down-Jet)	
	Velocity (fps)	Head Loss (ft)	Velocity (fps)	Head Loss (ft)	Velocity (fps)	Head Loss (ft)	Velocity (fps)	Head Loss (ft)
5	2.2	0.1	3.6	0.5	8.2	2.4	10.1	2.1
10	4.4	0.5	7.3	1.8	16.3	8.7	20.2	8.1
15	6.6	1.1	10.9	3.7	24.5	18.6	30.3	20.7
20	8.8	1.9	14.5	6.2	32.4	32.0		
25	11.0	3.0	18.2	9.4				
30	13.2	4.4	21.8	13.1				
35	15.4	6.1	25.4	17.3				
40	17.6	8.0						
45	19.7	10.2						
50	21.9	12.7						

STANDARD COLORS 101 102 103 104 105 108

Large Wall Fitting with Threaded OD (Fits 1½" Pipe)

FEATURES

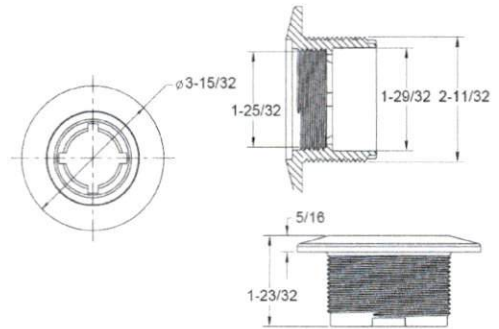
- Standard 1022 fits outside 1½" pipe, threads inside 2" pipe
- 1½" FPT in the front face
- Large flange camouflages pipe and surface construction variations
- See also decorative cover p/n DCxxx to make existing 1022s like new with different colors
- Manufactured from engineered polymer UV-resistant ABS material

250 per case

Also available in Clear (p/n ES102200)



Part # ES1022xx



Large Wall Fitting with Water Stop (Fits 1½" Pipe)

FEATURES

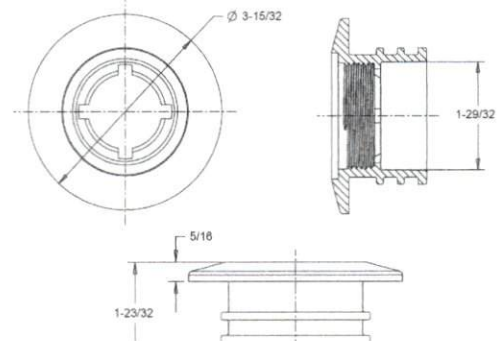
- Fits outside 1½" pipe, 1½" FPT in the front face
- Similar to standard 1022 but with integrated water stop to reduce leaks
- Large flange camouflages pipe and surface construction variations
- See also decorative cover p/n DCxxx to make existing 1022s like new with different colors
- Manufactured from engineered polymer UV-resistant ABS material

250 per case

Also available in Clear (p/n ES1022WB00)



Part # ES1022WBxx



Large Wall Fitting (Fits Inside 2" Pipe)

FEATURES

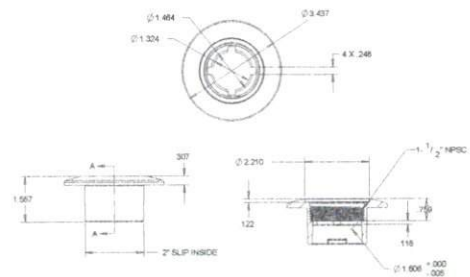
- Fits inside 2" pipe, 1½" FPT in the front face
- Large flange camouflages pipe and surface construction variations
- See also decorative cover p/n DCxxx to make existing 1022s like new with different colors
- Manufactured from engineered polymer UV-resistant ABS material

250 per case

Also available in Clear (p/n ES1022SI2000)



Part # ES1022SI20xx



FEATURES

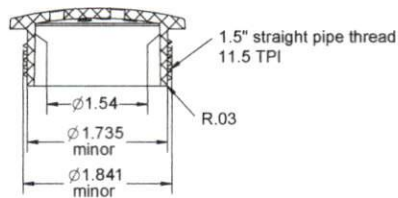
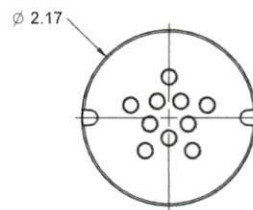
- Available in six standard colors
- No exposed components
- Installs flush with bottom of pool/spa

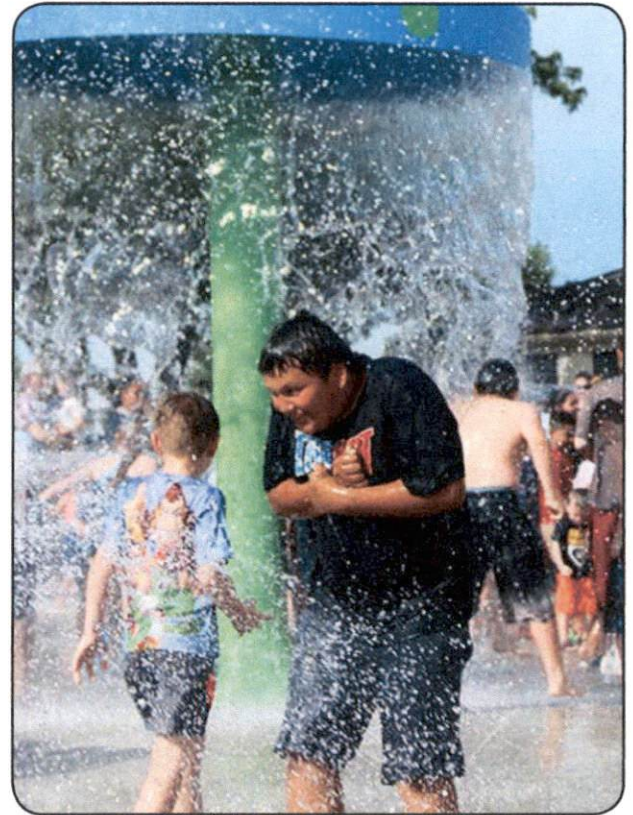


Part # BPxxx

STANDARD COLORS

- 101
- 104
- 102
- 105
- 103
- 108





Mushroom Spray Fountain Model 1800-17

Specifications

Model: 1800-17-96

Size: 7' 6" Diameter

Features

- Fiberglass dome
- 10" Diameter fiberglass stem
- Water flow: 90-400 gpm (spec)
- Variety of colors



Height Options

Model Number	Clearance
1800-17-84	7' 0"
1800-17-90	7' 6"
1800-17-96	8' 0"
1800-17-114	9' 6"

GPM required for Curtain

Length of Curtain in Feet	GPM	Minimum Feed Pipe Size
8	400	4"
5.5	290	4"
3.5	200	3"
1.5	150	2.5"
Rain Sprinkle	90	2"



PO Box 270, Baker City, OR 97814 (541) 523-0224 (800) 252-8475 www.naturalstructures.com - info@naturalstructures.com



Durable and reliable



FEATURES

- Can be installed alone or with drain/vacuum pool or spa at all times
- Easy to install
- Overflow protection and adjustable presets
- Uses the same size lid and collar as AquaStar skimmers
- Includes a 2" to 1½" adapter
- ¾" plug included if overflow is not needed
- ¾" water supply inlet
- Valve is made of high-strength engineered resin
- Float is injection-molded; thread is pre-molded
- All fittings are made of PVC
- No transition glue needed
- Float thread is ½" MPT
- 1 per case

NEW



Part # AFBxxx

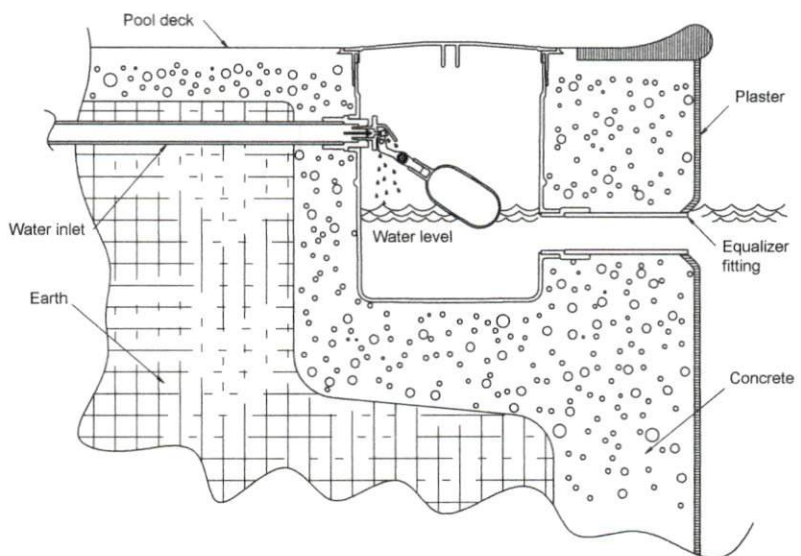
Also available float only part # AFBV

STANDARD COLORS

- AFB101 – White
- AFB102 – Black
- AFB103 – Light Gray
- AFB104 – Blue
- AFB105 – Dark Gray
- AFB108 – Tan

Also available without lid and collar
p/n AFBNLxxx

Also available cover only
p/n SKRTxxx



GloBrite® White LED Lights

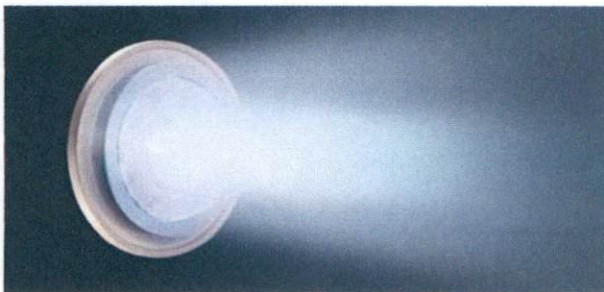


ADD THE MAGIC AND VIBRANCY OF WHITE LED LIGHTING

GloBrite white lights provide vivid, brilliant, pure illumination for your inground pool's features. Incorporating an extended service life, two dimming levels and the latest technology, GloBrite white lights are the brightest and most efficient LEDs on the market.

- GloBrite white lights are equivalent to 190W of incandescent light and offer pure white light for your inground pool features
- Compatible with IntelliTouch®, EasyTouch® and SunTouch® Control Systems
- When used with an optional IntelliBrite® Controller, pool and spa owners without an automation system can enjoy fast and easy control of their pool lighting
- Quick and easy installation
- Does not require grounding or bonding

Feedback



BUILT FOR EFFICIENCY

GloBrite White LED Lights are engineered with the brightest, most efficient LED light technology on the market today. They use only 15 watts to deliver the equivalent of 190 watts of incandescent light. And, savings add up with extended service life.

Item #: 602103

Description: GloBrite White LED Light

Voltage: 12

Wattage: 15W

Cord Length (Ft.): 50

Carton Qty.: 1

Carton Wt. (Lbs.): 6

Item #: 602104

Description: GloBrite White LED Light

Voltage: 12

Wattage: 15W

Cord Length (Ft.): 100

Carton Qty.: 1

Carton Wt. (Lbs.): 9

Item #: 602105

Description: GloBrite White LED Light

Voltage: 12

Wattage: 15W

Cord Length (Ft.): 150

Carton Qty.: 1

Carton Wt. (Lbs.): 12

Feedback

**Item #: 620040**

Description: Gunite Niche for GloBrite (includes white, blue, grey and tan rings)

Voltage:

Wattage:

Cord Length (Ft.):

Carton Qty.: 1

Carton Wt. (Lbs.): 1.3

Item #: 620039

Description: Vinyl Niche for GloBrite (includes white, blue, and grey rings)

Voltage:

Wattage:

Cord Length (Ft.):

Carton Qty.: 1

Carton Wt. (Lbs.): 1.3

INTELLIBRITE®

ARCHITECTURAL SERIES LIGHTS

Illuminate your customers' nighttime pool experiences.

You're a leading pool pro. We're a pool lighting leader. Together, we can help your customers' pool experiences shine brighter and more beautifully than ever before with our biggest illumination innovation to enter the pool industry.

- IntelliBrite Architectural Series Color Pool Light is now **60%** brighter and **50%** more energy efficient.*
- IntelliBrite Architectural Series White Pool Light is now **80%** more energy efficient, consuming **44%** less power and maintaining the same brightness.**

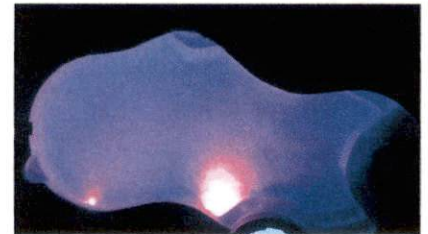


◀ BEFORE

Unevenly lit pool with dark areas.

AFTER ▶

Evenly lit pool for a more exhilarating nighttime pool experience.



PRODUCT SPECIFICATION

SIZE	MODEL	VOLTAGE	POWER	PART NUMBER BY CORD LENGTH (FEET)				
				30'	50'	100'	150'	250'
Pool	Color	120V	28W	602185	602186	602187	602188	602206
Pool	Color	12V	28W	602151	602152	602153	602154	-
Spa	Color	120V	18W	602201	602202	602203	602204	602205
Spa	Color	12V	18W	602197	602198	602199	602200	-
Pool	White - 300W Equivalent	120V	26W	602181	602182	602183	602184	602207
Pool	White - 300W Equivalent	12V	26W	602143	602144	602145	602146	-
Pool	White - 500W Equivalent	120V	31W	602177	602178	602179	602180	602208
Pool	White - 500W Equivalent	12V	31W	602139	602140	602141	602142	-
Spa	White - 100W Equivalent	120V	18W	602193	602194	602195	602196	602209
Spa	White - 100W Equivalent	12V	18W	618015	618016	618017	618018	-
Pool	Warm White	120V	31W	602189	602190	602191	602192	602221
Pool	Warm White	12V	31W	602147	602148	602149	602150	-
Spa	Warm White	120V	18W	602225	602226	602227	602228	602229
Spa	Warm White	12V	18W	602238	602239	602240	602241	-



Get total control from anywhere with the Pentair Home app to help you move, improve and enjoy all of your home's water.

Go to pentair.com/home

MORE OPTIONS AVAILABLE:
Scan the QR code to view the full list



*Compared to Pentair IntelliBrite 5G Color LED Pool Light in white color mode only. The IntelliBrite Architectural Series delivers higher lumen output depending on color mode, ranging from 28%-141% brighter, while energy efficiency improvements range from 17-58% based on color mode.

**Compared to Pentair IntelliBrite 5G White LED Pool Light, IntelliBrite Architectural Series White Light delivers 2.3% higher lumen output and consumes 44% less power.

Appearance of color and white LED light may vary between various models of lights. Appearance and perception of pool lighting may vary depending on a number of factors including, but not limited to, the particular model of light, the location/depth/angle of the light's installation, pool finish/material, pool depth/shape/geometry, ambient light sources, subjective factors and more. For best results when using multiple lights, use all the same model and do not mix multiple models of lights within a single installation.



400 Regency Forest Dr | Cary, NC 27518 | United States | 800.831.7133 | pentair.com

All indicated Pentair trademarks and logos are property of Pentair. Third-party registered and unregistered trademarks and logos are the property of their respective owners.

©2023 Pentair. All Rights Reserved.

P5-783 8/2023

TRADEGRADE

Junction Box - 4 Light Connection Pool & Spa Junction Box

Item PJB4175



PRODUCT DESCRIPTION

These polymeric junction boxes are code compliant and provide safe, reliable connections for low-voltage lights. Specially designed for pools, pool-spa combinations, and landscape applications. Junction boxes are for outdoor use only.

FEATURES

- ▶ Accommodates flexible cords and non-metallic conduits from 1/2" to 1"
- ▶ Watertight, multifixture enclosure
- ▶ Easy access ground bar
- ▶ PA114 Wall/Post Mounting Bracket (sold separately)
- ▶ Complies with NEC Code 680.24 requirements for junction boxes
- ▶ 1-year warranty

APPLICATIONS

- ▶ Landscape Lighting
- ▶ Underwater Lighting

TECHNICAL DATA

General

Model Number	PJB4175
Description	4 Light Connection Pool & Spa Junction Box
UPC Code	078275094048
Brand	Intermatic
Country of Origin (Intermatic)	INDIA
Warranty Period	1-Year limited

Control Specifications

Number of Light Connections	4
-----------------------------	---

Mechanical Specifications

Mounting Options	Bracket; Post; Rod; Wall
------------------	--------------------------

Dimensions

Product Dimensions (H x W x D) in	8.75 x 5 x 4.625 in
Non Metallic Conduit Size	1/2"-1"

Material Specifications

Body Material	Plastic
---------------	---------

Electrical Specifications

Number of Receptacle Knockouts	5
--------------------------------	---

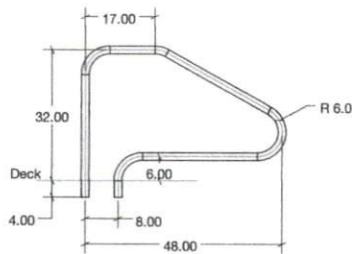
Packaging

Unit Carton Dimensions (H x W x L) in	5.25 x 5 x 9 in
---------------------------------------	-----------------

Standards and Certifications

Hand & Stair Rails

DMS-101



- Tubing: 1.90" OD
- Wall Thickness*: .049" or .065"
- Stainless Steel: 304 or 316L Marine Grade** (add -MG to part number)
- Bends: 6" Radius
- Options: Powder-coating and SealedSteel Salt Friendly
- Recommended Anchors: AS-100P or AS-100B (order separately)
- Recommended Escutcheon: EP-100F (order separately)
- **Sold as a single rail**

* Minimum rail thickness is .065 for Commercial

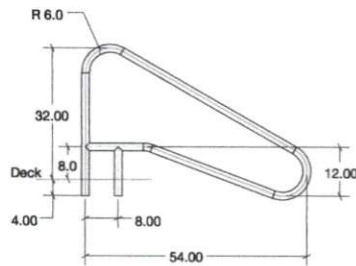
** Minimum requirement for salt pools is 316L Marine Grade

DMS-101

Model No.	Description	Shipping			
		Weight	Length	Width	Height
DMS-101A	48" Center Grab Rail, .049	13 lbs – 16 lbs 6 – 7kg	59" 150cm	39" 99cm	2" 5cm
DMS-101B	48" Center Grab Rail, .065	13 lbs – 16 lbs 6 – 7kg	59" 150cm	39" 99cm	2" 5cm

Hand & Stair Rails

DMS-102



- Tubing: 1.90" OD
- Wall Thickness*: .049" or .065"
- Stainless Steel: 304 or 316L Marine Grade** (add -MG to part number)
- Bends: 6" Radius
- Options: Powder-coating and SealedSteel Salt Friendly
- Recommended Anchors: AS-100P or AS-100B (order separately)
- Recommended Escutcheon: EP-100F (order separately)
- **Sold as a single rail**

* Minimum rail thickness is .065 for Commercial

** Minimum requirement for salt pools is 316L Marine Grade

DMS-102

Model No.	Description	Shipping			
		Weight	Length	Width	Height
DMS-102A	54" Center Grab Rail, .049"	15 lbs – 19 lbs 7 – 9kg	59" 150cm	39" 99cm	2" 5cm
DMS-102B	54" Center Grab Rail, .065"	15 lbs – 19 lbs 7 – 9kg	59" 150cm	39" 99cm	2" 5cm
DMS-102P	54" Center Grab Rail, .049" w/welded mounting plate	15 lbs – 19 lbs 7 – 9kg	59" 150cm	39" 99cm	2" 5cm

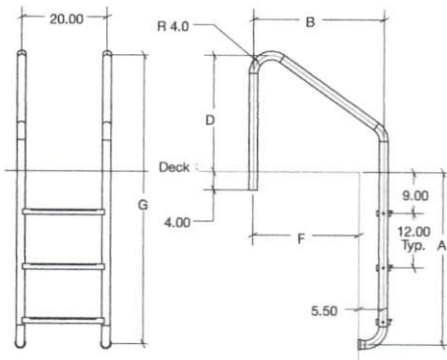
Standard Plus Ladder

Stainless Steel Tread Ladder



- Tubing: 1.90" OD
- Wall Thickness: .065", .109" or .145"
- Stainless Steel: 304
- Treads: LTDF-103 (Stainless Steel)
- Bends: 4" Radius
- Options: Powder-coating and SealedSteel Salt Friendly (rails only)
- Recommended anchors: AS-200B for 1.50" and AS-100B for 1.90" (order separately)
- Recommended escutcheons: EP-150 for 1.50" and EP-100F for 1.90" (order separately)

* Call Customer Service at 800.824.4387 for availability of ladders of 1.50"OD tubing



Model No.	Description	Shipping		
		Weight	Length	Width Height
10037 to 10039*	23" 2-Step Ladder with .065", .109", .145" tubing	30, 42, 54 lbs 14, 20, 24kg	61" 155cm	29" 2" 74cm 5cm
10040 to 10042	23" 3-Step Ladder with .065", .109", .145" tubing	36, 50, 62 lbs 16, 23, 28kg	70" 177cm	28" 2" 71cm 5cm
10043 to 10045	23" 4-Step Ladder with .065", .109", .145" tubing	40, 58, 70 lbs 18, 26, 32kg	82" 208cm	28" 2" 71cm 5cm
10046 to 10048	23" 5-Step Ladder with .065", .109", .145" tubing	46, 64, 78 lbs 21, 29, 35kg	90" 229cm	28" 2" 71cm 5cm
10049 to 10051	29" 2-Step Ladder with .065", .109", .145" tubing	30, 44, 56 lbs 14, 20, 25kg	59" 150cm	39" 2" 99cm 5cm
10052 to 10054	29" 3-Step Ladder with .065", .109", .145" tubing	36, 52, 64 lbs 16, 24, 29kg	85" 216cm	39" 2" 99cm 5cm
10055 to 10057	29" 4-Step Ladder with .065", .109", .145" tubing	42, 58, 72 lbs 20, 26, 33kg	85" 216cm	39" 2" 99cm 5cm
10058 to 10060	29" 5-Step Ladder with .065", .109", .145" tubing	48, 66, 80 lbs 22, 30, 36kg	85" 216cm	39" 2" 99cm 5cm
10061 to 10063	35" 2-Step Ladder with .065", .109", .145" tubing	34, 48, 62 lbs 15, 22, 28kg	59" 150cm	39" 2" 99cm 5cm
10064 to 10066	35" 3-Step Ladder with .065", .109", .145" tubing	38, 56, 70 lbs 17, 25, 32kg	76" 193cm	40" 2" 102cm 5cm
10067 to 10069	35" 4-Step Ladder with .065", .109", .145" tubing	44, 64, 78 lbs 20, 29, 35kg	76" 193cm	40" 2" 102cm 5cm
10070 to 10072	35" 5-Step Ladder with .065", .109", .145" tubing	50, 70, 86 lbs 23, 32, 40kg	76" 193cm	40" 2" 102cm 5cm

stainless

MODEL NUMBER	D	B	A	F	G
10037 TO 10039	26.00	23.00	28.00	17.50	54.00
10040 TO 10042	26.00	23.00	40.00	17.50	66.00
10043 TO 10045	26.00	23.00	52.00	17.50	78.00
10046 TO 10048	26.00	23.00	64.00	17.50	90.00
10049 TO 10051	26.00	29.00	28.00	23.50	54.00
10052 TO 10054	26.00	29.00	40.00	23.50	66.00
10055 TO 10057	26.00	29.00	52.00	23.50	78.00
10058 TO 10060	26.00	29.00	64.00	23.50	90.00
10061 TO 10063	31.00	35.00	28.00	29.50	59.00
10064 TO 10066	31.00	35.00	40.00	29.50	71.00
10067 TO 10069	31.00	35.00	52.00	29.50	83.00
10070 TO 10072	31.00	35.00	64.00	29.50	95.00

Note:

- Frames extend 5/2" from the pool wall. Frame is secured to the pool deck with two anchor sockets on 20" centers. The lower end of the frame is bent to meet the pool wall and fitted with two white rubber bumpers (WRB-100A for 1.90" and WRB-102A for 1.50").

* Example 10037=.065", 10038=.109", 10039=.145" tubing

In-Wall Timer - Spring Wound Countdown Timer, Commercial, 125-277 VAC, 50/60 Hz, SPST, 15 Minute Max, Without Hold, Silver

Item FF15MC



PRODUCT DESCRIPTION

The FF Series Commercial Countdown Timers are designed to replace any standard wall switch and do not require electricity to operate. These energy-efficient switches automatically limit the ON times for fans, lighting, motors, heaters, and other energy consuming loads. A commercial "brushed metal" look plate (plastic construction) meets NEC requirements. *NOTE: Not for use with sunlamps, saunas, or loads that could cause personal injury if timed incorrectly.

FEATURES

- ▶ 15-Minute timer
- ▶ SPST (Single-Pole Single-Throw)
- ▶ Breaks circuit at end of timing cycle
- ▶ No electricity required to operate
- ▶ Replaces any standard or decorator single-gang wall switch
- ▶ Automatically limits ON time for energy consuming loads
- ▶ Quick and easy installation
- ▶ Time-saving up front terminal connection with teeter-type terminals
- ▶ Brushed metal look switch plate meets NEC requirements (plate is included)
- ▶ Incandescent/fluorescent/CFL/LED compatible

APPLICATIONS

- ▶ Indoor Lighting Control
- ▶ Outdoor Lighting Control
- ▶ Motor Control
- ▶ Air Movement & Ventilation

TECHNICAL DATA

General

Model Number	FF15MC
Description	Spring Wound Countdown Timer, Commercial, 125-277 VAC, 50/60 Hz, SPST, 15 Minute Max, Without Hold, Silver
UPC Code	078275005297
Brand	Intermatic
Country of Origin (Intermatic)	TUNISIA
Warranty Period	1-Year limited
Application Compatibilities	Incandescent; Fluorescent; CFL; LED
Harmonized Code	9107.00.8000

Control Specifications

Operation Mode	Countdown
Countdown Time	15 min
Hold Mode Included	No
Mechanism Type	Analog/Mechanical

Mechanical Specifications

Wall Plate Configurations	Single-Gang; Multi-Gang
---------------------------	-------------------------

Dimensions

Product Dimensions (H x W x D) in 4.125 x 1.75 x 1.25 in

Material Specifications

Color Silver
Includes Wall Plate Yes

Load Ratings

Resistive Heater 20 A, 2500 W, 125 VAC; 10 A, 2500 W, 250 VAC; 10 A, 2770 W, 277 VAC
Tungsten (Incandescent) Range(s) 7 A, 125 VAC, 50/60 Hz, 875 W
Motor Load Ratings Ranges 1 HP, 125 VAC; 2 HP, 250 VAC

Electrical Specifications

Input Voltage Range(s) 125-277 VAC, 50/60 Hz
Wiring Configurations Single
Switch Type SPST
Neutral Connection Required No

Environmental Specifications

Temperature (operation) 40 - 120 °F / 4 - 49 °C

Packaging

Shipping Weight (lbs) 0.299
Unit Carton Dimensions (H x W x D) in 7 x 4 x 2.5 in

Standards and Certifications

CSA Certification cCSAus
Other Certifications and Compatibilities RU
California Proposition 65 DEHP

INTERMATIC® SPRING WOUND INTERVAL TIMER

SWITCH RATING SPECIFICATIONS:

- 1 H.P. at 125 V.A.C. 50/60 HERTZ
- 20 Amps 125 V.A.C. 50/60 HERTZ
- 10 Amps 150 V.A.C. 50/60 HERTZ
- 10 Amps 277 V.A.C. 50/60 HERTZ
- 2 H.P. at 250 V.A.C. 50/60 HERTZ
- 10 Amps 150 V.A.C. 50/60 HERTZ
- 7 Amps 125 V.A.C. Tungsten

INSTALLATION INSTRUCTIONS:

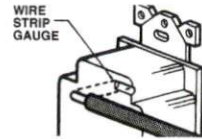
This spring wound timer is as easy to install as a light switch in a standard 2-1/2 inch deep vertically installed junction box in place of (or to replace) a standard single pole, 3-way or double pole single throw (depending on timer model) wall switch. This spring wound timer will automatically turn off lights, fans, air conditioners and other loads after a preset timing period.

CAUTION: This timer should not be used in precision timing applications where inaccurate timing could have dangerous consequences (i.e. sun lamps, sauna, etcetera).

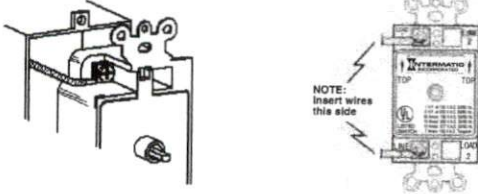
INSTALLATION:

Depending on the type of spring wound timer you have, you may need to supply a standard single or multi-gang wall switch plate with either a toggle opening or a decorator type opening. If your timer is supplied with a metallic silver plastic time dial wall plate (models with FF prefix), see illustration "A". If your timer is supplied with a small ivory, white or other colored plastic time dial plate (models with FD prefix), you will need to supply a standard toggle or decorator design wall switch plate and see illustration "B1" or "B2".

1. Be sure to turn off electrical power at breaker or fuse panel for safety during installation.
2. Remove wall plate and disconnect switch from vertically installed junction box.
3. Strip end of wires 1/2 inch long as per strip gauge on back of timer.



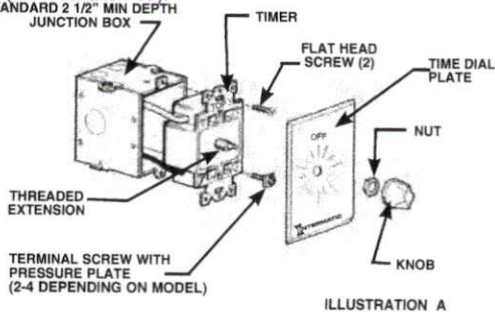
4. Insert stripped end of wires under the pressure plate of terminal screws on the side of timer (terminal screws provided in plastic bag). **SCREW DOWN TIGHTLY.** Use COPPER wire ONLY.



5. Insert wired timer into a 2-1/2 inch deep standard wall junction box with "TOP" (indicated on front of timer) in proper position and fasten timer to junction box using the two long screws provided.

"FF" Models Only (See Illustration "A")

6. Slip time dial plate over threaded extension with "OFF" mark of time dial plate on top as marked on front of timer (see illustration "A").
7. Fasten time dial plate securely to timer with stamped nut provided (see illustration "A").



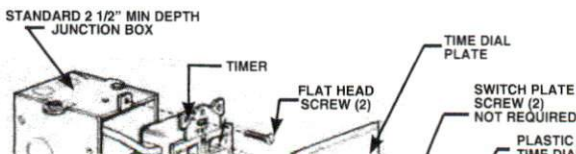
"FD" Models Only (Illustration B1 and B2)

8. Illustration "B1" - Place standard toggle or decorator plate on timer, do not overtighten.

NOTE:

If you are using a standard toggle switch plate, illustration B1, it is not necessary to use the two screws provided with the switch plate. The nut provided with the timer will securely hold the switch plate. The screws, if used, must be self-tapped into the timer body and will require a gentle inward pressure while turning the screw firmly in order to self-tap into the timer body. If using a decorator style wall switch plate, illustration B2 threaded holes are provided in the metal tabs at the opposite ends of the timer. Fasten the decorator style plate using the two screws provided with the switch plate, **but do not over tighten.**

9. Slip plastic time dial plate over threaded extension with "OFF" mark of time dial plate on top as marked on front of timer and fasten securely to timer with nut provided. **DO NOT OVER TIGHTEN.** (See illustration "B1").



INTERMATIC® TEMPORIZADOR A INTERVALOS DE DEVANADO EN ESPIRAL

ESPECIFICACIONES SOBRE LA POTENCIA DE LOS INTERRUPTORES:

- 1 Caballo de fuerza a 125 V. C.A. 50/60 Hertz
- 2 Caballo de fuerza a 250 V. C.A. 50/60 Hertz
- 20 Amperios 125 V. C.A. 50/60 Hertz
- 10 Amperios 150 V. C.A. 50/60 Hertz
- 10 Amperios 277 V. C.A. 50/60 Hertz
- 7 Amperios 125 V. C.A. Tungsteno

INSTRUCCIONES DE INSTALACION:

Este temporizador de devanado en espiral se instala tan fácilmente como un interruptor de luz en una caja de conexiones estándar de 6,35 cm pulgadas de largo instalada verticalmente en lugar de (o para sustituir) un interruptor de pared estándar de juego sencillo, unipolar, de tres direcciones o bipolar (según el modelo del temporizador). Este temporizador de devanado en espiral apagará luces, abanicos, acondicionadores de aire y otras cargas automáticamente luego de un período de regulación de tiempo preestablecido.

PRECAUCION: Este temporizador no debe utilizarse en aplicaciones de regulación de precisión donde la regulación de tiempo incorrecta podría resultar peligrosa (lámparas de rayos ultravioletas, saunas, etc.).

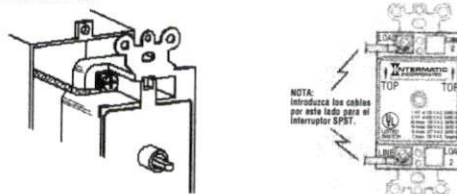
INSTALACION:

Dependiendo del tipo de temporizador de devanado en espiral que tenga, podría necesitar proveerse de una placa estándar del interruptor de pared de control sencillo o múltiple con orificio de palanca articulada o de tipo decorativo. Si el temporizador contiene una placa metálica para pared de plástico con terminado de placa (modelos con el prefijo FF), vea la ilustración "A". Si su temporizador incluye una placa plástica pequeña de la esfera de la hora color marfil, blanco u otro (modelos con el prefijo FD), necesitará proveerse de una placa estándar de interruptor de palanca articulada o de tipo decorativo y ver ilustración "B1" o "B2".

1. Asegúrese de cortar la electricidad en la caja de seguridad o panel de fusibles durante la instalación.
2. Remueva la placa de pared y desconecte el interruptor de la caja de conexiones instalada verticalmente.
3. Pele los extremos de los cables 1,27 cm según el fleje calibrador en la parte posterior del temporizador.



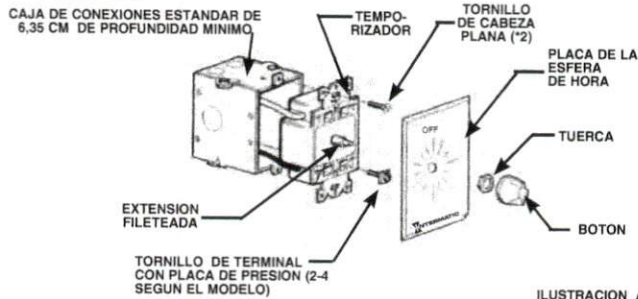
4. Introduzca los extremos pelados de los cables debajo de la placa depresión de los tornillos de terminal en el lado del temporizador (los tornillos de terminal vienen incluidos en una bolsa plástica). ATORNILLE BIEN. Utilice conductores de cobre solamente.



5. Introduzca el temporizador alambrado en la caja de conexiones de pared estándar de 6 cm de profundidad con la marca "TOP" (indicado en la parte frontal del temporizador) en posición correcta y asegure el temporizador a la caja de conexiones utilizando los 2 tornillos largos de incluidos.

Modelos "FF" Solamente (Ver ilustración "A")

6. Deslice la placa de la esfera de hora sobre la extensión fileteada con la marca "OFF" de la placa de la esfera de hora hacia arriba como se indica en la parte frontal del temporizador. (Ver ilustración "A").
7. Asegure bien la placa al temporizador con la tuerca estampada incluida. (Ver ilustración "A").



Modelos "FD" Solamente (Ilustraciones B1 y B2)

8. Ilustración "B1" - Coloque la placa estándar de palanca articulada o de tipo decorativo sobre el temporizador. No apriete demasiado.

NOTA:

Si utiliza una placa estándar de interruptor de palanca articulada, ilustración B1, no necesita utilizar los 2 tornillos incluidos con la placa de interruptor. La tuerca incluida con el temporizador sujetará firmemente la placa de interruptor. Si se utilizan los tornillos, estos deben enroscarse en la caja del temporizador y requerirán de una ligera presión interna mientras se atornillan firmemente para que se enroscen en la caja del temporizador.

9. Deslice la placa plástica de la esfera de la hora sobre la extensión fileteada con la marca "OFF" de la placa de la esfera hacia arriba como se indica en la parte frontal del temporizador y asegúrela bien al temporizador con la tuerca incluida. **NO APIRIETE DEMASIADO.** (Ver ilustración "B1").



INTERMATIC® TEMPORIZADOR A INTERVALOS DE DEVANADO EN ESPIRAL

Caractéristiques De

- 1 CV à 125 V. A.C.
- 20 A 125 V. A.C.
- 10 A 277 V. A.C.

INSTRUCTIONS D'INSTALLATION:

Ce temporisateur à res dans un coffret électrique un interrupteur mural (suivant le modèle de la lumière, le ventilateur dans le cadre d'un cycle).

ATTENTION : Ce temporisateur ne doit pas être utilisé dans des applications de précision où une régulation de temps incorrecte pourrait être dangereuse (lampes à rayons ultraviolets, saunas, etc.).

INSTALLATION:

Suivant le type de timer nécessaire de prévoir un coffret mural, muni d'un interrupteur est fourni avec un temps (modèles à plaque en plastique à FD), il faudra prévoir un type décoratif (B1) ou le type décoratif (B2).

1. Ne pas oublier de débrancher ou de couper le courant avant toute installation.
2. Retirer la plaque d'interrupteur de la boîte de connexion.
3. Dénuder l'extrémité des fils à une longueur d'1,25 cm environ.

4. Insérer l'extrémité des fils dénudés sous la plaque de pression des vis de terminal (les vis de terminal sont incluses dans un sac en plastique). **CUIVRE SEULEMENT.**

5. Insérer le temporisateur dans la boîte de connexion de mur standard de 6,35 cm de profondeur avec la marque "TOP" (indiqué sur le devant du temporisateur) en position correcte et assurez le temporisateur à la boîte de connexion en utilisant les 2 vis longues fournies.

Modèles "FF" uniquement

6. Faire glisser la plaque de l'heure sur l'extension fileté avec la marque "OFF" de la plaque de l'heure vers le haut comme indiqué sur le devant du temporisateur. (Voir l'illustration "A").
7. Attachez la plaque au temporisateur avec la tige filetée incluse. (Voir l'illustration "A").

COFFRET ÉLECTRIQUE À PROFONDEUR MINIMALE

PROLONGE FILETÉE
BORNE À VIS AVEC D'APPUI (2-4 SUIVANT LE MODÈLE)

Modèles "FD" uniquement

8. Figure "B1" - Placez la plaque standard de levier articulé ou de type décoratif sur le temporisateur. Ne serrez pas trop.

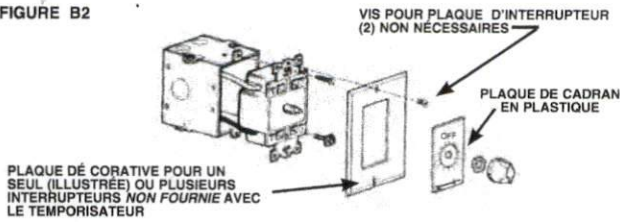
REMARQUE:

En cas d'utilisation de la plaque B1, il n'est pas nécessaire d'utiliser les 2 vis fournies avec la plaque d'interrupteur. La tige filetée incluse avec le temporisateur maintiendra fermement la plaque d'interrupteur. Si vous utilisez des vis, elles doivent être vissées dans la boîte du temporisateur et nécessiteront une légère pression interne pendant qu'elles sont serrées fermement pour qu'elles s'enroscent dans la boîte du temporisateur.

COFFRET ÉLECTRIQUE À PROFONDEUR MINIMALE

PROLONGE FILETÉE
BORNE À VIS AVEC D'APPUI (2-4 SUIVANT LE MODÈLE)

FIGURE B2



- Appuyer sur le bouton qui se trouve sur l'arbre du temporisateur de façon à ce que son indicateur soit centré sur le repère "OFF" de la plaque du cadran. Ce bouton est percé d'un trou en forme de "D" qui s'adapte à la section en "D" de l'arbre du temporisateur.
- Rétablir le courant.

MODE D'EMPLOI DU TEMPORISATEUR:

FONCTIONNEMENT AUTOMATIQUE: Tourner le temporisateur vers la droite jusqu'à l'heure désirée. Le temporisateur met hors tension le système ainsi commandé à la fin de la période préprogrammée. Remarque que les temporisateurs (SPDT) câblés pour les applications à action inversée mettent le système sous tension à la fin de la période préprogrammée.

SHUNTAGE DU TEMPORISATEUR: (Modèles à "blocage" uniquement) - Tourner vers la gauche pour obtenir l'arrêt. Le temporisateur ne fonctionne pas dans cette position, mais le commutateur est sur "ON" jusqu'à ce que le bouton soit ramené manuellement sur "OFF".

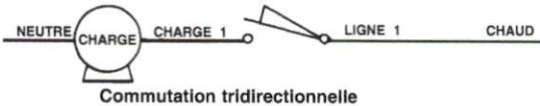
APPLICATIONS:

Grâce à leurs différentes configurations polaires, les temporisateurs à ressort Intermatic peuvent être utilisés dans de nombreuses applications comme indiqué ci-dessus:

SPST

Utilisé pour ouvrir le circuit côté chaud de tout système 120 volts tel que:

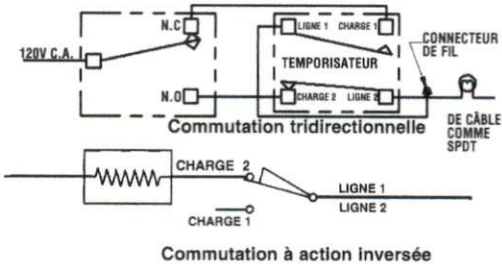
- Cafétières électriques
- Éclairage
- Climatiseurs
- Ventilateurs d'aération



SPDT

Por les applicatifs nécessitant une commutation tridirectionnelle (2 temporisateurs ou 1 temporisateur et un commutateur tridirectionnel) ou à action inversée. Ces dernières permettent la mise hors tension d'un système pour une durée limitée, à l'issue de laquelle il est remis sous tension. Les applications tridirectionnelles servent à commander un système depuis deux endroits différents tels que:

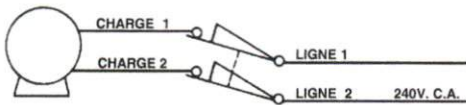
- Vestibules
- Corridors
- Entrepôts
- Étages



DPST

Pour les applications dans lesquelles les deux côtés du circuit d'un système 208, 240 ou 277 volts doivent être commutés, telles que:

- Moteurs de grande puissance
- Pompes
- Éclairage intérieur
- Éclairage extérieur



GARANTIE TOTALE D'UN AN

Si dans un délai de un (1) an à compter de la date d'achat, ce produit s'avère défectueux pour vice de matériau ou de fabrication, Intermatic Incorporated le réparera ou le remplacera, la décision appartenant à Intermatic Incorporated, sans frais. Cette garantie ne concerne que l'acheteur initial et n'est pas transférable. Cette garantie ne couvre pas : (a) dommages occasionnés par accident, chute ou abus lors de manipulations, cas fortuits ou toute négligence ; (b) unités ayant subi à des réparations non autorisées, ouvertes, démontées ou modifiées d'une quelconque façon ; (c) unités qui ne sont pas utilisées conformément aux instructions ; (d) dommages supérieurs au coût du produit ; (e) éclairage scellé et/ou ampoule, DEL et batteries ; (f) la finition d'une partie du produit, telle que les rayures de surface et/ou le vieillissement climatique qui sont considérés comme une usure normale ; (g) dommages ayant lieu pendant le transport, frais initiaux d'installation, de désinstallation ou de réinstallation.

INTERMATIC INCORPORATED N'ENDOSSE AUCUNE RESPONSABILITÉ QUANT AUX DOMMAGES ACCESSOIRES OU INDIRECTS. CERTAINES PROVINCES NE PERMETTENT PAS D'EXCLUSIONS OU DE LIMITATIONS AUX DOMMAGES ACCESSOIRES OU CONSÉCUTIFS, LA LIMITE INDIQUÉE CI-DESSUS PEUT NE PAS VOUS CONCERNER. CETTE GARANTIE CI-PRÉSENTES REMPLACE TOUTES AUTRES GARANTIES EXPRESSES OU TACITES. TOUTES LES GARANTIES TACITES Y COMPRIS LA GARANTIE DE COMMERCIALISATION ET CELLE D'ADAPTABILITÉ À DES FINS PARTICULIÈRES SONT MODIFIÉES CI-PRÉSENTES POUR N'EXISTER QUE TELLES QUELLES DANS CETTE GARANTIE LIMITÉE ET AURONT LA MÊME DURÉE DE VALIDITÉ QUE LA PÉRIODE DE

TORNILLO DE LA PLACA DE INTERRUPTOR (2) REQUERIDO (INCLUIDO CON LA PLACA DE INTERRUPTOR)

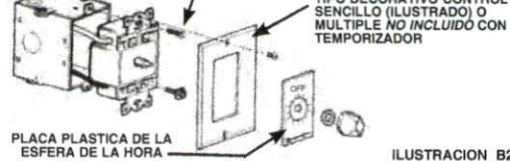


ILLUSTRATION B2



DECORATOR SWITCH PL. SINGLE GANG (SHOWN) (MULTI-GANG NOT INCLUDED WITH TIM)

- Presione el botón sobre el eje del temporizador o para que la aguja del botón tenga por centro la marca "OFF" de la placa de a esfera. El botón tiene un orificio en forma de "D" que hace juego con el eje "D" en el temporizador.
- Restablezca la electricidad.

11. RESTAURER LE COURANT:

PARA OPERACION AUTOMATICA DE REGULACION DE HORA: Gire la esfera en sentido de las agujas del reloj hasta obtener la hora deseada. El temporizador APAGARÁ la carga al final del periodo de regulación de tiempo preestablecido. Observe que los temporizadores (SPDT) alambrados para aplicaciones de acción inversa encenderán la carga al final del periodo de regulación de tiempo preestablecido.

PARA RETRASAR EL TEMPORISADOR: (Modelos con la característica "pausa" solamente) - Gire la esfera en sentido contrario al de las agujas del reloj para detener el funcionamiento. En esta posición, el temporizador no operará, pero el interruptor permanecerá ENCENDIDO hasta que se coloque el botón manualmente en la posición "OFF" (apagado).

APLICACIONES:

La variedad de configuraciones de polos disponible permite que los temporizadores de devanado en espiral Intermatic puedan utilizarse en diferentes aplicaciones como sigue:

SPST

Utilizado para interrumpir la corriente en la superficie caliente de cualquier carga de 120 voltios como:

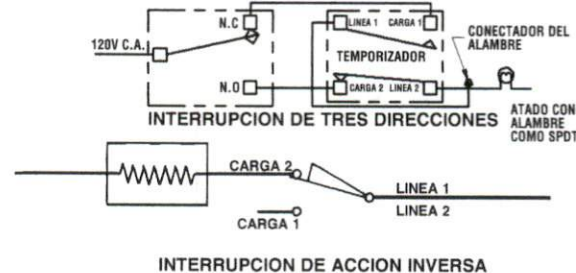
- Cafeteras
- Acondicionadores de aire
- Sistemas de iluminación
- Ventiladores



SPDT

Para aplicaciones que requieran interrupción de tres direcciones (2 temporizadores o temporizador e interruptor de tres direcciones) o aplicaciones de acción inversa. Las aplicaciones de acción inversa permiten que una carga SE APAGUE por un espacio de tiempo limitado, después del cual la carga volverá a ENCENDERSE. Las aplicaciones de tres direcciones se utilizan para regular una carga desde dos lugares diferentes tales como:

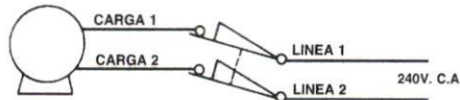
- Vestibulos
- Pasillos
- Facilidades de Auto Almacenamiento
- Nivel Superior/Nivel Inferior



DPST

Para aplicaciones donde deban conmutarse ambos extremos de una carga de 208, 240 ó 277 voltios. Aplicaciones tales como:

- Motores de gran potencia (caballos de fuerza)
- Bombas
- Iluminación para interiores
- Iluminación para exteriores



HOW TO OPERATE YC

FOR AUTOMATIC TIMING: Turn timer counter clockwise until the knob has a "D" shaped hole in the center of the dial. The timer will turn "OFF" for a limited time period.

TO BYPASS TIMER: (N) Turn counter clockwise but switch is "ON" until the variety of pole config be used for many applications.

SPST

Used to break the hot si

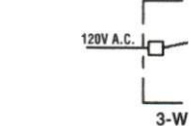
- Coffee Pots
- Air Conditioners
- Lighting
- Ventilating Fans



SPDT

For applications requiring reverse action applications. Three way applications such as:

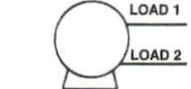
- Hallways
- Corridors
- Self-storage Facilities
- Upper Level/Low



DPST

For applications where 1 Applications such as:

- Large Horse Power
- Pumps
- Indoor Lighting
- Outdoor Lighting



GARANTIA LIMITADA POR UN AÑO

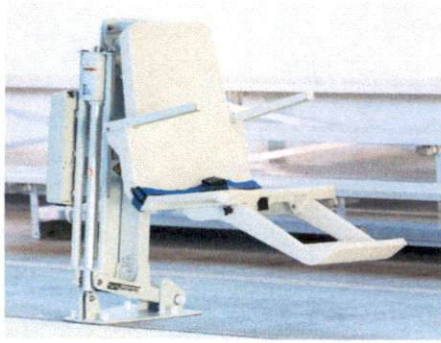
Si en un plazo de un (1) año contado a partir de la fecha de compra, el producto falla debido a un defecto de material o mano de obra, Intermatic Incorporated lo reparará o reemplazará, a opción propia, de forma gratuita. Esta garantía se aplica solamente al comprador particular original y no es transferible. Esta garantía no se aplica en los casos siguientes: (a) daños en unidades causados por accidente, caídas o abuso durante su manipulación, fuerza mayor o cualquier uso negligente; (b) unidades que hayan sido sometidas a una reparación no autorizada, abiertas, desmontadas o modificadas de otra forma; (c) unidades que no se hayan usado según las instrucciones; (d) daños que excedan el costo del producto; (e) lámparas selladas y bombillas, LED y pilas; (f) el acabado de cualquier parte del producto, tal como la superficie y el desgaste debido a la intemperie, ya que esto se considera como un desgaste natural; (g) daños durante el transporte, costos de instalación iniciales, costos de desmontaje o costos de reinstalación.

INTERMATIC INCORPORATED NO SERÁ RESPONSABLE DE LOS DAÑOS EMERGENTES O CONSECUENTES. ALGUNOS ESTADOS NO PERMITEN LA EXCLUSIÓN O LIMITACIÓN DE LOS DAÑOS EMERGENTES O CONSECUENTES, POR LO QUE ES POSIBLE QUE NO SE APLIQUE EN SU CASO LA LIMITACIÓN O EXCLUSIÓN ANTERIOR. ESTA GARANTÍA SUSTITUYE LAS DEMÁS GARANTÍAS EXPLÍCITAS O IMPLÍCITAS. TODAS LAS GARANTÍAS IMPLÍCITAS, INCLUIDA LA GARANTÍA DE COMERCIALIZACIÓN Y LA GARANTÍA DE IDONEIDAD PARA CIERTO FIN, SE MODIFICAN AQUÍ PARA EXISTIR SÓLO SEGÚN ESTÁN CONTENIDAS EN ESTA

If within one (1) year from the date of purchase, the original household purchase units caused by accident, dropped, damaged or modified in any way not authorized repair with instructions; (d) damages e batteries; (f) the finish on any p normal wear and tear; (g) transi

INTERMATIC INCORPORATED V STATES DO NOT ALLOW THE E SO THE ABOVE LIMITATION OR OTHER EXPRESS OR IMPLIED OF MERCHANTABILITY AND T MODIFIED TO EXIST ONLY AS

multiLift™



A flanged pool lift, with left or right side mounting, and optional folding seat version.

- Third-party tested & verified ADA compliant
- Integrated armrests
- State of California compliant
- 350 lb/159kg lifting capacity
- Retrofit anchor jig is standard
- Optional folding seat assembly
- LiftOperator® Intelligent Controller
- Powder-coated stainless steel and aluminum construction



Lift Color

GRAY MIST

Due to printing technology actual color may differ.



New Construction Jig with Anchors
500-5000A



Wheel-A-Way mobility option provides flexibility to transport the lift if needed



Optional folding seat assembly

Description		Shipping – (Class 150)			
Model No.	Pool Lift with Armrests	Weight	Length	Width	Height
575-0000	multiLift	200 lbs/91kg	50"	28"	2
575-0000N	multiLift, no anchor				

Note:

- Includes battery, charger, battery console cover, water-resistant hand control, footrest, seat belt assembly, armrests and retrofit anchor jig.

Parts & Accessories

- 1001495 Battery
- 500-5200T Cover
- 500-5500 Wheel-A-Way
- 900-1000 Seat Belt
- 300-6700A Anchors, set of 4
- 300-6900 Retrofit Anchor Jig
- 300-6800A Anchor Bolts, set of 4
- 970-5000T Seat Saver Cover
- 900-6000 Stability Strap
- 170-3000A Armrest Replacement (pair)

multiLift with Folding Seat

Description		Shipping – (Class 77.5)			
Model No.	Description	Weight	Length	Width	Height
575-0100	multiLift with folding seat*	225 lbs/103kg	50"	24"	28"
575-0100N	multiLift with folding seat, no anchor*	225 lbs/103kg			
575-0105	multiLift with armrests and folding seat	230 lbs/104kg	127cm	61cm	71cm
575-0105N	multiLift with armrests and folding seat, no anchor	230 lbs/104kg			

Note:

- Includes battery, charger, battery console cover, water-resistant hand control, footrest, seat belt assembly and retrofit anchor jig.

* Models without armrests are not compliant with State of California requirements.

Parts & Accessories

- 1001495 Battery
- 500-5100FCT Folding Seat Cover
- 160-6000T Folding Seat
- 900-2000 Stability Vest
- 900-4000 Seat Pad
- 970-0000T Seat Saver Cover
- 170-2320 Armrest Assembly, gray, left & right

New Construction Guidelines

Scenario	Pool Lift	Anchor Jig
Order pool lift and new construction jig at same time	575-3000	500-5000 (no anchors)
Order new construction jig ahead of pool lift	575-3000N	500-5000A (comes with anchors)

