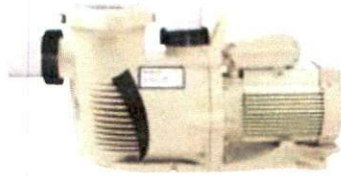


WHISPERFLOXF®

HIGH PERFORMANCE PUMP



KEY FEATURES

Cam and Ramp™ Lid

Makes inspection and cleaning simple and quick

Built-in handle

For easy installation

Union connectors

2.5" or 3" union connectors included

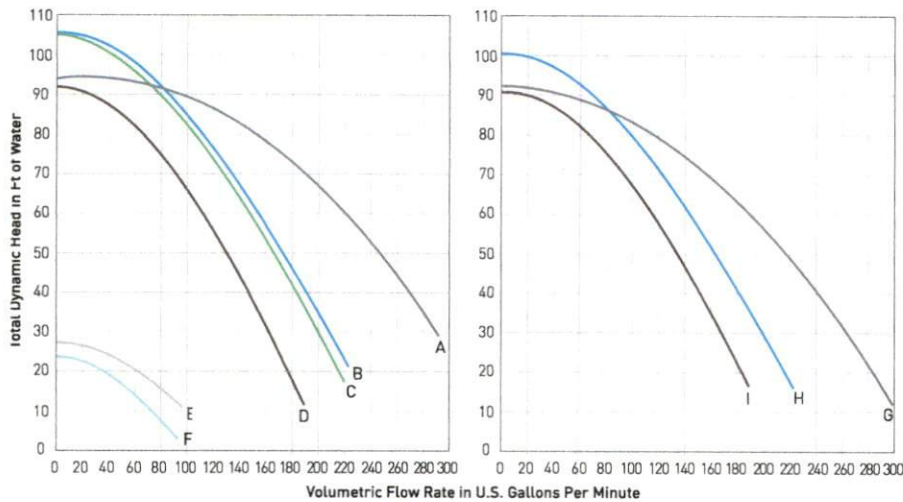
Oversized strainer basket

Extends time between cleanings

TEFC/Super-Duty motor options

Provide superior performance and longevity

PERFORMANCE CURVES



Performance Curve	Model	Description
A	XFE-20	5 HP, Single Speed Full Rated
A	XFET-20	5 HP, TEFC Super-Duty Single Speed
G	XFK-20	5 HP, 3-Phase, Super-Duty Motor
B	XFE-12	3 HP, Single Speed Full Rated
B, E	XFDS-12	3 HP, 2-Speed Full Rated
B	XFET-12	3 HP, TEFC Super-Duty Single Speed
H	XFK-12	3 HP, 3-Phase, Super-Duty Motor
C	XF-12	3 HP, Single Speed Full Rated
D	XFE-8	2 HP, Single Speed Full Rated
D	XFET-8	2 HP, TEFC Super-Duty Single Speed
D	XF-8	2 HP, Single Speed Full Rated
D, F	XFDS-8	2 HP, 2-Speed Full Rated
D	XFE-30	2.5 HP, Single Speed Up Rated
D	XF-30	2.5 HP, Single Speed Up Rated
D, F	XFDS-30	2.5 HP, 2-Speed, Up Rated
I	XFK-8	2 HP, 3-Phase, Super-Duty Motor

Pumps and replacement motors that are single speed and one (1) Total HP or greater cannot be sold, offered for sale, or installed in a residential pool for filtration use in California, Title 20 CCR sections 1601-1609.



1620 Hawkins Ave | Sanford, NC 27330 | United States | 800.831.7133 | pentair.com

All Pentair trademarks and logos are owned by Pentair plc. WhisperFloXF®, WhisperFlo®, Challenger® and Cam and Ramp™ are trademarks and/or registered trademarks of Pentair Water Pool and Spa, Inc. and/or its affiliated companies in the United States and/or other countries. Because we are continuously improving our products and services, Pentair reserves the right to change specifications without prior notice.

Pentair is an equal opportunity employer.

P1-108 2/19 ©2019 Pentair Water Pool and Spa, Inc. All rights reserved.

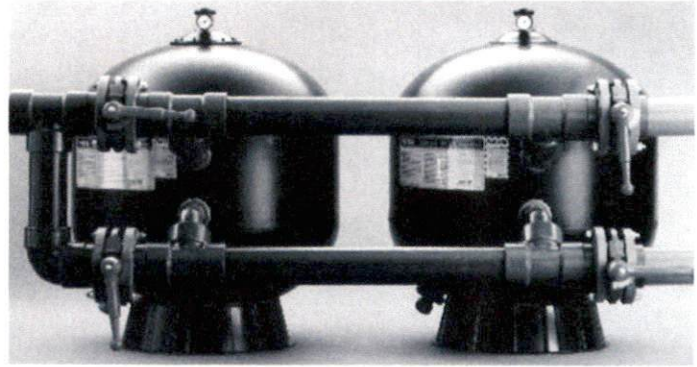
SCH 40 & 80 FOR TR100C, TR140C, TR100C-3 & TR140C-3

TANDEM FILTER PIPING KITS FOR 2 & 3 IN. FILTERS

These Tandem Filter Piping Kits are designed specifically for use with the Triton® TR100C, TR140C, Triton TR100C-3 and TR140C-3 Sand Filters to make the best even better.

We are providing this additional service for your convenient one-stop shopping. Pipe and filters are all you need.

Pipe is not included in kits.



Tandem Filter Piping Kits for Triton TR100C, TR140C, TR100C-3 and TR140C-3 Sand Filters

CALIFORNIA PROPOSITION 65 WARNING

⚠ **WARNING:** Cancer and Reproductive Harm.
 ⚠ **AVERTISSEMENT:** Peut Causer le Cancer et des Dommages au Système Reproducteur.
 ⚠ **ADVERTENCIA:** Cáncer y Daño Reproductivo.
www.p65warnings.ca.gov

Ordering Information

Product	Model
For Plumbing Two TR100C or TR140C Filters	
146400	3 in. Two filter kit, SCH 40 (200 GPM)
146402	4 in. Two filter kit, SCH 40 (300 GPM)
146404	6 in. Two filter kit, SCH 40 (700 GPM)
146403	4 in. Two filter kit, SCH 80 (300 GPM)
146405	6 in. Two filter kit, SCH 80 (700 GPM)
For Plumbing Two TR100C-3 or TR140C-3 Filters	
147400	3 in. Two filter kit, SCH 40 (200 GPM)
147402	4 in. Two filter kit, SCH 40 (300 GPM)
147404	6 in. Two filter kit, SCH 40 (700 GPM)
147401	3 in. Two filter kit, SCH 80 (200 GPM)
147403	4 in. Two filter kit, SCH 80 (300 GPM)
147405	6 in. Two filter kit, SCH 80 (700 GPM)

Product	Model
Adder Kits for TR100C and TR140C Filters ¹	
146406	4 in. Single filter kit, SCH 40
146408	6 in. Single filter kit, SCH 40
146407	4 in. Single filter kit, SCH 80
146409	6 in. Single filter kit, SCH 80
Adder Kits for TR100C-3 and TR140C-3 Filters	
147406	4 in. Single filter kit, SCH 40
147408	6 in. Single filter kit, SCH 40
147407	4 in. Single filter kit, SCH 80
147409	6 in. Single filter kit, SCH 80

Note: All kits include hardware, fittings, gaskets.

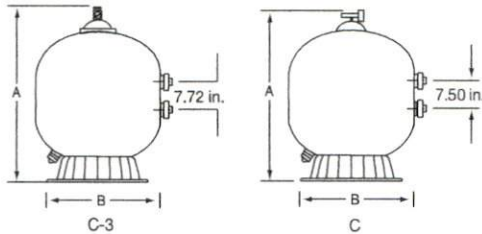
Note: All kits include hardware, fittings, gaskets and butterfly valves.

Filters	Filter Area Sq. Ft.	Manifold Pipe Dia.	Filter Rate Sq. Ft.		Turnover Capacity		
			15 GPM	20 GPM	6 Hours	8 Hours	10 Hours
TANDEM TRITON 140C FILTER INSTALLATION							
6 TR 140's	42.36	6 in.	635	—	228,600	304,800	381,000
		8 in.	—	847	304,920	406,560	508,200
7 TR 140's	49.42	6 in.	741	—	266,760	355,680	444,600
		8 in.	—	988	355,680	474,240	592,800
8 TR 140's	56.48	8 in.	847	—	304,920	406,560	508,200
		8 in.	—	1130	406,800	542,400	678,000

TRITON® C SERIES COMMERCIAL SAND FILTERS

TRITON HD FILTER

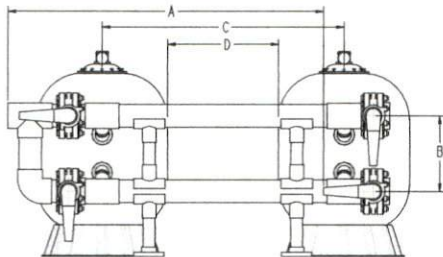
The Triton heavy duty (HD) filter is a thirty-inch fiberglass filter that offers a maximum operating pressure of 75 PSI. This filter is specifically designed for special high-pressure commercial applications that require up to 98 gpm, and is ideal for all heavy-duty commercial applications.



TR100 HD

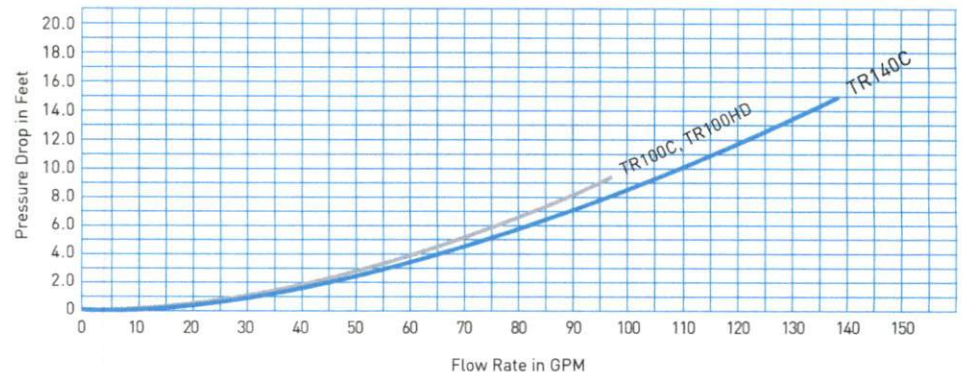
Triton Commercial Series Sand Filter Specifications								
Model Number	Filter Area Sq. Ft.	Flow Rate	Turnover Capacity Gallons		Dimension		Media Required	
		15 GPM/sq. ft.*	6 Hours	8 Hours	A	B	Sand	Sand/Gravel
TR100C	4.91	74	26,640	35,520	39 3/4"	30 1/2"	600 lbs.	450 lbs./150 lbs.
TR140C	7.06	106	38,160	50,880	45 1/4"	36 1/2"	925 lbs.	650 lbs./275 lbs.
TR100C-3	4.91	74	26,640	35,520	39 3/4"	30 1/2"	600 lbs.	450 lbs./150 lbs.
TR140C-3	7.06	106	38,160	50,880	45 1/4"	36 1/2"	925 lbs.	650 lbs./275 lbs.

*15 GPM/sq. ft. typical commercial flow rate.



Two Filter System	A	B	C	D	Total Wt.
3" --TR100C	82 3/4"	17 5/8"	48" Min.	18" Min.	2,300 lbs.
3" --TR140C	88 3/8"	17 5/8"	54" Min.	18" Min.	3,200 lbs.
4" --TR140C	95 3/4"	19 3/16"	54" Min.	18" Min.	2,300 lbs.
6" --TR140C	111 3/4"	24 7/8"	54" Min.	18" Min.	3,550 lbs.

Note: 6" piping needs to be rotated upward as shown at 25° so handle will clear the floor.



1620 HAWKINS AVE., SANFORD, NC 27330 800.831.7133 WWW.PENTAIRCOMMERCIAL.COM

All Pentair trademarks and logos are owned by Pentair, Inc. Triton® is a registered trademark of Pentair Water Pool and Spa, Inc. and/or its affiliated companies in the United States and/or other countries. Because we are continuously improving our products and services, Pentair reserves the right to change specifications without prior notice. Pentair is an equal opportunity employer.



RAINBOW™

HIGH CAPACITY CHLORINE/ BROMINE FEEDERS

- Designed for ease of use and simple maintenance
- Drain valve allows easier draining for safer recharging or winterizing
- Standard threaded inlet and outlet fittings included for easy installation

HC-3340
40 lb. capacity

HC-3330
30 lb. capacity

HC-3315
15 lb. capacity



THE PERFORMANCE LEADER IN AUTOMATIC SANITIZATION FOR LARGE RESIDENTIAL AND COMMERCIAL POOLS

The INLET control valve side of the feeder connects to the plumbing on the discharge side of the pump, before the filter. The OUTLET side of the feeder connects to the pool return line after the filter and/or heater, pool cleaner, diverter valves, or any other installed equipment. Installation of a corrosion-resistant check valve such as #R172288 by Pentair between the feeder inlet and outlet and the equipment is strongly recommended to check backflow of chemicals. This helps ensure equipment longevity.

AVAILABLE FROM:



1620 HAWKINS AVE, SANFORD, NC 27330 800.831.7133 WWW.PENTAIRPOOL.COM

All Pentair trademarks and logos are owned by Pentair, Inc. Rainbow™ is a trademark of Pentair Water Pool and Spa, Inc. and/or its affiliated companies in the United States and/or other countries. Because we are continuously improving our products and services, Pentair reserves the right to change specifications without prior notice. Pentair is an equal opportunity employer.

pumps • filters • heaters • heat pumps • automation • lighting • cleaners • sanitizers • water features • maintenance products

1/14 Part # R5-1012 ©2014 Pentair Water Pool and Spa, Inc. All rights reserved.



MODELS & SPECIFICATIONS

Model	HC-3315	HC-3330	HC-3340	
Part Number	R171215	R171230	R171240	
Height	21.5"	39.125"	49.75"	
Width	8"	8"	8"	
Depth	15"	15"	15"	
Maintenance Clearance	22.75"	40.375"	51"	
Capacity (lbs.)	15	30	40	
@ 100% Setting	Flow rate (GPM)	34	34	11.5
	Maximum Output Rate, Chlorine* (lbs./hr.)-Pool at listed flowrate	2.8	4.6	3.0
	Maximum Output Rate, Chlorine* (lbs./hr.)-Spa at listed flowrate	4.8	7.9	5.7
	Maximum Output Rate, Bromine* (lbs./hr.)-Pool at listed flowrate	0.6	1.1	1.7
@ 50% Setting	Flow rate (GPM)	17.8	17.8	9.2
	Output Rate, Chlorine* (lbs./hr.)-Pool at listed flowrate	2.1	3.4	2.6
	Output Rate, Chlorine* (lbs./hr.)-Spa at listed flowrate	1.8	3.0	5.4
	Output Rate, Bromine (lbs./hr.)-at listed flowrate	0.3	0.6	0.9
Maximum Pool Size @ 34 GPM (Chlorine-Gals)	224,000	369,000	658,500	
Maximum Pool Size @ 34 GPM (Bromine-Gals)	99,200	164,000	292,600	

Maximum working pressure – 50 psi

* Results based on use of 1" Trichlor tablets.

WHEN ACCURACY IS CRITICAL, DON'T JUST TAKE OUR WORD FOR IT!

FlowVis® was the first - and is now the most - NSF 50 certified flow meter in the world! Because when accuracy matters, you should put your trust in the experts.



NSF - 50 CERTIFIED
L1

FLOWVIS® MODELS

Feature	FV-15	FV-15-U	FV-2	FV-2-U	FV-25	FV-3	FV-3-40	FV-4	FV-6	FV-8
NSF 50 Certified	✓	✓	✓	✓	✓	✓	✓	✓	✓	-
Pipe Size	1.5"	1.5"	2"	2"	2.5"	3"	3"	4"	6"	8"
Operating Range (GPM)	10-80	10-90	10-110	10-110	10-110	70-240	70-240	150-460	300-1000	600-1800
Average Accuracy	98.7%	98.7%	99.4%	99.0%	99.2%	98.9%	99.2%	99.6%	98.1%	N/A*
NSF 50 Level	L1	L1	L1	L1	L1	L1	L1	L1	L1	L1

*FlowVis® model FV-8 is available only with FlowVis® Digital upgrade included. For accuracy of this model, refer to the FV-8 information in the FlowVis Digital table below.

FLOWVIS® DIGITAL MODELS

Feature	FV-15	FV-15-U	FV-2	FV-2-U	FV-25	FV-3	FV-3-40	FV-4	FV-6	FV-8
NSF 50 Certified	✓	✓	✓	✓	✓	✓	✓	✓	✓	✓
Pipe Size	1.5"	1.5"	2"	2"	2.5"	3"	3"	4"	6"	8"
Operating Range (GPM)	10-80	10-90	10-110	10-110	10-110	70-240	70-240	150-460	300-1000	600-1800
Average Accuracy	98.6%	99.0%	98.8%	98.5%	98.3%	98.4%	98.0%	98.3%	98.9%	98.9%
NSF 50 Level	L1	L1	L1	L1	L1	L1	L1	L2	L1	L1

NOTE: FlowVis is the only NSF 50 certified Level 1 flow meter in the world today.

Guide for NSF 50 Accuracy Levels

- Level 1 (L1):** Average of absolute values of all single point deviations must be $\leq 2\%$. Single point deviations shall not exceed $\pm 4\%$.
- Level 2 (L2):** Average of absolute values of all single point deviations must be $\leq 5\%$. Single point deviations shall not exceed $\pm 7.5\%$.
- Level 3 (L3):** Average of absolute values of all single point deviations must be $\leq 10\%$. Single point deviations shall not exceed $\pm 12.5\%$.
- Level 4 (L4):** Average of absolute values of all single point deviations must be $\leq 12.5\%$. Single point deviations shall not exceed $\pm 15\%$.
- Level 5 (L5):** Average of absolute values of all single point deviations must be $\leq 15\%$. Single point deviations shall not exceed $\pm 20\%$.

DIRECTIONS: Please follow the SOFA specific flow rates, sump specifications, and flow path zone information below. The installation must conform to these minimum/maximum requirements including the SOFA dimension defined in Figure 1. The flow path zone is defined by dimensions A through E. The installed sump may be manufactured or field-built and it may be larger/deeper than Figure 1. Please write the Cover Model Number, orientation, and SOFA Model Flow Rating on the *VGBA DRAIN COVER IDENTIFICATION INFORMATION* label that comes with each AquaStar Pool Products, Inc. drain cover.

Cover Model Number:
WAV12WRxxx

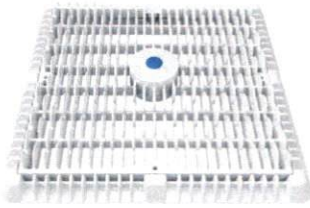
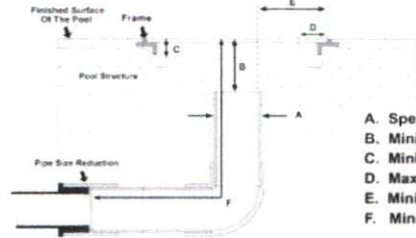


FIGURE 1 – SOFA MODEL & FLOW PATH



- A. Specified PVC Pipe Size
- B. Minimum Sump Depth
- C. Minimum Ledge Depth
- D. Maximum Ledge Width
- E. Minimum Pipe Offset
- F. Minimum Length Before Reduction

FOR MOST CURRENT INFORMATION
SCAN THE QR CODE OR VISIT
WWW.AQUASTARPOOLPRODUCTS.COM/FLOWCODE
PRINTED DOCUMENTS MAY NOT HAVE THE MOST CURRENT FLOW
RATINGS OR INSTALLATION OPTIONS.

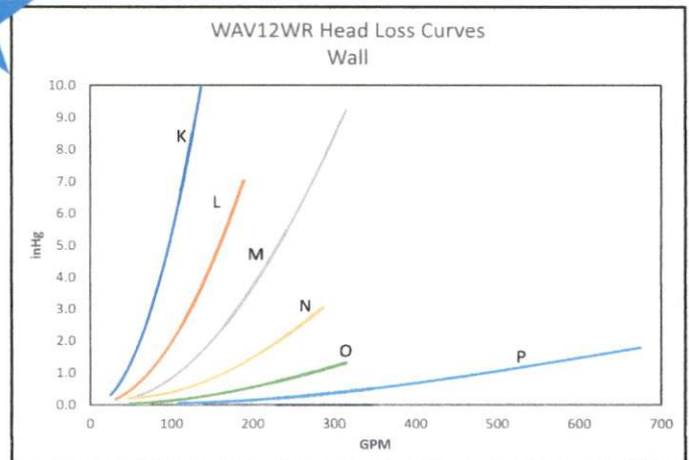
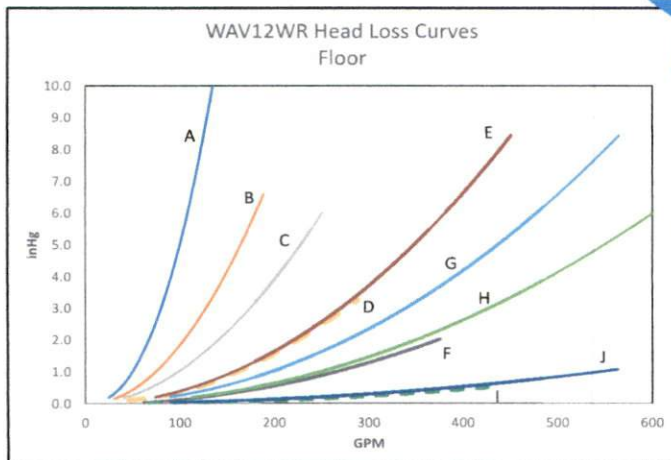


SOFA Model No.	Pipe Size (Nominal)	Pipe Depth (Minimum)	Orientation (Wall / Floor)	Flow Rating (GPM)	Head Loss Curve
WAV12WR-12f_A-1.5b_B3_C0.3_D0.7_E3.5_F16	1.5" (b)	3"	Floor (f)	126	A
WAV12WR-12f_A-2b_B3_C0.3_D0.7_E4.9_F16	2" (b)	3"	Floor (f)	150	B
WAV12WR-12f_A-2.5b_B3_C0.3_D0.7_E4.7_F16	2.5" (b)	3"	Floor (f)	200	C
WAV12WR-12f_A-3b_B3_C0.3_D0.7_E4.5_F16	3" (b)	3"	Floor (f)	230	D
WAV12WR-12f_A-3s_B5.6_C0.3_D0.7_E3_F16	[Sump P/N 12-3SB] 3" (s)	5.6"	Floor (f)	360	E
WAV12WR-12f_A-4b_B3_C0.3_D0.7_E3.75_F16	[Sump P/N 12-4SB] 4" (b)	3"	Floor (f)	300	F
WAV12WR-12f_A-4s_B6_C0.3_D0.7_E3_F16	[Sump P/N 12-3SB] 4" (s)	6"	Floor (f)	450	G
WAV12WR-12f_A-4s,2.5b_B6_C0.3_D0.7_E3_F16	[Sump P/N 12-3SB] 4"(s), 2.5" (b)	6"	Floor (f)	450	H
WAV12WR-12f_A-6b_B3_C0.3_D0.7_E3_F16	6" (b)	3"	Floor (f)	340	I
WAV12WR-12f_A-6b_B10.5_C0.3_D0.7_E2.9_F16	[Sump P/N 12-6SB] 6" (b)	10.5"	Floor (f)	450	J
WAV12WR-12w_A-1.5b_B3_C0.3_D0.7_E3.5_F16	1.5" (b)	3"	Wall (w)	126	K
WAV12WR-12w_A-2b_B3_C0.3_D0.7_E3.5_F16	2" (b)	3"	Wall (w)	150	L
WAV12WR-12w_A-2.5b_B3_C0.3_D0.7_E4.7_F16	2.5" (b)	3"	Wall (w)	200	M
WAV12WR-12w_A-3b_B3_C0.3_D0.7_E4_F16	3" (b)	3"	Wall (w)	230	N
WAV12WR-12w_A-4b_B3_C0.3_D0.7_E3.75_F16	[Sump P/N 12-4SB] 4" (b)	3"	Wall (w)	250	O
WAV12WR-12w_A-6b_B10.5_C0.3_D0.7_E2.9_F16	[Sump P/N 12-6SB] 6" (b)	10.5"	Wall (w)	450	P

Note 1: "SOFA Model No" nomenclature; bottom pipe = (b), side pipe = (s). See Fig 1 for capital letters A through E

Note 2: Head loss inHg is measured 16 to 24 inches from the finish surface of the pool. Reference Fig 1 dimension F.

Note 3: [Sump P/N 12-xSB] are the part numbers marked inside these manufactured Sump Buckets. Use of these sumps is not required. Installing WAV12WRxxx covers on field-built sumps is permitted. To order WAV12WRxxx product with these sumps, please see the catalog or visit www.aquastarpoolproducts.com.

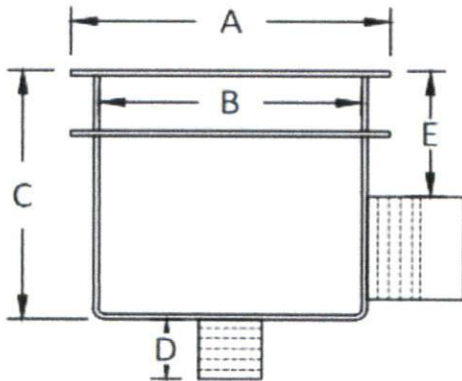


Fiberglass Field Built Sumps



- * Premium fiberglass & resin for maximum structural strength
- * Durable smooth gelcoat interior & pebble pipe
- * Exterior perimeter FRP waterstop flange
- * Non-Metallic- No grounding
- * Rough sand exterior finish
- * Custom configurations fabricated

- * 2" Bottom fpt.x fpt for hydro relief valve
- * Threaded PVC SCH 40 pressure test plug for outlet (up to 8")
- * All PVC connections are ASTM 2466 compliant
- * Designed to ANSI/APSP/ICC-16 2017 for use only with noted SOFA (Suction Outlet Fitting Assembly) Covers



Field Built Sump Product Dimensions (Inches)

Size (inches)	ASA Part #	A	B	C	D	E	SCH40 Outlet fpt x soc	SOFA List
9 x 9 x 12	FBS-50-809-3	11"	9"	12"	4.5"	6.5"	3"	A
12 x 12 x 12	FBS-50-812-4	14"	12"	12"	4.5"	6.5"	4"	B1
12 x 12 x 18	FBS-50-812-18-6	14"	12"	18"	4.5"	10"	6"	B2
18 x 18 x 20	FBS-50-818-6	20"	18"	20"	4.5"	10"	6"	C
18 x 18 x 24	FBS-50-818-24-8	20"	18"	24"	4.5"	13.5"	8"	D
24 x 24 x 30	FBS-50-824-30-10	26"	24"	30"	4.5"	17"	10" soc x soc	E

Compatible SOFA for A.S.A. MFG FBS Sumps

List A	List B1	List B2	List C	List D	List E
9" x 9"	12" x 12" - 4"	12" x 12" - 6"	18"x18"x20"	18"x18"x24"	24" x 24"
Aquastar 9MFXXX WAV9WRXXX 914XXX	Aquastar 12MFXXX WAV12WRXXX 1216XXX	Aquastar 12MFXXX WAV12WRXXX 1216XXX	Aquastar 18MFXXX WAV18WRXXX P18XXX SUN18HPHXXX	Aquastar 18MFXXX WAV18WRXXX P18XXX SUN18HPHXXX	Aquastar 24XXX WAV24XXX
Waterway 640-479XV	Waterway 640-472XV	Waterway 640-472XV	Waterway 640-477XV	Waterway 640-477XV	Waterway 640-476XV
Hayward WG1031HF	Hayward WG1032HF		Hayward WG1033HF		

- 1) All Field Built Sumps shall be installed in accordance with the manufacturer's installation instructions.
- 2) All SOFA covers shall be installed in accordance with the manufacturer's installation instructions.
- 3) The A.S.A. MFG Inc. Fiberglass Field Built Sump Is intended only to be installed in a reinforced concrete pool structure.
- 4) Any field modifications made to the SOFA and not authorized by the manufacturer's installation instructions shall void the SOFA certification. No modification shall be made to the SOFA structure or flow path unless a new configuration has been certified as a new SOFA
- 5) Fiberglass Field Built Sump Life = Life of the Aquatic Center.

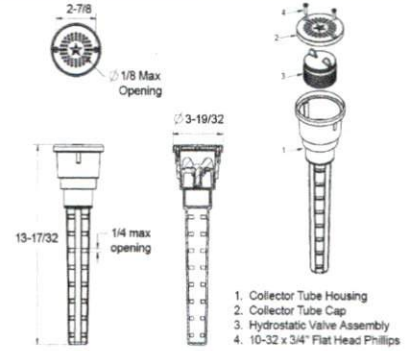
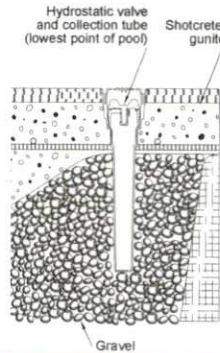
Notes: SOFA = Suction Outlet Fitting Assembly
Compatible based on manufacturer's specifications at the time of publication. Subject to change. See Manufacturer's website for updates.

v040622

Self-Contained Hydrostatic Valve Assembly



Part # HVCxxx



FEATURES

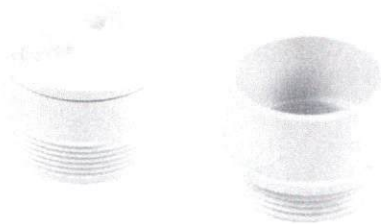
- Self-contained unit has a built-in collector tube
 - Installs directly into the pool finish with no additional plumbing connection required
 - Helps prevent swimming pool damage due to hydrostatic pressure beneath the pool shell when the pool is drained
- 12 per case

HVC05xxx – Cap and Screws

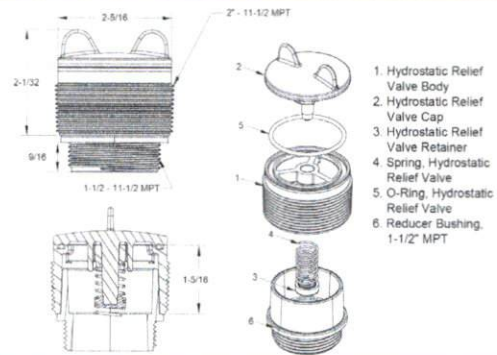
STANDARD COLORS



2" Hydrostatic Relief Valve



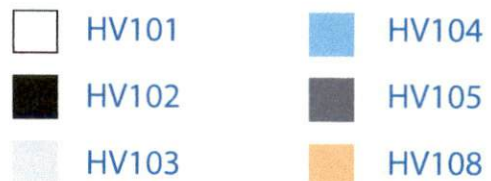
Part # HVxxx



FEATURES

- Equalizes pressure for high water tables
 - Fins enable easy twist for installation and removal
 - Fits any AquaStar and most other manufacturers' 2" threads
 - Manufactured from superior UV-resistant engineered polymers
 - Includes 2" x 1 1/2" reducer bushing
 - Reducer bushing must be glued into hydrostatic relief valve using ABS glue
- 25 per case

STANDARD COLORS



FLOW STAR® SKIMMER WITH WATER STOP FACE, FLOAT ASSEMBLY, BASKET, LID AND ADJUSTABLE COLLAR



Built in conformance with NSF 50 and SPS 3 standards



FEATURES

Adjustable collar

New weir clip lock secures the clips in the weir door

Self-contained gunite grip, water stop on the faceplate to prevent water leaks

Large self-contained basket with lock-in feature (will not float)

Underwater dampers on the faceplate for noise reduction on weir plate – especially on windy days

Super strong engineered polymer upper housing

Extra heavy duty PVC lower unit (no transitional glue required)

2½" outside slip and 2" inside slip (outside skimmer)

2" threads for pressure testing (inside skimmer)

Built-in overflow or fill line knock out

Upper housing has pre-cut rebar cutouts with pre-drilled holes for tie wire

Skimmer Lid and Collar G154 UV tested

NSF 50 approved for commercial use, 25 GPM min, 55 GPM max – approved for residential use up to 100 GPM

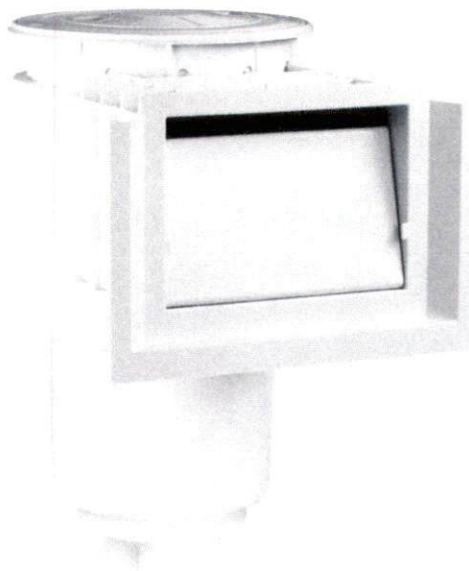
See page 212 for code compliance and sizing

Optional custom name/logo engraved on the lid (requires minimum 500 piece lid order)

See page 157 for Skimmer with Ozone Port

1 per case

Three lid options available (sold separately):
round, square or snap-in round/square



Optional vacuum plate with snap-in lug can be glued in under lid for easy storage p/n SK43101



Optional BFB adapter converts skimmer fittings to 4" or 3" tee for improved hydraulics and code compliance p/n BFB101

Part # SKR1xx

For vinyl and fiberglass options, see pages 138-143

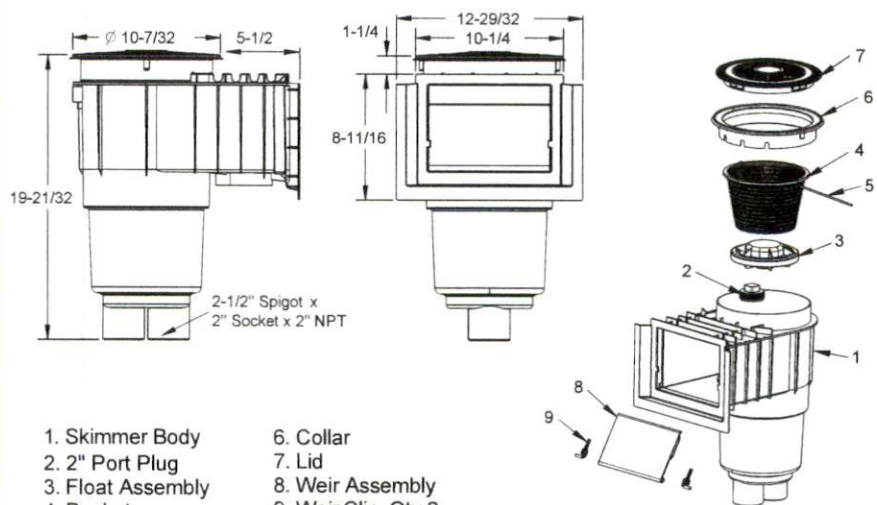
STANDARD COLORS

- SKR101 – White
- SKR102 – Black
- SKR103 – Light Gray
- SKR104 – Blue
- SKR105 – Dark Gray
- SKR108 – Tan

Snap-in Round/Square Lid and Collar (sold separately) p/n SK65xxx

Square Lid and Collar (sold separately) p/n SK64xxx

Available without lid and collar SKR1NL101 (white only)



STANDARD COLORS 101 102 103 104 105 108

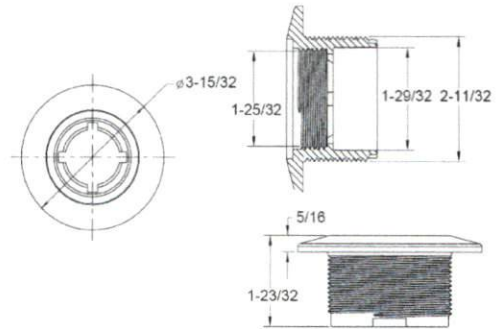
Large Wall Fitting with Threaded OD (Fits 1½" Pipe)

FEATURES

- Standard 1022 fits outside 1½" pipe, threads inside 2" pipe
 - 1½" FPT in the front face
 - Large flange camouflages pipe and surface construction variations
 - See also decorative cover p/n DCxxx to make existing 1022s like new with different colors
 - Manufactured from engineered polymer UV-resistant ABS material
- 250 per case
Also available in Clear (p/n ES102200)



Part # ES1022xx



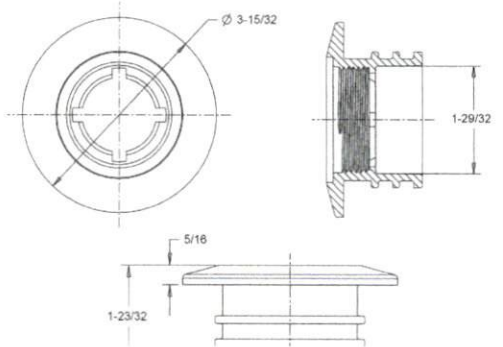
Large Wall Fitting with Water Stop (Fits 1½" Pipe)

FEATURES

- Fits outside 1½" pipe, 1½" FPT in the front face
 - Similar to standard 1022 but with integrated water stop to reduce leaks
 - Large flange camouflages pipe and surface construction variations
 - See also decorative cover p/n DCxxx to make existing 1022s like new with different colors
 - Manufactured from engineered polymer UV-resistant ABS material
- 250 per case
Also available in Clear (p/n ES1022WB00)



Part # ES1022WBxx



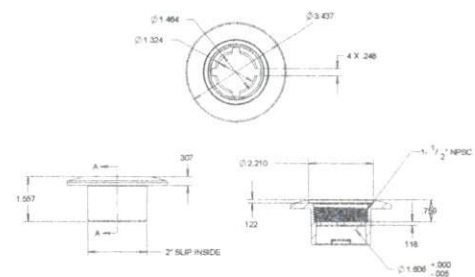
Large Wall Fitting (Fits Inside 2" Pipe)

FEATURES

- Fits inside 2" pipe, 1½" FPT in the front face
 - Large flange camouflages pipe and surface construction variations
 - See also decorative cover p/n DCxxx to make existing 1022s like new with different colors
 - Manufactured from engineered polymer UV-resistant ABS material
- 250 per case
Also available in Clear (p/n ES1022SI2000)



Part # ES1022SI20xx



39 ProStar # VLK15Txx
REPLACES # W4008WHP



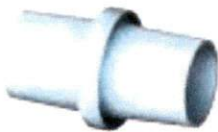
Safety Vacuum Lock Wall Fitting (1 1/2" NPT)
Part # VLK20Txx (2" NPT)
Meets SPS-4-2009 Standard

40 ProStar # HWN153
REPLACES # AXV574P



Flow Gauge

41 ProStar # HWN158
REPLACES # AXV092



Hose Connector

42 ProStar # SZTHxx
REPLACES # V109



4-Foot Regular Hose

43 ProStar # SZTHLxx
REPLACES # V532



4-Foot Leader Hose

44 ProStar # HWN163xx
REPLACES # AXV414604



Wing Kit and Pod Shoes

2" X 4" GUTTER DECK DRAIN (FITS 2" PIPE)

FEATURES

Fits over 2" pipe

1½" threaded FPT inside for pressurizing/
winterizing

Manufactured from engineered polymer
UV-resistant PVC material (p/n GDD101
is manufactured from engineered polymer
UV-resistant ABS material)

1½" reducer bushing available
p/n BU101-2x1.5

½" stackable extender available
p/n PE20101

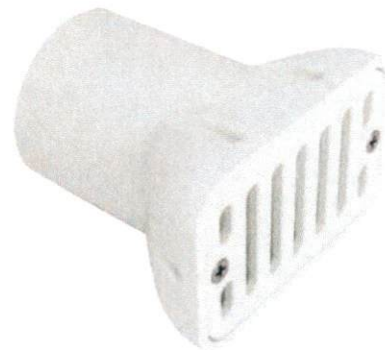
Stainless steel screws

Also available as grate only with two screws

CAUTION: Not to be used as a suction outlet
under any circumstances







25 per case

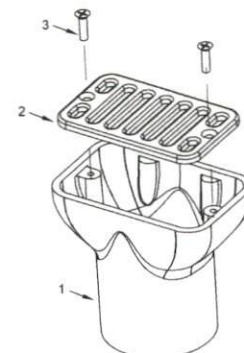
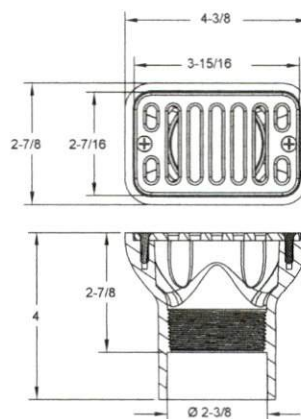
Grate only p/n GDDLxxx
25 per case



Part # GDDxxx

STANDARD COLORS

 101	 104
 102	 105
 103	 108



1. 2" x 4" gutter/deck drain body
2. 2" x 4" gutter/deck drain cover
3. 10 x 3/4 flat head Phillips screw, qty 2

STANDARD COLORS 101 102 103 104 105 108

Large Wall Fitting with Threaded OD (Fits 1½" Pipe)

FEATURES

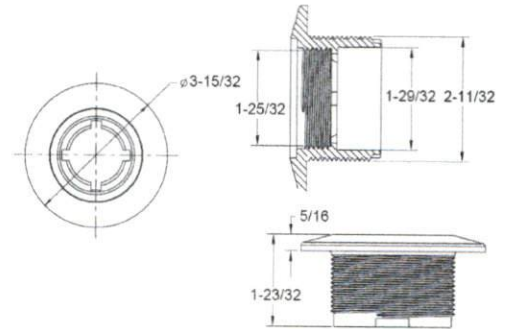
- Standard 1022 fits outside 1½" pipe, threads inside 2" pipe
- 1½" FPT in the front face
- Large flange camouflages pipe and surface construction variations
- See also decorative cover p/n DCxxx to make existing 1022s like new with different colors
- Manufactured from engineered polymer UV-resistant ABS material

250 per case

Also available in Clear (p/n ES102200)



Part # ES1022xx



Large Wall Fitting with Water Stop (Fits 1½" Pipe)

FEATURES

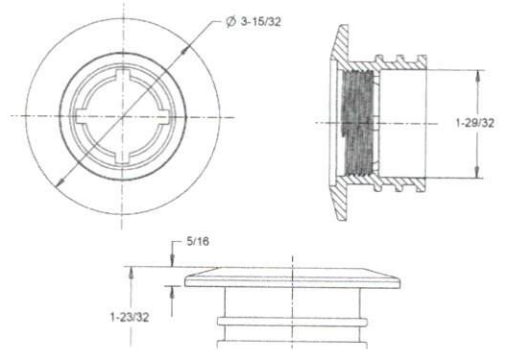
- Fits outside 1½" pipe, 1½" FPT in the front face
- Similar to standard 1022 but with integrated water stop to reduce leaks
- Large flange camouflages pipe and surface construction variations
- See also decorative cover p/n DCxxx to make existing 1022s like new with different colors
- Manufactured from engineered polymer UV-resistant ABS material

250 per case

Also available in Clear (p/n ES1022WB00)



Part # ES1022WBxx



Large Wall Fitting (Fits Inside 2" Pipe)

FEATURES

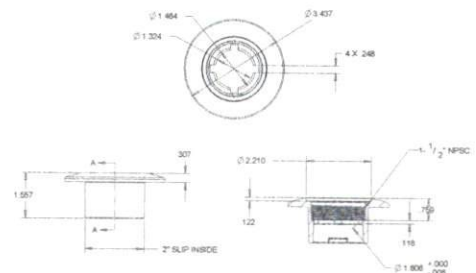
- Fits inside 2" pipe, 1½" FPT in the front face
- Large flange camouflages pipe and surface construction variations
- See also decorative cover p/n DCxxx to make existing 1022s like new with different colors
- Manufactured from engineered polymer UV-resistant ABS material

250 per case

Also available in Clear (p/n ES1022SI2000)



Part # ES1022SI20xx



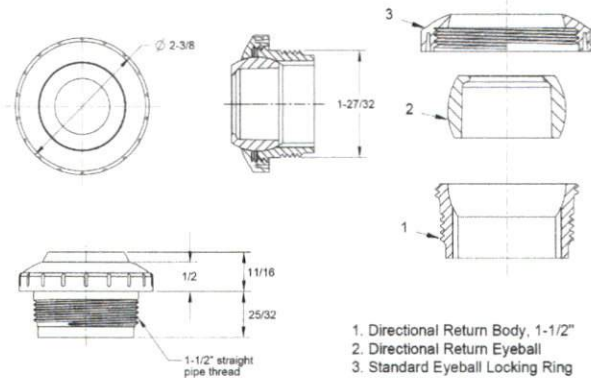


Three-Piece Directional Eyeball Fitting 1½" MPT

Product Image and Dimensions



Part # 81xx



- 1. Directional Return Body, 1-1/2"
- 2. Directional Return Eyeball
- 3. Standard Eyeball Locking Ring

FEATURES

- Screws into 1½" FPT
- Manufactured from engineered polymer UV-resistant ABS material

250 per case

STANDARD COLORS

- 8101 Additional orifice size suffix:
 - 8102 82xx - ¾"
 - 8103 83xx - ½"
 - 8104 84xx - Slotted Down-Jet
 - 8105 (i.e. 8201 = white ¾" orifice)
 - 8108 Also available in Clear
- (p/n 8100, 8200, 8300, 8400)

AquaStar Specific Eyeball GPM, Velocity and Head Loss Ratings

GPM	81xx (1")		82xx (3/4")		83xx (1/2")		84xx (Down-Jet)	
	Velocity (fps)	Head Loss (ft)	Velocity (fps)	Head Loss (ft)	Velocity (fps)	Head Loss (ft)	Velocity (fps)	Head Loss (ft)
5	2.2	0.1	3.6	0.5	8.2	2.4	10.1	2.1
10	4.4	0.5	7.3	1.8	16.3	8.7	20.2	8.1
15	6.6	1.1	10.9	3.7	24.5	18.6	30.3	20.7
20	8.8	1.9	14.5	6.2	32.4	32.0		
25	11.0	3.0	18.2	9.4				
30	13.2	4.4	21.8	13.1				
35	15.4	6.1	25.4	17.3				
40	17.6	8.0						
45	19.7	10.2						
50	21.9	12.7						

STANDARD COLORS 101 102 103 104 105 108

Large Wall Fitting with Threaded OD (Fits 1½" Pipe)

FEATURES

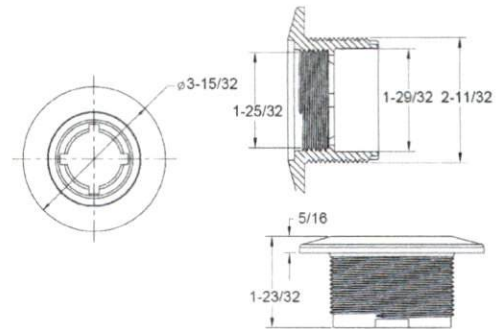
- Standard 1022 fits outside 1½" pipe, threads inside 2" pipe
- 1½" FPT in the front face
- Large flange camouflages pipe and surface construction variations
- See also decorative cover p/n DCxxx to make existing 1022s like new with different colors
- Manufactured from engineered polymer UV-resistant ABS material

250 per case

Also available in Clear (p/n ES102200)



Part # ES1022xx



Large Wall Fitting with Water Stop (Fits 1½" Pipe)

FEATURES

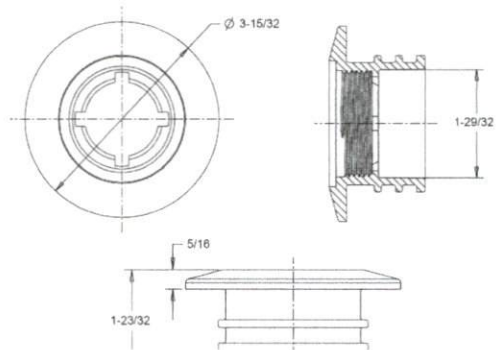
- Fits outside 1½" pipe, 1½" FPT in the front face
- Similar to standard 1022 but with integrated water stop to reduce leaks
- Large flange camouflages pipe and surface construction variations
- See also decorative cover p/n DCxxx to make existing 1022s like new with different colors
- Manufactured from engineered polymer UV-resistant ABS material

250 per case

Also available in Clear (p/n ES1022WB00)



Part # ES1022WBxx



Large Wall Fitting (Fits Inside 2" Pipe)

FEATURES

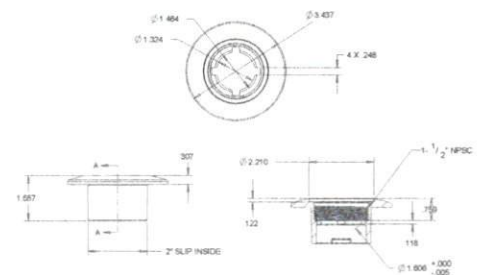
- Fits inside 2" pipe, 1½" FPT in the front face
- Large flange camouflages pipe and surface construction variations
- See also decorative cover p/n DCxxx to make existing 1022s like new with different colors
- Manufactured from engineered polymer UV-resistant ABS material

250 per case

Also available in Clear (p/n ES1022SI2000)



Part # ES1022SI20xx








FEATURES

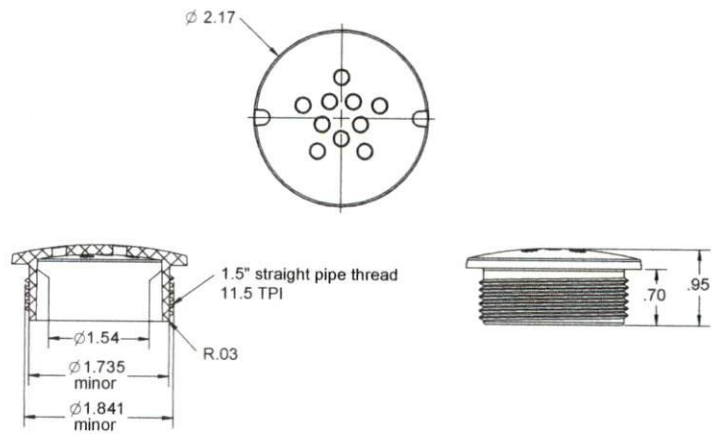
- Available in six standard colors
- No exposed components
- Installs flush with bottom of pool/spa



Part # BPxxx

STANDARD COLORS

- | | |
|---|---|
|  101 |  104 |
|  102 |  105 |
|  103 |  108 |





Durable and reliable



FEATURES

Can be installed alone or with drain/vacuum pool or spa at all times

Easy to install

Overflow protection and adjustable presets

Uses the same size lid and collar as AquaStar skimmers

Includes a 2" to 1½" adapter

¾" plug included if overflow is not needed

¾" water supply inlet

Valve is made of high-strength engineered resin

Float is injection-molded; thread is pre-molded

All fittings are made of PVC

No transition glue needed

Float thread is ½" MPT

1 per case

NEW



Part # AFBxxx

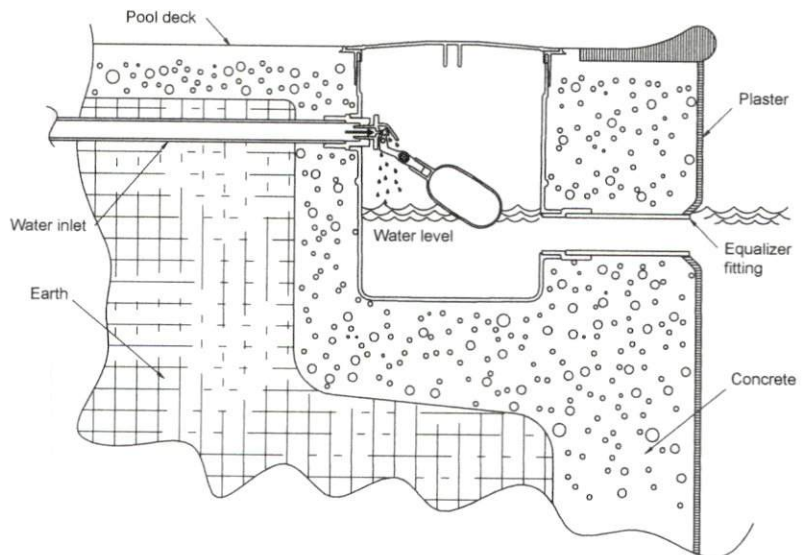
Also available float only part # AFBV

STANDARD COLORS

- AFB101 – White
- AFB102 – Black
- AFB103 – Light Gray
- AFB104 – Blue
- AFB105 – Dark Gray
- AFB108 – Tan

Also available without lid and collar
p/n AFBNLxxx

Also available cover only
p/n SKRTxxx



GloBrite® White LED Lights

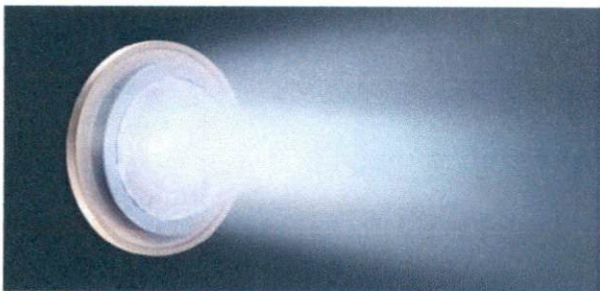


ADD THE MAGIC AND VIBRANCY OF WHITE LED LIGHTING

GloBrite white lights provide vivid, brilliant, pure illumination for your inground pool's features. Incorporating an extended service life, two dimming levels and the latest technology, GloBrite white lights are the brightest and most efficient LEDs on the market.

- GloBrite white lights are equivalent to 190W of incandescent light and offer pure white light for your inground pool features
- Compatible with IntelliTouch®, EasyTouch® and SunTouch® Control Systems
- When used with an optional IntelliBrite® Controller, pool and spa owners without an automation system can enjoy fast and easy control of their pool lighting
- Quick and easy installation
- Does not require grounding or bonding

Feedback



BUILT FOR EFFICIENCY

GloBrite White LED Lights are engineered with the brightest, most efficient LED light technology on the market today. They use only 15 watts to deliver the equivalent of 190 watts of incandescent light. And, savings add up with extended service life.

Item #: 602103

Description: GloBrite White LED Light

Voltage: 12

Wattage: 15W

Cord Length (Ft.): 50

Carton Qty.: 1

Carton Wt. (Lbs.): 6

Item #: 602104

Description: GloBrite White LED Light

Voltage: 12

Wattage: 15W

Cord Length (Ft.): 100

Carton Qty.: 1

Carton Wt. (Lbs.): 9

Item #: 602105

Description: GloBrite White LED Light

Voltage: 12

Wattage: 15W

Cord Length (Ft.): 150

Carton Qty.: 1

Carton Wt. (Lbs.): 12

Feedback

Item #: 620040

Description: Gunite Niche for GloBrite (includes white, blue, grey and tan rings)

Voltage:

Wattage:

Cord Length (Ft.):

Carton Qty.: 1

Carton Wt. (Lbs.): 1.3

Item #: 620039

Description: Vinyl Niche for GloBrite (includes white, blue, and grey rings)

Voltage:

Wattage:

Cord Length (Ft.):

Carton Qty.: 1

Carton Wt. (Lbs.): 1.3

Junction Box - 4 Light Connection Pool & Spa Junction Box

Item PJB4175



PRODUCT DESCRIPTION

These polymeric junction boxes are code compliant and provide safe, reliable connections for low-voltage lights. Specially designed for pools, pool-spa combinations, and landscape applications. Junction boxes are for outdoor use only.

FEATURES

- ▶ Accommodates flexible cords and non-metallic conduits from 1/2" to 1"
- ▶ Watertight, multifixture enclosure
- ▶ Easy access ground bar
- ▶ PA114 Wall/Post Mounting Bracket (sold separately)
- ▶ Complies with NEC Code 680.24 requirements for junction boxes
- ▶ 1-year warranty

APPLICATIONS

- ▶ Landscape Lighting
- ▶ Underwater Lighting

TECHNICAL DATA

General

Model Number	PJB4175
Description	4 Light Connection Pool & Spa Junction Box
UPC Code	078275094048
Brand	Intermatic
Country of Origin (Intermatic)	INDIA
Warranty Period	1-Year limited

Control Specifications

Number of Light Connections	4
-----------------------------	---

Mechanical Specifications

Mounting Options	Bracket; Post; Rod; Wall
------------------	--------------------------

Dimensions

Product Dimensions (H x W x D) in	8.75 x 5 x 4.625 in
Non Metallic Conduit Size	1/2"-1"

Material Specifications

Body Material	Plastic
---------------	---------

Electrical Specifications

Number of Receptacle Knockouts	5
--------------------------------	---

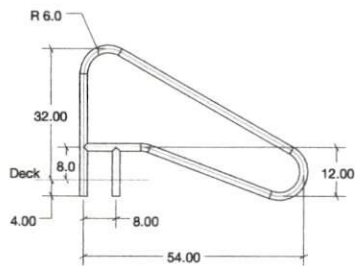
Packaging

Unit Carton Dimensions (H x W x L) in	5.25 x 5 x 9 in
---------------------------------------	-----------------

Standards and Certifications

Hand & Stair Rails

DMS-102



- Tubing: 1.90" OD
- Wall Thickness*: .049" or .065"
- Stainless Steel: 304 or 316L Marine Grade** (add -MG to part number)
- Bends: 6" Radius
- Options: Powder-coating and SealedSteel Salt Friendly
- Recommended Anchors: AS-100P or AS-100B (order separately)
- Recommended Escutcheon: EP-100F (order separately)
- **Sold as a single rail**

* Minimum rail thickness is .065 for Commercial

** Minimum requirement for salt pools is 316L Marine Grade

DMS-102

Model No.	Description	Shipping			
		Weight	Length	Width	Height
DMS-102A	54" Center Grab Rail, .049"	15 lbs — 19 lbs 7 — 9kg	59" 150cm	39" 99cm	2" 5cm
DMS-102B	54" Center Grab Rail, .065"	15 lbs — 19 lbs 7 — 9kg	59" 150cm	39" 99cm	2" 5cm
DMS-102P	54" Center Grab Rail, .049" w/welded mounting plate	15 lbs — 19 lbs 7 — 9kg	59" 150cm	39" 99cm	2" 5cm

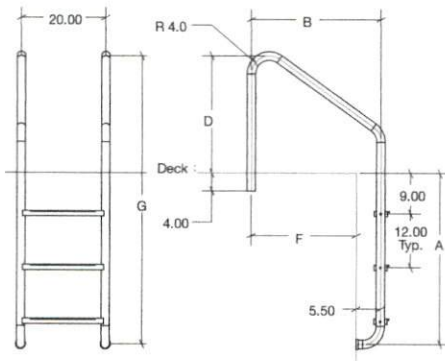
Standard Plus Ladder

Stainless Steel Tread Ladder



- Tubing: 1.90" OD
- Wall Thickness: .065", .109" or .145"
- Stainless Steel: 304
- Treads: LTDF-103 (Stainless Steel)
- Bends: 4" Radius
- Options: Powder-coating and SealedSteel Salt Friendly (rails only)
- Recommended anchors: AS-200B for 1.50" and AS-100B for 1.90" (order separately)
- Recommended escutcheons: EP-150 for 1.50" and EP-100F for 1.90" (order separately)

* Call Customer Service at 800.824.4387 for availability of ladders of 1.50"OD tubing



stainless

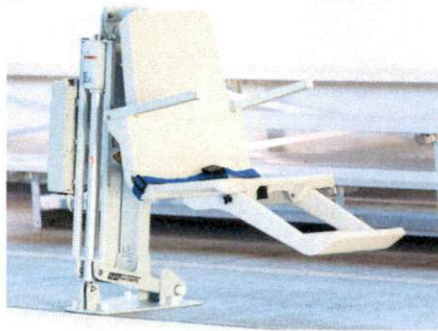
MODEL NUMBER	D	B	A	F	G
10037 TO 10039	26.00	23.00	28.00	17.50	54.00
10040 TO 10042	26.00	23.00	40.00	17.50	66.00
10043 TO 10045	26.00	23.00	52.00	17.50	78.00
10046 TO 10048	26.00	23.00	64.00	17.50	90.00
10049 TO 10051	28.00	29.00	28.00	23.50	54.00
10052 TO 10054	28.00	29.00	40.00	23.50	66.00
10055 TO 10057	28.00	29.00	52.00	23.50	78.00
10058 TO 10060	28.00	29.00	64.00	23.50	90.00
10061 TO 10063	31.00	35.00	28.00	29.50	58.00
10064 TO 10066	31.00	35.00	40.00	29.50	71.00
10067 TO 10069	31.00	35.00	52.00	29.50	83.00
10070 TO 10072	31.00	35.00	64.00	29.50	95.00

Model No.	Description	Shipping		
		Weight	Length	Width Height
10037 to 10039*	23" 2-Step Ladder with .065", .109", .145" tubing	30, 42, 54 lbs 14, 20, 24kg	61" 155cm	29" 74cm 2" 5cm
10040 to 10042	23" 3-Step Ladder with .065", .109", .145" tubing	36, 50, 62 lbs 16, 23, 28kg	70" 177cm	28" 71cm 2" 5cm
10043 to 10045	23" 4-Step Ladder with .065", .109", .145" tubing	40, 58, 70 lbs 18, 26, 32kg	82" 208cm	28" 71cm 2" 5cm
10046 to 10048	23" 5-Step Ladder with .065", .109", .145" tubing	46, 64, 78 lbs 21, 29, 35kg	90" 229cm	28" 71cm 2" 5cm
10049 to 10051	29" 2-Step Ladder with .065", .109", .145" tubing	30, 44, 56 lbs 14, 20, 25kg	59" 150cm	39" 99cm 2" 5cm
10052 to 10054	29" 3-Step Ladder with .065", .109", .145" tubing	36, 52, 64 lbs 16, 24, 29kg	85" 216cm	39" 99cm 2" 5cm
10055 to 10057	29" 4-Step Ladder with .065", .109", .145" tubing	42, 58, 72 lbs 20, 26, 33kg	85" 216cm	39" 99cm 2" 5cm
10058 to 10060	29" 5-Step Ladder with .065", .109", .145" tubing	48, 66, 80 lbs 22, 30, 36kg	85" 216cm	39" 99cm 2" 5cm
10061 to 10063	35" 2-Step Ladder with .065", .109", .145" tubing	34, 48, 62 lbs 15, 22, 28kg	59" 150cm	39" 99cm 2" 5cm
10064 to 10066	35" 3-Step Ladder with .065", .109", .145" tubing	38, 56, 70 lbs 17, 25, 32kg	76" 193cm	40" 102cm 2" 5cm
10067 to 10069	35" 4-Step Ladder with .065", .109", .145" tubing	44, 64, 78 lbs 20, 29, 35kg	76" 193cm	40" 102cm 2" 5cm
10070 to 10072	35" 5-Step Ladder with .065", .109", .145" tubing	50, 70, 86 lbs 23, 32, 40kg	76" 193cm	40" 102cm 2" 5cm

Note:

- Frames extend 5 1/2" from the pool wall. Frame is secured to the pool deck with two anchor sockets on 20" centers. The lower end of the frame is bent to meet the pool wall and fitted with two white rubber bumpers (WRB-100A for 1.90" and WRB-102A for 1.50").
- * Example 10037=.065", 10038=.109", 10039=.145" tubing

multiLift™



A flanged pool lift, with left or right side mounting, and optional folding seat version.

- Third-party tested & verified ADA compliant
- Integrated armrests
- State of California compliant
- 350 lb/159kg lifting capacity
- Retrofit anchor jig is standard
- Optional folding seat assembly
- LiftOperator® Intelligent Controller
- Powder-coated stainless steel and aluminum construction



Lift Color

GRAY MIST

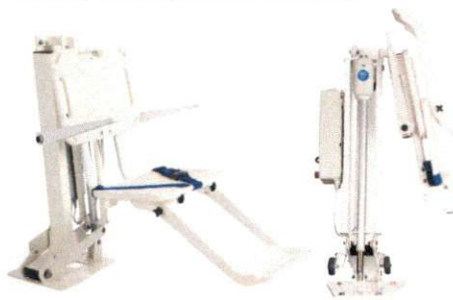
Due to printing technology actual color may differ.



New Construction Jig with Anchors
500-5000A



Wheel-A-Way mobility option provides flexibility to transport the lift if needed



Optional folding seat assembly

Description		Shipping – (Class 150)			
Model No.	Pool Lift with Armrests	Weight	Length	Width	Height
575-0000	multiLift	200 lbs/91kg	50"	28"	2
575-0000N	multiLift, no anchor				

Note:

- Includes battery, charger, battery console cover, water-resistant hand control, footrest, seat belt assembly, armrests and retrofit anchor jig.

Parts & Accessories

- 1001495 Battery
- 500-5200T Cover
- 500-5500 Wheel-A-Way
- 900-1000 Seat Belt
- 300-6700A Anchors, set of 4
- 300-6900 Retrofit Anchor Jig
- 300-6800A Anchor Bolts, set of 4
- 970-5000T Seat Saver Cover
- 900-6000 Stability Strap
- 170-3000A Armrest Replacement (pair)

multiLift with Folding Seat

Description		Shipping – (Class 77.5)			
Model No.	Description	Weight	Length	Width	Height
575-0100	multiLift with folding seat*	225 lbs/103kg	50"	24"	28"
575-0100N	multiLift with folding seat, no anchor*	225 lbs/103kg			
575-0105	multiLift with armrests and folding seat	230 lbs/104kg	127cm	61cm	71cm
575-0105N	multiLift with armrests and folding seat, no anchor	230 lbs/104kg			

Note:

- Includes battery, charger, battery console cover, water-resistant hand control, footrest, seat belt assembly and retrofit anchor jig.

* Models without armrests are not compliant with State of California requirements.

Parts & Accessories

- 1001495 Battery
- 500-5100FCT Folding Seat Cover
- 160-6000T Folding Seat
- 900-2000 Stability Vest
- 900-4000 Seat Pad
- 970-0000T Seat Saver Cover
- 170-2320 Armrest Assembly, gray, left & right

New Construction Guidelines

Scenario	Pool Lift	Anchor Jig
Order pool lift and new construction jig at same time	575-3000	500-5000 (no anchors)
Order new construction jig ahead of pool lift	575-3000N	500-5000A (comes with anchors)

