

Equipment List One Life Bowls & Blends

Water Heater

AO Smith Signature 40 gallon Model # E640R45DV

Mega Top Sandwich/ Salad Preparation Refrigerator

Atosa USA Inc Model MSF8307GR

Dipping Ice Cream Freezer

Avantco ADC-8-HC

Under Counter Ice Machine

Manitowoc UYF0190A

Blenders

Vitamix 36019

Search

Atlanta-Edgewood Lowe's Open until 10 PM

Delivery to 30307



Prices, Promotions, styles, and availability may vary. Our local stores do not honor online pricing. Prices and availability of products and services are subject to change without notice. Errors will be corrected where discovered, and Lowe's reserves the right to revoke any stated offer and to correct any errors, inaccuracies or omissions including after an order has been submitted.

Plumbing / Water Heaters

### A.O. Smith Signature 100 40-Gallons Short 6-year Limited Warranty 4500-Watt Double Element Electric Water Heater

Item #916158 Model #E6-40R4SDV  
Shop A.O. Smith ★★★★★ 3765

**\$439.00**

**Bulk Savings**  
\$412.66 / Each (6% off) when you buy 3+

**\$417.05** when you choose  
5% savings on eligible purchases every day. [Learn how](#) **OR** **\$74/mo** suggested payments with 6 month special financing. [Learn how](#)

Ideal hot water delivery for households with 2-3 people when sized appropriately  
Two 4,500-watt copper heating elements provide a first hour delivery of 55 gallons  
Save money and energy with this energy efficient model that operates at a 0.92 Uniform Energy Factor (UEF)

#### What We Offer

**Protection**  
From \$69.97

[Learn more about Protection.](#)

**Pickup**  
Ready within 3 hrs.

**Delivery**  
As soon as Today

FREE Pickup at [Atlanta-Edgewood Lowe's](#)  
7 in Stock Aisle **BACK WALL | Bay 68**

1 +  [Add to Cart](#)

[Get It Installed](#)

In use/lifestyle images - accessories not included

**Easy & Free Returns**  
Return your new, unused item in-store or ship it back to us free of charge. [Learn More](#)



**GET IT INSTALLED** | **NEW** Same-Day Water Heater Installation  
Call 1-866-422-1414 before noon Monday through Friday.\*

[Get Started](#)

[Get Details >](#)

Here are some similar items ...

- |   |  |  |  |  |  |
|---|--|--|--|--|--|
|   |  |  |  |  |  |
| <b>A.O. Smith Signature 100 50-Gallons Short 6-year ...</b><br><span style="color: gold;">★★★★★</span> 2624<br><b>\$519.00</b><br><a href="#">+ Add to Cart</a> | <b>A.O. Smith Signature 100 50-Gallons Tall 6-year ...</b><br><span style="color: gold;">★★★★★</span> 2647<br><b>\$549.00</b><br><a href="#">+ Add to Cart</a> | <b>A.O. Smith Signature 100 40-Gallons Tall 6-year ...</b><br><span style="color: gold;">★★★★★</span> 1356<br><b>\$459.00</b><br><a href="#">+ Add to Cart</a> | <b>A.O. Smith Signature 100 38-Gallon Lowboy 6-yea...</b><br><span style="color: gold;">★★★★★</span> 871<br><b>\$529.00</b><br><a href="#">+ Add to Cart</a> | <b>A.O. Smith Signature 100 40-Gallon Short 6-year ...</b><br><span style="color: gold;">★★★★★</span> 1673<br><b>\$599.00</b><br><a href="#">+ Add to Cart</a> | <b>A.O. Smith 1 50-Gallons T</b><br><span style="color: gold;">★★★★★</span><br><b>\$629.00</b><br><a href="#">+ Add to C</a> |

#### BETTER TOGETHER

CURRENTLY VIEWED  Selected  Selected  Selected



Faint, illegible text at the top of the page, possibly a list of references or a short article.



Main body of faint, illegible text, appearing to be a list of references or a detailed article.

Bottom section of faint, illegible text, possibly a conclusion or a final list of references.



**A.O. Smith Signature 100 40-Gallons Short 6-year Limited Warranty 4500-Watt Double**

**\$439.00**



**EASTMAN 24-in x 24-in Plastic Water Heater Drain Pan with Fitting**

**\$10.98**



**SharkBite 3/4-in Push-to-connect x 3/4-in Push-to-connect Brass Multi Turn Stop and Waste Valve**

**\$14.98**



**Charlotte Pipe 3/4-in CPVC Coupling**

**\$0.62**

Subtotal for (4) items

**\$465.58**

Add to cart 4 items

## Overview

A. O. Smith's Signature 100 Series 40-Gallon Short 6-Year Limited Warranty Electric Water Heater is designed to provide efficient and reliable hot water for households with 2 to 3 people when sized appropriately. A. O. Smith's 40-gallon model is designed to last. It features dual copper heating elements, a protective anode rod and a ceramic fused tank shield designed to reduce corrosion and provide ultimate tank protection. It also features a self-cleaning dip tube designed to reduce sediment build-up and extend the overall life of the water heater. This added protection comes with a 6-year limited warranty to give you additional peace of mind. Want to save money on your energy bills? This model operates at a 0.92 Uniform Energy Factor (UEF) which can reduce your energy consumption compared to less efficient models. Not sure if this is the right water heater for you? Use our product selector tool to see if this model is the right fit for your hot water needs.

- Ideal hot water delivery for households with 2-3 people when sized appropriately
- Two 4,500-watt copper heating elements provide a first hour delivery of 55 gallons
- Save money and energy with this energy efficient model that operates at a 0.92 Uniform Energy Factor (UEF)
- Short 49.75-in H x 20.5-in diameter design is ideal for condensed spaces like under a staircase or a closet installation
- Premium heating elements, anode rod and fused ceramic tank shield provide superior tank protection and extend water heater life
- Non-CFC polyurethane foam insulation and factory-installed heat trap nipples reduce heat loss for maximum efficiency and energy savings
- Easy temperature control with adjustable thermostat can be set higher for dishwashers and laundry machines or lower as needed
- Factory-installed temperature and pressure relief valve and tamper-proof drain valve ensures safe operation
- 6-Year limited tank and parts, 1-Year limited labor warranty gives you peace of mind

**Operating Manual**  
PDF

**Prop65 Warning Label**  
PDF

**Warranty Guide**  
PDF

**Energy Guide**  
PDF

CA Residents: [Prop 65 Warning\(s\)](#)

## Specifications

General		Dimensions	
<b>Series Name</b>	Signature 100	<b>Diameter (Inches)</b>	20.5
<b>Type</b>	Tank	<b>Family Size</b>	3.0
<b>Features</b>		<b>Height (Inches)</b>	49.75
<b>Foam Insulation</b>	Yes	<b>Insulation Thickness (Inches)</b>	2.25
<b>For Use with Mobile Homes</b>	No	<b>Nominal Capacity (Gallons)</b>	40.0
<b>GPH Recovery at 90 Degrees F (Gallons)</b>	20.7	<b>Rated Storage Capacity</b>	37-Gallon
<b>Grade</b>	Residential	<b>Water Connection Size</b>	3/4-in
<b>Hybrid Heat Pump Technology</b>	No	<b>Weight (lbs.)</b>	98.0
<b>Point of Use</b>	No	Compatibility	
<b>Power Source</b>	Electric	<b>Bluetooth Compatibility</b>	No
<b>Temperature and Pressure Relief Valve</b>	Yes	<b>Smart Compatible</b>	No
<b>Uniform Energy Factor</b>	0.92	<b>Wi-Fi Compatibility</b>	No
<b>Use Location</b>	Indoor	Certifications	
<b>Water Connection Location</b>	Top	<b>CA Residents: Prop 65 Warning(s)</b>	<b>Prop 65 WARNING(S)</b>
<b>Water Heater Style</b>	Short	<b>ENERGY STAR Certified</b>	No
<b>Warranty</b>		<b>Safety Listing</b>	UL safety listing
<b>Warranty</b>	6-year limited		



# NEO® 140/190 Undercounter Ice Machines

NEO® 140/190 Undercounter Ice Machines

## Models

- URF-0140A       UYF-0140A       UDF-0190A  
 UDF-0140A       UYF-0190A



U-140 / U-190

- Power
- Delay
- Clean
- Full Bin
- Service

- Ranging from 137 lbs. (62 kg) to 190 lbs. (79 kg) daily ice production
- Only 26" (66.04 cm) wide, 28.50" (72.4 cm) deep, and 38.50" (97.8 cm) high on 6" (15.24 cm) legs
- Cabinet volume 3.037 ft<sup>3</sup> (0.086 m<sup>3</sup>)
- 90 lb. (40.0 Kg) ice storage capacity\*
- \* Application capacity based on: 90% volume x 33lbs/ft<sup>3</sup> average density of ice.

NEO undercounter ice machines are designed to provide ice right where you need it – within reach. Improvements in **Performance**, **Intelligence** and **Convenience** make your ice machine easy to own and less expensive to operate.

**Performance** – NEO produces more ice than ever before while using less water and energy. The storage bin provides industry leading capacity.

**Intelligence** – NEO provides feedback with full bin and service indicators. Delay function allows you to pause your machine for slow periods or days when you're closed.

**Convenience** – NEO offers a forward-sliding storage bin for easy access to refrigeration components without having to move the entire ice machine. Smooth, sealed food-zone with removable water trough, distribution tube, and damper door for faster cleaning. AlphaSan added to key internal components.

Available **LuminIce® Growth Inhibitor** extends cleaning intervals by reducing yeast and bacteria growth keeping your ice machine cleaner, longer.

## Specifications

### BTU Per Hour:

U-140: 2,150 (average)  
2,600 (peak)

U-190: 2,150 (average)  
2,600 (peak)

### Compressor:

Nominal rating: .42 HP

### Operating Limits:

• Ambient Temperature Range:  
40° to 110° F (4.4° to 43.3° C)

• Water Temperature Range:  
45° to 90° F (4.4° to 32.2° C)

• Water Pressure Ice Maker  
Water In:  
Min. 20 psi (137.9 kPa)  
Max. 80 psi (551.1 kPa)



## Ice Shape



**Half Dice**  
3/8" x 1 1/8" x 1/8"  
(.95 x 2.86 x 2.22 cm)



**Dice**  
1/2" x 1/2" x 1/2"  
(2.22 x 2.22 x 2.22 cm)



**Regular**  
1 1/8" x 1 1/8" x 1/8"  
(2.86 x 2.86 x 2.22 cm)

## Ice Machine Electric

115/60/1. (208-230/60/1 and 230/50/1 available.) 115/60/1 ice machines are factory pre-wired with a 6' (180 cm) power cord and NEMA 5-15P-plug configuration. 208-230/60/1 ice machines are factory pre-wired with a 6' (180 cm) power cord only, no plug is supplied.

### Total Amps:

U-140: 115/60/1: Air-cooled: 5 amps  
208-230/60/1: Air-cooled: 2.5 amps

U-190: 115/60/1: Air-cooled: 6 amps  
208-230/60/1: Air-cooled: 3 amps

### Maximum fuse size:

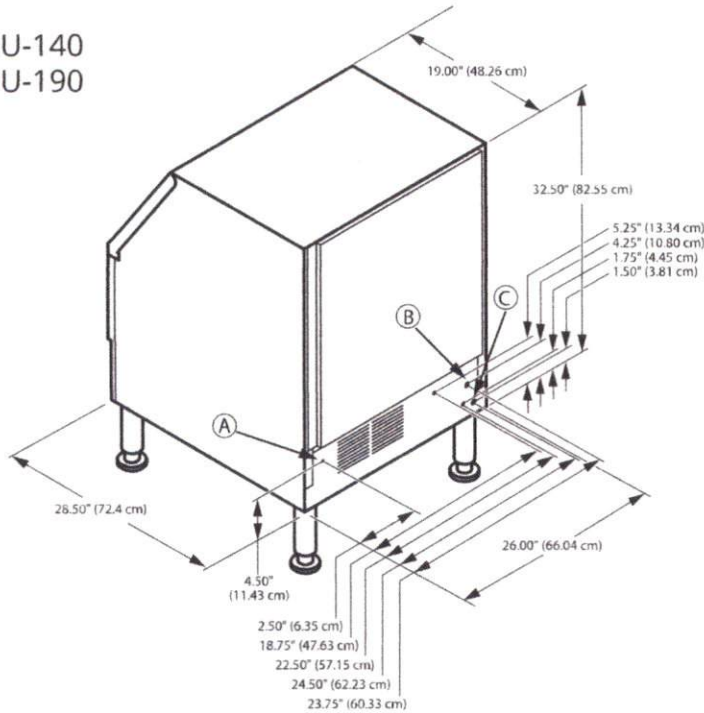
Air-cooled: 15 amps  
HACR-type circuit breakers can be used in place of fuses.



COMPANY WITH  
QUALITY SYSTEM  
CERTIFIED BY DNV  
= ISO 9001:2008 =



U-140  
U-190



**Installation Note** Recommended clearance for top, sides, and back is 5" (12.7 cm) however, there is no minimum clearance required.

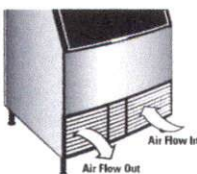
- (A) Electrical Entrance
- (B) 3/8" (0.95 cm) F.P.T. Ice Making Water Inlet
- (C) 1/2" (1.27 cm) F.P.T. Ice Bin Drain

**Specifications**

Model	Ice Shape	Ice Production 24 Hours				Power kWh/ 100 lbs. @ 90°/70°F 32°/21°C	Potable water usage gal/100 lbs. ice @90/70 °F
		70°Air/50°F Water 21°Air/10°C Water		90°Air/70°F Water 32°Air/21°C Water			
URF-0140A	regular	127 lbs	58 kg	95 lbs	43 kg	9.6	16.7
UDF-0140A	dice	135 lbs	61 kg	95 lbs	43 kg	9.8	16.7
UYF-0140A	half-dice	137 lbs	62 kg	100 lbs	45 kg	9.2	16.7
UDF-0190A	dice	198 lbs	90 kg	140 lbs	64 kg	8.4	23.9
UYF-0190A	half-dice	193 lbs	88 kg	140 lbs	64 kg	8.3	21.6

Standard 6" / 15.24 cm adjustable flange foot - gray painted legs included.  
Standard plastic NEO ice scoop included.

**Air Flow**

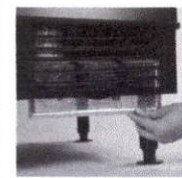


Air in right, air out left, no side vents. Great for installation under countertops and next to other equipment.

**Removable Bin**



**Air Filter**



Simple, tool-free removal for quick access during routine cleaning and maintenance.

Welbilt reserves the right to make changes to the design or specifications without prior notice. ©2018 Manitowoc



"WE MAKE THE KITCHEN BETTER!"

ATOSA USA, INC.

Toll Free: 855-855-0399 Email: info@atosausa.com

www.atosa.com | www.atosausa.com

California, Colorado, Florida, Georgia, Illinois, New Jersey, Ohio, Texas, Washington

# Mega Top Sandwich Prep Tables

## MODELS:

MSF8305GR / MSE3615GR  
MSF8306GR / MSF8307GR / MSF8308GR

### Standard Features

- Stainless steel exterior & interior
- Rear mount compressor with environmentally friendly R290 refrigerant
- Dixell digital controller
- Maintains temperatures between 33°F to 40°F
- Pre-installed 4" deep stainless steel pans
- 10" cutting board
- Recessed door handle(s)
- Self-closing door(s) with stay open feature
- Magnetic door gasket(s) standard for positive door seal
- One(1) pre-installed shelf per section
- Pre-installed casters

### Optional Accessories

- Extra shelves – includes 4 shelf clips per shelf  
MSF8305GR shelf part #: W0402568  
MSF8306GR shelf part #: W0402171  
MSF8307GR shelf part #: W0402569  
MSF8308GR shelf part #: W0402171 left/right shelf, part #: W0402570 middle shelf
- Double overshelf for 48", 60" and 72" models



For the best results of food preservation we recommend setting your refrigerator between 33°F to 38 °F

1. Don't forget to leave the unit some room to breathe!
2. Please clean the condenser frequently to give the unit more fresh air.



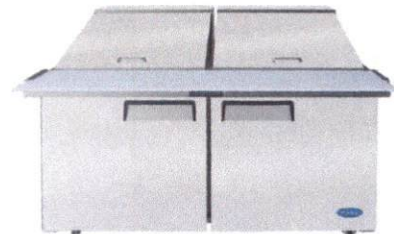
MSF8305GR



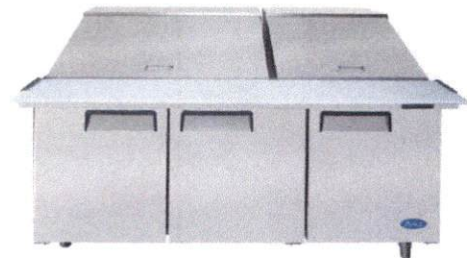
MSE3615GR



MSF8306GR



MSF8307GR



MSF8308GR



2 YEAR PARTS AND LABOR WARRANTY  
5 YEAR COMPRESSOR PART WARRANTY



REV. 05/23



"WE MAKE THE KITCHEN BETTER!"

ATOSA USA, INC.

Toll Free: 855-855-0399 Email: info@atosausa.com

www.atosa.com | www.atosausa.com

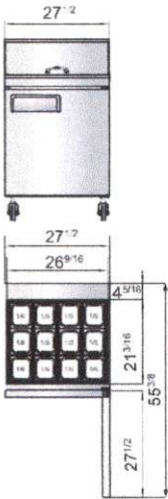
California, Colorado, Florida, Georgia, Illinois,  
New Jersey, Ohio, Texas, Washington

### SPECIFICATIONS

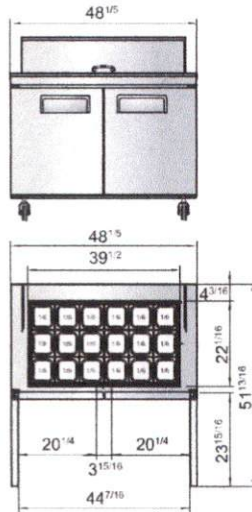
Models	Door	Capacity (Cu.Ft.)	Shelves	Casters (inch)	Rated Current (A)	Voltage (V/Hz/Ph)	HP	Refrigerant	Exterior Dimensions (inch)	Net Weight (lbs)	Gross Weight (lbs)
MSF8305GR	1	7.2	1	5	2.3	115/60/1	1/7	R290	27 <sup>1/2</sup> ×34×47 <sup>1/10</sup>	170	212
MSF3615GR	2	8.7	2	5	2.3	115/60/1	1/7	R290	36 <sup>5/16</sup> ×34×47 <sup>1/10</sup>	174	240
MSF8306GR	2	13.4	2	5	2.3	115/60/1	1/7	R290	48 <sup>1/5</sup> ×34×47 <sup>1/10</sup>	243	293
MSF8307GR	2	17.2	2	5	2.8	115/60/1	1/5	R290	60 <sup>1/5</sup> ×34×47 <sup>1/10</sup>	284	340
MSF8308GR	3	21.1	3	5	2.8	115/60/1	1/5	R290	72 <sup>7/10</sup> ×34×47 <sup>1/10</sup>	331	401

### PLAN VIEW

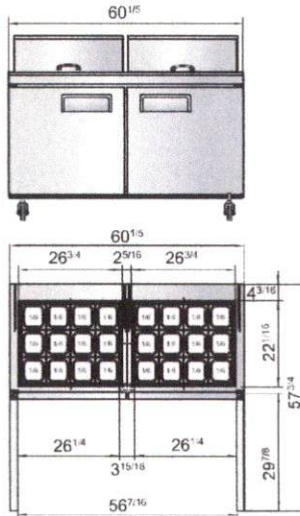
MSF8305GR



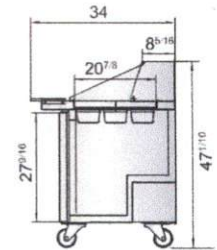
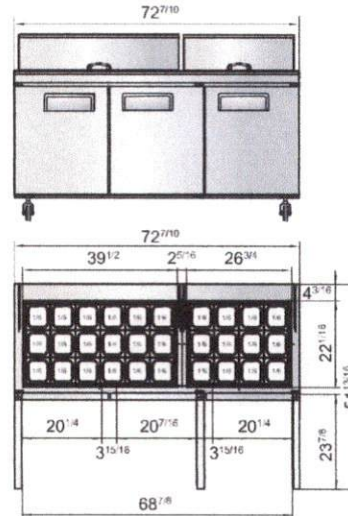
MSF8306GR



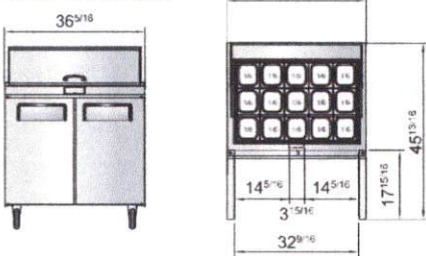
MSF8307GR



MSF8308GR



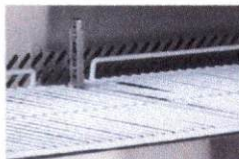
MSF3615GR



Casters



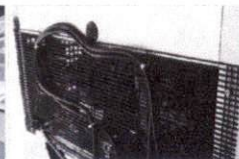
Epoxy shelves



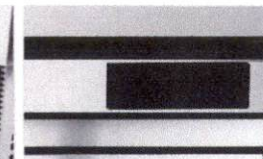
Stainless steel pans



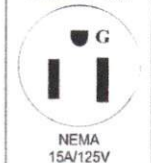
Rear grill



Temperature control



NEMA 5-15P





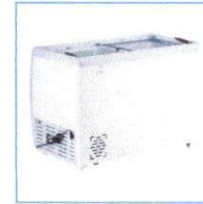
Item #: 360ADC8HC \_\_\_\_\_ Project: \_\_\_\_\_

Qty: \_\_\_\_\_ Date: \_\_\_\_\_ Approval: \_\_\_\_\_



## Avantco ADC-8 Ice Cream Dipping Cabinet - 49"

Item #360ADC8HC



Avantco Refrigeration

### Technical Data

Width	49 Inches
Depth	28 Inches
Height	35 Inches
Interior Width	44 Inches
Interior Depth	21 1/2 Inches
Interior Height	25 1/2 Inches
Amps	4 Amps
Hertz	60 Hertz
Phase	1 Phase
Voltage	115 Volts
Cabinet Type	Merchandising
Capacity	14 cu. ft.
Color	White
Compressor Location	Bottom Mounted
Container Display Capacity	8 Cans
Container Storage Capacity	6 Cans
Door Style	Sliding
Door Type	Glass
Front Style	No Sneeze Guard
Horsepower	2/5 HP
Plug Type	NEMA 5-15P
Refrigerant Type	R-290
Temperature Range	-15 - 10 Degrees F
Total BTU	1092 BTU
Total Container Capacity	14 Cans
Type	Dipping Cabinets

### Features

- Displays up to 8 ice cream tubs; space beneath to display to store 6 back-up tubs
- White, curved-front design with painted steel construction
- Holds temperatures between -15 and 10 degrees Fahrenheit; manual temperature control
- R-290 refrigerant, 115V, 2/5 hp

### Certifications



ETL US



5-15P



ETL Sanitation



Avantco Refrigeration

## Notes & Details

Display, merchandise, and serve a delicious variety of ice cream flavors with this Avantco ADC-8-HC ice cream dipping cabinet! Holding up to 8 ice cream tubs at a time, the unit is perfect for ice cream shops, candy stores, dessert bars, and cafeterias. The frozen storage space beneath the display even provides a convenient place for holding up to 6 back-up flavors, making it a space-efficient unit for businesses with limited space.

A sliding cover protects the ice cream, while helping to retain cold air around the product for a safe holding environment. Because it slides open and closed, it's fast and easy to use, too, which is perfect for those busy rush hours or constant streams of customers in the summer months! The cover also comes equipped with a lid lock to ensure that your ice cream remains protected and temperature controlled.

Featuring a manual control to maintain temperatures from -15 to 10 degrees Fahrenheit, this cabinet ensures that ice cream is held in a proper environment to preserve its quality and consistency. To help achieve this, the robust, bottom-mounted 2/5 hp compressor Uses R-290 refrigerant. This specialized refrigerant has an ozone depletion potential (ODP) of 0 and a global warming potential (GWP) of 3. Plus, for maximum structural rigidity and temperature retention, the cabinet is foamed-in place using polyurethane insulation.

This unit is white painted steel and built with rounded corners for an attractive, sleek appearance. It requires a 115V electrical connection for operation.

**⚠ WARNING:** This product can expose you to chemicals including lead, which are known to the State of California to cause cancer, birth defects, or other reproductive harm. For more information, go to [www.p65warnings.ca.gov](http://www.p65warnings.ca.gov).



### *Best-In-Class Quiet Blending Technology*

The ultimate blender with unparalleled sound reduction, exceptional beverage blends, and improved speed of service.

### *Smart Product Design*

- Twist Lock sound enclosure is easier to remove and clean
- 48-ounce Advance® container creates faster, smoother pours resulting in time and cost savings along with improved customer experience
- Larger centering pad allows for simple, one-step cleaning
- Advanced vibration dampening technology results in a more enjoyable atmosphere
- 6 program buttons with 34 optimized settings for easier, consistent blending
- Air management and powerful 3-peak output HP motor reduces noise, improves reliability, and minimizes downtime

### *La Mejor Tecnología de Licuado Silencioso en su Clase*

La mejor licuadora, con una reducción de ruido incomparable, mezcla de bebidas excepcionales y una mejor velocidad de servicio.

### *Diseño Inteligente del Producto*

- Su cubierta antiruido con mecanismo de cierre por torsión es más fácil de remover y limpiar
- Su vaso Advance de 48 onzas mezcla más rápida y fácilmente, permitiéndole ahorrar tiempo y dinero mejorando así la experiencia del cliente
- Su almohadilla centrante más grande permite una limpieza más sencilla en un solo paso
- Su avanzada tecnología de amortiguación de vibraciones permite mantener una atmósfera más agradable
- 6 botones con 34 programas optimizados para un licuado más fácil y consistente
- Su sistema de enfriamiento y potente motor de 3 HP de potencia de salida máxima reducen el ruido, mejoran la confiabilidad y minimizan el tiempo improductivo



# ximotiV

... ..

... ..

... ..

... ..

... ..

... ..

... ..

... ..

... ..

... ..

... ..

... ..

... ..

... ..

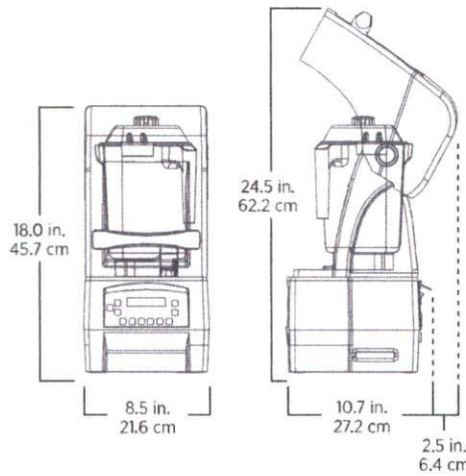
... ..

... ..

... ..



36019



Includes The Quiet One\* with 48-ounce high-impact, clear/stackable Advance container complete with Advance blade assembly and lid, and removable compact enclosure.

The Quiet One is backed by a three-year warranty on motor base parts and a one-year warranty on labor. For more complete warranty terms and conditions, please visit [vitamix.com/commercial](http://vitamix.com/commercial).

\*Standard 64 oz. container cannot be used with the compact cover.

La The Quiet One viene con un vaso Advance de alto impacto, transparente y apilable de 48 onzas, un ensamble de cuchillas y tapa Advance, y una cubierta compacta removible.

La The Quiet One está respaldada por una garantía de 3 años en las partes de la base y un año de garantía en la mano de obra. Para obtener información completa sobre los términos y condiciones de la garantía, visite [vitamix.com/commercial](http://vitamix.com/commercial).

\*El vaso estándar de 64 onzas no se puede utilizar con la cubierta compacta.

**Product Specifications**

Item Number	36019
Motor	≈3 peak output horsepower motor
Electrical	120 V, 50-60 Hz, 15.0 A
Net Weight	19.2 lbs. (23.1 lbs. with box)
Dimensions	18.0 x 8.5 x 10.7 in. (HxWxD) Height with lid open: 24.5 in.

**Especificaciones del Producto**

Número de Artículo	36019
Motor	≈3 HP de potencia de salida máxima
Especificaciones Eléctricas	120 V, 50-60 Hz, 15.0 A
Peso Neto	19.2 lb (23.1 lb con la caja)
Dimensiones	18.0 x 8.5 x 10.7 pulg (Al x An x Pr) Altura con la tapa abierta: 24.5 pulg

**Also Available**

62947	32 oz. Aerating container (complete with aerating blade assembly, lid, and mini tamper.)		
15978	48 oz. Clear Advance container*		
58988	48 oz. Blue Advance container*	58990	48 oz. Orange Advance container*
58989	48 oz. Yellow Advance container*	58991	48 oz. Purple Advance container*

\*Complete with Advance blade assembly and lid

**También Disponible**

62947	Vaso para aireación de 32 onzas (viene con ensamble de disco para aireación, tapa y mini tamper.)		
15978	Vaso Advance Transparente de 48 onzas*		
58988	Vaso Advance Azul de 48 onzas*	58990	Vaso Advance Anaranjado de 48 onzas*
58989	Vaso Advance Amarillo de 48 onzas*	58991	Vaso Advance Morado de 48 onzas*

\*Incluye ensamble de cuchillas y tapa Advance

**Contact Information**

**U.S.A.**  
800.4DRINK4 or 800.437.4654  
[commercial@vitamix.com](mailto:commercial@vitamix.com)

**Información de Contacto**

**Latin America**  
+1.440.782.2450  
[international@vitamix.com](mailto:international@vitamix.com)

[vitamix.com/commercial](http://vitamix.com/commercial)

For more information, contact your local foodservice distributor.  
Para más información, póngase en contacto con su distribuidor local de equipos para food service.





ximatiV

1. a. b. c. d. e. f. g. h. i. j. k. l. m. n. o. p. q. r. s. t. u. v. w. x. y. z.

no. 1000

no. 1000

no. 1000

no. 1000

no. 1000

Item #: 600HS12SP \_\_\_\_\_ Project: \_\_\_\_\_

Qty: \_\_\_\_\_ Date: \_\_\_\_\_ Approval: \_\_\_\_\_

**REGENCY**  
Tables and Sinks

## Regency 12" x 16" Wall Mounted Hand Sink with Gooseneck Faucet and Side Splash

Item #600HS12SP



### Technical Data

Length	12 Inches
Width	16 Inches
Height	12 Inches
Bowl Depth	4 Inches
Bowl Front to Back	9 Inches
Bowl Left to Right	9 Inches
Compliances	Commonwealth of Massachusetts
Faucet Centers	4 Inches
Features	Faucet Included NSF Listed Side Splashes
Flow Rate	2 GPM
Gauge	20 Gauge
Installation Type	Wall Mounted
Material	Stainless Steel
Number of Compartments	1 Compartment
Number of Faucets	1
Stainless Steel Type	Type 304
Type	Hand Sinks

### Features

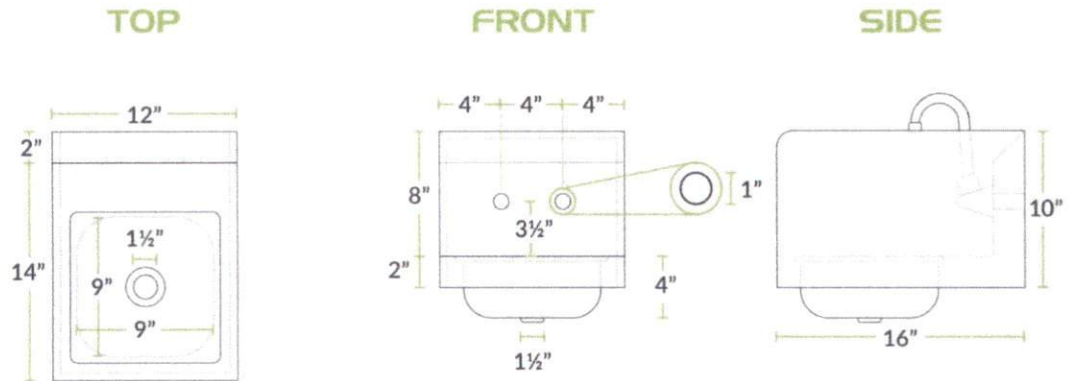
- 8" gooseneck faucet included
- 18-gauge type 304 stainless steel side splashes and a wall mounted clip
- 20-gauge type 304 stainless steel
- Holes punched on 4" centers; 8" backsplash
- Single 9" x 9" x 4" bowl includes 1 1/2" IPS drain baskets

### Certifications



Regency Tables & Sinks

## Plan View



## Notes & Details

Keep your restaurant up to code without sacrificing space with this Regency HS-12-SP space saver hand sink with side splash. Each sink comes standard with a single 9" x 9" x 4" bowl and 8" high back and side splashes. Additionally, this hand sink has two holes punched on 4" centers to accept its included Regency 8" gooseneck faucet.

This sink offers an economical, 20-gauge type 304 stainless steel construction along its top, bowl, and backsplash, in addition to 18-gauge type 304 stainless steel side splashes and a wall mounted clip. It comes standard with a 1 1/2" IPS drain basket.

**⚠ WARNING:** This product can expose you to chemicals including Nickel and Lead, which are known to the State of California to cause cancer, birth defects, or other reproductive harm. For more information, go to [www.p65warnings.ca.gov](http://www.p65warnings.ca.gov).



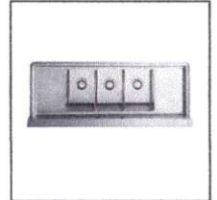
Item #: 522CS31014LK Project: \_\_\_\_\_

Qty: \_\_\_\_\_ Date: \_\_\_\_\_ Approval: \_\_\_\_\_

**Steelton**

## Steelton 54" 18-Gauge Stainless Steel Three Compartment Commercial Sink with 2 Drainboards - 10" x 14" x 12" Bowls

Item #522CS31014LK



### Technical Data

Length	54 Inches
Width	20 Inches
Height	43 3/4 Inches
Drainboard Length	12 Inches
Bowl Depth	12 Inches
Basket Drain Size	3 1/2 Inches
Bowl Front to Back	14 Inches
Bowl Left to Right	10 Inches
Drain Outlet Size	1 1/2 Inches
Faucet Centers	8 Inches
Features	NSF Listed
Gauge	18 Gauge
Leg Construction	Galvanized Steel
Material	Stainless Steel
Number of Compartments	3 Compartments
Number of Drainboards	2 Drainboards
Stainless Steel Type	Type 304
Style	2 Drainboards
Type	Straight / Line Sinks

### Features

- Made from 18-gauge type 304 stainless steel with galvanized legs
- 10" x 14" x 12" bowls; includes two 12" drainboards
- Ideal for lower volume kitchens in restaurants, bars, and churches
- Faucet holes pre-punched on 8" centers (faucet sold separately)
- 3 1/2" basket strainers with 1 1/2" IPS connection

### Certifications



Steelton Metal Products

NOTICE

STATION 19.00 - 19.00  
with three strands of 1/2" x 1/2" galvanized steel



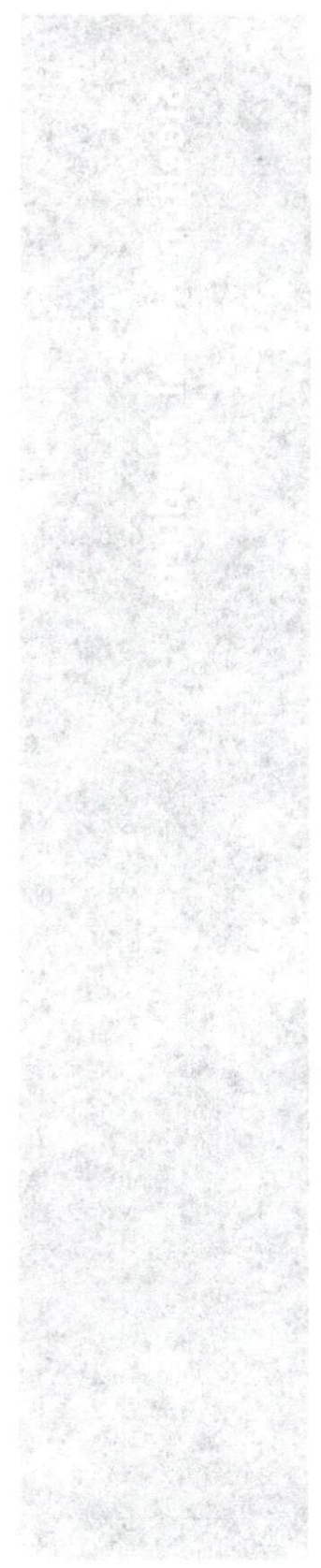
Station Data

Station	Grade	Width	Depth	Notes
19.00	1.00	1.00	1.00	
19.01	1.00	1.00	1.00	
19.02	1.00	1.00	1.00	
19.03	1.00	1.00	1.00	
19.04	1.00	1.00	1.00	
19.05	1.00	1.00	1.00	
19.06	1.00	1.00	1.00	
19.07	1.00	1.00	1.00	
19.08	1.00	1.00	1.00	
19.09	1.00	1.00	1.00	
19.10	1.00	1.00	1.00	
19.11	1.00	1.00	1.00	
19.12	1.00	1.00	1.00	
19.13	1.00	1.00	1.00	
19.14	1.00	1.00	1.00	
19.15	1.00	1.00	1.00	
19.16	1.00	1.00	1.00	
19.17	1.00	1.00	1.00	
19.18	1.00	1.00	1.00	
19.19	1.00	1.00	1.00	
19.20	1.00	1.00	1.00	



Station Data

Station	Grade	Width	Depth	Notes
19.00	1.00	1.00	1.00	
19.01	1.00	1.00	1.00	
19.02	1.00	1.00	1.00	
19.03	1.00	1.00	1.00	
19.04	1.00	1.00	1.00	
19.05	1.00	1.00	1.00	
19.06	1.00	1.00	1.00	
19.07	1.00	1.00	1.00	
19.08	1.00	1.00	1.00	
19.09	1.00	1.00	1.00	
19.10	1.00	1.00	1.00	
19.11	1.00	1.00	1.00	
19.12	1.00	1.00	1.00	
19.13	1.00	1.00	1.00	
19.14	1.00	1.00	1.00	
19.15	1.00	1.00	1.00	
19.16	1.00	1.00	1.00	
19.17	1.00	1.00	1.00	
19.18	1.00	1.00	1.00	
19.19	1.00	1.00	1.00	
19.20	1.00	1.00	1.00	



**Steelton**

Steelton Metal Products

## Notes & Details

If your business needs a sink that will keep up with demand without breaking the bank, check out this Steelton 18-gauge economy three-compartment sink with 10" x 14" x 12" bowls. This model is perfect for light-duty applications that don't require an expensive heavy-duty sink, providing all of the functionality you need at an affordable price point!

Three 10" x 14" x 12" deep bowls are perfect for wash, rinse, and sanitize setups, while rounded corners make it easy to clean. Raised edges along the front and sides of the sink work to keep splashes and spills from making it onto the floor, which helps you keep your work area cleaner and safer. A removable 3 1/2" IPS drain basket is included to make filling and draining the sink easy, and to prevent debris from clogging your plumbing.

The 12" long drainboards give you a convenient place to stage dirty items while they're waiting to be washed, and to place washed items as they dry. And since the drainboards have a slanted design, they will help water drain off of the board and eliminate pooling. This economy model is made from 18-gauge type 304 stainless steel, which is corrosion-resistant when properly maintained. The legs are made from galvanized steel and have adjustable plastic bullet feet to make it easy to level the sink on uneven surfaces. Just twist each foot to the desired height and check for level. Two pre-punched holes make it easy to install an 8" faucet of your choice (sold separately) on the backsplash and get right to work with your new sink!

**⚠ WARNING:** This product can expose you to chemicals including lead, which are known to the State of California to cause cancer, birth defects, or other reproductive harm. For more information, go to [www.p65warnings.ca.gov](http://www.p65warnings.ca.gov).

## Notes & Dates

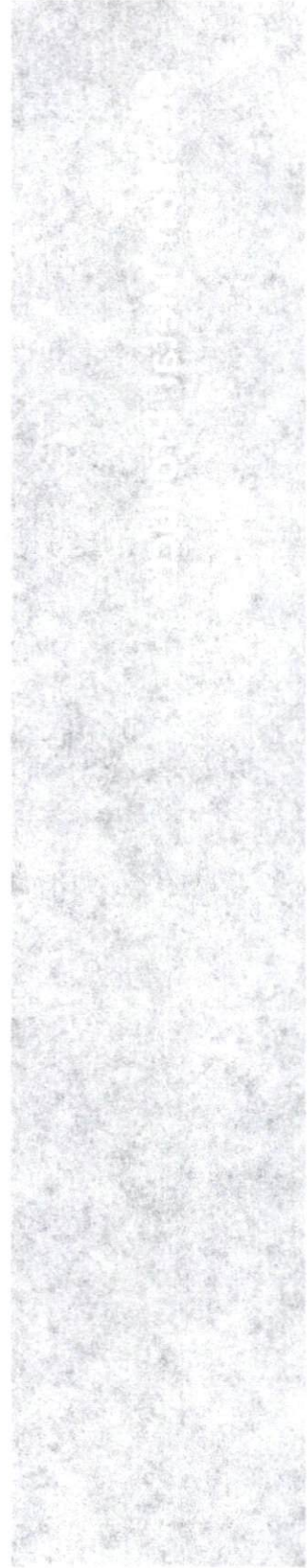
Station

1. The first part of the document discusses the importance of maintaining accurate records of all transactions. It emphasizes that this is crucial for the company's financial health and for providing reliable information to stakeholders.

2. The second part of the document outlines the specific procedures for recording transactions. It details the steps from identifying a transaction to entering it into the accounting system, ensuring that all necessary details are captured.

3. The third part of the document discusses the importance of regular reconciliation. It explains how this process helps to identify and correct errors, ensuring that the company's books are always in balance and that the financial statements are accurate.

4. The final part of the document provides a summary of the key points discussed and offers some concluding thoughts on the importance of diligent record-keeping.



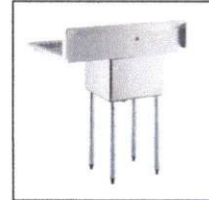
Item #: 522CS11818RK Project: \_\_\_\_\_

Qty: \_\_\_\_\_ Date: \_\_\_\_\_ Approval: \_\_\_\_\_

**Steelton**

## Steelton 38 3/4" 18-Gauge Stainless Steel One Compartment Commercial Sink with Right Drainboard - 18" x 18" x 12" Bowl

Item #522CS11818RK



### Technical Data

<b>Length</b>	38 3/4 Inches
<b>Width</b>	24 Inches
<b>Height</b>	43 3/4 Inches
<b>Drainboard Length</b>	18 Inches
<b>Bowl Depth</b>	12 Inches
<b>Basket Drain Size</b>	3 1/2 Inches
<b>Bowl Front to Back</b>	18 Inches
<b>Bowl Left to Right</b>	18 Inches
<b>Drain Outlet Size</b>	1 1/2 Inches
<b>Faucet Centers</b>	8 Inches
<b>Features</b>	NSF Listed
<b>Gauge</b>	18 Gauge
<b>Leg Construction</b>	Galvanized Steel
<b>Material</b>	Stainless Steel
<b>Number of Compartments</b>	1 Compartment
<b>Number of Drainboards</b>	1 Drainboard
<b>Stainless Steel Type</b>	Type 304
<b>Style</b>	1 Drainboard

### Features

- Made from 18-gauge type 304 stainless steel with galvanized legs
- 18" x 18" x 12" bowl; includes one 18" drainboard
- Ideal for lower volume kitchens in restaurants, bars, and churches
- Holes for separate faucet pre-punched on 8" centers
- 3 1/2" basket strainer with 1 1/2" IPS connection

### Certifications



Steelton Metal Products

01/10/2010

Statement of Financial Position as at 31 December 2009

Assets		
Intangible assets		
Property, plant and equipment		
Financial assets		
Current assets		
Liabilities		
Current liabilities		
Equity		
Share capital		
Reserves		

Financial Data

Revenue	1,234,567
Operating profit	234,567
Profit before tax	123,456
Profit after tax	87,654
Dividends	12,345
Other comprehensive income	34,567
Change in equity	45,678

Revenue	1,234,567
Operating profit	234,567
Profit before tax	123,456
Profit after tax	87,654
Dividends	12,345
Other comprehensive income	34,567
Change in equity	45,678

Notes

1. Revenue

2. Operating profit

3. Profit before tax

4. Profit after tax

5. Dividends

6. Other comprehensive income

7. Change in equity

Signatures

Director

Company Secretary

**Steelton**

Steelton Metal Products

## Notes & Details

If your business needs a sink that will keep up with demand without breaking the bank, check out this Steelton 18-gauge economy one-compartment sink with 18" x 18" x 12" bowl. This model is perfect for light-duty applications that don't require an expensive heavy-duty sink, providing all of the functionality you need at an affordable price point!

The 18" x 18" x 12" deep bowl is perfect for uses like rinsing fruits and vegetables, washing pots, and utility purposes, while rounded corners make it easy to clean. Raised edges along the front and sides of the sink work to keep splashes and spills from making it onto the floor, which helps you keep your work area cleaner and safer. A removable 3 1/2" IPS drain basket is included to make filling and draining the sink easy, and to prevent debris from clogging your plumbing.

The 18" long drainboard comes on the right side, and it gives you a convenient place to stage dirty items while they're waiting to be washed, or to place washed items as they dry. And since the drainboard has a slanted design, it will help water drain off of the board and eliminate pooling. This economy model is made from 18-gauge type 304 stainless steel, which is corrosion-resistant when properly maintained. The legs are made from galvanized steel and have adjustable plastic bullet feet to make it easy to level the sink on uneven surfaces. Just twist each foot to the desired height and check for level. Two pre-punched holes make it easy to install an 8" faucet of your choice (sold separately) on the backsplash and get right to work with your new sink!

**⚠ WARNING:** This product can expose you to chemicals including lead, which are known to the State of California to cause cancer, birth defects, or other reproductive harm. For more information, go to [www.p65warnings.ca.gov](http://www.p65warnings.ca.gov).

