

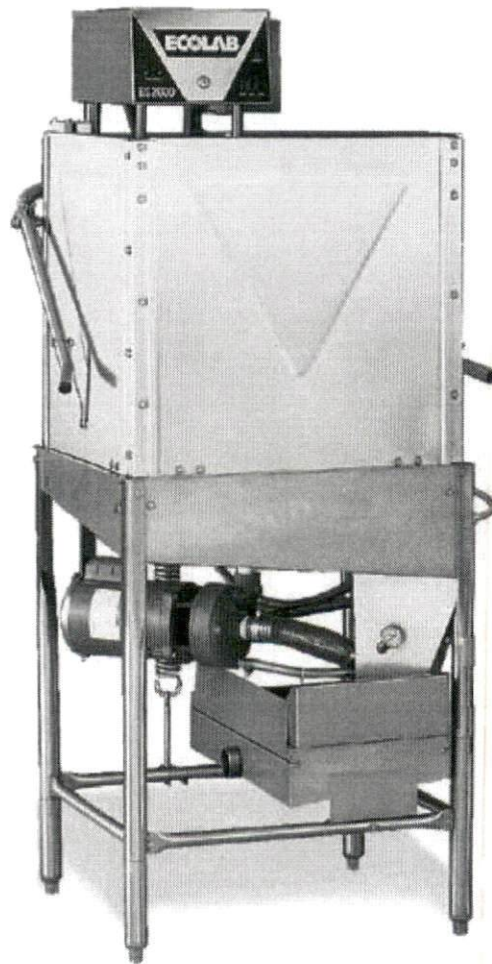
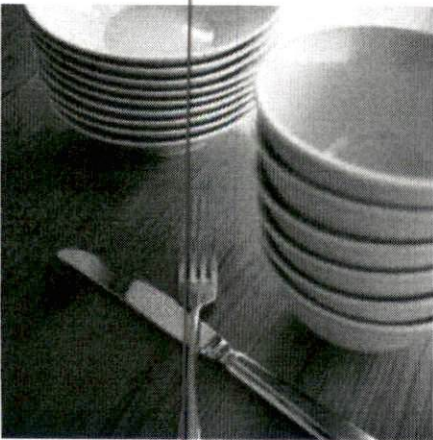


ES-2000 Dishmachine

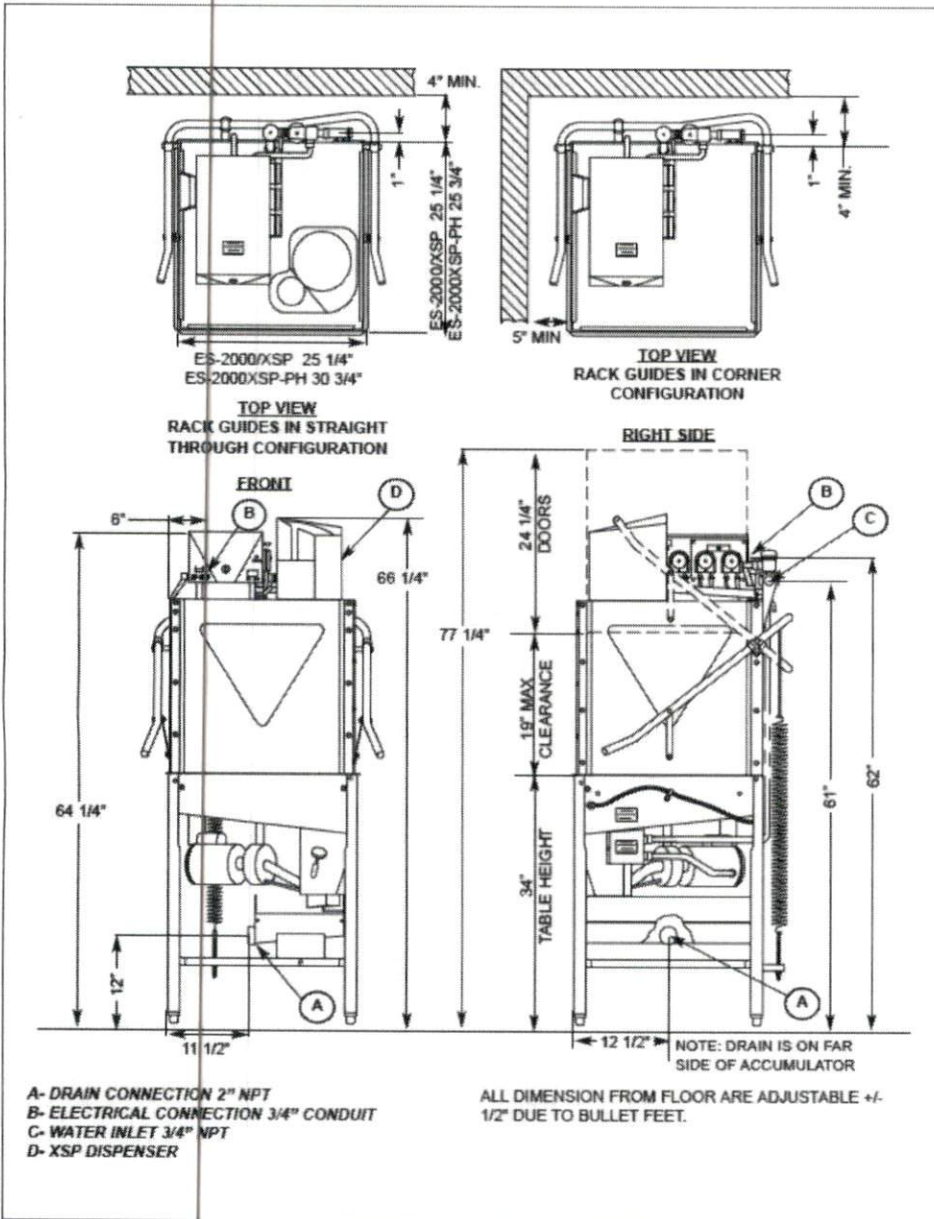
Leasing a dishmachine from Ecolab allows you to focus on your business with the security of knowing your warewashing operation is properly managed.

Superior Cleaning & Reliable Performance

- ▲ Low temperature, Energy Star® machine helps reduce operating costs
- ▲ Self-cleaning internal sump helps ensure a clean final rinse
- ▲ Unique design helps ensure uncontaminated water is used in every cycle



Superior Results, 24-7 Service & A Great Financial Option.



ES-2000 SPECIFICATIONS:

OPERATING CAPACITY

Racks per Hour 40

OPERATING CYCLE (LIGHT)

Total Cycle Time 77

OPERATING CYCLE (NORMAL)

Wash Time 42
 Dwell Time 18
 Rinse Time 25
 Load Time 5
 Total Cycle Time 90

OPERATING TEMPERATURES

Wash (minimum) 120° F
 Sanitizing Rinse (min) 120° F

WATER CONSUMPTION

Gallons per Rack 1.02

ELECTRICAL RATINGS

Wash Pump 3/4 hp

WASH CHAMBER

Height 17"

WEIGHT

Machine Weight 197 lbs

UTILITY REQUIREMENTS ELECTRICAL

Voltage/Frequency/Phase:
 115V/60Hz/1 Ph

Total Amperage 12 A
 Minimum Electrical Circuit 15 A

WATER

Waterline Size (min) 3/4" or 1/2" (CS)
 Flow Pressure (required) 15-25 psi
 Incoming Temperature (min) 120° F
 Incoming Temperature (recommended) 140° F

DRAIN

Drainline Size (minimum) 2"

