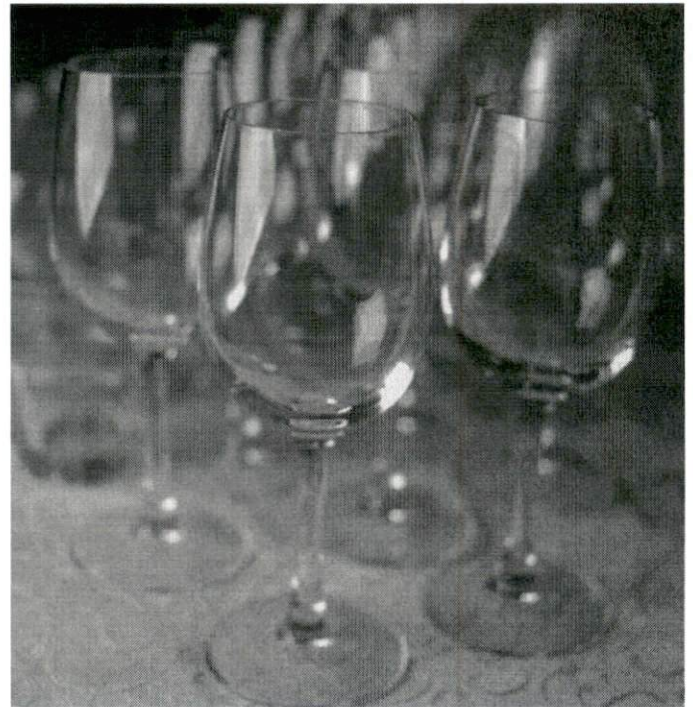
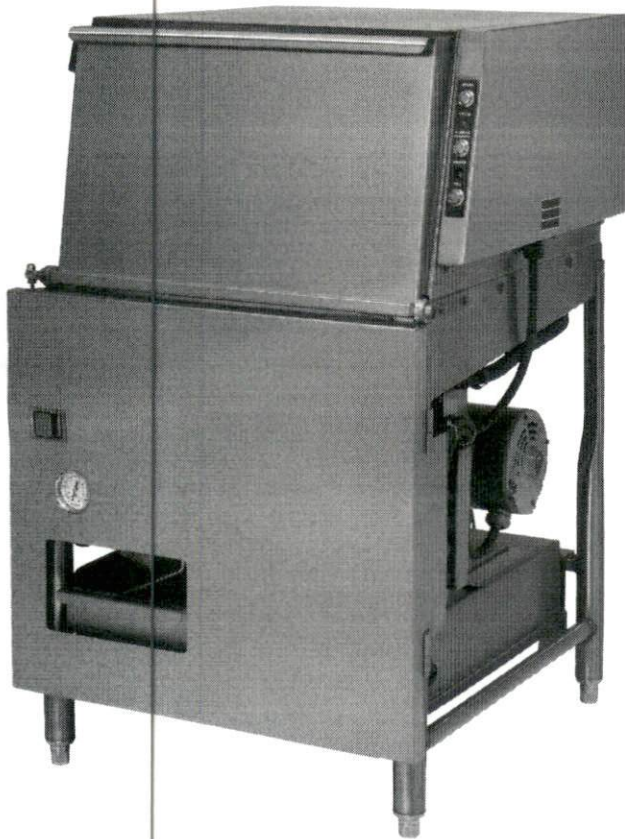


Omega 5E Dishmachine

VERSATILE AND ENERGY EFFICIENT

- Waist-high loading increases productivity
- Energy Star® rating helps reduce operating costs
- Built in booster heater optimizes rinse temperatures



PROGUARD™ DISHMACHINE RENTAL PROGRAM

ProGuard Service & Solutions offers you a worry-free dishmachine rental program so you can focus on what matters most. Our dedicated service team helps to ensure your operation is running smoothly by providing a total cost-controlled program that delivers the consistent results your guests expect.



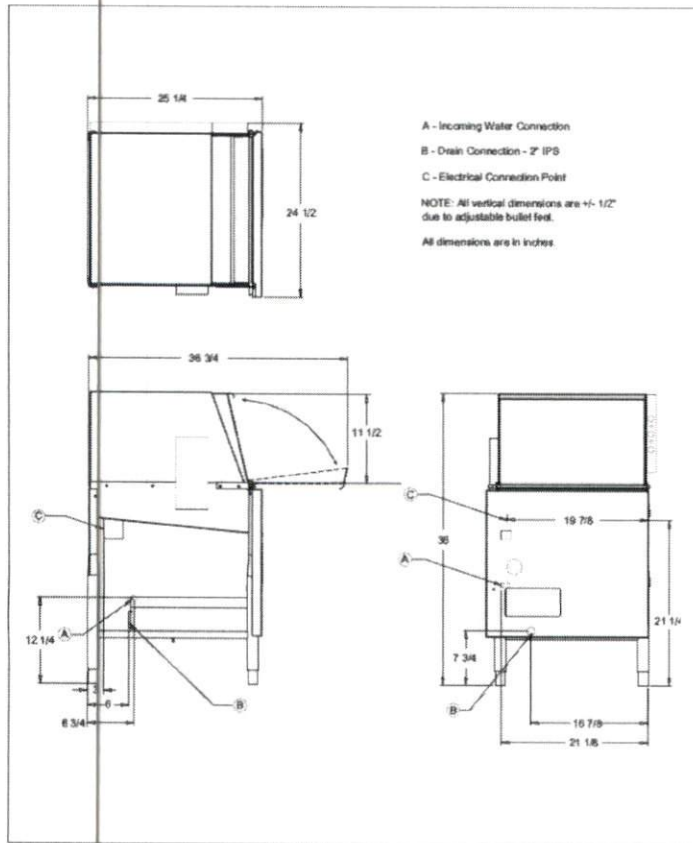
ProGuard™
SERVICE & SOLUTIONS

Contact your local ProGuard
representative today **866-444-7450**

Omega 5E Dishmachine

PROGUARD DISHMACHINE RENTAL PROGRAM

The highest level of clean backed by service you can trust.



OMEGA 5E SPECIFICATIONS

OPERATING CAPACITY

Racks per Hour 31

OPERATING CYCLE (NORMAL)

Wash Time 43
Dwell Time 18
Rinse Time 24
Load Time 30
Total Cycle Time 115

OPERATING TEMPERATURES

Wash (minimum) 120° F
Sanitizing Rinse (minimum) 120° F

WATER CONSUMPTION

Gallons per Rack 1.16

ELECTRICAL RATINGS

Wash Pump Motor 3/4 hp

WEIGHT

Machine Weight 215 lbs

UTILITY REQUIREMENTS ELECTRICAL

Voltage/Frequency/Phase:
115V/60Hz/1 Ph

Total Amperage 16 A
Minimum Electrical Circuit 20 A

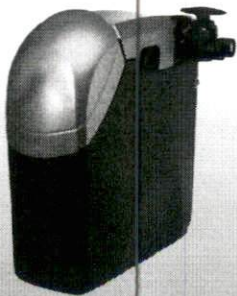
WATER

Waterline Size (minimum) 1/2"
Flow Pressure (required) 15-25 psi
Incoming Temp (minimum) 120° F
Incoming Temp (recommended) 140° F

DRAIN

Drainline Size (minimum) 2"

ENHANCE WAREWASHING RESULTS WITH A MANAGED WATER SOFTENING PROGRAM



- Water hardness over 7 grains per gallon significantly impacts warewashing results. A POU water softener helps you achieve superior results at a lower operating cost.
- Single point of accountability for improved results.
- Worry-free renting includes installation and maintenance.
- Compact cabinet design unit fits under most dish tables.
- Uses less salt than conventional hot water softeners.



1 Ecolab Place
St. Paul, MN 55102
866 444 7450