

NORTH CAROLINA BUILDING CODE SUMMARY - NC 2018 BUILDING CODE

NAME OF PROJECT: A POOL FOR THE GROVE AT 421  
 PROJECT ADDRESS: 61 GROVE CIRCLE, LILLINGTON, NORTH CAROLINA 27546  
 OWNER / CONTACT: RICKY BRITT  
 PHONE #: TELEPHONE: 910.868.1270  
 EMAIL: rbritt@spandpoolworld.com  
 OWNED BY:  PRIVATE  CITY/COUNTY  STATE  
 CODE ENFORCEMENT:  CITY  COUNTY  STATE

DESIGN PROFESSIONALS

CONTACT: ROBERT C. EVANS, ARCHITECT  
 DESIGNER FIRM NAME LICENSE # TELEPHONE # EMAIL  
 ARCHITECTURAL ROBERT C. EVANS, ARCHITECT ROBERT C. EVANS 6530 910.624.9259 rcearch@gmail.com  
 CIVIL \_\_\_\_\_  
 ELECTRICAL \_\_\_\_\_  
 FIRE ALARM \_\_\_\_\_  
 PLUMBING \_\_\_\_\_  
 MECHANICAL \_\_\_\_\_  
 SPRINKLER \_\_\_\_\_  
 STRUCTURAL \_\_\_\_\_  
 RETAINING WALL \_\_\_\_\_  
 OTHER \_\_\_\_\_

BUILDING CODE DATA

2018 NC BUILDING CODE:  NEW BUILDING  ADDITION  RENOVATION  NEW POOL  
 FIRST TIME INTERIOR COMPLETION  
 SHELL/CORE - CONTACT THE LOCAL INSPECTION JURISDICTION FOR POSSIBLE ADDITIONAL PROCEDURES AND REQUIREMENTS  
 PHASED CONSTRUCTION - SHELL/CORE - CONTACT THE LOCAL INSPECTION JURISDICTION FOR POSSIBLE ADDITIONAL PROCEDURES AND REQUIREMENTS  
 2018 NC EXISTING BUILDING CODE: EXISTING:  PRESCRIPTIVE  REPAIR  CHAPTER 14  
 ALTERATION:  LEVEL I  LEVEL II  LEVEL III  
 HISTORIC PROPERTY  CHANGE OF USE  
 CONSTRUCTED: (date) UNKNOWN CURRENT OCCUPANCY: -  
 RENOVATED: (date) UNKNOWN PROPOSED OCCUPANCY: ASSEMBLY, A-4  
 RISK CATEGORY: (table 1004.5) CURRENT:  I  II  III  IV  
 PROPOSED:  I  II  III  IV

BASIC BUILDING DATA

CONSTRUCTION TYPE:  I-A  II-A  III-A  IV-A  V-A  
 I-B  II-B  III-B  IV-B  V-B  
 SPRINKLERS:  NO  PARTIAL  YES  NFPA 13  NFPA 13R  NFPA 130  
 STANDPIPES:  NO  YES CLASS  I  II  III  WET  DRY  
 FIRE DISTRICT:  NO  YES FLOOD HAZARD AREA:  NO  YES  
 BUILDING HEIGHT: \_\_\_\_\_ FEET \_\_\_\_\_ NUMBER OF STORIES  UNLIMITED PER \_\_\_\_\_  
 MEZZANINE:  NO  YES  
 HIGH RISE:  NO  YES CENTRAL REFERENCE SHEET # (IF PROVIDED) \_\_\_\_\_  
 FLOOD HAZARD:  NO  YES  
 SPECIAL INSPECTION REQUIRED:  NO  YES CONTACT THE LOCAL INSPECTION JURISDICTION FOR POSSIBLE ADDITIONAL PROCEDURES AND REQUIREMENTS  
 GROSS BUILDING AREA TABLE:  

FLOOR	POOL	DECK	SUB-TOTAL
GROUND FLOOR	1,250	3,492	4,792
			TOTAL 4,792

ALLOWABLE AREA

PRIMARY OCCUPANCY CLASSIFICATION(S):  
 ASSEMBLY A-1  A-2  A-3  A-4  A-5  
 BUSINESS  
 EDUCATIONAL  
 FACTORY  F-1 MODERATE  F-2 LOW  
 HAZARDOUS  H-1 DETONATE  H-2 DEFLAGRATE  H-3 COMBUST  H-4 HEALTH  H-5 HPM  
 INSTITUTIONAL  I-1 common  I 2  I-2 common  I 1  I 2  I-3 common  I 1  I 2  I 3  I 4  I 5  
 MERCANTILE  
 RESIDENTIAL  R-1  R-2  R-3  R-4  
 STORAGE  S-1 MODERATE  S-2 LOW  HIGH-PILED  
 PARKING GARAGE  OPEN  ENCLOSED  REPAIR GARAGE  
 UTILITY AND MISCELLANEOUS  
 ACCESSORY OCCUPANCY CLASSIFICATION: N/A  
 INCIDENTAL USES (Table 509): N/A  
 SPECIAL USES (CHAPTER 4-LIST CODE SECTIONS): N/A  
 SPECIAL PROVISIONS (CHAPTER 5-LIST CODE SECTIONS): N/A  
 MIXED OCCUPANCY:  NO  YES SEPARATION: \_\_\_\_\_ HR. EXCEPTION: \_\_\_\_\_  
 NON-SEPARATED MIXED OCCUPANCY (508.3)  
 The required type of construction for the building shall be determined by applying the height and area limitations for each of the applicable occupancies to the entire building. The most restrictive type of construction, so determined, shall apply to the entire building.  
 SEPARATED MIXED OCCUPANCY (508.4) - See below for area calculations  
 For each story, the area of the occupancy shall be such that the sum of the ratios of the actual floor area of each use divided by the allowable floor area for each use shall not exceed 1.  

STORY NO.	DESCRIPTION AND USE	(A) BLDG AREA PER STORY (ACTUAL)	(B) TABLE 506.2* AREA	(C) AREA FOR OPEN SPACE INCREASE <sup>1,2</sup>	(E) ALLOWABLE AREA OR UNLIMITED <sup>3</sup>
ONE	ASSEMBLY, A-4	4,792	-	-	4,792
-	-	-	-	-	-
-	-	-	-	-	-

ALLOWABLE HEIGHT

1 - FRONTAGE AREA INCREASES FROM SECTION 506.2  
 2 - UNLIMITED AREA APPLICABLE UNDER CONDITIONS OF SECTION 507.  
 3 - MAXIMUM BUILDING AREA = TOTAL NUMBER OF STORIES x D (MAXIMUM 3 STORIES) (506.2)  
 4 - THE MAXIMUM AREA OF OPEN PARKING GARAGES MUST COMPLY WITH TABLE 406.5.4.  
 5 - FRONTAGE INCREASE IS BASED ON THE UNSPRINKLERED AREA VALUE IN TABLE 506.2.  

BUILDING HEIGHT IN FEET (TABLE 504.3)	ALLOWABLE	SHOWN ON PLANS	CODE REFERENCE
BUILDING HEIGHT IN FEET (TABLE 504.3)	N/A	N/A	N/A
BUILDING HEIGHT IN STORIES (TABLE 504.4)	N/A	N/A	N/A

  
 1 - PROVIDE CODE REFERENCE IF THE "SHOWN ON PLANS" QUANTITY IS NOT BASED ON TABLE 504.3 OR 504.4.

FIRE RESISTANCE RATINGS

BUILDING ELEMENT	FIRE SEPARATION DISTANCE (FEET)	REQ'D	RATING PROVIDED (W/ REDUCTION)	DETAIL AND SHEET #	DESIGN # FOR RATED ASSEMBLY	DESIGN # FOR RATED PENETRATION	DESIGN # FOR RATED JOINTS
STRUCTURAL FRAME, INCLUDING COLUMNS, BEAMS, TRUSSES							
BEARING WALLS							
EXTERIOR							
NORTH							
EAST							
WEST							
SOUTH							
INTERIOR							
NONBEARING WALLS AND PARTITIONS							
EXTERIOR							
NORTH							
EAST							
WEST							
SOUTH							
INTERIOR							
FLOOR CONSTRUCTION INCLUDING SUPPORTING BEAMS AND JOISTS							
FLOOR CEILING ASSEMBLY							
COLUMNS SUPPORTING FLOORS							
ROOF CONSTRUCTION INCLUDING SUPPORTING BEAMS AND JOISTS							
ROOF CEILING ASSEMBLY							
COLUMNS SUPPORTING ROOF							
SHAFTS ENCLOSURES - EXIT							
SHAFTS ENCLOSURES - OTHER							
CORRIDOR SEPARATION							
OCCUPANCY / FIRE BARRIER SEPARATION							
PARTY / FIRE WALL SEPARATION							
SMOKE BARRIER SEPARATION							
SMOKE PARTITION							
TENANT SEPARATION							
INCIDENTAL USE SEPARATION							

PERCENTAGE OF WALL OPENINGS CALCULATIONS

WALL	FIRE SEPARATION DISTANCE FROM PROPERTY LINE(S) (TABLE 705.8)	DEGREE OF OPENINGS PROTECTION TABLE 705.8	PERCENTAGE OF ALLOWABLE AREA	ACTUAL PERCENTAGE OF OPENING ON PLANS
NORTH				
SOUTH				
EAST				
WEST				

LIFE SAFETY SYSTEMS

EMERGENCY LIGHTING:  NO  YES SMOKE DETECTION SYSTEM:  NO  YES  
 EXIT SIGNS:  NO  YES CARBON MONO. DETECTION:  NO  YES  
 FIRE ALARM:  NO  YES PANIC HARDWARE:  NO  YES  
 (SPRINKLER MONITORING)  
 LIFE SAFETY PLAN AS

EXIT REQUIREMENTS

Check items that are applicable to this project:  
 Fire and/or smoke retard wall locations (Chapter 7)  
 Assumed and real property line locations  
 Exterior wall opening area with respect to distance to assumed property lines (705.8)  
 Occupancy types for each area as it relates to occupant load calculations (Table 1004.1.1)  
 Occupant loads for each area  
 Exit access travel distance (1017)  
 Common path of travel distance (1006.2.1 & 1006.3.2(1))  
 Dead end lengths (1024)  
 Clear exit width for each exit door  
 Maximum calculated occupant load capacity each exit door can accommodate based on egress width (1005.3)  
 Actual occupant load for each exit door  
 A separate schematic plan indicating where fire rated floor/ceiling and/or roof structure is provided for purposes of occupancy separation  
 Location of doors with panic hardware (1010.1.10)  
 Location of doors with delayed egress locks and the amount of delay (1010.1.9.7)  
 Location of doors with electromagnetic egress locks (1010.1.9.9)  
 Location of doors equipped with hold-open devices  
 Location of emergency escape windows (1030)  
 The square footage of each fire area (202)  
 The square footage of each smoke compartment (407.5)  
 Note any code exceptions or table notes that may have been utilized regarding the items above

EXIT REQUIREMENTS

FLOOR, ROOM OR SPACE DESIGNATION	MINIMUM NUMBER OF EXITS REQUIRED	TRAVEL DISTANCE	ARRANGEMENT MEANS OF EGRESS <sup>1</sup> (SECTION 1004.1)
		ALLOWABLE TRAVEL DISTANCE (TABLE 1004.2.4)	REQUIRED DISTANCE BETWEEN EXITS SHOWN ON PLANS
DECK	2	3	111'-10" 50'-8" 92'-6"

<sup>1</sup> Corridor dead ends (Section 1004.3.2.3)  
<sup>2</sup> Single exits (Table 1005.2.2)  
<sup>3</sup> Common path of travel (Section 1004.2.5)

ACCESSIBLE DWELLING UNITS (SECTION 1107)

TOTAL UNITS	ACCESSIBLE UNITS REQUIRED	ACCESSIBLE UNITS PROVIDED	TYPE A UNITS REQUIRED	TYPE A UNITS PROVIDED	TYPE B UNITS REQUIRED	TYPE B UNITS PROVIDED	TOTAL ACCESSIBLE UNITS PROVIDED
-	-	-	-	-	-	-	-

ACCESSIBLE PARKING (SECTION 1106)

LOT OR PARKING AREA	TOTAL # OF PARKING SPACES		# OF ACCESSIBLE SPACES PROVIDED			TOTAL # ACCESSIBLE PROVIDED
	REQUIRED	PROVIDED	REGULAR WITH 5' ACCESS AISLE	132" ACCESS AISLE	8' ACCESS AISLE	
NEW	-	-	-	-	-	-
TOTAL REQUIRED	-	-	-	-	-	-
TOTAL PROVIDED	-	-	-	-	-	-

PLUMBING FIXTURE REQUIREMENTS

USE	WATERCLOSETS			URINALS			LAVATORIES			SHOWERS / TUBS	DRINKING FOUNTAINS	NOTES & EXCEPTIONS
	MALE	FEMALE	UNISEX	MALE	FEMALE	UNISEX	REGULAR	ACCESSIBLE	REGULAR			
SPACE EXIST'G												
NEW REQ'D												

SPECIAL APPROVALS

(Describe special approvals from local jurisdictions, County of State Department of Health, NC Department of Insurance, International Code Council, etc.)  
 \_\_\_\_\_  
 \_\_\_\_\_  
 \_\_\_\_\_

ENERGY SUMMARY

EXISTING BUILDING ENVELOPE COMPLIES WITH CODE:  NO  YES  UNKNOWN  
 EXEMPT BUILDING:  NO  YES (CODE OR STATUTORY REF.) \_\_\_\_\_  
 CLIMATE ZONE:  3A  4A  5A  
 METHOD OF COMPLIANCE: ENERGY CODE:  PERFORMANCE  PRESCRIPTIVE  
 ASHRAE 90.1:  PERFORMANCE  PRESCRIPTIVE  
 THERMAL ENVELOPE (PRESCRIPTIVE METHOD ONLY)  
 ROOF/CEILING ASSEMBLY: \_\_\_\_\_  
 U-VALUE OF TOTAL ASSEMBLY: \_\_\_\_\_  
 R-VALUE OF INSULATOR: \_\_\_\_\_  
 SLOUGHTS IN EACH ASSEMBLY: \_\_\_\_\_  
 U-VALUE OF SLOUGHT: \_\_\_\_\_  
 TOTAL SQ. FT. OF SLOUGHTS IN EACH ASSEMBLY: \_\_\_\_\_  
 EXTERIOR WALLS: \_\_\_\_\_  
 DESCRIPTION OF ASSEMBLY: \_\_\_\_\_  
 U-VALUE OF TOTAL ASSEMBLY: \_\_\_\_\_  
 R-VALUE OF INSULATOR: \_\_\_\_\_  
 OPENINGS: \_\_\_\_\_  
 U-VALUE OF ASSEMBLY: \_\_\_\_\_  
 SOLAR HEAT GAIN COEFFICIENT: \_\_\_\_\_  
 PROJECTION FACTOR: \_\_\_\_\_  
 WINDOW R-VALUE: \_\_\_\_\_  
 WALLS BELOW GRADE: \_\_\_\_\_  
 DESCRIPTION OF ASSEMBLY: \_\_\_\_\_  
 U-VALUE OF TOTAL ASSEMBLY: \_\_\_\_\_  
 R-VALUE OF INSULATOR: \_\_\_\_\_  
 FLOORS OVER UNCONDITIONED SPACE: \_\_\_\_\_  
 DESCRIPTION OF ASSEMBLY: \_\_\_\_\_  
 U-VALUE OF TOTAL ASSEMBLY: \_\_\_\_\_  
 R-VALUE OF INSULATOR: \_\_\_\_\_  
 FLOORS SLAB ON GRADE: \_\_\_\_\_  
 DESCRIPTION OF ASSEMBLY: \_\_\_\_\_  
 U-VALUE OF TOTAL ASSEMBLY: \_\_\_\_\_  
 R-VALUE OF INSULATOR: \_\_\_\_\_  
 HORIZONTAL/VERTICAL REQUIREMENT: \_\_\_\_\_  
 SLAB HEATED: \_\_\_\_\_

STRUCTURAL DESIGN

DESIGN LOADS:  
 IMPORTANCE FACTORS: SNOW \_\_\_\_\_ SEISMIC \_\_\_\_\_  
 LIVE LOADS: ROOF \_\_\_\_\_ MEZZANINE \_\_\_\_\_ FLOOR \_\_\_\_\_  
 GROUND SNOW LOADS: \_\_\_\_\_ psf  
 WIND LOADS: BASIC WIND SPEED \_\_\_\_\_ mph (ASCE-7) EXPOSURE CATEGORY \_\_\_\_\_  
 SEISMIC DESIGN CATEGORY:  A  B  C  D  
 PROVIDE THE FOLLOWING SEISMIC DESIGN PARAMETERS:  
 RISK CATEGORY (Table 1604.5):  1  2  3  4  
 SPECTRAL RESPONSE ACCELERATION: S<sub>ms</sub>: \_\_\_\_\_ %g S<sub>m1</sub>: \_\_\_\_\_ %g  
 SITE CLASSIFICATION:  A  B  C  D  E  F  
 DATA SOURCE:  FIELD TEST  PRESUMPTIVE  HISTORICAL DATA  
 BASIC STRUCTURAL SYSTEM:  BEARING WALL  DUAL w/ SPECIAL MOMENT FRAME  
 BUILDING FRAME  DUAL w/ INTERMEDIATE R/C OR SPECIAL STEEL  
 MOMENT FRAME  INVERTED PENDULUM  
 ANALYSIS PROCEDURE:  SIMPLIFIED  EQUIVALENT LATERAL FORCE  DYNAMIC  
 ARCHITECTURAL, MECHANICAL, COMPONENTS ANCHORED:  YES  NO  
 LATERAL DESIGN CONTROL:  EARTHQUAKE  WIND  
 SOIL BEARING CAPACITY:  
 FIELD TEST: \_\_\_\_\_ psf  
 PRESUMPTIVE BEARING CAPACITY: \_\_\_\_\_ psf  
 FILL SIZE, TYPE AND CAPACITY: \_\_\_\_\_

SPECIAL INSPECTIONS CHAPTER 17

SPECIAL INSPECTIONS SHALL BE CONDUCTED ON ALL PROJECTS THAT FALL WITHIN BUILDING CATEGORIES AND/OR CONTAIN ELEMENTS SUBJECT TO SPECIAL INSPECTIONS AS PRESCRIBED BY REVISED SECTION 1704.  
 To schedule the required preconstruction meeting with the City of Raleigh please call 807-5111  
 List whom will inspect the required special inspections  
 Fabricator of load bearing components - \_\_\_\_\_  
 Soil tests - \_\_\_\_\_  
 Concrete, caissons, piles, piers, precast - \_\_\_\_\_  
 Post tension concrete - \_\_\_\_\_  
 Modular construction - \_\_\_\_\_  
 Steel and connections, welds, bolts, anchors - \_\_\_\_\_  
 Fire spray tests - \_\_\_\_\_  
 Smoke control - \_\_\_\_\_  
 Seismic, wind designs, Quality Assurance - \_\_\_\_\_  
 Retaining wall - \_\_\_\_\_  
 Masonry - \_\_\_\_\_  
 Wood - \_\_\_\_\_  
 Alternate Methods - \_\_\_\_\_  
 EIFS - \_\_\_\_\_  
 Other (describe) - \_\_\_\_\_  
 Other (describe) - \_\_\_\_\_  
 Owner or agent - \_\_\_\_\_

ELECTRICAL SUMMARY

ELECTRICAL SYSTEM AND EQUIPMENT  
 Method of Compliance:  Prescriptive  Performance  Energy Cost Budget  
 \* Provide a standard riser diagram which indicates designated points for check metering.  
 \* Provide a standard panel schedule description which identifies different end use loads.  
 Lighting schedule  
 Lamp type required in fixture \_\_\_\_\_  
 Number of lamps in fixture \_\_\_\_\_  
 Ballast type used in the fixture \_\_\_\_\_  
 Number of ballasts in fixture \_\_\_\_\_  
 Total wattage per fixture \_\_\_\_\_  
 Total interior wattage specified vs. allowed \_\_\_\_\_  
 Total exterior wattage specified vs. allowed \_\_\_\_\_  
 Equipment schedules with motors (not used for mechanical systems)  
 Motor horsepower \_\_\_\_\_  
 Number of phases \_\_\_\_\_  
 Minimum efficiency \_\_\_\_\_  
 Motor type \_\_\_\_\_  
 # of poles \_\_\_\_\_

MECHANICAL SUMMARY

MECHANICAL SYSTEMS, SERVICE SYSTEMS AND EQUIPMENT  
 Method of Compliance:  Prescriptive  Performance  Energy Cost Budget  
 THERMAL ZONE  
 Exterior design conditions  
 Winter dry bulb \_\_\_\_\_  
 Summer dry bulb \_\_\_\_\_  
 Interior design conditions  
 Winter dry bulb \_\_\_\_\_  
 Summer dry bulb \_\_\_\_\_  
 Relative humidity \_\_\_\_\_  
 BUILDING HEATING LOAD \_\_\_\_\_  
 BUILDING COOLING LOAD \_\_\_\_\_  
 MECHANICAL SPACING CONDITIONING SYSTEM  
 Unitary  
 Description of unit \_\_\_\_\_  
 Heating efficiency \_\_\_\_\_  
 Cooling efficiency \_\_\_\_\_  
 Heat output of unit \_\_\_\_\_  
 Cooling output of unit \_\_\_\_\_  
 Boiler  
 Total boiler output. If oversized, state reason \_\_\_\_\_  
 Chiller  
 Total chiller capacity. If oversized, state reason \_\_\_\_\_  
 LIST EQUIPMENT EFFICIENCIES  
 EQUIPMENT SCHEDULES WITH MOTORS (mechanical systems)  
 Motor horsepower \_\_\_\_\_  
 Number of phases \_\_\_\_\_  
 Minimum efficiency \_\_\_\_\_  
 Motor type \_\_\_\_\_  
 # of poles \_\_\_\_\_

SHELL VARIABLE FORM

Check each applicable line to match scope of work. Edit as necessary to provide clear detail of installation.  
 MECHANICAL:  
 No work  Equipment set with \_\_\_\_\_ without power  Gas line  
 Trunk line installed with \_\_\_\_\_ without outlets  Install complete operational system  
 Other \_\_\_\_\_  
 PLUMBING:  
 No work  Install water service and sewer  Install complete plumbing system  
 Install building drain \_\_\_\_\_ and \_\_\_\_\_ or water distribution main \_\_\_\_\_ with \_\_\_\_\_ without branches  
 Other \_\_\_\_\_  
 SPRINKLER:  
 Install complete plumbing system  
 BUILDING:  
 Install slab \_\_\_\_\_ partial \_\_\_\_\_ complete  Install demising walls  
 Install interior partitioning \_\_\_\_\_ partial \_\_\_\_\_ complete  Install ceilings  
 White box (additional interior completion permits are required for Certificate of Occupancy and power)  
 Other \_\_\_\_\_  
 ELECTRICAL:  
 House panel (CONNECTING TO)  Service laterals to meter centers/panels located on buildings  
 Demise wall and ceilings only  Conduit, duct, raceway, in slab  
 Power and lighting circuits to "J" Box  Install light fixtures  
 Install Heat/A/C Elevator Generator Parking lot lighting  
 Install complete system  
 Other \_\_\_\_\_  
 Please Provide full information on any Alternative Methods and Means incorporated into the design of this project. Provide specific details and incorporate into plan submittal any supporting documents or agreement letters.

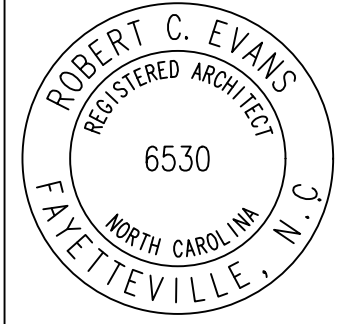
WALL LEGENDS

FIRE PARTITIONS 709  FIRE WALLS 706  FIRE BARRIERS 707  
 SMOKE PARTITIONS 711  SMOKE BARRIERS 710  SHAFT ENCLOSURE 708

OCCUPANT CONTENT

POOL 1,250 sf / 50 = 25 PERSONS  
 DECK 3,492 sf / 15 = 233 PERSONS  
 TOTAL OCCUPANT CONTENT 258 PERSONS

Robert Charles Evans  
 615 BRAD STREET, FAYETTEVILLE, NORTH CAROLINA 28404  
 REGISTERED ARCHITECT  
 6530



07.06.22

CLAYTON BRITT AND SONS, INC.  
 3703 BRAGG BOULEVARD  
 FAYETTEVILLE, NORTH CAROLINA 28301  
 910.868.8319  
 RICKY BRITT  
 NC BUILDING LICENSE #65207

LOCATION: THE GROVE AT 421  
 61 GROVE CIRCLE  
 LILLINGTON, NC 27546  
 OWNERS: HATCHER CREEK, LLC  
 126 BRANDON DRIVE  
 LILLINGTON, NC 27546  
 DRAWN: J. PARRISH  
 SCALE: AS SHOWN  
 REVISIONS:  
 DATE: JULY 6th 2022

SHEET NO:





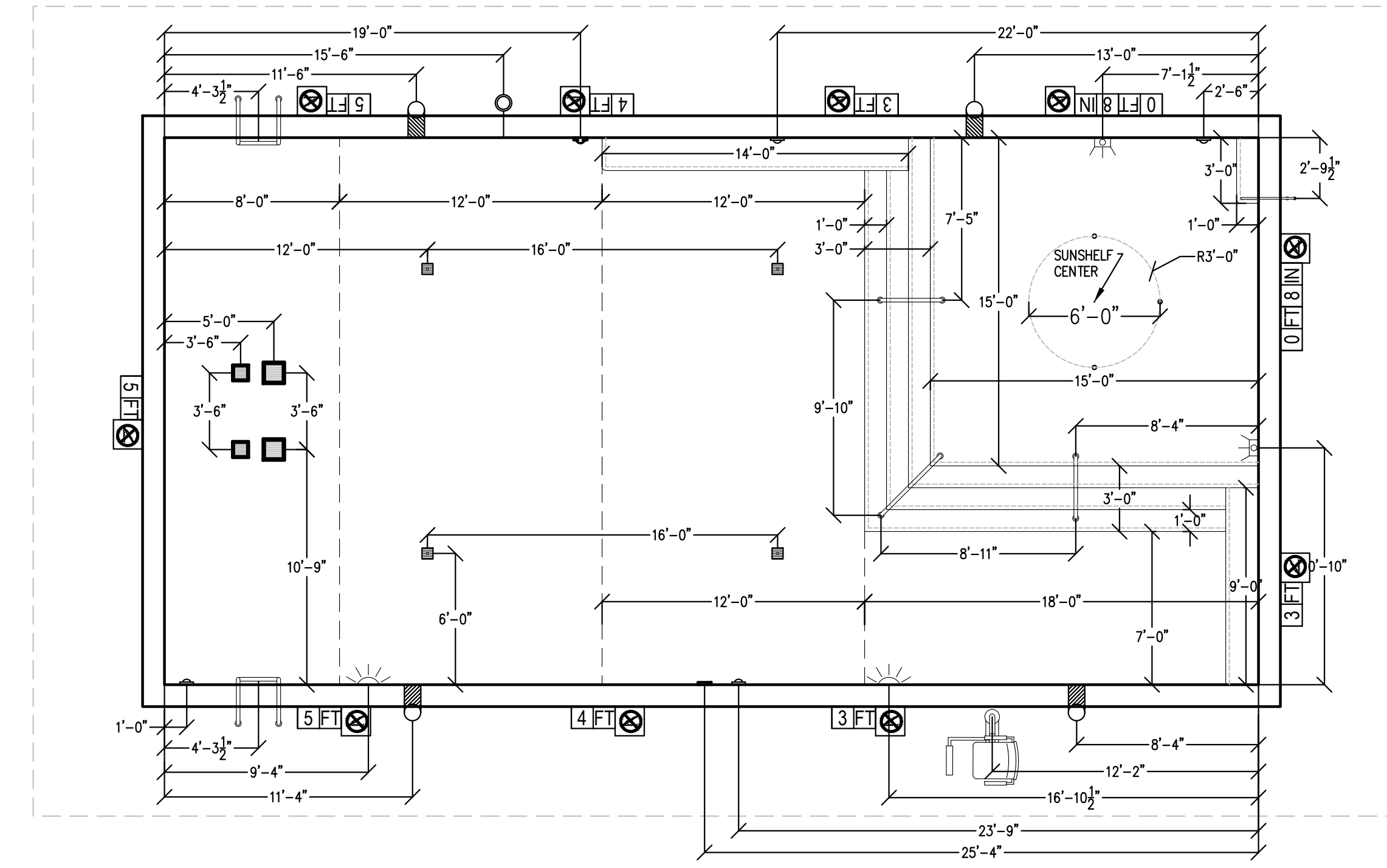
POOL EQUIPMENT SCHEDULE				
TAG	QTY.	MANUFACTURER	MODEL #	FIXTURE DESCRIPTION
A	1	PENTAIR	INTELLIFLO VSF	VARIABLE SPEED/FLOW SELF PRIMING PUMP; 3.0 HP; 127 GPM @ 65.00' ASSUMED TDH WITH INTEGRAL HAIR & LINT STRAINER (NSF); MAXIMUM PUMP FLOW RATE 158 GPM @ 34.50' RDM
A1	1	PENTAIR	SUPERFLO VSF	VARIABLE SPEED/FLOW SELF PRIMING PUMP; 85 GPM @ 50.00' ASSUMED TDH WITH INTEGRAL HAIR & LINT STRAINER (NSF)
B	1	PENTAIR	TR-140C	36" Ø FILTER (7.06 SQ/FT FILTER SURFACE AREA - 140 GPM MAX. - FILTER RATE @ 20 GPM / SQ/FT FILTER SURFACE AREA)
BB	4	CMP	NATURAL WONDERS	1-1/2" BUBBLER; WHITE FINISH; FLUSH MOUNTED; (15 GPM; 7" PLUME HEIGHT IN 8" WATER DEPTH) (20 GPM; 12" PLUME HEIGHT IN 8" WATER DEPTH)
BF	1	WATTS	009M2QT	3/4" THRU 2" BACKFLOW PREVENTER (OR EQUIVALENT BY OTHERS)
C	1	PENTAIR	263080	FILTRATION VALVE - FULLFLOWX MULTI-PORT BACKWASH VALVE KIT - SIDE MOUNT PORTS
CC	1	ROLA-CHEM	RC554XP	READY TO MOUNT ORP/pH-CONTROLLER
CT	2	ROLA-CHEM	561415 (TANK AND COVER)	15 GALLON SODIUM HYPOCHLORITE/ACID STORAGE TANK WITH COVER
DR	2	AQUASTAR	12MF101	MAIN DRAIN COVER; 12" X 12" (71.2 SQ./IN. OPEN AREA); VGBA CERTIFIED APSP/ANSI/ICC-16 2017 AND NSF 50-2009A
DR1	2	AQUASTAR	9MF101	WATER FEATURE DRAIN COVER; 9" X 9" (36.8 SQ./IN. OPEN AREA); VGBA CERTIFIED APSP/ANSI/ICC-16 2017 AND NSF 50-2009A
DS	2	ASA	FBS-50-812-4	12"X12" PRE-MANUFACTURED DRAIN SUMP ASSEMBLY
DS	2	ASA	FBS-50-809-3	9"X9" PRE-MANUFACTURED DRAIN SUMP ASSEMBLY
FD	1			FLOOR DRAIN BY OTHERS
FM	1	B/W INDUSTRIES	F30300P	IN-LINE FLOW METER - 3" TOP MOUNT; 45 TO 240 GPM
FM1	1	H2FLOW CONTROLS	FLOWVIS FV-25	IN-LINE HORIZONTAL FLOW METER - 2-1/2" TOP MOUNT WITHIN FACTORY TEE-FITTING; 10 TO 110 GPM
HB	2			3/4" HOSE BIB WITH VACUUM BREAKER - LOCATE AS SHOWN IN EQUIPMENT ROOM & DECKING PLAN
HR	1	S.R. SMITH	2HR-3-065-MG	HANDRAIL- 3" STAINLESS STEEL 2-BEND WITH 2 BRONZE ANCHOR SOCKETS (AS-100B) & 2 ESCUTEONS (EP-100F); MARINE GRADE
HR1	1	S.R. SMITH	2HR-4-065-MG	HANDRAIL- 4" STAINLESS STEEL 2-BEND WITH 2 BRONZE ANCHOR SOCKETS (AS-100B) & 2 ESCUTEONS (EP-100F); MARINE GRADE
HR1	1	S.R. SMITH	F4H-100-MG	FIGURE "4" HANDRAIL- 2-6" STAINLESS STEEL 4-BEND WITH 2 BRONZE ANCHOR SOCKETS (AS-100B) & 2 ESCUTEONS (EP-100F); MARINE GRADE
HV	1	HAYWARD OR EQUAL	SP1056 VALVE OR EQUAL SP1055 TUBE OR EQUAL	HYDROSTATIC RELIEF VALVE ASSEMBLY WITH 2" SLOTTED PVC COLLECTOR TUBE
LD	2	S.R. SMITH	LF-24-38-MG	LADDER - STAINLESS STEEL 3-STEP WITH 2 BRONZE ANCHOR SOCKETS (AS-100B) & 2 ESCUTEONS (EP-100F); SLIP-RESISTANT TREADS; MARINE GRADE
OF	1	HAYWARD	SP1019	POOL WATER OVERFLOW FITTING (2" FIP AND 2" SKT SOCKET DECK DRAIN)
RF	4	PENTAIR	08417-0000	FLOOR RETURN INLET - 1-1/2" INLET FIXTURES WITH ADJUSTABLE NOZZLES
RW	4	HAYWARD	SP-1419C	WALL RETURN INLET - 1-1/2" EYEBALL INLET FIXTURES WITH ADJUSTABLE NOZZLES (ALL EYEBALL FITTINGS TO BE SET AT APPROX. 10" WATER DEPTH)
SK	4	PENTAIR	506300	SKIMMER ASSEMBLY
UL	2	PENTAIR	601302	UNDERWATER WHITE LED POOL LIGHT - 500 WATT EQUIVALENT, UL LISTED, 120 VOLT
UL1	2	PENTAIR	GLO-BRITE 620040	UNDERWATER LED POOL LIGHT -15 WATT, UL LISTED, 12 VOLT, GFCI, TO INCLUDE 120V TO 12V TRANSFORMER
VP	1	CMP	25505-000-000	VOB COMPLIANT 2" POOL VACUUM PORT TO INCLUDE CMP "VAC LOCK"
WL	1	PENTAIR	T40-FW	1" WATER LEVEL CONTROLLER - AUTOMATIC POOL WATER FILL AND WATER LEVEL CONTROLLER
SIGN	2	RAINBOW	#R234100 (NC)	POOL RULES SIGN
SIGN	3	RAINBOW	#R230600	NO DIVING SIGN
SIGN	3	RAINBOW	#R235100	NO LIFEGUARD SIGN
SIGN	2	NASSCO	#33631014115	PLEASE SHOWER BEFORE ENTERING POOL

POOL DATA	
POOL AREA (50'-0" X 25'-0"; 3'-0" - 5'-0" DEEP)	1250 SQ/FT
POOL PERIMETER	150 LINEAR FEET
POOL VOLUME	3045 GALLONS
MINIMUM FILTRATION CYCLE (6.0 HOURS)	84 GPM
DESIGN FILTRATION CYCLE (3.95 HOURS)	127 GPM
MINIMUM FILTER AREA (Ø 20 GPM/SF SURFACE AREA)	4.20 SQ/FT
DESIGN FILTER AREA (Ø 4000 GPM/SF SURFACE AREA)	7.06 SQ/FT
COMBINED POOL AND DECK AREA	4742 SQ/FT
NET DECK AREA	3492 SQ/FT
POOL OCCUPANCY LIMIT	83 PERSONS
POOL LIGHTING REQUIRED (SQ/FT X 0.5 WATTS)	625 WATTS
POOL LIGHTING PROVIDED	1030 WATTS
CHEMICAL STORAGE (12.00 SQ/FT MINIMUM REQUIRED)	43 SQ/FT PROVIDED

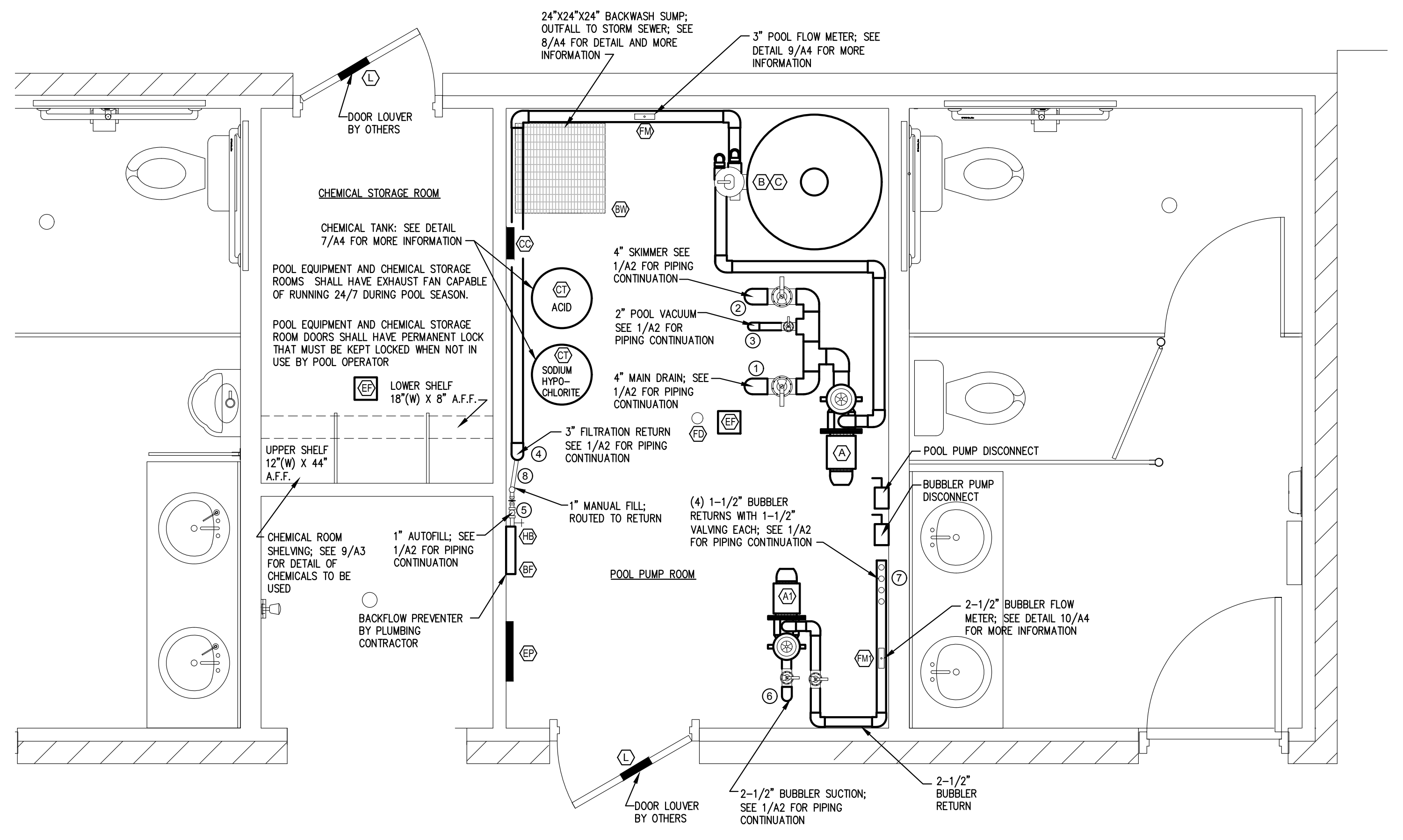
**NIGHT SWIMMING NOT ALLOWED**

POOL PUMP ROOM PIPING KEY	
TAG	DESCRIPTION
①	4" MAIN DRAIN WITH PVC BALL VALVE
②	4" SKIMMER WITH PVC BUTTERFLY VALVE
③	2" VACUUM WITH PVC BALL VALVE
④	3" RETURN
⑤	1" AUTO FILL LINE (DOMESTIC WATER SUPPLY BY G.C.)
⑥	2-1/2" WATER FEATURE SUCTION
⑦	1-1/2" WATER FEATURE RETURN
⑧	1" MANUAL POOL FILL CONNECT TO POOL RETURN

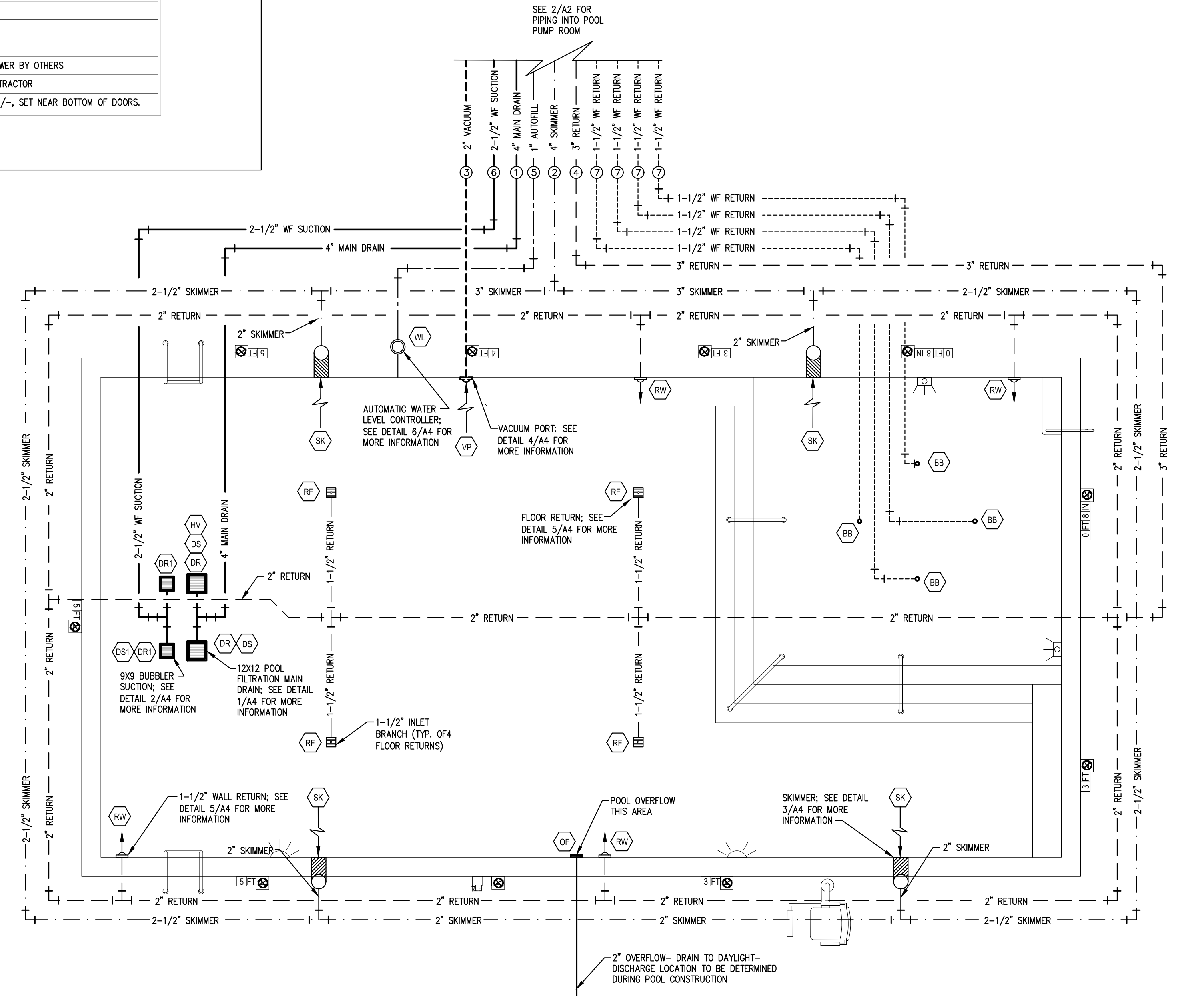
POOL PUMP ROOM EQUIPMENT KEY	
TAG	DESCRIPTION
A	PENTAIR INTELLIFLO VSF CIRCULATION PUMP
A1	PENTAIR SUPERFLO VSF BUBBLER PUMP
B	36" HI-RATE SAND FILTER PENTAIR TR-140C
BF	BACKFLOW PREVENTER BY G.C.
BW	24" X 24" X 24" BACKWASH SUMP W/ 4" OUTFALL TO STORM SEWER
C	2" MULTI-PORT SELECTOR VALVE
CC	CHEMICAL CONTROLLER
CT	15 GAL HDPE CHEMICAL TANK
EF	POWER EXHAUST VENTILATORS (2) BY OTHERS
EP	ELECTRICAL PANEL BY OTHERS
FM	3" POOL FLOW METER
FM1	2-1/2" BUBBLER FLOW METER
FD	3" FLOOR DRAIN TO SANITARY SEWER BY OTHERS
HB	3/4" HOSE BIB BY GENERAL CONTRACTOR
L	LOUVERS IN DOORS 12" X 12" +/-, SET NEAR BOTTOM OF DOORS.



**3 A2 POOL EQUIPMENT/FIXTURE LAYOUT**  
SCALE: 3/16" = 1'-0"



**2 A2 PUMP/CHEMICAL STORAGE ROOMS**  
SCALE: 1/2" = 1'-0"



**1 A2 POOL PIPING PLAN**  
SCALE: 1/4" = 1'-0"

**Robert Charles Evans**  
 2004 HAYWARD ROAD, SUITE 108, FAYETTEVILLE, NORTH CAROLINA  
 6530  
 NORTH CAROLINA  
 FAYETTEVILLE, N.C.

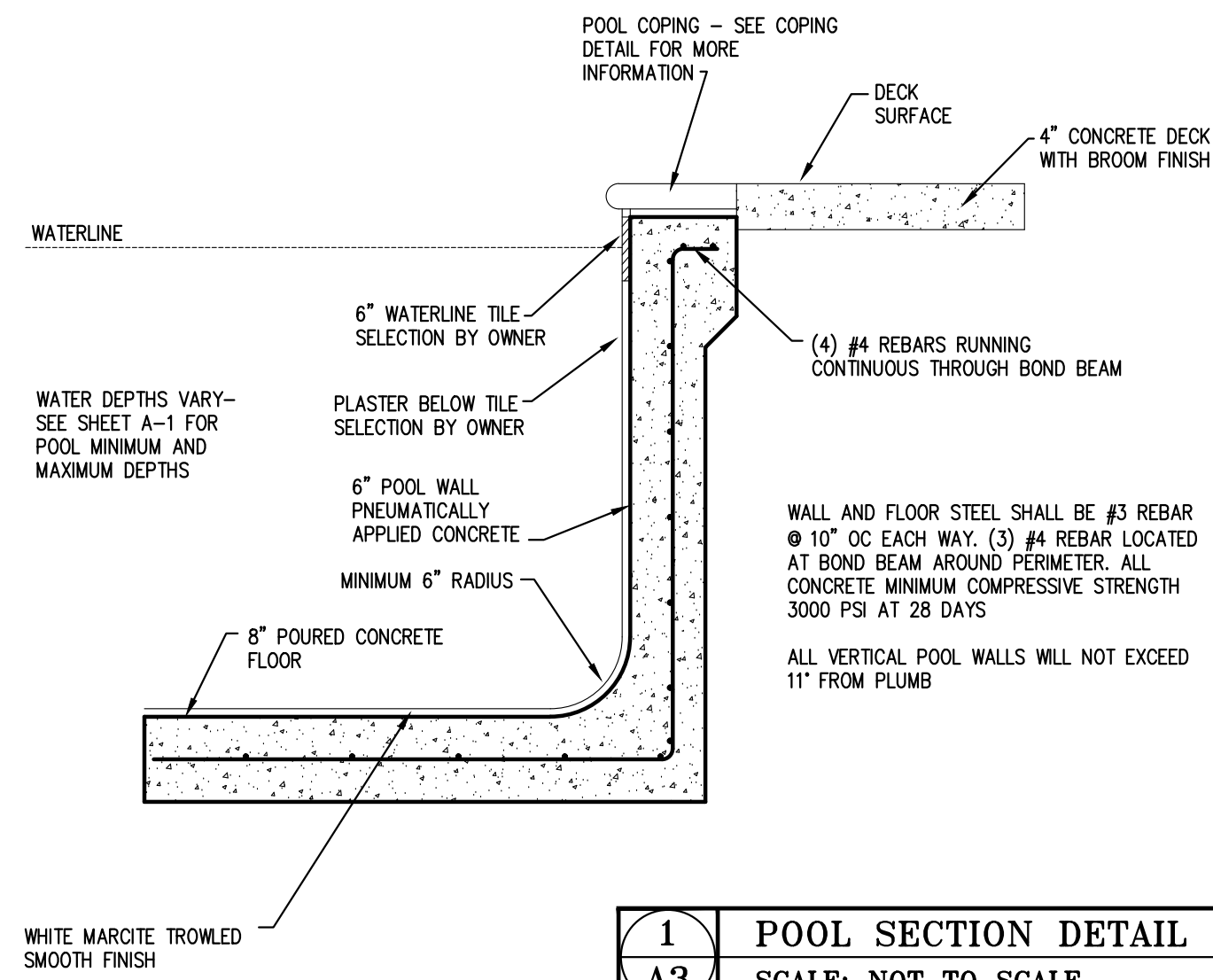
**CLAYTON BRITT AND SONS, INC.**  
 3703 BRAGG BOULEVARD  
 FAYETTEVILLE, NORTH CAROLINA 28301  
 910.868.8319  
 RICKY BRITT  
 NC BUILDING LICENSE #365207

**Spa and Pool World**  
 by Clayton Britt & Sons

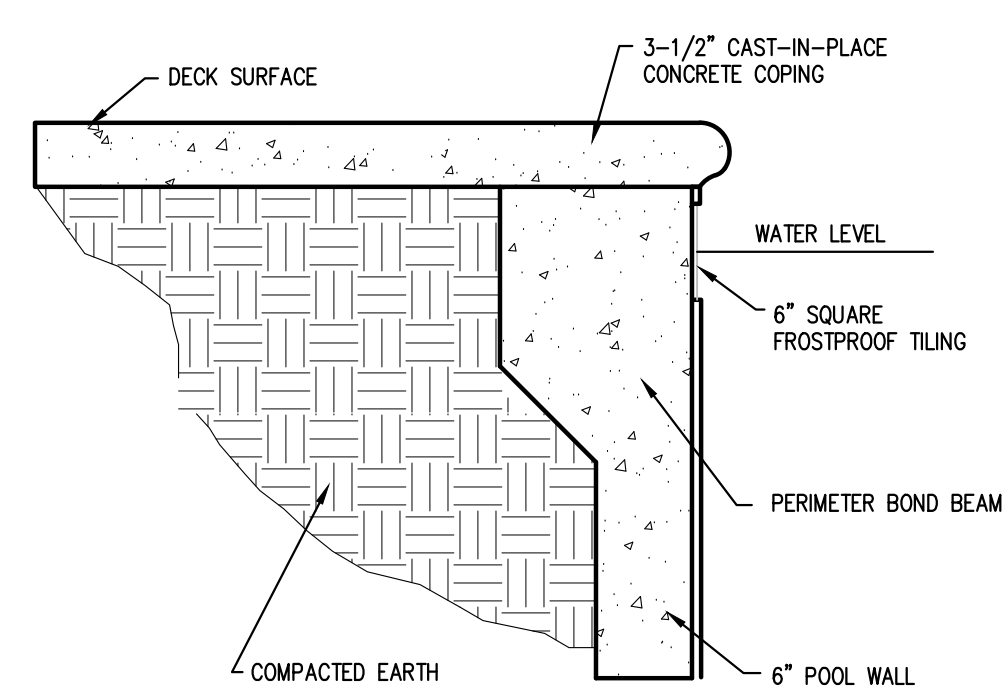
**OWNERS:** HATCHER CREEK LLC.  
 126 BRANDON DRIVE  
 LILLINGTON, NC 27546  
**DATE:** JUNE 25TH 2022  
**REVISIONS:** AS SHOWN  
**SCALE:** AS SHOWN  
**DRAWN:** J.PARRISH

**LOCATION:** THE GROVE AT 421  
 61 GROVE CIRCLE  
 LILLINGTON, NC 27546

SHEET NO: **A2**

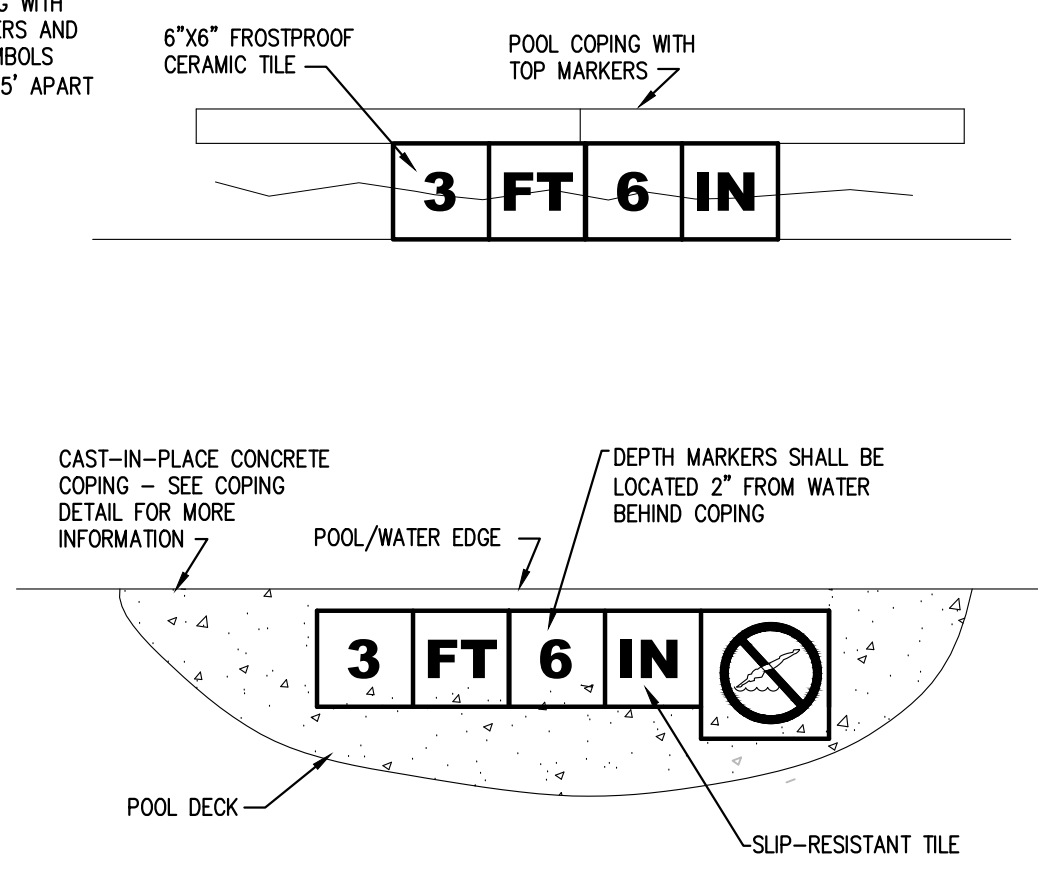


**1** POOL SECTION DETAIL  
A3 SCALE: NOT TO SCALE

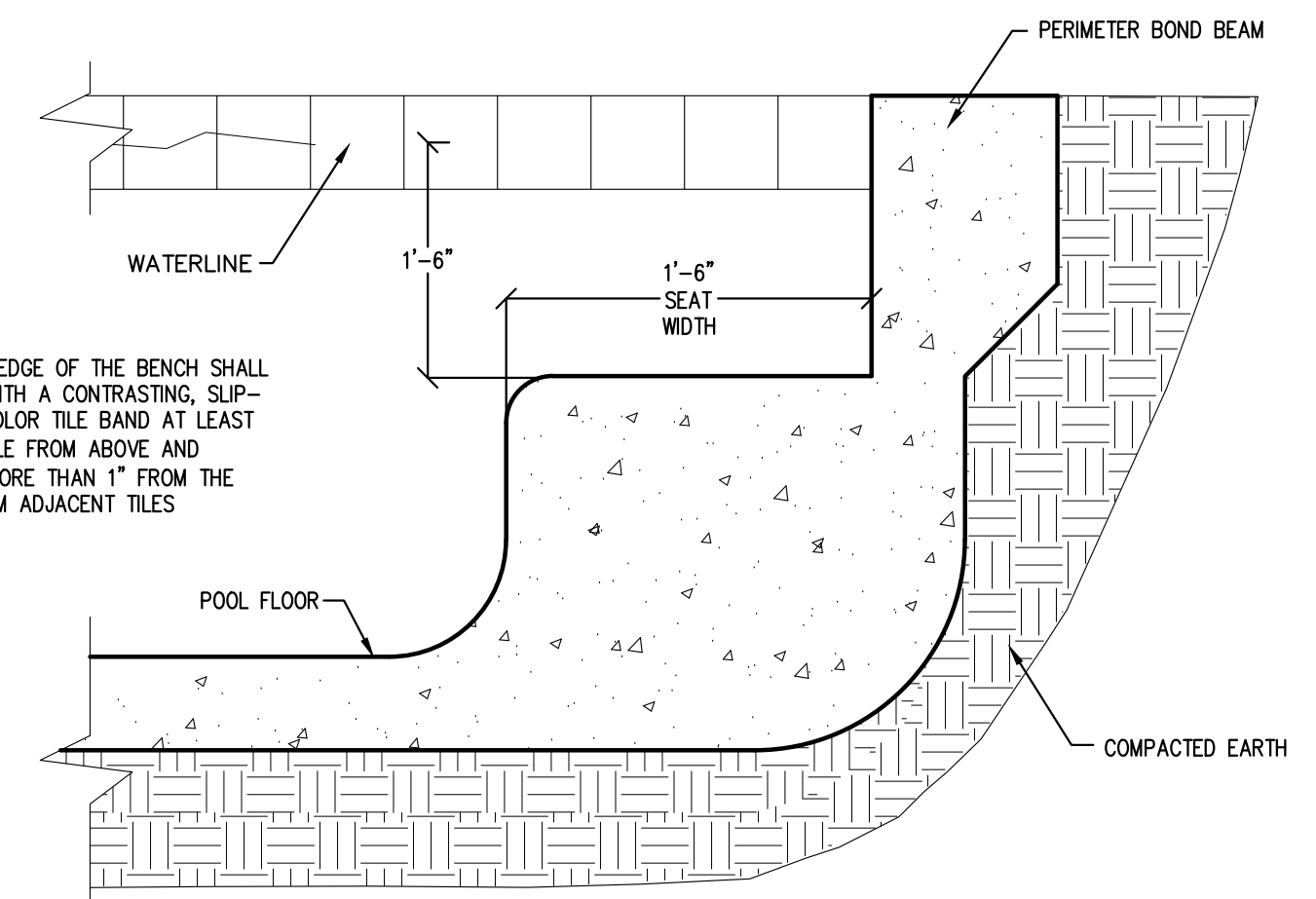


**2** COPING DETAIL  
A3 SCALE: NOT TO SCALE

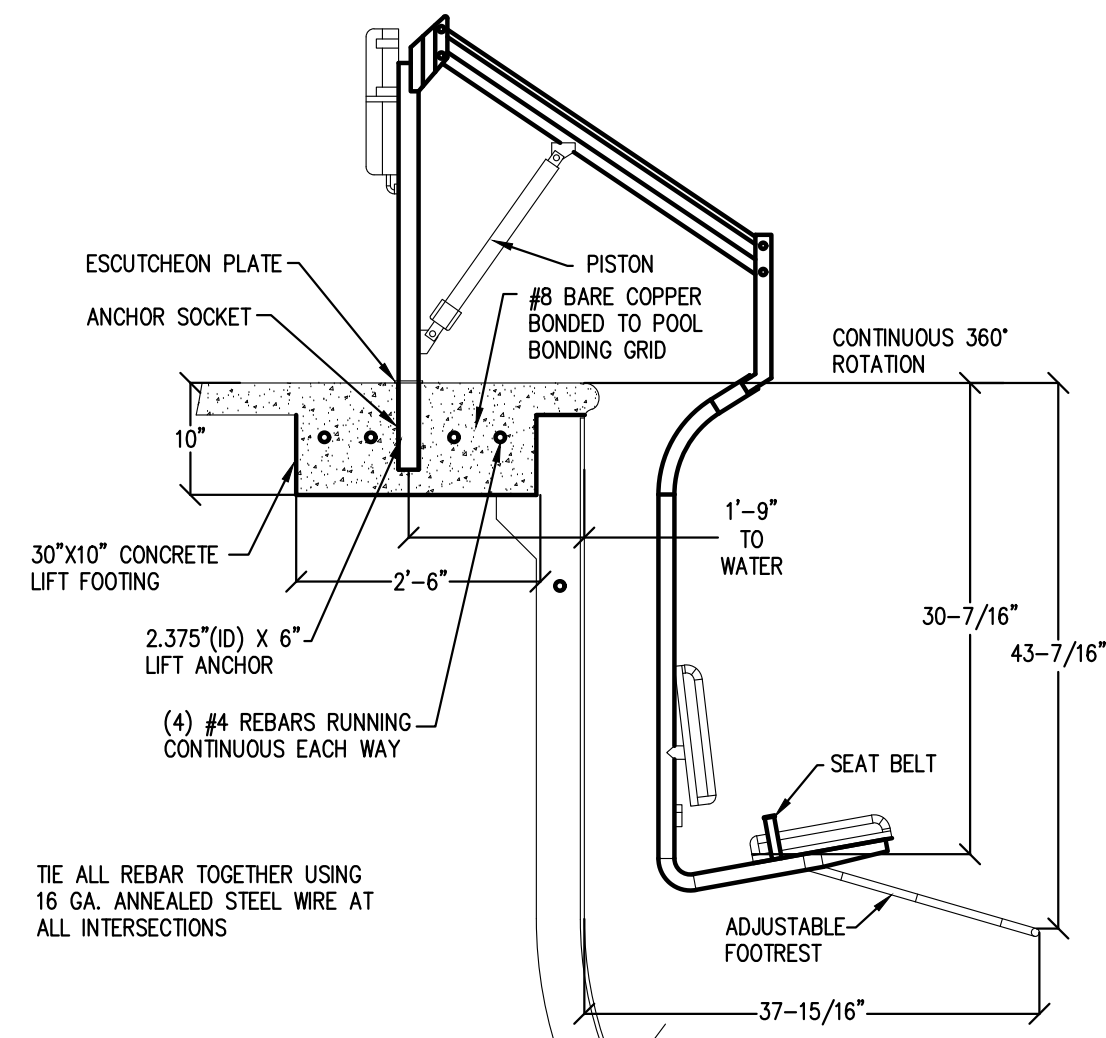
DEPTH MARKERS SHALL BE PROVIDED ON THE DECK (NON-SKID) AT MAX AND MIN DEPTHS. BREAK BETWEEN DEEP AND SHALLOW PORTIONS AND AT INTERMEDIATE INCREMENTS. DEPTH MARKERS SHALL BE MINIMUM 4" HIGH AND OF COLOR CONTRASTING WITH BACKGROUND. DEPTH MARKERS AND INTERNATIONAL NO DIVE SYMBOLS SHALL BE NO MORE THAN 25' APART



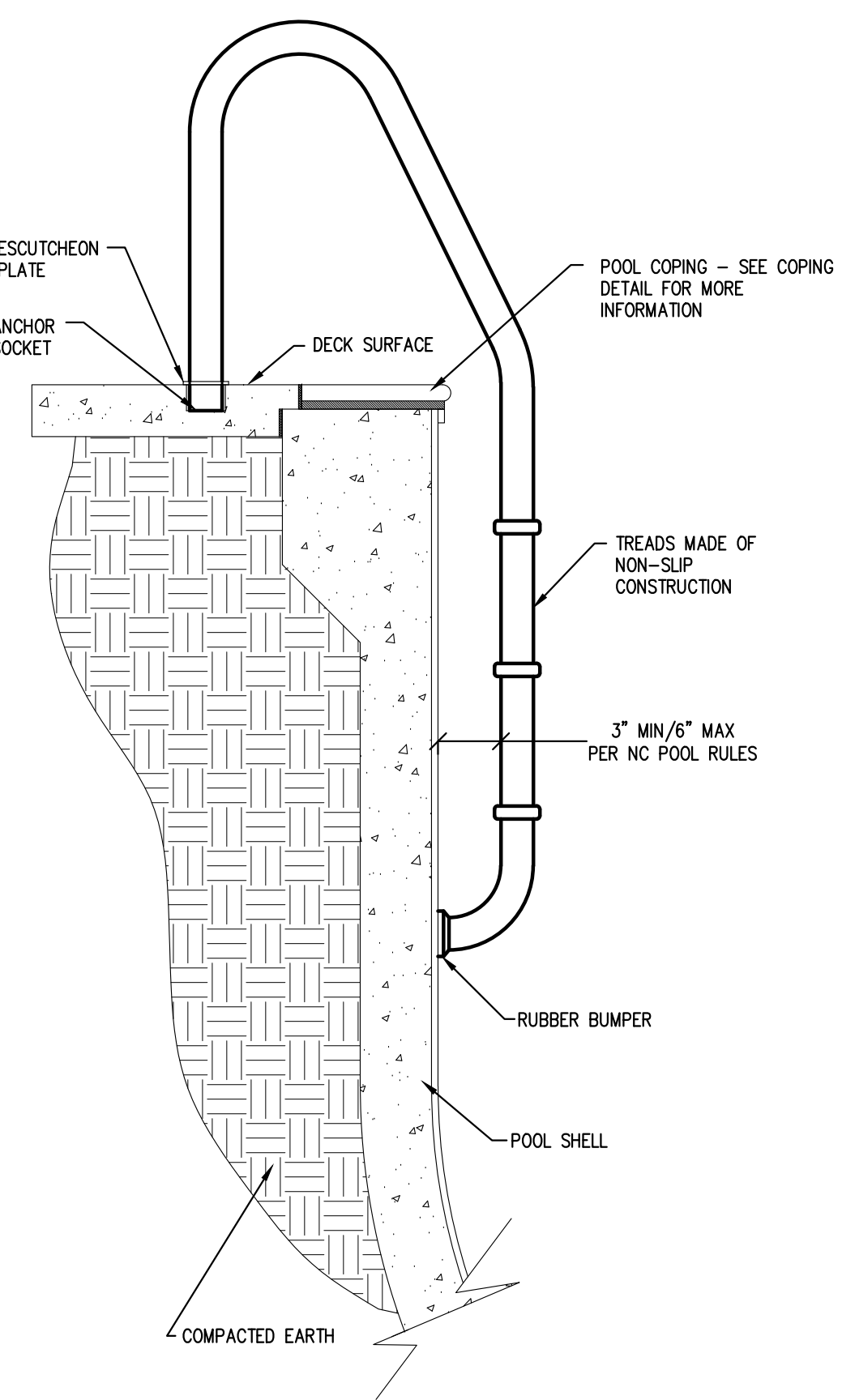
**3** DEPTH MARKER DETAIL  
A3 SCALE: NOT TO SCALE



**4** UNDERWATER BENCH SEAT DETAIL  
A3 SCALE: NOT TO SCALE



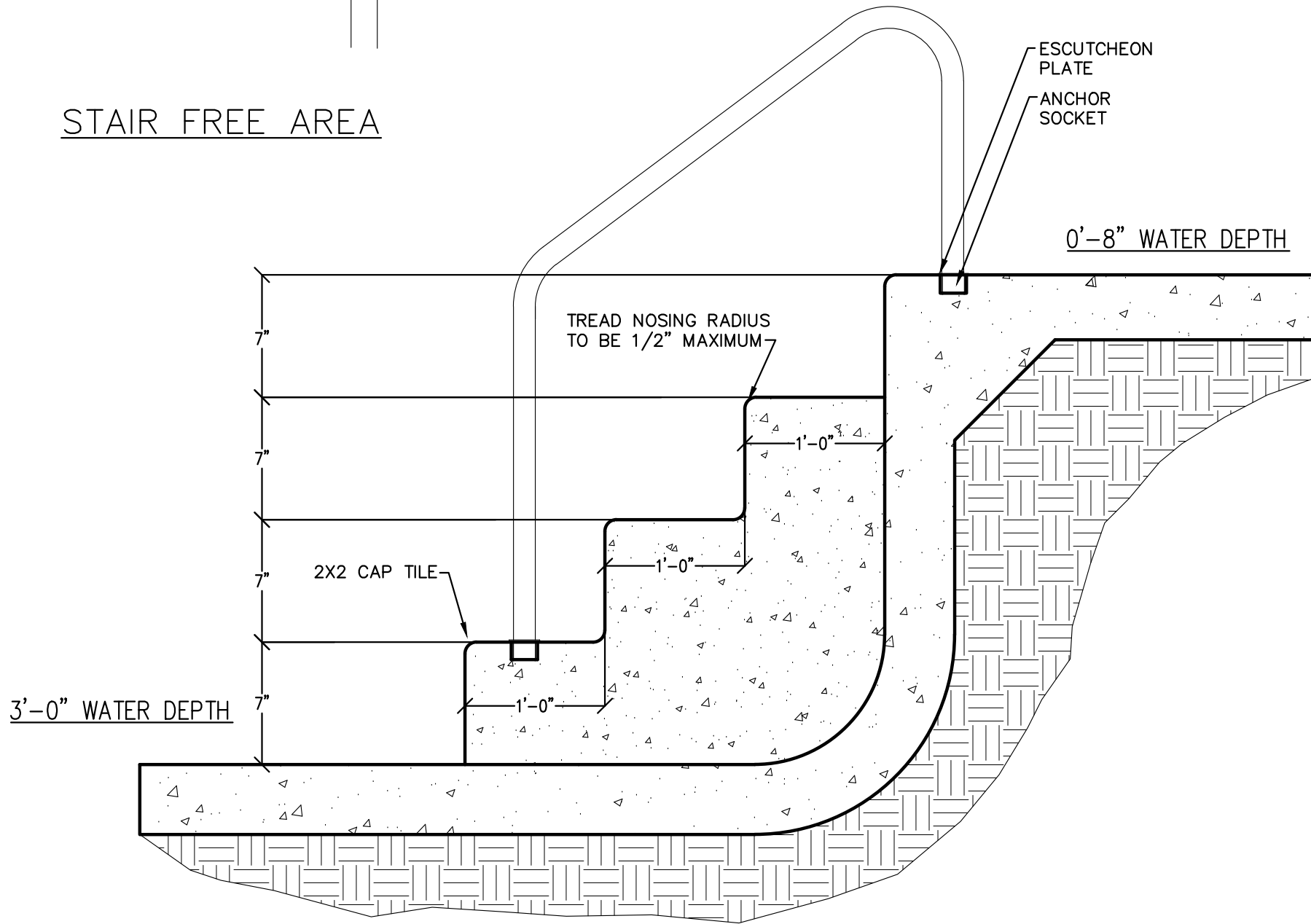
**5** HANDICAP LIFT DETAIL  
A3 SCALE: NOT TO SCALE



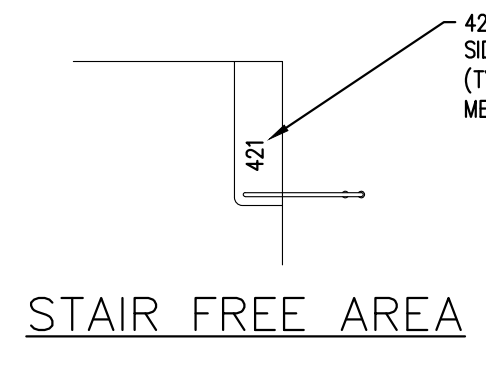
**6** LADDER DETAIL  
A3 SCALE: NOT TO SCALE

849	1007
1140	1157
1144	974
1306	987

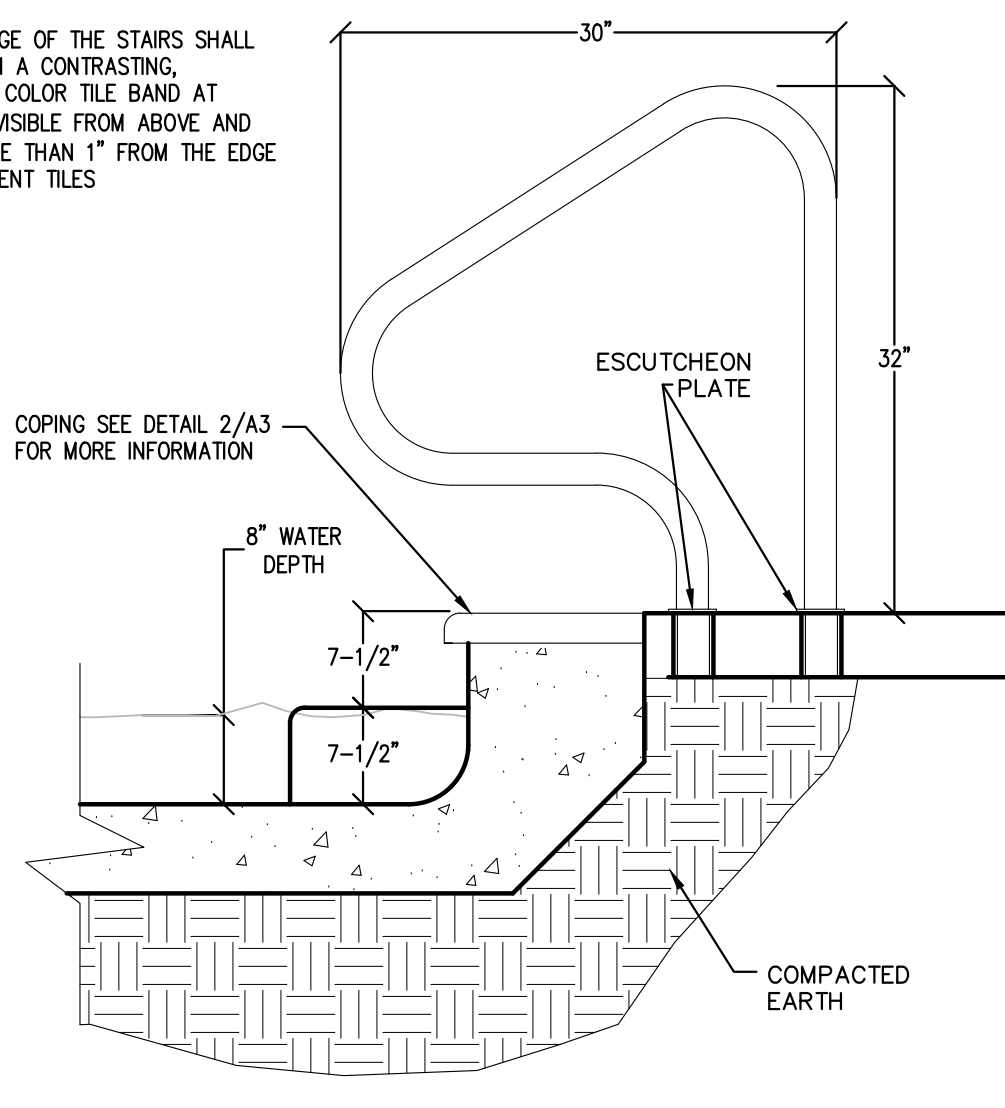
STAIR FREE AREA



**7** SUNSHELF TO MAIN POOL DETAIL  
A3 SCALE: NOT TO SCALE



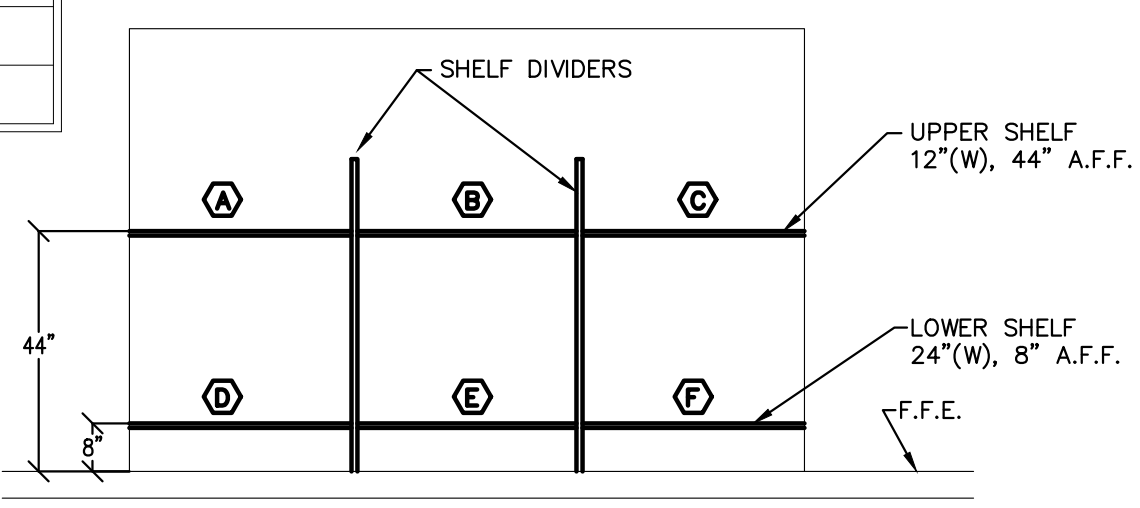
THE LEADING EDGE OF THE STAIRS SHALL BE MARKED WITH A CONTRASTING, SLIP-RESISTANT COLOR TILE BAND AT LEAST 2" WIDE VISIBLE FROM ABOVE AND SPACES NO MORE THAN 1" FROM THE EDGE OR FROM ADJACENT TILES



**8** SUNSHELF STEP DETAIL  
A3 SCALE: NOT TO SCALE

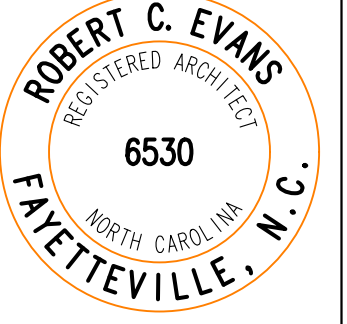
CHEMICAL ROOM SHELVING LAYOUT			
TAG	ITEM TYPE	ITEM DESCRIPTION	QUANTITY
A	MISC. SUPPLIES	MISC. SUPPLIES	VARIES
B	ANCILLARIES	GLB ALGIMYCIN 2000, STAINTRINE, ROBARB SUPER BLUE	1 GAL, 1 GAL, 1/2 GAL
C	MISC. SUPPLIES	TEST KITS, THERMOMETERS, CYANURIC ACID	N/A, N/A, 8 LBS
D	OXIDIZER	CALCIUM HYPOCHLORITE	100 LBS
E	PH LOWERING CHEMICALS	MURIATIC ACID	4 GALLONS
F	OXIDIZER	PROTEAM 3 PURETABS (TRICHLOR TABS)	100 LBS
G	BALANCING CHEMICALS	SODIUM BICARBONATE, SODA ASH, CALCIUM CHLORIDE	50 LBS BAGS EACH

SHELVING & DIVIDERS: WOODEN CONSTRUCTION



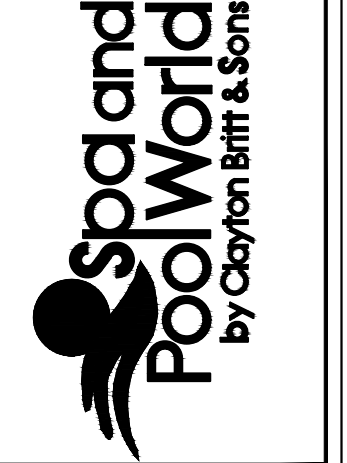
**9** CHEMICAL ROOM SHELVING DETAIL  
A3 SCALE: NOT TO SCALE

Robert Charles Evans  
2804 HAYWARD ROAD, SUITE 108, FAYETTEVILLE, NORTH CAROLINA



07.06.22

CLAYTON BRITT AND SONS, INC.  
3703 BRAGG BOULEVARD  
FAYETTEVILLE, NORTH CAROLINA 28301  
910.868.8319  
RICKY BRITT  
NC BUILDING LICENSE #36507



OWNERS: HATCHER CREEK LLC.  
126 BRANDON DRIVE  
LILLINGTON, NC 27546

LOCATION: THE GROVE AT 421  
61 GROVE CIRCLE  
LILLINGTON, NC 27546

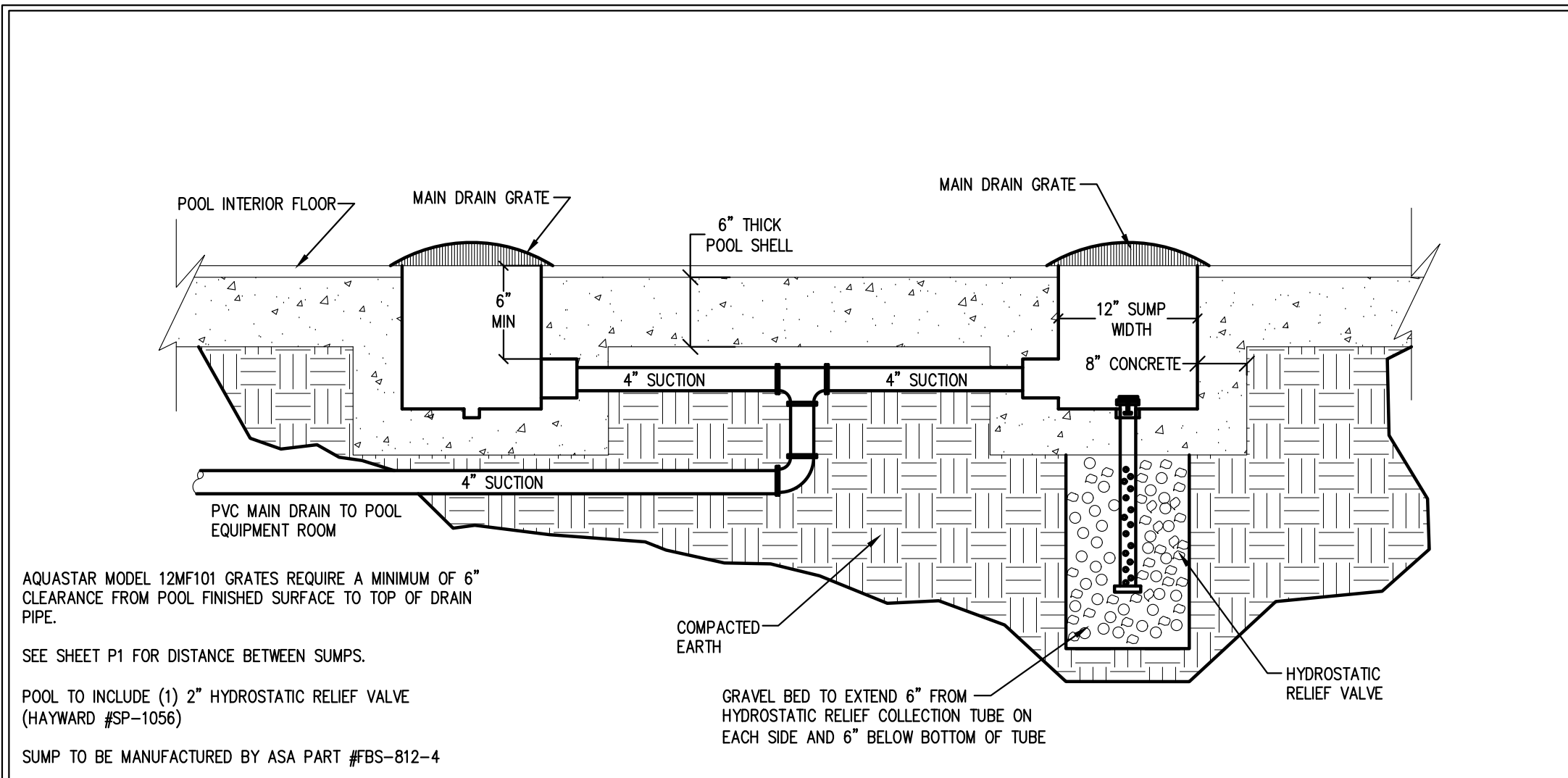
DATE: JUNE 25TH 2022

SCALE: AS SHOWN

DRAWN: J. PARRISH

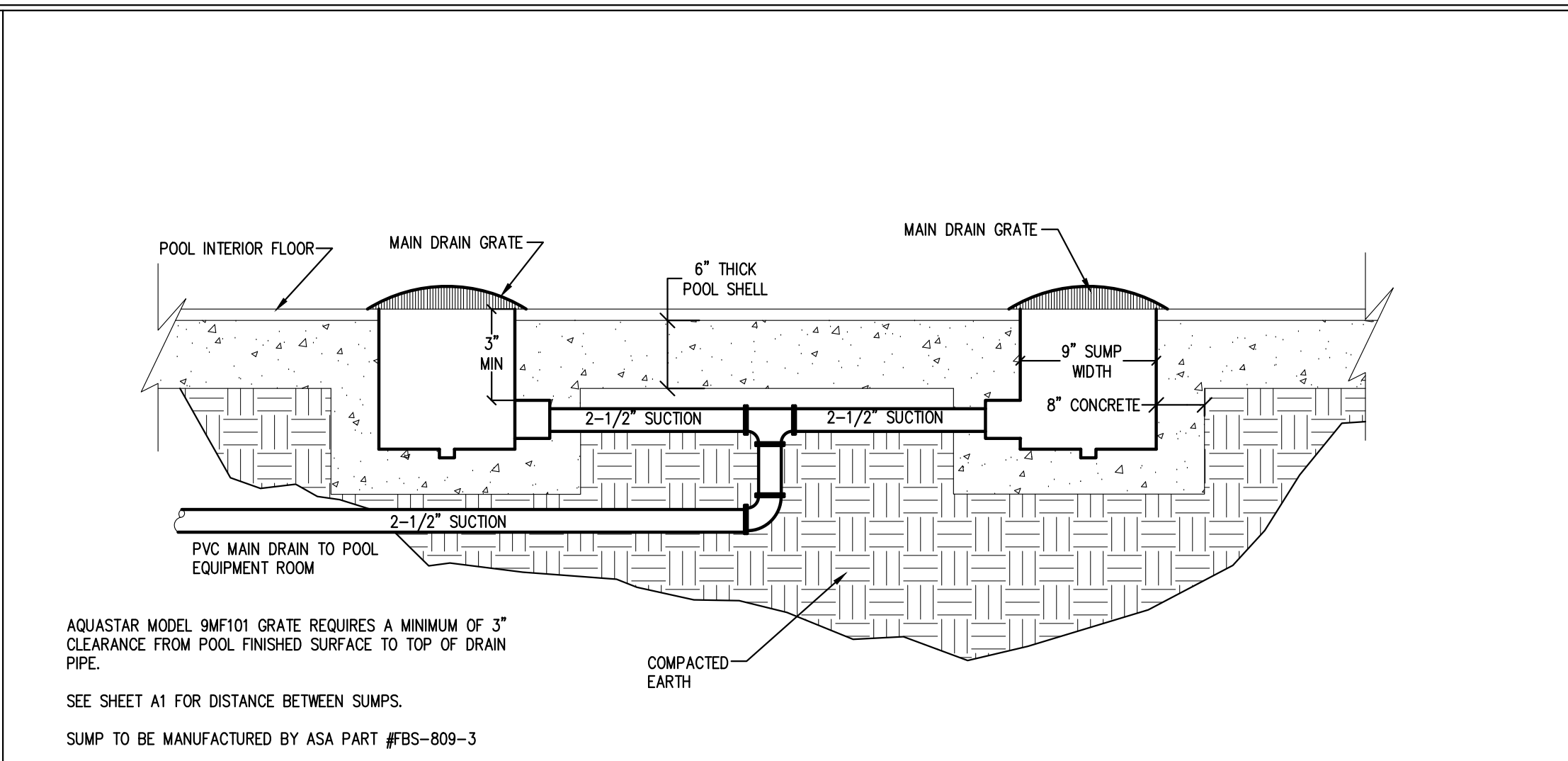
SHEET NO:

**A3**



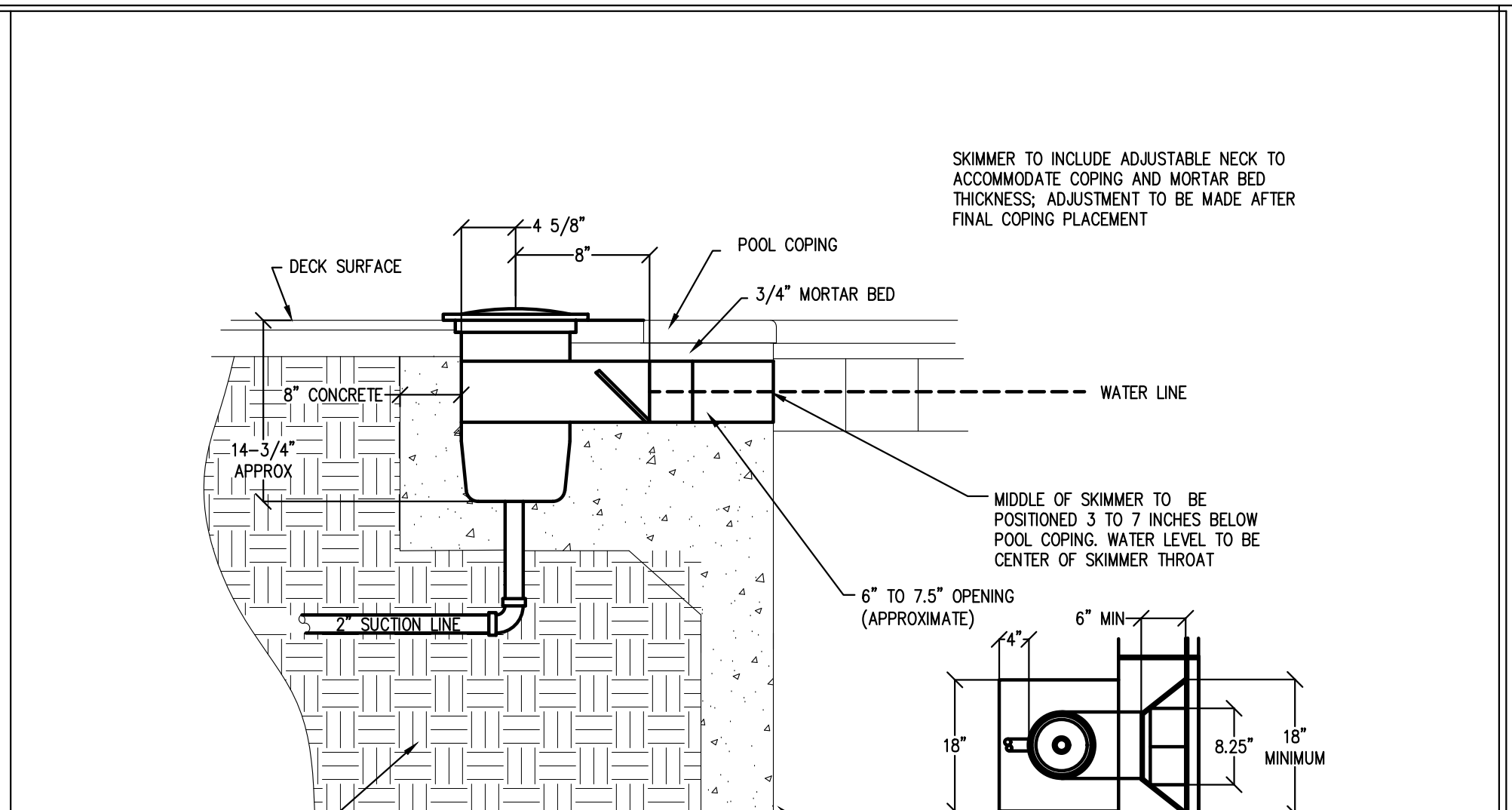
TAG	SIZE	SERVICE	DRAIN OPENING	PIPE SIZE	MIN/DESIGN PIPE DISTANCE FROM FINISHED POOL FLOOR	PART NUMBER
DR	12"x12"	MAIN DRAIN	71.2 SQ/IN OPEN AREA: SOFA FLOW RATING 540 GPM SOFA MODEL 12MF-12F_A-4S, 2.5B_B6_C0.3_D0.7_E3_F16	4"	6" MIN / 6.5" DESIGN	AQUASTAR 12MF101

**1** MAIN DRAIN/HYDROSTATIC RELIEF DETAIL  
SCALE: NOT TO SCALE

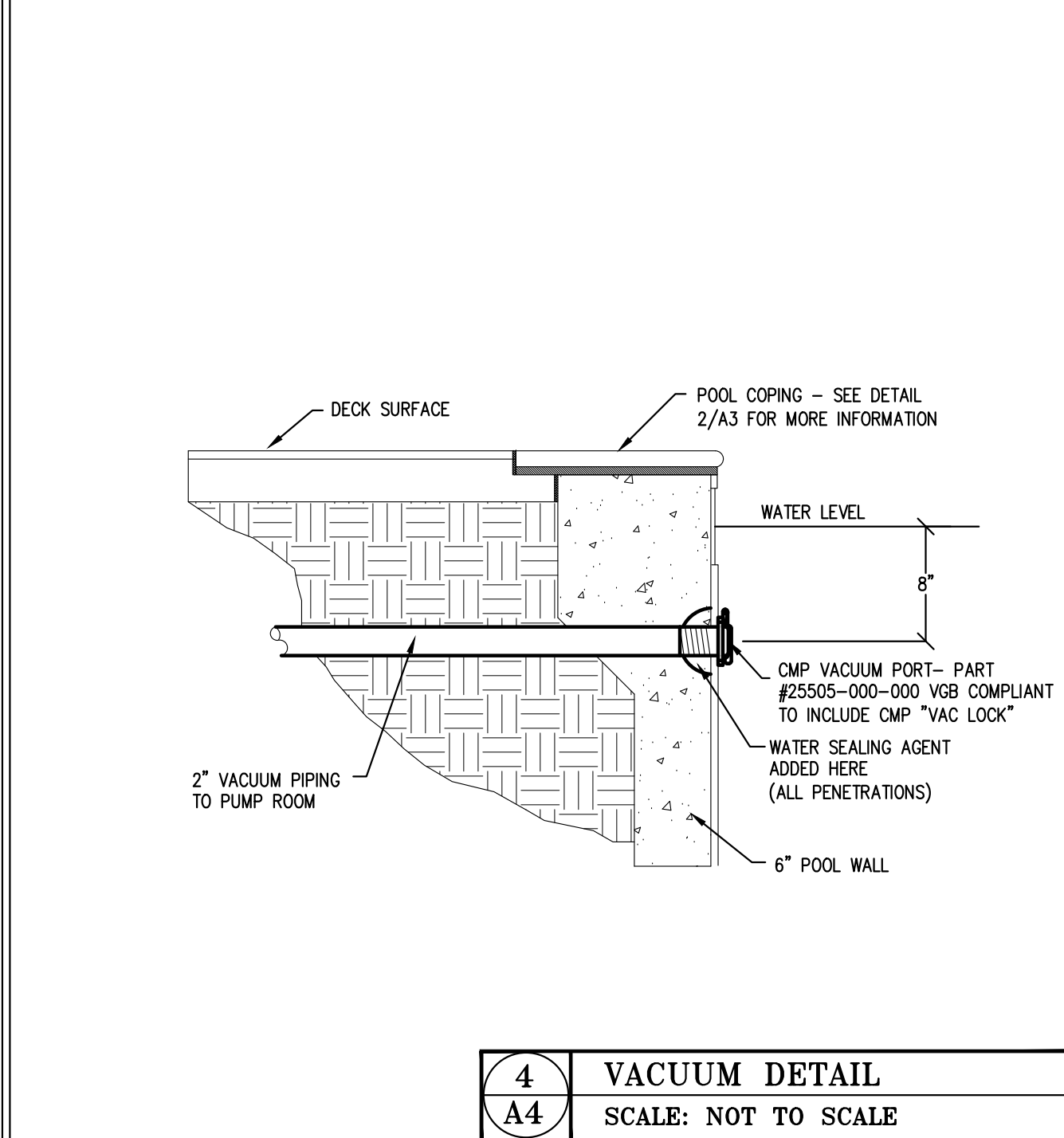


TAG	SIZE	SERVICE	DRAIN OPENING	PIPE SIZE	MIN/DESIGN PIPE DISTANCE FROM FINISHED POOL FLOOR	PART NUMBER
DR1	9"x9"	WATER FEATURE SUCTION	36.8 SQ/IN OPEN AREA: SOFA FLOW RATING 186 GPM SOFA MODEL 9MF-9F_A-2.5B_B3_C1.6_D0.5_E2.6_F16	2-1/2"	3" MIN / 3.5" DESIGN	AQUASTAR 9MF101

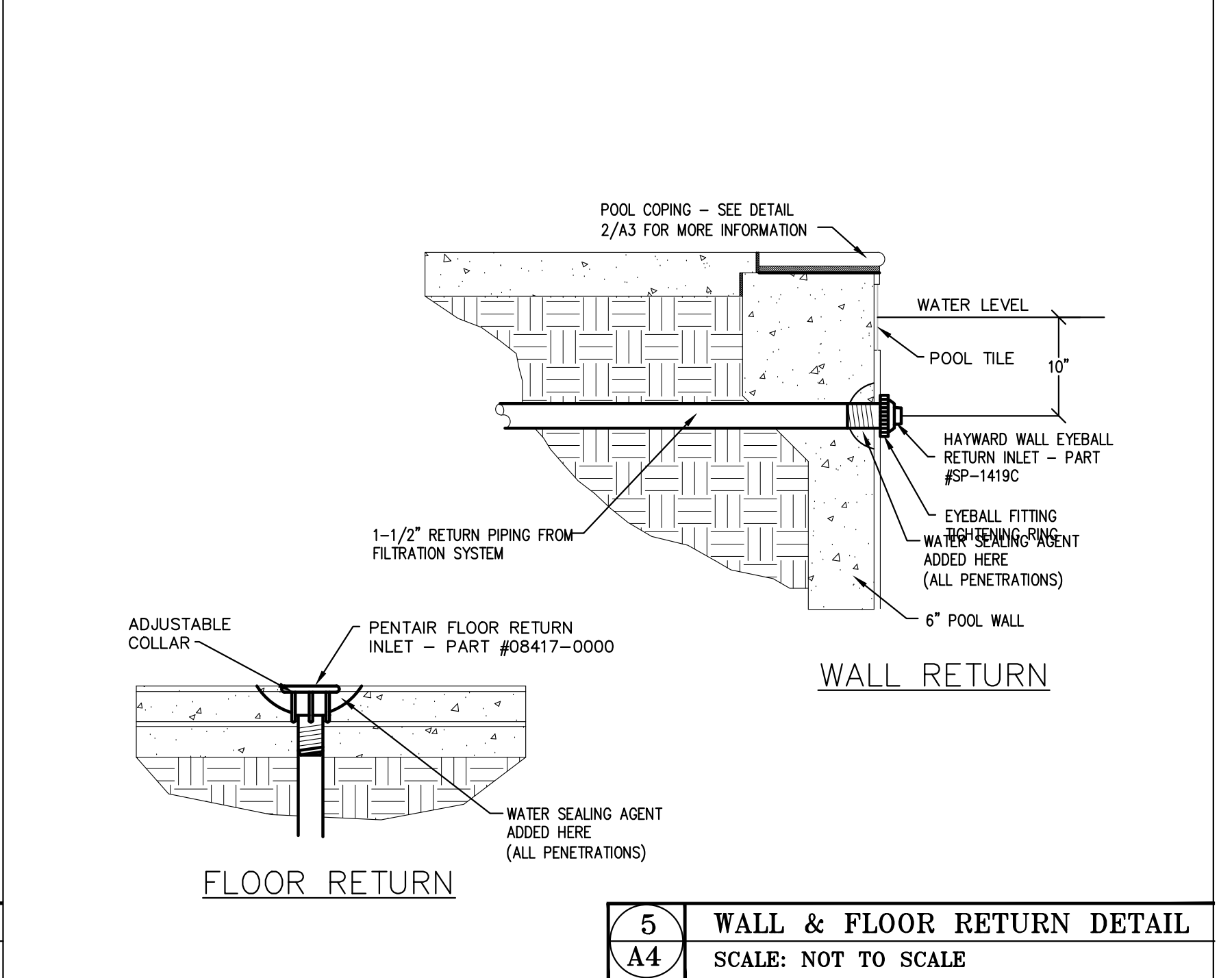
**2** WATER FEATURE SUCTION DETAIL  
SCALE: NOT TO SCALE



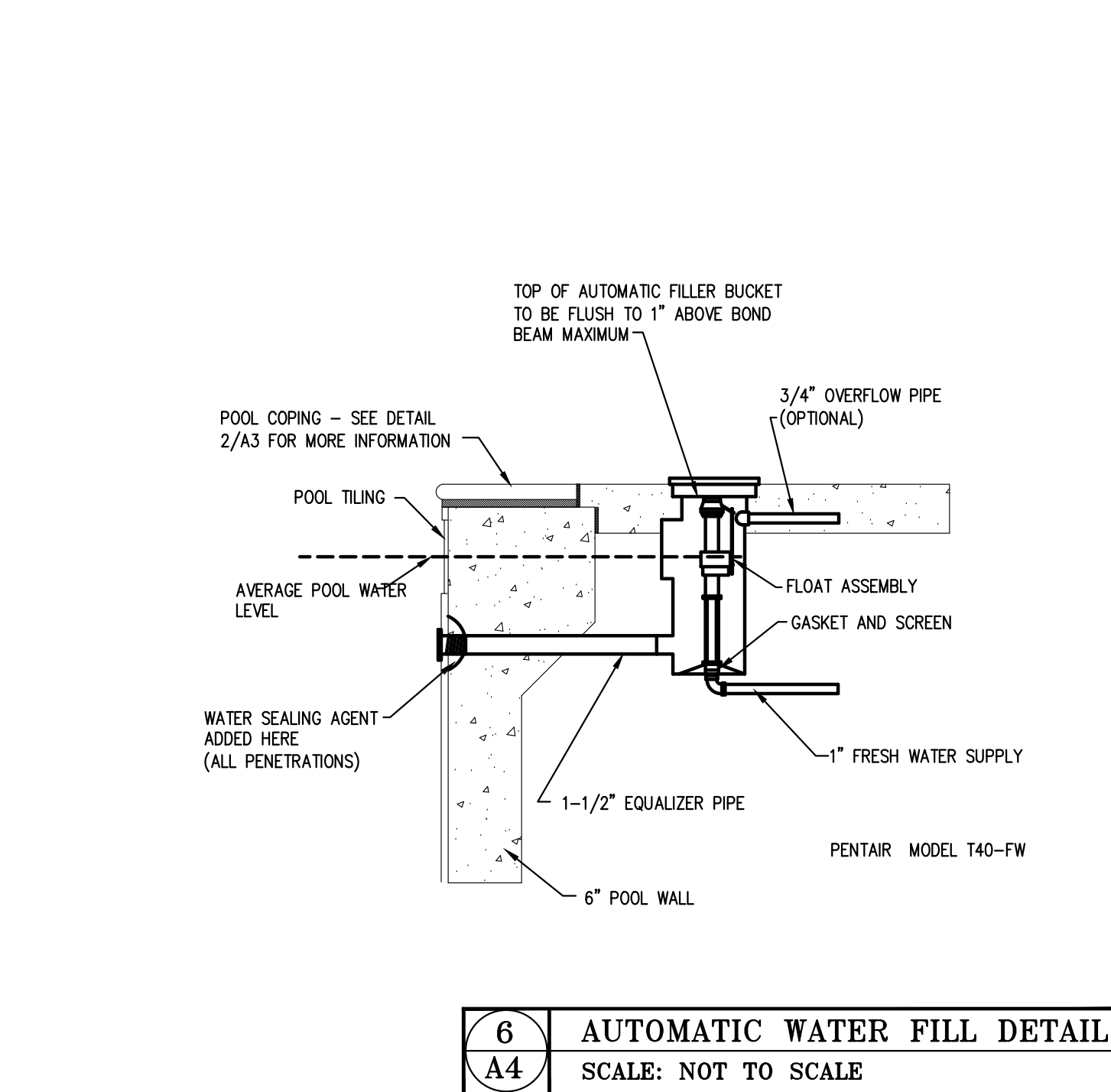
**3** SKIMMER DETAIL  
SCALE: NOT TO SCALE



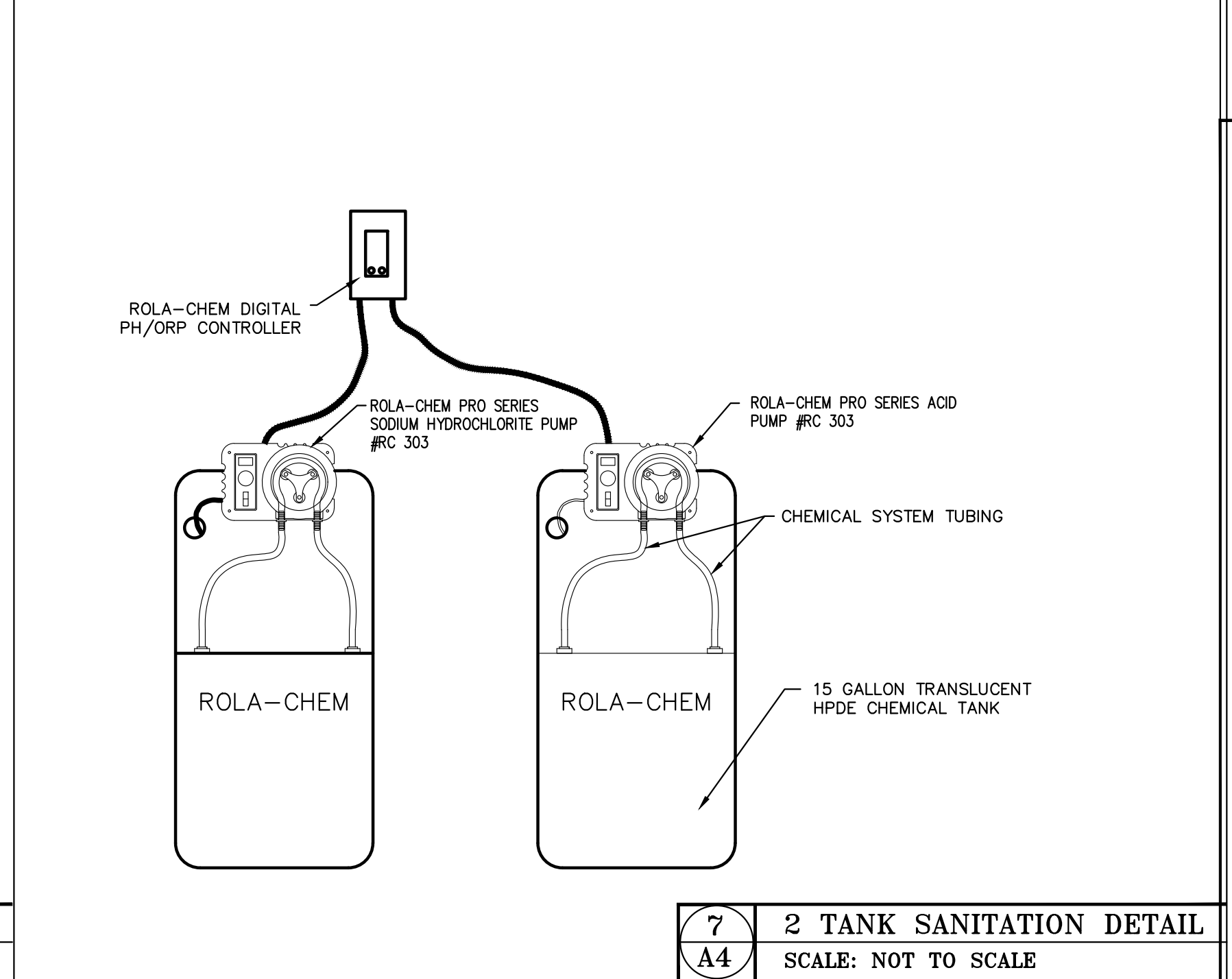
**4** VACUUM DETAIL  
SCALE: NOT TO SCALE



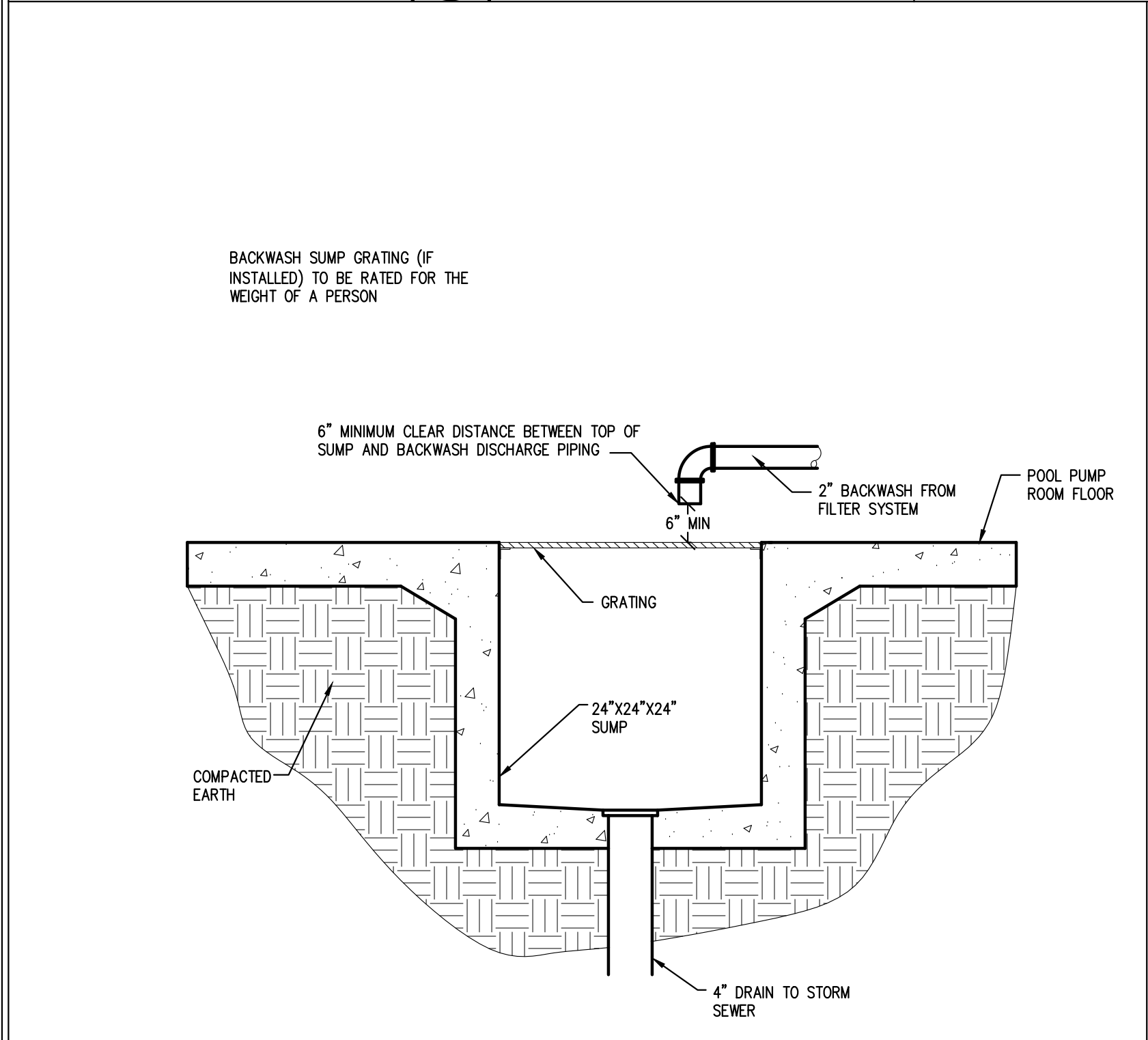
**5** WALL & FLOOR RETURN DETAIL  
SCALE: NOT TO SCALE



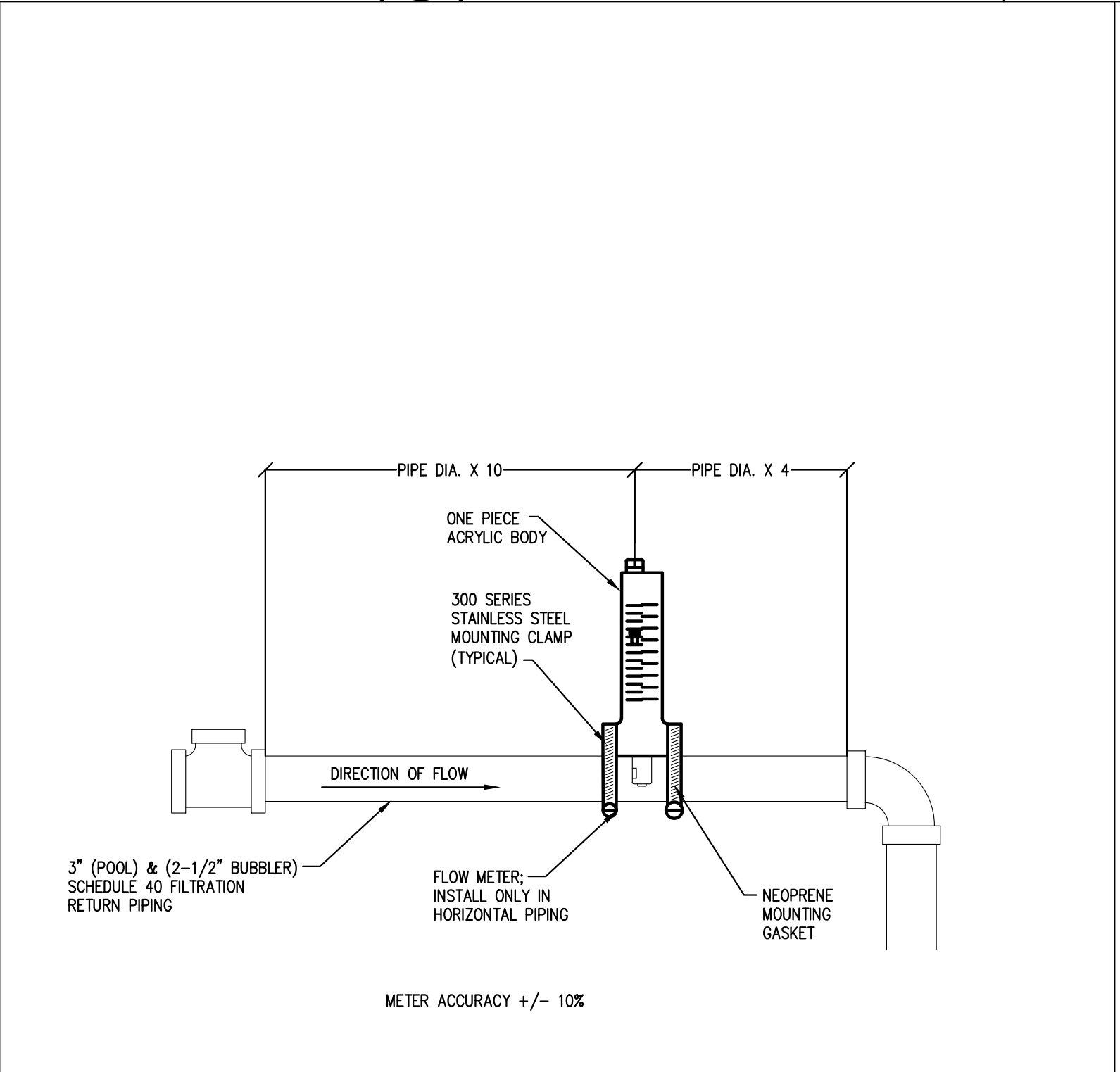
**6** AUTOMATIC WATER FILL DETAIL  
SCALE: NOT TO SCALE



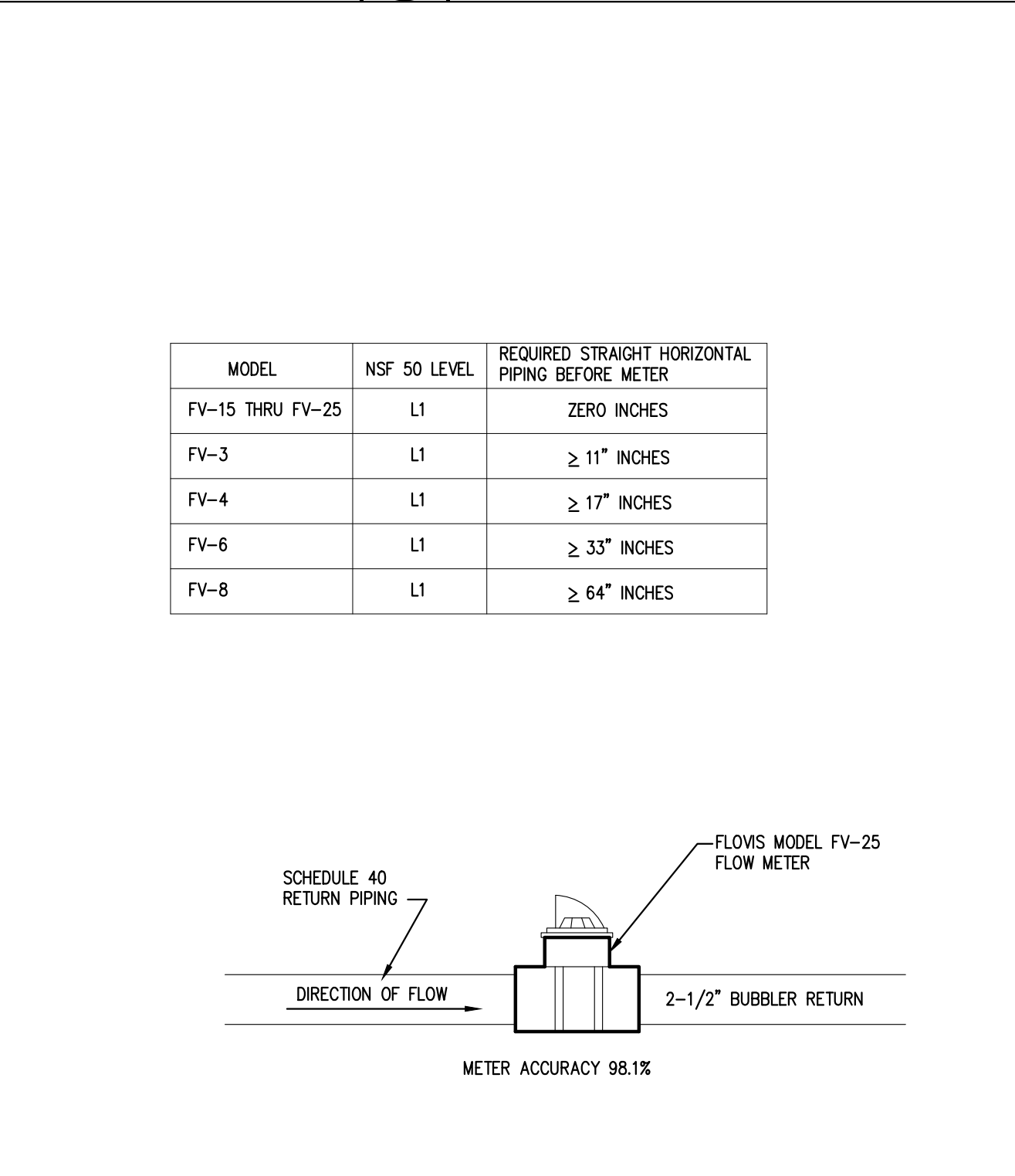
**7** 2 TANK SANITATION DETAIL  
SCALE: NOT TO SCALE



**8** SUMP DETAIL  
SCALE: NOT TO SCALE



**9** HORIZONTAL FLOW METER DETAIL  
SCALE: NOT TO SCALE



**10** BUBBLER FLOW METER DETAIL  
SCALE: NOT TO SCALE

MODEL	NSF 50 LEVEL	REQUIRED STRAIGHT HORIZONTAL PIPING BEFORE METER
FV-15 THRU FV-25	L1	ZERO INCHES
FV-3	L1	≥ 11" INCHES
FV-4	L1	≥ 17" INCHES
FV-6	L1	≥ 33" INCHES
FV-8	L1	≥ 64" INCHES

Robert Charles Evans  
2804 HAYWARD ROAD, SUITE 102, FAYETTEVILLE, NORTH CAROLINA  
6530  
FAYETTEVILLE, N.C.

CLAYTON BRITT AND SONS, INC.  
3703 BRAGG BOULEVARD  
FAYETTEVILLE, NORTH CAROLINA 28301  
910.868.8319  
RICKY BRITT  
NC BUILDING LICENSE #365207

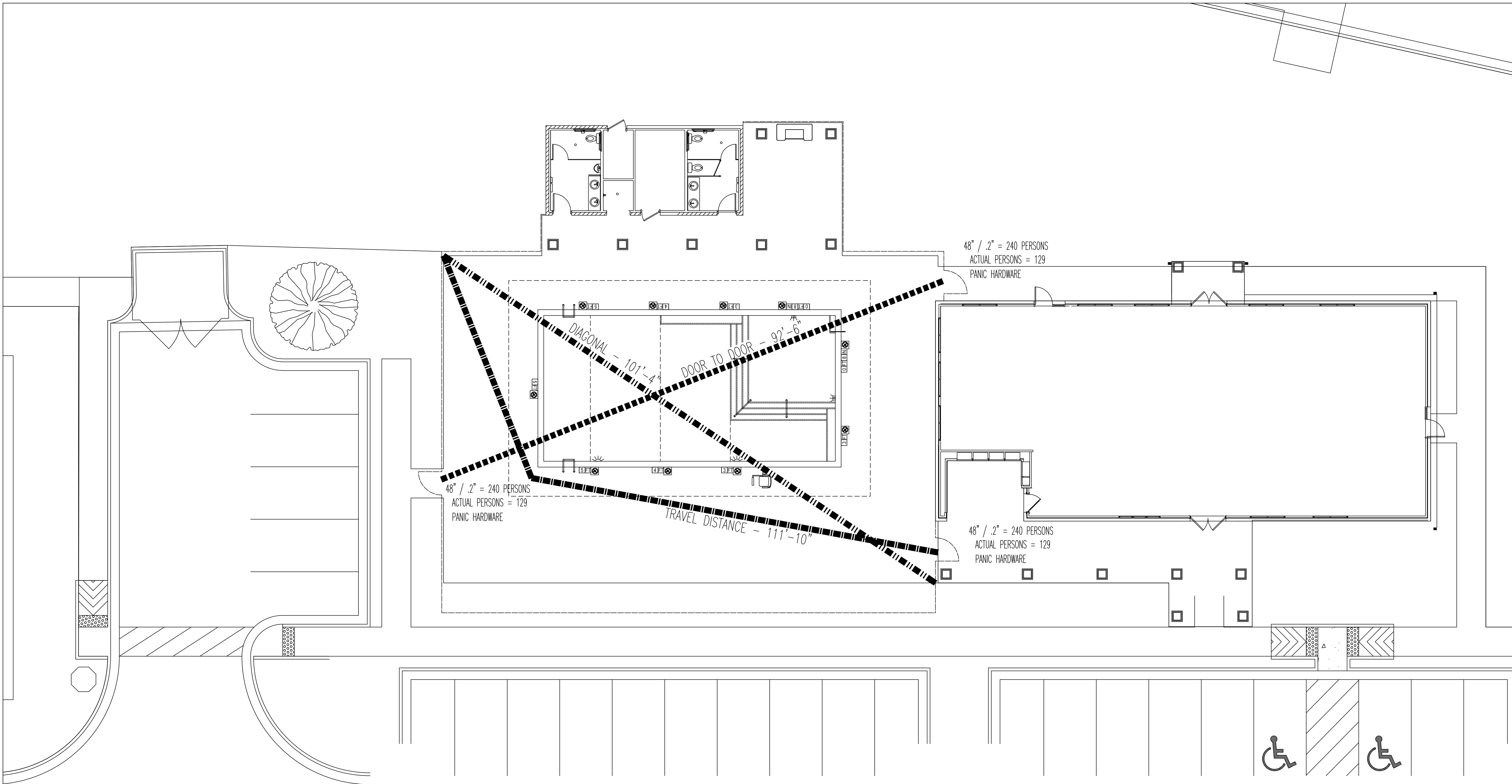
OWNERS: HATCHER CREEK LLC.  
126 BRANDON DRIVE  
LILLINGTON, NC 27546  
DATE: JUNE 25TH 2022

LOCATION: THE GROVE AT 421  
61 GROVE CIRCLE  
LILLINGTON, NC 27546

SCALE: AS SHOWN

DRAWN: J. PARRISH

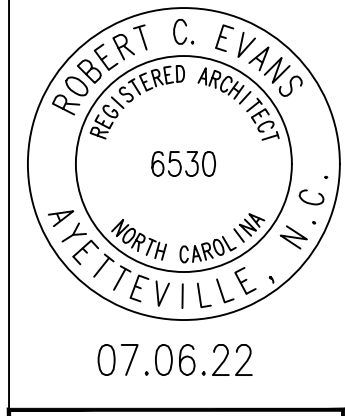
SHEET NO: **A4**



01	LIFE SAFETY PLAN	
AO	1/8" = 1'-0"	
<b>OCCUPANT CONTENT</b>		
POOL	1,250 sf / 50	= 25 PERSONS
DECK	3,492 sf / 15	= 233 PERSONS
<b>TOTAL OCCUPANT CONTENT</b>		<b>258 PERSONS</b>
<b>NOTES:</b>		
1. SEE ARCHITECTURAL BUILDING PLANS FOR LOCATION OF EXIT LIGHTS, EMERGENCY EGRESS LIGHTS AND FIRE EXTINGUISHERS.		

- EXIT SIGN w/ DIRECTIONAL ARROW
- EXIT SIGN
- EXIT SIGN w/ EMERGENCY EGRESS LIGHT
- EMERGENCY EGRESS LIGHT
- FIRE EXTINGUISHER

**Robert Charles Evans**  
 REGISTERED ARCHITECT  
 5410 PEARL STREET, FAYETTEVILLE, NORTH CAROLINA 28303



**CLAYTON BRITT AND SONS, INC.**  
 3703 BRAGG BOULEVARD  
 FAYETTEVILLE, NORTH CAROLINA 28301  
 910.868.8319  
**RICKY BRITT**  
 NC BUILDING LICENSE #35207

**OWNERS:**  
 HATCHER CREEK, LLC  
 126 BRANDON DRIVE  
 LILLINGTON, NC 27546

**LOCATION:**  
 THE GROVE AT 421  
 61 GROVE CIRCLE  
 LILLINGTON, NC 27546

**DATE:**  
 JULY 6th, 2022

**SCALE:**  
 AS SHOWN

**REVISIONS:**

**DRAWN:**  
 J.PARRISH

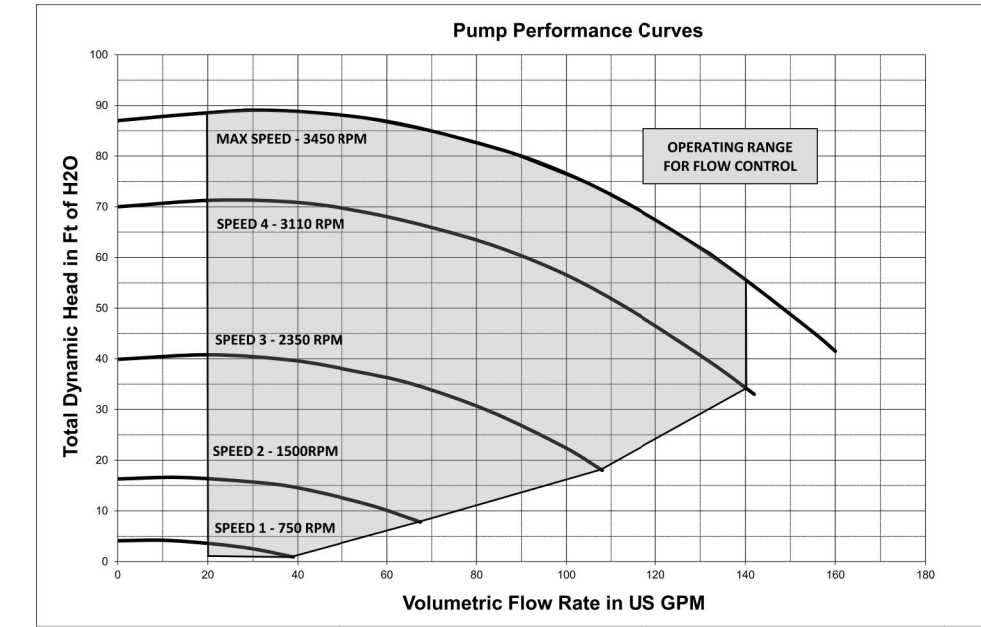
# INTELLIFLO® VSF

## VARIABLE SPEED AND FLOW PUMP



CONSISTENT FLOW CONTROL FOR THE HIGHEST ENERGY SAVINGS AND ULTIMATE SYSTEM PERFORMANCE.

### PERFORMANCE CURVES



The Intelliflo VSF Variable Speed and Flow Pump has earned the Eco Select™ brand distinction as one of the greenest and most efficient choices from Pentair.



The TradeGrade family of products is exclusively made for and sold by the world's most demanding pool professionals.



ENERGY STAR® Certified Intelliflo VSF Pumps from Pentair meet or beat energy efficiency criteria set by the U.S. Environmental Protection Agency and the U.S. Department of Energy. These pumps save money, reduce energy use and protect the environment.



1820 Hawkins Ave | Sanford, NC 27330 | United States | 800.831.7133 | pentair.com

All Indicated Pentair trademarks and logos are property of Pentair. Third party registered and unregistered trademarks and logos are the property of their respective owners.

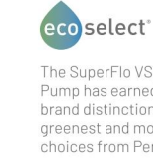
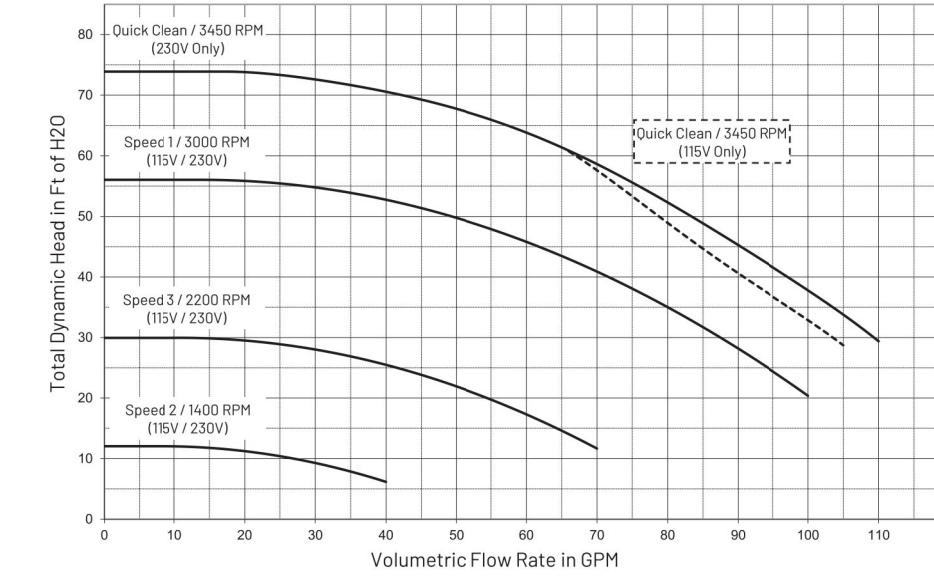
PH-433 1/23 ©2020 Pentair. All Rights Reserved.

# SUPERFLO® VST

## VARIABLE SPEED PUMP



### SuperFlo VST Performance Curves for Preset Speeds



The SuperFlo VST Variable Speed Pump earned the Eco Select™ brand distinction as one of the greenest and most efficient choices from Pentair.



The TradeGrade family of products is exclusively made for and sold by the world's most demanding pool professionals.



ENERGY STAR® Certified SuperFlo VST Variable Speed Pump from Pentair meets strict energy efficiency criteria set by the U.S. Environmental Protection Agency and the U.S. Department of Energy. This pump saves money, reduces energy use and protects the environment.



400 Regency Forest Dr | Cary, NC 27518 | United States | 800.831.7133 | pentair.com

All Indicated Pentair trademarks and logos are property of Pentair. Third party registered and unregistered trademarks and logos are the property of their respective owners.

©2020 Pentair. All rights reserved. Pentair.com PH-305 03/2022

# TRITON® C AND TRITON C-3

## HIGH CAPACITY FIBERGLASS SIDE MOUNT SAND FILTER WITHOUT VALVES

### Featured Highlights

- Maximum Operating Pressure 50 psi
- Full 2 in. Drain
- 8 in. opening for easy access to sand bed
- The Triton C-3 features standard 3 in. flange connections
- TR 100C-3 & TR 140C-3 models are available in black only



### TRADEGRADE

This filter series features multiple diverters for increased filtration rates in commercial applications up to 20 GPM/sq. ft.

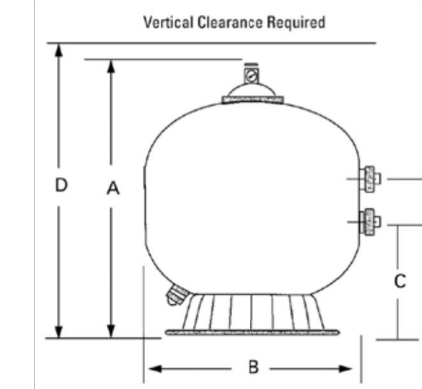
CALIFORNIA PROPOSITION 65 WARNING  
 WARNING: Cancer and Reproductive Harm.  
 Avertissement: Peut Causer le Cancer et des Dommages au Système Reproducteur.  
 ADVERTENCIA: Cáncer y Daño Reproductor.  
 www.p65warnings.ca.gov

### Ordering Information

Product	Model	Effective Filtration Area (Sq. Ft.)	Flow Rate	Turnover Capacity (In Gal.) <sup>1</sup>			Filter Media			Ctn Qty.	Ctn Wt. (Lbs.)
				8 Hour	10 Hour	15 Hour	Pea Gravel Req'd (Lbs.)	Sand Req'd (Lbs.)	All Sand Req'd (Lbs.)		
<b>TRITON C SAND FILTERS</b>											
140315	TR 100C-3 Almond	4.91	98	35,280	47,040	58,800	150	450	600	1	70
140316	TR 140C-3 Almond	7.06	141	50,760	67,680	84,600	275	650	925	1	82
<b>TRITON C-3 SAND FILTERS</b>											
140310	TR 100C-3 Black only	4.91	98	35,280	47,040	58,800	150	450	600	1	65
140342	TR 140C-3 Black only	7.06	141	50,760	67,680	84,600	275	650	925	1	82
<b>TRITON C VALVE OPTIONS<sup>1</sup></b>											
261050	2 in. HiFlow w/ plumbing, for sand filters									1	11
261055	2 in. MPV, for sand filters (SM 20-3)									1	10
263010	Full-Flow valve, sand filters (will only work on the TR100C and TR140C models)									1	7
263080	FullFloX® Valve for Sand, inlet port on top, Pentair 2 in. unions glued on XF Valve										

<sup>1</sup> Valves must be purchased separately.

<sup>2</sup> Based on 20 gpm per sq. ft. Tanks are NSF approved for 5-20 gpm/sq. ft.



MODEL	DIMENSION TABLE				
	A DIM.	B DIM.	C DIM.	D DIM.	E DIM.
TR 100 C	39 1/4 in.	30 1/4 in.	18 1/4 in.	43 1/4 in.	7 1/4 in.
TR 140 C	48 1/4 in.	38 1/4 in.	18 1/4 in.	43 1/4 in.	7 1/4 in.
TR 100 C-3	39 1/4 in.	30 1/4 in.	18 1/4 in.	43 1/4 in.	7 1/4 in.
TR 140 C-3	48 1/4 in.	38 1/4 in.	18 1/4 in.	43 1/4 in.	7 1/4 in.

Dimensions and Performance  
**Certified to NSF/ANSI Standard 50**

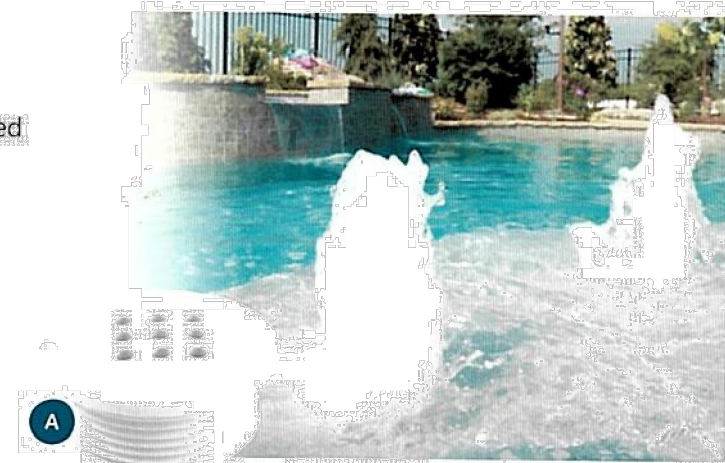
See pages 415-416 for replacement parts. 93

# NATURAL WONDERS™ GUNITE FOUNTAINS

Natural Wonders Gunite Pool Fountains are a great way to add natural beauty to your pool install. Simply adjust the flow with a CMP ball valve to achieve the perfect look. Add an air blower for increased power. These fountains install simply with standard size fittings. Add a fresh new dimension to beach entries, spas, sun shelves, tanning ledges, and landscape features.

### FLUSH BUBBLER FOUNTAIN

- Installs Flush with Pool Floor; No Exposed Components Above the Waterline
- Featured on *Extreme Home Makeover*
- Available in Four Color Options
- 1-1/2" MIP
- Holes have an area of .68" in total; 6.15" in open hole area



### 3-TIER POOL FOUNTAIN

- Includes 3/4" FIP Fountain Head
- Eyeball Fitting 1-1/2" MIP
- Threaded Adapter 3/4" FIP



### ORDERING GUIDE

NATURAL WONDERS™ BUBBLER			
REF	CMP P/N	DESCRIPTION	BOX QTY
A	25503-000-000	WHITE POOL BUBBLER	400
A	25503-001-000	GRAY POOL BUBBLER	400
A	25503-009-000	TAN POOL BUBBLER	400
A	25503-004-000	BLACK POOL BUBBLER	400
NATURAL WONDERS™ 3-TIER POOL FOUNTAIN			
B	25565-009-000	CLEAR 3-TIER POOL FOUNTAIN	100

800.733.9060 | WWW.C-M-P.COM

WATER FEATURES | ACCENT ACCESSORIES

47

# PRE-PLUMBED VALVES

## BACKWASH VALVES FOR 1-1/2 & 2 IN. D.E. AND SAND FILTERS

Side mounted HiFlow™ and Multiport Valves are designed for maximum performance and working pressures. Available in 1-1/2 and 2 in. threaded or slip models.

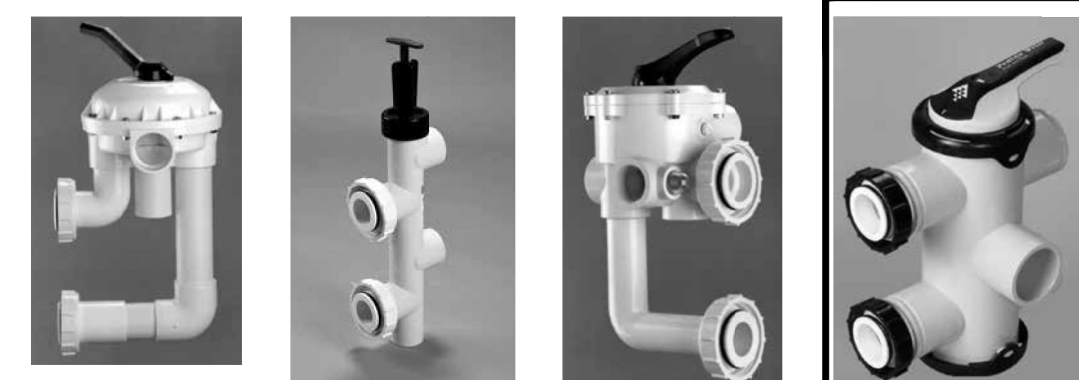
### Featured Highlights

- PVC body
- The right valve for easy operation
- Six-position, positive-lock operation
- Special winterizing position

CALIFORNIA PROPOSITION 65 WARNING  
 WARNING: Cancer and Reproductive Harm.  
 Avertissement: Peut Causer le Cancer et des Dommages au Système Reproducteur.  
 ADVERTENCIA: Cáncer y Daño Reproductor.  
 www.p65warnings.ca.gov

### Ordering Information

Product	Description	Carton Qty.	Carton Wt. (Lbs.)
<b>MULTI-PORT VALVE KIT FOR FILTERS, SLIP</b>			
261055	2 in. MPV, for Triton & Quad D.E. filters (SM 20-3) 7-1/2 in. Centerline	1	10
261152	2 in. MPV, for FNS, FNS Plus & NSP filters (SM 20-2) 7-1/2 in. Centerline	1	10
261173	1-1/2 in. MPV, for Triton & Quad D.E. filters (SM 10-3) 7-1/2 in. Centerline	1	6
261177	1-1/2 in. MPV, for FNS, FNS Plus & NSP filters (SM 10-2) 7-1/2 in. Centerline	1	7
<b>HI-FLOW VALVE KIT FOR FILTERS, SLIP</b>			
261050	2 in. w/ bulkhead fittings, for Triton & Quad D.E. filters, 7-1/2 in. Centerline	1	11
261142	2 in. w/ bulkhead fittings, for FNS, FNS Plus & NSP filters, 7-1/2 in. Centerline	1	11
<b>PVC SLIDE VALVE, SLIP</b>			
263064	Push Pull Valve, 7-1/2 in. Center, PVC, Almond	1	4.5
263079	2 in. w/o bulkhead fittings for D.E. and sand filters, 7-1/2 in. Centerline	1	3
<b>FULLFLOX® BACKWASH VALVES</b>			
262507	Sta-Rite version for System 3 Mod D.E., inlet on top, with Sta-Rite offset adapters glued on	1	11
262508	Sta-Rite version for System 3 D.E. and Sand, inlet on bottom, with Sta-Rite offset adapters glued on	1	10
262509	Valve with filter inlet port on top, no fittings, only valve	1	10
262511	Valve with filter inlet port on bottom, no fittings, only valve	1	10
263080	Valve for Sand and Quad D.E., inlet port on top, Pentair 2 in. unions glued on	1	12
263081	Valve for D.E., inlet port on bottom, Pentair 2 in. unions glued on	1	12



HiFlow Valve Kit 261050  
 PVC Slide Valve Kit 263064  
 Multiport Valve Kit 261055  
 FullFloX® Backwash Valve Kit 263080

See page 572, 574-576 and 580-581 for replacement parts.

278

# PERISTALTIC PUMPS & DIGITAL CONTROLLERS

### THE PRO SERIES 300 PERISTALTIC PUMPS FEATURE:

- New commercial design
- Fully digital timer
- Refined dosing increments— for more precise control
- New, more versatile mounting options
- Other features include: quick-release cover for fast tubing access, three-way switch controls timer/off/continuous, self-priming pump and clear Tygon and Black Norpene Squeeze Tubes
- The Pro Series 300 retains a 30psi rating and versatile 18-ft. suction lift.
- Pumps operate on 9-minute cycles and are available in 120V or 240V corded or permanent wire configurations with maximum amps—2.5

SEE ROLA-CHEM.COM FOR THE COMPLETE LIST OF PRO SERIES 300 MODELS

### GENERATION II DIGITAL CONTROLLERS



MODEL SHOWN: RC554XP  
 Digital pH/ORP Controller  
 P/N 554000  
 UPC 7-5706 00136-6

	pH	ORP	Feed Cycle
Factory Setting	7.4	650 mV	.6 Seconds
Display Range	6.8–8.2	0–995 mV	
Setpoint Range	7.0–8.0	400–900 mV	

Feed Cycles	.6 to 900 seconds w/ 5-minute analysis periods		
Power	120V corded (input/output)		
Feed	Timed or Continuous		
Maximum Output	5 Amps		

INCLUDES: Controller, flow cell with flow switch, probes, 3/8" tubing and fittings.

ALL ROLA-CHEM CONTROLLERS ARE NSF ANSI CERTIFIED

### Digital pH/ORP Controllers Feature:

- Digital readouts
- ORP technology
- Redox sensor
- Dip switch programmable settings
- Timed or continuous feed settings
- Built-in out-of-range safety timeouts
- pH calibration
- Acid or base feed
- Microprocessor logic
- Globe flow cell with flow switch
- Compatible with most peristaltic pumps
- Can also be used with erosion feeder/solenoid applications

MANUFACTURED IN THE USA

5-YEAR LIMITED WARRANTY ON CONTROLLER ELECTRONICS 1-YEAR LIMITED WARRANTY ON PROBES, FLOW CELL AND VALVE.  
 NOTE: It is recommended that an in-line filter system (part number 350591) be used before the flow cell.  
 MET controllers are also available.

5858 Centerville Rd • St. Paul, MN 55127 | Local: 651-653-5031 • Fax: 651-653-0989 | info@Rola-Chem.com

4

Robert Charles Evans  
 2804 HAYWARD ROAD, SUITE 102, FAYETTEVILLE, NORTH CAROLINA

CLAYTON BRITT AND SONS, INC.  
 3703 BRAGG BOULEVARD  
 FAYETTEVILLE, NORTH CAROLINA 28301  
 910.868.8319  
 RICKY BRITT  
 NC BUILDING LICENSE #365207

OWNERS: HATCHER CREEK LLC.  
 126 BRANDON DRIVE  
 LILLINGTON, NC 27546  
 LOCATION: THE GROVE AT 421  
 61 GROVE CIRCLE  
 LILLINGTON, NC 27546  
 DRAWN: J.PARRISH  
 SCALE: AS SHOWN  
 DATE: JUNE 25TH 2022

SHEET NO:

A6

PERISTALTIC PUMPS

**NEW! THE PRO SERIES 300 PERISTALTIC PUMPS**

The **NEW PRO Series 300 Peristaltic Pumps** maintain the best of the Rola-Chem Pro Series legacy\* while improving primary function and simplifying set up.



**MODEL SHOWN: RC301MC**  
P/N 543818  
UPC 7-57706 00058-3

Three-Roller Operation



**MODEL SHOWN: RC301MC**  
P/N 543807  
UPC 7-57706 00027-7

Two-Roller Operation (1) GPD Pump Only

**ESTIMATED FEED RATES**

SETTING %	ON TIME	OFF TIME	RC101	RC103	RC305	RC307
1	5.4 SEC	8.9 MIN	—	0.12	0.38	0.77
2	10.8 SEC	8.8 MIN	0.02	0.24	0.76	1.54
3	16.2 SEC	8.7 MIN	0.03	0.36	1.14	2.31
4	21.6 SEC	8.6 MIN	0.04	0.48	1.52	3.08
5	27.0 SEC	8.5 MIN	0.05	0.60	1.90	3.85
6	32.4 SEC	8.5 MIN	0.05	0.72	2.28	4.62
7	37.8 SEC	8.4 MIN	0.06	0.84	2.66	5.39
8	43.2 SEC	8.3 MIN	0.07	0.96	3.04	6.16
9	48.6 SEC	8.2 MIN	0.08	1.08	3.42	6.93
10	54.0 SEC	8.1 MIN	0.09	1.20	3.80	7.70
15	1.4 MIN	7.7 MIN	0.14	1.80	5.70	11.55
20	1.8 MIN	7.2 MIN	0.18	2.40	7.60	15.40
25	2.3 MIN	6.8 MIN	0.23	3.00	9.50	19.25
30	2.7 MIN	6.3 MIN	0.27	3.60	11.40	23.10
35	3.2 MIN	5.9 MIN	0.32	4.20	13.30	26.95
40	3.6 MIN	5.4 MIN	0.36	4.80	15.20	30.80
45	4.1 MIN	5.0 MIN	0.41	5.40	17.10	34.65
50	4.5 MIN	4.5 MIN	0.45	6.00	19.00	38.50
55	5.0 MIN	4.1 MIN	0.50	6.60	20.90	42.35
60	5.4 MIN	3.6 MIN	0.54	7.20	22.80	46.20
65	5.9 MIN	3.2 MIN	0.59	7.80	24.70	50.05
70	6.3 MIN	2.7 MIN	0.63	8.40	26.60	53.90
75	6.8 MIN	2.3 MIN	0.68	9.00	28.50	57.75
80	7.2 MIN	1.8 MIN	0.72	9.60	30.40	61.60
85	7.7 MIN	1.4 MIN	0.77	10.20	32.30	65.45
90	8.1 MIN	1.0 MIN	0.81	10.80	34.20	69.30
95	8.6 MIN	0.6 MIN	0.86	11.40	36.10	73.15
99	8.9 MIN	0.4 SEC	0.89	11.88	37.62	76.23
On	CONTINUOUS		0.90	12.00	38.00	77.0

ALL ROLA-CHEM PUMPS ARE NSF LISTED

**ROLA-CHEM PRO SERIES OUTPUT**

PRO SERIES 300 MODEL	LEGACY SERIES MODEL	MINIMUM FEED RATE/24HR	MAXIMUM FEED RATE/24HR	RECOMMENDED VOLUME OF SPA WATER TO BE TREATED (GALLONS)*	RECOMMENDED VOLUME OF POOL WATER TO BE TREATED (GALLONS)*	MAX. VOLUME OF WATER TO BE TREATED (GALLONS) - PER CALIFORNIA BUILDING CODE TITLE 24
RC-301	RC-252 SC	01 GPD	9 GPD	500-2,500	2,500-5,000	3,000
RC-303	RC-2523 SC	12 GPD	12 GPD	2,500-25,000	5,000-65,000	40,000
RC-305	RC-103 SC	38 GPD	38 GPD	—	65,000-200,000	127,000
RC-307	RC-503 SC	75 GPD	77 GPD	—	180,000-400,000	257,000

GPD = GALLONS PER DAY \*USING 12.5% LIQUID CHLORINE

9" SQUARE MOFLOW™ SUCTION OUTLET COVER AND MUD FRAME



VGBA CERTIFIED SPECIFICATION

Open Area 36.8 in<sup>2</sup>

For SOFA Specific Flow Ratings and specifications please scan QR code or visit [www.aquastarpoolproducts.com/flowcode](http://www.aquastarpoolproducts.com/flowcode)

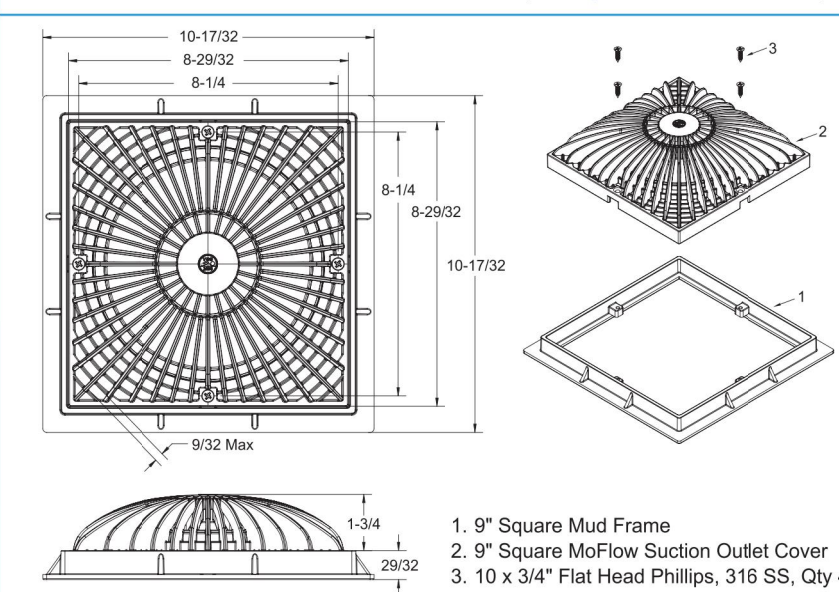
FEATURES

All components meet or exceed APSP/ANSI ICC-16 2017 and NSF/ANSI 50-2009a national standards and ASTM G154 UV testing exposure. Easily and safely retrofits to 9" square 1" deep frames. Manufactured from superior UV-resistant engineered polymers. #316 stainless steel screws. Trademarked VGBA compliance button easily identifies VGBA 2017 compliant cover from on deck and underwater. Online product support including downloadable CAD files, General Certificate of Conformity, third-party certificate, installation instructions and more. Replace drain cover every five years from the date of installation. See next page for additional product configurations. 8 per case.



Part # 9MFxxx

Fits AquaStar 9" standard models and American (Pentair) with 1" deep existing frames and four screw hole patterns.



STANDARD COLORS  
 9MF101 - White  
 9MF102 - Black  
 9MF103 - Light Gray  
 9MF105 - Dark Gray  
 9MF108 - Tan

VGBA 2017 Compliant

P 877-768-2717 F 877-276-POOL Outside the US: P +1-949-336-1940 F +1-949-336-1940  
 info@aquastarpoolproducts.com www.aquastarpoolproducts.com

12" SQUARE MOFLOW™ SUCTION OUTLET COVER AND MUD FRAME



VGBA CERTIFIED SPECIFICATION

Open Area 71.2 in<sup>2</sup>

For SOFA Specific Flow Ratings and specifications please scan QR code or visit [www.aquastarpoolproducts.com/flowcode](http://www.aquastarpoolproducts.com/flowcode)

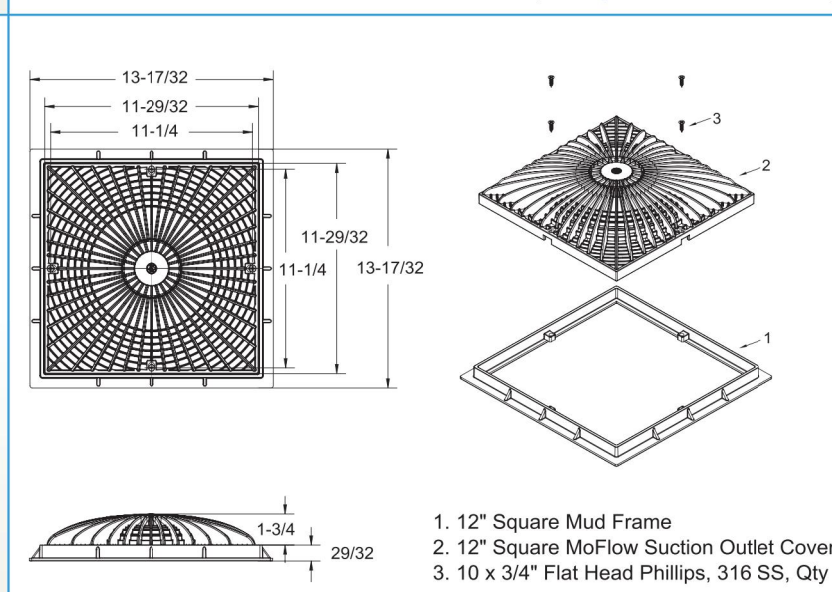
FEATURES

All components meet or exceed APSP/ANSI ICC-16 2017 and NSF/ANSI 50-2009a national standards and ASTM G154 UV testing exposure. Easily and safely retrofits to 12" square 1" deep frames. #316 stainless steel screws. Manufactured from superior UV-resistant engineered polymers. Trademarked VGBA compliance button easily identifies VGBA 2017 compliant cover from on deck and underwater. Online product support including downloadable CAD files, General Certificate of Conformity, third-party certificate, installation instructions and more. Replace drain cover every five years from the date of installation. See next page for additional product configurations. 8 per case.



Part # 12MFxxx

Fits AquaStar standard 12" models and American (Pentair) with 1" deep existing frames and four screw hole patterns.



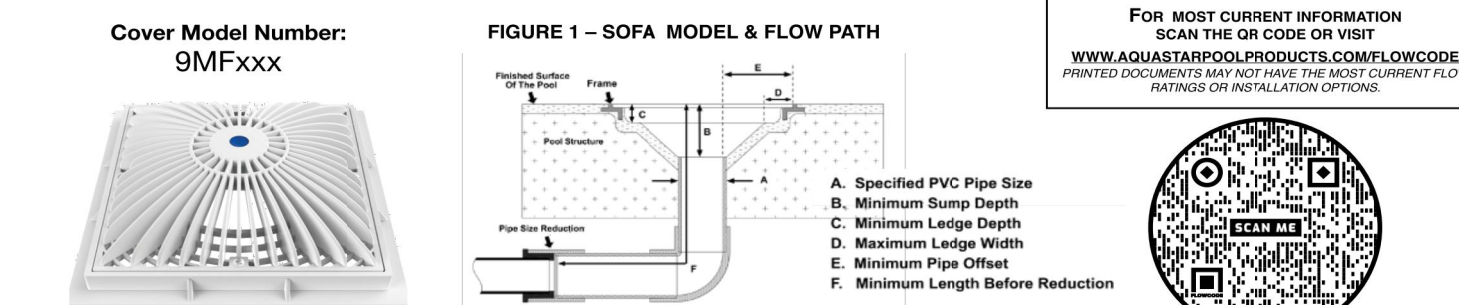
STANDARD COLORS  
 12MF101 - White  
 12MF102 - Black  
 12MF103 - Light Gray  
 12MF105 - Dark Gray  
 12MF108 - Tan

VGBA 2017 Compliant

P 877-768-2717 F 877-276-POOL Outside the US: P +1-949-336-1940 F +1-949-336-1940  
 info@aquastarpoolproducts.com www.aquastarpoolproducts.com

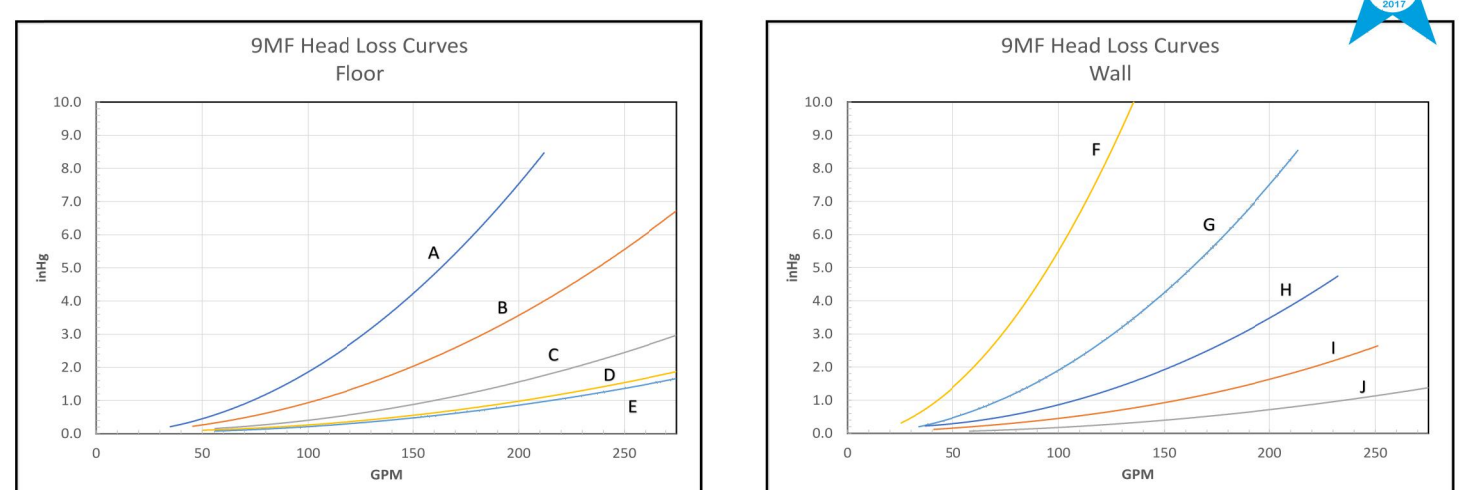
VGBA-2017 PRODUCT SPECIFICATIONS  
 Suction Outlet Fitting Assembly (SOFA)  
 VGBA-2017 Flow Ratings, Sump Dimensions, Sump Flow Path Zone, and Head Loss Curves

**DIRECTIONS:** Please follow the SOFA specific flow rates, sump specifications, and flow path zone information below. The installation must conform to these minimum/maximum requirements including the SOFA dimension defined in Figure 1. The flow path zone is defined by dimensions A through E. The installed sump may be manufactured or field-built and it may be larger/deeper than Figure 1. Please write the Cover Model Number, orientation, and SOFA Model Flow Rating on the VGBA DRAIN COVER IDENTIFICATION INFORMATION label that comes with each AquaStar Pool Products, Inc. drain cover.



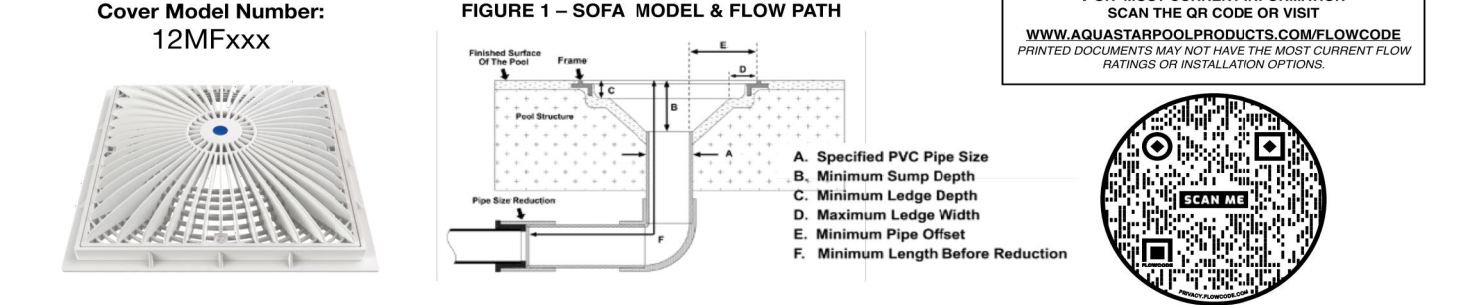
SOFA Model No.	Pipe Size (Nominal)	Pipe Depth (Minimum)	Orientation (Wall / Floor)	Flow Rating (GPM)	Head Loss Curve
9MF-9f_A-2b_B3_C1.6_D0.5_E2.8_F16	2" (b)	3"	Floor (f)	170	A
9MF-9f_A-2.5b_B3_C1.6_D0.5_E2.6_F16	2.5" (b)	3"	Floor (f)	186	B
9MF-9f_A-3b_B3_C1.6_D0.5_E2.5_F16	3" (b)	3"	Floor (f)	275	C
9MF-9f_A-4s_B5.6_C1.6_D0.5_E1.7_F16	4" (s)	5.6"	Floor (f)	258	D
9MF-9f_A-4b_B9.8_C1.6_D0.5_E1.8_F16	4" (b)	9.8"	Floor (f)	275	E
9MF-9w_A-1.5b_B3_C1.6_D0.5_E2.8_F16	1.5" (b)	3"	Wall (w)	126	F
9MF-9w_A-2b_B3_C1.6_D0.5_E2.8_F16	2" (b)	3"	Wall (w)	170	G
9MF-9w_A-2.5b_B3_C1.6_D0.5_E2.6_F16	2.5" (b)	3"	Wall (w)	186	H
9MF-9w_A-3b_B3_C1.6_D0.5_E2.5_F16	3" (b)	3"	Wall (w)	200	I
9MF-9w_A-4b_B9.8_C1.6_D0.5_E1.8_F16	4" (b)	9.8"	Wall (w)	275	J

Note 1: "SOFA Model No" nomenclature; bottom pipe = (b), side pipe = (s). See Fig 1 for capital letters A through E  
 Note 2: Head loss inHg is measured 16 to 24 inches from the finish surface of the pool. Reference Fig 1 dimension F.



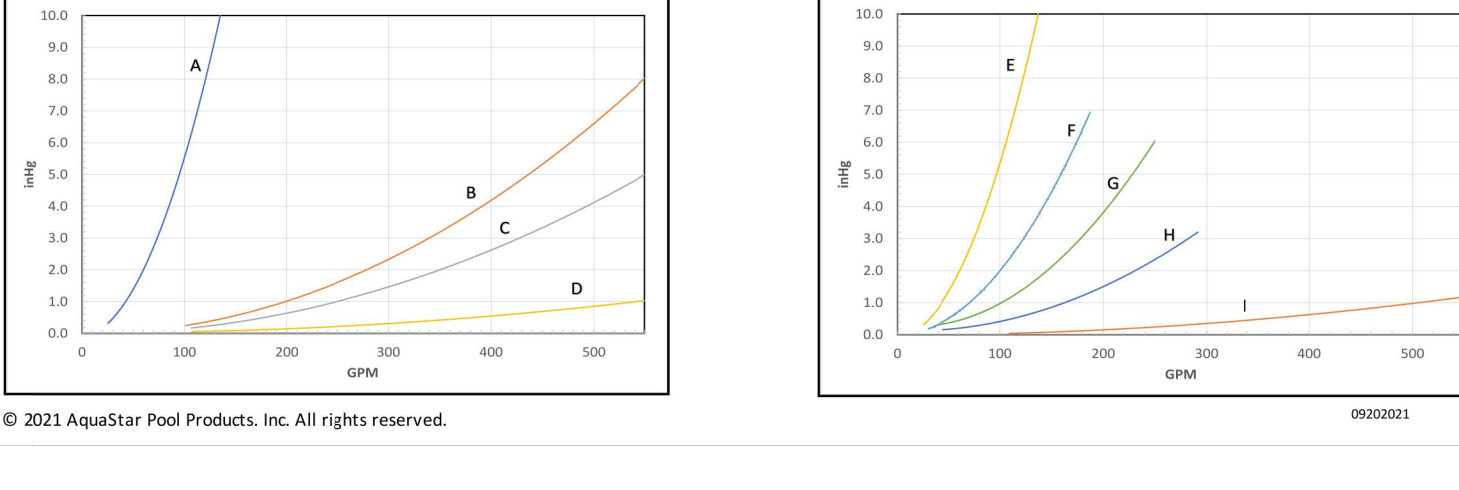
VGBA-2017 PRODUCT SPECIFICATIONS  
 Suction Outlet Fitting Assembly (SOFA)  
 VGBA-2017 Flow Ratings, Sump Dimensions, Sump Flow Path Zone, and Head Loss Curves

**DIRECTIONS:** Please follow the SOFA specific flow rates, sump specifications, and flow path zone information below. The installation must conform to these minimum/maximum requirements including the SOFA dimension defined in Figure 1. The flow path zone is defined by dimensions A through E. The installed sump may be manufactured or field-built and it may be larger/deeper than Figure 1. Please write the Cover Model Number, orientation, and SOFA Model Flow Rating on the VGBA DRAIN COVER IDENTIFICATION INFORMATION label that comes with each AquaStar Pool Products, Inc. drain cover.



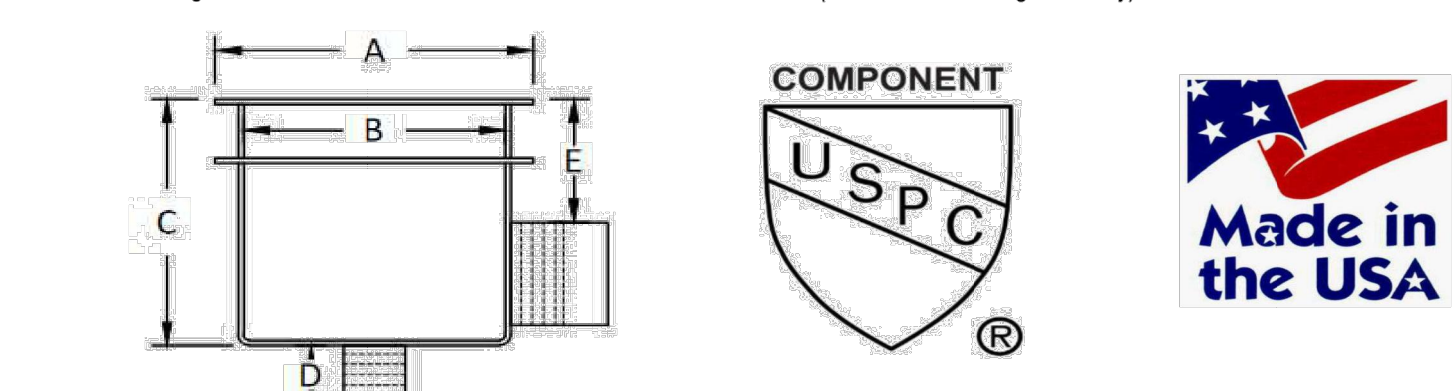
SOFA Model No.	Pipe Size (Nominal)	Pipe Depth (Minimum)	Orientation (Wall / Floor)	Flow Rating (GPM)	Head Loss Curve
12MF-12f_A-1.5b_B3_C0.3_D0.7_E3.5_F16	1.5" (b)	3"	Floor (f)	126	A
12MF-12f_A-4s_B6_C0.3_D0.7_E3_F16	4" (s)	6"	Floor (f)	500	B
12MF-12f_A-4s_2.5b_B6_C0.3_D0.7_E3_F16	4" (s), 2.5" (b)	6"	Floor (f)	540	C
12MF-12f_A-6b_B10.5_C0.3_D0.7_E3_F16	6" (b)	10.5"	Floor (f)	540	D
12MF-12w_A-1.5b_B3_C0.3_D0.7_E3.5_F16	1.5" (b)	3"	Wall (w)	126	E
12MF-12w_A-2b_B3_C0.3_D0.7_E3.5_F16	2" (b)	3"	Wall (w)	150	F
12MF-12w_A-2.5b_B3_C0.3_D0.7_E4.7_F16	2.5" (b)	3"	Wall (w)	200	G
12MF-12w_A-3b_B3_C0.3_D0.7_E4_F16	3" (b)	3"	Wall (w)	230	H
12MF-12w_A-6b_B10.5_C0.3_D0.7_E3_F16	6" (b)	10.5"	Wall (w)	540	I

Note 1: "SOFA Model No" nomenclature; bottom pipe = (b), side pipe = (s). See Fig 1 for capital letters A through E  
 Note 2: Head loss inHg is measured 16 to 24 inches from the finish surface of the pool. Reference Fig 1 dimension F.



Fiberglass Field Built Sumps

- Premium fiberglass & resin for maximum structural strength
- Durable smooth gelcoat interior & pebble pipe
- Exterior perimeter FRP waterstop flange
- Non-Metallic- No grounding
- Rough sand exterior finish
- Custom configurations fabricated
- 2" Bottom flt x flt for hydro relief valve
- Threaded PVC SCH 40 pressure test plug for outlet (up to 8")
- All PVC connections are ASTM 2486 compliant
- Designed to ANSI/APSP/ICC-16 2017 for use only with noted SOFA (Suction Outlet Fitting Assembly) Covers



Size (inches)	ASA Part #	A	B	C	D	E	SCH40 Outlet fpt x soc	SOFA List
9 x 9 x 9	FBS-50-809-3	11"	9"	12"	4.5"	6.5"	3"	A
12 x 12 x 12	FBS-50-812-4	14"	12"	12"	4.5"	6.5"	4"	B1
12 x 12 x 18	FBS-50-812-18-6	14"	12"	18"	4.5"	10"	6"	B2
18 x 18 x 20	FBS-50-818-6	20"	18"	20"	4.5"	10"	6"	C
18 x 18 x 24	FBS-50-818-24-8	20"	18"	24"	4.5"	13.5"	8"	D
24 x 24 x 30	FBS-50-824-30-10	26"	24"	30"	4.5"	17"	10" soc x soc	E

List A	List B1	List B2	List C	List D	List E
Aquastar 9MFXXX	Aquastar 12MFXXX	Aquastar 18MFXXX	Aquastar 24XXX	Aquastar 18MFXXX	Aquastar 24XXX
Waterway 640-478XV	Waterway 640-472XV	Waterway 640-472XV	Waterway 640-477XV	Waterway 640-477XV	Waterway 640-476XV
Hayward WG1031HF	Hayward WG1032HF	Hayward 1216XXX	Hayward SUN18PHXXX	Hayward SUN18PHXXX	Hayward SUN18PHXXX

Notes: SOFA = Suction Outlet Fitting Assembly  
 Compatible based on manufacturer's specifications at the time of publication. Subject to change. See Manufacturer's website for updates.

Robert Charles Evans  
 2804 HARRISON ROAD, SUITE 102, FAYETTEVILLE, NORTH CAROLINA

CLAYTON BRITT AND SONS, INC.  
 3703 BRAGG BOULEVARD  
 FAYETTEVILLE, NORTH CAROLINA 28301  
 910.868.8319  
 RICKY BRITT  
 NC BUILDING LICENSE #36507

Spa and Pool World  
 by Clayton Britt & Sons

LOCATION: THE GROVE AT 421  
 61 GROVE CIRCLE  
 LILLINGTON, NC 27546  
 OWNERS: HATCHER CREEK LLC.  
 126 BRANDON DRIVE  
 LILLINGTON, NC 27546  
 DRAWN: J.PARRISH  
 SCALE: AS SHOWN  
 DATE: JUNE 25TH 2022



WHEN ACCURACY IS CRITICAL, DON'T JUST TAKE OUR WORD FOR IT!

FlowVis® was the first - and is now the most - NSF 50 certified flow meter in the world! Because when accuracy matters, you should put your trust in the experts.



NSF 50 CERTIFIED L1

**FLOWVIS® MODELS**

Feature	FV-15	FV-15-U	FV-2	FV-2-U	FV-2.5	FV-3	FV-3-40	FV-4	FV-6	FV-8
NSF 50 Certified	✓	✓	✓	✓	✓	✓	✓	✓	✓	✓
Pipe Size	1.5"	1.5"	2"	2"	2.5"	3"	3"	4"	6"	8"
Operating Range (GPM)	10-80	10-90	10-110	10-110	10-110	70-240	70-240	150-460	300-1000	600-1800
Average Accuracy	98.7%	98.7%	99.4%	99.0%	99.2%	98.9%	99.2%	99.6%	98.1%	N/A
NSF 50 Level	L1	L1	L1	L1	L1	L1	L1	L1	L1	L1

\*FlowVis® model FV-8 is available only with FlowVis® Digital upgrade included. For accuracy of this model, refer to the FV-8 information in the FlowVis Digital table below.

**FLOWVIS® DIGITAL MODELS**

Feature	FV-15	FV-15-U	FV-2	FV-2-U	FV-2.5	FV-3	FV-3-40	FV-4	FV-6	FV-8
NSF 50 Certified	✓	✓	✓	✓	✓	✓	✓	✓	✓	✓
Pipe Size	1.5"	1.5"	2"	2"	2.5"	3"	3"	4"	6"	8"
Operating Range (GPM)	10-80	10-90	10-110	10-110	10-110	70-240	70-240	150-460	300-1000	600-1800
Average Accuracy	98.6%	99.0%	98.8%	98.5%	98.3%	98.4%	98.0%	98.3%	98.9%	98.9%
NSF 50 Level	L1	L1	L1	L1	L1	L1	L1	L2	L1	L1

**NOTE:** FlowVis is the only NSF 50 certified Level 1 flow meter in the world today

**Guide for NSF 50 Accuracy Levels**

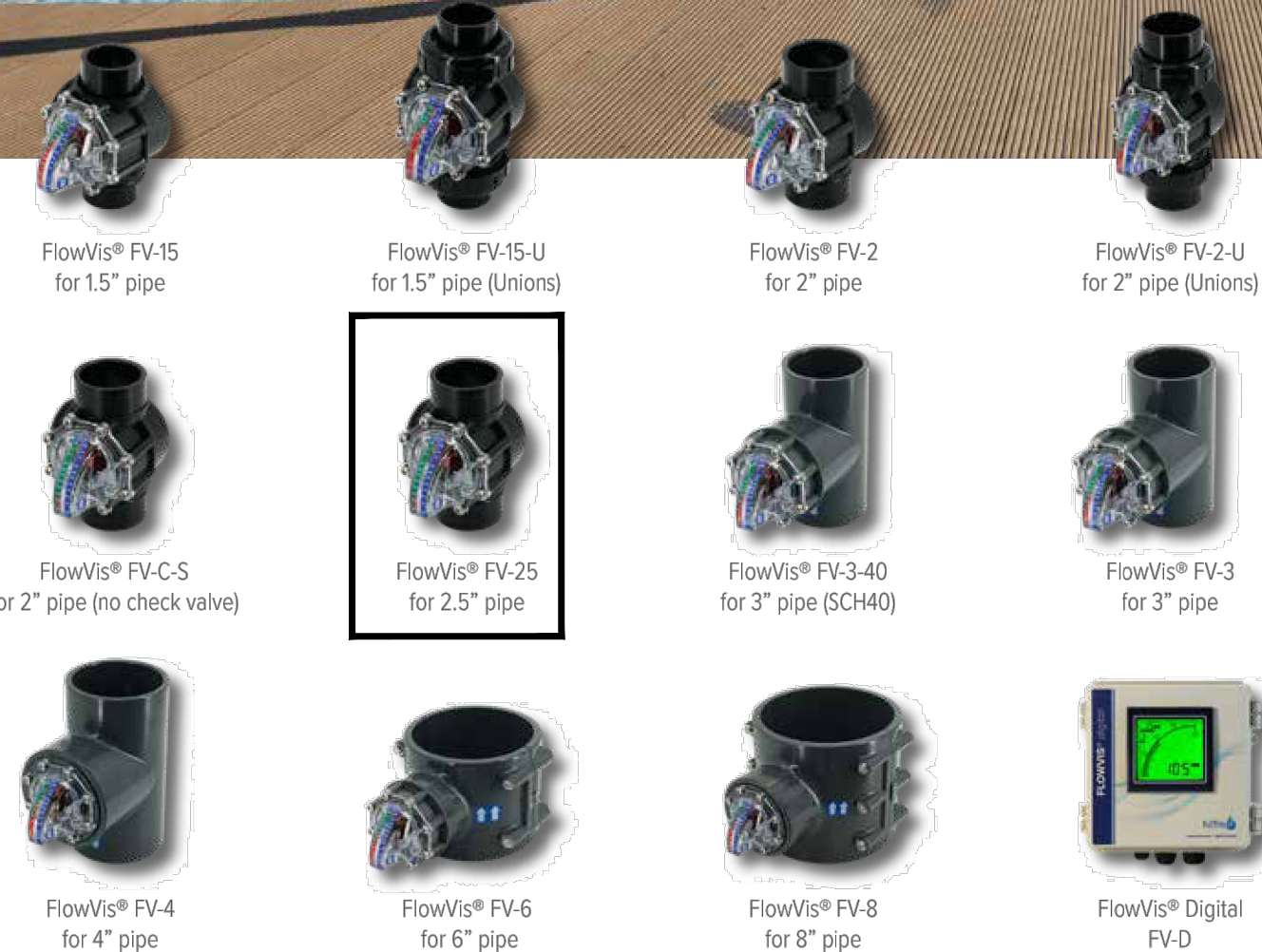
- Level 1 (L1):** Average of absolute values of all single point deviations must be ≤2%. Single point deviations shall not exceed ±4%.
- Level 2 (L2):** Average of absolute values of all single point deviations must be ≤5%. Single point deviations shall not exceed ±7.5%.
- Level 3 (L3):** Average of absolute values of all single point deviations must be ≤10%. Single point deviations shall not exceed ±12.5%.
- Level 4 (L4):** Average of absolute values of all single point deviations must be ≤12.5%. Single point deviations shall not exceed ±15%.
- Level 5 (L5):** Average of absolute values of all single point deviations must be ≤15%. Single point deviations shall not exceed ±20%.

**AN AWARD-WINNING DESIGN**

In 2021, FlowVis® was named to *Pool & Spa News* Top 50 Products, an award given annually to the pool industry's most innovative products. This is the third time that FlowVis has received this honor.



Scan to learn more about FlowVis® flow meters



**Materials of Construction**

F-300

**Wetted Components:**

<b>Meter Body</b>	Acrylic
<b>Float</b>	PVDF
<b>Gasket</b>	Neoprene
<b>Pipe Clamp</b>	316ss

**Output Specifications**

Models for Mounting on Horizontal Pipe  
Models for U.S. IPS Sch40 & 80 Pipe (ASTM 1785)

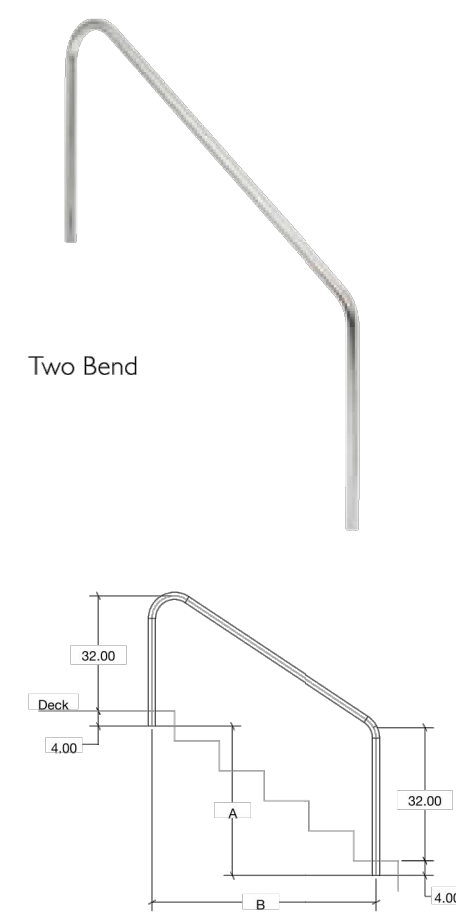
Model	Pipe size	Sch40	Sch80
F-30100P	1"	5 to 35	4 to 26
F-30125P	1-1/4"	9 to 50	8 to 40
F-30150P	1-1/2"	10 to 70	10 to 60
F-30200P	2"	20 to 120	18 to 100
F-30250P	2-1/2"	29 to 150	25 to 130
F-30300P	3"	45 to 240	40 to 215
F-30400P	4"	75 to 420	70 to 400
F-30600P	6"	170 to 1100	160 to 1000
F-30800P	8"	300 to 2200	275 to 1950

Models for Mounting on Vertical Pipe  
Models for U.S. IPS Sch40 & 80 Pipe (ASTM 1785)

Model	Pipe size	Sch40	Sch80	Flow direction
U-30150P	1-1/2"	10 to 60	10 to 50	UP
D-30150P	1-1/2"	10 to 60	10 to 50	DOWN
U-30200P	2"	20 to 110	20 to 100	UP
D-30200P	2"	20 to 110	20 to 100	DOWN

**ladders + rails**

**Stair Rails – 2-Bend**



- Tubing: 1.90" OD
- Wall Thickness: .049" or .065"
- Stainless Steel: 304 or 316L Marine Grade\*\* (add -MG to part number)
- Bends: 6" Radius
- Options: Powder-coating and SealedSteel Salt Friendly available
- Recommended anchors: AS-100B (order separately)
- Recommended escutcheon: EP-100F (order separately)
- \* Minimum rail thickness is .065 for Commercial
- \*\* Minimum requirement for salt pools is 316L Marine Grade

Model No.	Description	A	B	Shipping		
				Weight	Length	Width
2HR-4	4' 2-BEND	26"	4'-0"	10-20 lbs	70"	37"
				4-10kg	178cm	94cm
2HR-5	5' 2-BEND	36"	5'-0"	12-25 lbs	82"	37"
				5-11kg	208cm	94cm
2HR-6	6' 2-BEND	46"	6'-0"	13-32 lbs	97"	37"
				6-14kg	246cm	94cm

**Notes:**  
 \* Add .049 to the part number for .049" wall. Add .065 to the part number for .065" wall.  
 • Extended Length: Add -1 to the part number for 12" extended length on pool (front) leg. Add -2 to the part number for 12" extended length on both legs. Add -3 to the part number for 12" extended length to deck leg.



**ladders + rails**

**Figure 4 – Residential**



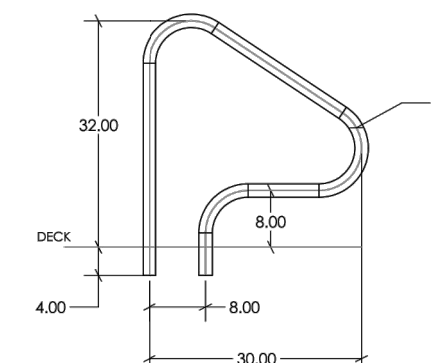
- Tubing: 1.90" OD
- Wall Thickness: .049", .065"
- Stainless Steel: 304 or 316L Marine Grade\* (add -MG to part number)
- Bends: 6" Radius
- Options: Powder-coating and SealedSteel Salt Friendly available
- Recommended Anchors: AS-100B-S5
- Recommended Escutcheons: EP-100F (order separately)
- Sold as pairs, unless otherwise noted
- \* Minimum requirement for salt pools is 316L Marine Grade

Figure 4 (1.90" OD)

Model No.	Description	Shipping		
		Weight	Length	Width
F4H-100	30" Figure 4, .065" wall, pair	24 lbs	39"	32"
		11kg	99cm	81cm
F4H-101	30" Figure 4, .049" wall, pair	19 lbs	39"	32"
		9kg	99cm	81cm
F4H-102	26" Figure 4, .049" wall, pair	18 lbs	39"	32"
		8kg	99cm	81cm
F4H-102S	26" Figure 4, .049" wall, single	12 lbs	39"	32"
		5kg	99cm	81cm

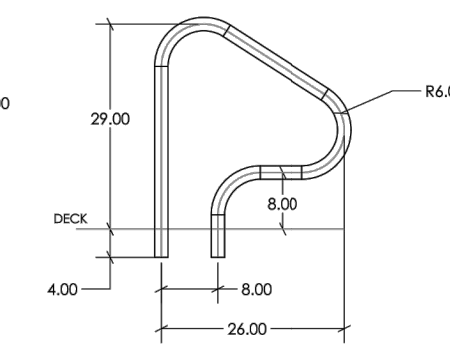
**30-inch Setback**

F4H-100 & F4H-101



**26-inch Setback**

F4H-102



**ladders + rails**

**Commercial Ladder**



- Tubing: 1.90" OD
- Wall Thickness: .065"
- Stainless Steel: 304 or 316L Marine Grade\* (add -MG to part number)
- Treads: LTDF-103 Stainless Steel (Elite)
- Bends: 6" Radius
- Options: Powder-coating and SealedSteel Salt Friendly (rails only)
- Recommended anchors: AS-100B (order separately)
- Recommended escutcheon: EP-100F (order separately)
- \* Minimum requirement for salt pools is 316L Marine Grade

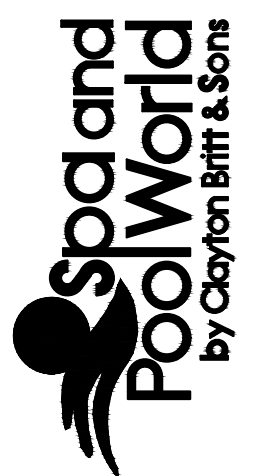
Model No.	Description
LF-X-2A	2-Step Ladder
LF-X-3B	3-Step Ladder
LF-X-4C	4-Step Ladder
LF-X-5D	5-Step Ladder
LFB-X-2A	2-Step Ladder with cross brace
LFB-X-3B	3-Step Ladder with cross brace
LFB-X-4C	4-Step Ladder with cross brace
LFB-X-5D	5-Step Ladder with cross brace
LFB-36-3B-12	Special 36" crossbrace 3-step ladder w/ 12" extended length

**Notes:**  
 • Key to order: X=Width dimension 24 for 24" ladder, 30 for 30" ladder, or 36 for 36" ladder.  
 Example LF-24-2A for 24" 2 step ladder.  
 • Safety Stop Kix-Add-T To the end of the part number.  
 • Frames extend 5 1/2" from the pool wall. Frame is secured to the pool deck with two anchor sockets on 20" centers.  
 The lower end of the frame is bent to meet the pool wall and fitted with two white rubber bumpers (WRB-100A).



Robert Charles Evans  
 2804 HAYWARD ROAD, SUITE 102, FAYETTEVILLE, NORTH CAROLINA

CLAYTON BRITT AND SONS, INC.  
 3703 BRAGG BOULEVARD  
 FAYETTEVILLE, NORTH CAROLINA 28301  
 910.868.8319  
 RICKY BRITT  
 NC BUILDING LICENSE #365207



OWNERS: HATCHER CREEK LLC.  
 126 BRANDON DRIVE  
 LILLINGTON, NC 27546  
 DATE: JUNE 25TH 2022

LOCATION: THE GROVE AT 421  
 61 GROVE CIRCLE  
 LILLINGTON, NC 27546

SCALE: AS SHOWN

DRAWN: J.PARRISH

**POOL SPECIALTY FITTINGS (CONT'D)**

WHITE GOODS

**Ordering Information**

Product	Description	Carton Qty.	Carton Wt. (Lbs.)
<b>FLOOR INLET FITTINGS</b>			
08417-0000	2 in. Slip with 1-1/2 in. slip bushing, white <sup>1</sup>	1	1
08417-0100	2 in. Slip with 1-1/2 in. slip bushing, gray <sup>1</sup>	1	1
08417-0200	2 in. Slip with 1-1/2 in. slip bushing, black <sup>1</sup>	1	1
<b>SPECIAL FITTINGS</b>			
46550000	Aerator Cap, 1-1/2 in. for air channel, white	50	13
46550015	Aerator Cap, 1-1/2 in. for air channel, dark gray	50	13
46550065	Aerator Cap, 1-1/2 in. for air channel, gray	50	13
510166	Hose adapter, straight, white <sup>4</sup>	50	3
86201500	Aerator inlet (used as a return spray nozzle)	10	1
K12500	Snap Lock Kit Fitting	1	0.10
GW9530	Vac-port fitting, NSF listed	1	0.10
86200500	Vacuum or Winterizing plug with O-ring	1	0.50
<b>VALVE COVERS</b>			
86300100	Valve Lid & Ring, ABS, 6 in., white	1	1
86300130	Valve Lid & Ring, ABS, 6 in., beige	1	1
<b>GRATE INSERTS</b>			
540056	Grate insert, 1-1/2 in. MIP, white <sup>2</sup>	50	2
540057	Grate insert, 1-1/2 in. MIP, black <sup>2</sup>	50	2
<b>ROPE ANCHORS &amp; HOOKS</b>			
542044	Anchor Cup with SS bar, white <sup>1</sup>	100	24
542045	Anchor Cup with SS bar, black <sup>1</sup>	100	24
86201200	Anchor Cup, ABS, white	100	16
86201215	Anchor Cup, ABS dark gray	100	16
86201300	Anchor Cup, ABS with SS cross bar, white <sup>1</sup>	100	16
86201400	Rope Hook, 3/4 in., ABS	150	16
542142	Rope Hook for 3/4 in. rope with two SS screws	200	22
<b>STEPS</b>			
82400700	ABS Steps, set of three, white	1	3
82400800	ABS Steps, set of three, gray	1	3

<sup>1</sup> Not for use with saltwater pools.  
<sup>2</sup> Not for use as a suction fitting.  
<sup>3</sup> Use only as a floor inlet fitting.  
<sup>4</sup> Hose to NPT fittings.

**BERMUDA™ SKIMMERS (CONT'D)**

WHITE GOODS - SKIMMERS

**Ordering Information**

Product	Description	Material Type	Carton Qty.	Carton Wt. (Lbs.)
<b>GINITE SKIMMERS</b>				
506300	2 in. Slip ports, white	PVC	1	10
506301	2 in. Threaded ports, white	PVC	1	10
506302	2 in. Slip ports, tan	PVC	1	10
506304	1-1/2 in. Slip ports, white	PVC	1	10
506361	2 in. Slip ports, white	ABS	1	10
506362	2 in. Threaded ports, white	ABS	1	10
506363	1-1/2 in. Slip ports, white	ABS	1	10
506364	1-1/2 in. Threaded ports, white	ABS	1	10
506365	2 in. Slip ports, black	ABS	1	10
<b>GINITE SKIMMERS WITH FLOAT VALVE ASSEMBLY</b>				
506362	2 in. Slip ports, tan	ABS	1	10
506308	2 in. Slip ports with float valve, white	PVC	1	10
506309	2 in. Threaded ports with float valve, white	PVC	1	10
506310	2 in. Slip ports, tan	PVC	1	10
<b>GINITE SKIMMERS WITH FLOAT VALVE &amp; EQUALIZER VALVE ASSEMBLY</b>				
506370	2 in. slip ports, white 1 (BKD)	PVC	1	10
506380	2 in. slip ports, white 1 (ABKG)	ABS	1	10
506381	2 in. threaded ports, white 1 (ABKG)	ABS	1	10
<b>VINYL/FIBERGLASS SKIMMER</b>				
506420	1-1/2 in. Slip ports, white	ABS	1	10
506421	1-1/2 in. Threaded ports, white	ABS	1	10
506480	1-1/2 in. Threaded ports, black	ABS	1	10
<b>WIDE-MOUTH SKIMMER FOR VINYL LINER &amp; FIBERGLASS POOLS</b>				
506520	1-1/2 in. Slip ports, white	ABS	1	10
506521	1-1/2 in. Threaded ports, white	ABS	1	10
506581	1-1/2 in. Threaded ports, black	ABS	1	10

Item	Product	Description	Carton Wt. (Lbs.)
<b>BERMUDA ACCESSORIES</b>			
A	506160	Floater valve assembly	1
B	506161	Vacuum plate/insert assembly, white	0.50
C	506162	Equalizer valve assembly	1.3
E	516233	Gunite extension collar, white, 3-1/8 in. length	0.20
E	516238	Gunite extension collar, tan, 3-1/8 in. length	0.60
E	516329	Gunite extension collar, black, 3-1/8 in. length	0.60
F	510327	Deck lid and collar assembly with screws, dark gray	1.3
F	510332	Deck lid, dark gray	0.50
F	516215	Deck lid, white	0.50
F	516216	Deck lid, tan	0.50
F	516234	Deck lid and collar assembly with screws, white	1.3
F	516261	Deck lid and collar assembly with screws, tan	1.3
F	516306	Deck lid, black	0.50
F	516328	Deck lid and collar assembly with screws, black	1.3

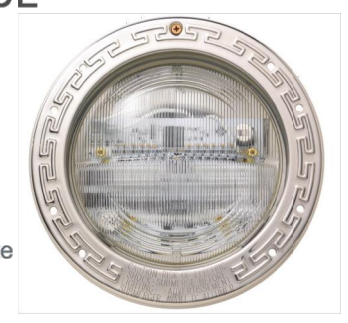
CALIFORNIA PROPOSITION 65 WARNING  
 WARNING: Cancer and Reproductive Harm.  
 AVERTISSEMENT: Peut Causer le Cancer et des Dommages au Système Reproducteur.  
 ADVERTENCIA: Cáncer y Daño Reproductivo.  
 www.p66warnings.ca.gov

See pages 593 for replacement parts.

LIGHTING - WHITE

**INTELLIBRITE® 5G WHITE LED LIGHTS**  
 UNDERWATER LED LIGHTS FOR SWIMMING POOLS AND SPAS

**TRADEGRADE**



- Featured Highlights**
- The brightest most energy efficient white LED light on the market
  - Energy efficient utilizing up to 86% less energy than comparable incandescent lights
  - Superior lens geometry and innovative reflector design combine to create a wider beam and more uniform light distribution
  - Pool lens can be rotated to 180 degrees to provide wide beam pattern (standard) or narrow beam pattern
  - Compatible with Pentair stainless steel and plastic niches
  - Available in 120V, 400W, and 500W incandescent equivalencies

IntelliBrite 5g White LED light offers a brighter, more energy efficient alternative to incandescent white lighting. Utilizing its array of LEDs, it is also ideal for commercial applications. All Pentair UL listed underwater lights are certified for use in fresh water with up to 6,000 ppm salinity.

CALIFORNIA PROPOSITION 65 WARNING  
 WARNING: Cancer and Reproductive Harm.  
 AVERTISSEMENT: Peut Causer le Cancer et des Dommages au Système Reproducteur.  
 ADVERTENCIA: Cáncer y Daño Reproductivo.  
 www.p66warnings.ca.gov

**Ordering Information for Pool Lights**

Product	Voltage	Wattage	Cord Length (Ft.)	Incandescent Equivalency	Carton Qty.
<b>INTELLIBRITE 5g WHITE POOL LIGHTS - 300 WATT EQUIVALENT, 120 VOLT</b>					
601100	120V	40	30 ft.	300W Equivalency	1
601101	120V	40	50 ft.	300W Equivalency	1
601102	120V	40	100 ft.	300W Equivalency	1
601103	120V	40	150 ft.	300W Equivalency	1
601104	120V	40	250 ft.	300W Equivalency	1
<b>INTELLIBRITE 5g WHITE POOL LIGHTS - 300 WATT EQUIVALENT, 12 VOLT</b>					
601105	12V	40	30 ft.	300W Equivalency	1
601106	12V	40	50 ft.	300W Equivalency	1
601107	12V	40	100 ft.	300W Equivalency	1
601108	12V	40	150 ft.	300W Equivalency	1
<b>INTELLIBRITE 5g WHITE POOL LIGHTS - 400 WATT EQUIVALENT, 120 VOLT</b>					
601200	120V	48	30 ft.	400W Equivalency	1
601201	120V	48	50 ft.	400W Equivalency	1
601202	120V	48	100 ft.	400W Equivalency	1
601203	120V	48	150 ft.	400W Equivalency	1
601204	120V	48	250 ft.	400W Equivalency	1
<b>INTELLIBRITE 5g WHITE POOL LIGHTS - 400 WATT EQUIVALENT, 12 VOLT</b>					
601205	12V	48	30 ft.	400W Equivalency	1
601206	12V	48	50 ft.	400W Equivalency	1
601207	12V	48	100 ft.	400W Equivalency	1
601208	12V	48	150 ft.	400W Equivalency	1
<b>INTELLIBRITE 5g WHITE POOL LIGHTS - 500 WATT EQUIVALENT, 120 VOLT</b>					
601300	120V	55	30 ft.	500W Equivalency	1
601301	120V	55	50 ft.	500W Equivalency	1
601302	120V	55	100 ft.	500W Equivalency	1
601303	120V	55	150 ft.	500W Equivalency	1
601304	120V	55	250 ft.	500W Equivalency	1
<b>INTELLIBRITE 5g WHITE POOL LIGHTS - 500 WATT EQUIVALENT, 12 VOLT</b>					
601305	12V	55	30 ft.	500W Equivalency	1
601306	12V	55	50 ft.	500W Equivalency	1
601307	12V	55	100 ft.	500W Equivalency	1
601308	12V	55	150 ft.	500W Equivalency	1

LIGHTING - WHITE AND COLOR

**GLOBRITE® WHITE AND COLOR LED LIGHTS**  
 UNDERWATER LED LIGHTS FOR SWIMMING POOLS AND SPAS

**TRADEGRADE**



**Featured Highlights**

- The brightest and most efficient LEDs available
- Can be placed in as little as 4 in. of water even in the floor pointing up
- Does not require grounding or bonding for quick and easy installations
- 5 brilliant fixed colors and 7 pre-programmed light shows
- Compatible with IntelliTouch® or EasyTouch® Control Systems for advanced control features
- Compatible with gunite, fiberglass and vinyl pools



GloBrite LED Lights use advanced technology for energy-efficient, high quality light displays, delivered with enhanced LED brightness and superior optics, while using 18% less energy than other shallow water LED lights. GloBrite lights are compatible with IntelliTouch and EasyTouch control systems and IntelliBrite 5g LED pool lights. GloBrite LED lighting is a brilliant way to showcase and enhance pool features like Baja shelves, steps, beach entries and shallow water features.

Note: Only GloBrite white lights have two dimming levels. GloBrite color lights cannot be dimmed.

**Ordering Information**

Product	Voltage	Wattage	Cord Length (Ft.)	Carton Qty.	Carton Wt. (Lbs.)
<b>GLOBRITE COLOR LED LIGHTS</b>					
602053	12	15W	30	1	5
602054	12	15W	50	1	6
602055	12	15W	100	1	9
602056	12	15W	150	1	12
<b>GLOBRITE WHITE LED LIGHTS</b>					
602102	12	15W	30	1	5
602103	12	15W	50	1	6
602104	12	15W	100	1	9
602105	12	15W	150	1	12

Product	Description	Carton Qty.	Carton Wt. (Lbs.)
<b>GLOBRITE NICHES</b>			
620040	Gunite Niche for GloBrite (includes white, blue, black, gray and tan rings)	1	1.3
620039	Vinyl Niche for GloBrite (includes white, blue, and gray rings)	1	1.3
620041	Fiberglass Niche for GloBrite (white)	1	1.3
620093	Fiberglass Niche for GloBrite (blue)	1	1.3
620094	Fiberglass Niche for GloBrite (gray)	1	1.3
<b>GLOBRITE COLOR KITS, INCLUDING NICHE &amp; TRANSFORMER</b>			
619993	1 GloBrite Color 100 ft. with 300W Transformer + Gunite Niche	1	25
619994	2 GloBrite Color 100 ft. with 300W Transformer + 2 Gunite Niches	1	40
620051	1 GloBrite Color 100 ft. with 300W Transformer + Fiberglass Niche	1	25
620052	2 GloBrite Color 100 ft. with 300W Transformer + 2 Fiberglass Niches	1	40
620080	1 GloBrite Color 100 ft. with 300W Transformer + Vinyl Niche	1	25
620081	2 GloBrite Color 100 ft. with 300W Transformer + 2 Vinyl Niches	1	40

**Tools & Accessories - CMP**



<http://www.c-m-p.com/cmp/wp-content/uploads/2013/10/25505-000.jpg>

**VAC LOCK COVER**  
 1.5" MIP X 1.25" HOSE

**25505-000-000**  
**W400BWHP**  
 White Vac Lock Cover

**25505-001-000**  
**W400BLGP**  
 Gray Vac Lock Cover

**25505-004-000**  
 Black Vac Lock Cover

**25505-007-000**  
 Dark Gray Vac Lock Cover

**25505-009-000**  
 Tan Vac Lock Cover

WHITE GOODS

**AUTOMATIC WATER FILLERS**  
 WATER LEVEL CONTROL



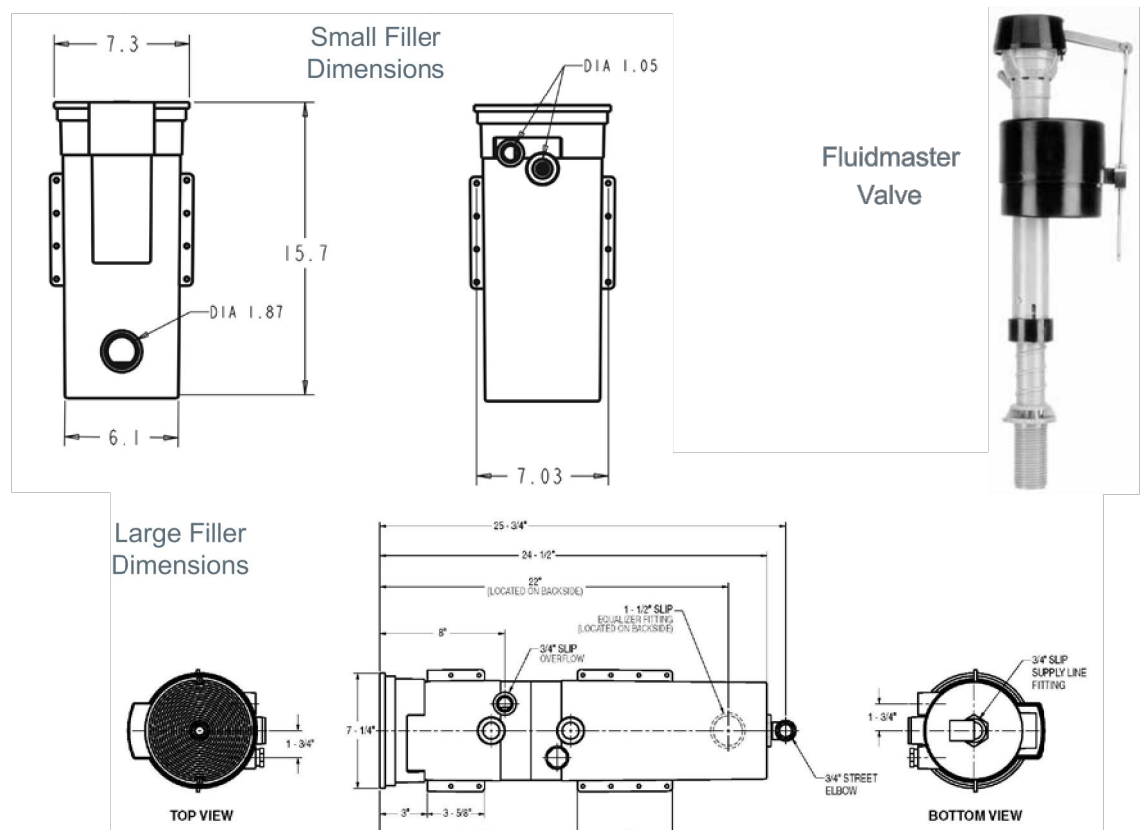
CALIFORNIA PROPOSITION 65 WARNING  
 WARNING: Cancer and Reproductive Harm.  
 AVERTISSEMENT: Peut Causer le Cancer et des Dommages au Système Reproducteur.  
 ADVERTENCIA: Cáncer y Daño Reproductivo.  
 www.p66warnings.ca.gov

**Featured Highlights**

- Available for standard in-ground and vanishing edge pools
- Prevents equipment damage due to low water levels
- No electronic controls
- Prevents water waste and landscape damage due to overflowing pool
- Available with white, black, gray, and almond colored lids

**Ordering Information**

Product	Description	Product	Description
<b>AUTOMATIC WATER FILLERS</b>			
T40FW	AutoFill w/ Fluidmaster valve, white	T40FDG	AutoFill w/ Fluidmaster valve, dark gray
T40BBE	AutoFill w/ side mounted float valve, almond	T40FNB	AutoFill w/ Fluidmaster valve, almond
T40BBK	AutoFill w/ side mounted float valve, black	T40FNBK	AutoFill Vanishing Edge w/ Fluidmaster valve, black
T40BG	AutoFill w/ side mounted float valve, gray	T40FNG	AutoFill Vanishing Edge w/ Fluidmaster valve, gray
T40BDG	AutoFill w/ side mounted float valve, dark gray	T40FNDG	AutoFill Vanishing Edge w/ Fluidmaster valve, dark gray
T40BW	AutoFill w/ side mounted float valve, white	T40FNW	AutoFill Vanishing Edge w/ Fluidmaster valve, white
T40FB	AutoFill w/ Fluidmaster® valve, almond		
T40FBK	AutoFill w/ Fluidmaster valve, black		
T40FG	AutoFill w/ Fluidmaster valve, gray		



See page 600 for replacement parts.

Robert Charles Evans  
 2804 HAYWARD ROAD, SUITE 102, FAYETTEVILLE, NORTH CAROLINA

CLAYTON BRITT AND SONS, INC.  
 3703 BRAGG BOULEVARD  
 FAYETTEVILLE, NORTH CAROLINA 28301  
 910.868.8319  
 RICKY BRITT  
 NC BUILDING LICENSE #365207

Spa and Pool World  
 by Clayton Britt & Sons

OWNERS: HATCHER CREEK LLC.  
 126 BRANDON DRIVE  
 LILLINGTON, NC 27546  
 LOCATION: THE GROVE AT 421  
 61 GROVE CIRCLE  
 LILLINGTON, NC 27546  
 DRAWN: J. PARRISH  
 SCALE: AS SHOWN  
 DATE: JUNE 25TH 2022