

NORTH CAROLINA BUILDING CODE SUMMARY - NC 2018 BUILDING CODE

NAME OF PROJECT: A POOL FOR THE GROVE AT 421
PROJECT ADDRESS: 61 GROVE CIRCLE, LILLINGTON, NORTH CAROLINA 27546
OWNER / CONTACT: RICKY BRITT
PHONE #: TELEPHONE: 910.868.1270
EMAIL: rbritt@spaandpoolworld.com

DESIGN PROFESSIONALS

Table with columns: CONTACT, DESIGNER, ARCHITECTURAL, CIVIL, ELECTRICAL, FIRE ALARM, PLUMBING, MECHANICAL, SPRINKLER, STRUCTURAL, RETAINING WALL, OTHER.

BUILDING CODE DATA

2018 NC BUILDING CODE: NEW BUILDING, ADDITION, RENOVATION, NEW POOL
2018 NC EXISTING BUILDING CODE: EXISTING, PREScriptive, REPAIR, CHAPTER 14
RISK CATEGORY: CURRENT, PROPOSED

BASIC BUILDING DATA

CONSTRUCTION TYPE: I-A, II-A, III-A, IV-A, V-A, I-B, II-B, III-B, IV-B, V-B
SPRINKLERS: NO, PARTIAL, YES
FIRE DISTRICT: NO, YES
BUILDING HEIGHT: FEET, NUMBER OF STORES
MEZZANINE: NO, YES
HIGH RISE: NO, YES
FLOOD HAZARD: NO, YES
SPECIAL INSPECTION REQUIRED: NO, YES

ALLOWABLE AREA

PRIMARY OCCUPANCY CLASSIFICATION(S): ASSEMBLY, BUSINESS, EDUCATIONAL, FACTORY, HAZARDOUS, INSTITUTIONAL, MERCANTILE, RESIDENTIAL, STORAGE, PARKING GARAGE, UTILITY AND MISCELLANEOUS

ACCESSORY OCCUPANCY CLASSIFICATION: N/A
INCIDENTAL USES (Table 509): N/A
SPECIAL USES (CHAPTER 4-LIST CODE SECTIONS): N/A
SPECIAL PROVISIONS (CHAPTER 5-LIST CODE SECTIONS): N/A
MIXED OCCUPANCY: NO, YES

Table with columns: STORY NO., DESCRIPTION AND USE, (A) BLDG AREA PER STORY (ACTUAL), (B) TABLE 506.2 AREA, (C) AREA FOR OPEN SPACE INCREASE, (E) ALLOWABLE AREA OR UNLIMITED

- 1 - FRONTAGE AREA INCREASE FROM SECTION 506.2
2 - UNLIMITED AREA APPLICABLE UNDER CONDITIONS OF SECTION 507
3 - MAXIMUM BUILDING AREA = TOTAL NUMBER OF STORES x D (MAXIMUM 3 STORES) (506.2)
4 - THE MAXIMUM AREA OF OPEN PARKING GARAGES MUST COMPLY WITH TABLE 406.5.4
5 - FRONTAGE INCREASE IS BASED ON THE UNSPRINKLERED AREA VALUE IN TABLE 506.2

ALLOWABLE HEIGHT

Table with columns: BUILDING HEIGHT IN FEET (TABLE 504.3), BUILDING HEIGHT IN STORES (TABLE 504.4), ALLOWABLE, SHOWN ON PLANS, CODE REFERENCE

FIRE RESISTANCE RATINGS

Table with columns: BUILDING ELEMENT, FIRE SEPARATION DISTANCE (FEET), REQ'D RATING, PROVIDED RATING, DETAIL # AND SHEET #, DESIGN # FOR RATED ASSEMBLY, DESIGN # FOR RATED PENETRATION, DESIGN # FOR RATED JOINTS

PERCENTAGE OF WALL OPENINGS CALCULATIONS

Table with columns: WALL, FIRE SEPARATION DISTANCE FROM PROPERTY LINE(S)(R/AMB), DEGREE OF OPENINGS PROTECTION TABLE 705.8, PERCENTAGE OF ALLOWABLE AREA, ACTUAL PERCENTAGE OF OPENING ON PLANS

LIFE SAFETY SYSTEMS

EMERGENCY LIGHTING: NO, YES
EXIT SIGNS: NO, YES
FIRE ALARM: NO, YES
SMOKE DETECTION SYSTEM: NO, YES
CARBON MONO. DETECTION: NO, YES
PANIC HARDWARE: NO, YES

Check items that are applicable to this project:
Assumed and real property line locations
Exterior wall opening area with respect to distance to assumed property lines (705.8)
Occupancy types for each area as it relates to occupant load calculations (Table 1004.1.1)
Occupant loads for each area
Exit access travel distance (1017)
Common path of travel distance (1006.2.1 & 1006.3.2(1))
Dead end lengths (1024)
Clear exit width for each exit door
Maximum calculated occupant load capacity each exit door can accommodate based on egress width (1005.3)
Actual occupant load for each exit door
A separate schematic plan indicating where fire rated floor/ceiling and/or roof structure is provided for purposes of occupancy separation
Location of doors with panic hardware (1010.1.10)
Location of doors with delayed egress locks and the amount of delay (1010.1.9.7)
Location of doors with electromagnetic egress locks (1010.1.9.9)
Location of doors equipped with hold-open devices
Location of emergency escape windows (1030)
The square footage of each fire area (202)
The square footage of each smoke compartment (407.5)
Note any code exceptions or table notes that may have been utilized regarding the items above

EXIT REQUIREMENTS

Table with columns: FLOOR, ROOM OR SPACE DESIGNATION, MINIMUM NUMBER OF EXITS REQUIRED, TRAVEL DISTANCE, ARRANGEMENT MEANS OF EGRESS

- 1 Corridor dead ends (Section 1004.3.2.3)
2 Single exits (Table 1005.2.2)
3 Common path of travel (Section 1004.2.4.5)

ACCESSIBLE DWELLING UNITS

Table with columns: TOTAL UNITS, ACCESSIBLE UNITS REQUIRED, ACCESSIBLE UNITS PROVIDED, TYPE A UNITS REQUIRED, TYPE A UNITS PROVIDED, TYPE B UNITS REQUIRED, TYPE B UNITS PROVIDED, TOTAL ACCESSIBLE UNITS PROVIDED

ACCESSIBLE PARKING

Table with columns: LOT OR PARKING AREA, TOTAL # OF PARKING SPACES REQUIRED, PROVIDED, # OF ACCESSIBLE SPACES PROVIDED, TOTAL # ACCESSIBLE PROVIDED

PLUMBING FIXTURE REQUIREMENTS

Table with columns: USE, WATERCLOSETS, URINALS, LAVATORIES, SHOWERS/TUBS, DRINKING FOUNTAINS, NOTES & EXCEPTIONS

SPECIAL APPROVALS

(Describe special approvals from local jurisdictions, County of State Department of Health, NC Department of Insurance, International Code Council, etc.)

ENERGY SUMMARY

EXISTING BUILDING ENVELOPE COMPLIES WITH CODE: NO, YES, UNKNOWN
CLIMATE ZONE: 3A, 4A, 5A
METHOD OF COMPLIANCE: ENERGY CODE, PERFORMANCE, ASHRAE 90.1, PERFORMANCE
THERMAL ENVELOPE (PRESCRIPTIVE METHOD ONLY)
ROOF/CEILING ASSEMBLY, WALLS BELOW GRADE, EXTERIOR WALLS, OPENINGS, FLOORS OVER UNCONDITIONED SPACE, FLOORS SLAB ON GRADE

STRUCTURAL DESIGN

DESIGN LOADS: IMPORTANCE FACTORS, LIVE LOADS, GROUND SNOW LOADS, WIND LOADS, SEISMIC DESIGN CATEGORY, PROVIDE THE FOLLOWING SEISMIC DESIGN PARAMETERS, SITE CLASSIFICATION, DATA SOURCE, BASIC STRUCTURAL SYSTEM, ANALYSIS PROCEDURE, ARCHITECTURAL, MECHANICAL, COMPONENTS ANCHORED, LATERAL DESIGN CONTROL, SOIL BEARING CAPACITY, PRESUMPTIVE BEARING CAPACITY, FLE SIZE, TYPE AND CAPACITY

SPECIAL INSPECTIONS CHAPTER 17

SPECIAL INSPECTIONS SHALL BE CONDUCTED ON ALL PROJECTS THAT FALL WITHIN BUILDING CATEGORIES AND/OR CONTAIN ELEMENTS SUBJECT TO SPECIAL INSPECTIONS AS PRESCRIBED BY REVISED SECTION 1704. To schedule the required preconstruction meeting with the City of Raleigh please call 807-5111. List whom will inspect the required special inspections: Fabricator of load bearing components, Soil tests, Concrete, caissons, piles, piers, precast, Post tension concrete, Modular construction, Steel and connections, welds, bolts, anchors, Fire spray tests, Smoke control, Seismic, wind designs, Quality Assurance, Retaining wall, Masonry, Wood, Alternate Methods, EFIS, Other (describe), Other (describe), Owner or agent

ELECTRICAL SUMMARY

ELECTRICAL SYSTEM AND EQUIPMENT
Method of Compliance: Prescriptive, Performance, Energy Cost Budget
Lighting schedule
Equipment schedules with motors (not used for mechanical systems)

MECHANICAL SUMMARY

MECHANICAL SYSTEMS, SERVICE SYSTEMS AND EQUIPMENT
Method of Compliance: Prescriptive, Performance, Energy Cost Budget
THERMAL ZONE
Exterior design conditions
Interior design conditions
BUILDING HEATING LOAD
BUILDING COOLING LOAD
MECHANICAL SPACING CONDITIONING SYSTEM
LIST EQUIPMENT EFFICIENCIES
EQUIPMENT SCHEDULES WITH MOTORS (mechanical systems)

SHELL VARIABLE FORM

Check each applicable line to match scope of work. Edit as necessary to provide clear detail of installation.
MECHANICAL: No work, Equipment set with/without power, Gas line, Trunk line installed with/without outlets, Install complete operational system
PLUMBING: No work, Install water service and sewer, Install complete plumbing system, Install building drain and/or water distribution main with/without branches
SPRINKLER: Install complete plumbing system
BUILDING: Install slab partial/complete, Install demising walls, Install interior partitioning partial/complete, Install ceilings, White box (additional interior completion permits are required for Certificate of Occupancy and power)
ELECTRICAL: House panel (CONNECTING TO), Demise wall and ceilings only, Conduit, duct, raceway, in slab, Power and lighting circuits to "J" Box, Elevator, Generator, Parking lot lighting, Install complete system, Other

WALL LEGENDS

FIRE PARTITIONS 709, FIRE WALLS 706, FIRE BARRIERS 707, SMOKE PARTITIONS 711, SMOKE BARRIERS 710, SHAFT ENCLOSURE 708

OCCUPANT CONTENT

Table with columns: POOL, DECK, TOTAL OCCUPANT CONTENT, 1,250 sf / 50 = 25 PERSONS, 3,492 sf / 15 = 233 PERSONS, 258 PERSONS

Professional seals and contact information for Robert C. Evans, Registered Architect, Fayetteville, NC, and Clayton Britt and Sons, Inc., 3703 Bragg Boulevard, Fayetteville, NC.

GENERAL POOL NOTES:

- THE POOL DEPTH MARKING SHALL CONFORM WITH NC RULE 2523. PROVIDE SIDEWALL DEPTH MARKINGS IN THE PERIMETER IDENTICAL TO, AND DIRECTLY BELOW THE DECK SURFACE DEPTH MARKERS. THE DEPTH MARKERS SHALL BE 5" HIGH LETTERS ON 6" SQUARE TILING, PLACED IN LOCATIONS SHOWN, NOT MORE THAN 25' APART. SEE DEPTH MARKER DETAILS FOR PAINTED MARKER OPTION.
- THE SANITARY FACILITIES SERVING THE POOL AREA SHALL MEET 15A NCAC 18A.2500 - RULES REGULATING PUBLIC SWIMMING POOLS - SECTION 2526 "DRESSING AND SANITARY FACILITIES".
- DRESSING FACILITY FLOORS SHALL BE CONTINUOUS THROUGHOUT THE AREAS. FLOORS SHALL HAVE A SLIP-RESISTANT SURFACE THAT SHALL BE SMOOTH TO INSURE COMPLETE CLEANING. FLOOR DRAINS SHALL BE PROVIDED, AND FLOORS SHALL BE SLOPED NOT LESS THAN 1/4" INCH PER FOOT TOWARDS THE DRAINS TO INSURE POSITIVE DRAINAGE.
- THE SKIMMERS, RETURN FILTERS AND OTHER SHELL FIXTURES SHALL BE FIELD LOCATED AS SHOWN ON SIDES OF THE POOL.
- ALL POOL PLUMBING PIPING SHALL BE SCHEDULE 40 PVC.
- A GROUND FAULT INTERRUPTER (GFI) SHALL BE INSTALLED ON THE CIRCUIT SERVING THE UNDERWATER LIGHTS, WITH ALL CIRCUITRY IN ACCORDANCE WITH THE NATIONAL ELECTRICAL CODE.
- THIS DRAWING IS BASED UPON DESIGNS AND SPECIFICATIONS BY THE POOL BUILDER AND OTHERS.
- THE POOL BUILDER SHALL VERIFY THAT ALL DESIGN ELEMENTS ARE CORRECT AND WILL FUNCTION AS INTENDED.
- THE MINIMUM SIZE FOR THE CHEMICAL STORAGE ROOM IS BASED ON THE TOTAL POOL VOLUME.
- TWO HOSE BIBS (1) DECKSIDE AND (1) IN PUMP ROOM; LOCATE SO THAT NO PORTION OF POOL/DECK IS MORE THAN 100' FROM HOSE BIB; SEE A1 AND A2 FOR LOCATIONS.
- MIRRORS IN TOILET AREAS SHALL BE SHATTERPROOF.
- THERE SHALL BE A CLEARANCE OF NOT MORE THAN SIX INCHES, NOR LESS THAN THREE INCHES BETWEEN ANY HAND RAIL AND THE SWIMMING POOL WALL.
- "INTERNATIONAL NO DIVING" SYMBOLS WILL BE A MINIMUM OF 6" DIAMETER IN ALL LOCATIONS.
- POOL FINISH INCLUDING BOTTOM AND SIDES, SHALL BE OF WHITE QUARTZ OR LIGHT COLORED MATERIAL DETERMINED VISUALLY TO CONTRAST LEAST WITH A VALUE OF GRAY WHITER THAN 50 PERCENT BLACK ON AND ARTISTS GRAY SCALE, OR SHOWN BY REFLECTANCE TESTING TO REFLECT MORE THAN 50 PERCENT OF VISIBLE LIGHT.
- CONSTRUCTED PARTITIONS IN SANITARY FACILITIES WILL BE MADE OF MATERIAL THAT WILL NOT BE DAMAGED BY WATER.
- A TELEPHONE CAPABLE OF DIRECTLY DIALING 911 OR OTHER EMERGENCY NOTIFICATION SYSTEM SHALL BE PROVIDED AND ACCESSIBLE TO ALL POOL USERS. EFFECTIVE APRIL 1, 2005 THE TELEPHONE SHALL BE PERMANENTLY AFFIXED TO A LOCATION INSIDE THE POOL ENCLOSURE OR OUTSIDE THE ENCLOSURE WITHIN 75 FEET OF A BATHER ENTRANCE. THE TELEPHONE SHALL BE VISIBLE FROM WITHIN THE POOL ENCLOSURE OR A SIGN SHALL BE POSTED INDICATING THE LOCATION OF THE EMERGENCY TELEPHONE. A SIGN WITH LEGIBLE LETTERS SHALL BE POSTED AT THE TELEPHONE PROVIDING DIALING INSTRUCTIONS, ADDRESS OF THE POOL LOCATION AND THE TELEPHONE NUMBER. WHERE THE TELEPHONE DOES NOT DIRECTLY ACCESS 911, THE EMERGENCY NOTIFICATION SYSTEM SHALL:
 - (A) PROVIDE 24 HOUR MONITORING OF ALL INCOMING CALLS BY A TELECOMMUNICATOR WHO ANSWERS ONLY EMERGENCY CALLS;
 - (B) BE CAPABLE OF ROUTING CALLS TO THE LOCAL 911 TELECOMMUNICATOR VIA THE 911 DEDICATED EMERGENCY TRUNK LINE; AND
 - (C) ELECTRONICALLY TRANSFER AUTOMATIC NUMBER IDENTIFICATION AND AUTOMATIC LOCATOR IDENTIFICATION FOR THE EMERGENCY TELEPHONE AT THE POOL TO THE ENHANCED 911 SYSTEM FOR ALL CALLS ROUTED TO 911.
- "POOL CLOSED" SIGNS WHERE VISIBLE FROM ALL BATHER ENTRANCES AS WELL AS FROM ALL AREAS OF THE DECK.
- THE LEADING EDGE OF EACH STEP AT STAIRS SHALL BE MARKED WITH A CONTRASTING, SLIP- RESISTANT, COLOR TILE BAND AT LEAST 2" WIDE VISIBLE FROM ABOVE AND SPACED NO MORE THAN 1" FROM THE EDGE OF THE STEP TREAD AND SPACED FROM ADJACENT TILES.
- THE SUNSHELF FINISH (IF INCLUDED) SHALL BE SLIP RESISTANT.
- THE STORAGE ROOM AND PUMP ROOM ARE TO MEET NEC 680.14
- THE SWIMMING POOL CONTRACTOR SHALL CONTACT THE LOCAL HEALTH DEPARTMENT WHEN POOL PIPES ARE IN PLACE AND VISIBLE SO THAT THE LOCAL HEALTH DEPARTMENT MAY CONDUCT AN OPEN-PIPE INSPECTION OF THE POOL PIPING.

EQUIPMENT/CHEMICAL STORAGE ROOM NOTES:

- THE EQUIPMENT / CHEMICAL STORAGE ROOM CEILING HEIGHT SHALL BE 8' MINIMUM, & THE LIGHTING FOR EACH ROOM SHALL BE 100 WATTS MINIMUM.
- THE POWER VENTILATORS SHALL DISCHARGE THROUGH THE BUILDING WALL & BE DIRECTED AWAY FROM THE POOL AREA. EACH VENTILATOR SHALL OPERATE CONTINUOUSLY.
- A SUMP FOR FILTER BACKWASH SHALL BE LOCATED AS SHOWN & INSTALLED FLUSH WITH THE EQUIPMENT ROOM FLOOR. THE SUMP SHALL DISCHARGE TO THE STORM SEWER SYSTEM.
- THE OWNER / GENERAL CONTRACTOR SHALL FURNISH THE BACKFLOW PREVENTION DEVICE FOR THE POOL FILL LINE. THE POOL FILL WATER SHALL BE FROM THE APPROVED MUNICIPAL WATER SYSTEM.
- THE POOL OPERATIONAL PROCEDURE SHALL BE POSTED ON THE EQUIPMENT ROOM WALL.
- BOTH THE EQUIPMENT & CHEMICAL STORAGE ROOM ENTRY DOORS SHALL BE EITHER STEEL OR WOOD, w/ 12" SQUARE, SCREENED LOUVER, FOR VENTILATION AND SUPPLY OPENING FOR AIR EXCHANGE.
- PROVIDE SHELVE FOR DRY STORAGE OF POOL CHEMICALS PER 15A NCAC 18A.2534.
- EQUIPMENT ROOM FLOORS SHALL BE SLOPED NOT LESS THAN 1/4" PER FOOT TOWARDS FLOOR DRAIN

POOL SIGNAGE

- "NO DIVING" (MIN 4" LETTERS) (QTY 3)
 - "WARNING - NO LIFE GUARD ON DUTY" (MIN 4" HIGH LETTERS) (QTY 2)
 - "PLEASE SHOWER BEFORE ENTERING POOL" (MIN 4" HIGH LETTERS) (QTY 1)
 - ALL ON ONE SIGN; (MINIMUM 1" HIGH LETTERS) (QTY 1)
- CHILDREN SHOULD NOT USE THE SWIMMING POOL WITHOUT ADULT SUPERVISION
ADULTS SHOULD NOT SWIM ALONE
NO PETS ALLOWED
NO GLASS CONTAINERS

POOL DECKING NOTES:

- POOL DECKING SHALL BE 4" THICK 3,000 PSI FIBER REINFORCED CONCRETE.
- THE DECK SURFACE SHALL SLOPE 1/4" (MIN) TO 1/2" (MAX) PER FOOT FROM POOL WATERS EDGE TO DECK DRAINS, OR DECK EDGE AS SHOWN.
- DECK DRAINS TO DRAIN TO DAYLIGHT.
- ALL DECKING SURFACES SHALL BE A COMBINATION OF CONCRETE PAVERS AND CAST IN PLACE CONCRETE TEXTURED FOR SLIP-RESISTANT FINISH.
- FIELD LOCATE ALL CONCRETE CONTROL JOINTS AND EXPANSION JOINTS IN PLACES THAT WILL REDUCE THE LIKELIHOOD OF DECK CRACKING; PROVIDE PREMOLDED EXPANSION JOINTS, SET FLUSH WITH DECK LEVEL AS NEEDED.
- PLACEMENT OF ANY POOL DECK FURNITURE OR EQUIPMENT SHALL NOT INTERFERE WITH A MINIMUM OF 6'-0" CLEAR WALKING SPACE ALL AROUND THE POOL.
- HANDICAP LIFT ANCHOR BEHIND COPING THIS AREA; ANCHOR SHALL BE LOCATED 21" FROM WATERLINE AND SHALL BE NO LESS THAN 6" OR MORE THAN 22" FROM ANY POOL STRUCTURE (INCLUDING ALL COPING). WATER DEPTH AT H/C LIFT SHALL BE (MAXIMUM 48"). SEE DETAIL FOR MORE INFORMATION. THERE SHALL BE A MINIMUM OF 3'-0" CLEAR WALKING SPACE BEHIND HANDICAP LIFT

POOL DATA

POOL AREA (50'-0" x 25'-0"; 3'-0" - 5'-0" DEEP)	1250 SQ/FT
POOL PERIMETER	150 LINEAR FEET
POOL VOLUME	30145 GALLONS
MINIMUM FILTRATION CYCLE (6.0 HOURS)	84 GPM
DESIGN FILTRATION CYCLE (3.95 HOURS)	127 GPM
MINIMUM FILTER AREA (Ø 20 GPM/SF SURFACE AREA)	4.20 SQ/FT
DESIGN FILTER AREA (Ø XXXX GPM/SF SURFACE AREA)	7.06 SQ/FT
COMBINED POOL AND DECK AREA	4742 SQ/FT
NET DECK AREA	3492 SQ/FT
POOL OCCUPANCY LIMIT	83 PERSONS
POOL LIGHTING REQUIRED (SQ/FT x 0.5 WATTS)	625 WATTS
POOL LIGHTING PROVIDED	1030 WATTS
CHEMICAL STORAGE (12.00 SQ/FT MINIMUM REQUIRED)	43 SQ/FT PROVIDED

NIGHT SWIMMING NOT ALLOWED

15A NCAC 18A .2528 FENCES

- PUBLIC SWIMMING POOLS SHALL BE COMPLETELY ENCLOSED BY A FENCE, WALL, BUILDING, OR OTHER ENCLOSURE, OR ANY COMBINATION THEREOF, WHICH ENCLOSES THE SWIMMING POOL AREA SUCH THAT ALL OF THE FOLLOWING CONDITIONS ARE MET:
 - THE TOP OF THE BARRIER SHALL BE AT LEAST 48 INCHES ABOVE GRADE MEASURED ON THE SIDE OF THE BARRIER THAT FACES AWAY FROM THE SWIMMING POOL. THE MAXIMUM VERTICAL CLEARANCE BETWEEN GRADE AND THE BOTTOM OF THE BARRIER SHALL BE TWO INCHES MEASURED ON THE SIDE OF THE BARRIER THAT FACES AWAY FROM THE SWIMMING POOL.
 - OPENINGS IN THE BARRIER SHALL NOT ALLOW PASSAGE OF A FOUR-INCH-DIAMETER SPHERE AND SHALL PROVIDE NO EXTERNAL HANDHOLDS OR FOOTHOLDS. SOLID BARRIERS THAT DO NOT HAVE OPENINGS SHALL NOT CONTAIN INDENTATIONS OR PROTRUSIONS EXCEPT FOR NORMAL CONSTRUCTION TOLERANCES AND TOOLED MASONRY JOINTS.
 - WHERE THE BARRIER IS COMPOSED OF HORIZONTAL AND VERTICAL MEMBERS AND THE DISTANCE BETWEEN THE TOPS OF THE HORIZONTAL MEMBERS IS 45 INCHES OR MORE, SPACING BETWEEN THE VERTICAL MEMBERS SHALL NOT EXCEED FOUR INCHES. WHERE THERE ARE DECORATIVE CUTOUTS WITHIN THE VERTICAL MEMBERS, SPACING WITHIN THE CUTOUTS SHALL NOT EXCEED 1.75 INCHES IN WIDTH.
 - WHERE THE BARRIER IS COMPOSED OF HORIZONTAL AND VERTICAL MEMBERS AND THE DISTANCE BETWEEN THE TOPS OF THE HORIZONTAL MEMBERS IS LESS THAN 45 INCHES, THE HORIZONTAL MEMBERS SHALL BE LOCATED ON THE SWIMMING POOL SIDE OF THE FENCE. SPACING BETWEEN THE VERTICAL MEMBERS SHALL NOT EXCEED 1.75 INCHES IN WIDTH. WHERE THERE ARE DECORATIVE CUTOUTS WITHIN THE VERTICAL MEMBERS, SPACING WITHIN THE CUTOUTS SHALL NOT EXCEED 1.75 INCHES IN WIDTH.
 - MAXIMUM MESH SIZE FOR CHAIN LINK FENCES SHALL BE A 2.25 INCH SQUARE UNLESS THE FENCE IS PROVIDED WITH SLATS FASTENED AT THE TOP OR THE BOTTOM THAT REDUCE THE OPENINGS TO NO MORE THAN 1.75 INCHES.
 - WHERE THE BARRIER IS COMPOSED OF DIAGONAL MEMBERS, THE MAXIMUM OPENING FORMED BY THE DIAGONAL MEMBERS SHALL BE NO MORE THAN 1.75 INCHES.
 - ACCESS GATES SHALL COMPLY WITH THE DIMENSIONAL REQUIREMENTS FOR FENCES AND SHALL BE EQUIPPED TO ACCOMMODATE A LOCKING DEVICE. EFFECTIVE APRIL 1, 2011, PEDESTRIAN ACCESS GATES SHALL OPEN OUTWARD AWAY FROM THE POOL AND SHALL BE SELF-CLOSING AND HAVE A SELF-LATCHING DEVICE EXCEPT WHERE A GATE ATTENDANT AND LIFE GUARD ARE ON DUTY. GATES OTHER THAN PEDESTRIAN ACCESS GATES SHALL HAVE A SELF-LATCHING DEVICE. WHERE THE RELEASE MECHANISM OF THE SELF-LATCHING DEVICE IS LOCATED LESS THAN 54 INCHES FROM THE BOTTOM OF THE GATE, THE RELEASE MECHANISM SHALL REQUIRE THE USE OF A KEY, COMBINATION OR CARD READER TO OPEN OR SHALL BE LOCATED ON THE POOL SIDE OF THE GATE AT LEAST THREE INCHES BELOW THE TOP OF THE GATE, AND THE GATE AND BARRIER SHALL HAVE NO OPENINGS GREATER THAN 0.5 INCH WITHIN 18 INCHES OF THE RELEASE MECHANISM; AND
 - GROUND LEVEL DOORS AND WINDOWS OPENING FROM OCCUPIED BUILDINGS TO INSIDE THE POOL ENCLOSURE SHALL BE SELF-CLOSING OR CHILD PROTECTED BY MEANS OF A BARRIER OR AUDIBLE ALARM.
- PUBLIC SWIMMING POOL FENCES CONSTRUCTED PRIOR TO MAY 1, 2010 MAY VARY FROM THE PROVISIONS OF PARAGRAPH (A) OF THIS RULE AS FOLLOWS:
 - THE MAXIMUM VERTICAL CLEARANCE BETWEEN GRADE AND THE BOTTOM OF THE BARRIER MAY EXCEED TWO INCHES, BUT SHALL NOT EXCEED FOUR INCHES.
 - WHERE THE BARRIER IS COMPOSED OF VERTICAL AND HORIZONTAL MEMBERS AND THE SPACE BETWEEN VERTICAL MEMBERS EXCEEDS 1.75 INCHES, THE DISTANCE BETWEEN THE TOPS OF THE BOTTOM HORIZONTAL MEMBER AND THE NEXT HIGHER HORIZONTAL MEMBER MAY BE LESS THAN 45 INCHES, BUT SHALL NOT BE LESS THAN 30 INCHES.
 - GATES OTHER THAN PEDESTRIAN ACCESS GATES ARE NOT REQUIRED TO HAVE SELF-LATCHING DEVICES IF THE GATES ARE KEPT LOCKED; AND
 - GATES MAY SWING TOWARDS A POOL WHERE NATURAL TOPOGRAPHY, LANDSCAPE POSITION OR EMERGENCY EGRESS REQUIREMENTS PREVENT GATES FROM SWINGING AWAY FROM THE POOL. (C) PUBLIC SWIMMING POOLS PERMITTED PRIOR TO APRIL 1, 2010 WITH EXISTING FENCES THAT DO NOT COMPLY WITH THE DIMENSIONAL REQUIREMENTS OF SUBPARAGRAPHS (A)(1) THROUGH (A)(6) AND (B)(1) THROUGH (B)(2) SHALL NOT BE DENIED AN OPERATION PERMIT SOLELY DUE TO THE PREEXISTING NON-COMPLIANCE. OPERATION PERMITS SHALL BE DENIED TO AN OWNER OR OPERATOR WHO FAILS TO COMPLY WITH SUBPARAGRAPHS (A)(1) THROUGH (A)(6) AND (B)(1) THROUGH (B)(2) OF THIS RULE WHEN: (1) AT LEAST FIFTY PERCENT (50%) OF THE FENCE HAS BEEN DAMAGED OR DESTROYED; OR (2) THE OWNER OR OPERATOR ELECTS TO REPLACE THE FENCE.

MAINTENANCE EQUIP.

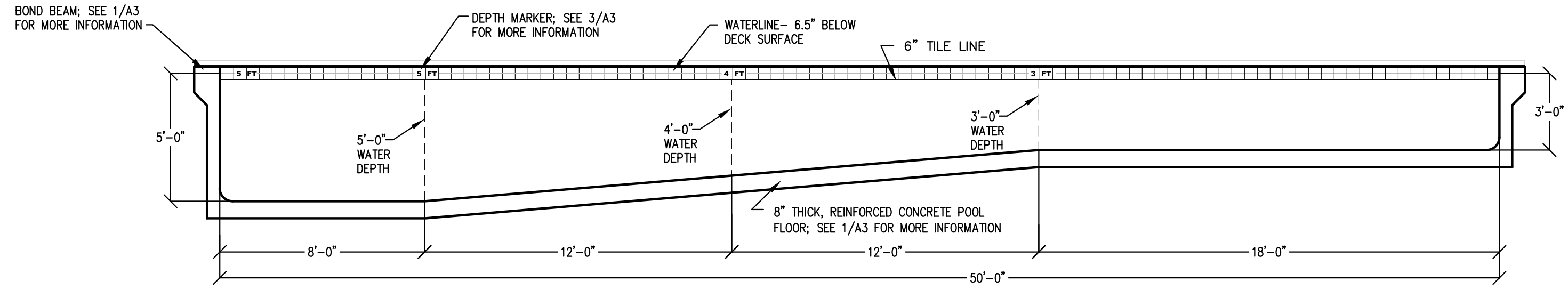
- (1) - DPD CHLORINE & pH TEST KIT
- (1) - 36" WALL BRUSH
- (1) - 22" VAC HEAD (RP-222)
- (1) - 12" x 24" TELESCOPIC POLE
- (1) - 40' (MIN) x 1-1/2" VACUUM HOSE
- (1) - LEAF SKIMMER NET
- (1) - SPARE PUMP STRAINER BASKET
- (1) - 9" SS ALGAE BRUSH

SAFETY EQUIPMENT

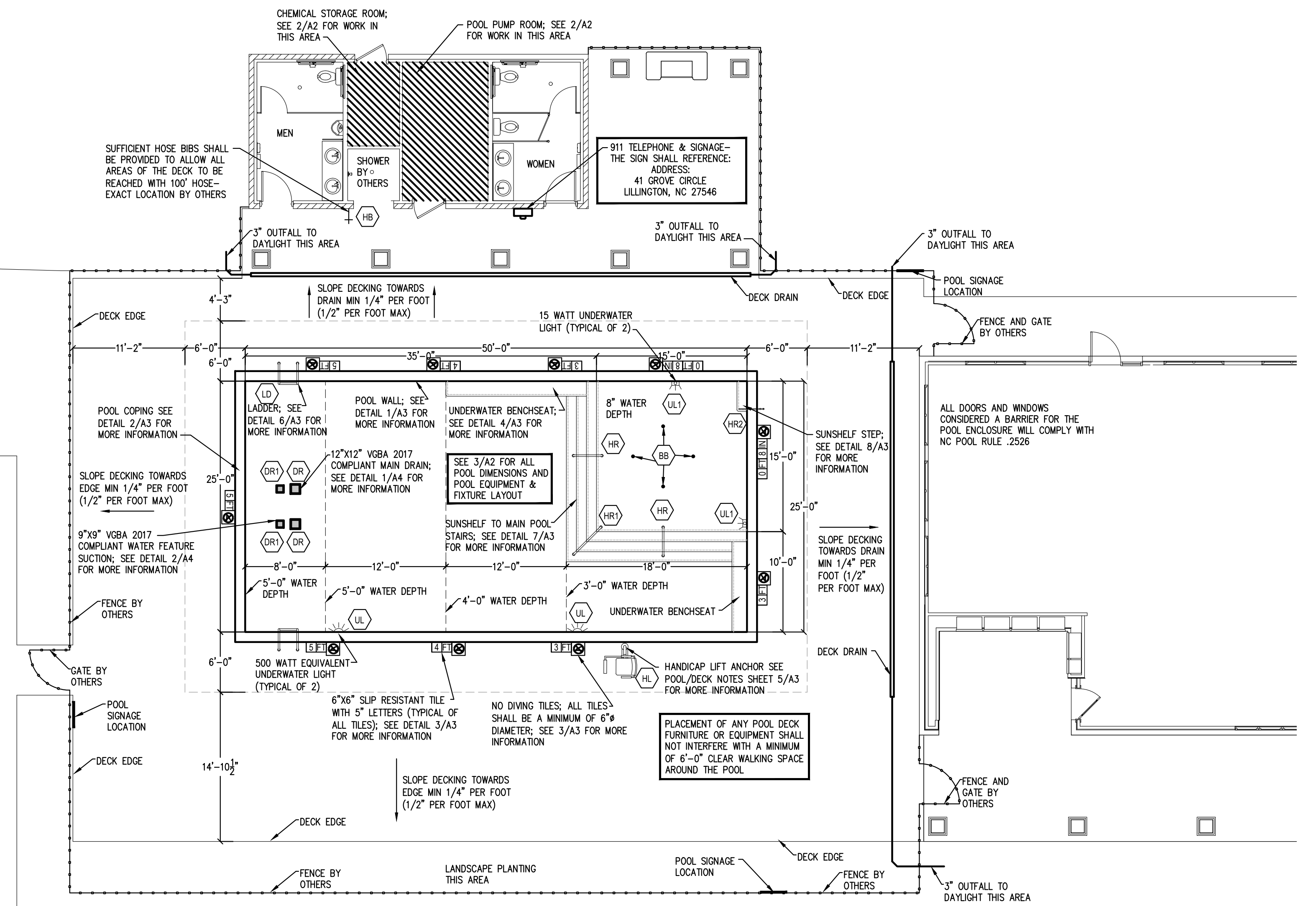
- (1) - 16' STRAIGHT POLE w/ LIFE HOOK ATTACHED
- (1) - 20" CGA LIFE RING w/ 1/4" x 40" THROW ROPE ATTACHED
- (1) - DIRECT DIAL TELEPHONE IN WEATHERPROOF BOX MOUNTED DECKSIDE - SEE POOL & DECK PLAN FOR LOCATION

2 POOL DATA & INFORMATION
A1 SCALE: NOT TO SCALE

1 POOL AND DECK PLAN
A1 SCALE: 1/8" = 1'-0"



3 POOL PROFILE
A1 SCALE: 1/4" = 1'-0"

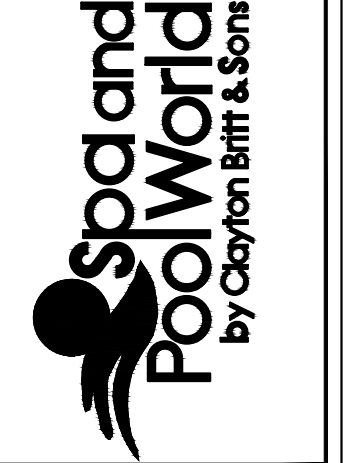


Robert Charles Evans
3204 HAINFORD ROAD, SUITE 102, FAYETTEVILLE, NORTH CAROLINA



07.06.22

CLAYTON BRITT AND SONS, INC.
3703 BRAGG BOULEVARD
FAYETTEVILLE, NORTH CAROLINA 28301
910.868.8319
RICKY BRITT
NC BUILDING LICENSE #365207



OWNERS: HATCHER CREEK LLC.
126 BRANDON DRIVE
LILLINGTON, NC 27546
DATE: JUNE 25TH 2022
SCALE: AS SHOWN
DRAWN: J. PARRISH

SHEET NO:

A1

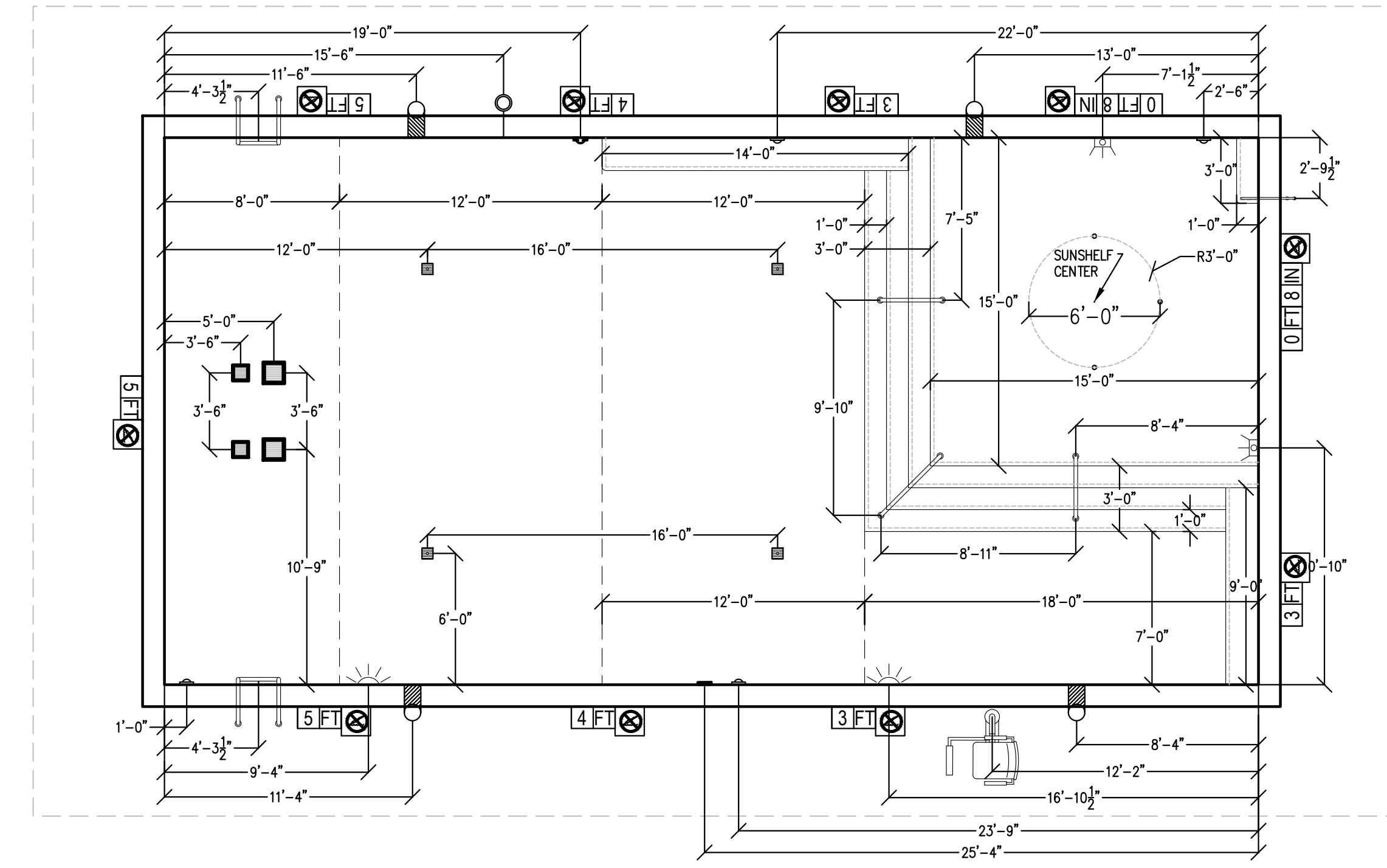
POOL EQUIPMENT SCHEDULE				
TAG	QTY.	MANUFACTURER	MODEL #	FIXTURE DESCRIPTION
A	1	PENTAIR	INTELLIFLO VSF	VARIABLE SPEED/FLOW SELF PRIMING PUMP; 3.0 HP; 127 GPM @ 65.00' ASSUMED TDH WITH INTEGRAL HAIR & LINT STRAINER (NSF); MAXIMUM PUMP FLOW RATE 158 GPM @ 34.50' RDM
A1	1	PENTAIR	SUPERFLO VSF	VARIABLE SPEED/FLOW SELF PRIMING PUMP; 85 GPM @ 50.00' ASSUMED TDH WITH INTEGRAL HAIR & LINT STRAINER (NSF)
B	1	PENTAIR	TR-140C	36" Ø FILTER (7.06 SQ/FT FILTER SURFACE AREA - 140 GPM MAX. - FILTER RATE @ 20 GPM / SQ/FT FILTER SURFACE AREA)
BB	4	CMP	NATURAL WONDERS	1-1/2" BUBBLER; WHITE FINISH; FLUSH MOUNTED; (15 GPM; 7" PLUME HEIGHT IN 8" WATER DEPTH) (20 GPM; 12" PLUME HEIGHT IN 8" WATER DEPTH)
BF	1	WATTS	009M20T	3/4" THRU 2" BACKFLOW PREVENTER (OR EQUIVALENT BY OTHERS)
C	1	PENTAIR	263080	FILTRATION VALVE - FULLFLOWX MULTI-PORT BACKWASH VALVE KIT - SIDE MOUNT PORTS
CC	1	ROLA-CHEM	RC554XP	READY TO MOUNT ORP/pH-CONTROLLER
CT	2	ROLA-CHEM	561415 (TANK AND COVER)	15 GALLON SODIUM HYPOCHLORITE/ACID STORAGE TANK WITH COVER
DR	2	AQUASTAR	12MF101	MAIN DRAIN COVER; 12" X 12" (71.2 SQ./IN. OPEN AREA); VGBA CERTIFIED APSP/ANSI/ICC-16 2017 AND NSF 50-2009A
DR1	2	AQUASTAR	9MF101	WATER FEATURE DRAIN COVER; 9" X 9" (36.8 SQ./IN. OPEN AREA); VGBA CERTIFIED APSP/ANSI/ICC-16 2017 AND NSF 50-2009A
DS	2	ASA	FBS-50-812-4	12"X12" PRE-MANUFACTURED DRAIN SUMP ASSEMBLY
DS	2	ASA	FBS-50-809-3	9"X9" PRE-MANUFACTURED DRAIN SUMP ASSEMBLY
FD	1			FLOOR DRAIN BY OTHERS
FM	1	B/W INDUSTRIES	F30300P	IN-LINE FLOW METER - 3" TOP MOUNT; 45 TO 240 GPM
FM1	1	H2FLOW CONTROLS	FLOWVIS FV-25	IN-LINE HORIZONTAL FLOW METER - 2-1/2" TOP MOUNT WITHIN FACTORY TEE-FITTING; 10 TO 110 GPM
HB	2			3/4" HOSE BIB WITH VACUUM BREAKER - LOCATE AS SHOWN IN EQUIPMENT ROOM & DECKING PLAN
HR	1	S.R. SMITH	2HR-3-065-MG	HANDRAIL- 3" STAINLESS STEEL 2-BEND WITH 2 BRONZE ANCHOR SOCKETS (AS-100B) & 2 ESCUTEONS (EP-100F); MARINE GRADE
HR1	1	S.R. SMITH	2HR-4-065-MG	HANDRAIL- 4" STAINLESS STEEL 2-BEND WITH 2 BRONZE ANCHOR SOCKETS (AS-100B) & 2 ESCUTEONS (EP-100F); MARINE GRADE
HR1	1	S.R. SMITH	F4H-100-MG	FIGURE "4" HANDRAIL- 2-6" STAINLESS STEEL 4-BEND WITH 2 BRONZE ANCHOR SOCKETS (AS-100B) & 2 ESCUTEONS (EP-100F); MARINE GRADE
HV	1	HAYWARD OR EQUAL	SP1056 VALVE OR EQUAL SP1055 TUBE OR EQUAL	HYDROSTATIC RELIEF VALVE ASSEMBLY WITH 2" SLOTTED PVC COLLECTOR TUBE
LD	2	S.R. SMITH	LF-24-38-MG	LADDER - STAINLESS STEEL 3-STEP WITH 2 BRONZE ANCHOR SOCKETS (AS-100B) & 2 ESCUTEONS (EP-100F); SLIP-RESISTANT TREADS; MARINE GRADE
OF	1	HAYWARD	SP1019	POOL WATER OVERFLOW FITTING (2" FIP AND 2" SKT SOCKET DECK DRAIN)
RF	4	PENTAIR	08417-0000	FLOOR RETURN INLET - 1-1/2" INLET FIXTURES WITH ADJUSTABLE NOZZLES
RW	4	HAYWARD	SP-1419C	WALL RETURN INLET - 1-1/2" EYEBALL INLET FIXTURES WITH ADJUSTABLE NOZZLES (ALL EYEBALL FITTINGS TO BE SET AT APPROX. 10" WATER DEPTH)
SK	4	PENTAIR	506300	SKIMMER ASSEMBLY
UL	2	PENTAIR	601302	UNDERWATER WHITE LED POOL LIGHT - 500 WATT EQUIVALENT, UL LISTED, 120 VOLT
UL1	2	PENTAIR	GLO-BRITE 620040	UNDERWATER LED POOL LIGHT -15 WATT, UL LISTED, 12 VOLT, GFCI, TO INCLUDE 120V TO 12V TRANSFORMER
VP	1	CMP	25505-000-000	VOB COMPLIANT 2" POOL VACUUM PORT TO INCLUDE CMP "VAC LOCK"
WL	1	PENTAIR	T40-FW	1" WATER LEVEL CONTROLLER - AUTOMATIC POOL WATER FILL AND WATER LEVEL CONTROLLER
SIGN	2	RAINBOW	#R234100 (NC)	POOL RULES SIGN
SIGN	3	RAINBOW	#R230600	NO DIVING SIGN
SIGN	3	RAINBOW	#R235100	NO LIFEGUARD SIGN
SIGN	2	NASSCO	#33631014115	PLEASE SHOWER BEFORE ENTERING POOL

POOL DATA	
POOL AREA (50'-0" X 25'-0"; 3'-0" - 5'-0" DEEP)	1250 SQ/FT
POOL PERIMETER	150 LINEAR FEET
POOL VOLUME	3045 GALLONS
MINIMUM FILTRATION CYCLE (6.0 HOURS)	84 GPM
DESIGN FILTRATION CYCLE (3.95 HOURS)	127 GPM
MINIMUM FILTER AREA (Ø 20 GPM/SF SURFACE AREA)	4.20 SQ/FT
DESIGN FILTER AREA (Ø 4000 GPM/SF SURFACE AREA)	7.06 SQ/FT
COMBINED POOL AND DECK AREA	4742 SQ/FT
NET DECK AREA	3492 SQ/FT
POOL OCCUPANCY LIMIT	83 PERSONS
POOL LIGHTING REQUIRED (SQ/FT X 0.5 WATTS)	625 WATTS
POOL LIGHTING PROVIDED	1030 WATTS
CHEMICAL STORAGE (12.00 SQ/FT MINIMUM REQUIRED)	43 SQ/FT PROVIDED

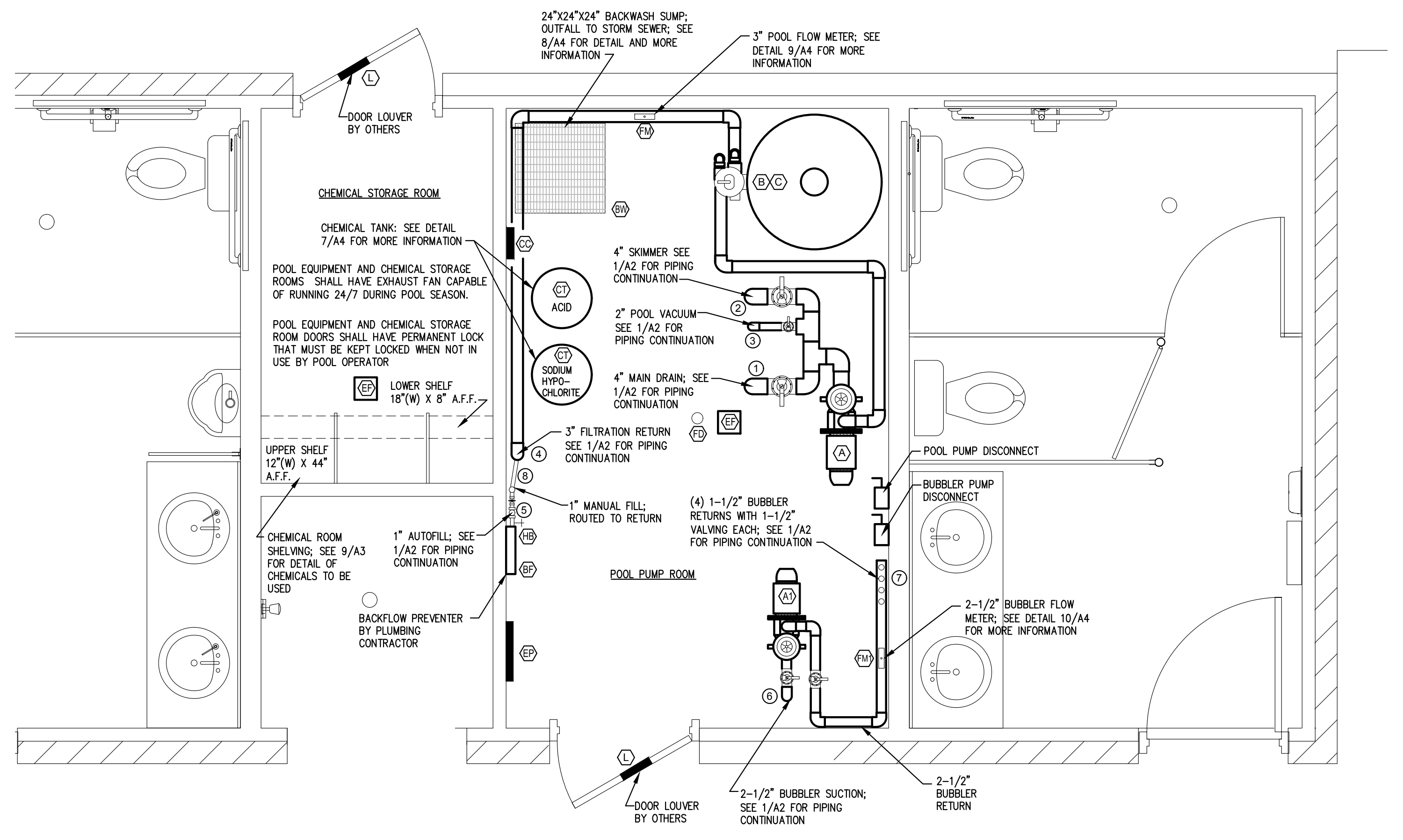
NIGHT SWIMMING NOT ALLOWED

POOL PUMP ROOM PIPING KEY	
TAG	DESCRIPTION
①	4" MAIN DRAIN WITH PVC BALL VALVE
②	4" SKIMMER WITH PVC BUTTERFLY VALVE
③	2" VACUUM WITH PVC BALL VALVE
④	3" RETURN
⑤	1" AUTO FILL LINE (DOMESTIC WATER SUPPLY BY G.C.)
⑥	2-1/2" WATER FEATURE SUCTION
⑦	1-1/2" WATER FEATURE RETURN
⑧	1" MANUAL POOL FILL CONNECT TO POOL RETURN

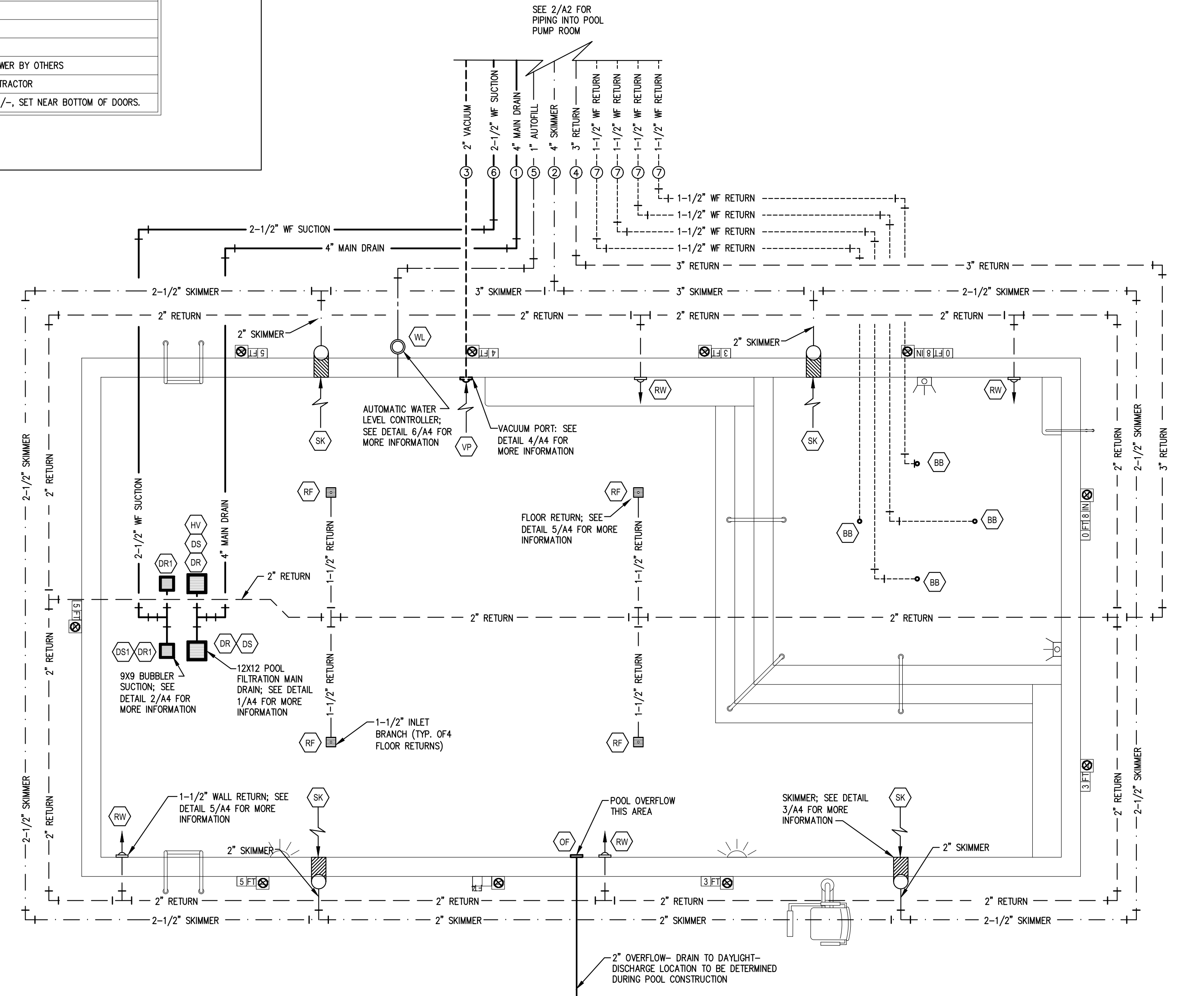
POOL PUMP ROOM EQUIPMENT KEY	
TAG	DESCRIPTION
A	PENTAIR INTELLIFLO VSF CIRCULATION PUMP
A1	PENTAIR SUPERFLO VSF BUBBLER PUMP
B	36" HI-RATE SAND FILTER PENTAIR TR-140C
BF	BACKFLOW PREVENTER BY G.C.
BW	24" X 24" X 24" BACKWASH SUMP W/ 4" OUTFALL TO STORM SEWER
C	2" MULTI-PORT SELECTOR VALVE
CC	CHEMICAL CONTROLLER
CT	15 GAL HDPE CHEMICAL TANK
EF	POWER EXHAUST VENTILATORS (2) BY OTHERS
EP	ELECTRICAL PANEL BY OTHERS
FM	3" POOL FLOW METER
FM1	2-1/2" BUBBLER FLOW METER
FD	3" FLOOR DRAIN TO SANITARY SEWER BY OTHERS
HB	3/4" HOSE BIB BY GENERAL CONTRACTOR
L	LOUVERS IN DOORS 12" X 12" +/-, SET NEAR BOTTOM OF DOORS.



3 A2 POOL EQUIPMENT/FIXTURE LAYOUT
SCALE: 3/16" = 1'-0"



2 A2 PUMP/CHEMICAL STORAGE ROOMS
SCALE: 1/2" = 1'-0"



1 A2 POOL PIPING PLAN
SCALE: 1/4" = 1'-0"

Robert Charles Evans
 2004 HAYWARD ROAD, SUITE 108, FAYETTEVILLE, NORTH CAROLINA
 ROBERT C. EVANS
 REGISTERED ARCHITECT
 6530
 NORTH CAROLINA
 FAYETTEVILLE, N.C.
 07.06.22

CLAYTON BRITT AND SONS, INC.
 3703 BRAGG BOULEVARD
 FAYETTEVILLE, NORTH CAROLINA 28301
 910.868.8319
 RICKY BRITT
 NC BUILDING LICENSE #365207

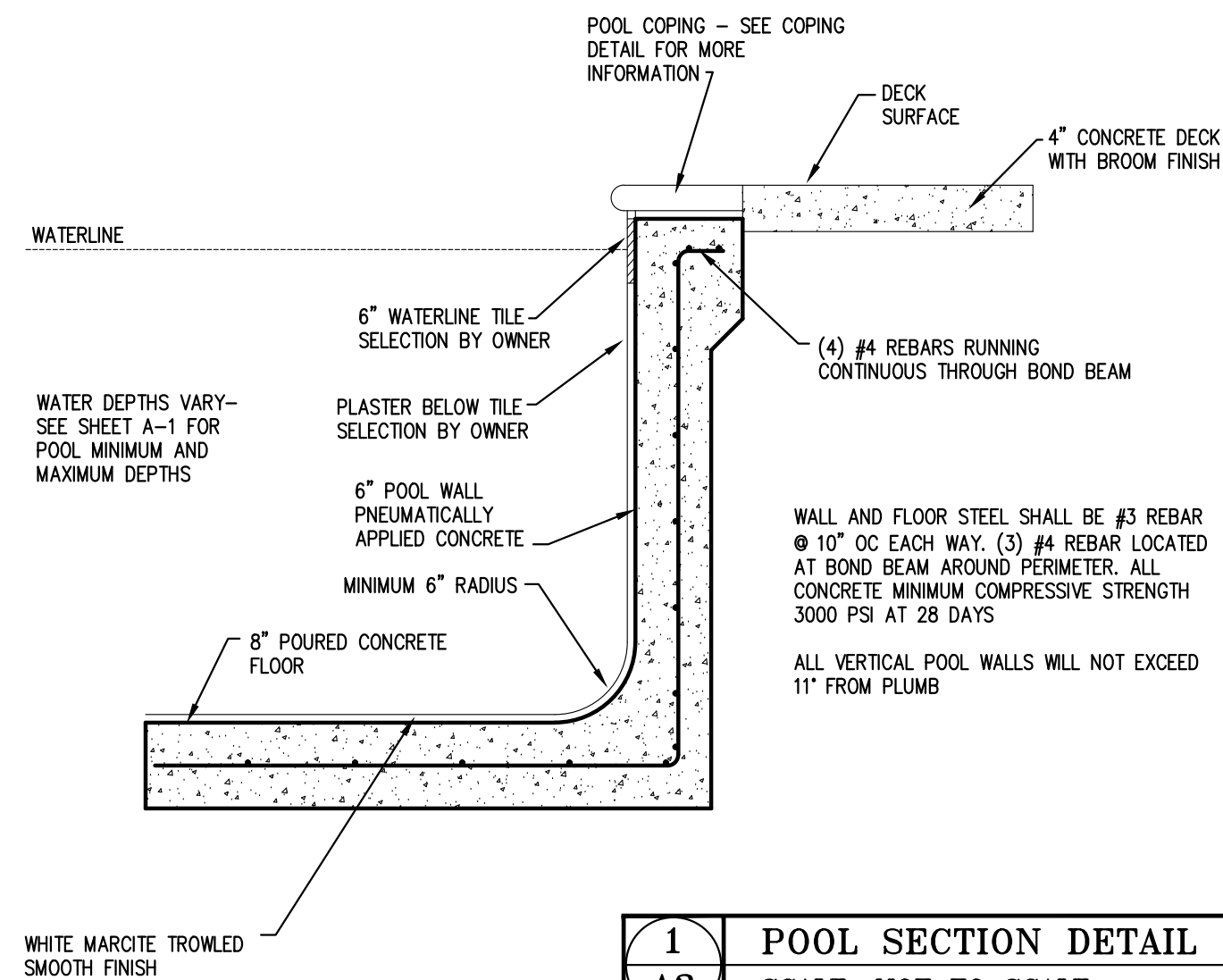
Spad and Pool World
 by Clayton Britt & Sons

OWNERS:
 HATCHER CREEK LLC.
 126 BRANDON DRIVE
 LILLINGTON, NC 27546

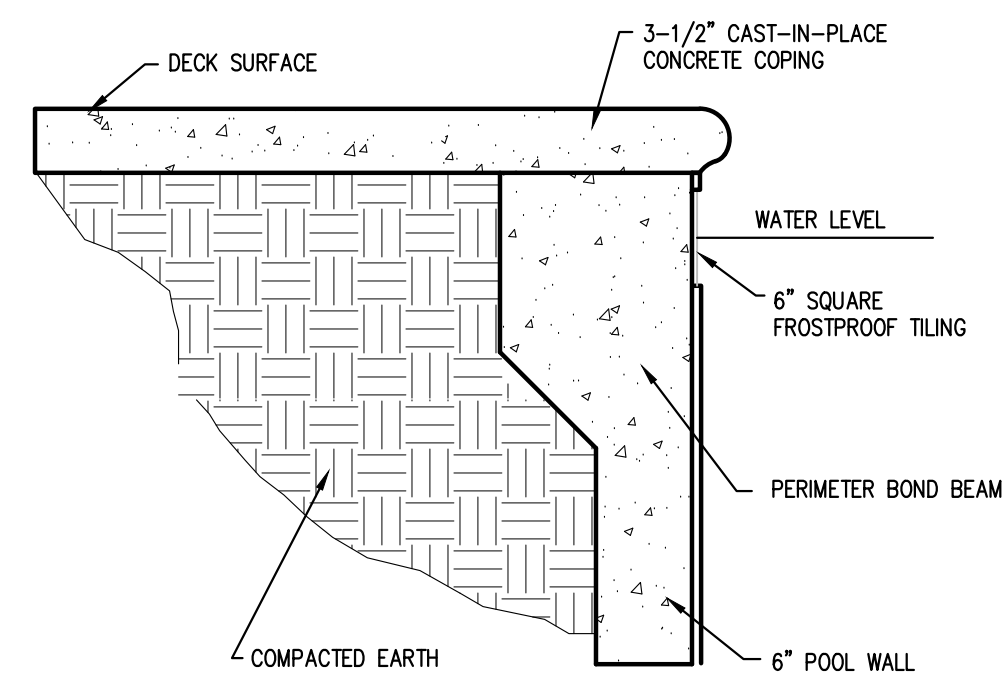
LOCATION:
 THE GROVE AT 421
 61 GROVE CIRCLE
 LILLINGTON, NC 27546

REVISIONS:
 DATE: JUNE 25TH 2022
 AS SHOWN
 DRAWN: J. PARRISH

SHEET NO:
A2

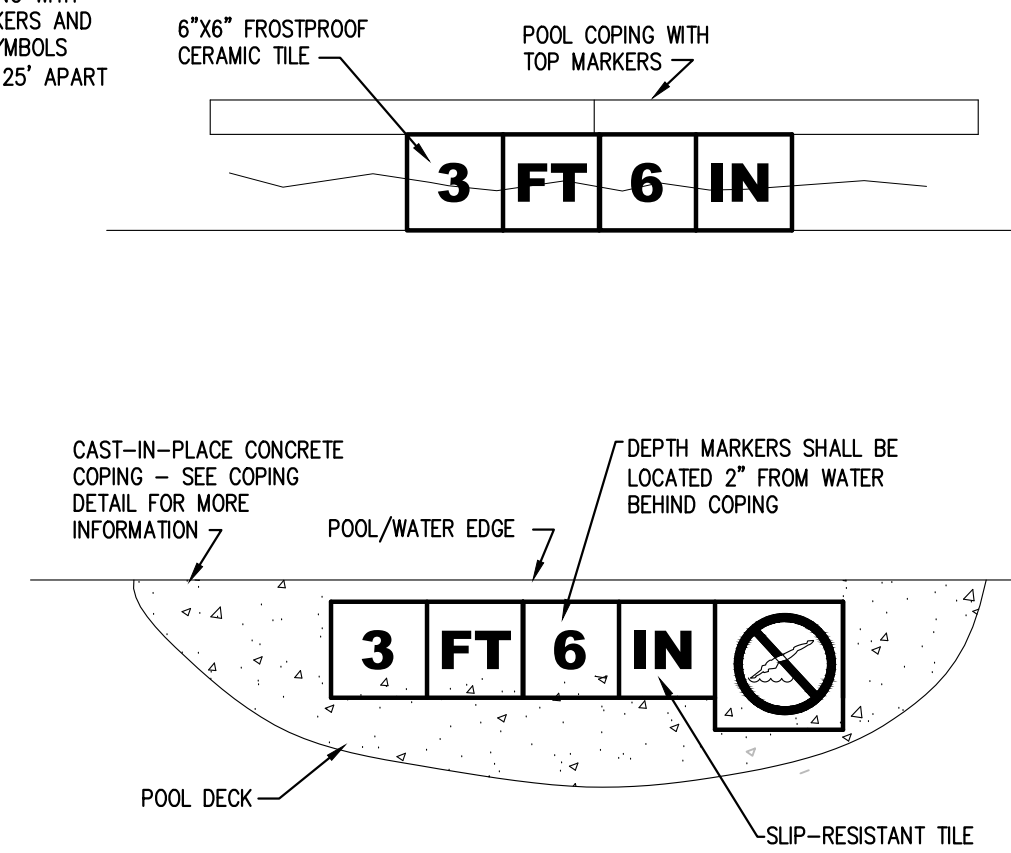


1 POOL SECTION DETAIL
A3 SCALE: NOT TO SCALE

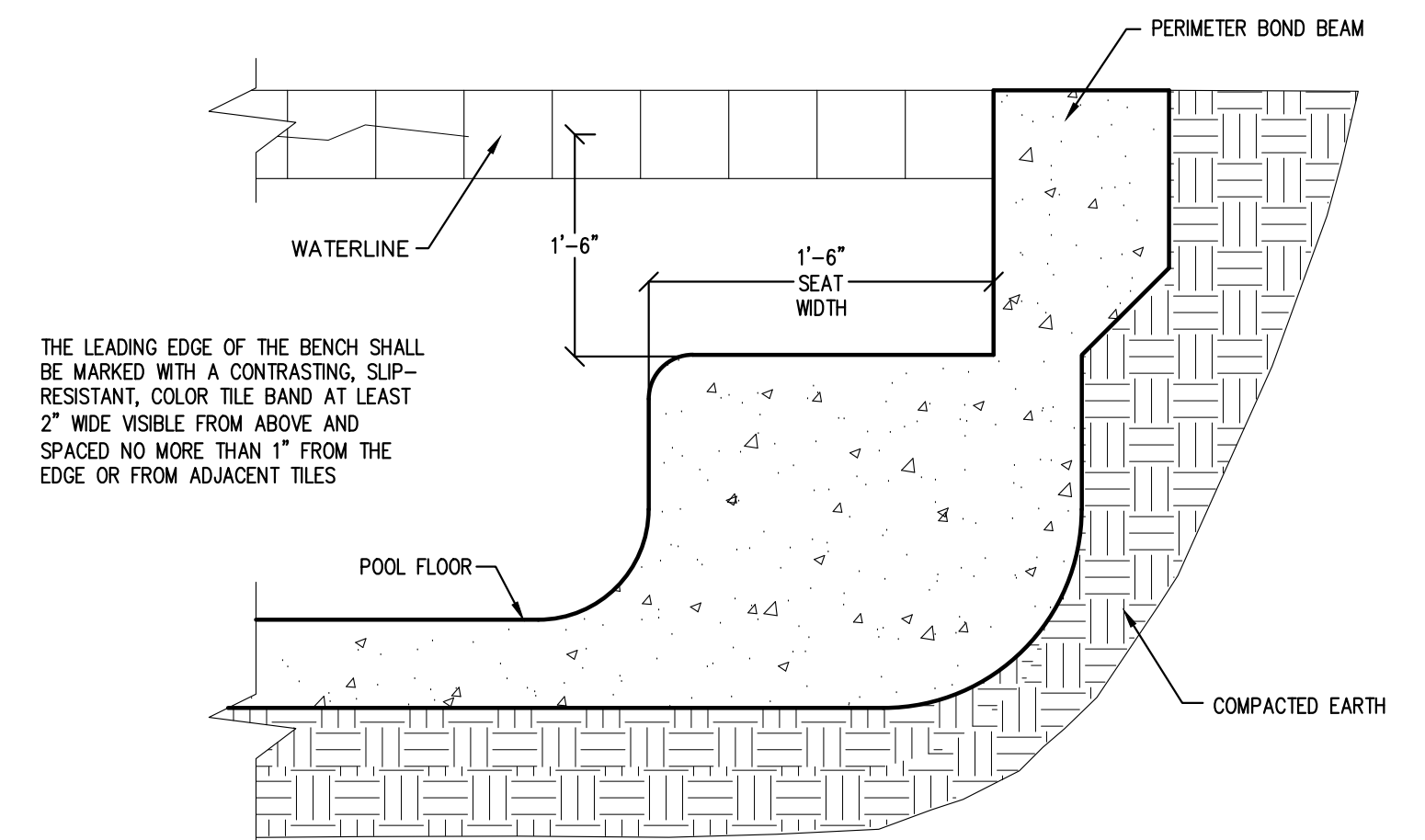


2 COPING DETAIL
A3 SCALE: NOT TO SCALE

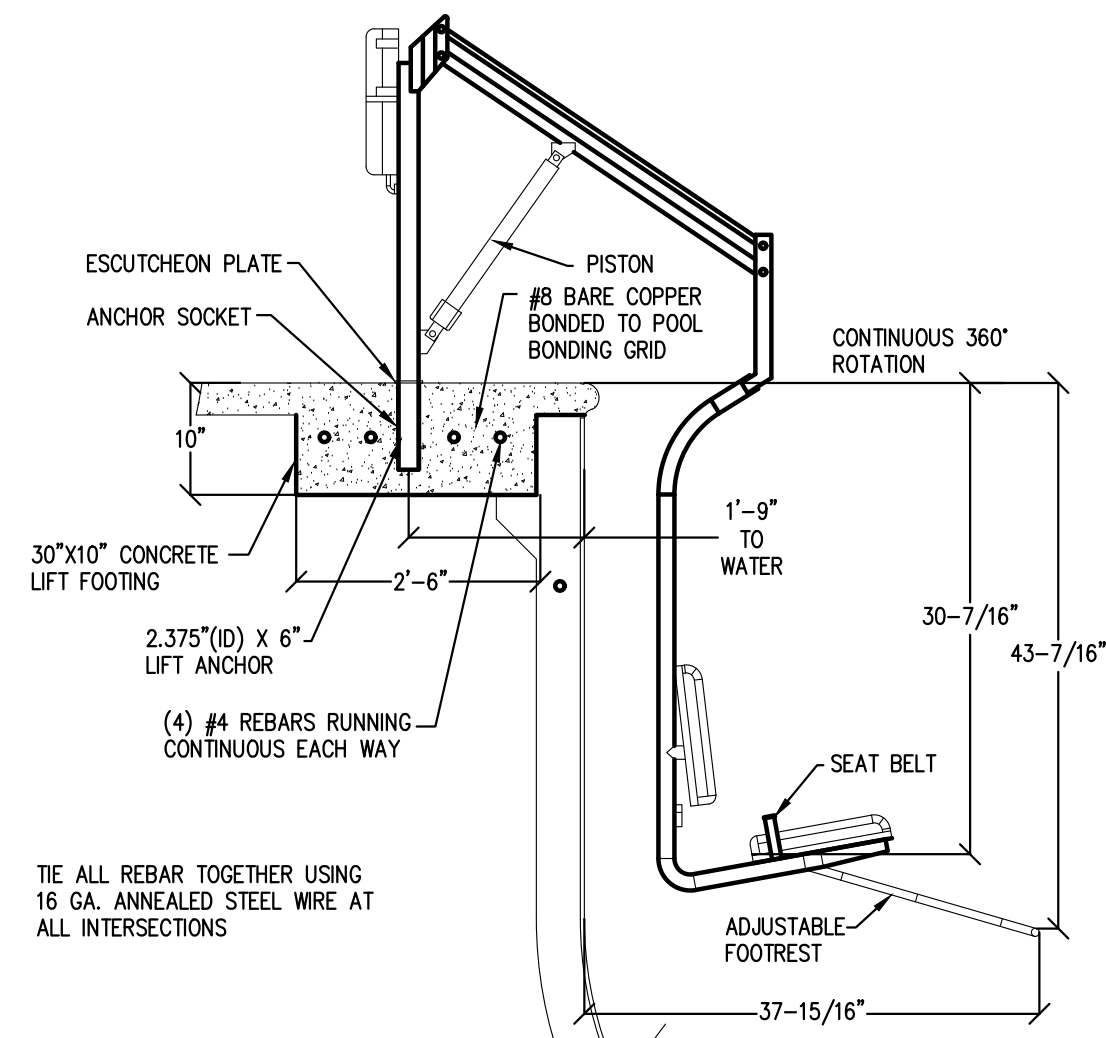
DEPTH MARKERS SHALL BE PROVIDED ON THE DECK (NON-SKID) AT MAX AND MIN DEPTHS. BREAK BETWEEN DEEP AND SHALLOW PORTIONS AND AT INTERMEDIATE INCREMENTS. DEPTH MARKERS SHALL BE MINIMUM 4" HIGH AND OF COLOR CONTRASTING WITH BACKGROUND. DEPTH MARKERS AND INTERNATIONAL NO DIVE SYMBOLS SHALL BE NO MORE THAN 25' APART



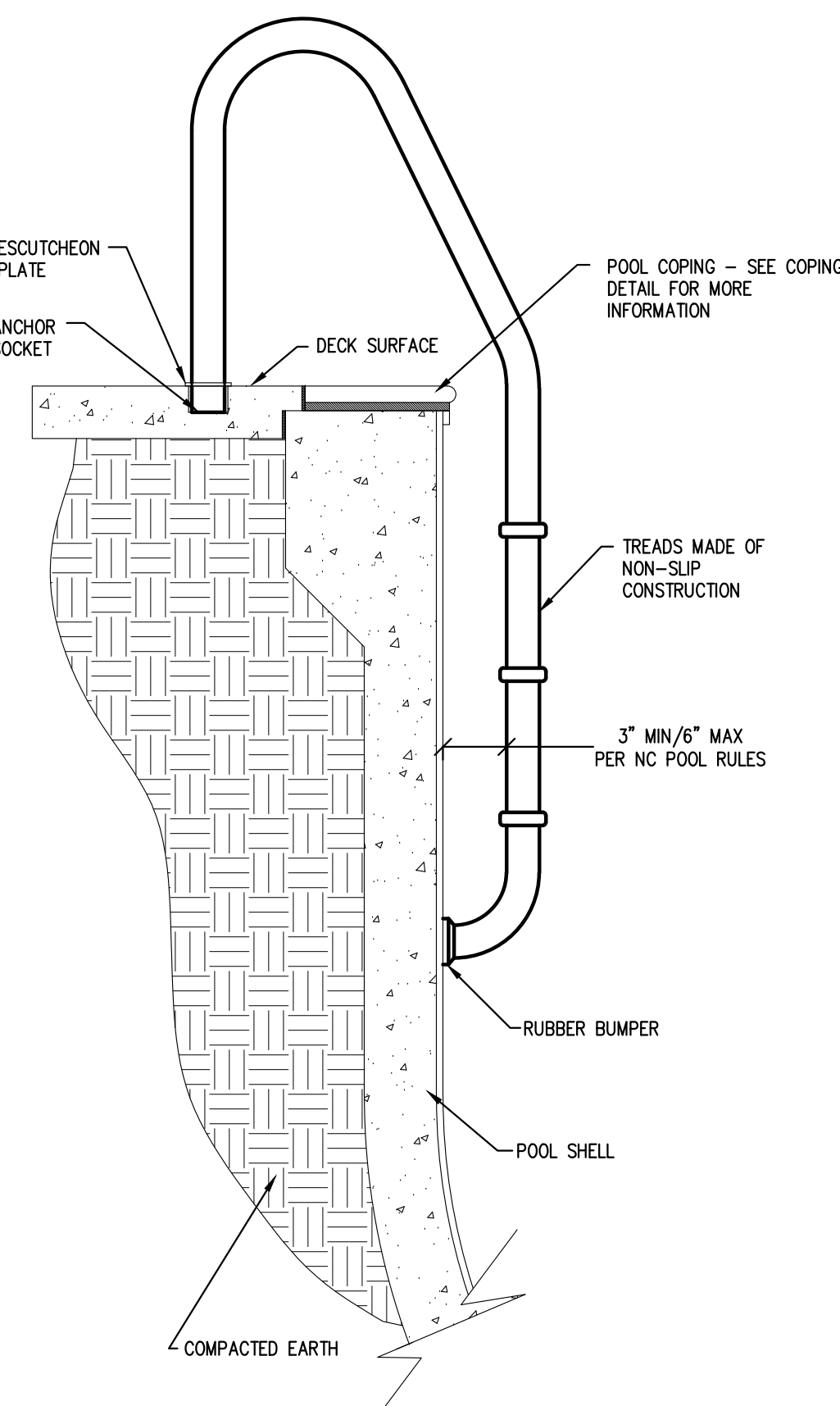
3 DEPTH MARKER DETAIL
A3 SCALE: NOT TO SCALE



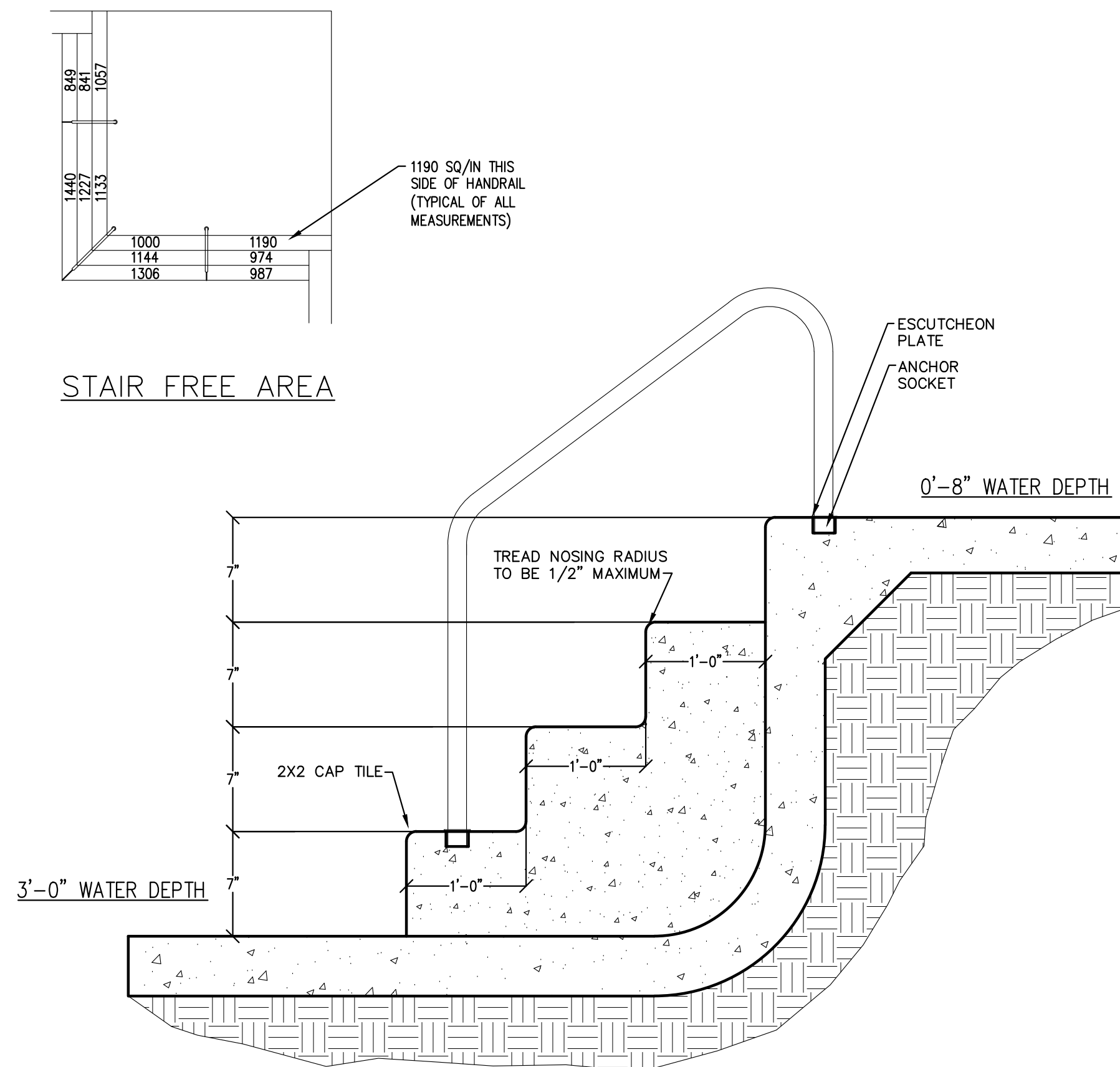
4 UNDERWATER BENCH SEAT DETAIL
A3 SCALE: NOT TO SCALE



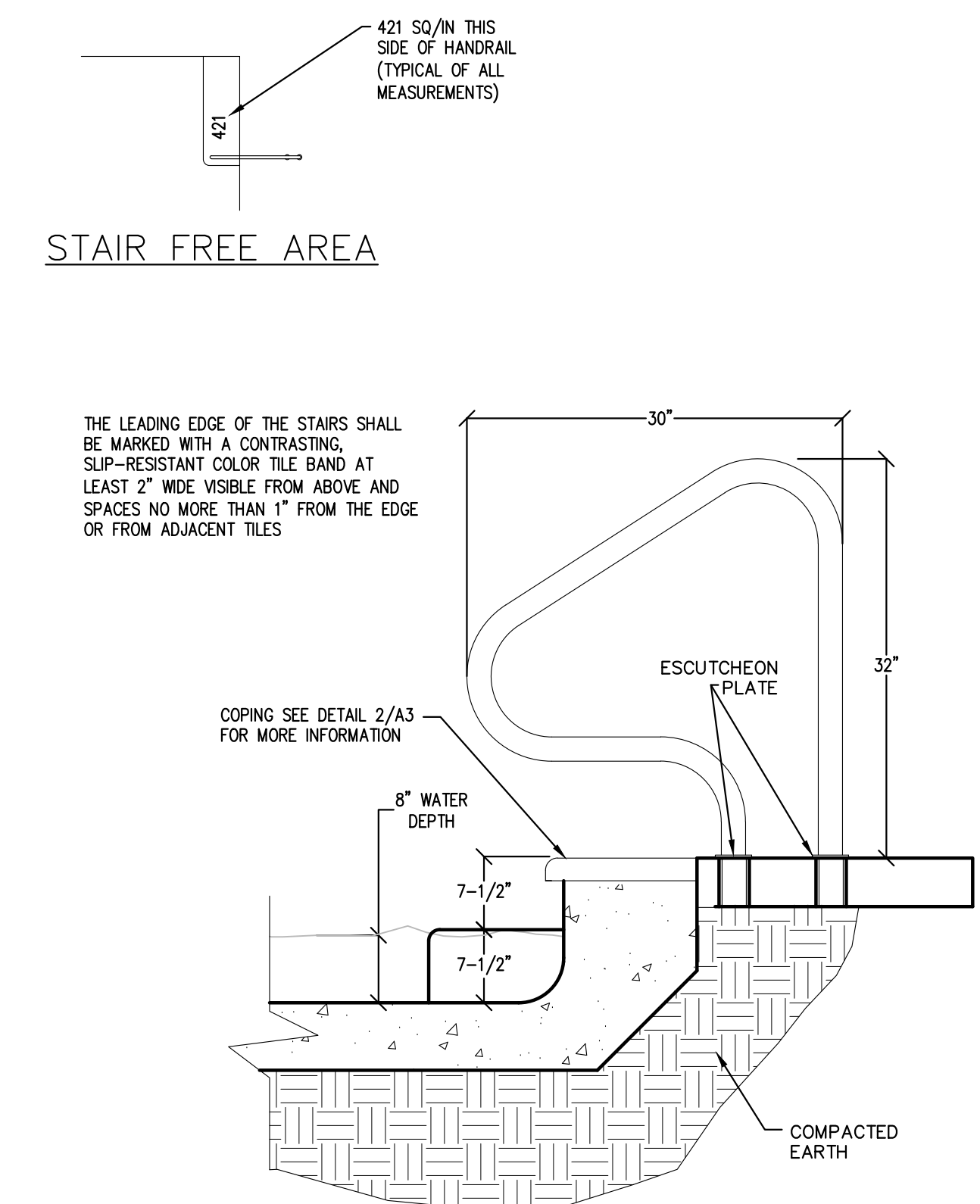
5 HANDICAP LIFT DETAIL
A3 SCALE: NOT TO SCALE



6 LADDER DETAIL
A3 SCALE: NOT TO SCALE



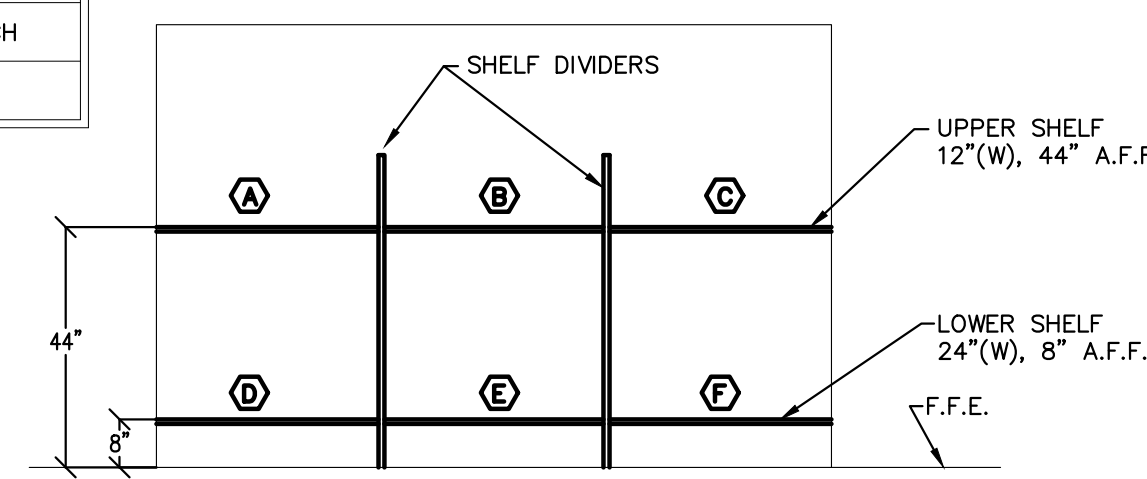
7 SUNSHELF TO MAIN POOL DETAIL
A3 SCALE: NOT TO SCALE



8 SUNSHELF STEP DETAIL
A3 SCALE: NOT TO SCALE

CHEMICAL ROOM SHELVING LAYOUT			
TAG	ITEM TYPE	ITEM DESCRIPTION	QUANTITY
A	MISC. SUPPLIES	MISC. SUPPLIES	VARIES
B	ANCILLARIES	GLB ALGIMYCIN 2000, STAINTRINE, ROBARB SUPER BLUE	1 GAL, 1 GAL, 1/2 GAL
C	MISC. SUPPLIES	TEST KITS, THERMOMETERS, CYANURIC ACID	N/A, N/A, 8 LBS
D	OXIDIZER	CALCIUM HYPOCHLORITE	100 LBS
E	PH LOWERING CHEMICALS	MURIATIC ACID	4 GALLONS
F	OXIDIZER	PROTEAM 3 PURETABS (TRICHLOR TABS)	100 LBS
G	BALANCING CHEMICALS	SODIUM BICARBONATE, SODA ASH, CALCIUM CHLORIDE	50 LBS BAGS EACH

SHELVING & DIVIDERS: WOODEN CONSTRUCTION



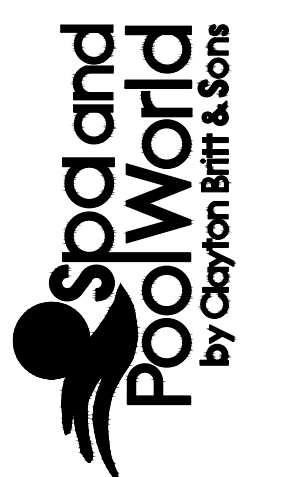
9 CHEMICAL ROOM SHELVING DETAIL
A3 SCALE: NOT TO SCALE

Robert Charles Evans
2804 HAYWARD ROAD, SUITE 108, FAYETTEVILLE, NORTH CAROLINA



07.06.22

CLAYTON BRITT AND SONS, INC.
3703 BRAGG BOULEVARD
FAYETTEVILLE, NORTH CAROLINA 28301
910.868.8319
RICKY BRITT
NC BUILDING LICENSE #36507



OWNER: HATCHER CREEK LLC.
126 BRANDON DRIVE
LILLINGTON, NC 27546

LOCATION: THE GROVE AT 421
61 GROVE CIRCLE
LILLINGTON, NC 27546

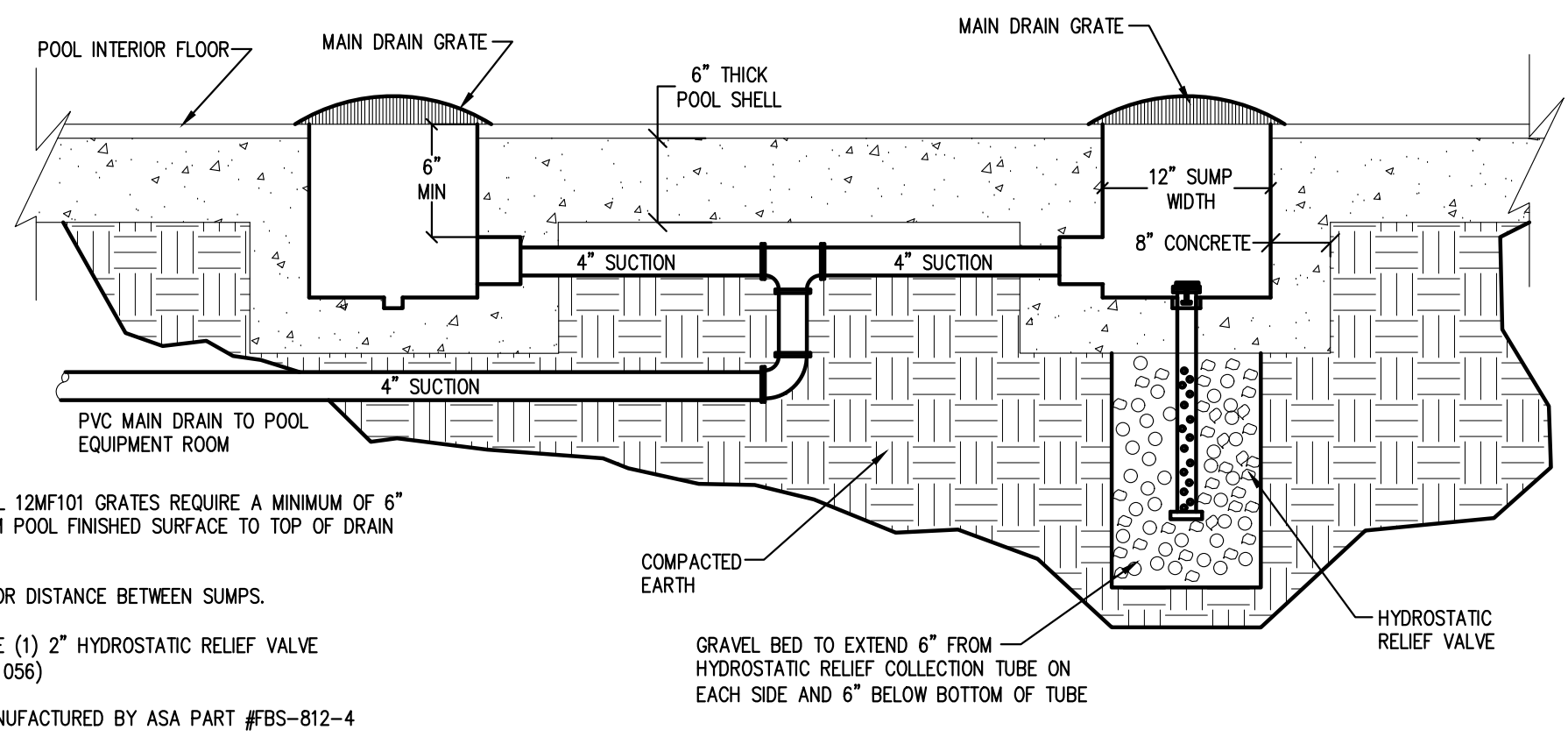
DATE: JUNE 25TH 2022

SCALE: AS SHOWN

DRAWN: J. PARRISH

SHEET NO:

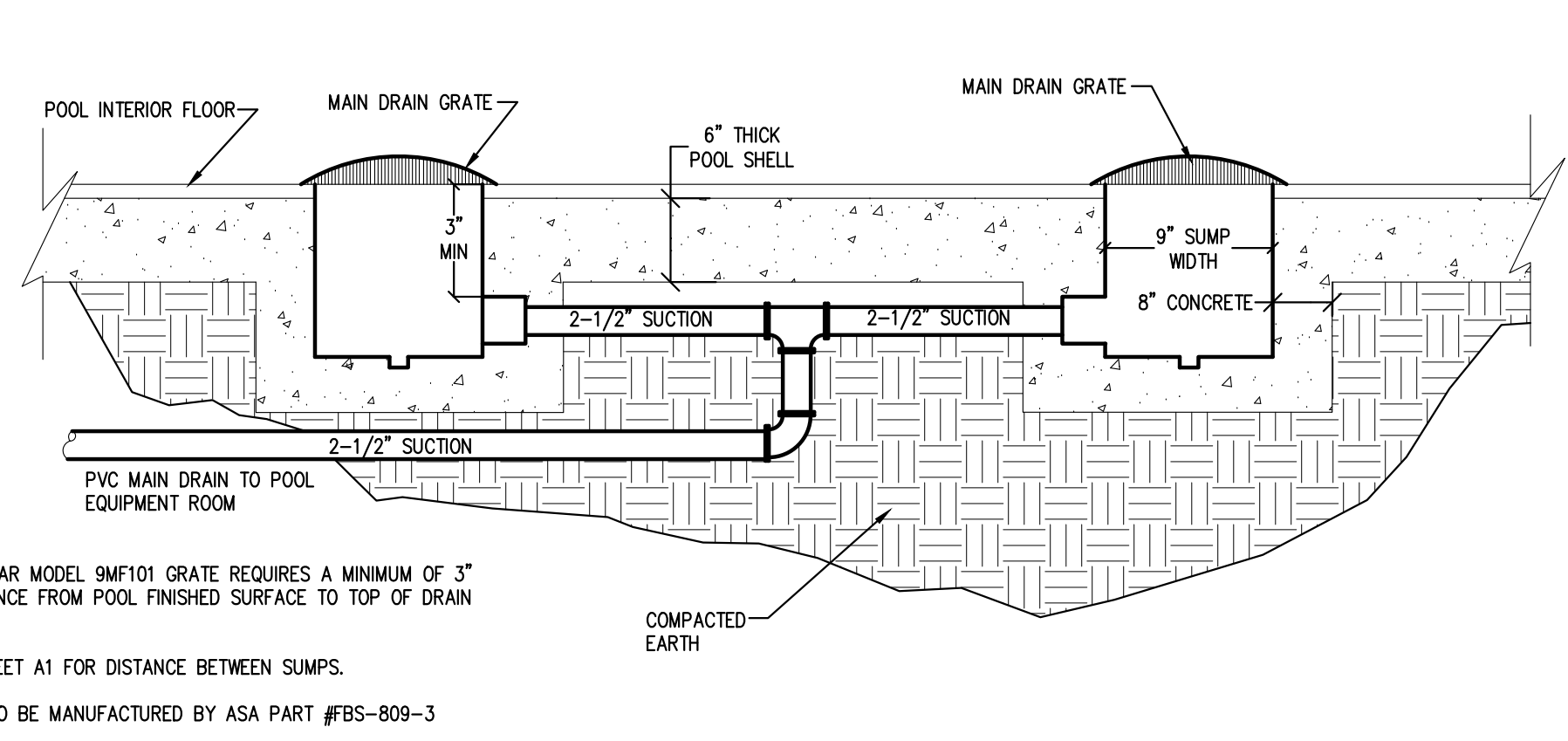
A3



AQUASTAR MODEL 12MF101 GRATES REQUIRE A MINIMUM OF 6" CLEARANCE FROM POOL FINISHED SURFACE TO TOP OF DRAIN PIPE.
SEE SHEET P1 FOR DISTANCE BETWEEN SUMPS.
POOL TO INCLUDE (1) 2" HYDROSTATIC RELIEF VALVE (HAYWARD #SP-1056)
SUMP TO BE MANUFACTURED BY ASA PART #FBS-812-4

TAG	SIZE	SERVICE	DRAIN OPENING	PIPE SIZE	MIN/DESIGN PIPE DISTANCE FROM FINISHED POOL FLOOR	PART NUMBER
DR	12"x12"	MAIN DRAIN	71.2 SQ/IN OPEN AREA: SOFA FLOW RATING 540 GPM SOFA MODEL 12MF-12F_A-4S, 2.58_B6_C0.3_D0.7_E3_F16	4"	6" MIN / 6.5" DESIGN	AQUASTAR 12MF101

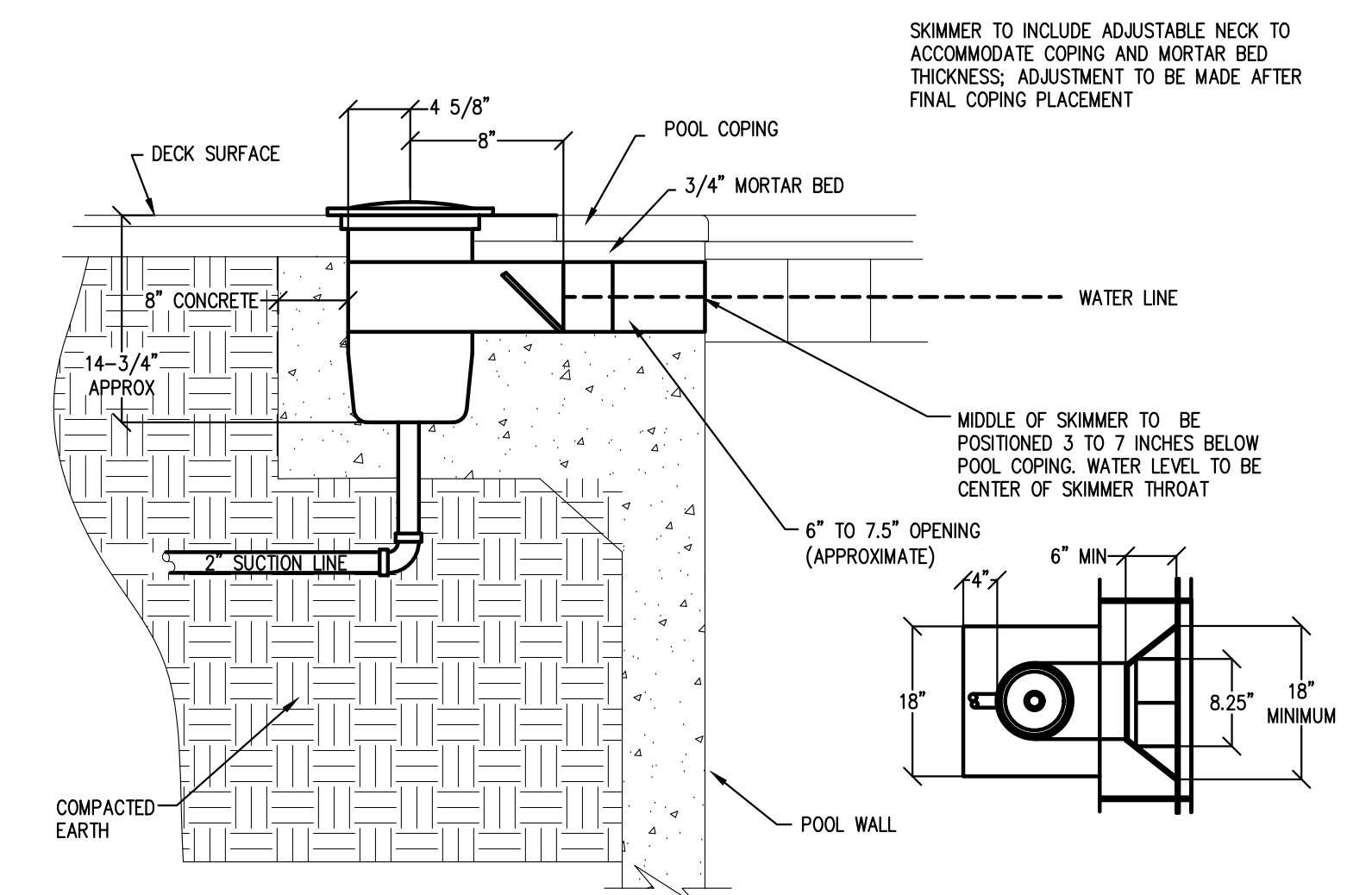
1 MAIN DRAIN/HYDROSTATIC RELIEF DETAIL
SCALE: NOT TO SCALE



AQUASTAR MODEL 9MF101 GRATE REQUIRES A MINIMUM OF 3" CLEARANCE FROM POOL FINISHED SURFACE TO TOP OF DRAIN PIPE.
SEE SHEET A1 FOR DISTANCE BETWEEN SUMPS.
SUMP TO BE MANUFACTURED BY ASA PART #FBS-809-3

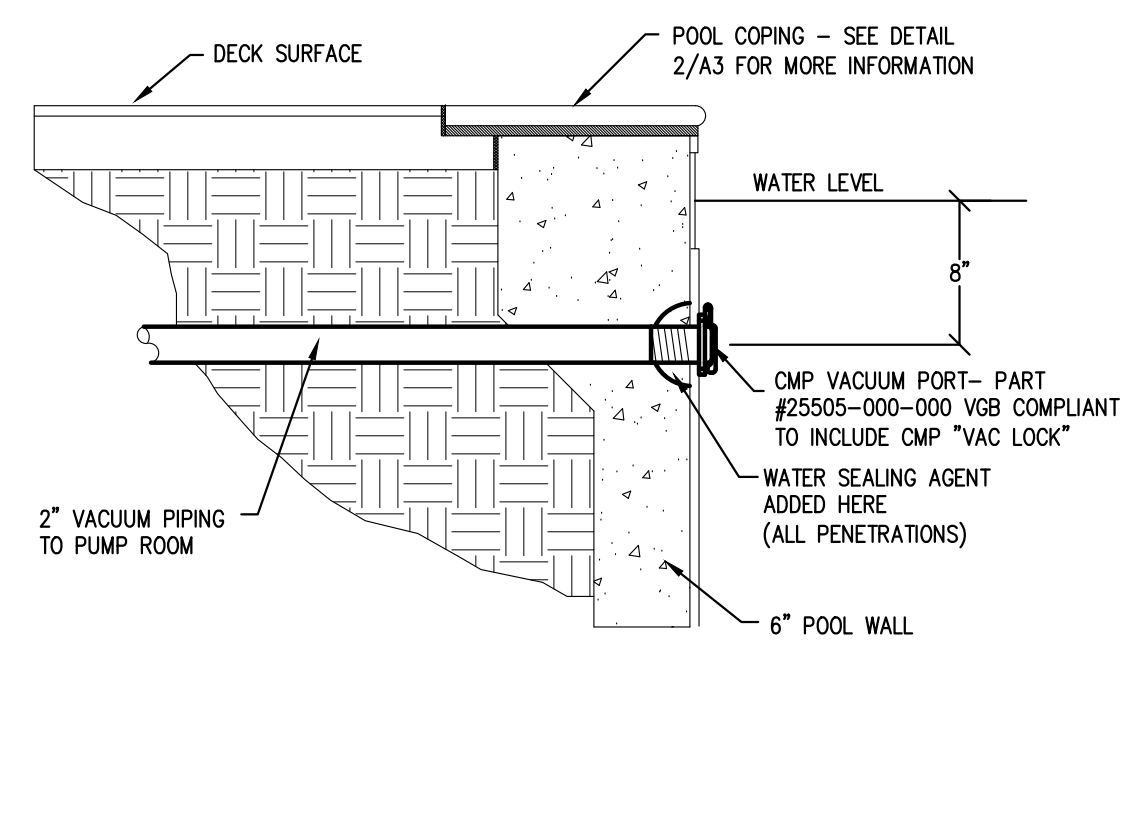
TAG	SIZE	SERVICE	DRAIN OPENING	PIPE SIZE	MIN/DESIGN PIPE DISTANCE FROM FINISHED POOL FLOOR	PART NUMBER
DR1	9"x9"	WATER FEATURE SUCTION	36.8 SQ/IN OPEN AREA: SOFA FLOW RATING 186 GPM SOFA MODEL 9MF-9F_A-2.58_B3_C1.6_D0.5_E2.6_F16	2-1/2"	3" MIN / 3.5" DESIGN	AQUASTAR 9MF101

2 WATER FEATURE SUCTION DETAIL
SCALE: NOT TO SCALE

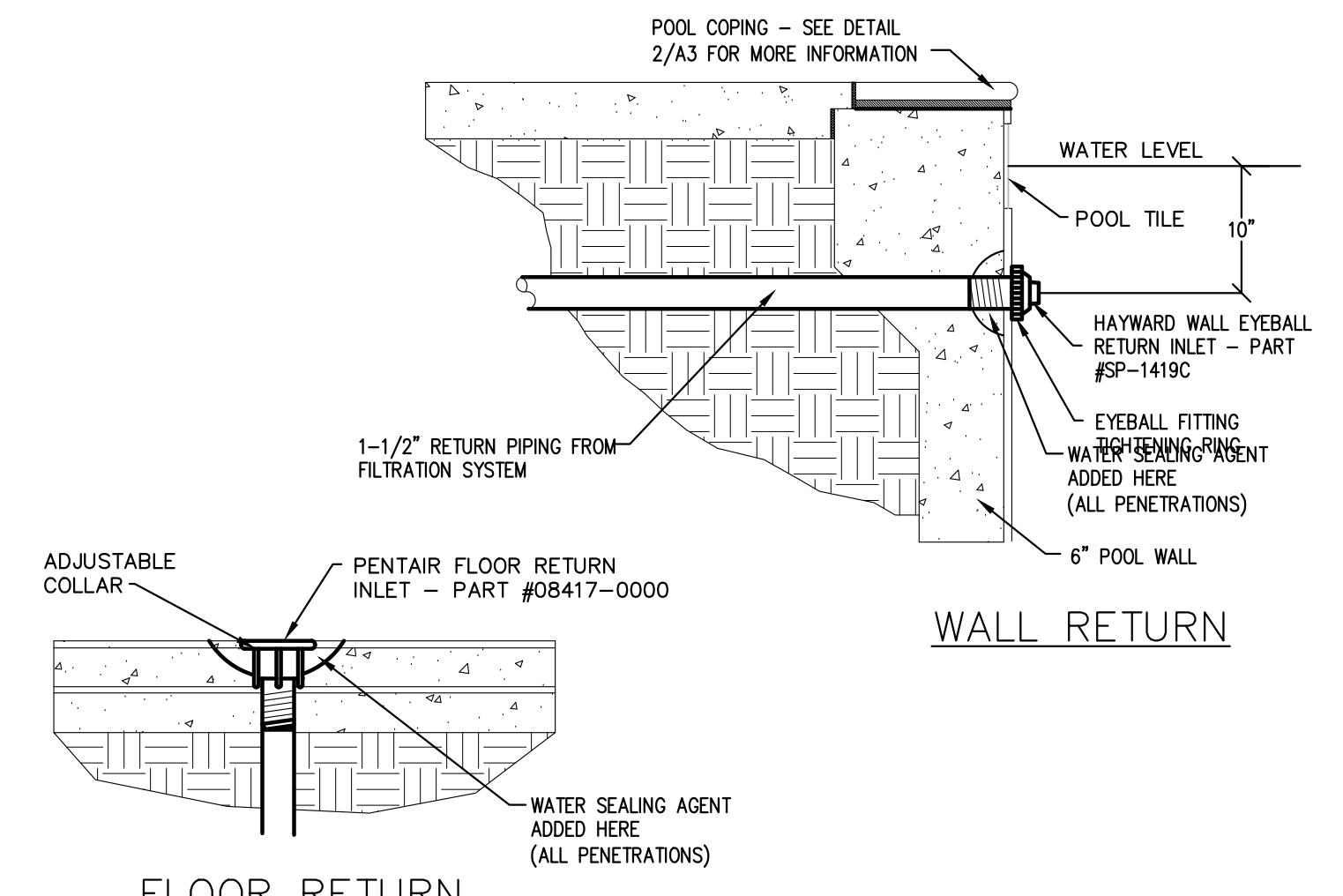


SKIMMER TO INCLUDE ADJUSTABLE NECK TO ACCOMMODATE COPING AND MORTAR BED THICKNESS. ADJUSTMENT TO BE MADE AFTER FINAL COPING PLACEMENT

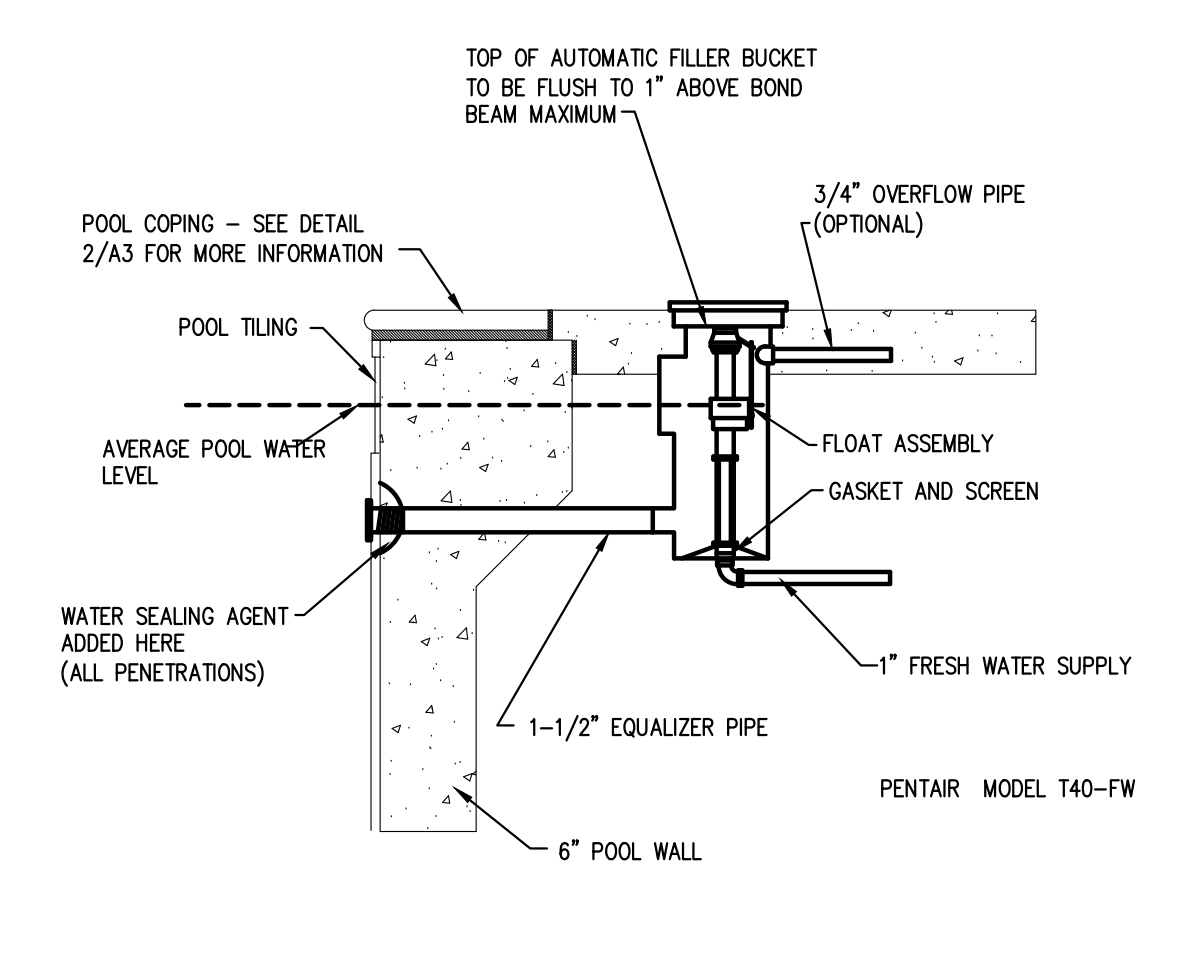
3 SKIMMER DETAIL
SCALE: NOT TO SCALE



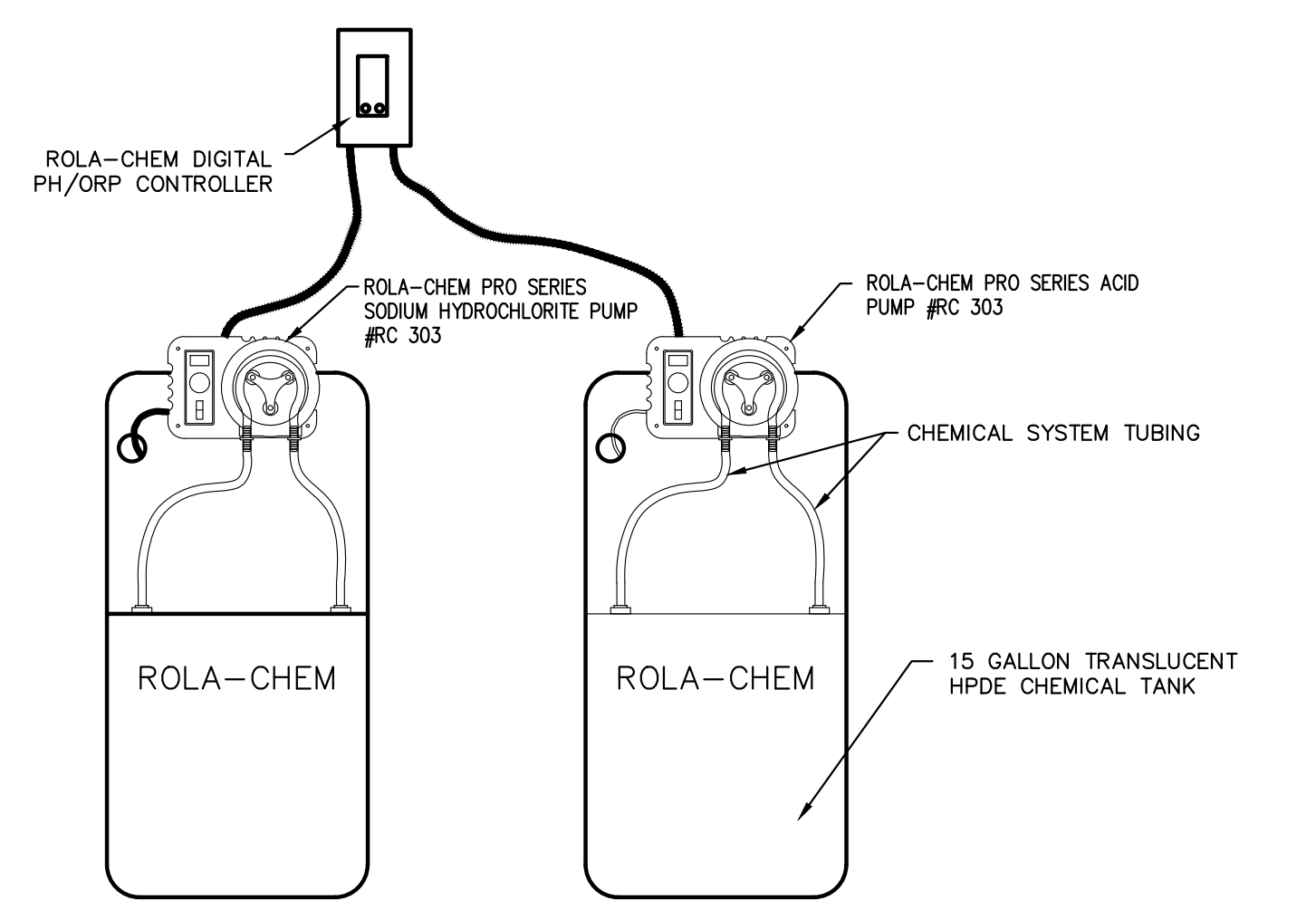
4 VACUUM DETAIL
SCALE: NOT TO SCALE



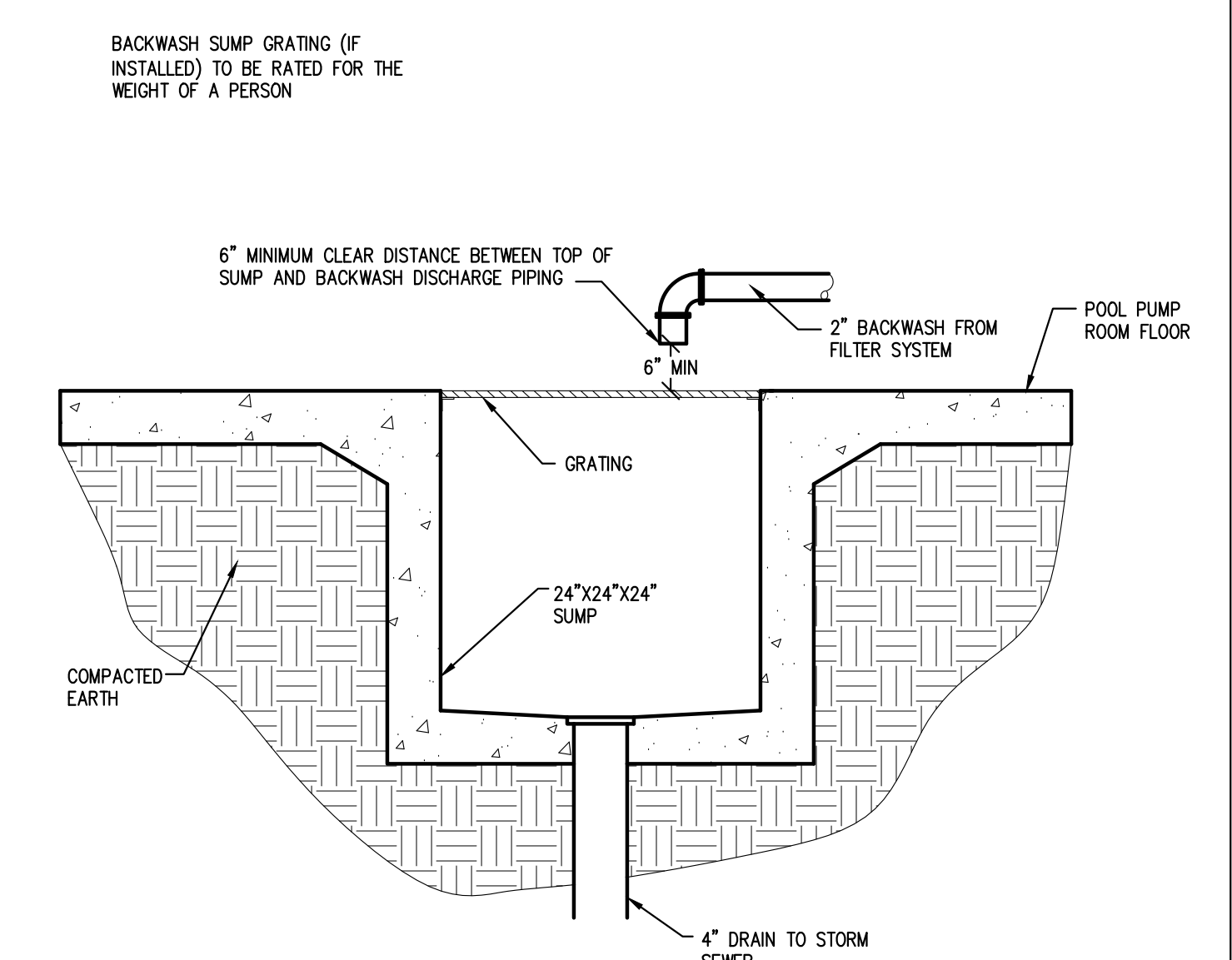
5 WALL & FLOOR RETURN DETAIL
SCALE: NOT TO SCALE



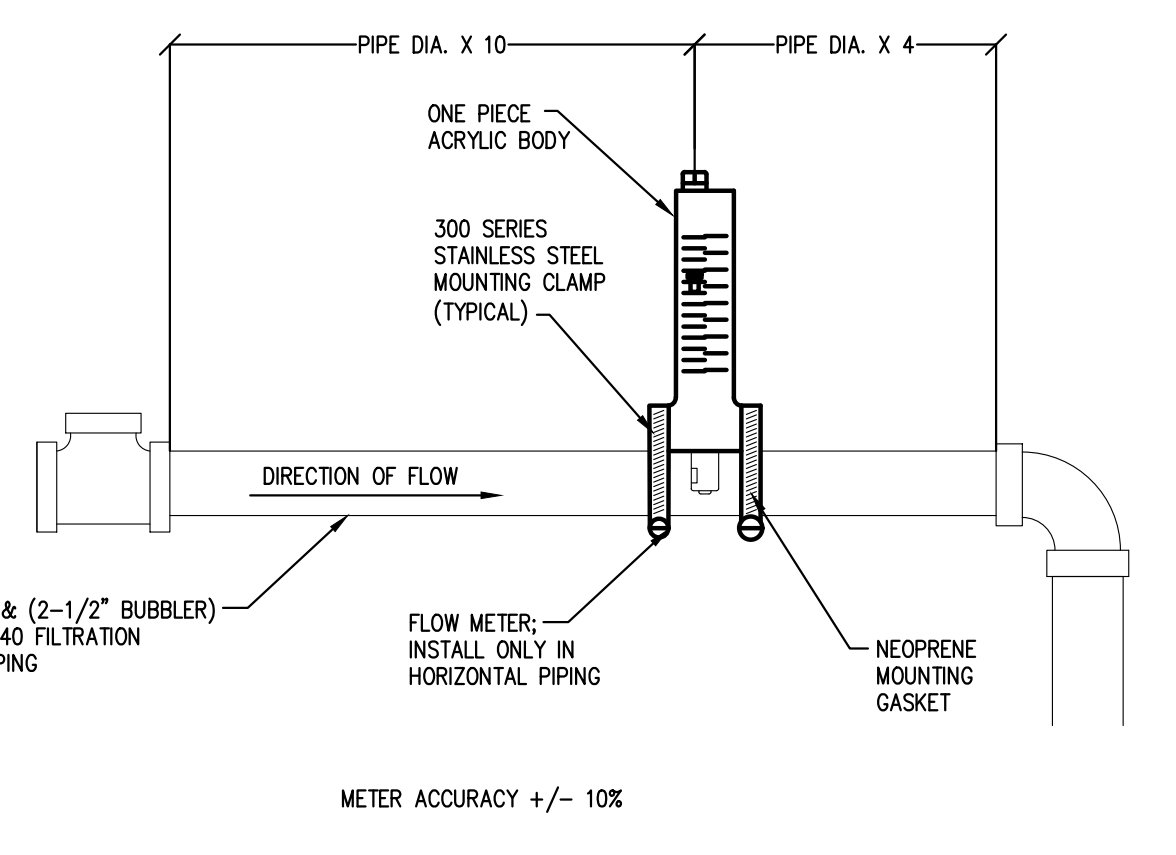
6 AUTOMATIC WATER FILL DETAIL
SCALE: NOT TO SCALE



7 2 TANK SANITATION DETAIL
SCALE: NOT TO SCALE

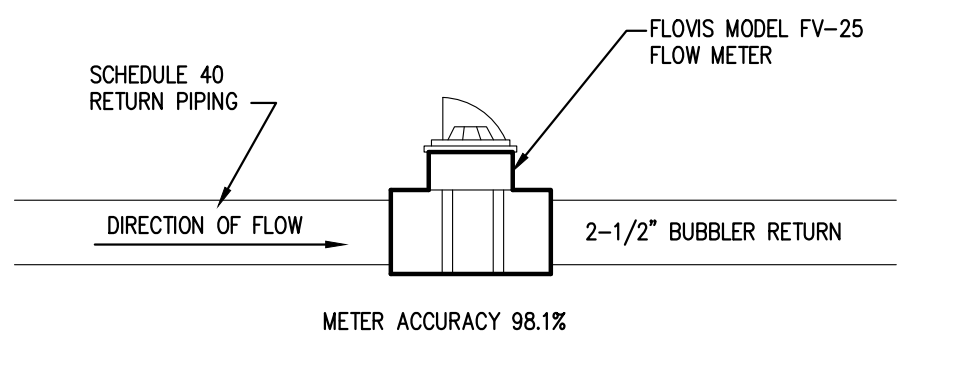


8 SUMP DETAIL
SCALE: NOT TO SCALE



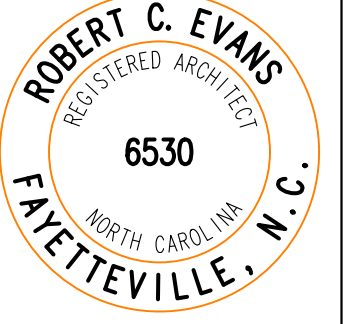
9 HORIZONTAL FLOW METER DETAIL
SCALE: NOT TO SCALE

MODEL	NSF 50 LEVEL	REQUIRED STRAIGHT HORIZONTAL PIPING BEFORE METER
FV-15 THRU FV-25	L1	ZERO INCHES
FV-3	L1	≥ 11" INCHES
FV-4	L1	≥ 17" INCHES
FV-6	L1	≥ 33" INCHES
FV-8	L1	≥ 64" INCHES



10 BUBBLER FLOW METER DETAIL
SCALE: NOT TO SCALE

Robert Charles Evans
2804 HAYWARD ROAD, SUITE 102, FAYETTEVILLE, NORTH CAROLINA



07.06.22

CLAYTON BRITT AND SONS, INC.
3703 BRAGG BOULEVARD
FAYETTEVILLE, NORTH CAROLINA 28301
910.868.8319
RICKY BRITT
NC BUILDING LICENSE #365207

OWNERS: HATCHER CREEK LLC.
126 BRANDON DRIVE
LILLINGTON, NC 27546
DATE: JUNE 25TH 2022

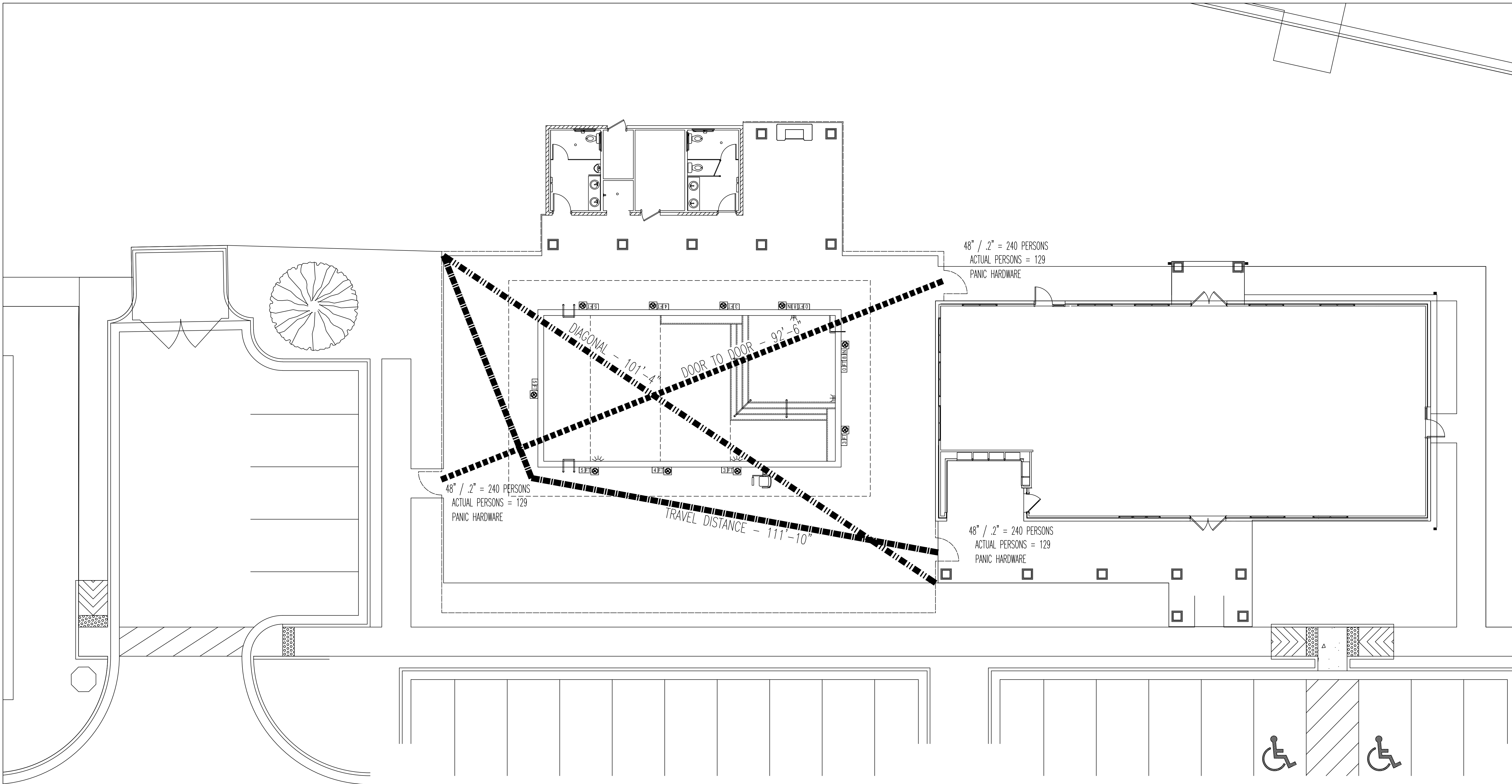
LOCATION: THE GROVE AT 421
61 GROVE CIRCLE
LILLINGTON, NC 27546

SCALE: AS SHOWN

DRAWN: J. PARRISH

SHEET NO:

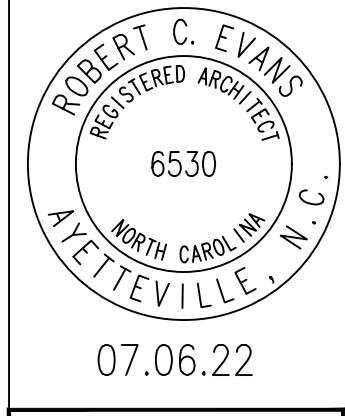
A4



01	LIFE SAFETY PLAN	
AO	1/8" = 1'-0"	
OCCUPANT CONTENT		
POOL	1,250 sf / 50	= 25 PERSONS
DECK	3,492 sf / 15	= 233 PERSONS
TOTAL OCCUPANT CONTENT		258 PERSONS
NOTES:		
1. SEE ARCHITECTURAL BUILDING PLANS FOR LOCATION OF EXIT LIGHTS, EMERGENCY EGRESS LIGHTS AND FIRE EXTINGUISHERS.		

- EXIT SIGN w/ DIRECTIONAL ARROW
- EXIT SIGN
- EXIT SIGN w/ EMERGENCY EGRESS LIGHT
- EMERGENCY EGRESS LIGHT
- FIRE EXTINGUISHER

Robert Charles Evans
 REGISTERED ARCHITECT
 5410 PEARL STREET, FAYETTEVILLE, NORTH CAROLINA 28303



CLAYTON BRITT AND SONS, INC.
 3703 BRAGG BOULEVARD
 FAYETTEVILLE, NORTH CAROLINA 28301
 910.868.8319
RICKY BRITT
 NC BUILDING LICENSE #35207

OWNERS:
 HATCHER CREEK, LLC
 126 BRANDON DRIVE
 LILLINGTON, NC 27546

LOCATION:
 THE GROVE AT 421
 61 GROVE CIRCLE
 LILLINGTON, NC 27546

DATE: JULY 06, 2022

SCALE: AS SHOWN

REVISIONS:

DRAWN: J.PARRISH

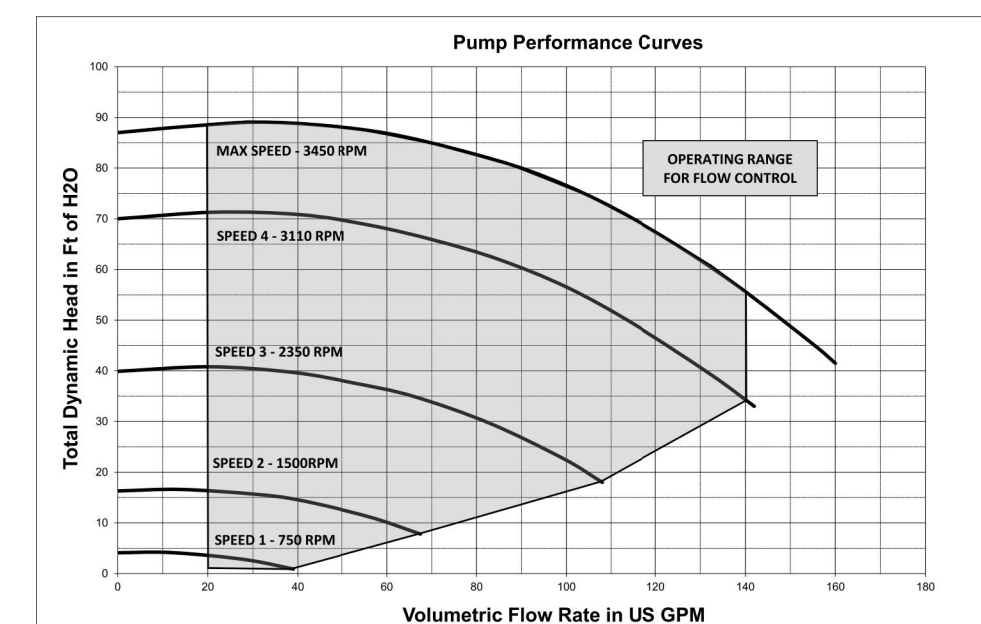
INTELLIFLO® VSF

VARIABLE SPEED AND FLOW PUMP



CONSISTENT FLOW CONTROL FOR THE HIGHEST ENERGY SAVINGS AND ULTIMATE SYSTEM PERFORMANCE.

PERFORMANCE CURVES



The Intelliflo VSF Variable Speed and Flow Pump has earned the Eco Select award distinction as one of the greenest and most efficient choices from Pentair.



The TradeGrade family of products is exclusively made for and sold by the world's most demanding pool professionals.



ENERGY STAR® Certified Intelliflo VSF Pumps from Pentair meet all for energy efficiency criteria set by the U.S. Environmental Protection Agency and the U.S. Department of Energy. These pumps save money, reduce energy use and protect the environment.



1820 Hawkins Ave | Sanford, NC 27330 | United States | 800.831.7133 | pentair.com

All Indicated Pentair trademarks and logos are property of Pentair. Third party registered and unregistered trademarks and logos are the property of their respective owners.

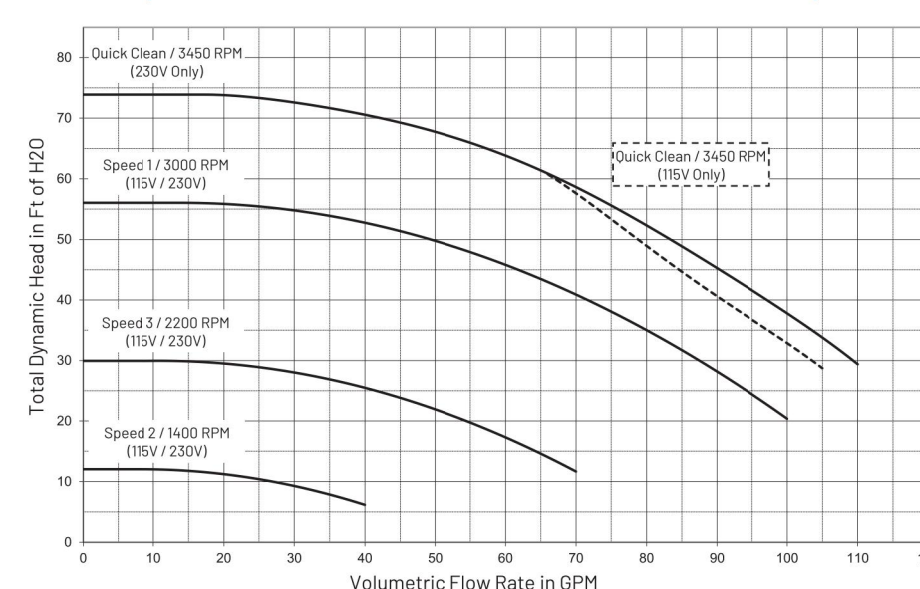
PH-433 1/23 ©2020 Pentair. All Rights Reserved.

SUPERFLO® VST

VARIABLE SPEED PUMP



SuperFlo VST Performance Curves for Preset Speeds



The SuperFlo VST Variable Speed Pump earned the Eco Select award distinction as one of the greenest and most efficient choices from Pentair.



The TradeGrade family of products is exclusively made for and sold by the world's most demanding pool professionals.



ENERGY STAR® Certified SuperFlo VST Variable Speed Pump from Pentair meets strict energy efficiency criteria set by the U.S. Environmental Protection Agency and the U.S. Department of Energy. This pump saves money, reduces energy use and protects the environment.



400 Regency Forest Dr | Cary, NC 27518 | United States | 800.831.7133 | pentair.com

All Indicated Pentair trademarks and logos are property of Pentair. Third party registered and unregistered trademarks and logos are the property of their respective owners. "HiFlow" and "Super Flo" are registered trademarks of Hayward Industries, Inc. in the United States and/or other countries.

PH-205 03/2022

TRITON® C AND TRITON C-3

HIGH CAPACITY FIBERGLASS SIDE MOUNT SAND FILTER WITHOUT VALVES

TRADEGRADE



Featured Highlights

- Maximum Operating Pressure 50 psi
- Full 2 in. Drain
- 8 in. opening for easy access to sand bed
- The Triton C-3 features standard 3 in. flange connections
- TR 100C-3 & TR 140C-3 models are available in black only

CALIFORNIA PROPOSITION 65 WARNING
 WARNING: Cancer and Reproductive Harm.
 Avertissement: Peut Causer le Cancer et des Dommages au Système Reproducteur.
 ADVERTENCIA: Cáncer y Daño Reproductor.
 www.p65warnings.ca.gov

This filter series features multiple diverters for increased filtration rates in commercial applications up to 20 GPM/sq. ft.

Ordering Information

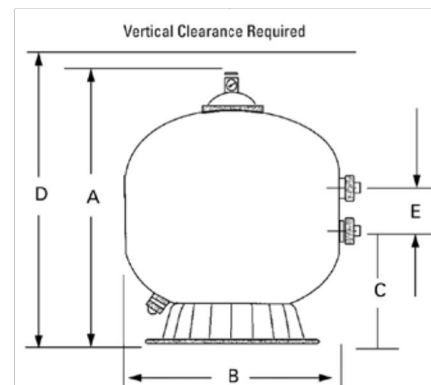
Product	Model	Effective Filtration Area (Sq. Ft.)	Flow Rate	Turnover Capacity (In Gal.) ¹	Filter Media	Pea Gravel Req'd (Lbs.)	Sand Req'd (Lbs.)	All Sand Req'd (Lbs.)	Ctn Qty.	Ctn Wt. (Lbs.)	
TRITON C SAND FILTERS											
140315	TR 100C- Almond	4.91	98	35,280	47,040	58,800	150	450	600	70	
140316	TR 140C- Almond	7.06	141	50,760	67,680	84,600	275	650	925	82	
TRITON C-3 SAND FILTERS											
140310	TR 100C-3- Black only	4.91	98	35,280	47,040	58,800	150	450	600	65	
140342	TR 140C-3- Black only	7.06	141	50,760	67,680	84,600	275	650	925	82	
TRITON C VALVE OPTIONS ²											
261050	2 in. HiFlow w/ plumbing, for sand filters									1	11
261055	2 in. MPV, for sand filters (SM 20-3)									1	10
263010	Full-Flow valve, sand filters (will only work on the TR100C and TR140C models)									1	7
263080	FullFloxF Valve for Sand, inlet port on top, Pentair 2 in. unions glued on XF Valve										

¹ Valves must be purchased separately.

² Based on 20 gpm per sq. ft. Tanks are NSF approved for 5-20 gpm/sq. ft.

Dimensions and Performance

Certified to NSF/ANSI Standard 50



MODEL	A DIM	B DIM	C DIM	D DIM	E DIM
TR 100 C	29 1/2 in.	30 1/2 in.	18 1/2 in.	43 1/2 in.	7 1/2 in.
TR 140 C	48 1/2 in.	38 1/2 in.	18 1/2 in.	43 1/2 in.	7 1/2 in.
TR 100 C-3	29 1/2 in.	30 1/2 in.	18 1/2 in.	43 1/2 in.	7 1/2 in.
TR 140 C-3	48 1/2 in.	38 1/2 in.	18 1/2 in.	43 1/2 in.	7 1/2 in.

See pages 415-416 for replacement parts.

93

Robert Charles Evans
 2504 HAYWARD ROAD, SUITE 102, FAYETTEVILLE, NORTH CAROLINA

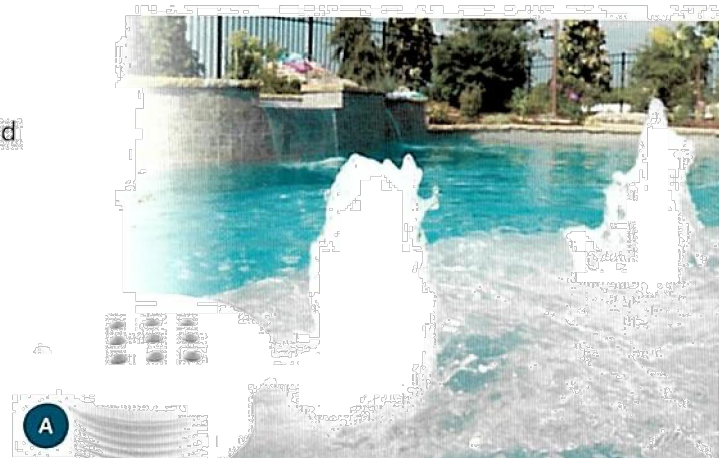
CLAYTON BRITT AND SONS, INC.
 3703 BRAGG BOULEVARD
 FAYETTEVILLE, NORTH CAROLINA 28301
 910.868.8319
 RICKY BRITT
 BY Clayton Britt & Sons
 NC BUILDING LICENSE #365207

NATURAL WONDERS™ GUNITE FOUNTAINS

Natural Wonders Gunite Pool Fountains are a great way to add natural beauty to your pool install. Simply adjust the flow with a CMP ball valve to achieve the perfect look. Add an air blower for increased power. These fountains install simply with standard size fittings. Add a fresh new dimension to beach entries, spas, sun shelves, tanning ledges, and landscape features.

FLUSH BUBBLER FOUNTAIN

- Installs Flush with Pool Floor; No Exposed Components Above the Waterline
- Featured on Extreme Home Makeover
- Available in Four Color Options
- 1-1/2" MIP
- Holes have an area of .68" in totaling 6.15" in open hole area



3-TIER POOL FOUNTAIN

- Includes 3/4" FIP Fountain Head
- Eyeball Fitting 1-1/2" MIP
- Threaded Adapter 3/4" FIP



ORDERING GUIDE

REF	CMP P/N	DESCRIPTION	BOX QTY.
NATURAL WONDERS™ BUBBLER			
A	25503-000-000	WHITE POOL BUBBLER	400
A	25503-001-000	GRAY POOL BUBBLER	400
A	25503-009-000	TAN POOL BUBBLER	400
A	25503-004-000	BLACK POOL BUBBLER	400
NATURAL WONDERS™ 3-TIER POOL FOUNTAIN			
B	25565-009-000	CLEAR 3-TIER POOL FOUNTAIN	100

800.733.9060 | WWW.C-M-P.COM

47

VALVES

PRE-PLUMBED VALVES

BACKWASH VALVES FOR 1-1/2 & 2 IN. D.E. AND SAND FILTERS

Side mounted HiFlow™ and Multiport Valves are designed for maximum performance and working pressures. Available in 1-1/2 and 2 in. threaded or slip models.

Featured Highlights

- PVC body
- The right valve for easy operation
- Six-position, positive-lock operation
- Special winterizing position

CALIFORNIA PROPOSITION 65 WARNING
 WARNING: Cancer and Reproductive Harm.
 Avertissement: Peut Causer le Cancer et des Dommages au Système Reproducteur.
 ADVERTENCIA: Cáncer y Daño Reproductor.
 www.p65warnings.ca.gov

Ordering Information

Product	Description	Carton Qty.	Carton Wt. (Lbs.)
MULTI-PORT VALVE KIT FOR FILTERS, SLIP			
261055	2 in. MPV, for Triton & Quad D.E. filters (SM 20-3) 7-1/2 in. Centerline	1	10
261152	2 in. MPV, for FNS, FNS Plus & NSP filters (SM 20-2) 7-1/2 in. Centerline	1	10
261173	1-1/2 in. MPV, for Triton & Quad D.E. filters (SM 10-3) 7-1/2 in. Centerline	1	6
261177	1-1/2 in. MPV, for FNS, FNS Plus & NSP filters (SM 10-2) 7-1/2 in. Centerline	1	7
HI-FLOW VALVE KIT FOR FILTERS, SLIP			
261050	2 in. w/ bulkhead fittings, for Triton & Quad D.E. filters, 7-1/2 in. Centerline	1	11
261142	2 in. w/ bulkhead fittings, for FNS, FNS Plus & NSP filters, 7-1/2 in. Centerline	1	11
PVC SLIDE VALVE, SLIP			
263064	Push Pull Valve, 7-1/2 in. Center, PVC, Almond	1	4.5
263079	2 in. w/o bulkhead fittings for D.E. and sand filters, 7-1/2 in. Centerline	1	3
FULLFLOXF BACKWASH VALVES			
262507	Sta-Rite version for System 3 Mod D.E., inlet on top, with Sta-Rite offset adapters glued on	1	11
262508	Sta-Rite version for System 3 D.E. and Sand, inlet on bottom, with Sta-Rite offset adapters glued on	1	10
262509	Valve with filter inlet port on top, no fittings, only valve	1	10
262511	Valve with filter inlet port on bottom, no fittings, only valve	1	10
263080	Valve for Sand and Quad D.E., inlet port on top, Pentair 2 in. unions glued on	1	12
263081	Valve for D.E., inlet port on bottom, Pentair 2 in. unions glued on	1	12



HiFlow Valve Kit 261050
 PVC Slide Valve Kit 263064
 Multiport Valve Kit 261055
 FullFloxF™ Backwash Valve Kit 263080

See page 572, 574-576 and 580-581 for replacement parts.

278

PERISTALTIC PUMPS & DIGITAL CONTROLLERS

THE PRO SERIES 300 PERISTALTIC PUMPS FEATURE:

- New commercial design
- Fully digital timer
- Refined dosing increments-- for more precise control
- New, more versatile mounting options
- Other features include: quick-release cover for fast tubing access, three-way switch controls timer/off/continuous, self-priming pump and clear Tycron and Black Norprene Squeeze Tubes
- The Pro Series 300 retains a 30psi rating and versatile 18-ft. suction lift.
- Pumps operate on 9-minute cycles and are available in 120V or 240V corded or permanent wire configurations with maximum amps--2.5

SEE ROLA-CHEM.COM FOR THE COMPLETE LIST OF PRO SERIES 300 MODELS

GENERATION II DIGITAL CONTROLLERS



MODEL SHOWN: RC554XP
 Digital pH/ORP Controller
 P/N 554000
 UPC 7-5706 00136-6

Factory Setting	ORP	Feed Cycle
7.4	650 mV	.6 Seconds
Display Range	6.8--8.2	0-995 mV
Setpoint Range	7.0--8.0	400-900 mV

Feed Cycles	.6 to 900 seconds w/ 5-minute analyzation periods
Power	120V corded (input/output)
Feed	Timed or Continuous
Maximum Output	5 Amps

INCLUDES: Controller, flow cell with flow switch, probes, 3/8" tubing and fittings.

ALL ROLA-CHEM CONTROLLERS ARE NSF ANSI CERTIFIED

Digital pH/ORP Controllers Feature:

- Digital readouts
- ORP technology
- Redox sensor
- Dip switch programmable settings
- Timed or continuous feed settings
- Built-in out-of-range safety timeouts
- pH calibration
- Acid or base feed
- Microprocessor logic
- Globe flow cell with flow switch
- Compatible with most peristaltic pumps
- Can also be used with erosion feeder/solenoid applications

MANUFACTURED IN THE USA

5-YEAR LIMITED WARRANTY ON CONTROLLER ELECTRONICS 1-YEAR LIMITED WARRANTY ON PROBES, FLOW CELL AND VALVE. NOTE: It is recommended that an in-line filter system (part number 350591) be used before the flow cell. MET controllers are also available.

5858 Centerville Rd • St. Paul, MN 55127 | Local: 651-653-5031 • Fax: 651-653-0989 | info@Rola-Chem.com

4

OWNERS: HATCHER CREEK LLC.
 126 BRANDON DRIVE
 LILLINGTON, NC 27546
 SCALE: AS SHOWN
 DATE: JUNE 25TH 2022
 DRAWN: J.PARRISH

LOCATION: THE GROVE AT 421
 61 GROVE CIRCLE
 LILLINGTON, NC 27546

SHEET NO:

A6

WHEN ACCURACY IS CRITICAL, DON'T JUST TAKE OUR WORD FOR IT!



FlowVis® was the first - and is now the most - NSF 50 certified flow meter in the world! Because when accuracy matters, you should put your trust in the experts.



FLOWVIS® MODELS

Feature	FV-15	FV-15-U	FV-2	FV-2-U	FV-2.5	FV-3	FV-3-40	FV-4	FV-6	FV-8
NSF 50 Certified	✓	✓	✓	✓	✓	✓	✓	✓	✓	✓
Pipe Size	1.5"	1.5"	2"	2"	2.5"	3"	3"	4"	6"	8"
Operating Range (GPM)	10-80	10-90	10-110	10-110	10-110	70-240	70-240	150-460	300-1000	600-1800
Average Accuracy	98.7%	98.7%	99.4%	99.0%	99.2%	98.9%	99.2%	99.6%	98.1%	N/A
NSF 50 Level	L1	L1	L1	L1	L1	L1	L1	L1	L1	L1

*FlowVis® model FV-8 is available only with FlowVis® Digital upgrade included. For accuracy of this model, refer to the FV-8 information in the FlowVis Digital table below.

FLOWVIS® DIGITAL MODELS

Feature	FV-15	FV-15-U	FV-2	FV-2-U	FV-2.5	FV-3	FV-3-40	FV-4	FV-6	FV-8
NSF 50 Certified	✓	✓	✓	✓	✓	✓	✓	✓	✓	✓
Pipe Size	1.5"	1.5"	2"	2"	2.5"	3"	3"	4"	6"	8"
Operating Range (GPM)	10-80	10-90	10-110	10-110	10-110	70-240	70-240	150-460	300-1000	600-1800
Average Accuracy	98.6%	99.0%	98.8%	98.5%	98.3%	98.4%	98.0%	98.3%	98.9%	98.9%
NSF 50 Level	L1	L1	L1	L1	L1	L1	L1	L2	L1	L1

NOTE: FlowVis is the only NSF 50 certified Level 1 flow meter in the world today

Guide for NSF 50 Accuracy Levels

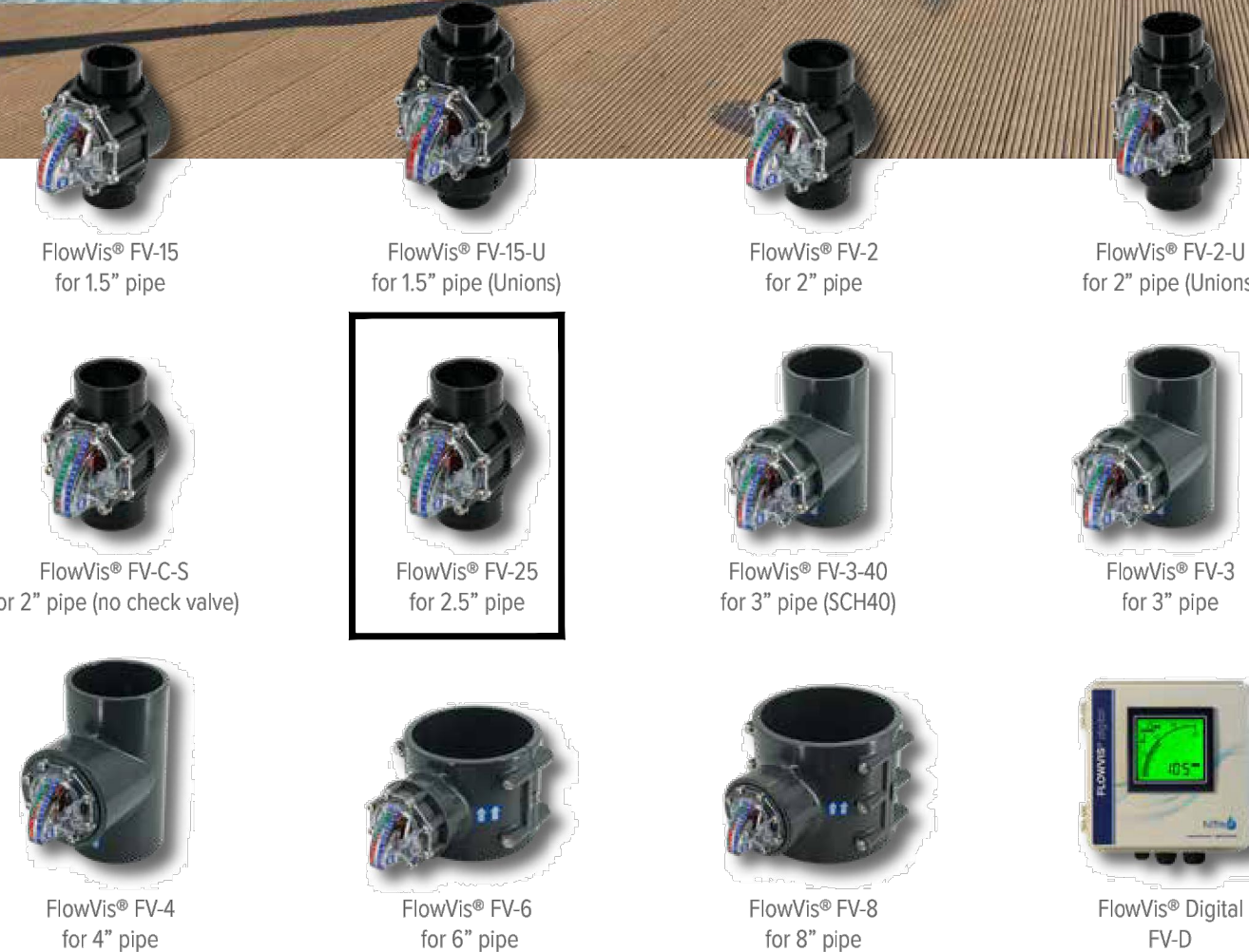
- Level 1 (L1):** Average of absolute values of all single point deviations must be ≤2%. Single point deviations shall not exceed ±4%.
- Level 2 (L2):** Average of absolute values of all single point deviations must be ≤5%. Single point deviations shall not exceed ±7.5%.
- Level 3 (L3):** Average of absolute values of all single point deviations must be ≤10%. Single point deviations shall not exceed ±12.5%.
- Level 4 (L4):** Average of absolute values of all single point deviations must be ≤12.5%. Single point deviations shall not exceed ±15%.
- Level 5 (L5):** Average of absolute values of all single point deviations must be ≤15%. Single point deviations shall not exceed ±20%.

AN AWARD-WINNING DESIGN

In 2021, FlowVis® was named to *Pool & Spa News* Top 50 Products, an award given annually to the pool industry's most innovative products. This is the third time that FlowVis has received this honor.



Scan to learn more about FlowVis® flow meters



Materials of Construction

F-300

Wetted Components:

Meter Body	Acrylic
Float	PVDF
Gasket	Neoprene
Pipe Clamp	316ss

Output Specifications

Models for Mounting on Horizontal Pipe
Models for U.S. IPS Sch40 & 80 Pipe (ASTM 1785)

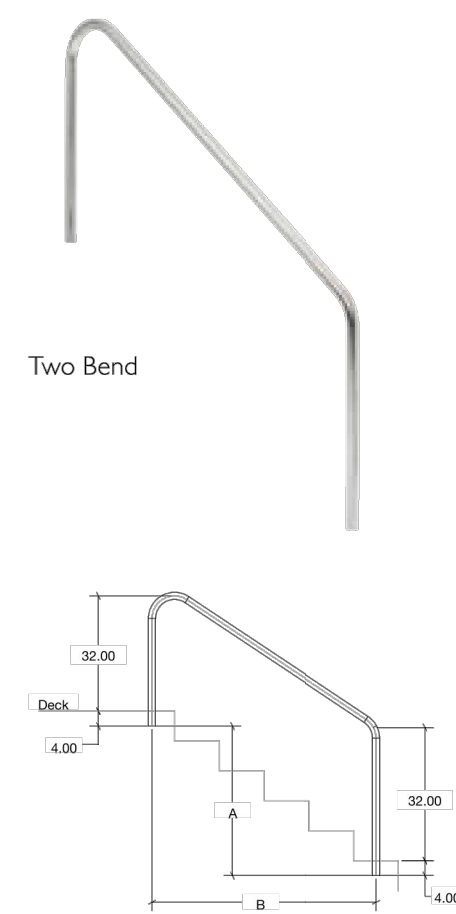
Model	Pipe size	Sch40	Sch80
F-30100P	1"	5 to 35	4 to 26
F-30125P	1-1/4"	9 to 50	8 to 40
F-30150P	1-1/2"	10 to 70	10 to 60
F-30200P	2"	20 to 120	18 to 100
F-30250P	2-1/2"	29 to 150	25 to 130
F-30300P	3"	45 to 240	40 to 215
F-30400P	4"	75 to 420	70 to 400
F-30600P	6"	170 to 1100	160 to 1000
F-30800P	8"	300 to 2200	275 to 1950

Models for Mounting on Vertical Pipe
Models for U.S. IPS Sch40 & 80 Pipe (ASTM 1785)

Model	Pipe size	Sch40	Sch80	Flow direction
U-30150P	1-1/2"	10 to 60	10 to 50	UP
D-30150P	1-1/2"	10 to 60	10 to 50	DOWN
U-30200P	2"	20 to 110	20 to 100	UP
D-30200P	2"	20 to 110	20 to 100	DOWN

ladders + rails

Stair Rails – 2-Bend



- Tubing: 1.90" OD
- Wall Thickness: .049" or .065"
- Stainless Steel: 304 or 316L Marine Grade** (add -MG to part number)
- Bends: 6" Radius
- Options: Powder-coating and SealedSteel Salt Friendly available
- Recommended anchors: AS-100B (order separately)
- Recommended escutcheon: EP-100F (order separately)
- * Minimum rail thickness is .065 for Commercial
- ** Minimum requirement for salt pools is 316L Marine Grade

Model No.	Description	A	B	Shipping		
				Weight	Length	Width
2HR-4	4' 2-BEND	26"	4'-0"	10-20 lbs	70"	37"
				4-10kg	178cm	94cm
2HR-5	5' 2-BEND	36"	5'-0"	12-25 lbs	82"	37"
				5-11kg	208cm	94cm
2HR-6	6' 2-BEND	46"	6'-0"	13-32 lbs	97"	37"
				6-14kg	246cm	94cm

Notes:
 * Add .049 to the part number for .049" wall. Add .065 to the part number for .065" wall.
 • Extended Length: Add -1 to the part number for 12" extended length on pool (front) leg. Add -2 to the part number for 12" extended length on both legs. Add -3 to the part number for 12" extended length to deck leg.



ladders + rails

Figure 4 – Residential



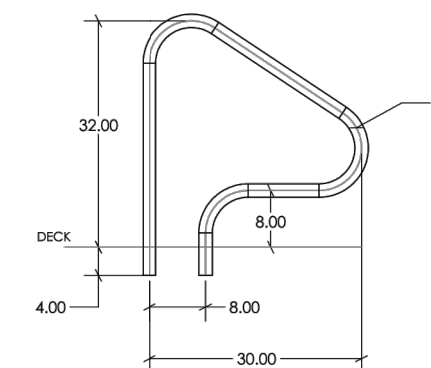
- Tubing: 1.90" OD
- Wall Thickness: .049", .065"
- Stainless Steel: 304 or 316L Marine Grade* (add -MG to part number)
- Bends: 6" Radius
- Options: Powder-coating and SealedSteel Salt Friendly available
- Recommended Anchors: AS-100B-S5
- Recommended Escutcheons: EP-100F (order separately)
- Sold as pairs, unless otherwise noted
- * Minimum requirement for salt pools is 316L Marine Grade

Figure 4 (1.90" OD)

Model No.	Description	Shipping		
		Weight	Length	Width
F4H-100	30" Figure 4, .065" wall, pair	24 lbs	39"	32"
		11kg	99cm	81cm
F4H-101	30" Figure 4, .049" wall, pair	19 lbs	39"	32"
		9kg	99cm	81cm
F4H-102	26" Figure 4, .049" wall, pair	18 lbs	39"	32"
		8kg	99cm	81cm
F4H-102S	26" Figure 4, .049" wall, single	12 lbs	39"	32"
		5kg	99cm	81cm

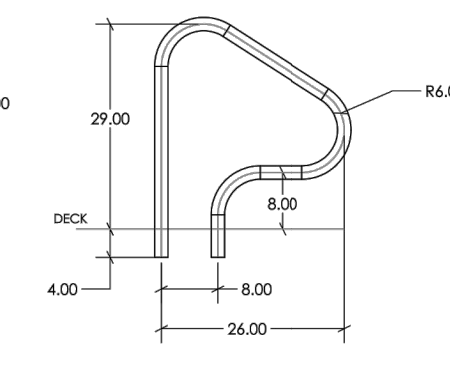
30-inch Setback

F4H-100 & F4H-101



26-inch Setback

F4H-102



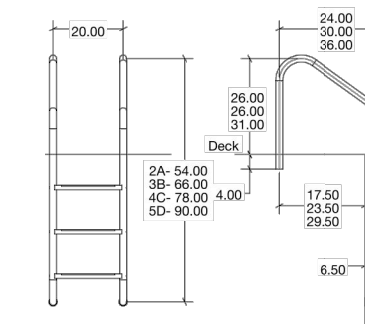
ladders + rails

Commercial Ladder



- Tubing: 1.90" OD
- Wall Thickness: .065"
- Stainless Steel: 304 or 316L Marine Grade* (add -MG to part number)
- Treads: LTDF-103 Stainless Steel (Elite)
- Bends: 6" Radius
- Options: Powder-coating and SealedSteel Salt Friendly (rails only)
- Recommended anchors: AS-100B (order separately)
- Recommended escutcheon: EP-100F (order separately)
- * Minimum requirement for salt pools is 316L Marine Grade

Model No.	Description
LF-X-2A	2-Step Ladder
LF-X-3B	3-Step Ladder
LF-X-4C	4-Step Ladder
LF-X-5D	5-Step Ladder
LFB-X-2A	2-Step Ladder with cross brace
LFB-X-3B	3-Step Ladder with cross brace
LFB-X-4C	4-Step Ladder with cross brace
LFB-X-5D	5-Step Ladder with cross brace
LFB-36-3B-12	Special 36" crossbrace 3-step ladder w/ 12" extended length

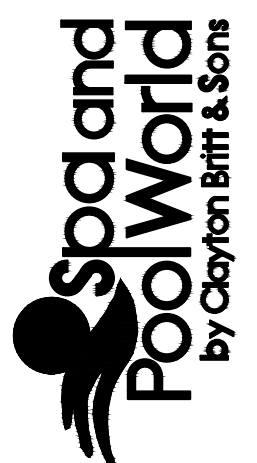


Notes:
 • Key to order: X=Width dimension 24 for 24" ladder, 30 for 30" ladder, or 36 for 36" ladder.
 Example LF-24-2A for 24" 2 step ladder.
 • Safety Stop: Kiss-Add-T to the end of the part number.
 • Frames extend 5 1/2" from the pool wall. Frame is secured to the pool deck with two anchor sockets on 20" centers.
 The lower end of the frame is bent to meet the pool wall and fitted with two white rubber bumpers (WRB-100A).



Robert Charles Evans
 2804 HAYWARD ROAD, SUITE 102, FAYETTEVILLE, NORTH CAROLINA

CLAYTON BRITT AND SONS, INC.
 3703 BRAGG BOULEVARD
 FAYETTEVILLE, NORTH CAROLINA 28301
 910.868.8319
 RICKY BRITT
 NC BUILDING LICENSE #365207



OWNERS: HATCHER CREEK LLC.
 126 BRANDON DRIVE
 LILLINGTON, NC 27546
 DATE: JUNE 25TH 2022

LOCATION: THE GROVE AT 421
 61 GROVE CIRCLE
 LILLINGTON, NC 27546

SCALE: AS SHOWN
 DRAWN: J.PARRISH

SHEET NO:

A8

POOL SPECIALTY FITTINGS (CONT'D)

WHITE GOODS

Ordering Information

Table with columns: Product, Description, Carton Qty., Carton Wt. (Lbs.). Includes sections for FLOOR INLET FITTINGS, SPECIAL FITTINGS, VALVE COVERS, GRATE INSERTS, ROPE ANCHORS & HOOKS, STEPS, and BERMUDA ACCESSORIES.

1 Not for use with saltwater pools.
2 Not for use as a suction fitting.
3 Use only as a floor inlet fitting.
4 Hose to NPT fittings.

BERMUDA SKIMMERS (CONT'D)

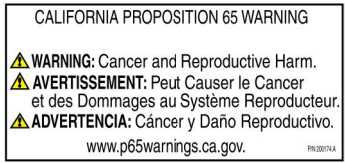
WHITE GOODS - SKIMMERS

Ordering Information

Table with columns: Product, Description, Material Type, Carton Qty., Carton Wt. (Lbs.). Includes sections for GUNITE SKIMMERS, GUNITE SKIMMERS WITH FLOAT VALVE & EQUALIZER VALVE ASSEMBLY, and VINYL/FIBERGLASS SKIMMER.

1 NSF listed.

Table with columns: Item, Product, Description, Carton Wt. (Lbs.). Includes sections for BERMUDA ACCESSORIES and VINYL/FIBERGLASS SKIMMER.

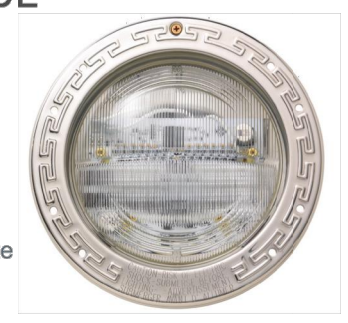


CALIFORNIA PROPOSITION 65 WARNING
WARNING: Cancer and Reproductive Harm.
AVERTISSEMENT: Peut Causer le Cancer et des Dommages au Systeme Reproducteur.
ADVERTENCIA: Cáncer y Daño Reproductivo.

See pages 593 for replacement parts.

INTELLIBRITE 5G WHITE LED LIGHTS
UNDERWATER LED LIGHTS FOR SWIMMING POOLS AND SPAS

TRADEGRADE
eco select



- Featured Highlights
• The brightest most energy efficient white LED pool light on the market
• Energy efficient utilizing up to 86% less energy than comparable incandescent lights

IntelliBrite 5g White LED Pool Light
IntelliBrite 5g White LED light offers a brighter, more energy efficient alternative to incandescent white lighting.

CALIFORNIA PROPOSITION 65 WARNING
WARNING: Cancer and Reproductive Harm.
AVERTISSEMENT: Peut Causer le Cancer et des Dommages au Systeme Reproducteur.
ADVERTENCIA: Cáncer y Daño Reproductivo.

Ordering Information for Pool Lights

Table with columns: Product, Voltage, Wattage, Cord Length (Ft.), Incandescent Equivalency, Carton Qty. Includes sections for INTELLIBRITE 5g WHITE POOL LIGHTS - 300 WATT EQUIVALENT, 120 VOLT and INTELLIBRITE 5g WHITE POOL LIGHTS - 500 WATT EQUIVALENT, 120 VOLT.

120

GLOBRITE WHITE AND COLOR LED LIGHTS
UNDERWATER LED LIGHTS FOR SWIMMING POOLS AND SPAS

TRADEGRADE
eco select



- Featured Highlights
• The brightest and most efficient LEDs available
• Can be placed in as little as 4 in. of water even in the floor pointing up

GloBrite LED Lights use advanced technology for energy-efficient, high quality light displays, delivered with enhanced LED brightness and superior optics.

NOTE: Only GloBrite white lights have two dimming levels. GloBrite color lights cannot be dimmed.

Ordering Information

Table with columns: Product, Voltage, Wattage, Cord Length (Ft.), Carton Qty., Carton Wt. (Lbs.). Includes sections for GLOBRITE COLOR LED LIGHTS and GLOBRITE WHITE LED LIGHTS.

Table with columns: Product, Description, Carton Qty., Carton Wt. (Lbs.). Includes sections for GLOBRITE NICHES and GLOBRITE COLOR KITS, INCLUDING NICHE & TRANSFORMER.

122

Tools & Accessories - CMP

Page 15 of 19



VAC LOCK COVER
1.5" MIP X 1.25" HOSE

25505-000-000
W400BWHP
White Vac Lock Cover

25505-001-000
W400BLGP
Gray Vac Lock Cover

25505-004-000
Black Vac Lock Cover

25505-007-000
Dark Gray Vac Lock Cover

25505-009-000
Tan Vac Lock Cover

http://www.e-m-p.com/pool-products/accessories/pool-care-accessories/tools-accessories/ 11/6/2017

WHITE GOODS

AUTOMATIC WATER FILLERS
WATER LEVEL CONTROL

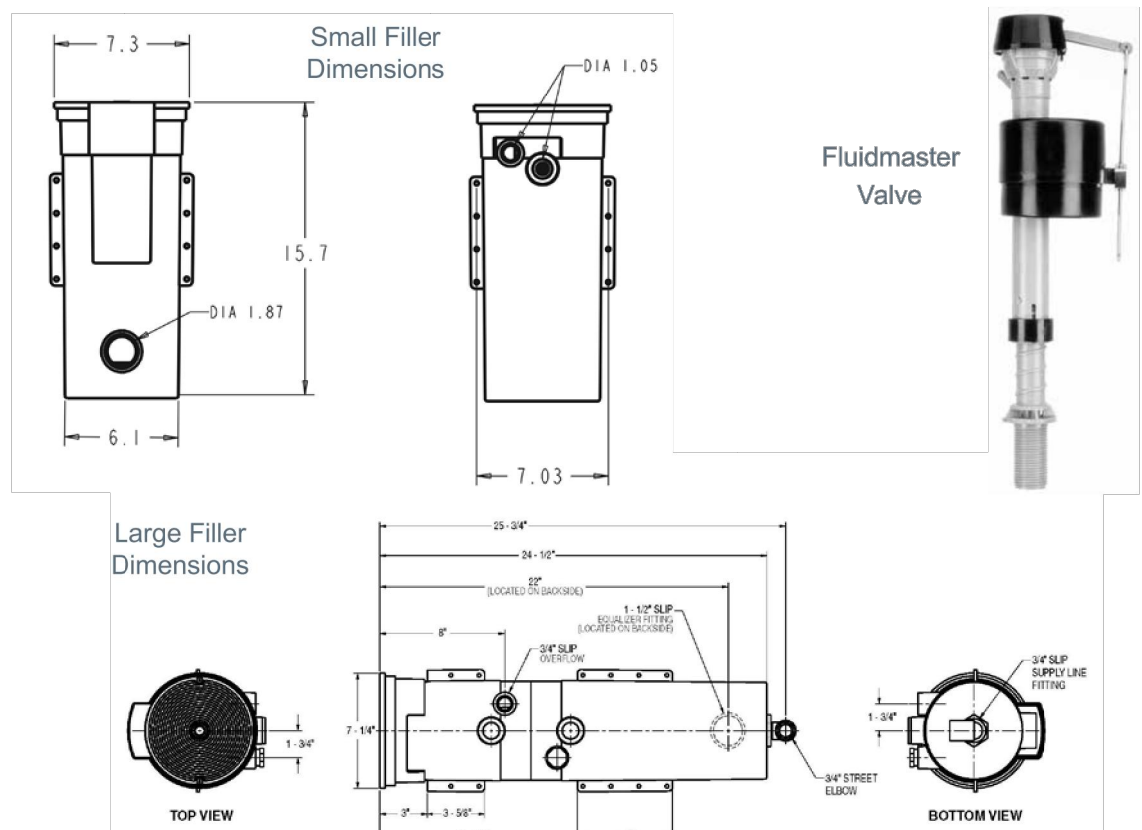


CALIFORNIA PROPOSITION 65 WARNING
WARNING: Cancer and Reproductive Harm.
AVERTISSEMENT: Peut Causer le Cancer et des Dommages au Systeme Reproducteur.
ADVERTENCIA: Cáncer y Daño Reproductivo.

- Featured Highlights
• Available for standard in-ground and vanishing edge pools
• Prevents equipment damage due to low water levels

Ordering Information

Table with columns: Product, Description, Product, Description. Includes section for AUTOMATIC WATER FILLERS.



See page 600 for replacement parts.

314

CLAYTON BRITT AND SONS, INC.
3703 BRAGG BOULEVARD
FAYETTEVILLE, NORTH CAROLINA 28301
910.868.8319
RICKY BRITT
By Clayton Britt & Sons
NC BUILDING LICENSE #365207

OWNERS: HATCHER CREEK LLC.
126 BRANDON DRIVE
LILLINGTON, NC 27546
DATE: JUNE 25TH 2022
SCALE: AS SHOWN
DRAWN: J. PARRISH

SHEET NO:
A9