

16 GAUGE STAINLESS STEEL
WORK TABLES
 WITH 4" BACKSPLASH

REGENCY
Stainless Steel Commercial
Tables And Sinks



FEATURES

- Smooth type 304 stainless steel work surface makes cleaning a breeze
- 4" backsplash to protect posterior wall
- Stainless steel legs, undershelf, and hat channels provide unparalleled stability
- Adjustable bullet feet ensure leveling on uneven surfaces
- Combines unbeatable strength with long-lasting durability
- Simple assembly and installation requires little effort

SPECIFICATIONS



| ITEM | LENGTH | WIDTH | WORK HEIGHT | UNDERSHELF DIMENSIONS | TOP SHELF CAPACITY | UNDERSHELF CAPACITY | WEIGHT |
|-------------|--------|-------|-------------|-----------------------|--------------------|---------------------|---------|
| 600TSB2424S | 24" | 24" | 34" | 18" x 18" | 500 lb. | 300 lb. | 35 lb. |
| 600TSB2430S | 30" | 24" | 34" | 24" x 18" | 500 lb. | 300 lb. | 40 lb. |
| 600TSB2436S | 36" | 24" | 34" | 30" x 18" | 530 lb. | 320 b. | 46 lb. |
| 600TSB2448S | 48" | 24" | 34" | 42" x 18" | 560 lb. | 340 b. | 59 lb. |
| 600TSB2460S | 60" | 24" | 34" | 54" x 18" | 580 lb. | 360 lb. | 70 lb. |
| 600TSB2472S | 72" | 24" | 34" | 66" x 18" | 600 lb. | 380 lb. | 87 lb. |
| 600TSB2496S | 96" | 24" | 34" | 90" x 18" | 760 lb. | 450 lb. | 110 lb. |
| 600TSB3030S | 30" | 30" | 34" | 24" x 24" | 550 lb. | 330 b. | 47 lb. |
| 600TSB3036S | 36" | 30" | 34" | 30" x 24" | 570 lb. | 350 b. | 51 lb. |
| 600TSB3048S | 48" | 30" | 34" | 42" x 24" | 600 lb. | 370 lb. | 66 lb. |
| 600TSB3060S | 60" | 30" | 34" | 54" x 24" | 620 lb. | 390 lb. | 80 lb. |
| 600TSB3072S | 72" | 30" | 34" | 66" x 24" | 640 lb. | 410 lb. | 99 lb. |
| 600TSB3084S | 84" | 30" | 34" | 78" x 24" | 780 lb. | 460 lb. | 113 lb. |
| 600TSB3096S | 96" | 30" | 34" | 90" x 24" | 800 lb. | 480 lb. | 126 lb. |
| 600TSB3636S | 36" | 36" | 34" | 30" x 30" | 600 lb. | 380 lb. | 58 lb. |
| 600TSB3648S | 48" | 36" | 34" | 42" x 30" | 630 lb. | 400 lb. | 72 lb. |
| 600TSB3660S | 60" | 36" | 34" | 54" x 30" | 650 lb. | 420 lb. | 87 lb. |
| 600TSB3672S | 72" | 36" | 34" | 66" x 30" | 670 lb. | 440 lb. | 102 lb. |
| 600TSB3696S | 96" | 36" | 34" | 90" x 36" | 820 lb. | 510 lb. | 139 lb. |

NOTE: 84" & 96" Work Tables Feature (6) Six Legs for Added Stability

REGENCYTABLESANDSINKS.COM

16 GAUGE STAINLESS STEEL

WORK TABLES

WITH 4" BACKSPLASH

REGENCY

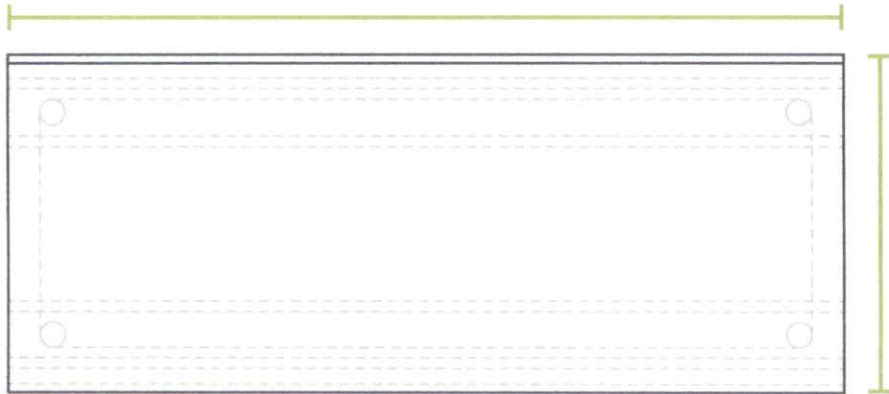
Stainless Steel Commercial

Tables And Sinks



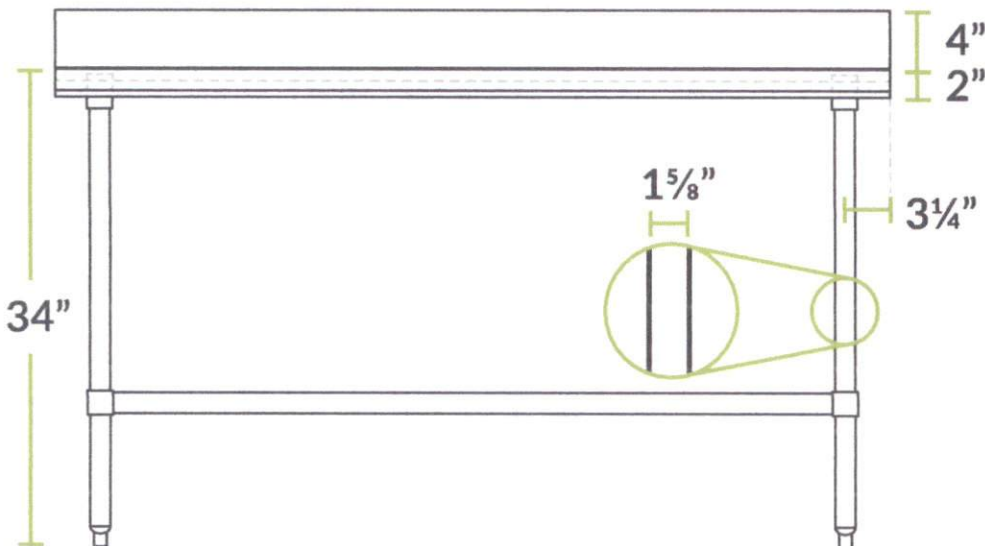
TOP

LENGTH

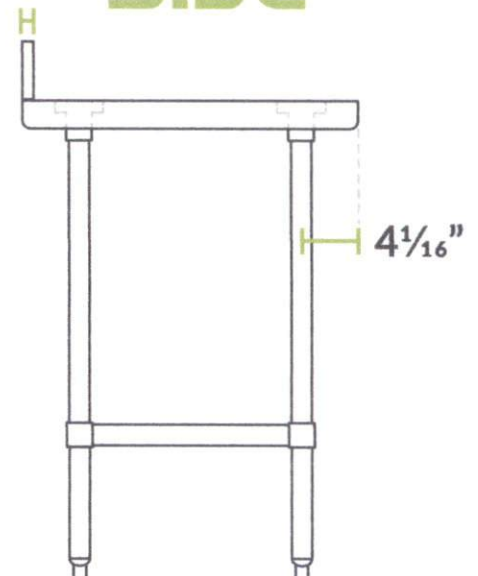


WIDTH

FRONT



1" SIDE



CASTERS & FEET

| ITEM | DESCRIPTION | # / PACK |
|--------------|--|----------|
| 600CASTER4 | 5" Swivel Stem Casters | 4 |
| 600CASTER6 | 5" Swivel Stem Casters | 6 |
| 600CASTERHD4 | 5" Heavy-Duty Swivel Stem Casters | 4 |
| 600CASTERHD6 | 5" Heavy-Duty Swivel Stem Casters | 6 |
| 600PABF | Adjustable Plastic Bullet Foot | 1 |
| 600SPABF | Adjustable Stainless Steel Bullet Foot | 1 |
| 600SSFF | 3¼" Stainless Steel Flanged Foot | 1 |

UNDERSHELVES

| ITEM | DIMENSIONS | FITS |
|------------|-------------|-------------------------|
| 600UT1824S | 18"L x 12"W | 24"L x 18"W Work Tables |
| 600UT1830S | 24"L x 12"W | 30"L x 18"W Work Tables |
| 600UT1836S | 30"L x 12"W | 36"L x 18"W Work Tables |
| 600UT1848S | 42"L x 12"W | 48"L x 18"W Work Tables |
| 600UT1860S | 54"L x 12"W | 60"L x 18"W Work Tables |
| 600UT1872S | 66"L x 12"W | 72"L x 18"W Work Tables |
| 600UT2424S | 18"L x 18"W | 24"L x 24"W Work Tables |
| 600UT2430S | 24"L x 18"W | 30"L x 24"W Work Tables |
| 600UT2436S | 30"L x 18"W | 36"L x 24"W Work Tables |
| 600UT2448S | 42"L x 18"W | 48"L x 24"W Work Tables |
| 600UT2460S | 54"L x 18"W | 60"L x 24"W Work Tables |
| 600UT2472S | 66"L x 18"W | 72"L x 24"W Work Tables |
| 600UT2484S | 78"L x 18"W | 84"L x 24"W Work Tables |
| 600UT2496S | 90"L x 18"W | 96"L x 24"W Work Tables |
| 600UT3030S | 24"L x 24"W | 30"L x 30"W Work Tables |
| 600UT3036S | 30"L x 24"W | 36"L x 30"W Work Tables |
| 600UT3048S | 42"L x 24"W | 48"L x 30"W Work Tables |
| 600UT3060S | 54"L x 24"W | 60"L x 30"W Work Tables |
| 600UT3072S | 66"L x 24"W | 72"L x 30"W Work Tables |
| 600UT3084S | 78"L x 24"W | 84"L x 30"W Work Tables |
| 600UT3096S | 90"L x 24"W | 96"L x 30"W Work Tables |
| 600UT3636S | 30"L x 30"W | 36"L x 36"W Work Tables |
| 600UT3648S | 42"L x 30"W | 48"L x 36"W Work Tables |
| 600UT3660S | 54"L x 30"W | 60"L x 36"W Work Tables |
| 600UT3672S | 66"L x 30"W | 72"L x 36"W Work Tables |
| 600UT3696S | 90"L x 30"W | 96"L x 36"W Work Tables |

CASTERS

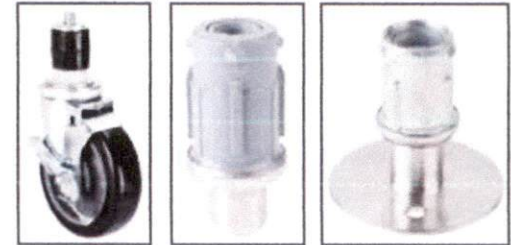
Each set of Regency casters lets you turn any work table or equipment stand with 4 or 6 standard legs into a mobile work station. With a total weight capacity of 1200 to 1600 lb., these wheels can stand the toughest of tests and are sure to meet your needs. Take your table or equipment on the go and then keep it secure with the flip of a lever, conveniently placed at foot level for easy locking and unlocking.

BULLET FEET

Make sure your table, compartment sink, or dishtable is level and stable by replacing a missing or broken bullet foot with these Regency Bullet Feet! They are designed to fit equipment with 1½" outer diameter legs and are adjustable so they can accommodate uneven floors.

FLANGED FEET

If you need to bolt your Regency equipment to the floor for added stability during use, this flanged 3¼" seismic foot is the perfect solution! It is designed to swap out easily for an existing foot on Regency products with legs that measure 1½" in outer diameter. Feet like these are typically used to comply with local codes, which require you to secure equipment to the floor, and in situations where keeping your equipment immobile could be useful, like on a food truck.



UNDERSHELVES

Add extra storage space and organization to your kitchen with a Regency adjustable stainless steel work table undershelf! Undershelves provide additional storage for frequently used items like prep tools, cutting boards, bar towels, oven mitts, pans, and trays. These undershelves are adjustable, so you can move them higher or lower to accommodate items of varying sizes. Made of 18 gauge, type 430 stainless steel, Regency undershelves ensure maximum durability and corrosion resistance, and are easy to clean and sanitize.



OVERSHELVES

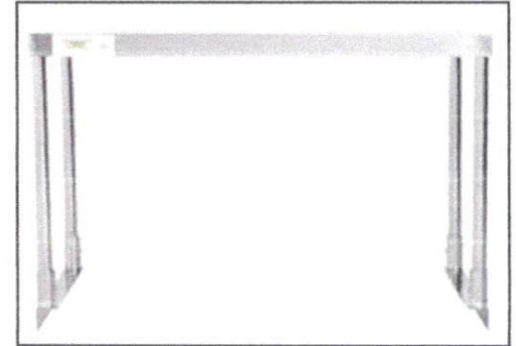
| ITEM | TYPE | DIMENSIONS | FITS |
|------------|-------------|---------------------|------------------|
| 600SOS1230 | Single Deck | 30"L x 12"W x 19¼"H | 30"L Work Tables |
| 600SOS1236 | Single Deck | 36"L x 12"W x 19¼"H | 36"L Work Tables |
| 600SOS1248 | Single Deck | 48"L x 12"W x 19¼"H | 48"L Work Tables |
| 600SOS1260 | Single Deck | 60"L x 12"W x 19¼"H | 60"L Work Tables |
| 600SOS1272 | Single Deck | 72"L x 12"W x 19¼"H | 72"L Work Tables |
| 600SOS1284 | Single Deck | 84"L x 12"W x 19¼"H | 84"L Work Tables |
| 600SOS1296 | Single Deck | 96"L x 12"W x 19¼"H | 96"L Work Tables |
| 600SOS1830 | Single Deck | 30"L x 18"W x 19¼"H | 30"L Work Tables |
| 600SOS1836 | Single Deck | 36"L x 18"W x 19¼"H | 36"L Work Tables |
| 600SOS1848 | Single Deck | 48"L x 18"W x 19¼"H | 48"L Work Tables |
| 600SOS1860 | Single Deck | 60"L x 18"W x 19¼"H | 60"L Work Tables |
| 600SOS1872 | Single Deck | 72"L x 18"W x 19¼"H | 72"L Work Tables |
| 600SOS1884 | Single Deck | 84"L x 18"W x 19¼"H | 84"L Work Tables |
| 600SOS1896 | Single Deck | 96"L x 18"W x 19¼"H | 96"L Work Tables |
| 600DOS1230 | Double Deck | 30"L x 12"W x 32"H | 30"L Work Tables |
| 600DOS1236 | Double Deck | 36"L x 12"W x 32"H | 36"L Work Tables |
| 600DOS1248 | Double Deck | 48"L x 12"W x 32"H | 48"L Work Tables |
| 600DOS1260 | Double Deck | 60"L x 12"W x 32"H | 60"L Work Tables |
| 600DOS1272 | Double Deck | 72"L x 12"W x 32"H | 72"L Work Tables |
| 600DOS1284 | Double Deck | 84"L x 12"W x 32"H | 84"L Work Tables |
| 600DOS1296 | Double Deck | 96"L x 12"W x 32"H | 96"L Work Tables |
| 600DOS1830 | Double Deck | 30"L x 18"W x 32"H | 30"L Work Tables |
| 600DOS1836 | Double Deck | 36"L x 18"W x 32"H | 36"L Work Tables |
| 600DOS1848 | Double Deck | 48"L x 18"W x 32"H | 48"L Work Tables |
| 600DOS1860 | Double Deck | 60"L x 18"W x 32"H | 60"L Work Tables |
| 600DOS1872 | Double Deck | 72"L x 18"W x 32"H | 72"L Work Tables |
| 600DOS1884 | Double Deck | 84"L x 18"W x 32"H | 84"L Work Tables |
| 600DOS1896 | Double Deck | 96"L x 18"W x 32"H | 96"L Work Tables |

DRAWERS

| ITEM | EXTERIOR DIMENSIONS | INTERIOR DIMENSIONS |
|-----------|---------------------|---------------------|
| 600DR2015 | 19½"L x 23¾"W x 5"H | 15"L x 20"W x 5"H |
| 600DR2020 | 25½"L x 23¾"W x 5"H | 20"L x 20"W x 5"H |

STAINLESS STEEL OVERSHELVES

Add extra storage space and organization to your kitchen with these Regency stainless steel overshelves! Available in single or double deck, their 18 gauge, type 430 stainless steel construction ensures long-lasting durability to stand up to repeated use. Installation is simple as the whole shelf easily mounts to the end of your table using the "L" brackets, set screws, and wrench provided.



DRAWERS

Keep your kitchen organized by mounting a Regency galvanized steel drawer to the under structure of your work table. Each drawer features an easy-to-clean stainless steel front and moves on ball-bearing sides.

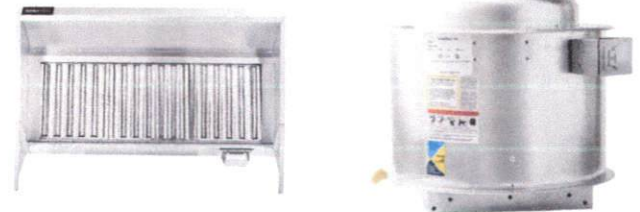


Halifax FTHP530 Type 1 Concession Trailer / Food Truck Hood System - 5' x 30"

Item #421FTHP530

Technical Data

| | |
|------------------|---------------------------|
| Length | 5 Feet |
| Depth | 30 Inches |
| Fire Suppression | Optional Fire Suppression |
| Made in America | Yes |
| Plug Type | Hardwire |
| Style | Food Truck Hood Systems |
| Type | Type 1 |



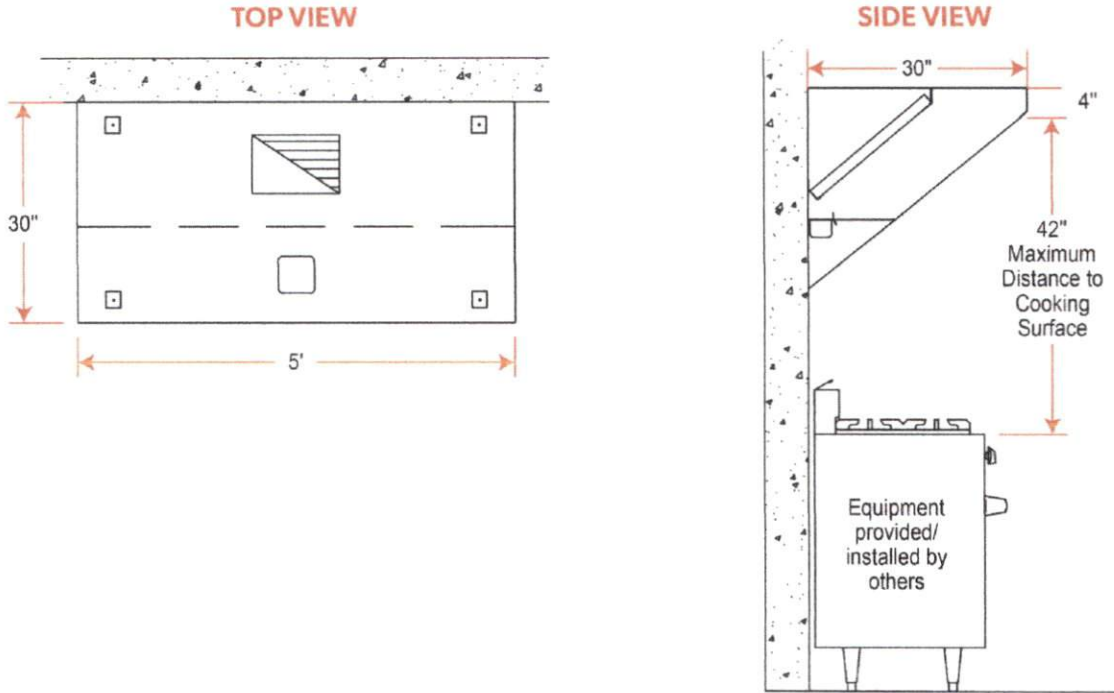
Features

- Type 1 hood for grease-producing equipment; exhaust-only system with no makeup air
- Includes sloped-front hood canopy and exhaust fan
- 18-gauge 430 stainless steel construction on all exposed surfaces
- For food truck and concession trailer installations
- 115V direct-drive exhaust fan (1000 CFM)

Certifications



Plan View



Notes & Details

Keep your kitchen free of hazardous grease buildup with this Halifax FTHP530 5' x 30" type 1 concession trailer / food truck hood system. This unit is suitable for use over any equipment that has a surface operating temperature under 700 degrees Fahrenheit, and that is required by fire code to have a type 1 hood when installed in a food truck or concession trailer - this includes fryers, griddles, charbroilers, conveyor pizza ovens, or any equipment that produces grease during the cooking process. The hood removes the grease-laden vapors produced by your equipment and prevents them from accumulating in places where they could become a fire or sanitation hazard, leaving your kitchen clean and safe to use! It is an exhaust-only system with no makeup or supply fan and also contains a 115V direct-drive exhaust fan designed for 1000 CFM. To make installation easy, it also includes a 2" high concession curb for the fan, a 12" length of duct work, a curb plate, and 12" x 9" side curtains. A variable dial control makes it easy to adjust the fan speed as needed to account for higher or lower ventilation needs.

The hood uses (3) 20" x 20" baffle-type filters, and the filters are made from stainless steel to provide durability and make cleaning easy. Grease extracted by the filter is collected in a grease trough, which drains into a stainless steel grease cup for disposal. 18-gauge 430 stainless steel is used on all exposed surfaces to give it excellent durability and cleanability, while the MIG-welded frame provides seamless, liquid-tight joints. The hood features a sloped-front canopy design that is great for low ceilings, providing extra front clearance and comfort for chefs, and dropping down close to the equipment in the back.

2 pre-wired lights (sent loose or installed) illuminate the equipment under your hood so that you can easily see what you're doing while cooking, and they require a 115V electrical connection to the junction box. The smooth top on this hood is great for tight installations because it allows maximum clearance. 4 hanger brackets can be included at your option to make installation easy. It must be hard-wired, cords and plugs are not included.

WARNING: This product can expose you to chemicals including lead, which are known to the State of California to cause cancer, birth defects, or other reproductive harm. For more information, go to www.p65warnings.ca.gov.



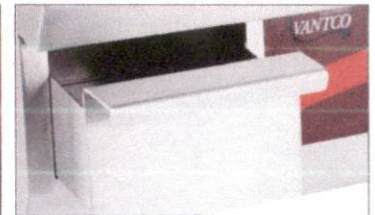
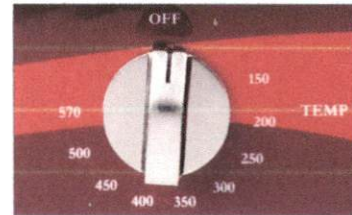
24" Electric Countertop Griddle

ITEM NUMBER

#177EG24N

SPECIAL FEATURES

- Stainless steel housing
- Stainless steel feet that are adjustable from 3½" to 5½"
- Adjustable temperature range of 150-570°F
- 3" steel splashguards on sides and back
- 208/240V, 1 Phase; 2675-3560W



RECOMMENDED COMPANION PRODUCTS

| Item Number | Product Description |
|--------------|---|
| 147FORMULAD | Noble Chemical Formula-D Decarbonizer and Degreaser |
| 181GS6 | Garde Grill Scraper |
| 579GRILLGEAR | Griddle Gear Cleaning Kit |
| 147QPGRIDDLE | Noble Chemical Griddle Kleen Packets |

TECHNICAL DATA

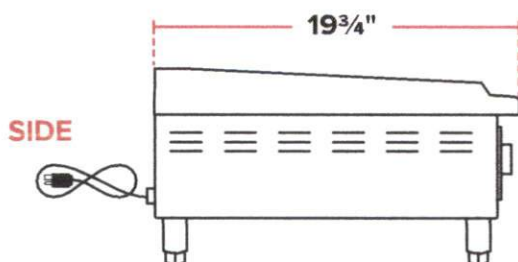
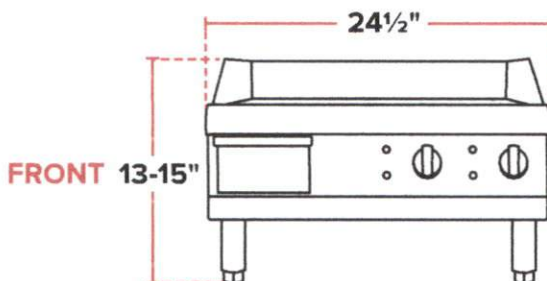
| | |
|-----------------------------------|-----------------------|
| Dimensions | 24½" x 19¾" x 13"-15" |
| Cooking Surface Dimensions | 24"W x 15½"D |
| Number of Burners | 2 |
| Controls | Thermostatic |
| Temperature Range | 150-570°F |
| Wattage | 2675-3560W |
| Hertz | 60 |
| Voltage | 208/240V |
| Amps | 12.86-14.83 |



Intertek

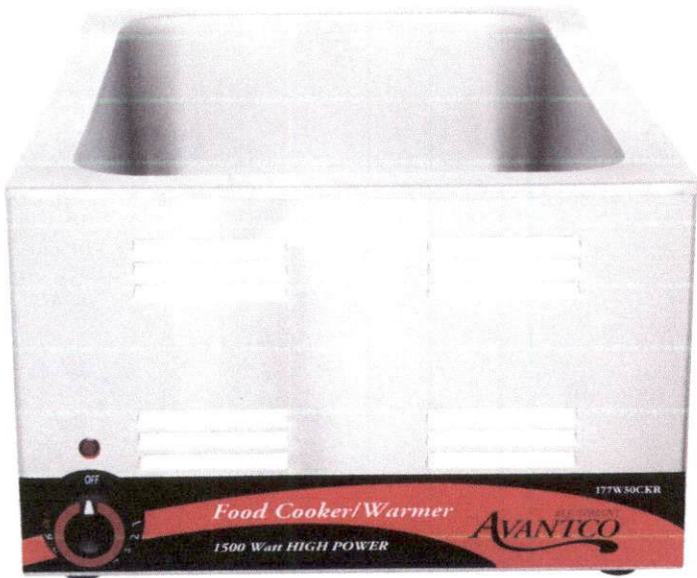


6-20P



PROJECT: _____
 MODEL: _____
 ITEM #: _____ QUANTITY: _____
 APPROVAL: _____ DATE: _____

D



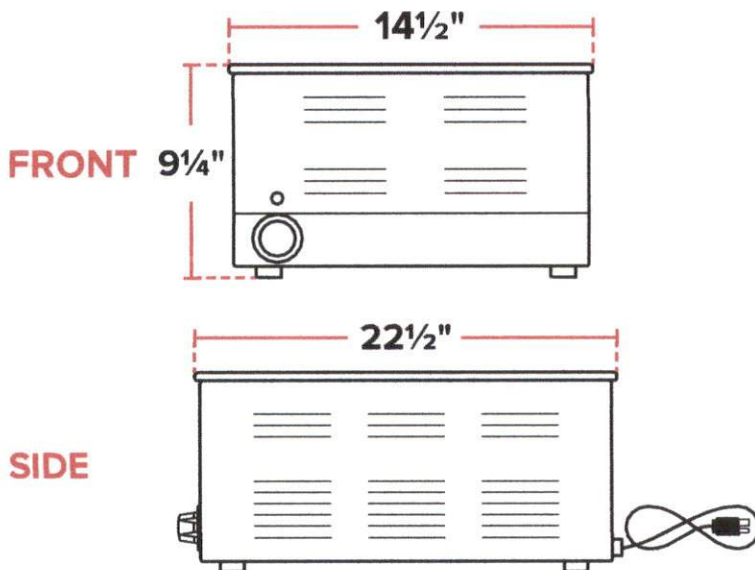
Full Size Electric Countertop Food Cooker/Warmer

ITEM NUMBER

#177W50CKR

SPECIAL FEATURES

- Cooks and holds your products at foodsafe temperatures
- Durable stainless steel food well
- Holds a full size 12" x 20" food pan or fractional size food pans (sold separately)
- 120-212°F temperature range; reaches 212°F in less than 30 minutes



TECHNICAL DATA

| | |
|---------------------|----------------------------|
| Interior Dimensions | 12" x 20" x 6 1/4" |
| Exterior Dimensions | 14 1/2" x 22 1/2" x 9 1/4" |
| Temperature Range | 120-212°F |
| Voltage | 120V |
| Wattage | 1500W |
| Hertz | 60Hz |
| Amps | 12.5 Amps |
| Phase | 1 |



5-15P

SSPT Series Salad/Sandwich Prep Table



MODEL #178SSPT36HC

www.AvantcoRefrigeration.com

SSPT SERIES - SANDWICH & SALAD PREP

Ample prep space to create subs, salads, and sandwiches with convenient cold ingredient storage

CABINET CONSTRUCTION

Heavy duty construction includes 430 type stainless steel exterior with a 304 type stainless steel interior and an overall 35¼" working height.

Foamed-in-place CFC- and HCFC-free polyurethane insulation enhances the structural strength of the cabinet and helps increase energy efficiency. Insulated lid helps maintain safe product temperatures.

Full length, 10½" deep cutting board for easy prep work.

Easy-to-use recessed full-length stainless steel handles. Door stays open past 90° for easy loading, but will self-close under 90° to save energy.

REFRIGERATION SYSTEM

Environmentally safe R290 refrigerant. Rear-mounted condensing unit positioned for easy maintenance.

SHELVING

2 epoxy-coated wire shelf accommodates up to 90 lb. each.

MODEL FEATURES

Preprogrammed digital controller features auto-defrost function.

Top pan rail holds up to (10) ½ size, 6" deep food pans. Pan rail is air cooled from the bottom.

SPECIAL FEATURES

- Eco-friendly R290 hydrocarbon refrigerant
- Top holds up to (10) ½ size, 6" deep food pans
- Full length, ¾" thick, 10½" deep cutting board for easy prep work
- Insulated lid helps maintain safe product temperatures
- Double self-closing swing doors with recessed full-length stainless steel handles
- 2 epoxy coated wire shelves
- 430 type stainless steel exterior and 304 type stainless steel interior
- Digital temperature controls hold at 33-40°F
- 115V, 1/5 hp
- Pan rail is air cooled from the bottom



WARRANTY

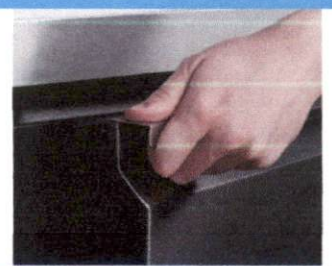
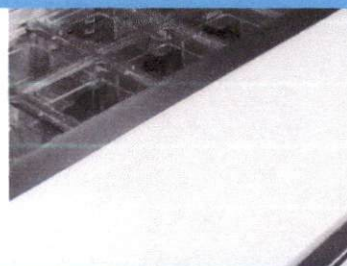
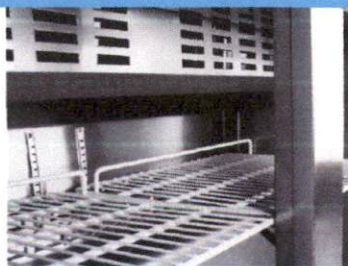
RESIDENTIAL: Avantco assumes no liability for parts or labor coverage for component failure, factory defect or any other damages for units installed in non-commercial foodservice or residential applications.



Parts & Labor



Compressor



SSPT Series Salad/Sandwich Prep Table

MODELS #178SSPT36HC



www.AvantcoRefrigeration.com

TECHNICAL DATA

Dimensions

| | |
|---------------------------|-----------------------|
| Exterior Dimensions | 36¼"W x 30½"D x 42¾"H |
| Interior Dimensions | 32¼"W x 23¾"D x 23½"H |
| Working Height | 35¼" |
| Overall Height (Lid Open) | 47¼" |
| Net Volume | 9 cu. ft. |
| Net Weight | 242 lb. |
| Gross Weight | 297 lb. |
| Packaging Dimensions | 40½"W x 33¾"D x 45½"H |

Construction

| | |
|---------------------|-------------------------------|
| Exterior Material | Type 430 Stainless Steel |
| Interior Material | Type 304 Stainless Steel |
| Insulation Material | Foamed-in -place polyurethane |
| Shelf Size | (2) 15⅞" x 17¼" |
| Shelf Material | Epoxy-coated steel |
| Shelf Load Capacity | 90 lb. |

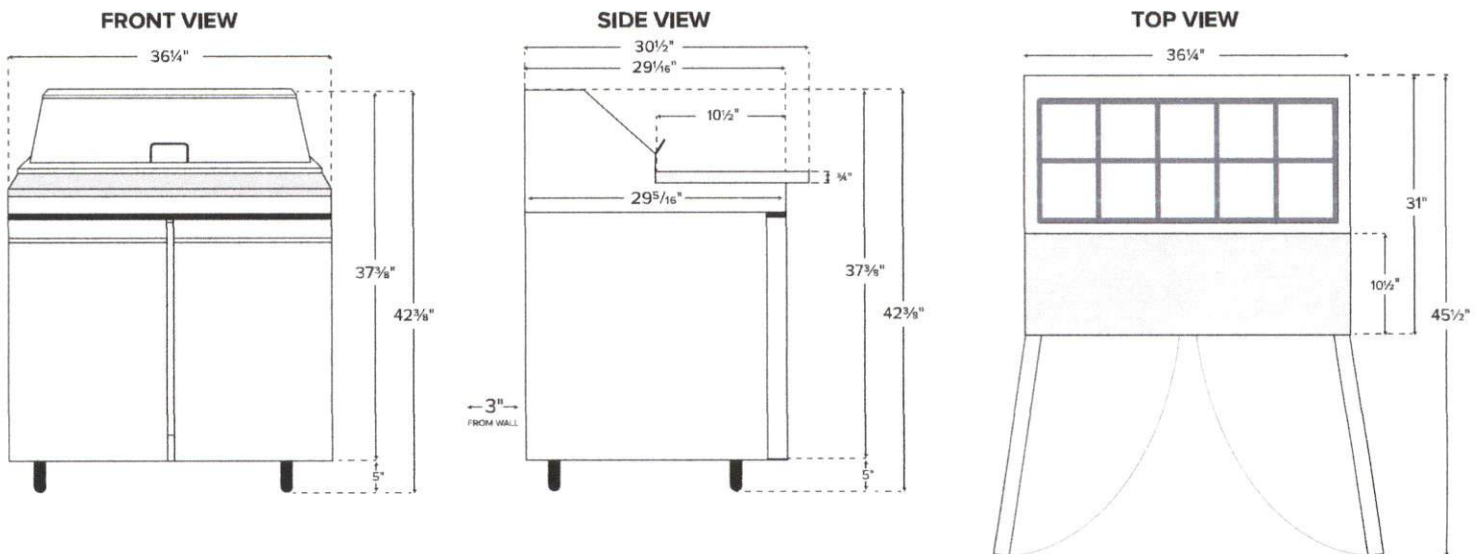
Cooling

| | |
|--------------------------|-------------|
| Temperature Range | 33°F - 40°F |
| Refrigerant | R290 |
| Max. Ambient Temperature | 90°F |
| Defrosting | Automatic |
| Temperature Controller | Digital |
| Horsepower | 1/5 |

Electrical

| | |
|------------------------|------------|
| Voltage | 115 |
| Amps | 4.6 |
| Hz | 60 |
| Phase | 1 |
| Plug Type | NEMA 5-15P |
| Electrical Cord Length | 84" |

PLAN VIEW



NEMA 5-15P

Galaxy CF10HC Commercial Chest Freezer - 9.6 cu. ft.

Item #177CF10HC

Special Features

- Durable aluminum interior, painted steel exterior; 9.6 cu. ft. of interior storage space with lock
- Foamed in place polyurethane insulation helps maintain performance even in 100 degree ambient
- Includes 1 epoxy-coated steel basket with a weight capacity of 33 lb.
- Designed and NSF-7 certified by ETL for commercial use to provide reliability, durability, and ease of use
- 1/5 hp; uses eco-friendly R600a refrigerant

Technical Data

| | |
|--------------------------|-----------------|
| Width | 40 5/8 Inches |
| Depth | 29 3/4 Inches |
| Height | 33 Inches |
| Interior Width | 34 5/8 Inches |
| Interior Depth | 20 5/8 Inches |
| Interior Height | 25 1/2 Inches |
| Amps | 1.5 Amps |
| Hertz | 60 Hertz |
| Voltage | 115 Volts |
| Wattage | 172.5 Watts |
| Capacity | 9.6 cu. ft. |
| Door Style | Swing |
| Door Type | Solid |
| Horsepower | 1/5 HP |
| Number of Doors | 1 Doors |
| Plug Type | NEMA 5-15P |
| Refrigerant Type | R-600a |
| Temperature Range | 0 - 8 Degrees F |



Certifications



ETL Sanitation

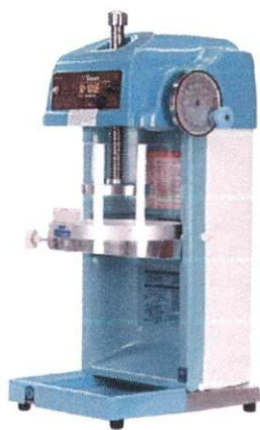


ETL US



5-15P

WARNING: This product can expose you to chemicals including Lead, which are known to the State of California to cause cancer, birth defects, or other reproductive harm. For more information, go to www.p65warnings.ca.gov.





**Swan SI-100E Block Ice Shaver**Item #SI100EA
★★★★★
(2 reviews)

✓ IN STOCK

WAS \$1,999.00

NOW: \$1,845.00 (You Save 8%)QTY:

Additional Products We Recommend

| Add? | Qty | |
|--------------------------|--------------------------------|---|
| <input type="checkbox"/> | <input type="text" value="1"/> |  Replacement Swan SI-100E Blade NOW: \$48.24 |
| <input type="checkbox"/> | <input type="text" value="1"/> |  Round Ice Mold NOW: \$4.24 |
| <input type="checkbox"/> | <input type="text" value="1"/> |  Aluminum Shaved Ice Drip Tray NOW: \$67.99 |
| <input type="checkbox"/> | <input type="text" value="1"/> | Warranty for Shaved Ice Machine  Choose Warranty Option Below  NOW: \$99.00 |

 **Add to Cart**

Finance as Low as...

✓ \$55 / month

Click to Apply Now!

DESCRIPTION

SPECS

SHIPPING

The Swan SI-100E is one of our best selling upright block ice shavers and is perfect for high-volume shaved ice business locations. It creates ultra-fine snow that absorbs flavoring quickly and can produce 4.6 pounds of shaved ice per minute.

This Swan shaved ice machine can hold a 7-pound square or round block of ice and features nearly 10 inches of clearance beneath the shaving disc for easy access with large cups. We recommend your ice be no larger than 6" wide by 6" tall if you are using a square block and no larger than 8" in diameter by 6" tall using a round block. At 1-800-Shaved-Ice, we carry the Swan block ice shaver in other models, including 220-volt (international) or 12-volt (battery operated). Each machine, including this model, includes a pre-installed blade plus an additional spare blade.

This machine has a 1/2 horsepower motor, is NSF approved and comes with a 1 year manufacturer's warranty. This Hawaiian style shaver is the signature Swan teal blue color which has always been an added plus for this machine.

The Swan SI-100E is incredibly durable with a metal frame masked with a high-quality plastic casing. The convenient drip tray with drain tube is perfect for redirecting and draining any ice overspray. However, we do recommend adding a larger drip pan with this model to ensure you have additional protection from overspray under your machine.

The machine weighs about 74 pounds and we recommend installing it on a sturdy and level surface. It does not include a hands-free foot pedal, however, we do suggest adding one to your shopping cart, you'll be glad you did. By doing so, you can easily use two hands to collect falling snow into your cup!

If you're unfamiliar with the Swan SI-100E or any of the other block ice shavers, we recommend checking out our Shaved Ice University to learn more and encourage you to watch the video we provided above. We suggest you thoroughly understand your machine before making a purchase and know the tempering process (allowing your ice to warm up before shaving). You may also refer to the user's manual below or call us any time with questions you may have.

SPECS

- Machine Dimensions: 12" W x 15" D x 28" H
- Machine Weight: 68 lbs.
- Motor Size: 1/2 HP
- Electrical: 115V 4.5A 200W
- Ice Block Size: 6" x 6" x 6" (s)
- Shaving Capacity: 4.6 lbs. per minute
- Blade Life: 3,000 - 4,000 servings
- Shipping Weight: 74 lbs.
- Shipping Dimensions: 22" x 37" x 23"
- Manufacturers Warranty: 1 Year
- Certifications: NSF Certified
- Ice Consistency on our *Fluffiness Scale*: 10

Swan SI-100E Block Ice Shaver Owner's Manual

SHIPPING

🚚 This item ships in 1-2 business days from our warehouse.

Transit times vary based on the shipping destination. This item is shipped via LTL Freight. Shipping costs are based on the weight and dimensions of the item along with distance from our warehouse to the destination. Someone 18 years or older must be available to sign for this machine upon delivery.

Maximum dimensions for original manufacturer's packaging are 110" x 110" x 110" for shipping purposes.

YOU MAY ALSO LIKE

**New Orleans Block Shaved Ice Machine**

WAS \$2,477.99

NOW: \$2,389.50**Hatsuyuki HF-500E Block Shaved Ice Machine**

WAS \$2,316.00

NOW: \$2,095.00

ADC Series Ice Cream Dipping Cabinet

MODEL #360ADC4HC



08/2018

www.AvantcoRefrigeration.com

ADC SERIES - DIPPING CABINETS

Great for displaying, merchandising and serving a delicious variety of ice cream flavors.

CABINET CONSTRUCTION

Sturdy design features white powder-coated steel exterior and painted steel interior.

Foamed-in-place CFC- and HCFC-free polyurethane insulation enhances the structural integrity of the cabinet and promotes energy efficiency.

Locking glass lid provides constant product visibility to showcase a variety of ice cream flavors.

REFRIGERATION SYSTEM

Environmentally-safe R290 refrigerant. Side-mounted condensing unit for side and rear ventilation. Cold wall design prevents cold air from escaping.

STORAGE

Displays (4) 3-gallon tubs of ice cream at the perfect height for service. Additional storage for (2) 3-gallon tubs underneath.

MODEL FEATURES

Pre-drilled holes for dipper well installation on back of the cabinet.

2" diameter casters provide mobility for easy cleaning and service.

Drain plug located on backside of unit.

SPECIAL FEATURES

- Displays up to 4 ice cream tubs; space beneath display to store up to 2 back-up tubs
- White, curved-front design with painted steel construction
- Holds temperatures between -13 and 0°F; manual temperature control
- Environmentally-safe R290 refrigerant; manual defrost feature
- Perfect for ice cream shops, dessert bars, and cafeterias
- 115V, 1/4 hp

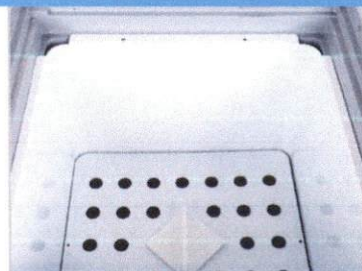
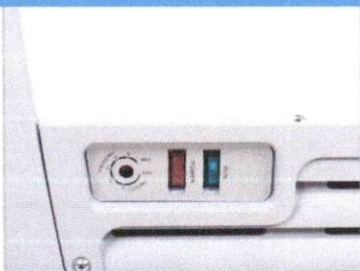


WARRANTY

RESIDENTIAL: Avantco assumes no liability for parts or labor coverage for component failure, factory defect or any other damages for units installed in non-commercial foodservice or residential applications.



Replacement



ADC Series Ice Cream Dipping Cabinet

MODEL #360ADC4HC



www.AvantcoRefrigeration.com

TECHNICAL DATA

Dimensions

| | |
|----------------------|---|
| Exterior Dimensions | 26 ¹ / ₈ "W x 28 ¹ / ₈ "D x 34 ¹ / ₂ "H |
| Interior Dimensions | 24 ³ / ₈ "W x 27"D x 20 ⁷ / ₈ "H |
| Net Volume | 4.25 cu. ft. |
| Net Weight | 124 lb. |
| Gross Weight | 137 lb. |
| Packaging Dimensions | 26 ¹ / ₄ "W x 30"D x 37 ¹ / ₂ "H |
| Tubs Displayed | 4 |
| Tubs Stored | 2 |

Construction

| | |
|---------------------|------------------------------|
| Exterior Material | Painted Steel |
| Interior Material | Painted Steel |
| Insulation Material | Foamed-In-Place Polyurethane |
| Tub Holder Material | Painted Steel |

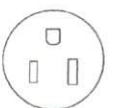
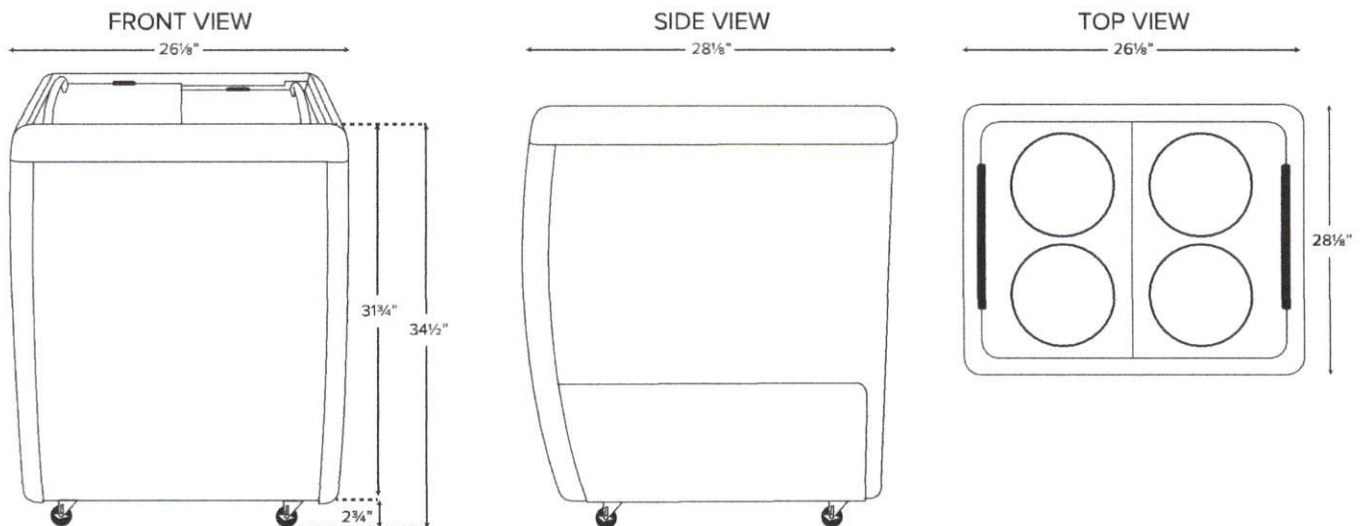
Cooling

| | |
|--------------------------|-------------|
| Temperature Range | (-13) - 0°F |
| Refrigerant | R290 |
| Max. Ambient Temperature | 90°F |
| Defrosting | Manual |
| Temperature Controller | Manual |
| Horsepower | 1/4 |
| BTU | 682 |

Electrical

| | |
|------------------------|------------|
| Voltage | 115 |
| Amps | 3 |
| Hz | 60 |
| Phase | 1 |
| Plug Type | NEMA 5-15P |
| Electrical Cord Length | 70" |

PLAN VIEW



NEMA 5-15P

STAINLESS STEEL WALL MOUNTED HAND SINKS WITH GOOSENECK FAUCETS

ITEM #: _____ QUANTITY: **J**

PROJECT: _____

APPROVAL: _____

DATE: _____

REGENCY
Tables and Sinks

FEATURES

- 20-gauge type 304 stainless steel
- Single bowl with 1½" IPS drain basket
- Easy-to-install 8" gooseneck faucet included
- Holes punched on 4" centers
- 8" backsplash
- Perfect for hand washing throughout the workday



SPECIFICATIONS

| ITEM | OVERALL (LEFT TO RIGHT) | OVERALL (FRONT TO BACK) | OVERALL (HEIGHT) | BOWL (LEFT TO RIGHT) | BOWL (FRONT TO BACK) | BOWL DEPTH |
|---------|----------------------------|----------------------------|---------------------|-------------------------|-------------------------|---------------|
| 600HS12 | 12" | 16" | 10" | 9" | 9" | 4" |
| 600HS17 | 17" | 15" | 13½" | 14" | 10" | 5½" |

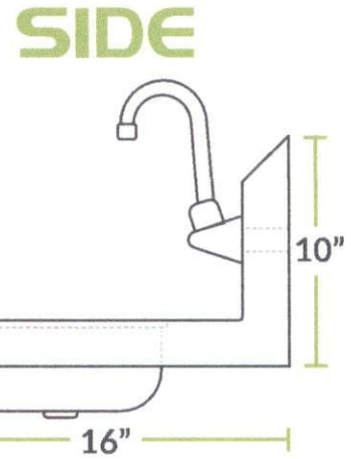
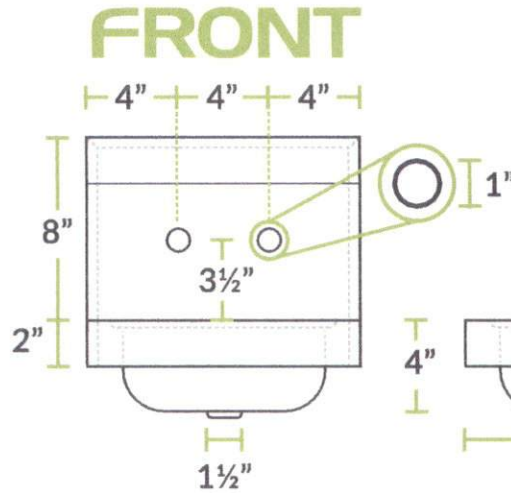
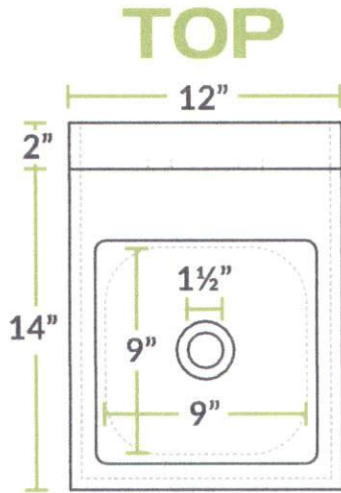
01/2019

REGENCYTABLESANDSINKS.COM

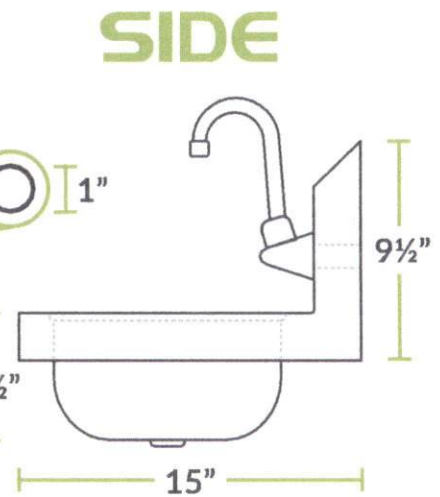
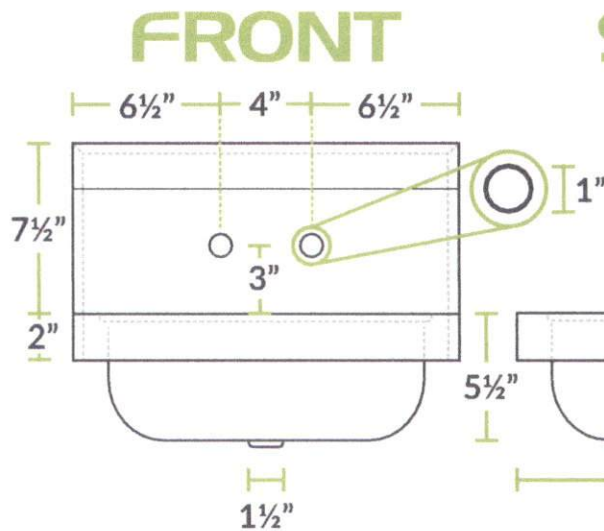
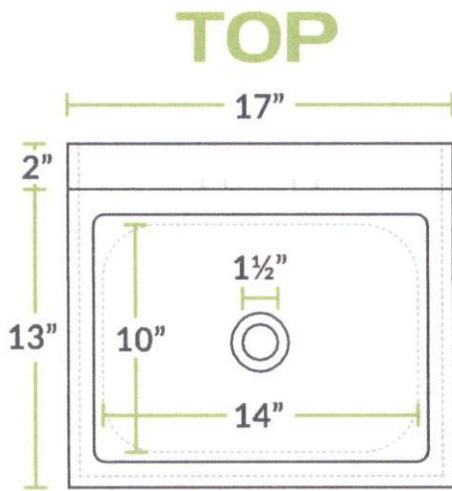
STAINLESS STEEL WALL MOUNTED
HAND SINKS
 WITH GOOSENECK FAUCETS



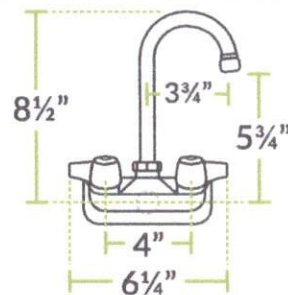
600HS12 • 12" X 16"



600HS17 • 17" X 15"



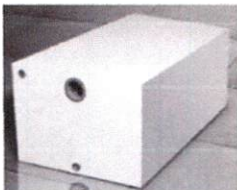
FAUCET



30 Gallon Rv Water Tank

SKU: R-RVB350

\$226⁵⁰



K

Fitting Package:

Select fitting package options

* Required Fields

Part Number: R-RVB350

Technical Drawings

Capacity: 30 Gallons

[Fitting.Dwg](#)

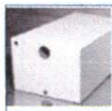
Dimensions: 33"L x 20 1/2"W x 11"H

[Fitting Instructions Video](#)

Ships From: Tustin, CA

- 1 +

Add To Cart



Product Overview

Specifications

Shipping Info

Reviews

Description:

30 Gallon Rv Fresh Water Tank

R-RVB350, 30 gallon rv fresh water holding tanks are FDA approved for fresh potable drinking water storage. Yes, these tanks can also be used for rv toilet (head) holding tanks, greywater and blackwater situations.

- Perfect for storage of fresh drinking water on rvs, campers, motorhomes, travel trailers.
- Rotomolded using FDA approved polyethylene plastic resin.
- Tank dimensions can be rotated to meet your needs.

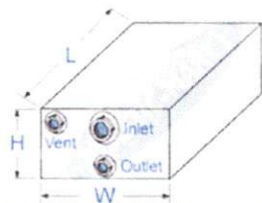
Fitting Options:

- Option 1: Standard Fitting Package Option As Shown In Image:
 - 1-1/4" Female NPT Threaded Fitting Top Center Inlet
 - 1/2" Female NPT Threaded Fitting Bottom Center Outlet
 - 1/2" Female NPT Threaded Fitting Top Corner Vent Fitting
- Option 2: Blank Tank - You can purchase the tank with no fittings or holes and install your own. This tank will be a blank box with no holes or fittings.
- Option 3: Build Your Own Tank - For an additional fee we will install the fittings according to the specifications you request. If you select this option, email or fax us the [fitting drawing](#) indicating the locations and sizes you want the fittings to be. We will contact you to go over it with your additional cost. Once both parties have approved your drawing we will complete your order.

*Mounting straps are not offered on this item.

*Not intended for gasoline fuel storage.

*If needed we will create a custom tank for your project.



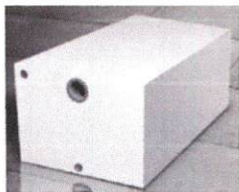
Standard Fittings

Inlet - 1 1/4" NPT

Vent - 1/2" NPT

Outlet - 1/2" NPT

| | |
|--------------------|------------------------|
| SKU | R-RVB350 |
| Part Number | R-RVB350 |
| Mfr. Part Number | RVB350 |
| Capacity (Gallons) | 30 |
| Dimensions | 33"L x 20 1/2"W x 11"H |
| Weight (lbs) | 30 |
| Wall Thickness | 3/16" |
| Material | Polyethylene |
| Manufacturer | Ronco Plastics |



35 Gallon Rv Water Tank

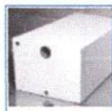
SKU: R-RV2W

\$309³⁷



Fitting Package:* Required Fields

Part Number: R-RV2W Technical Drawings
Capacity: 35 Gallons [Fitting Dwg](#)
Dimensions: 37 1/2"L x 19"W x 12"H [Fitting Instructions Video](#)
Ships From: Tustin, CA



- 1 +

Add To Cart

[Product Overview](#) [Specifications](#) [Shipping Info](#) [Reviews](#)

Description:

35 Gallon Rv Fresh Water Tank

R-RV2W, 35 gallon rv fresh water holding tanks are FDA approved for fresh potable drinking water storage. Yes, these tanks can also be used for rv toilet (head) holding tanks, greywater and blackwater situations.

- Perfect for storage of fresh drinking water on rvs, campers, motorhomes, travel trailers.
- Rotomolded using FDA approved polyethylene plastic resin.
- Tank dimensions can be rotated to meet your needs.

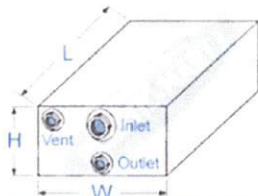
Fitting Options:

- Option 1: Standard Fitting Package Option As Shown In Image:
 - 1-1/4" Female NPT Threaded Fitting Top Center Inlet
 - 1/2" Female NPT Threaded Fitting Bottom Center Outlet
 - 1/2" Female NPT Threaded Fitting Top Corner Vent Fitting
- Option 2: Blank Tank - You can purchase the tank with no fittings or holes and install your own. This tank will be a blank box with no holes or fittings.
- Option 3: Build Your Own Tank - For an additional fee we will install the fittings according to the specifications you request. If you select this option, email or fax us the [fitting drawing](#) indicating the locations and sizes you want the fittings to be. We will contact you to go over it with your additional cost. Once both parties have approved your drawing we will complete your order.

*Mounting straps are not offered on this item.

*Not intended for gasoline fuel storage.

*If needed we will create a custom tank for your project.



Standard Fittings

Inlet - 1 1/4" NPT
Vent - 1/2" NPT
Outlet - 1/2" NPT

| | |
|--------------------|-------------------------|
| SKU | R-RV2W |
| Part Number | R-RV2W |
| Mfr. Part Number | RV2W |
| Capacity (Gallons) | 35 |
| Dimensions | 37 1/2"L x 19" W x 12"H |
| Weight (lbs) | 19 |
| Wall Thickness | 3/16" |
| Material | Polyethylene |
| Manufacturer | Ronco Plastics |



SEAFLO 33-Series Industrial Water Pressure Pump w/ Power Plug for Wall Outlet - 115VAC, 3.3 GPM, 45 PSI

Visit the SEAFLO Store

★★★★☆ 2,213 ratings

\$109⁹⁹

& FREE Returns

Get \$50 off instantly: Pay \$59.99 \$109.99 upon approval for the Amazon Rewards Visa Card. No annual fee.

| | |
|-----------------------|---------------------------|
| Brand | SEAFLO |
| Color | Black, White |
| Material | Viton |
| Style | Diaphragm Pump |
| Item Dimensions LxWxH | 7.98 x 5.11 x 4.84 inches |
| Power Source | Ac |

See more

About this item

- UL 778 & CSA 22.2 Certified
- Self-Priming up to 6 vertical feet
- 3.3 GPM Flow Capacity, 115V AC Current Draw .75 amps (1.2 Max Amps)
- Built-in Adjustable Pressure Switch that turns on/off at 45 PSI
- Plugs into standard wall outlet with pre-installed power plug

See more product details

Additional Details



Small Business

This product is from a small business brand. Support small. [Learn more](#)

Customer ratings by feature

| | |
|-----------------|-----------|
| Easy to install | ★★★★☆ 4.3 |
| Suction power | ★★★★☆ 4.1 |
| Value for money | ★★★★☆ 3.9 |

See more

New (3) from \$109.99 & FREE Shipping.

5% off coupon



Water Pressure Diaphragm Pump Industrial 115V, Self Priming Pump 4 Gpm 45 Psi include Power Plug, Fittings Strainer Filter for Kitchen Bathroom RV Marin...

★★★★☆ 263

\$72⁹⁹ prime

Sponsored



Roll over image to zoom in





WGen9500 Generator

★★★★☆ 4.3 (17/87) Write a review

- Up To 12 Hour Run Time with Remote and Electric start
- Transfer and ST Switch Ready. Ideal for Home Backup Power
- 12500 Peak Watts and 9500 Rated Watts

\$1,149.00

Where To Buy:



OVERVIEW

SPECIFICATIONS

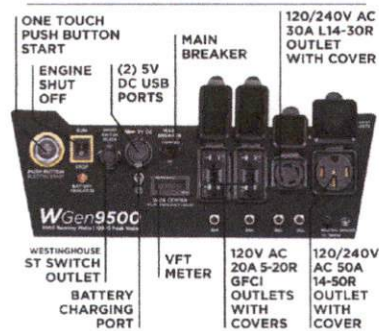
MANUALS

REVIEWS

The Westinghouse WGen9500 Portable Generator (44712500) peak watts and 9500 running watts is the perfect solution to your home backup power needs. This heavy-duty 4-stroke OHV Westinghouse Engine is constructed of a durable cast-iron sleeve and runs for up to 12 hours on a 6.6-gallon (25 L) gasoline tank, keeping you powered through the day with built-in fuel gauge, automatic low oil shutdown, and GFCI outlets. Push-Button Electric Start makes starting this generator effortless. While the remote start key fob offers the ease of distance ignition, its intuitive control panel spotlights the Transfer Switch Ready (L) 30A and larger (R) 50R outlets to power all your major appliances like your air conditioner, refrigerator, and sump pump, as well as lights or entertainment centers at the same time. A 3.5" digital color LCD VFT Data Center displays real output, frequency, and lifetime hours to keep you up to date with real-time information and regular maintenance. Conveniently portable with an included set of heavy-duty heavy-flat wheels, foam grip handle, and lift bracket, it's made your house, travel trailer, or job site powered in seconds. The WGen9500 is complete with a 3-year Limited Warranty and Lifetime Technical Support backed by our nationwide customer service and support network.

- Perfect as a backup power source for larger homes or a dependable source of portable power
- 9500 rated watts and 12500 peak watts
- Runs for up to 12 hours on a 6.6-gallon fuel tank with built-in fuel gauge
- Powered by a heavy-duty 497cc 4-Stroke OHV Westinghouse Engine constructed with a durable cast-iron sleeve
- Push-Button Electric Start pairs with remote start key fob and is backed by emergency remote start
- Westinghouse 3.5" LCD with up to 14 data operating volume
- 23 (12/24V) household duplex outlets, 4 Transfer Switch Ready (L) 30R (200VA) volt hour lock (12/240V) 14 50R receptacle, and 4 USB ports with rubber outlet covers
- VFT display gives you real-time updates with the current output, frequency, and lifetime hours
- Safety equipment with automatic low oil shutdown, automatic voltage regulation, and overload protection
- Rugged steel frame with foam grip handle and rugged heavy-flat wheels make portability easy
- All Westinghouse portable generators are functionally tested in the factory and may contain minor manufacturing tolerances.

CONTROL PANEL



| | |
|-----------------------------|--|
| Gasoline Peak Watts | 12500 |
| Gasoline Peak Amps | 52A - 240V 104A - 120V |
| AC Voltage | 120/240V |
| Outlets | 2 Duplex 120V 5-20R 120/240V L14-30R 120/240V 14-50R 2 USB ports ST Switch |
| GFCI Outlets | Yes |
| Transfer Switch Ready | Yes |
| ST Switch Ready | Yes |
| Noise Level | 74 dBA |
| Fuel Tank Capacity | 6.6 gal (25 L) |
| Gasoline Run Time @ 50% | 8 hrs |
| Choke Type | Automatic |
| Engine Type | OHV 4-Stroke |
| Engine Oil Type | 10W30 |
| Carbon Monoxide (CO) Sensor | No |
| CARB Compliant | Yes |
| Battery Included | Yes |
| Warranty (Residential) | 3 Year Limited |
| Product Dimensions | 27.2L x 26.1W x 26.5H in |
| Packaging Dimensions | 31L x 21.5W x 23H in |
| UPC | 853544008799 |

| | |
|----------------------------|---|
| Gasoline Running Watts | 9500 |
| Gasoline Running Amps | 39.5A - 240V 79A - 120V |
| AC Frequency | 60 Hz |
| Total Harmonic Distortion | 42% |
| Outlet Covers | Yes |
| RV Ready | Yes |
| Display Type | Digital Readout |
| Fuel Gauge | Yes |
| Gasoline Run Time @ 25% | 12 hrs |
| Starter Type | Electric, Remote, Recoil |
| Engine Displacement | 457cc |
| Oil Capacity | 37.2 oz (1.1 qt.) |
| Automatic Low Oil Shutdown | Yes |
| Overload Protection | Yes |
| Grounding System | Bonded Neutral |
| Included Accessories | Oil Bottle, Oil Funnel, Spark Plug, Wrench, Remote, Battery Float Charger |
| Warranty (Commercial) | 1 Year Limited |
| Dry Unit Weight | 208 lb (94.3 kg) |
| Shipping Weight | 221 lb (100.2 kg) |

18" STAINLESS STEEL DROP-IN ICE BIN

ITEM #: _____ QUANTITY: _____

PROJECT: _____

APPROVAL: _____

DATE: _____

M

REGENCY
Tables and Sinks

FEATURES

- Made of 20 gauge, 304 stainless steel
- 1" NPT drain tubing
- Stainless steel sliding lid included
- Perfect for storing ice conveniently close at hand



SPECIFICATIONS

| ITEM | OVERALL (LEFT TO RIGHT) | OVERALL (FRONT TO BACK) | OVERALL (HEIGHT) | ICE BIN (LEFT TO RIGHT) | ICE BIN (FRONT TO BACK) | ICE BIN DEPTH | ICE BIN CAPACITY |
|-------------|----------------------------|----------------------------|------------------------------------|----------------------------------|----------------------------------|----------------------------------|---------------------|
| 600DIIB1824 | 24" | 18" | 11 ¹⁵ / ₁₆ " | 20 ¹ / ₈ " | 13 ¹ / ₂ " | 10 ⁷ / ₈ " | 50 lb. |
| 600DIIB1830 | 30" | 18" | 11 ¹⁵ / ₁₆ " | 26 ¹ / ₈ " | 13 ¹ / ₂ " | 10 ⁷ / ₈ " | 62 lb. |
| 600DIIB1836 | 36" | 18" | 11 ¹⁵ / ₁₆ " | 32 ¹ / ₈ " | 13 ¹ / ₂ " | 10 ⁷ / ₈ " | 75 lb. |

09/2019

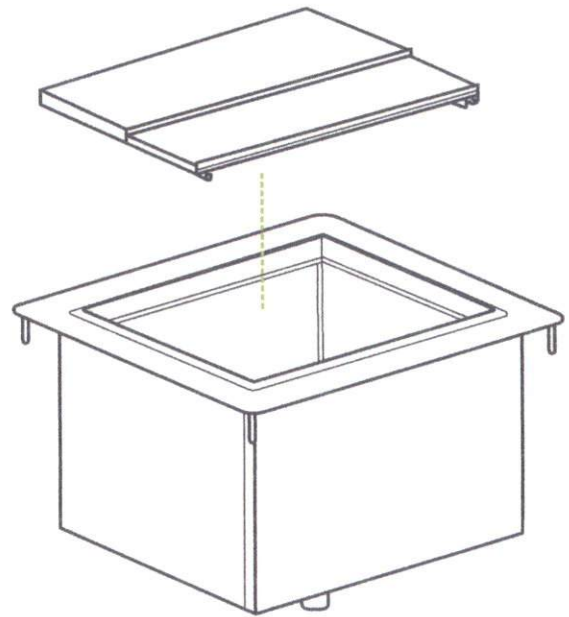
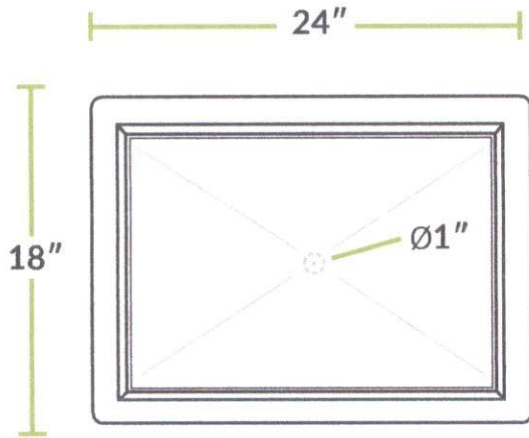
REGENCYTABLESANDSINKS.COM

18" STAINLESS STEEL DROP-IN ICE BIN

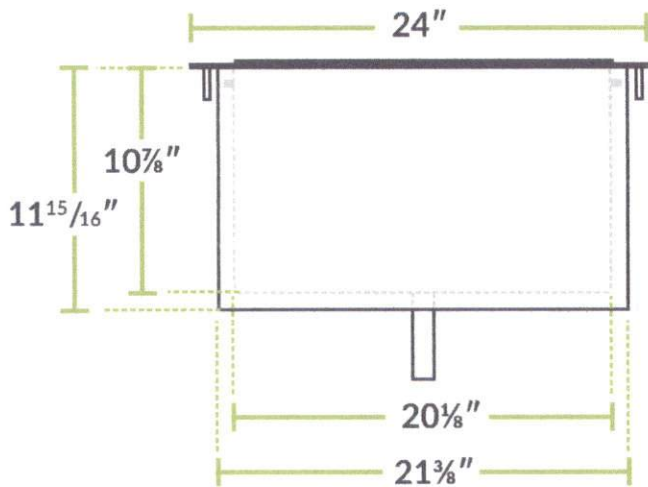
REGENCY
Tables and Sinks

600DIIBI824

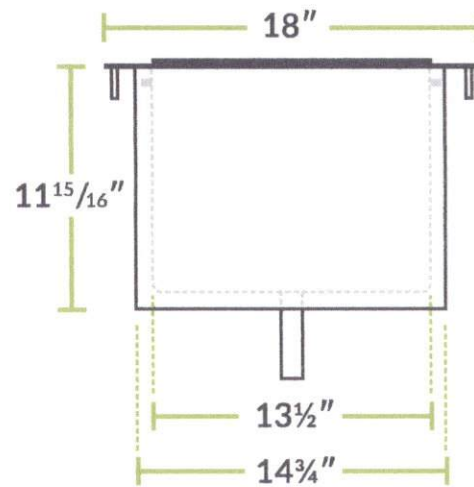
TOP



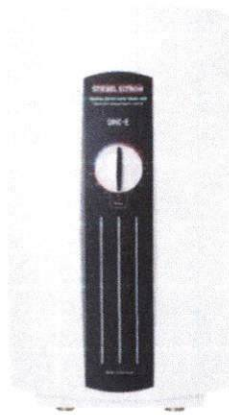
FRONT



SIDE



208/240VAC, Commercial Electric Tankless Water Heater, Undersink



Zoro #: G6088232 Mfr #: DHC-E 12

★★★★★ 5.0 2 Reviews [Write a Review](#)

\$299.00

- Item: Electric Tankless Water Heater
- Item - Water Heaters: Electric Tankless Water Heater
- Water Heater Design: Point-of-Use

[See full product details](#)

In Stock

Item ships from Zoro in 1 business day.

This item ships **FREE**.

(Sign in or create an account for free shipping on orders over \$50)

[Shipping & Returns](#)

Quantity

Total: \$299.00

[Add to Cart](#)

[Join our email list and get 10% off your first order](#)

Tap to zoom

[Help us improve our product images](#)

Stiebel Eltron #DHC-E 12 Specifications

Zoro #: G6088232 Mfr #: DHC-E 12

Item: Electric Tankless Water Heater

Water Heater Design: Point-of-Use

Commercial / Residential: Commercial

Amps - Water Heaters: 50

Min. Flow Activation: 0.37 gpm

Temp. Range - Water Heaters: 85 Degrees to 140 Degrees F

Wire Size: 6 AWG

Temp. Rise @ 1.5 GPM: 41/55 Degrees F

Temp. Rise @ 6.0 GPM: 10/14 Degrees F

Temp. Rise @ 2.5 GPM - Water Heaters: 25/33 Degrees F

Watts: 9000/12,000

Width: 7-7/8"

Depth: 4-1/8"

Amps AC: 50

Phase: 1

Temp. Range: 85 Degrees to 140 Degrees F

Voltage: 208/240VAC

[Help us improve our product information](#)

Item - Water Heaters: Electric Tankless Water Heater

Water Heater Application: Undersink

Watts - Water Heaters: 9000/12,000

Voltage - Water Heaters: 208/240

Phase - Water Heaters: 1

Temp. Rise @ 8.0 GPM: 8/10 Degrees F

Residential / Commercial: Commercial

Temp. Rise @ 2.5 GPM: 25/33 Degrees F

Features: Advanced Microprocessor Control, Code Compliance Made Easy, No Scalding, Simple Plumbing System Design, Sleek Design Fits In Anywhere, Seismic Proof Construction, Superior, German Engineered for Proven Reliability

Pressure Range: 150 psi

Height: 14 3/16"

Elements: Copper Sheathed Housed in Cylinder

Standards: ANSI/UL Standard 499, Certified to CAN/CSA E335-1 & E335-2:35

Temp. Rise @ 4.0 GPM: 15/20 Degrees F

Mounting: Vertical

Water Connection: 3/4" NPT

Country of Origin (subject to change): Germany

Description

Electric Tankless Water Heater, Point-of-Use, Water Heater Application Undersink, Commercial, Watts - Water Heaters 9000/12,000, Amps - Water Heaters 50 A, Voltage - Water Heaters 208/240, Min. Flow Activation 0.37 gpm, Phase - Water Heaters 1, Temp. Range - Water Heaters 85 Degrees to 140 Degrees F, Water Connection 3/4 in NPT, Temp. Rise @ 1.5 GPM 0.7455 Degrees F, Temp. Rise @ 6.0 GPM 0.7143 Degrees F, Temp. Rise @ 2.5 GPM - Water Heaters 0.7576 Degrees F, Temp. Rise @ 4.0 GPM 0.75 Degrees F



Regency 38 1/2" 16-Gauge Stainless Steel One Compartment Commercial Sink with Galvanized Legs and 1 Drainboard - 18" x 18" x 14" Bowl - Left Drainboard

#60S1181818GL

P



Technical Data

| | |
|-------------------------------|------------------|
| Length | 38 1/2 Inches |
| Width | 23 1/2 Inches |
| Height | 44 3/4 Inches |
| Bowl Depth | 14 Inches |
| Backsplash Height | 9 3/4 Inches |
| Work Surface Height | 34 3/4 Inches |
| Basket Drain Size | 3 1/2 Inches |
| Bowl Front to Back | 18 Inches |
| Bowl Left to Right | 18 Inches |
| Faucet Centers | 8 Inches |
| Gauge | 16 Gauge |
| Leg Construction | Galvanized Steel |
| Material | Stainless Steel |
| NSF Listed | Yes |
| Number of Compartments | 1 Compartments |
| Number of Drainboards | 1 Drainboards |
| Stainless Steel Type | Type 304 |
| Style | 1 Drainboard |

Features

- Made of high-quality 16 gauge, type 304 stainless steel
- Designed with a 14" deep bowl with rounded corners for easy cleaning
- Galvanized steel legs and adjustable plastic bullet feet provide stability
- Includes a 3 1/2" basket strainer with 1 1/2" IPS drain connection
- Backsplash and rolled edges prevent splashes and overflow

Certifications






Notes & Details

Ideal for washing pots or prepping food, this Regency 38 1/2" 1 compartment sink with drainboard is a great addition to your busy commercial kitchen. It's made from high-quality, 16-gauge type 304 stainless steel, making it more corrosion-resistant and durable than other sinks made from thinner, 18-gauge material. This sink also features a drainboard so you can easily wash and dry dishes and utensils in one convenient location. And with a welded design, this sink provides added durability at key structural points.

The 14" deep bowl is die-stamped to a minimum of 1/4" to ensure proper drainage. Plus, it includes a 3 1/2" basket strainer to catch food debris, which prevents the drain from clogging. For easy cleaning, the compartment has rounded corners so you can rinse and wipe down the sink.

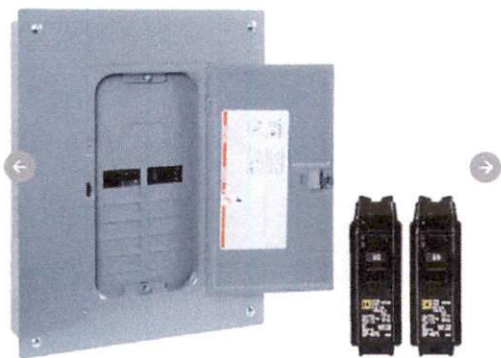
A 9 3/4" tall backsplash is included with (2) 1 1/8" diameter holes punched on 8" centers for a faucet (sold separately). This sink also comes complete with a 1 1/2" raised rolled edge, which is 2" tall on the front and both sides to contain splashes and overflow. The legs are made from 1 5/8" diameter galvanized steel, with plastic bullet feet that adjust to keep your sink level on installation.

 **WARNING:** This product can expose you to chemicals including Nickel and Lead, which are known to the State of California to cause cancer, birth defects, or other reproductive harm. For more information, go to www.p6Swarnings.ca.gov.

Square D® Homeline 125-Amp 12-Spaces 24-Circuit Convertible Main Lug Plug-On Neutral Load Center (Value Pack)

Item #443394 Model #HOM1224L125RDCV/P

Shop Square D ★★★★★ 35



♡ \$64.08

Save \$60.88 when you choose 5% savings on eligible purchases every day. [Learn how](#)

- Includes a fully distributed neutral bar, allowing for the installation of Homeline Plug-On Neutral combination arc fault breakers on any space
- Each pole space accepts full-size, tandem or quad breakers
- Ground and neutral bars accept up to (3) #10-14 equipment grounds

1 +

Hurry, Low in Stock

Add to Cart

Buy This Now

Free Store & Curbside Pickup
Pickup on Thu, Jul 7 (Est.) at **Sanford Lowe's**
1 Nearby at **Pittsboro Lowe's** (20.3 mi. away)
Aisle 11 | Bay 12

Free Delivery
Get it by Fri, Jul 8

BETTER TOGETHER

THIS ITEM

\$64.08 \$16.08 \$6.08 \$15.78

★★★★★ 35 ★★★★★ 173 ★★★★★ 173 ★★★★★ 588

Square D Homeline 125-Amp 12-Spaces 24-Circuit Convertible Main Lug Plug-On Neutral Load Center
 Square D Homeline 20-Amp 1-Pole Standard Trip Circuit Breaker
 Square D Homeline 15-Amp 1-Pole Standard Trip Circuit Breaker
 Square D Homeline 50-Amp 2-Pole Standard Trip Circuit Breaker

Selected Selected Selected Selected

Subtotal: **\$92.02**

[Add to cart 4 items](#)

OVERVIEW

- Includes a fully distributed neutral bar, allowing for the installation of Homeline Plug-On Neutral combination arc fault breakers on any space
- Each pole space accepts full-size, tandem or quad breakers
- Ground and neutral bars accept up to (3) #10-14 equipment grounds
- Accommodates plug-on secondary surge arrester (sold separately)
- Overhead/underground feed simply by rotating the device before installing
- Rated 120/240 VAC and 10,000 AIR short circuit current rating

CA Residents: [Prop 65 Warning\(s\)](#)

- [Prop65 Warning Label PDF](#)
- [Warranty Guide PDF](#)
- [Operating Manual PDF](#)
- [Use and Care Manual PDF](#)

SPECIFICATIONS

| | |
|----------------------------------|--|
| Safety Listing | UL safety listing |
| Value Pack Contents | Includes (1) HOM1224L125RDCV/P and (3) 20-Amp single-pole circuit breakers and a combination flush surface cover |
| Height (Inches) | 17.50 |
| Width (Inches) | 14.25 |
| Amperage | 125 |
| Paintable | X |
| Orientation | Over/Under |
| Circuits | 24 |
| Feed-Through Lugs | X |
| Ground Bar Installed | ✓ |
| Value Pack | ✓ |
| CA Residents' Prop 65 Warning(s) | Prop 65 WARNING(S) |
| Warranty | 1-Supplier Limited |
| UNSPSC | 39121100 |

| | |
|---------------------------|----------------------|
| Buss Bar Construction | Aluminum |
| Type | Convertible main lug |
| Mounting Type | Combination |
| Manufacturer Color/Finish | Gray |
| Cover Included | ✓ |
| Usage | Sub-panel |
| Number of Spaces | 12 |
| Brand/Model Compatibility | First-Inst |
| Depth (Inches) | 3.75 |
| Series Name | Homeline |
| Plug-On Neutral | ✓ |
| Phase Type | Single-phase 120/240 |
| Use Location | Indoor |

R

Signature Poke

(Choice of white rice, brown rice, or spring mix)

1. HAWAIIAN CLASSIC

*Smoked Salmon, Cucumber, Scallion, Sweet Onion
Seaweed Salad, Edamame, Garlic Crisps,
Sesame Mix, Sesame Sauce*

2. SHRIMP POKE

*Grilled Shrimp, Cucumber, Chery Tomato,
Pineapple, Garlic Crisps,
Crab Salad, Yum Yum Sauce*

3. CHICKEN POKE

*Grilled Chicken, Sweet Onion, Cilantro, Chopped Mango
Edamame, Wonton Crisps, Garlic Crisps,
Teriyaki Sauce*

4. SPICY AHI

*Spicy Tuna, Cucumber, Jalapeno, Sweet Onion
Cilantro, Cherry Tomato, Seaweed Salad, Onion Crisps,
Spicy Poke Sauce*

5. SPAM POKE

*Grilled Spam, Cilantro, Diced Mango,
Diced Pineapple, Cherry Tomato,
Wonton Crisps, Mango Sauce*

BUILD YOUR OWN POKE

Step One: Choose Your Base

White Rice Brown Rice Spring Mix

Step Two: Choose Your Protein

Grilled Chicken Grilled Shrimp Mahi Tuna Smoked Salmon Spam

Step Three: Choose Your Toppings

Sweet Onion Cucumber Scallions Diced Mango Diced Pineapple Edamame
Cherry Tomato Seaweed Salad Jalapeno Cilantro Onion Crisps
Garlic Crisps Crab Salad

Step Four: Choose Your Sauce

Sesame Sauce Yum Yum Sauce Teriyaki Sauce Spicy Poke Sauce
Mango Sauce Sweet Chili Sriracha Sauce

