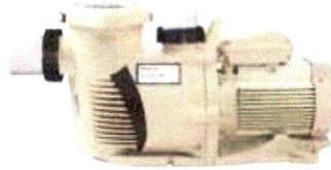


Tag # 1

WHISPERFLOXF[®]

HIGH PERFORMANCE PUMP



KEY FEATURES

Cam and Ramp™ Lid

Makes inspection and cleaning simple and quick

Built-in handle

For easy installation

Union connectors

2.5" or 3" union connectors included

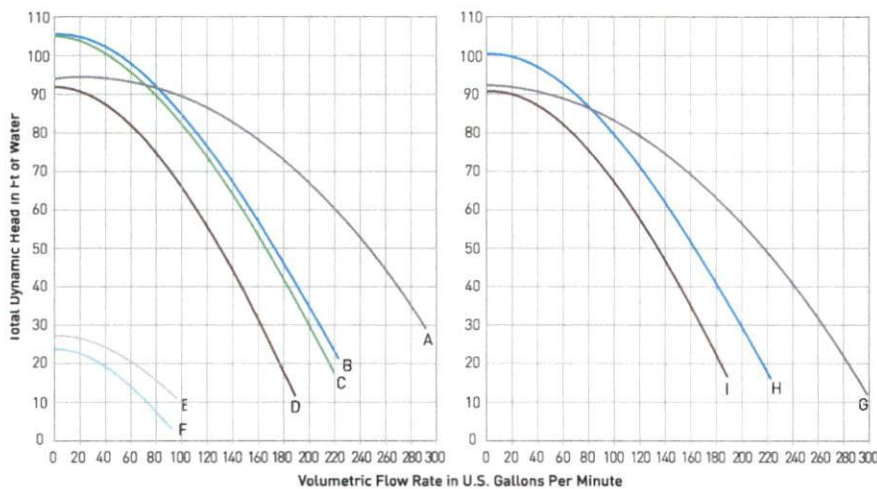
Oversized strainer basket

Extends time between cleanings

TEFC/Super-Duty motor options

Provide superior performance and longevity

PERFORMANCE CURVES



Performance Curve	Model	Description
A	XFE-20	5 HP, Single Speed Full Rated
A	XFET-20	5 HP, TEFC Super-Duty Single Speed
G	XFK-20	5 HP, 3-Phase, Super-Duty Motor
B	XFE-12	3 HP, Single Speed Full Rated
B, E	XFDS-12	3 HP, 2-Speed Full Rated
B	XFET-12	3 HP, TEFC Super-Duty Single Speed
H	XFK-12	3 HP, 3-Phase, Super-Duty Motor
C	XF-12	3 HP, Single Speed Full Rated
D	XFE-8	2 HP, Single Speed Full Rated
D	XFET-8	2 HP, TEFC Super-Duty Single Speed
D	XF-8	2 HP, Single Speed Full Rated
D, F	XFDS-8	2 HP, 2-Speed Full Rated
D	XFE-30	2.5 HP, Single Speed Up Rated
D	XF-30	2.5 HP, Single Speed Up Rated
D, F	XFDS-30	2.5 HP, 2-Speed, Up Rated
I	XFK-8	2 HP, 3-Phase, Super-Duty Motor

Pumps and replacement motors that are single speed and one (1) Total HP or greater cannot be sold, offered for sale, or installed in a residential pool for filtration use in California, Title 20 CCR sections 1601-1609.



1620 Hawkins Ave | Sanford, NC 27330 | United States | 800.831.7133 | pentair.com

All Pentair trademarks and logos are owned by Pentair plc. WhisperFloXF®, WhisperFlo®, Challenger® and Cam and Ramp™ are trademarks and/or registered trademarks of Pentair Water Pool and Spa, Inc. and/or its affiliated companies in the United States and/or other countries. Because we are continuously improving our products and services, Pentair reserves the right to change specifications without prior notice.

Pentair is an equal opportunity employer.

PI-108 2/19 ©2019 Pentair Water Pool and Spa, Inc. All rights reserved.

Tag # 2

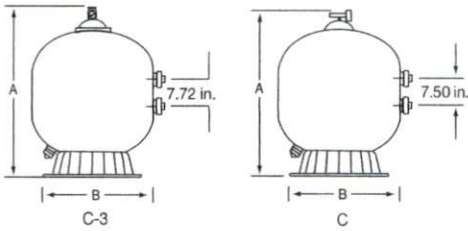
TRITON® C SERIES COMMERCIAL SAND FILTERS

TRITON HD FILTER

The Triton heavy duty (HD) filter is a thirty-inch fiberglass filter that offers a maximum operating pressure of 75 PSI. This filter is specifically designed for special high-pressure commercial applications that require up to 98 gpm, and is ideal for all heavy-duty commercial applications.

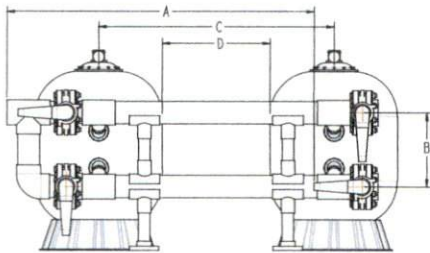


TR100 HD



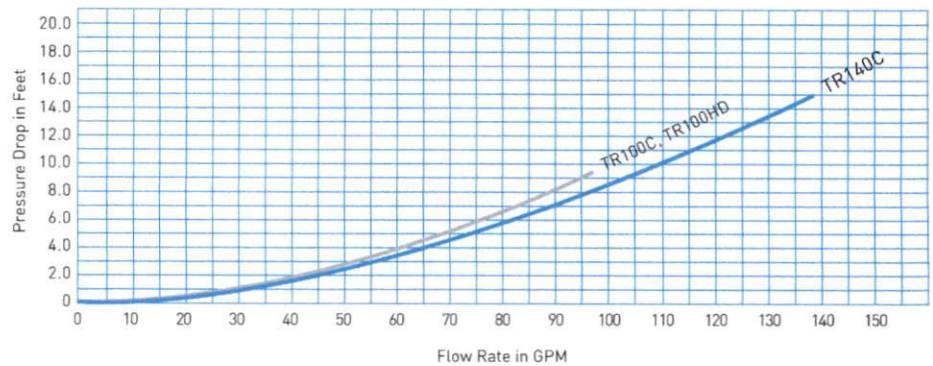
Triton Commercial Series Sand Filter Specifications								
Model Number	Filter Area Sq. Ft.	Flow Rate	Turnover Capacity Gallons		Dimension		Media Required	
		15 GPM/sq. ft.*	6 Hours	8 Hours	A	B	Sand	Sand/Gravel
TR100C	4.91	74	26,640	35,520	39 1/4"	30 1/2"	600 lbs.	450 lbs./150 lbs.
TR140C	7.06	106	38,160	50,880	45 1/4"	36 1/2"	925 lbs.	650 lbs./275 lbs.
TR100C-3	4.91	74	26,640	35,520	39 1/4"	30 1/2"	600 lbs.	450 lbs./150 lbs.
TR140C-3	7.06	106	38,160	50,880	45 1/4"	36 1/2"	925 lbs.	650 lbs./275 lbs.

*15 GPM/sq. ft. typical commercial flow rate.



Two Filter System	A	B	C	D	Total Wt.
3" -TR100C	82 1/4"	17 1/4"	48" Min.	18" Min.	2,300 lbs.
3" -TR140C	88 1/4"	17 1/4"	54" Min.	18" Min.	3,200 lbs.
4" -TR140C	95 1/4"	19 1/4"	54" Min.	18" Min.	2,300 lbs.
6" -TR140C	111 1/4"	24 1/2"	54" Min.	18" Min.	3,550 lbs.

Note: 6" piping needs to be rotated upward as shown at 25° so handle will clear the floor.



1620 HAWKINS AVE, SANFORD, NC 27330 800.831.7133 WWW.PENTAIRCOMMERCIAL.COM

All Pentair trademarks and logos are owned by Pentair, Inc. Triton® is a registered trademark of Pentair Water Pool and Spa, Inc. and/or its affiliated companies in the United States and/or other countries. Because we are continuously improving our products and services, Pentair reserves the right to change specifications without prior notice. Pentair is an equal opportunity employer.

11/13 Part # P1-151 © 2013 Pentair Water, Pool and Spa, Inc. All rights reserved.



FullFloXF™

Backwash Valve







Installation and User's Guide

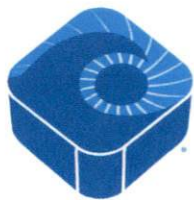
IMPORTANT SAFETY INSTRUCTIONS
READ AND FOLLOW ALL INSTRUCTIONS
SAVE THESE INSTRUCTIONS



Valve & Filter Connection Guide

	PENTAIR	STA-RITE	XF FILTERS																																								
Filter Inlet- BOTTOM	P/N 263081	P/N 262508	P/N 262512																																								
																																											
	<table border="1"> <thead> <tr> <th>Filter P/N</th> <th>Pentair Filters</th> </tr> </thead> <tbody> <tr> <td>180006</td> <td>FNS Plus FNSP24</td> </tr> <tr> <td>180007</td> <td>FNS Plus FNSP36</td> </tr> <tr> <td>180008</td> <td>FNS Plus FNSP48</td> </tr> <tr> <td>180009</td> <td>FNS Plus FNSP60</td> </tr> </tbody> </table>	Filter P/N	Pentair Filters	180006	FNS Plus FNSP24	180007	FNS Plus FNSP36	180008	FNS Plus FNSP48	180009	FNS Plus FNSP60	<table border="1"> <thead> <tr> <th>Filter P/N</th> <th>Sta-Rite Filters</th> </tr> </thead> <tbody> <tr> <td>S7D75</td> <td>System 3 DE Filter</td> </tr> <tr> <td>S8D110</td> <td>System 3 DE Filter</td> </tr> <tr> <td>S7S50</td> <td>System 3 Sand Filter</td> </tr> <tr> <td>S8S70</td> <td>System 3 Sand Filter</td> </tr> </tbody> </table>	Filter P/N	Sta-Rite Filters	S7D75	System 3 DE Filter	S8D110	System 3 DE Filter	S7S50	System 3 Sand Filter	S8S70	System 3 Sand Filter	<table border="1"> <thead> <tr> <th>Filter P/N</th> <th>XF Filters</th> <th>Filter P/N</th> <th>XF Filters</th> </tr> </thead> <tbody> <tr> <td>188626</td> <td>XF Q-60 DE</td> <td>188618</td> <td>XF F-36 DE</td> </tr> <tr> <td>188627</td> <td>XF Q-80 DE</td> <td>188619</td> <td>XF F-48 DE</td> </tr> <tr> <td>188613</td> <td>XF Q-100 DE</td> <td>188620</td> <td>XF F-60 DE</td> </tr> <tr> <td>188616</td> <td>XF Q-120 DE</td> <td>188621</td> <td>XF F-72 DE</td> </tr> </tbody> </table>	Filter P/N	XF Filters	Filter P/N	XF Filters	188626	XF Q-60 DE	188618	XF F-36 DE	188627	XF Q-80 DE	188619	XF F-48 DE	188613	XF Q-100 DE	188620	XF F-60 DE	188616	XF Q-120 DE	188621	XF F-72 DE
	Filter P/N	Pentair Filters																																									
180006	FNS Plus FNSP24																																										
180007	FNS Plus FNSP36																																										
180008	FNS Plus FNSP48																																										
180009	FNS Plus FNSP60																																										
Filter P/N	Sta-Rite Filters																																										
S7D75	System 3 DE Filter																																										
S8D110	System 3 DE Filter																																										
S7S50	System 3 Sand Filter																																										
S8S70	System 3 Sand Filter																																										
Filter P/N	XF Filters	Filter P/N	XF Filters																																								
188626	XF Q-60 DE	188618	XF F-36 DE																																								
188627	XF Q-80 DE	188619	XF F-48 DE																																								
188613	XF Q-100 DE	188620	XF F-60 DE																																								
188616	XF Q-120 DE	188621	XF F-72 DE																																								
Filter Inlet - TOP	PENTAIR	STA-RITE																																									
	P/N 263080	P/N 262507																																									
																																											
<table border="1"> <thead> <tr> <th>Filter P/N</th> <th>Pentair Filters</th> </tr> </thead> <tbody> <tr> <td>188592</td> <td>Quad DE 60</td> </tr> <tr> <td>188593</td> <td>Quad DE 80</td> </tr> <tr> <td>188594</td> <td>Quad DE 100</td> </tr> <tr> <td>140212</td> <td>TR 60 Sand</td> </tr> <tr> <td>140236</td> <td>TR 40 Sand</td> </tr> <tr> <td>140249</td> <td>TR 50 Sand</td> </tr> </tbody> </table>	Filter P/N	Pentair Filters	188592	Quad DE 60	188593	Quad DE 80	188594	Quad DE 100	140212	TR 60 Sand	140236	TR 40 Sand	140249	TR 50 Sand	<table border="1"> <thead> <tr> <th>Filter P/N</th> <th>Pentair Filters</th> </tr> </thead> <tbody> <tr> <td>140264</td> <td>TR 60 Sand</td> </tr> <tr> <td>140210</td> <td>TR 100 Sand</td> </tr> <tr> <td>140243</td> <td>TR 140 Sand</td> </tr> <tr> <td>140335</td> <td>TR 100 HD</td> </tr> <tr> <td>140315</td> <td>TR 100C Sand</td> </tr> <tr> <td>140316</td> <td>TR 140C Sand</td> </tr> </tbody> </table>	Filter P/N	Pentair Filters	140264	TR 60 Sand	140210	TR 100 Sand	140243	TR 140 Sand	140335	TR 100 HD	140315	TR 100C Sand	140316	TR 140C Sand	<table border="1"> <thead> <tr> <th>Filter P/N</th> <th>Sta-Rite Filters</th> </tr> </thead> <tbody> <tr> <td>PLDE 36</td> <td>System 2 Mod DE</td> </tr> <tr> <td>PLDE48</td> <td>System 2 Mod DE</td> </tr> <tr> <td>S7MD60</td> <td>System 3 Mod DE</td> </tr> <tr> <td>S7MD72</td> <td>System 3 Mod DE</td> </tr> </tbody> </table>	Filter P/N	Sta-Rite Filters	PLDE 36	System 2 Mod DE	PLDE48	System 2 Mod DE	S7MD60	System 3 Mod DE	S7MD72	System 3 Mod DE			
Filter P/N	Pentair Filters																																										
188592	Quad DE 60																																										
188593	Quad DE 80																																										
188594	Quad DE 100																																										
140212	TR 60 Sand																																										
140236	TR 40 Sand																																										
140249	TR 50 Sand																																										
Filter P/N	Pentair Filters																																										
140264	TR 60 Sand																																										
140210	TR 100 Sand																																										
140243	TR 140 Sand																																										
140335	TR 100 HD																																										
140315	TR 100C Sand																																										
140316	TR 140C Sand																																										
Filter P/N	Sta-Rite Filters																																										
PLDE 36	System 2 Mod DE																																										
PLDE48	System 2 Mod DE																																										
S7MD60	System 3 Mod DE																																										
S7MD72	System 3 Mod DE																																										

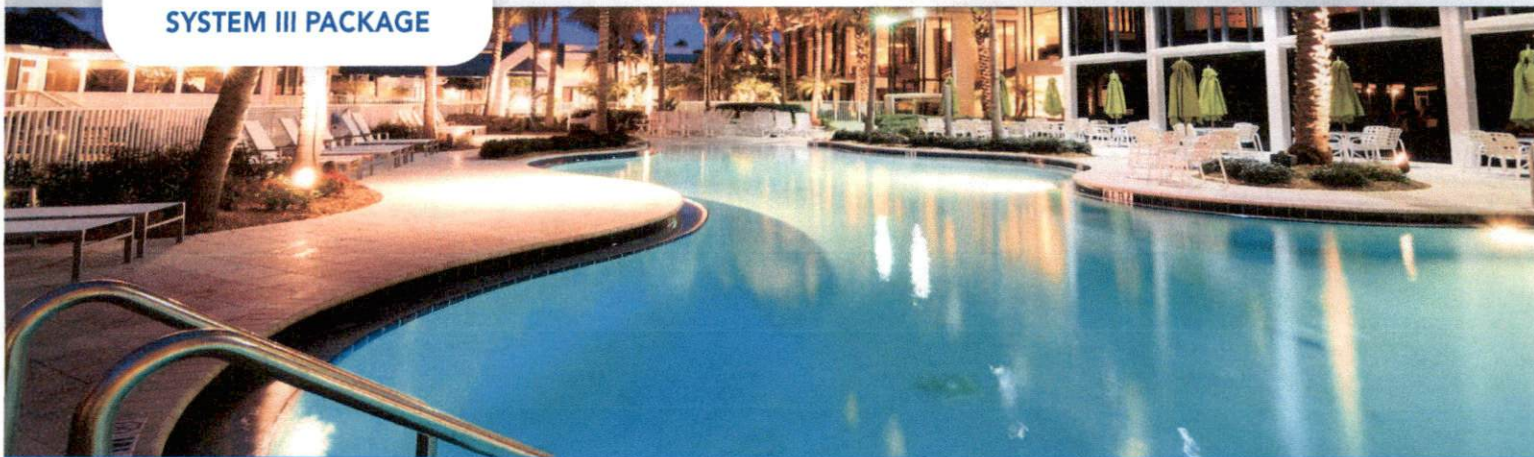
TAG #4



VersaChlor

SYSTEM III PACKAGE

Preassembled, Easy to Install and Cyanuric Acid-Free



THE VERSACHLOR® EASY FEED FULLY-ASSEMBLED SYSTEM III

For larger pools, everything from delivering predictable chlorine levels to installing, maintaining and operating the chlorination system just got easier with the new *VersaChlor System III*.

The System III comes factory-assembled and ready for dealer installation. It is pre-plumbed atop a compact, elevated aluminum frame making final plumbing connections quick and easy. The System III works with any swimming pool controller and its new modular design incorporates an inlet/outlet bypass valve that facilitates cleaning for low-maintenance operation.

Additionally, the System III eliminates over-stabilization associated with Trichlor systems and has many advantages over liquid bleach, including lower acid consumption and no spill containment requirements.



Introducing VersaChlor® Easy Feed FULLY ASSEMBLED SYSTEM III

HMCA Pools
up to 300,000
Gallons Outdoor

The VersaChlor System III
utilizes the NSF/ANSI Std 50
listed VersaChlor III(a) feeder.

SKU # AXI-45-1114

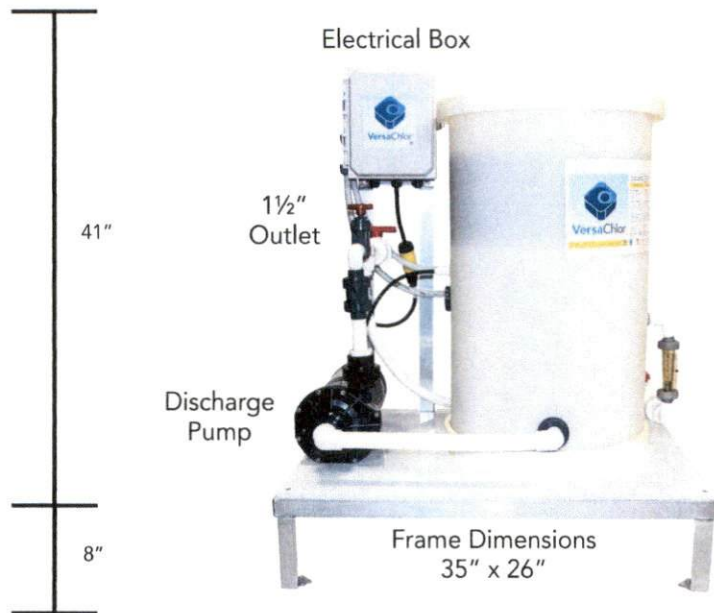
FEATURES

- **eZ Clean Bypass Loop**
The eZ cleaning loop makes it almost effortless to deep clean all the system components by simply turning a few valves and automatically creating a contained cleaning loop.
- **eZ-Out Sieve Plate Basket**
The top of the sieve plate is also the basket that holds the VersaChlor tablets. No need to remove tablets by hand any more. Just remove the eZ-Out Sieve Plate Basket and you have immediate cleaning access.



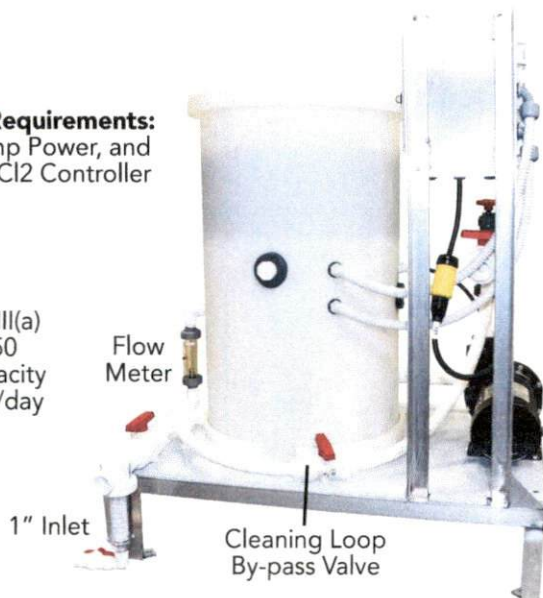
ENGINEERED FOR HMCA POOLS UP TO:

- 300,000 gallons (outdoor stabilized)
- 150,000 gallons (outdoor unstabilized)



Electrical Requirements:
120v 15 amp Power, and
120v ORP/Cl₂ Controller

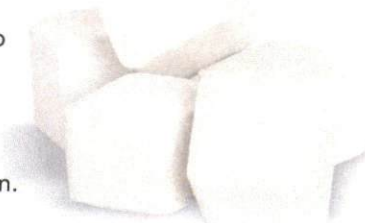
VersaChlor III(a)
NSF Std 50
100 lbs. capacity
153 lbs. Cl₂/day



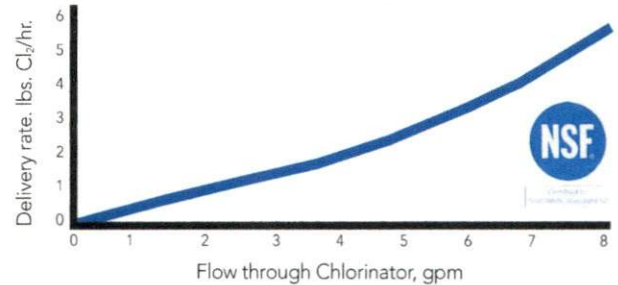
VersaChlor Tablets

VersaChlor calcium hypochlorite cubes are specially engineered and independently tested by the labs at NSF International to work in VersaChlor easy feed chlorinators in accordance with NSF/ANSI Standard 50. The tablets undergo a multi-step manufacturing and quality control process to ensure they will not soften, break apart or clog the system. VersaChlor cubes contain a scale inhibitor for clean chlorinator operation.

Note: Also NSF/ANSI 60 listed for areas requiring this listing.



Delivery Rate – VersaChlor® Easy Feed Chlorination System III(a) Using VersaChlor® System Chlorinating Tablets



Simple to Install and Easy to Operate

- **Pre-plumbed, Skid-mounted**
 - o Connect pre-plumbed skid with 1" inlet and 1" outlet lines.
 - o System isolation valves provided
 - o Inlet Strainer provided
- **Pre-wired electrical connections**
 - o Plug and 10' cord for 120v power supply (15 amp)
 - o Plug and 10' cord for 120v controller run signal
- **Overflow protection standard**
 - o Allows the System to automatically lower solution tank levels in the event of an overflow caused by inlet float valve or discharge check valve failures



VersaChlor System III Utility Funnel (optional)

Allows you to dial-in chlorine delivery rates to meet specific requirements and use tablets more efficiently.

www.VersaChlor.com



For Technical Assistance Call Commercial Pool Solutions at **866-269-6725**



VersaChlor is a registered ® trademark of Axiall Ohio, Inc.
Copyright © 2018 Axiall Corporation, Inc.

Tag #5

Blue-White[®]

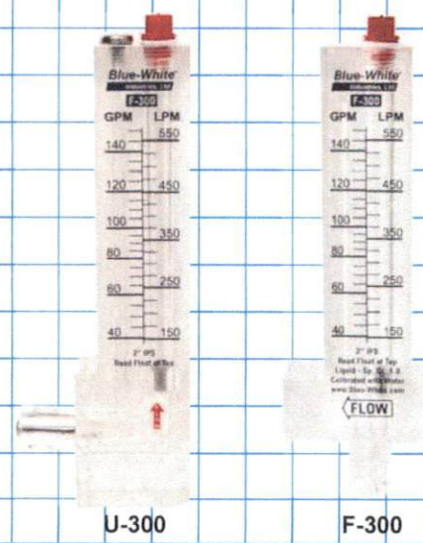
Industries, Ltd.

Pitot Tube Insertion Meters

Engineering and Technical Data

F-300
U-300
D-300

Clamp-on Insertion Mount
Dual GPM / LPM scale



Features:

- Dual GPM/LPM scale printed on both sides of the meter.
- 1" through 8" pipe sizes.
- Flow rates from 2 to 1900 GPM (8 to 7200 LPM).
- Corrosion resistant 316SS or PTFE internal float materials.
- One piece machined acrylic body.
- Mounts to existing pipe. No unions or adapters required.
- Models for mounting on horizontal or vertical pipe.
- Mounting clamps and gasket included.

Specifications:

Pipe Requirements: IPS inch pipe size (ASTM-D-1785)
 Max. Psi (bar): 150 PSI (10.3 bar) @ 70° F (21° C)
 Fluid temp. range: 32° to 110° F / 190° F (88° C) @ 0 PSI
 Ambient temp. range: 32° to 110° F / -10° to 43° C
 Note: Temperature & Pressure ratings of meter only. Actual pipe rating may vary.

Full scale accuracy: +/- 10%
 Power requirement: No power required
 Enclosure: NEMA 4X (IP56)
 Approximate shipping wt: ... 1"-4" units: 1 lb. (.45 kg)
 6"-8" units: 2 lb. (.91 kg)

Materials of Construction:

Meter Body: Cast Acrylic
 Float: Standard range models = 316SS
 Low range models = PTFE
 Gasket: Neoprene
 Pipe Clamp: 300 series Stainless Steel
 Pitot screw: 1" thru 2" models only. 300 series stainless Steel

Installation Requirements:

Minimum Straight Pipe Length Requirements

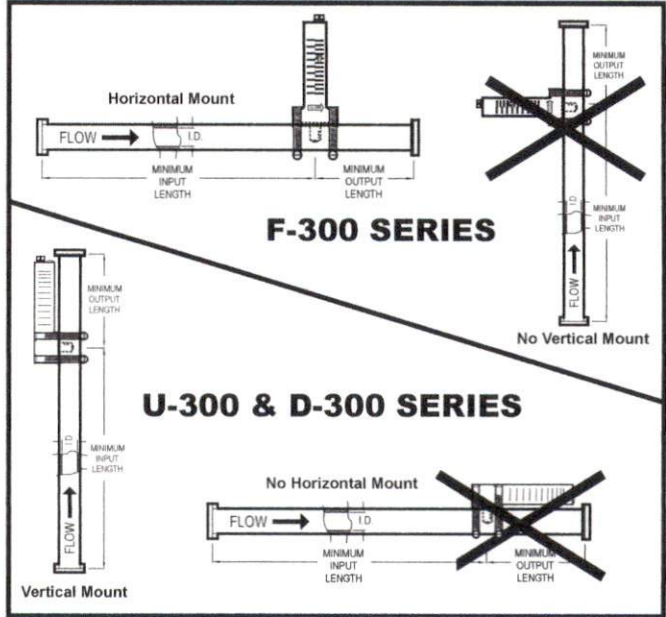
The meter's accuracy is affected by disturbances such as pumps, elbows, tees, valves, etc., in the flow stream. Install the meter in a straight run of pipe as far as possible from any disturbances. The distance required for accuracy is 10 times the nominal pipe diameter before the meter and 4 times the nominal pipe diameter after the meter.

Example of Minimum Straight Pipe Length Requirements

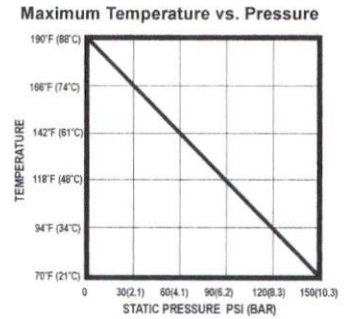
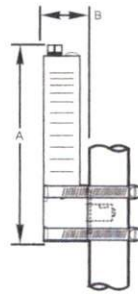
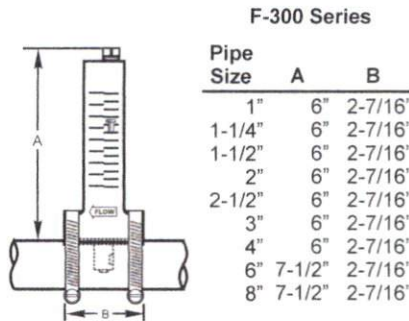
Nominal Pipe Diameter	Minimum Inlet Pipe Length	Minimum Outlet Pipe Length
3 inch	30 inch (10 X 3")	12 inch (4 X 3")
1-1/2 inch	15 inch (10 x 1.5")	6 inch (4 x 1.5")
6 inch	60 inch (10 x 6")	24 inch (4 x 6")

Mounting location

- The meter is designed to withstand outdoor conditions.
- F series meters must be mounted at the vertical (twelve o'clock) position on horizontal pipe only.
- U & D series meters must be mounted on vertical pipe only.
- The pipe must be completely full of water at all times.
- See the minimum straight length of pipe requirement chart above.
- The meter can accurately measure flow from one direction only.
- U-series meters measure upward flows only.
- D-series meters measure downward flows only.



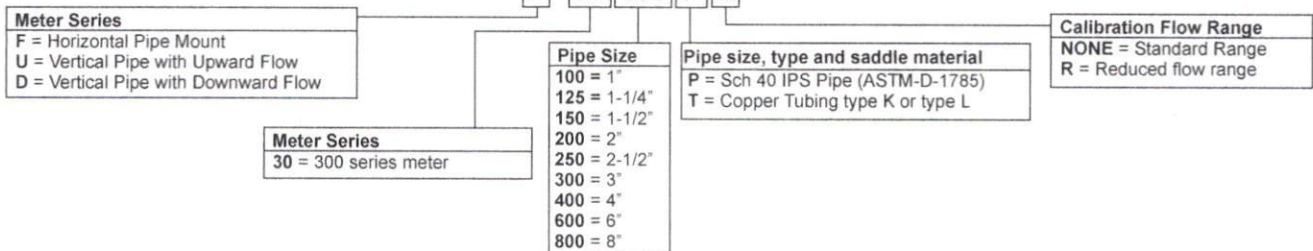
Dimensions:



Flow Stream Requirements:

Low viscosity fluids with a specific gravity of 1.0.

Model Number Matrix:



Pipe Size, Flow Range and Display Model Options:

Models for Mounting on Horizontal Pipe

Models for U.S. IPS Sch40 Pipe (ASTM 1785)

Display in U.S. Gallons and Liters per Minute

Pipe Size	GPM Flow Range	LPM Flow Range	Model Number
1"	5 to 35	20 to 140	F-30100P
1"	2 to 10	8 to 38	F-30100PR
1-1/4"	15 to 75	60 to 280	F-30125P
1-1/4"	5 to 35	30 to 130	F-30125PR
1-1/2"	20 to 100	75 to 375	F-30150P
1-1/2"	9 to 30	30 to 110	F-30150PR
2"	40 to 150	150 to 550	F-30200P
2"	15 to 70	60 to 260	F-30200PR
2-1/2"	60 to 240	225 to 900	F-30250P
3"	80 to 300	300 to 1125	F-30300P
3"	40 to 140	160 to 520	F-30300PR
4"	125 to 500	550 to 2000	F-30400P
6"	250 to 1050	900 to 3900	F-30600P
8"	500 to 1900	2000 to 7200	F-30800P

Models for Copper Tubing types K & L

Display in U.S. Gallons and Liters per Minute

Pipe Size	GPM Flow Range	LPM Flow Range	Model Number
1"	5 to 35	20 to 140	F-30100T
1"	2 to 10	8 to 38	F-30100TR
1-1/4"	15 to 75	60 to 280	F-30125T
1-1/4"	5 to 35	30 to 130	F-30125TR
1-1/2"	20 to 100	75 to 375	F-30150T
1-1/2"	9 to 30	30 to 110	F-30150TR
2"	40 to 150	150 to 550	F-30200T
2"	15 to 70	60 to 260	F-30200TR
2-1/2"	60 to 240	225 to 900	F-30250T
3"	80 to 300	300 to 1125	F-30300T
3"	40 to 140	160 to 520	F-30300TR
4"	125 to 500	550 to 2000	F-30400T
6"	250 to 1050	900 to 3900	F-30600T
8"	500 to 1900	2000 to 7200	F-30800T

Models for Mounting on Vertical Pipe

Models for U.S. IPS Sch40 Pipe (ASTM 1785)

Display in U.S. Gallons and Liters per Minute

Pipe Size	GPM Flow Range	LPM Flow Range	Flow Direction	Model Number
1-1/2"	20 to 100	75 to 375	UP	U-30150P
1-1/2"	20 to 100	75 to 375	DOWN	D-30150P
1-1/2"	9 to 30	30 to 120	UP	U-30150PR
1-1/2"	9 to 30	30 to 120	DOWN	D-30150PR
2"	40 to 150	150 to 550	UP	U-30200P
2"	40 to 150	150 to 550	DOWN	D-30200P
2"	18 to 70	70 to 280	UP	U-30200PR
2"	18 to 70	70 to 280	DOWN	D-30200PR

Models for Copper Tubing types K & L

Display in U.S. Gallons and Liters per Minute

Pipe Size	GPM Flow Range	LPM Flow Range	Flow Direction	Model Number
1-1/2"	20 to 100	75 to 375	UP	U-30150T
1-1/2"	20 to 100	75 to 375	DOWN	D-30150T
1-1/2"	9 to 30	30 to 120	UP	U-30150TR
1-1/2"	9 to 30	30 to 120	DOWN	D-30150TR
2"	40 to 150	150 to 550	UP	U-30200T
2"	40 to 150	150 to 550	DOWN	D-30200T
2"	18 to 70	70 to 280	UP	U-30200TR
2"	18 to 70	70 to 280	DOWN	D-30200TR

TAG #6

12" SQUARE MOFLOW® SUCTION OUTLET COVER AND MUD FRAME



**VGB CERTIFIED
SPECIFICATIONS**

Floor Flow Rating
274 GPM at 1.2 fps

Wall Flow Rating
278 GPM at 1.3 fps

Sump Depth
3" minimum

Open Area
71.2 in²

FEATURES

All components meet or exceed ANSI/APSP 16-2011 and NSF/ANSI 50-2009a national standards and ASTM G154 UV testing exposure

Easily and safely retrofits to 12" square 3/4" deep frames

#316 stainless steel screws

Manufactured from superior UV-resistant engineered polymers

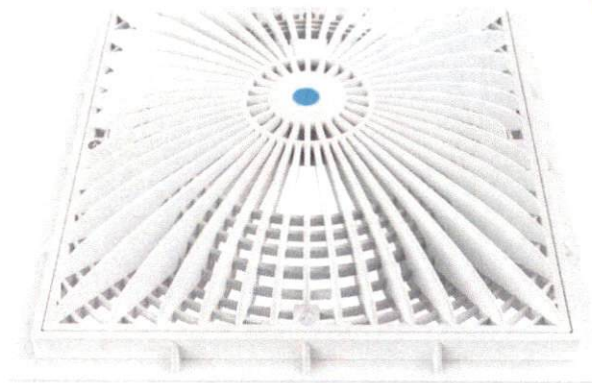
Trademarked VGB compliance button easily identifies VGB 2008 compliant cover from on deck and underwater

Online product support including downloadable CAD files, General Certificate of Conformity, third-party certificate, installation instructions and more

Replace drain cover every five years from the date of installation

See next page for additional product configurations

8 per case



Part # 12MFxxx

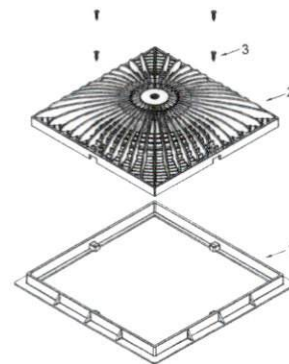
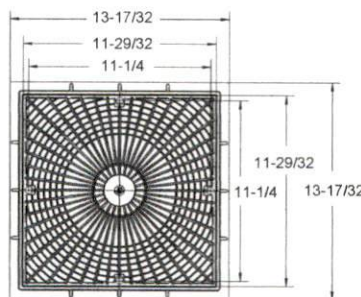
Fits: AquaStar standard 12" models and American (Pentair) with 3/4" deep existing frames and four screw hole pattern.

STANDARD COLORS

- 12MF101 – White
- 12MF102 – Black
- 12MF103 – Light Gray
- 12MF104 – Blue
- 12MF105 – Dark Gray
- 12MF108 – Tan

Replaces p/n 12xxx, P12xxx, SRFS12xxx, SUN12xxx, SUN12WRxxx, WAV12xxx, WAV12WRxxx

VGB 2008 Compliant



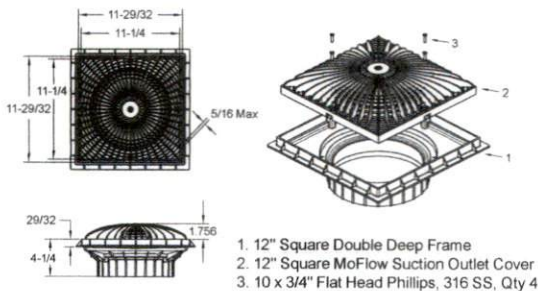
1. 12" Square Mud Frame
2. 12" Square MoFlow Suction Outlet Cover
3. 10 x 3/4" Flat Head Phillips, 316 SS, Qty 4

P 877-768-2717 F 877-276-POOL Outside the US: P +1-949-336-1940 F +1-949-336-1940
info@aquastarpoolproducts.com www.aquastarpoolproducts.com

ADDITIONAL PRODUCT CONFIGURATIONS FOR 12MFxxx

Double-Deep Sump

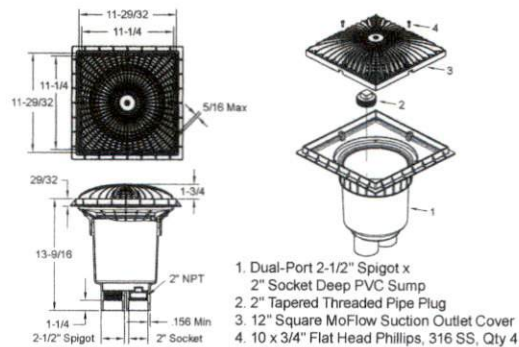
Part #
12MFxxxA
4 per case



1. 12" Square Double Deep Frame
2. 12" Square MoFlow Suction Outlet Cover
3. 10 x 3/4" Flat Head Phillips, 316 SS, Qty 4

Dual-Port 2-1/2" Spigot x 2" Socket Deep PVC Sump

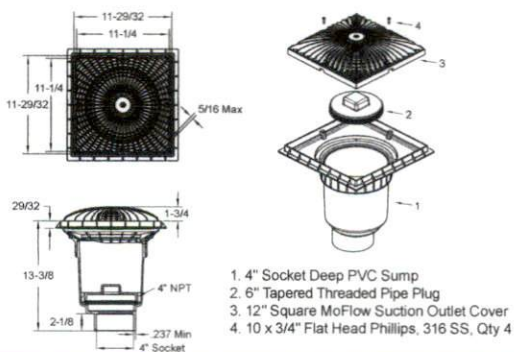
Part #
12MFxxxB
1 per case



1. Dual-Port 2-1/2" Spigot x 2" Socket Deep PVC Sump
2. 2" Tapered Threaded Pipe Plug
3. 12" Square MoFlow Suction Outlet Cover
4. 10 x 3/4" Flat Head Phillips, 316 SS, Qty 4

4" Socket Deep PVC Sump

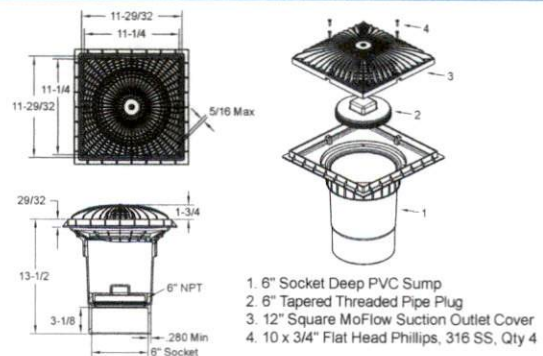
Part #
12MFxxxD
1 per case



1. 4" Socket Deep PVC Sump
2. 6" Tapered Threaded Pipe Plug
3. 12" Square MoFlow Suction Outlet Cover
4. 10 x 3/4" Flat Head Phillips, 316 SS, Qty 4

6" Socket Deep PVC Sump

Part #
12MFxxxF
1 per case



1. 6" Socket Deep PVC Sump
2. 6" Tapered Threaded Pipe Plug
3. 12" Square MoFlow Suction Outlet Cover
4. 10 x 3/4" Flat Head Phillips, 316 SS, Qty 4

P 877-768-2717 F 877-276-POOL Outside the US: P +1-949-336-1940 F +1-949-336-1940
info@aquastarpoolproducts.com www.aquastarpoolproducts.com

CERTIFICATION OF COMPLIANCE

Contains: WG1033BHF with (4) WG1031BHF
 Description: 18"x 18" Suction Outlet Cover

Ratings: Floor: 812 GPM Wall: 732 GPM Open Area: 92.72 sq-in
 Certified to Comply with Section 1404 of the Virginia Graeme Baker Act (VGB) Pool & Spa Safety Act codified at 16 CFR part 1450. Initial Certification May 2011.

Manufactured: After September 10, 2009, by Division of Hayward Industries, Inc. at K4-A, 214028 Block K4- A, Export Processing Zone Wuxi New District Jiangsu Province PRC 214028, China.
 Certified by Hayward Pool Products, 620 Division Street, Elizabeth, NJ 07207, Phone 908-355-7995
 Contact at www.haywardnet.com

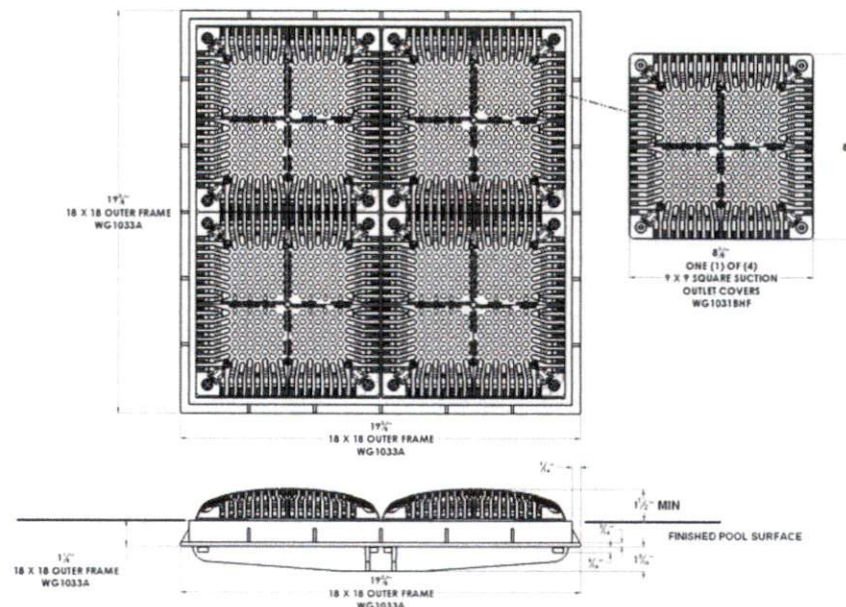
Record Custodian is Customer Service at www.haywardnet.com. Hayward Pool Products P.O. Box 5100 Clemmons, NC 27012-5100, Phone: 336-712-9900
<http://www.hayward-pool.com/pdf/literature/18x18highcoc.pdf>

Date of Mfr: The Lot Number shown on the product label contains the Year & Month of manufacture. The first number represents the year (ex 1 = 2011) and the second character the month (A=Jan, B=Feb, H=Aug, I is skipped, J=Sep, etc)

Tested to ANSI/ASME 112.19.8-2007 (addendum 9b-2009) per Section 1404 of the Virginia Graeme Baker Act (VGB) Pool & Spa Safety Act. Tested by IAPMO, 5001 E. Philadelphia Street, Ontario, CA 91761 (909)- 472-4100 in April 2011. Certificate at: http://pld.iapmo.org/file_info.asp?file_no=0006353

Date of Installation: _____
 Suction outlet components have a finite life, the cover/grate should be inspected frequently and replaced at least every 7 years or if found to be damaged, broken, cracked, missing, or not securely attached.

Hayward Pool Products acknowledges that it is a federal crime to knowingly and willingly make materially false, fictitious, or fraudulent statements, representations, or omissions on this certification.


▲ Warning – Suction Entrapment Hazard.

Suction in suction outlets and/or suction outlet covers which are installed in a small area and/or below the surrounding surface can cause severe injury or death due to body entrapment hazard.

To reduce the risk of body entrapment, installation of the field fabricated sumps must be such that the top of the mounted cover is a minimum of 1 1/2" above the finished pool surface over an area larger than 40" on a diagonal.

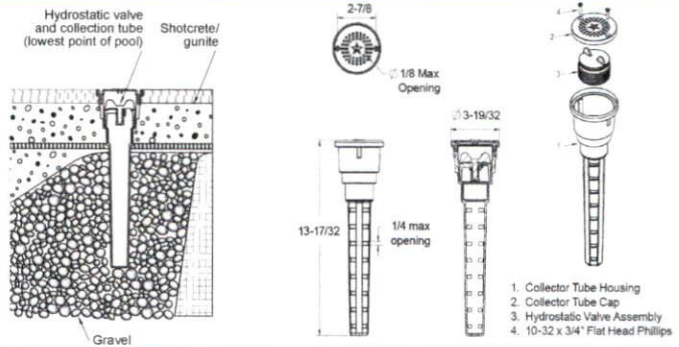


Hydrostatic Relief Valves

Self-Contained Hydrostatic Valve Assembly



Part # HVCxxx



FEATURES

- Self-contained unit has a built-in collector tube
- Installs directly into the pool finish with no additional plumbing connection required
- Helps prevent swimming pool damage due to hydrostatic pressure beneath the pool shell when the pool is drained

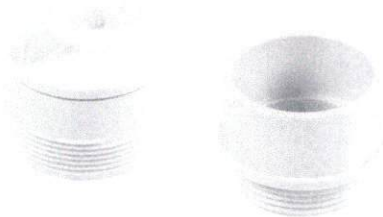
12 per case

STANDARD COLORS

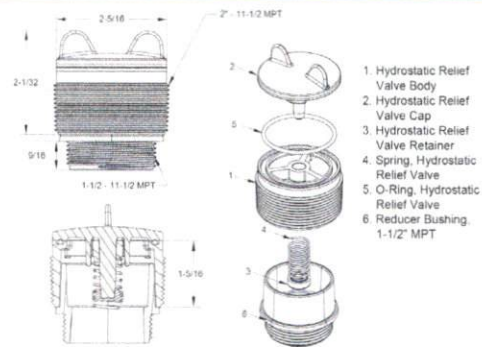
	HVC101		HVC104
	HVC102		HVC105
	HVC103		HVC108

HVC05xxx – Cap and Screws

2" Hydrostatic Relief Valve



Part # HVxxx



FEATURES

- Equalizes pressure for high water tables
- Fins enable easy twist for installation and removal
- Fits any AquaStar and most other manufacturers' 2" threads
- Manufactured from superior UV-resistant engineered polymers
- Includes 2" x 1 1/2" reducer bushing
- Reducer bushing must be glued into hydrostatic relief valve using ABS glue

25 per case

STANDARD COLORS

	HV101		HV104
	HV102		HV105
	HV103		HV108

TAG #9

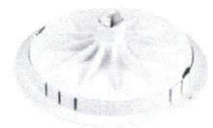
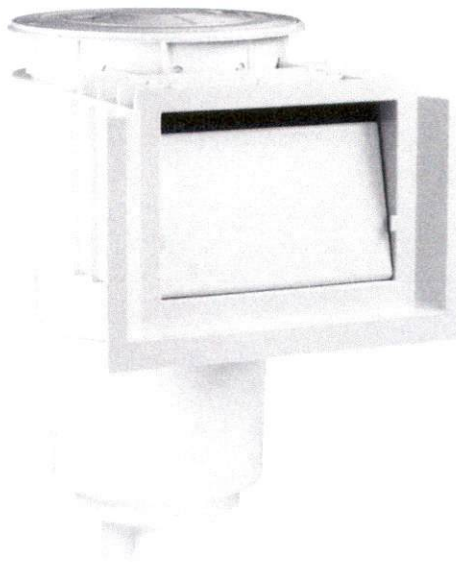
FLOW STAR® SKIMMER WITH WATER STOP FACE, FLOAT ASSEMBLY, BASKET, LID AND ADJUSTABLE COLLAR

Built in conformance with NSF 50 and SPS 3 standards

FEATURES

- Adjustable collar
- New weir clip lock secures the clips in the weir door
- Self-contained gunite grip, water stop on the faceplate to prevent water leaks
- Large self-contained basket with lock-in feature (will not float)
- Underwater dampers on the faceplate for noise reduction on weir plate – especially on windy days
- Super strong engineered polymer upper housing
- Extra heavy duty PVC lower unit (no transitional glue required)
- 2½" outside slip and 2" inside slip (outside skimmer)
- 2" threads for pressure testing (inside skimmer)
- Built-in overflow or fill line knock out
- Upper housing has pre-cut rebar cutouts with pre-drilled holes for tie wire
- Skimmer Lid and Collar G154 UV tested
- NSF 50 approved for commercial use, 25 GPM min, 55 GPM max – approved for residential use up to 100 GPM
- See page 212 for code compliance and sizing
- Optional custom name/logo engraved on the lid (requires minimum 500 piece lid order)
- See page 157 for Skimmer with Ozone Port
- 1 per case

Three lid options available (sold separately): round, square or snap-in round/square



Optional vacuum plate with snap-in lug can be glued in under lid for easy storage p/n SK43101



Optional BFB adapter converts skimmer fittings to 4" or 3" tee for improved hydraulics and code compliance p/n BFB101

Part # SKR1xx

For vinyl and fiberglass options, see pages 138-143

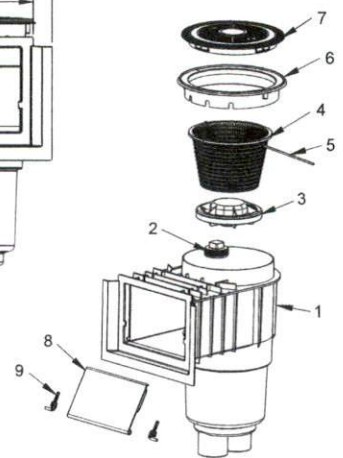
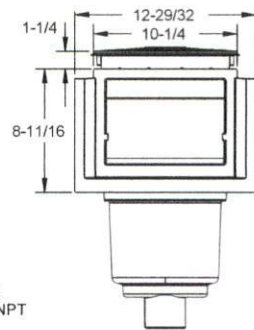
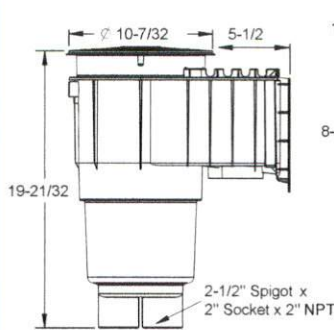
STANDARD COLORS

- SKR101 – White
- SKR102 – Black
- SKR103 – Light Gray
- SKR104 – Blue
- SKR105 – Dark Gray
- SKR108 – Tan

Snap-in Round/Square Lid and Collar (sold separately) p/n SK65xxx

Square Lid and Collar (sold separately) p/n SK64xxx

Available without lid and collar SKR1NL101 (white only)



- 1. Skimmer Body
- 2. 2" Port Plug
- 3. Float Assembly
- 4. Basket
- 5. Basket Rod
- 6. Collar
- 7. Lid
- 8. Weir Assembly
- 9. Weir Clip, Qty 2

Large Wall Fitting with Water Stop (Fits 1½" Pipe)

FEATURES

Fits outside 1½" pipe, 1½" FPT in front face

Similar to standard 1022 but with integrated water stop to reduce leaks

Large flange camouflages pipe and surface construction variations

See also decorative cover p/n DCxxx to make existing 1022s like new with different colors

Manufactured from engineered polymer UV-resistant ABS materia

250 per case

Also available in Clear (p/n ES1022WB00)

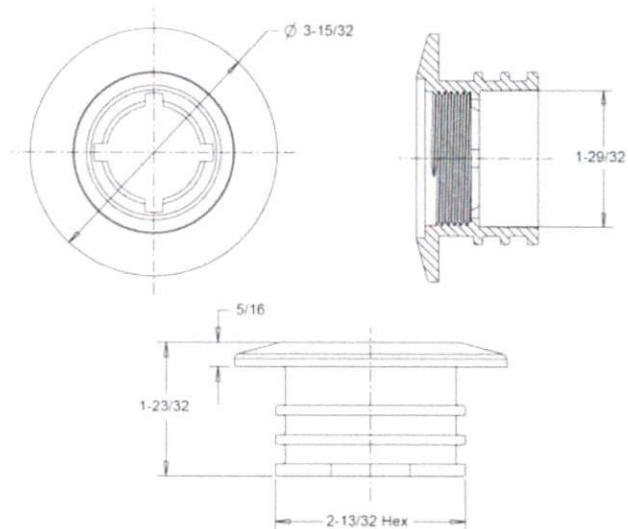
00



Part # ES1022WBxx

STANDARD COLORS

- ES1022WB01 – White
- ES1022WB02 – Black
- ES1022WB03 – Light Gray
- ES1022WB04 – Blue
- ES1022WB05 – Dark Gray
- ES1022WB08 – Tan



STANDARD COLORS



01



02



03

39 ProStar # VLK15Txx REPLACES # W4008WHP



Safety Vacuum Lock Wall Fitting (1 1/2" NPT)
Part # VLK20Txx (2" NPT)
Meets SPS-4-2009 Standard

40 ProStar # HWN153 REPLACES # AXV574P



Flow Gauge

41 ProStar # HWN158 REPLACES # AXV092



Hose Connector

42 ProStar # SZTHxx REPLACES # V109



4-Foot Regular Hose

43 ProStar # SZTHLxx REPLACES # V532



4-Foot Leader Hose

44 ProStar # HWN163xx REPLACES # AXV414604



Wing Kit and Pod Shoes

TAG # 11

Large Wall Fitting with Water Stop (Fits 1½" Pipe)

FEATURES

Fits outside 1½" pipe, 1½" FPT in front face

Similar to standard 1022 but with integrated water stop to reduce leaks

Large flange camouflages pipe and surface construction variations

See also decorative cover p/n DCxxx to make existing 1022s like new with different colors

Manufactured from engineered polymer UV-resistant ABS materia

250 per case

Also available in Clear (p/n ES1022WB00)

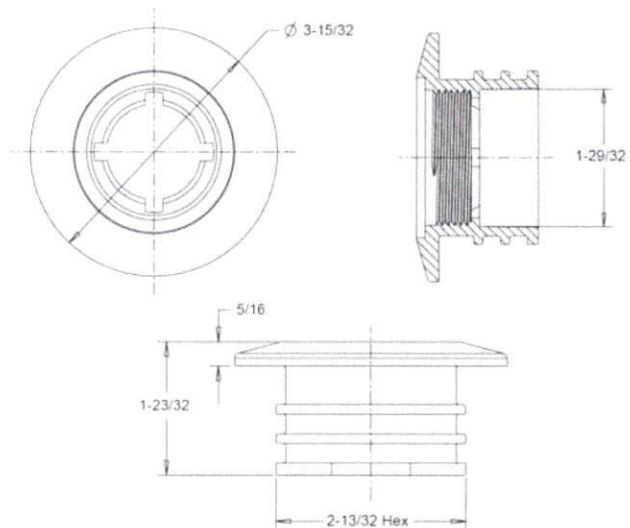
00



Part # ES1022WBxx

STANDARD COLORS

- ES1022WB01 – White
- ES1022WB02 – Black
- ES1022WB03 – Light Gray
- ES1022WB04 – Blue
- ES1022WB05 – Dark Gray
- ES1022WB08 – Tan



FEATURES

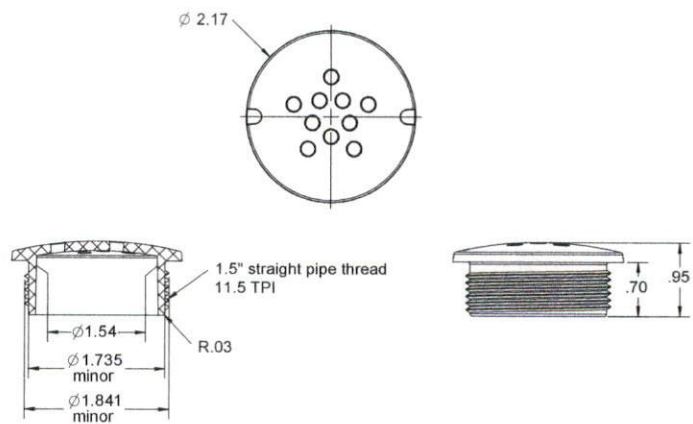
Available in six standard colors
No exposed components
Installs flush with bottom of pool/spa



Part # BPxxx

STANDARD COLORS

- | | |
|------------------------------|------------------------------|
| <input type="checkbox"/> 101 | <input type="checkbox"/> 104 |
| <input type="checkbox"/> 102 | <input type="checkbox"/> 105 |
| <input type="checkbox"/> 103 | <input type="checkbox"/> 108 |



Pool Specialty Fittings

TAG #12

Ordering Information

Product	Description	Carton Qty	Carton Wt (Lbs)
FLOOR INLET FITTINGS⁵			
08417-0000	2 in. Slip with 1-1/2 in. slip bushing, white ⁵	1	1
08417-0100	2 in. Slip with 1-1/2 in. slip bushing, grey ⁵	1	1
08417-0200	2 in. Slip with 1-1/2 in. slip bushing, black ⁵	1	1
SPECIAL FITTINGS			
46550000	Aerator Cap, 1-1/2 in. for air channel, white	50	13
46550015	Aerator Cap, 1-1/2 in. for air channel, dark grey	50	13
46550065	Aerator Cap, 1-1/2 in. for air channel, grey	50	13
510166	Hose adapter, straight, white ⁶	50	3
86201500	Aerator inlet (used as a return spray nozzle)	10	1
K12500	Snap Lock Kit Fitting	1	0.10
GW9530	Vac-port fitting, NSF listed	1	0.10
86200500	Vacuum or Winterizing plug with Oring	1	0.50
UNIONS			
86203600	1-1/2 in. socket, 2 in. spigot. x 1-1/2 in. socket ²	1	0.5
86204300	1-1/2 in. MPT x 1-1/2 socket	1	0.5
86205000	1-1/2 in. socket, 2 in. spigot. x 1-1/2 in. socket ¹	1	0.5
VALVE COVERS			
86300100	Valve Lid & Ring, ABS, 6 in., white	1	1
86300130	Valve Lid & Ring, ABS, 6 in., beige	1	1
GRATE INSERTS			
540056	Grate insert, 1-1/2 in. MIP, white ⁴	50	2
540057	Grate insert, 1-1/2 in. MIP, black ⁴	50	2
540058	Grate insert, 1-1/2 in. MIP, dark grey ⁴	50	2
ROPE ANCHORS & HOOKS			
542044	Anchor Cup with SS bar, white ³	100	24
542045	Anchor Cup with SS bar, black ³	100	24
86201200	Anchor Cup, ABS, white	100	16
86201215	Anchor Cup, ABS dark grey	100	16
86201300	Anchor Cup, ABS with SS cross bar, white ³	100	16
86201400	Rope Hook, 3/4 in., ABS	150	16
542142	Rope Hook for 3/4 in. rope with two SS screws	200	22
STEPS			
82400600	ABS Steps, set of three, blue	1	3
82400700	ABS Steps, set of three, white	1	3
82400800	ABS Steps, set of three, grey	1	3



Union



Vacuum Plug



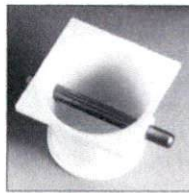
86201500



Rope Hook



Valve Lid & Ring ABS



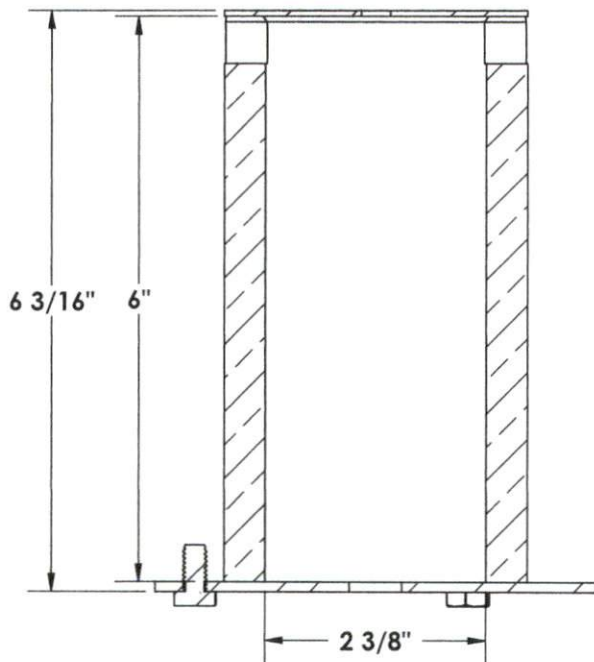
542044



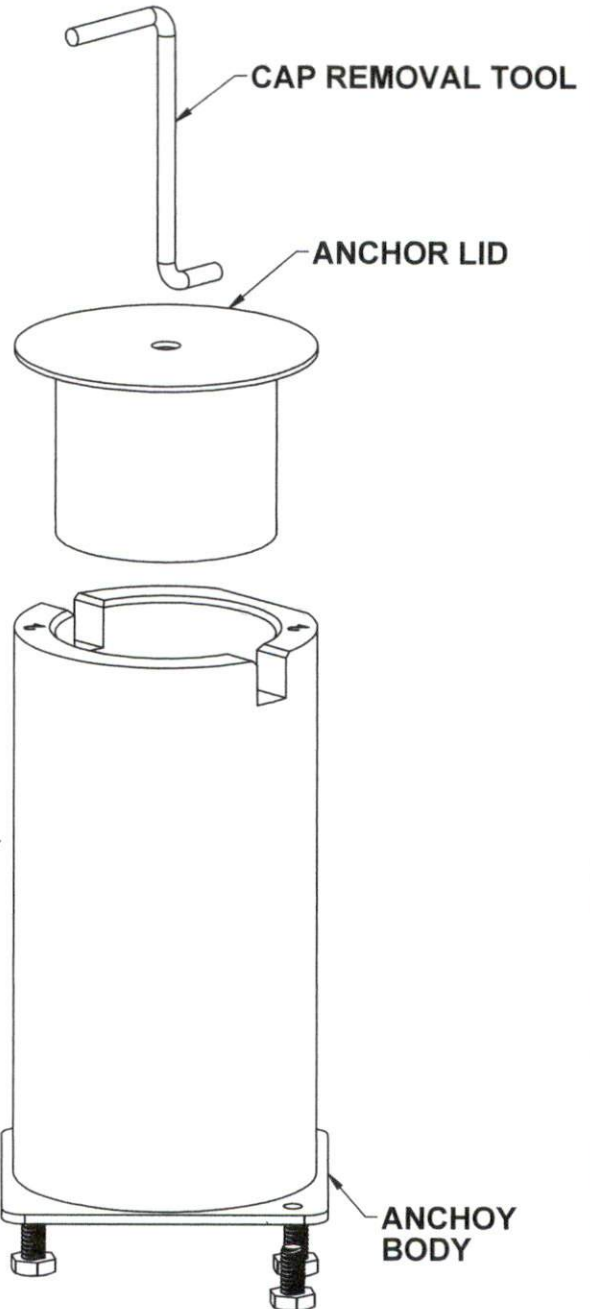
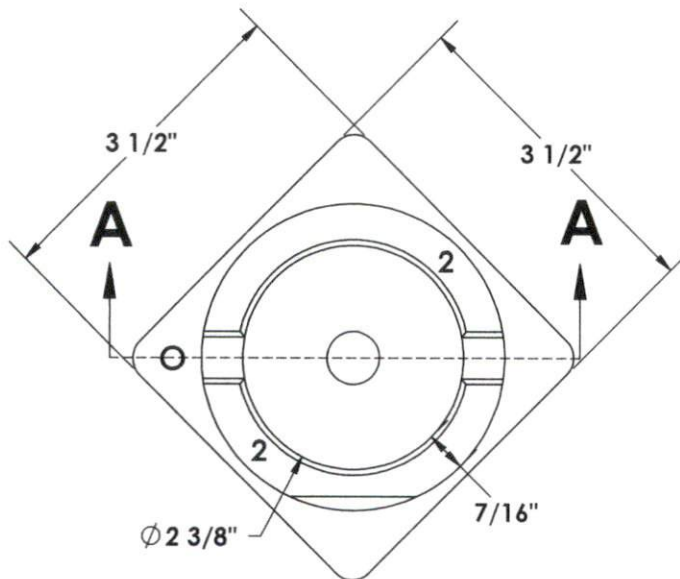
542142

¹ 2 in. long spigot ² 2 in. shrt. spigot ³ Not for use with saltwater pools ⁴ Not for use as a suction fitting
⁵ Use only as a floor inlet fitting. ⁶ Hose to NPT fittings

**ANCHORS AND ACCESSORIES
MODEL - SINGLE POST ANCHOR II**



SECTION A-A



NOTE:

1 DIMENSIONS VARY WITH SPECIFIC APPLICATIONS.
SPECIFICATIONS ARE NOMINAL AND ARE SUBJECT TO CHANGE.
PLEASE CONTACT SPECTUM PRODUCTS FOR CUSTOM APPLICATIONS.

SPECTRUM
Products

7100 Spectrum Lane
Missoula, Montana 59808
406.542.9781 * 800.791.8056
Fax: 406.542.1158
www.spectrumproducts.com

ENGINEERING DATA

PRODUCT:	SINGLE POST ANCHOR II
PRODUCT #:	21700-02
REVISION:	C
MATERIAL:	BRONZE/STAINLESS STEEL

TAG # 13



4" ADJUSTABLE FLOOR RETURN FITTING WITH WATER STOP

FEATURES

Diverter plate molded as one piece – no glue joints for longer lasting commercial use

Integrated water stop to reduce leaks

2" x 1½" slip pipe adapter included

Full 360-degree flow

Flow rate up to 80 GPM
CAUTION: NOT to be used as a suction outlet

Manufactured from engineered polymer
UV-resistant ABS material

Stainless steel screws

25 per case

Also available as return diverter plate only for remodels, repairs, etc. p/n DIV0xxx 25 per case

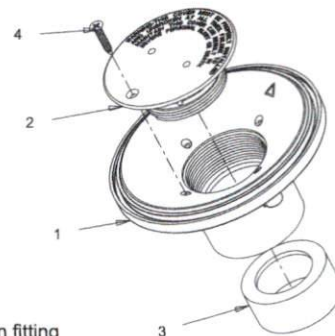
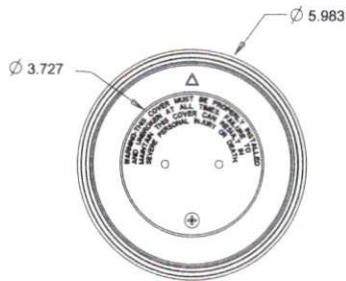


Part # 4DIVxxx, DIV0xxx

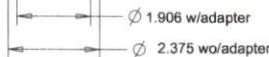
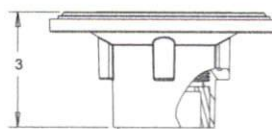
Diverter plate fits: Pentair/Sta-Rite

STANDARD COLORS

- | | |
|------------------------------|------------------------------|
| <input type="checkbox"/> 101 | <input type="checkbox"/> 104 |
| <input type="checkbox"/> 102 | <input type="checkbox"/> 105 |
| <input type="checkbox"/> 103 | <input type="checkbox"/> 108 |



1. Return fitting
2. Return diverter plate
3. 1-1/2 pipe adapter
4. 8x1-14" Phillips flat head 316SS screw, qty 1



Large Wall Fitting with Water Stop (Fits 1 1/2" Pipe)

FEATURES

Fits outside 1 1/2" pipe, 1 1/2" FPT in front face

Similar to standard 1022 but with integrated water stop to reduce leaks

Large flange camouflages pipe and surface construction variations

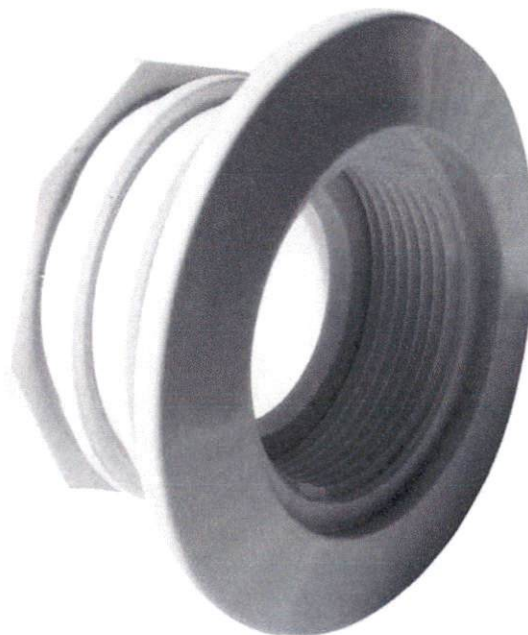
See also decorative cover p/n DCxxx to make existing 1022s like new with different colors

Manufactured from engineered polymer UV-resistant ABS materia

250 per case

Also available in Clear (p/n ES1022WB00)

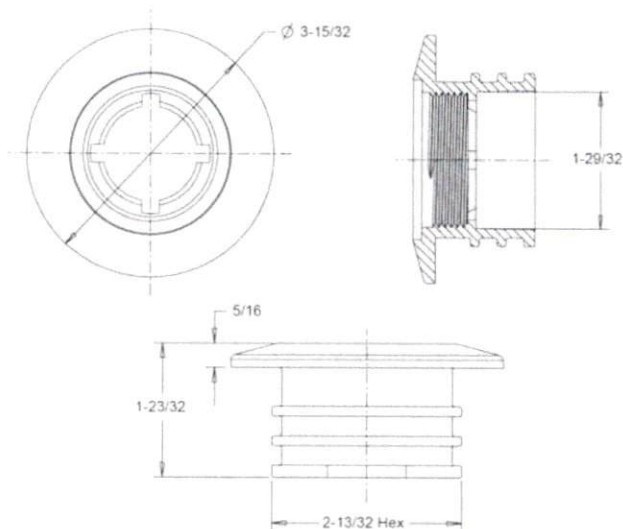
00



Part # ES1022WBxx

STANDARD COLORS

- ES1022WB01 - White
- ES1022WB02 - Black
- ES1022WB03 - Light Gray
- ES1022WB04 - Blue
- ES1022WB05 - Dark Gray
- ES1022WB08 - Tan



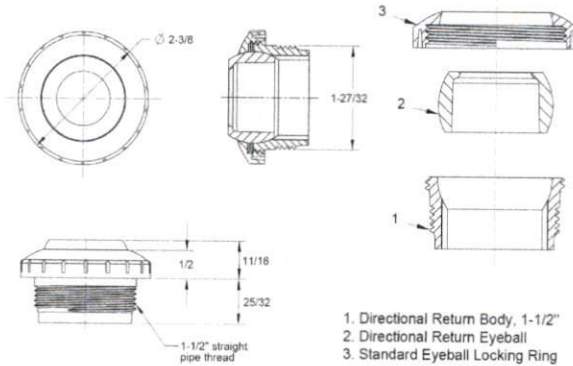


Three-Piece Directional Eyeball Fitting 1½" MPT

Product Image and Dimensions



Part # 81xx



FEATURES

- Screws into 1½" FPT
 - Manufactured from engineered polymer UV-resistant ABS material
- 250 per case

STANDARD COLORS

- 8101
 - 8102
 - 8103
 - 8104
 - 8105
 - 8108
- Additional orifice size suffix:
 82xx - ¾"
 83xx - ½"
 84xx - Slotted Down-Jet
 (i.e. 8201 = white ¾" orifice)
 Also available in Clear
 (p/n 8100, 8200, 8300, 8400)

AquaStar Specific Eyeball GPM, Velocity and Head Loss Ratings

GPM	81xx (1")		82xx (3/4")		83xx (1/2")		84xx (Down-Jet)	
	Velocity (fps)	Head Loss (ft)	Velocity (fps)	Head Loss (ft)	Velocity (fps)	Head Loss (ft)	Velocity (fps)	Head Loss (ft)
5	2.2	0.1	3.6	0.5	8.2	2.4	10.1	2.1
10	4.4	0.5	7.3	1.8	16.3	8.7	20.2	8.1
15	6.6	1.1	10.9	3.7	24.5	18.6	30.3	20.7
20	8.8	1.9	14.5	6.2	32.4	32.0		
25	11.0	3.0	18.2	9.4				
30	13.2	4.4	21.8	13.1				
35	15.4	6.1	25.4	17.3				
40	17.6	8.0						
45	19.7	10.2						
50	21.9	12.7						

TAG # 15



2" X 4" GUTTER DECK DRAIN (FITS 2" PIPE)

FEATURES

Fits over 2" pipe

1½" threaded FPT inside for pressurizing/
winterizing

Manufactured from engineered polymer
UV-resistant PVC material (p/n GDD101
is manufactured from engineered polymer
UV-resistant ABS material)

1½" reducer bushing available
p/n BU101-2x1.5

½" stackable extender available
p/n PE20101

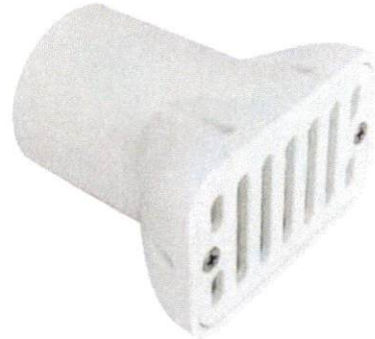
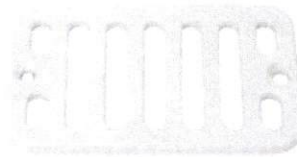
Stainless steel screws

Also available as grate only with two screws

CAUTION: Not to be used as a suction outlet
under any circumstances

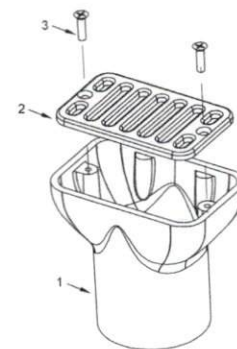
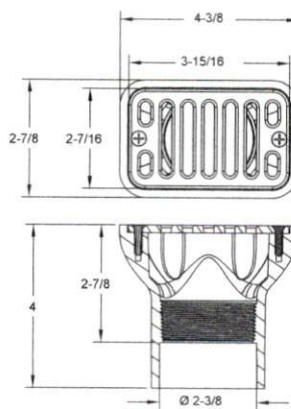
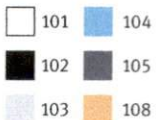
25 per case

Grate only p/n GDDLxxx
25 per case



Part # GDDxxx

STANDARD COLORS



1. 2" x 4" gutter/deck drain body
2. 2" x 4" gutter/deck drain cover
3. 10 x 3/4 flat head Phillips screw, qty 2

TAG # 16

INTELLIBRITE® 5g WHITE LED

UNDERWATER LED LIGHTS FOR SWIMMING POOLS AND SPAS



Featured Highlights

- The brightest most energy efficient white LED pool light on the market
- Energy efficient utilizing up to 86% less energy than comparable incandescent lights
- Superior lens geometry and innovative reflector design combine to create a wider beam and more uniform light distribution
- Pool lens can be rotated to 180 degrees to provide wide beam pattern (standard) or narrow beam pattern
- Compatible with Pentair Stainless steel and plastic niches
- Available in 120V and 12V versions
- Available in 300W, 400W, and 500W incandescent equivalencies



IntelliBrite 5g White LED Pool Light

IntelliBrite® 5g White LED light offers a brighter, more energy efficient alternative to incandescent white lighting. Utilizing its array of LEDs, it is also ideal for commercial applications.

Ordering Information for Pool Lights

Product	Voltage	Cord Length (Ft.)	Incandescent Equivalency	Carton Qty.	Carton Wt. (Lbs.)
INTELLIBRITE 5g WHITE POOL LIGHTS - 300 WATT EQUIVALENT, 120 VOLT					
601100	120V	30 ft.	300W Equivalency	1	
601101	120V	50 ft.	300W Equivalency	1	
601102	120V	100 ft.	300W Equivalency	1	
601103	120V	150 ft.	300W Equivalency	1	
601104	120V	250 ft.	300W Equivalency	1	
INTELLIBRITE 5g WHITE POOL LIGHTS - 300 WATT EQUIVALENT, 12 VOLT					
601105	12V	30 ft.	300W Equivalency	1	
601106	12V	50 ft.	300W Equivalency	1	
601107	12V	100 ft.	300W Equivalency	1	
601108	12V	150 ft.	300W Equivalency	1	
INTELLIBRITE 5g WHITE POOL LIGHTS - 400 WATT EQUIVALENT, 120 VOLT					
601200	120V	30 ft.	400W Equivalency	1	
601201	120V	50 ft.	400W Equivalency	1	
601202	120V	100 ft.	400W Equivalency	1	
601203	120V	150 ft.	400W Equivalency	1	
601204	120V	250 ft.	400W Equivalency	1	
INTELLIBRITE 5g WHITE POOL LIGHTS - 400 WATT EQUIVALENT, 12 VOLT					
601205	12V	30 ft.	400W Equivalency	1	
601206	12V	50 ft.	400W Equivalency	1	
601207	12V	100 ft.	400W Equivalency	1	
601208	12V	150 ft.	400W Equivalency	1	
INTELLIBRITE 5g WHITE POOL LIGHTS - 500 WATT EQUIVALENT, 120 VOLT					
601300	120V	30 ft.	500W Equivalency	1	
601301	120V	50 ft.	500W Equivalency	1	
601302	120V	100 ft.	500W Equivalency	1	
601303	120V	150 ft.	500W Equivalency	1	
601304	120V	250 ft.	500W Equivalency	1	
INTELLIBRITE 5g WHITE POOL LIGHTS - 500 WATT EQUIVALENT, 12 VOLT					
601305	12V	30 ft.	500W Equivalency	1	
601306	12V	50 ft.	500W Equivalency	1	
601307	12V	100 ft.	500W Equivalency	1	
601308	12V	150 ft.	500W Equivalency	1	

Please refer to page 117 for CSA listed IntelliBrite Pool Lights.





FillStar™ Water Level Control System for Pools and Spas



Durable and reliable



FEATURES

- Can be installed alone or with drain/vacuum pool or spa at all times
- Easy to install
- Overflow protection and adjustable presets
- Uses the same size lid and collar as AquaStar skimmers
- Includes a 2" to 1½" adapter
- ¾" plug included if overflow is not needed
- ¾" water supply inlet
- Valve is made of high-strength engineered resin
- Float is injection-molded; thread is pre-molded
- All fittings are made of PVC
- No transition glue needed
- Float thread is ½" MPT
- 1 per case

NEW



Part # AFBxxx

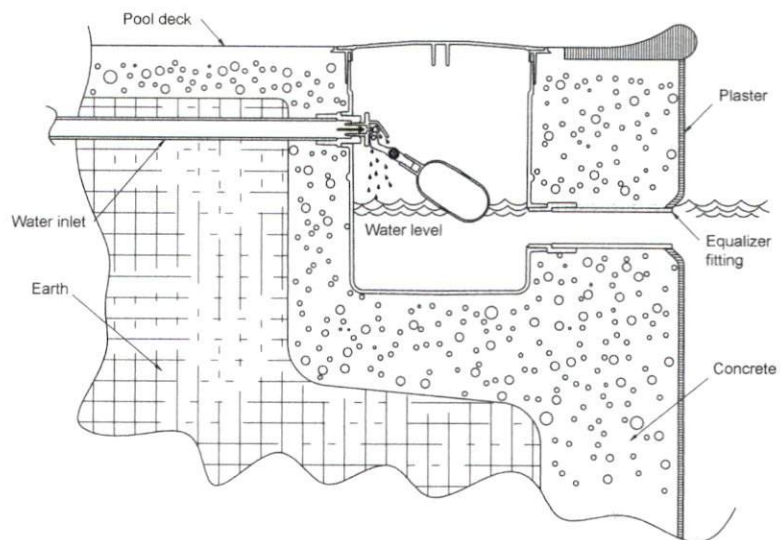
Also available float only part # AFBV

STANDARD COLORS

- AFB101 – White
- AFB102 – Black
- AFB103 – Light Gray
- AFB104 – Blue
- AFB105 – Dark Gray
- AFB108 – Tan

Also available without lid and collar
p/n AFBNLxxx

Also available cover only
p/n SKRTxxx



COMBOConnect® Junction Box Transformer

Model PJBX52100



SIMPLIFY POOL, SPA AND LANDSCAPE LIGHTING INSTALLATIONS

COMBOConnect combines the simplicity of a standard junction box with the power of a 100 W low-voltage transformer. Save time and money on installation of low-voltage nicheless pool lights and landscape lighting.

FEATURES & BENEFITS:

- **Compact Size** – Great for space-constrained areas, COMBOConnect uses at least 20 percent less space than traditional components, preserving wall space and fittings. It's also compatible with direct gluing of non-metallic flexible conduit.
- **Voltage Options** – 12 or 13 volt tap option gives installers the ability to compensate for voltage drop.
- **Expandable** – Two high-voltage ports allows "daisy-chaining" between two COMBOConnect units for larger lighting projects. Low-voltage ports accept 16/2 and 18/2 AWG cord sizes, accommodating all major pool safety light manufacturers.
- **Noise Reduction** – Built-in electronic noise reduction technology helps the electrical performance of the LED lights.
- **Easy Access** – COMBOConnect provides quick access to all connection points and openings. Terminal bars allow for quick, clean and secure connections, as well as easy troubleshooting and testing.

APPLICATIONS:

- In-Ground Pools and Spas
 - Nicheless Low-Voltage Lights
- Landscape Lighting
- Fountain Lighting

COMBOConnect is listed and labeled per NEC 680.24 for use with pool and spa underwater luminaires and per NEC 411 for low-voltage landscape lighting.



SPECIFICATIONS:

- **Input Voltage:** 120 VAC
- **Input Ports:** 2
- **Output Ports:** 5 (with 1/2" 3/4" and 1" reducers)
- **Cycles:** 60 Hz
- **Output Voltage:** 12 VAC or 13 VAC
- **Mounting Bracket SKU:** PA119
- U.S. Patent #10072831



PA119



Mushroom Spray Fountain Model 1800-17

Specifications

Model: 1800-17
Size: 7' 6" Diameter

Features

- Fiberglass dome
- 10" Diameter fiberglass stem
- Water flow: 90-400 gpm (spec)
- Variety of colors

Height Options

Model Number	Clearance
1800-17-84	7' 0"
1800-17-90	7' 6"
1800-17-96	8' 0"
1800-17-114	9' 6"

GPM required for Curtain

Length of Curtain in Feet	GPM	Minimum Feed Pipe Size
8	400	4"
5.5	290	4"
3.5	200	3"
1.5	150	2.5"
Rain Sprinkle	90	2"



PO Box 270, Baker City, OR 97814 (541) 523-0224 (800) 252-8475 www.naturalstructures.com - info@naturalstructures.com

Figure 4 – Residential

TAG # 20



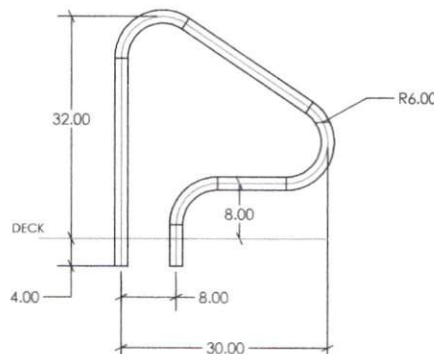
- Tubing: 1.90" OD
 - Wall Thickness: .049", .065"
 - Stainless Steel: 304 or 316L Marine Grade* (add -MG to part number)
 - Bends: 6" Radius
 - Options: Powder-coating and SealedSteel Salt Friendly available
 - Recommended Anchors: AS-100B-SS
 - Recommended Escutcheons: EP-100F (order separately)
 - Sold as pairs, unless otherwise noted
- * Minimum requirement for salt pools is 316L Marine Grade

Figure 4 (1.90" OD)

Model No.	Description	Shipping			
		Weight	Length	Width	Height
F4H-100	30" Figure 4, .065" wall, pair	24 lbs 11kg	39" 99cm	32" 81cm	4" 10cm
F4H-101	30" Figure 4, .049" wall, pair	19 lbs 9kg	39" 99cm	32" 81cm	4" 10cm
F4H-102	26" Figure 4, .049" wall, pair	18 lbs 8kg	39" 99cm	32" 81cm	4" 10cm
F4H-102S	26" Figure 4, .049" wall, single	12 lbs 5kg	39" 99cm	32" 81cm	4" 10cm

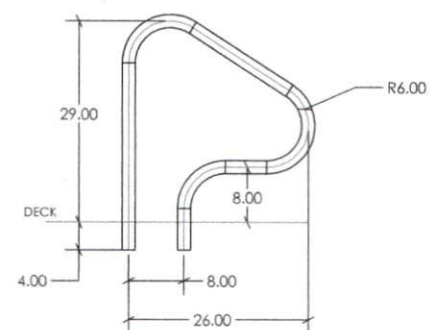
30-inch Setback

F4H-100 & F4H-101



26-inch Setback

F4H-102

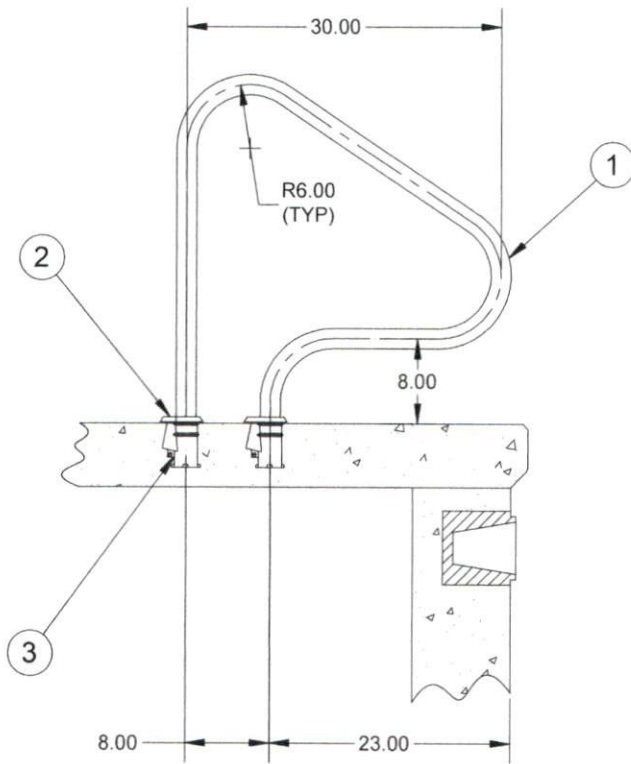


TAG # 21

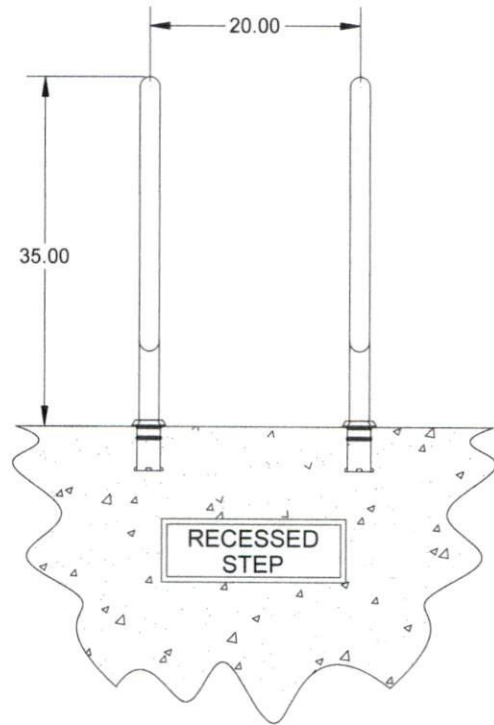


Product Specifications - Drawing

30in Figure 4 Handrail 1.9" OD



SIDE VIEW



FRONT VIEW

MODEL NUMBER	TUBE DIMENSIONS
10179	1.90" O.D. X .065" WALL
10180	1.90" O.D. X .109" WALL
10181	1.90" O.D. X .145" WALL

Specification Number:	SRS-611	
Product Description:	Figure 4 Handrail	
S.R. Smith Part Number:	10179 to 10181	Scale: NTS
Revision:	B	Date: 12/12/16
Written By:	K. Andrus-Hughes	Date: 12/12/16
Approved By:	B. Svendsen	Date: 12/12/16
Page 1 of 2	Proprietary and confidential. The information contained in this specification is the sole property of S.R. Smith LLC. Any reproduction in part or whole without the written consent of S.R. Smith LLC is prohibited.	

S.R. Smith, LLC
P.O. Box 400, 1017 SW Berg Parkway
Canby, Oregon 97013
Tel: (888) 677-7776 (503) 266-2231
Fax: (503) 266-4334
www.srsmith.com



Product Specifications - Written

30in Figure 4 Handrail 1.9" OD

Product Name: Figure 4 Handrail

Part Number: 10179 to 10181

General Notes: The **Figure 4 Handrail** is a moderate height rail made of polished type 304 stainless steel. (add -MG to part number for 316L marine grade stainless steel). Sold in pairs

Application: With proper anchoring, the Figure 4 Handrail is suitable for use on poured concrete, shotcrete, fiberglass, and vinyl commercial pools and spas as well as for other applications in most geographic areas.

Specifications:

- 1. Handrail:** The handrail is made of 1.90" O.D. (48.3 mm) type 304 polished stainless steel and is available in .065", .109" or .145" (1.65mm, 2.76mm, 3.68mm) wall thickness. All bends are a nominal 6" (152.4mm) radius.
- 2. Escutcheon (Optional):** (p/n EP-100F or EP-100F-MG) The recommended escutcheon plates are 4.5" (114.3mm) in diameter and made of 304 or 316 stainless steel.
- 3. Anchor Assembly (Optional)** (p/n AS-104MG): This recommended anchor socket is 316 marine grade stainless steel. It is intended for heavy-duty commercial use and secure fixtures by means of a wedge assembly. The anchor comes with a brass 1/4-20 UNC grounding screw for bonding.

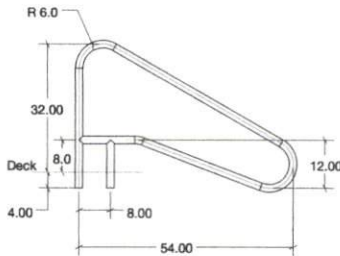
Additional Product Numbers and Shipping Weight:

MODEL NUMBER	DESCRIPTION	SHIPPING WEIGHT
10179	30" Figure 4 Handrail 1.90" O.D. x .065 Wall	24lbs. (10.9kg)
10180	30" Figure 4 Handrail 1.90" O.D. x .109 Wall	38 lbs. (17.3kg)
10181	30" Figure 4 Handrail 1.90" O.D. x .145 Wall	48 lbs. (21.8kg)

Specification Number:	SRS-611	<p align="center">S.R. Smith, LLC P.O. Box 400, 1017 SW Berg Parkway Canby, Oregon 97013 Tel: (888) 677-7776 (503) 266-2231 Fax: (503) 266-4334 www.srsmith.com</p>	
Product Description:	Figure 4 Handrail		
S.R. Smith Part Number:	10179 to 10181		
Revision:	B		Date: 12/12/16
Written By:	K. Andrus-Hughes		Date: 12/12/16
Approved By:	B. Svendsen		Date: 12/12/16
Page 2 of 2	Proprietary and confidential. The information contained in this specification is the sole property of S.R. Smith LLC. Any reproduction in part or whole without the written consent of S.R. Smith LLC is prohibited.		

Hand & Stair Rails TAG # ZZ

DMS-102



- Tubing: 1.90" OD
- Wall Thickness*: .049" or .065"
- Stainless Steel: 304 or 316L Marine Grade** (add -MG to part number)
- Bends: 6" Radius
- Options: Powder-coating and SealedSteel Salt Friendly
- Recommended Anchors: AS-100P or AS-100B (order separately)
- Recommended Escutcheon: EP-100F (order separately)

• Sold as a single rail

* Minimum rail thickness is .065 for Commercial

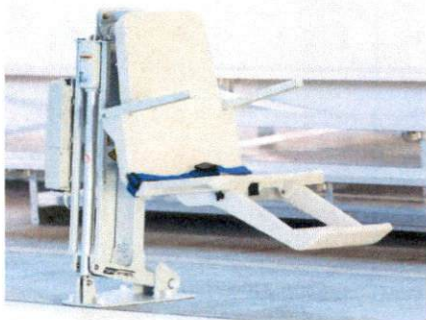
** Minimum requirement for salt pools is 316L Marine Grade

DMS-102

Model No.	Description	Shipping			
		Weight	Length	Width	Height
DMS-102A	54" Center Grab Rail, .049"	15 lbs – 19 lbs 7 – 9kg	59" 150cm	39" 99cm	2" 5cm
DMS-102B	54" Center Grab Rail, .065"	15 lbs – 19 lbs 7 – 9kg	59" 150cm	39" 99cm	2" 5cm
DMS-102P	54" Center Grab Rail, .049" w/welded mounting plate	15 lbs – 19 lbs 7 – 9kg	59" 150cm	39" 99cm	2" 5cm

TAG # HC

multiLift™



A flanged pool lift, with left or right side mounting, and optional folding seat version.

- Third-party tested & verified ADA compliant
- Integrated armrests
- State of California compliant
- 350 lb/159kg lifting capacity
- Retrofit anchor jig is standard
- Optional folding seat assembly
- LiftOperator® Intelligent Controller
- Powder-coated stainless steel and aluminum construction



Lift Color

GRAY MIST

Due to printing technology actual color may differ.



New Construction Jig with Anchors 500-5000A



Wheel-A-Way mobility option provides flexibility to transport the lift if needed



Optional folding seat assembly

Model No.	Description	Shipping - (Class 150)			
		Weight	Length	Width	Height
575-0000	multiLift	200 lbs/91kg	50" 127cm	28" 71cm	2 69cm
575-0000N	multiLift, no anchor				

Note:

- Includes battery, charger, battery console cover, water-resistant hand control, footrest, seat belt assembly, armrests and retrofit anchor jig.

Parts & Accessories

- 1001495 Battery
- 500-5200T Cover
- 500-5500 Wheel-A-Way
- 900-1000 Seat Belt
- 300-6700A Anchors, set of 4
- 300-6900 Retrofit Anchor Jig
- 300-6800A Anchor Bolts, set of 4
- 970-5000T Seat Saver Cover
- 900-6000 Stability Strap
- 170-3000A Armrest Replacement (pair)

multiLift with Folding Seat

Model No.	Description	Shipping - (Class 77.5)			
		Weight	Length	Width	Height
575-0100	multiLift with folding seat*	225 lbs/103kg	50"	24"	28"
575-0100N	multiLift with folding seat, no anchor*	225 lbs/103kg			
575-0105	multiLift with armrests and folding seat	230 lbs/104kg	127cm	61cm	71cm
575-0105N	multiLift with armrests and folding seat, no anchor	230 lbs/104kg			

Note:

- Includes battery, charger, battery console cover, water-resistant hand control, footrest, seat belt assembly and retrofit anchor jig.

* Models without armrests are not compliant with State of California requirements.

Parts & Accessories

- 1001495 Battery
- 500-5100FCT Folding Seat Cover
- 160-6000T Folding Seat
- 900-2000 Stability Vest
- 900-4000 Seat Pad
- 970-0000T Seat Saver Cover
- 170-2320 Armrest Assembly, gray, left & right

New Construction Guidelines

Scenario	Pool Lift	Anchor Jig
Order pool lift and new construction jig at same time	575-3000	500-5000 (no anchors)
Order new construction jig ahead of pool lift	575-3000N	500-5000A (comes with anchors)



