

DU-HFA

CENTRIFUGAL UPBLAST DIRECT DRIVE FANS

CAPTIVE
COMMERCIAL VENTILATION TECHNOLOGIES



- Air Volume: 2 – 22,500 cfm
- Maximum SP: 4" wg. @ standard air density

FEATURES & BENEFITS

- Completely enclosed drive compartment protects motor from airborne contaminants
- Forced fresh air through the motor compartment cools motor and ensures long motor life
- Variable Speed Control on Single Phase Units Only. (VFDs required to adjust speed for 3 phase versions)
- Non-overloading backward inclined wheels, blades and inlets fabricated from aluminum
- Units up to 24" nominal wheel can be wall mounted
- Quick release latches allow for easy access to motor compartment. (Size 12 & larger)
- Standard emergency disconnect switch (Size 12 & larger)

OPTIONS

- Gravity Damper. (UL705 Only)
- Motorized Damper. (UL705 Only)
- Wall Mount Sleeve.
- Roof Curb. (Vented and Non-Vented)
- Grease Collection Box. (Size 12 & larger)
- Bird Screen. (UL705 Only)

Exhaust fan

DU-HFA Specification

TYPICAL SPECIFICATIONS

Model: DU-HFA

Description: Fan shall be a spun aluminum and G90 Galvanized, roof or wall mounted, direct drive, upblast centrifugal exhaust ventilator. Fans up to and including models with a 24" nominal wheel and a 2 HP motor are suitable for wall mounting.

Application: Centrifugal roof exhausters are engineered to discharge grease laden vapors, fumes and other contaminants vertically away from the building.

Certifications: All models shall be ETL Listed and comply with UL705 (electrical) Standards and CSA Std C22.2, No 113. Models 12 thru 85 are ETL Listed and comply with UL762 and ULC-S645 Standards. Fan shall bear the AMCA certified ratings seal for sound and air performance.

Construction:

Housing

The fan windband shall be constructed of heavy gauge aluminum or G90 Galvanized and shall be spun on an automatic lathe to provide consistent dimensions. Horizontal and vertical internal supports shall be used to securely fasten the windband to the discharge apron to provide rigidity for hinging and added strength to reduce shipping damage. The discharge apron shall have a rolled bead for added strength.

Base

The base shall be constructed of galvanized steel for improved rigidity. Base corners shall be welded to provide strength and support for hinging and cleaning and to prevent leakage into the building.

Wheel

The fan wheel shall be centrifugal backward inclined and non-overloading. Wheels shall be balanced in two planes and done in accordance with AMCA standard 204-96, *Balance Quality and Vibration Levels for Fans*. The wheel blades shall be aerodynamically designed to minimize turbulence, increase efficiency and reduce noise. The wheel blades shall be welded to the wheel inlet cone. In the event that balancing weights are required they shall be riveted to the blades or wheel. The wheel inlet shall overlap the fan base inlet for maximum performance and efficiency. The wheel shall be firmly attached to the motor shaft with two set screws.

Motor & Motor Compartment

Standard 115 volt, open drip motors shall be permanently lubricated, rated for continuous duty and thermally protected. Motors shall be mounted out of the airstream and furnished at the specified voltage, phase and enclosure. Motor mounting plate shall be constructed of heavy gauge galvanized steel. The motor compartment shall be cooled by outside air drawn through an extruded aluminum conduit tube. To seal the conduit tube passage and prevent noise silicone rubber grommets shall isolate the conduit tube from the fan housing. The motor compartment shall be of a two-piece construction with the cap having quick release clips to provide quick and easy access to the motor compartment.

Grease Spout

A grease spout made of aluminum tubing shall be welded to the fan housing. The weld shall be factory tested to ensure it will not leak.

Nylon Washers

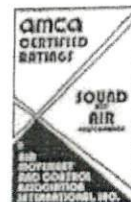
- Combination package that includes a supply fan mounted on the same roof curb.

CERTIFICATIONS

CaptiveAire certifies that Model DU10HFA thru DU360HFA shown herein are licensed to bear the AMCA seal. The ratings shown are based on tests and procedures performed in accordance with AMCA Publication 211 and Publication 311, and comply with the requirements of the AMCA Certified Rating Program.

Models DU10HFA thru DU360HFA are ETL Listed under file number 102628244PRT-001 and comply with UL705 (electrical) Standards and CSA Std C22.2, No 113.

Models DU12HFA thru DU360HFA are ETL Listed under file number 103336443COL-001 and comply with UL762 and ULC-S645 Standards.



Catalog #110C
October 2020

REFRIGERATION AVANTCO

A Series Solid Door Reach-In Refrigerators & Freezers

MODEL #178A12FHC

CABINET CONSTRUCTION

White painted aluminum interior and type 430 stainless steel exterior.

Foamed-in-place CFC- and HCFC-free polyurethane insulation. Removable one-piece grill for cleaning and servicing.

Door has stay-open feature beyond 90° for easy loading; self-close under 90° to save energy.

"No stoop" lower shelf raises product to a higher level for easy access.

REFRIGERATION SYSTEM

Environmentally-safe R290 refrigerant.

Bottom-mounted condensing unit positioned for easy maintenance.

SHELVING

3 gray epoxy-coated steel shelves included.

Each accommodates up to 90 lb.

MODEL FEATURES

Preprogrammed digital controls feature auto-defrost function

PROJECT: _____

MODEL: _____ SERIAL#: _____

ITEM #: _____ QUANTITY: _____

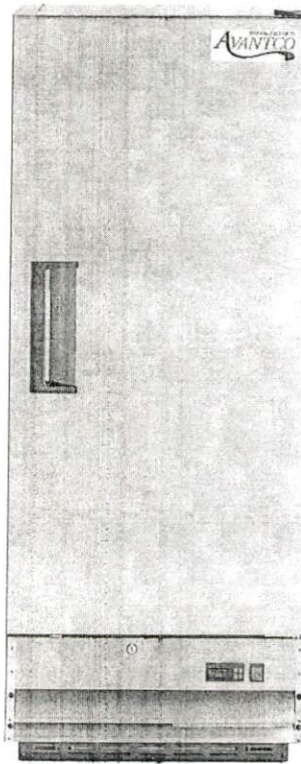
APPROVAL: _____ DATE: _____

A SERIES REACH-IN FREEZER

Keep ingredients within a safe temperature range in a sleek, durable, and easy-to-clean environment

SPECIAL FEATURES

- Compact, narrower width and depth that fits in small footprints
- Self-closing door with convenient stay-open feature
- Easy-to-clean 430 series stainless steel exterior
- Painted aluminum interior
- Temperature range of (-8) - (-1)°F
- 3 shelves included
- Environmentally-safe R290 refrigerant
- Digital temperature controller with automatic defrost function
- 115V, 1/4 hp
- ETL Safety & Sanitation Listed



WARRANTY

RESIDENTIAL: Avantco assumes no liability for parts or labor coverage for component failure, factory defect or any other damages for units installed in non-commercial foodservice or residential applications.



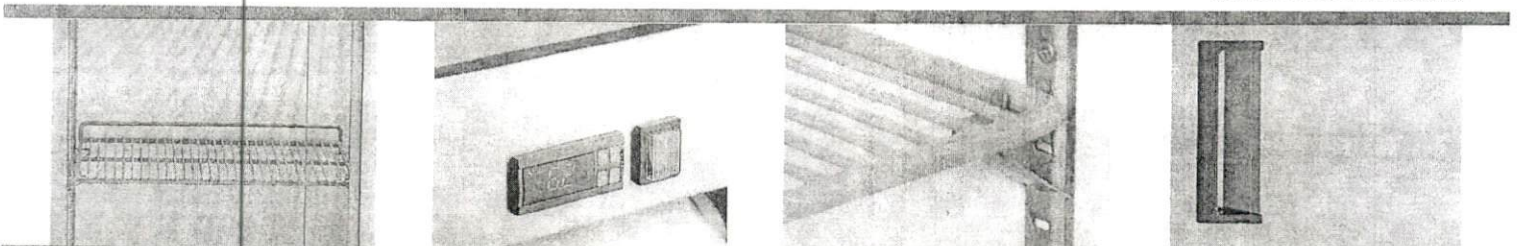
Parts & Labor



Compressor



★ Conforms to UL & NSF-7 Standards





A Series

Solid Door Reach-In Refrigerators & Freezers

MODEL #178A12FHC

TECHNICAL DATA

Dimensions

Exterior Dimensions	24 ¹³ / ₁₆ "W x 23 ⁷ / ₁₆ "D x 64 ¹¹ / ₁₆ "H
Interior Dimensions	20 ⁷ / ₈ "W x 18 ³ / ₈ "D x 48 ³ / ₈ "H
Net Volume	11 cu. ft.
Net Weight	159 lb.
Gross Weight	183 lb.
Packaging Dimensions	26 ¹⁵ / ₁₆ "W x 25 ⁵ / ₈ "D x 68 ⁷ / ₈ "H

Construction

Exterior Material	430 Stainless Steel
Interior Material	Painted Aluminum
Insulation Material	Foamed-In-Place Polyurethane
Shelf Size	(3) 17 ³ / ₄ " x 20 ¹ / ₄ "
Shelf Material	Epoxy-Coated Steel
Shelf Load Capacity	90 lb.

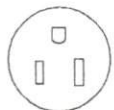
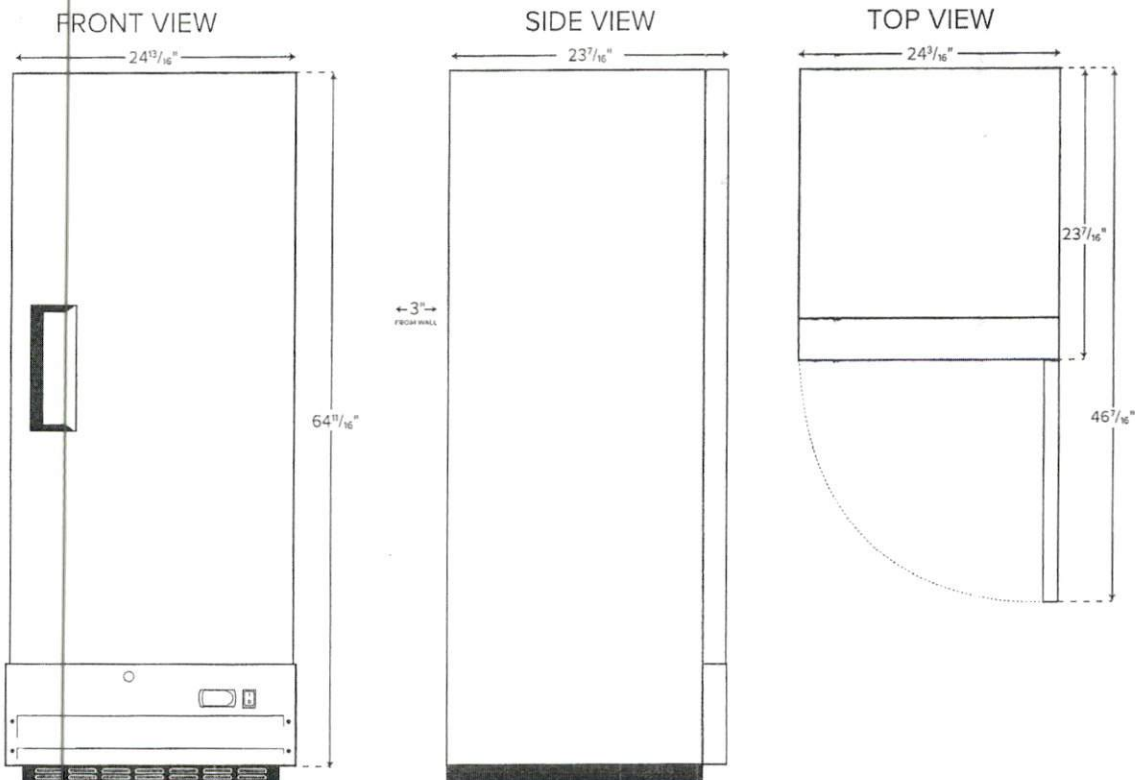
Cooling

Temperature Range	(-8) ^o F - (-1) ^o F
Refrigerant	R290
Max. Ambient Temperature	90 ^o F
Defrosting	Automatic
Temperature Controller	Digital
Horsepower	1/4+

Electrical

Voltage	115
Amps	3.3
Hz	60
Phase	1
Plug Type	NEMA 5-15P
Electrical Cord Length	98"

PLAN VIEW





Project _____
 Item 541ff40l _____ Quantity _____
 Approval _____ Date _____

Main Street Equipment Liquid Propane 40 lb. Stainless Steel Floor Fryer - 90,000 BTU

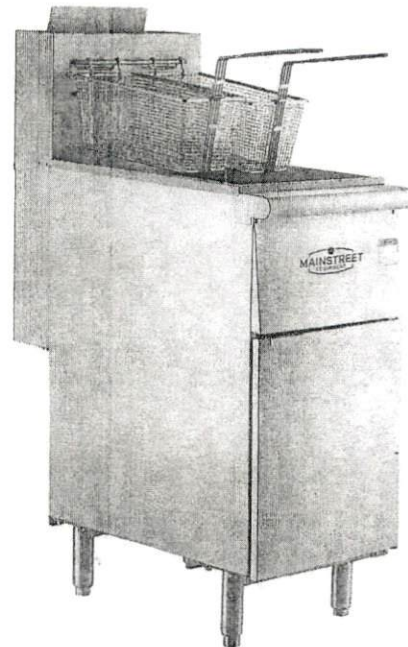
Item #541FF40L

Special Features

- All stainless steel tank, door, front, top, ledge, and header; galvanized steel sides
- Easy-to-use thermostat for accurate and adjustable temperature between 200-400 degrees Fahrenheit
- 40 lb. fry pot with an efficient and quiet 3 tube burner system and full port drain
- Two nickel chrome wire mesh fry baskets included
- Liquid propane 90,000 BTU

Technical Data

Width	15 1/2 Inches
Depth	30 1/4 Inches
Height	47 1/8 Inches
Fry Pot Width	14 Inches
Fry Pot Depth	13 3/4 Inches
Application	Light Duty
Burner Style	Tube
Cabinet	Galvanized and Stainless Steel
Capacity	40 lb.
Control Type	Millivolt
Gas Inlet Size	3/4 Inches
Number of Burners	3 Burners
Number of Fry Baskets	2 Fry Baskets
Number of Fry Pots	1 Fry Pots
Power Type	Liquid Propane
Temperature Range	200 - 400 Degrees F
Temperature Settings	Adjustable
Total BTU	90000 BTU
Type	Gas Floor Fryers



Certifications



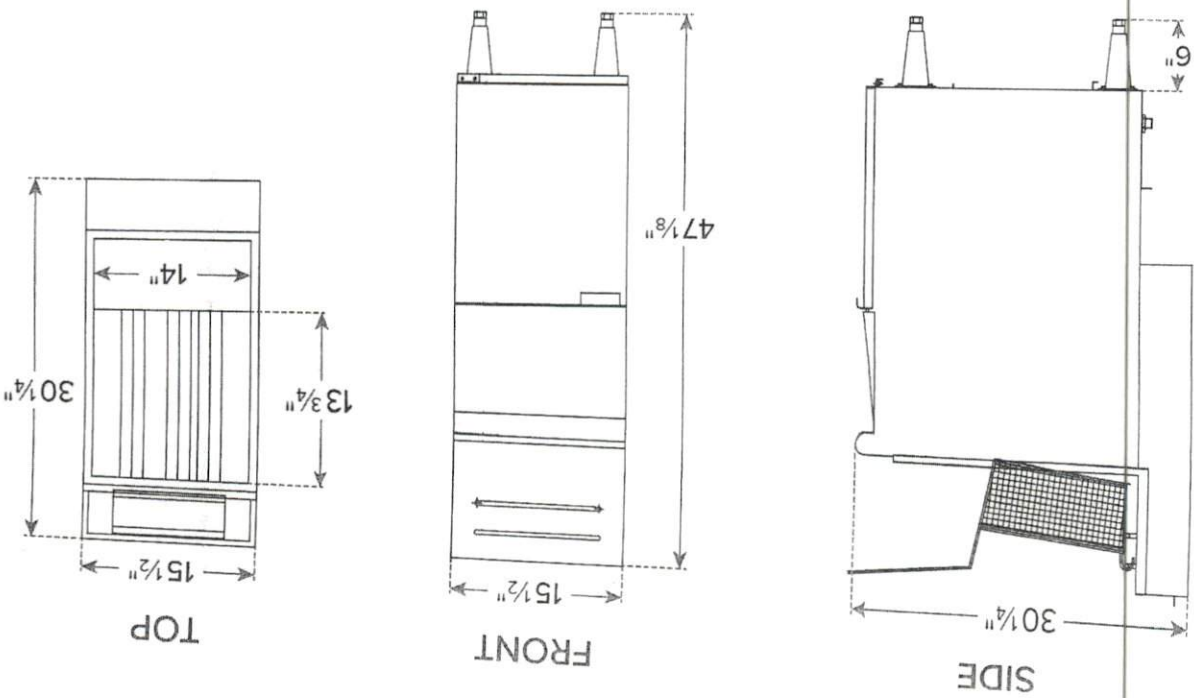
ETL Sanitation



ETL US & Canada



3/4" Gas Connection



WARNING: This product can expose you to chemicals including lead, which are known to the State of California to cause cancer, birth defects, or other reproductive harm. For more information, go to www.p65warnings.ca.gov.

Technical Drawing

GP6500

GENERAC®

GP SERIES
Commercial/Residential
Portable Generators

GP6500

1 of 2

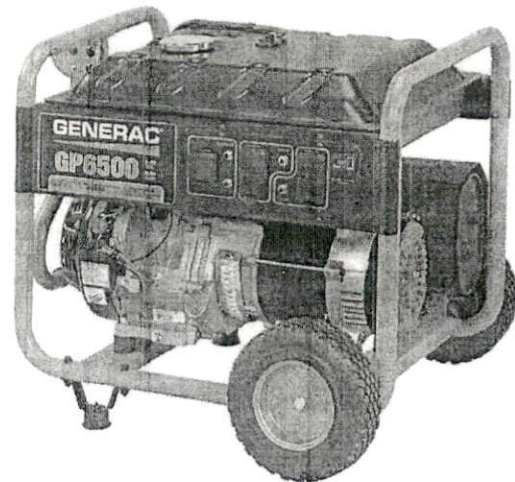
Features

- **The Generac OHV engine** incorporates splash lubrication and provides long life.
- **Large-capacity steel fuel tank** with incorporated fuel gauge provides durability and extended run times.
- **Low-oil level shutdown** automatically safeguards engine from damage.
- **Hardened 1 1/4" steel tube cradle** for added strength and durability.
- **Hour Meter** tracks usage for proper service intervals.
- **Heavy-duty, never flat wheels** for reliable portability.
- **Covered outlets** for added protection from the environment and rugged working conditions.

Models 5940-2 UPC: 696471059403 (EPA/49-State)

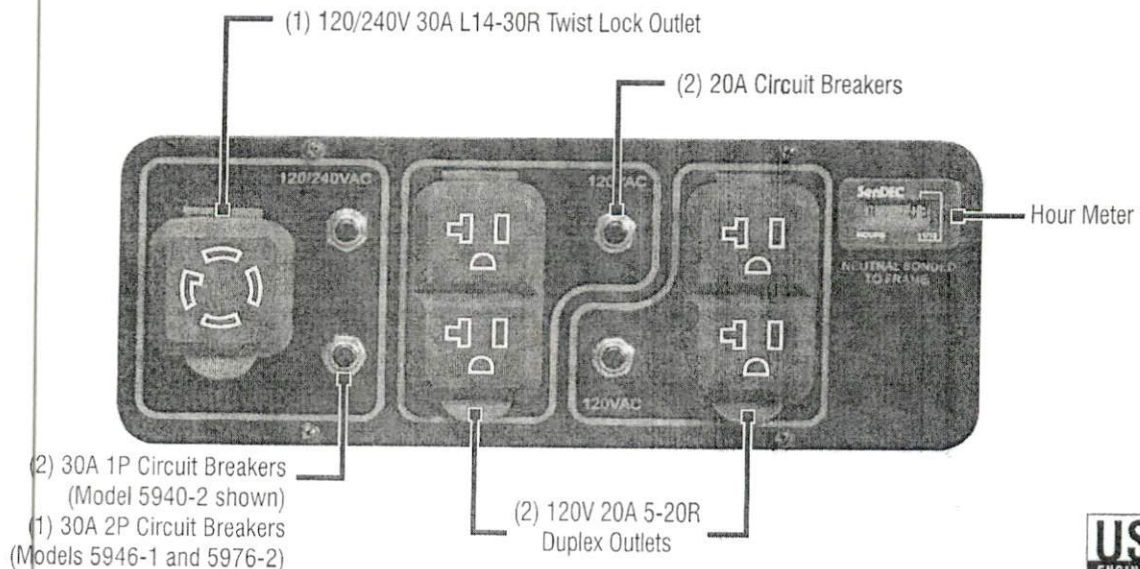
Model 5946-1 UPC: 696471059465 (EPA/CARB/California)

Model 5976-2 UPC: 696471059762 (EPA/49-State/CSA/Canada)



AC Rated Output Running Watts 6500
AC Maximum Output Starting Watts 8125

49-State Control Panel



GP6500

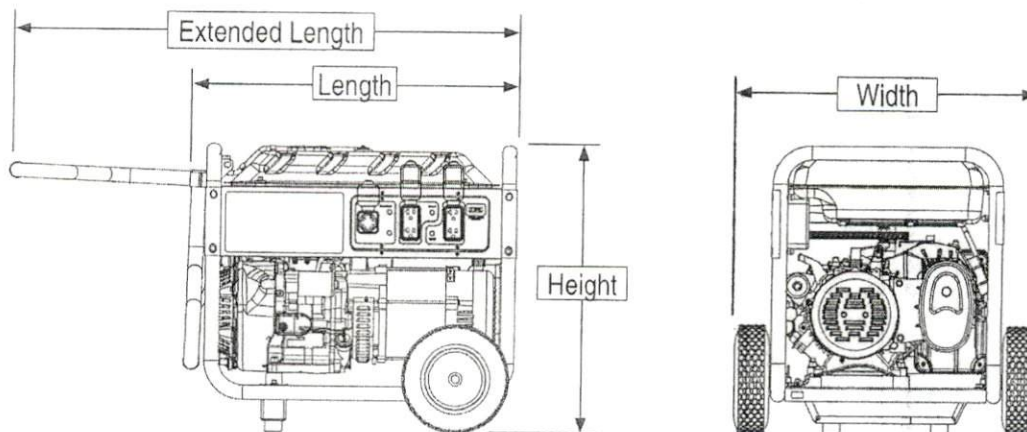
specifications

Product Series	GP6500
Model (Configuration)	5940-2 (EPA/49-State) 5976-2 (EPA/49-ST/CSA/Canada) 5946-1 (EPA/CARB/California)
AC Rated Output Running Watts:	6500
AC Maximum Output Motor Starting Watts:	8125
AC Voltage	120/240 VAC
AC Frequency	60 Hz
Rated VAC Amperage	54.2/27.1
Max Rated VAC Amperage	67.8/33.9
Engine Displacement	389cc
Engine Type	OHV
Engine RPM	3600
Recommended Oil	10W-30 / SAE30
Lubrication Method	Splash
Automatic Voltage Regulation (AVR)	Yes
Choke Location	On Engine
Fuel Shut Off	On Fuel Tank
Starting Method	Recoil Pull Start
Low Oil Shutdown Method	Low Level
Neutral Bonded to Ground	Yes

Start Switch Type	On/Off Switch
Switch Location	On Engine
Fuel Gauge	Built-In Tank
Fuel Tank Capacity Gal (Ltr)	7.2 (27.3)
Run Time at 50% (Hours)	10
Handle Style	Single Folding / Locking
Wheel Type	9.5" Solid Wheels
Maintenance Kit	Sold Separately
Warranty - Residential	2 Year Ltd
Warranty - Commercial	1 Year Ltd

Dimensions and Weights

	Model 5940-2	Model 5946-1	Model 5976-2
Length in (mm)		27.25 (692)	
Width in (mm)		27 (687)	
Height in (mm)		25 (638)	
Extended Length in (mm)		44.5 (1129)	
Carton Length in (mm)		31 (790)	
Carton Width in (mm)		21.5 (550)	
Carton Height in (mm)		23.25 (590)	
Unit Weight lbs (kg)	175 (79.3)	177 (80.3)	175 (79.3)
Shipping Weight lbs (kg)	197.5 (89.6)	200 (90.6)	197.5 (89.6)



Generac Power Systems, Inc. • P.O. Box 8, Waukesha, WI 53187 • generac.com

©2013 Generac Power Systems, Inc. All rights reserved. All specifications are subject to change without notice. Bulletin 0196620-A / Printed in U.S.A. 09/19/13

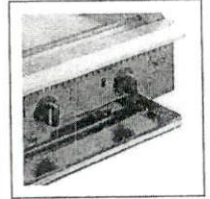
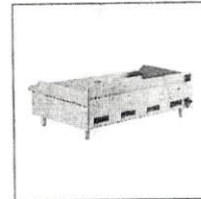
Item #: 177cag48tg _____ Project: _____

Qty: _____ Date: _____ Approval: _____



Avantco Chef Series CAG48TG 48" Countertop Gas Griddle with Thermostatic Controls - 140,000 BTU

Item #177CAG48TG



Technical Data

Width	48 Inches
Depth	31 7/16 Inches
Height	15 15/16 Inches
Cooking Surface Width	48 Inches
Cooking Surface Depth	20 Inches
Burner BTU	35000 BTU
Control Type	Thermostatic
Gas Inlet Size	3/4 Inches
Griddle Location	Full Surface
Installation Type	Countertop
Number of Burners	4 Burners
Number of Controls	4
Plate Thickness	3/4 Inches
Power Type	Field Convertible Natural Gas
Temperature Settings	Adjustable
Total BTU	140000 BTU
Type	Griddles
Usage	Standard Duty

Features

- Capitalize on cooking space with 4 independent burners
- Thermostatic controls maintain temperature within a few degrees
- 3/4" thick polished steel griddle plate for ample heat retention and reduced recovery time
- Field convertible to liquid propane; orifices included
- 140,000 BTU; 3/4" rear gas connection¹

Certifications



ETL US & Canada



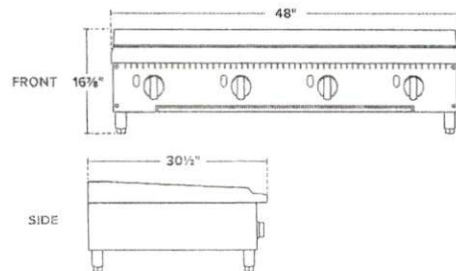
3/4" Gas Connection



UL Classified EPH

Avantco Equipment

Plan View



Notes & Details

Perfect for busy operations that are tight on space, this Avantco Chef Series CAG48TG 48" countertop gas griddle with thermostatic controls adds easy compact convenience to your kitchen! The unit is space efficient, designed specifically for your kitchen countertop and allows you to maximize every inch of work space. With (4) 35,000 BTU burners, it is ideal for cooking burgers, pancakes, or vegetable skewers, as each burner can be set to a different temperature. For quality performance, the griddle surface is 3/4" thick, ensuring quick recovery and convenient heat retention, saving you money and keeping your kitchen cool.

With a countertop design, the unit is space efficient, leaving room in your kitchen for additional equipment, supplies, or work surface area. It also allows placement on top of existing work tables and chef bases, ensuring that your space is maximized to its full potential. For quick and easy cleaning, this unit features a waste tray to collect food particles. Simply remove the tray, empty or rinse it, and return it back to its original spot.

Operation is simple and intuitive, thanks to the 4 large control knobs located on the front of the unit. These controls operate the burners independently, so you can set each burner on the griddle to a different temperature and cook different items at the same time. This griddle features thermostatic controls which your cooks are sure to appreciate in a busy kitchen. Instead of constantly monitoring the temperature, like with manual controls, simply set the griddle to your desired temperature and it will maintain that temperature within a few degrees! Unlike other gas griddles that require liquid propane or natural gas, this unit ships ready for a natural gas connection, but can be converted to accept liquid propane. The unit uses a total 140,000 BTU for operation.

⚠ WARNING: This product can expose you to chemicals including lead, which are known to the State of California to cause cancer, birth defects, or other reproductive harm. For more information, go to www.p65warnings.ca.gov.

**16-GAUGE STAINLESS STEEL
ONE COMPARTMENT SINK
WITH ONE DRAINBOARD (LEFT)**

ITEM #: _____ QUANTITY: _____

PROJECT: _____

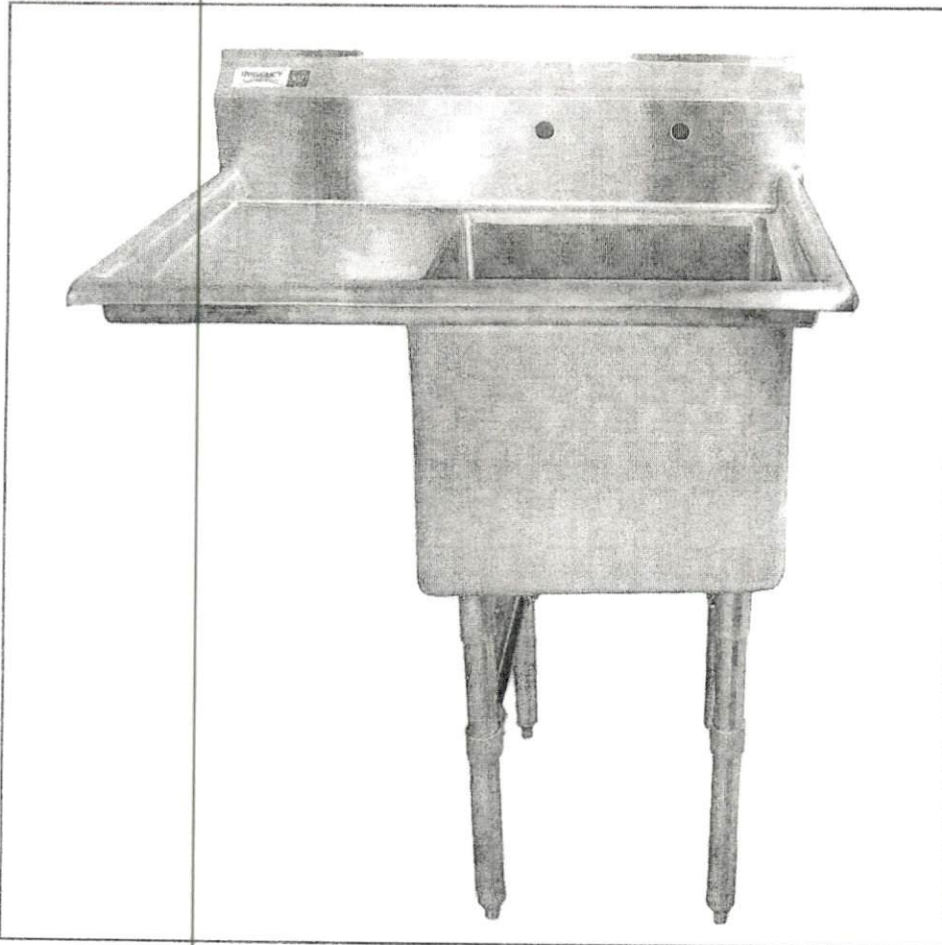
APPROVAL: _____

DATE: _____



FEATURES

- Made of high-quality 16-gauge, type 304 stainless steel
- 1⁵/₈" stainless steel legs with sockets
- Adjustable bullet feet for added stability
- Faucet holes pre-punched on 8" centers (faucet sold separately)
- 3¹/₂" IPS drain connection
- Rolled edge contains splashes and overflow



SPECIFICATIONS

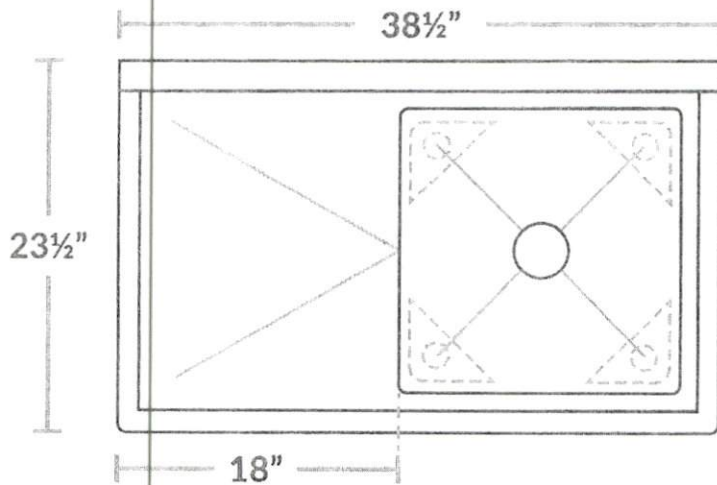
ITEM	LENGTH	DEPTH	HEIGHT (Total)	HEIGHT (Work)	BOWL DEPTH	BOWL L to R	BOWL F to B	NUMBER OF DRAINBOARDS	SIDE	NET WEIGHT
600S1181818XLFT	38 ¹ / ₂ "	23 ¹ / ₂ "	43 ³ / ₄ "	36 ¹ / ₂ "	14"	18"	18"	1	Left	49 LB.



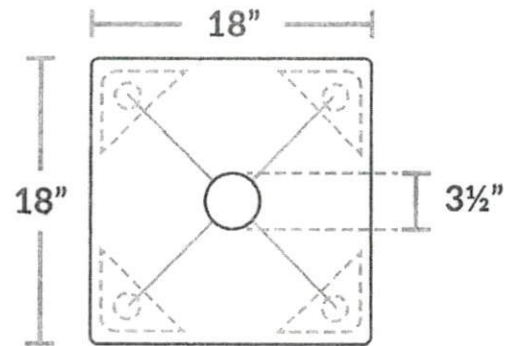
16-GAUGE STAINLESS STEEL
ONE COMPARTMENT SINK
 WITH ONE DRAINBOARD (LEFT)

REGENCY
 Tables and Sinks

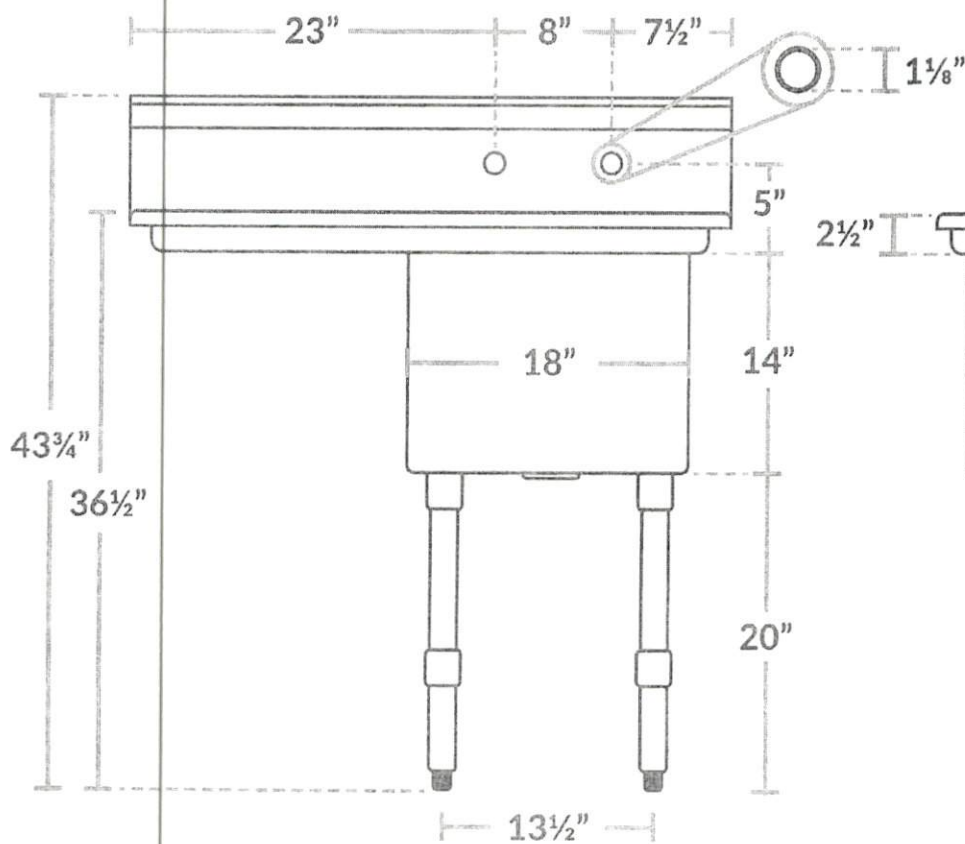
TOP



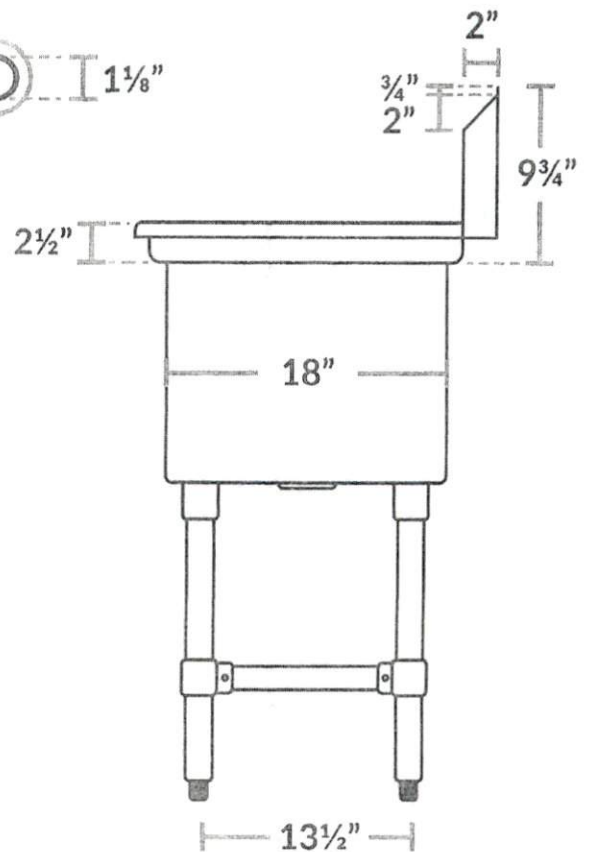
BOWL



FRONT



SIDE





**John
BOOS**
Since 1887

ITEM #: _____ QTY: _____
 MODEL #: _____
 PROJECT NAME: _____

070717

3601 S. Banker St. Effingham, IL 62401 • P.O. BOX 609 • Ph: (888) 431-2667 • Fax: (800) 433-2667

"PBHS-14" PRO-BOWL HAND SINKS FOR SPLASH MOUNT FAUCETS



FEATURES:

- ONE PIECE DEEP DRAWN BOWL
- ALL SINK BOWLS HAVE LARGE LIBERAL RADIUS CORNERS
- INCLUDES BASKET DRAIN
- SPLASH MOUNT FAUCET HOLES 4" ON-CENTER



PBHS-W-1410



PBHS-W-1410-P

CONSTRUCTION:

- BOWL: STAINLESS STEEL TOPS ARE TIG WELDED, EXPOSED WELDS ARE POLISHED TO MATCH ADJACENT SURFACE.



PBHS-W-1410-SSLR



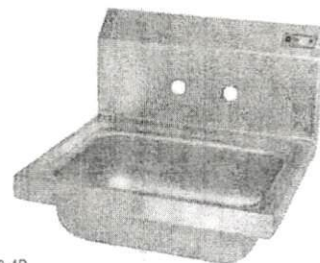
PBHS-W-1410-SSR

MATERIAL:

- BOWL: TYPE 300 STAINLESS STEEL POLISH, SATIN FINISH
- BRACKET: TYPE 300 STAINLESS STEEL POLISH, SATIN FINISH



PBHS-W-1410-P-SSLR



PBHS-W-1410-4D

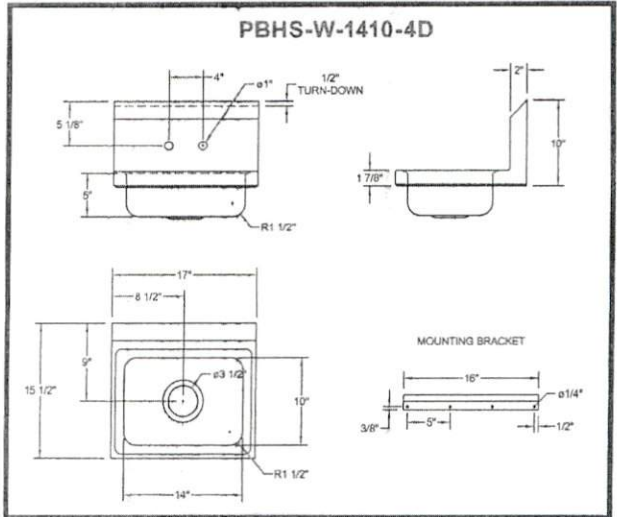
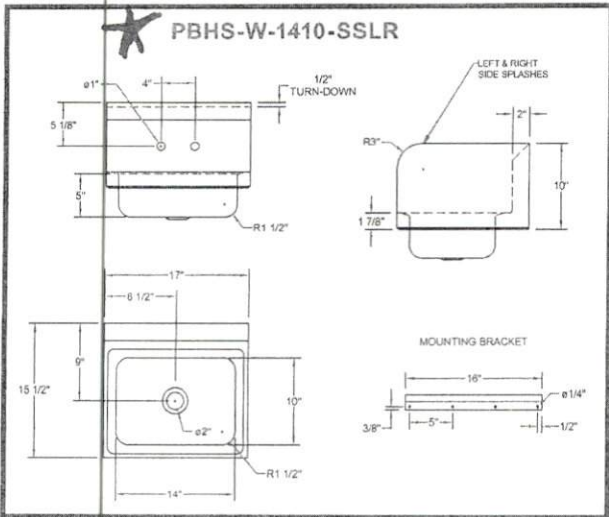
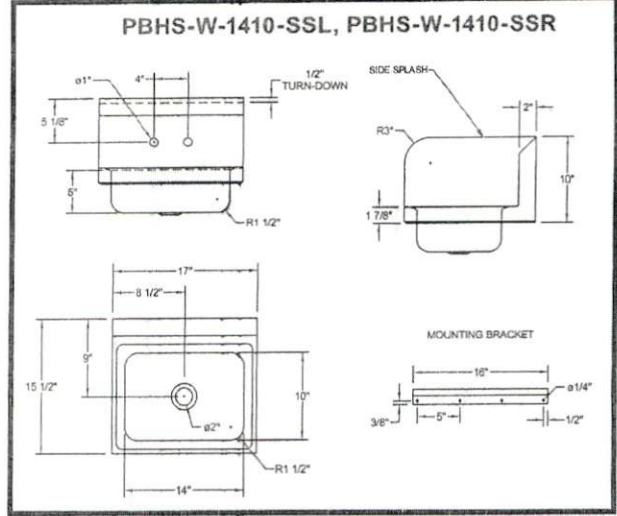
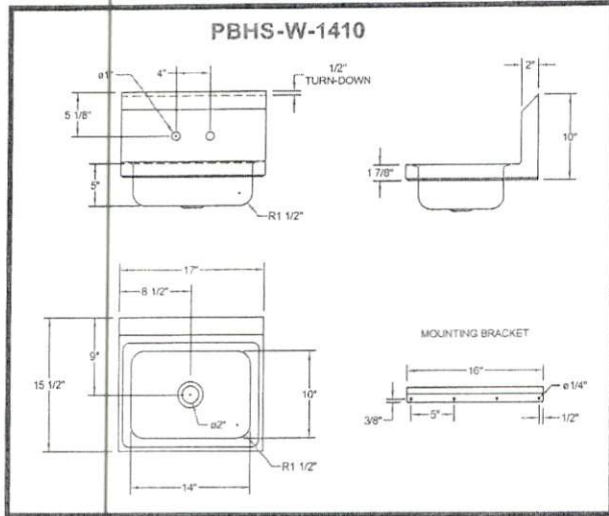
PRO-BOWL HAND SINKS

MODEL #	QTY
PBHS-W-1410	
PBHS-W-1410-P	
PBHS-W-1410-SSL	
PBHS-W-1410-SSR	
PBHS-W-1410-SSLR	
PBHS-W-1410-P-SSLR	
PBHS-W-1410-4D	
PBHS-W-1410-PD	
PBHS-1410-1	
PBHS-1410-1-SSLR	

OPTIONAL ACCESSORIES

DESCRIPTION	QTY
FAUCETS	
SIDE SPASH	
ADA WRIST BLADES	
TOWEL DISPENSER	
LEVER WASTES	
OVER FLOWS	
P-TRAPS	

DETAILED SPECIFICATIONS



PRO-BOWL HAND SINKS

MODEL #	BOWL SIZE (LxWxD)	DRAIN SIZE	FAUCET LOCATION	SIDE SPLASH
PBHS-W-1410	14" X 10" X 5"	1-7/8"	SPLASH MOUNT: 4" ON-CENTER	N/A
PBHS-W-1410-P	14" X 10" X 5"	1-7/8"	SPLASH MOUNT: 4" ON-CENTER (FAUCET INCLUDED)	N/A
PBHS-W-1410-SSL	14" X 10" X 5"	1-7/8"	SPLASH MOUNT: 4" ON-CENTER	LH
PBHS-W-1410-SSR	14" X 10" X 5"	1-7/8"	SPLASH MOUNT: 4" ON-CENTER	RH
★ PBHS-W-1410-SSLR	14" X 10" X 5"	1-7/8"	SPLASH MOUNT: 4" ON-CENTER	LH & RH
PBHS-W-1410-P-SSLR	14" X 10" X 5"	1-7/8"	SPLASH MOUNT: 4" ON-CENTER (FAUCET INCLUDED)	LH & RH
PBHS-W-1410-4D	14" X 10" X 5"	3-1/2"	DECK MOUNT: 4" ON-CENTER	N/A
PBHS-W-1410-PD	14" X 10" X 5"	1-7/8"	DECK MOUNT: 4" ON-CENTER (FAUCET INCLUDED)	N/A
PBHS-1410-1	14" X 10" X 5"	1-7/8"	SPLASH MOUNT: 1 HOLE CENTERED	N/A
PBHS-1410-1-SSLR	14" X 10" X 5"	1-7/8"	SPLASH MOUNT: 1 HOLE CENTERED	LH & RH

DRAIN PLUMBING CONNECTION 1-1/2" THREADS

SOME UNITS SHIP UNASSEMBLED FOR REDUCED SHIPPING COST. ALL DIMENSIONS ARE TYPICAL. TOLERANCE +/- .500"

John Boos & Co. is constantly engaged in a program of improving products and therefore reserves the right to change specifications without prior notice.



KCL



BOS

AC

Quotes

3601 S. Banker St. • Effingham, IL 62401 • PO BOX 609 • quotes@johnboos.com

www.johnboos.com

063017

57

FIR QUESTIONS, CALL THE
Eastern North Carolina
FACILITY: 919-825-2566
FAX: 919-825-2566
EMAIL: info@econair.com

HOOD INFORMATION - JOB#2021049

NO	TYPE	HEIGHT	WIDTH	DEPTH	TYPE	APPROX. DATE	REVISION	BY	DATE	DESCRIPTION
1	2632	2632	2632	2632	2632	2632	2632	2632	2632	2632
2	2632	2632	2632	2632	2632	2632	2632	2632	2632	2632
3	2632	2632	2632	2632	2632	2632	2632	2632	2632	2632
4	2632	2632	2632	2632	2632	2632	2632	2632	2632	2632
5	2632	2632	2632	2632	2632	2632	2632	2632	2632	2632
6	2632	2632	2632	2632	2632	2632	2632	2632	2632	2632
7	2632	2632	2632	2632	2632	2632	2632	2632	2632	2632
8	2632	2632	2632	2632	2632	2632	2632	2632	2632	2632
9	2632	2632	2632	2632	2632	2632	2632	2632	2632	2632
10	2632	2632	2632	2632	2632	2632	2632	2632	2632	2632

HOOD INFORMATION

NO	TYPE	HEIGHT	WIDTH	DEPTH	TYPE	APPROX. DATE	REVISION	BY	DATE	DESCRIPTION
1	55 Baffle With Monocles	6' 16"	16'	302	55	2021	01	2149	2149	55
2	55 Baffle With Monocles	6' 16"	16'	302	55	2021	01	2149	2149	55
3	55 Baffle With Monocles	6' 16"	16'	302	55	2021	01	2149	2149	55
4	55 Baffle With Monocles	6' 16"	16'	302	55	2021	01	2149	2149	55
5	55 Baffle With Monocles	6' 16"	16'	302	55	2021	01	2149	2149	55
6	55 Baffle With Monocles	6' 16"	16'	302	55	2021	01	2149	2149	55
7	55 Baffle With Monocles	6' 16"	16'	302	55	2021	01	2149	2149	55
8	55 Baffle With Monocles	6' 16"	16'	302	55	2021	01	2149	2149	55
9	55 Baffle With Monocles	6' 16"	16'	302	55	2021	01	2149	2149	55
10	55 Baffle With Monocles	6' 16"	16'	302	55	2021	01	2149	2149	55

HOOD OPTIONS

NO	TYPE	HEIGHT	WIDTH	DEPTH	TYPE	APPROX. DATE	REVISION	BY	DATE	DESCRIPTION
1	High Quarter End Panel	6' 16"	16'	302	High	2021	01	2149	2149	High
2	Left Quarter End Panel	6' 16"	16'	302	High	2021	01	2149	2149	High
3	Right Quarter End Panel	6' 16"	16'	302	High	2021	01	2149	2149	High
4	High Quarter End Panel	6' 16"	16'	302	High	2021	01	2149	2149	High
5	Left Quarter End Panel	6' 16"	16'	302	High	2021	01	2149	2149	High
6	Right Quarter End Panel	6' 16"	16'	302	High	2021	01	2149	2149	High
7	High Quarter End Panel	6' 16"	16'	302	High	2021	01	2149	2149	High
8	Left Quarter End Panel	6' 16"	16'	302	High	2021	01	2149	2149	High
9	Right Quarter End Panel	6' 16"	16'	302	High	2021	01	2149	2149	High
10	High Quarter End Panel	6' 16"	16'	302	High	2021	01	2149	2149	High

Hood
919-825-3566 (Nathan)

Concession Hoods (BD2-Tx10)
8820 Gulf Ct, Unit B,
Raleigh, NC, 27617

DATE: 12/21/2021
DWG: JF
S0441049

SCALE: 3/4" = 1'-0"
MASTER DRAWING

SHEET NO. 1



4841 Paragon Park Rd., Raleigh, NC, 27616 PHONE: (919) 825-2566 FAX: (919) 227-6917 EMAIL: reg201@econair.com

NO	DATE	DESCRIPTION
1		

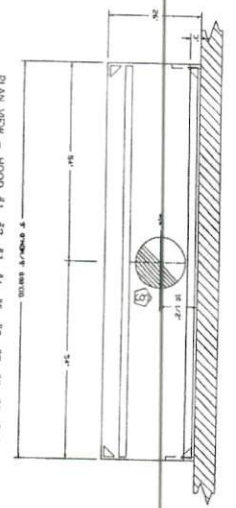
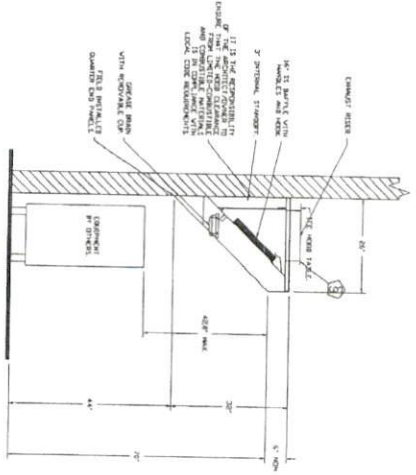
GREASE DUCT & CHIMNEY SPECIFICATIONS:
 PROVIDE GREASE DUCT EQUAL TO ECON-AIR MODEL "EDV"
 IS LISTED TO UL-197B AND LISTED DUCTWORK, MODEL "EDV"
 CONNECTIONS SEALER WITH AN EBER-BROEDERSON, CA-AMP LOCKING
 DOES NOT REQUIRE WELDING PROVIDING IT HAS BEEN INSTALLED PER
 PROVIDE BATTERIES BY INSTALLATION GUIDE.
 PER MANUFACTURER LISTING MODEL "EDV" HOODS 12" CAN BE
 SLOPED 1/16" PER 12". HORIZONTAL RIMS MORE THAN 75 FEET CAN BE
 DUCT SHOULD BE SLOPED AS MUCH AS POSSIBLE TO REDUCE THE CHANCE OF GREASE
 ACCUMULATION IN HORIZONTAL RIMS.
 IF THE DUCT OR CHIMNEY IS WITHIN 18 INCHES OF COMBUSTIBLE MATERIAL, PROVIDE
 UL-2221 OR UL-103 HIT LISTED DOUBLE WALL GREASE DUCT OR DOUBLE WALL INSULATED
 EQUAL TO ECON-AIR MODEL "EDV"-2R, 2R TYPE HT, 3R, DR, 3Z, ROUND 20 GAUGE 430
 STAINLESS STEEL DUCT INSULATED WITH A 24 GAUGE 430 STAINLESS OUTER SHELL.

VERIFY CEILING HEIGHT
 HIGH VELOCITY DIFFUSERS OR HVAC RETURNS
 SHOULD NOT BE PLACED WITHIN TEN (10) FEET
 OF THE EXHAUST HOOD PERFORATED
 DIFFUSERS ARE RECOMMENDED

HVAC DISTRIBUTION NOTE

CUSTOMER APPROVAL TO MANUFACTURE:

APPROVED
 NOT APPROVED

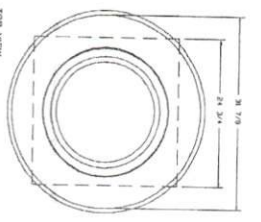
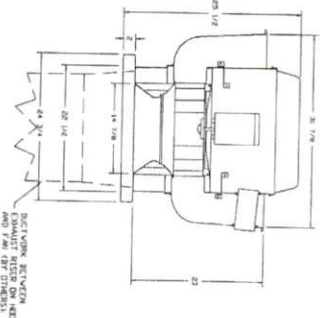


EXHAUST FAN INFORMATION - JOB#5011049

UNIT NO.	FAN UNIT MODEL #	MANUFACTURER	CFM	ESP	PHW	NET WT.	NET WT.	NET WT.	NET WT.	NET WT.	NET WT.	NET WT.
1	10	DORCORA	2349	8.80	1515	1600	16100	1	115	146	713 2PM	11

FAN OPTIONS:

UNIT NO.	FAN UNIT MODEL #	MANUFACTURER	CFM	ESP	PHW	NET WT.	NET WT.	NET WT.	NET WT.	NET WT.	NET WT.	NET WT.
1	10	DORCORA	2349	8.80	1515	1600	16100	1	115	146	713 2PM	11



- FEATURES:**
- EXHAUSTIVE CONNECTION AND INSTALLATION
 - REMOVABLE HOOD
 - VARIABLE SPEED CONTROL
 - INTERLOCK SYSTEM
 - HOOD WITH REMOVABLE CAP
 - HOOD WITH REMOVABLE CAP
 - HOOD WITH REMOVABLE CAP
 - HOOD WITH REMOVABLE CAP

Hood

econ-air
 Eastern North Carolina
 www.econair.com

4641 Paragon Park Rd., Raleigh, NC 27616 PHONE: (919) 825-3566 FAX: (919) 227-4917 EMAIL: regis@econair.com

Concession Hoods (BD2-Tx10)
 8820 Gulf Ct, Unit B,
 Raleigh, NC, 27617

DATE: 12/21/2021
 DWG: 5911508
 DRAWN: [Name]
 SCALE: 3/4" = 1'-0"
 MASTER DRAWING

SHEET NO. 2

SECTION 23 38 13
SPECIFICATIONS
TC Commercial Kitchen Ventilation Hoods, Listed Commercial Kitchen Hoods
Part 1 - GENERAL

1.1 SUMMARY
 A. The BBE series is a Top / Low proximity hood for use over 60°F cooking surface temperatures. The low proximity hood refers to the close location of the hood with respect to the cooking appliances.
 B. The hood shall have the size, shape and performance specified on drawings.

1.2 SUBTITLES

- A. The manufacturer assumes no liability for the use or results of any product not specifically mentioned in these specifications, standards, and local codes and regulations.
- B. As the manufacturer continues product development, it reserves the right to change design and specifications without notice.
- C. The engineer shall study complete computer generated ventilation drawings and specifications for the hood, and all other related drawings must be available to the engineer, architect, and owner for their use in construction, operation, and maintenance.

1.3 QUALITY ASSURANCE

- A. The hood is ETL-listed to standard UL710, ULCTD, and UL-C-5846 National Electrical Safety Code (NFPA 70E) and meets all applicable National Electrical Safety Code (NFPA 70E) and International Fire Protection Code of Commercial Cooking Operations.
- B. Baffle compliance with NSF/ANSI Standard Z.
- C. The hood shall be ETL Listed as:
 - 1. Exhaust Hood Without Exhaust Ductwork.
 - 2. ETL Station Listed and built in accordance with NFPA 96.
 - 3. The ETL label shall list temperature ratings and minimum CFM/FT ratings.

1.4 WARRANTY

- A. All units shall be provided with the following standard warranty:
 - 1. This equipment is warranted to be free from defects in materials and workmanship, under normal use and service, for a period of years from date of shipment.
 - 2. The manufacturer shall not be liable for incidental and consequential damages or for the cost of labor to repair or replace any part of the equipment. The manufacturer shall not be liable for damage to any part of the equipment when the 2-year warranty period expires.
 - 3. The manufacturer shall not be liable for damage to any part of the equipment when the 2-year warranty period expires. Repairs or replacement by manufacturer at no charge. The buyer shall pay all labor charges, including removal and installation of replacement equipment, and all returned equipment shall be shipped by the buyer. Freight prepaid to a destination determined by the manufacturer.
- C. Refer to manufacturer's Operation, Installation, and Maintenance (OIM) Manual for detailed descriptions of what is not covered and contact information for warranty claims.

PART 2 - PRODUCTS

2.1 GENERAL

- A. Construction shall be dependent on the structural application to minimize distortion and other defects. All seams, joints, and penetrations shall be made in accordance with the manufacturer's instructions. The hood enclosure to the lower outdoors exhaust gases, shall have a liquid-tight condensation external weld in accordance with NFPA 96.
- B. Duct sizes, CFM, and static pressure requirements shall be as shown on drawings.

on drawings. Static pressure requirements shall be precise and accurate. Air velocity and volume requirements shall be accurate within 1-ft increments along the length of the ventilation system within

2.2 CONSTRUCTION

- A. Construction shall be type 430 stainless steel.
- B. Ductwork shall be insulated front to eliminate condensation and increase efficiency on wide sizes. The insulation shall have a flexural modulus of at least 100 lb/in. requirements and be in accordance with NFPA 96 and 50B.
- C. Hood shall be equipped with a minimum of four connectors for hanger rods. Hood lengths greater than 12' will have added hangers.
- D. Exhaust duct collar to be 4" high with flange.
- E. The grease drain system shall be an enclosed integral part of the hood and shall have a slope with an exposed, removable 1/2" grease trap and access for cleaning.
- F. Hood shall be primed with UL Classified Firestop, supplied in size and quantity as specified by manufacturer.
- G. All seams shall be welded and have stainless steel on exposed surfaces.

2.3 FITTERS

- A. Keen-rod Stainless Steel Bar/Fit Fitter with Inwards and Bottom Hanging Hood, UL Classified

2.4 ACCESSORIES

- A. End Panels to maximize hood performance and eliminate the effects of cross drafts in the kitchen. Units constructed of stainless steel and shall be constructed to meet all applicable safety and quality standards. Exposed surfaces shall be finished with a high quality powder coat finish.
- 1. Quarter End Panel

PART 3 - EXECUTION

3.1 EXAMINATION

- A. Examine areas and conditions under which the system is installed. Do not proceed until all preinstallation conditions have been corrected in a manner acceptable to installer.

3.2 INSTALLATION

- A. Install in accordance with manufacturer's instructions, drawings, written specifications, manufacturer's installation manual, and all applicable building codes.

Hood

REV	DATE
1	
2	
3	



Concession Hoods (BD2-Tx10)

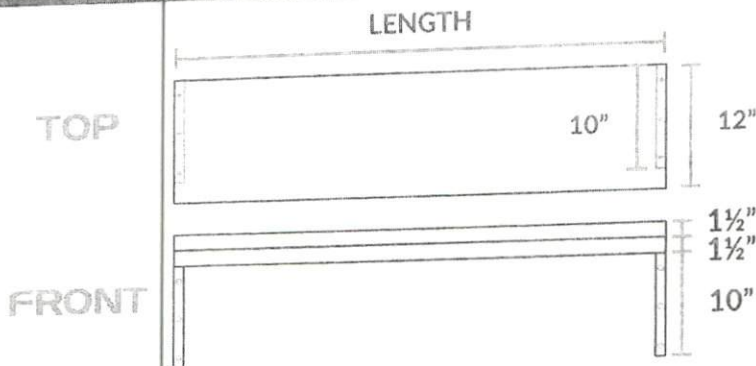
DATE	12/
DWG	5041
DRAWN BY	
SCALE	3/4" = 1'-0"
MASTERED	

STAINLESS STEEL SOLID WALL SHELVES

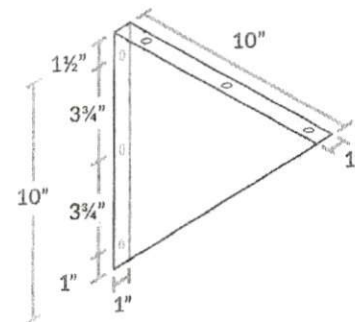
REGENCY
Space Solutions

NSF

★ 12" DEEP SHELVES

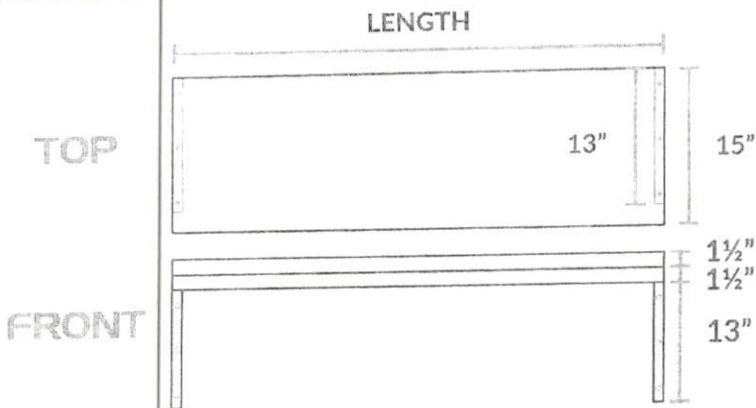


BRACKETS

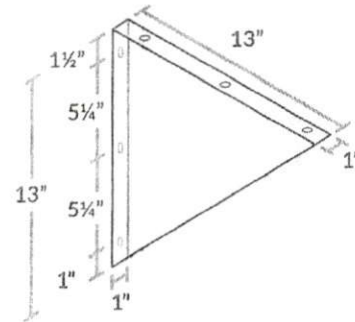


15" DEEP SHELVES

NSF

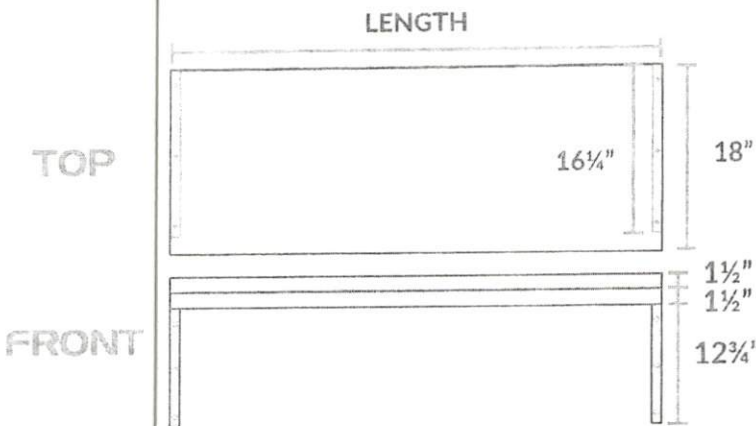


BRACKETS

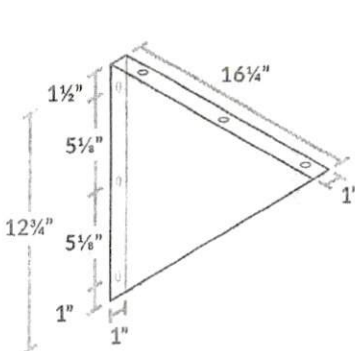


18" DEEP SHELVES

NSF



BRACKETS



Interior serving Counter

STAINLESS STEEL SOLID WALL SHELVES

REGENCY
Space Solutions

FEATURES

- Type 430 stainless steel construction
- Easy to clean
- No sharp edges

SPECIFICATIONS

NSF

ITEM	GAUGE	DEPTH	WIDTH	LOADING CAPACITY	WEIGHT
600WS1224	18 Gauge	12"	24"	210 lb.	7 lb.
600WS1236	18 Gauge	12"	36"	230 lb.	10 lb.
600WS1248	18 Gauge	12"	48"	255 lb.	12 lb.
600WS1260	18 Gauge	12"	60"	285 lb.	15 lb.
600WS1272	18 Gauge	12"	72"	285 lb.	18 lb.
600WS1284	18 Gauge	12"	84"	340 lb.	21 lb.
600WS1296	18 Gauge	12"	96"	365 lb.	23 lb.
600WS1524	18 Gauge	15"	24"	255 lb.	9 lb.
600WS1536	18 Gauge	15"	36"	300 lb.	11 lb.
600WS1548	18 Gauge	15"	48"	345 lb.	15 lb.
600WS1560	18 Gauge	15"	60"	395 lb.	17 lb.
600WS1572	18 Gauge	15"	72"	395 lb.	21 lb.
600WS1584	18 Gauge	15"	84"	505 lb.	24 lb.
600WS1596	18 Gauge	15"	96"	550 lb.	27 lb.
600WS1224HD	16 Gauge	12"	24"	230 lb.	9 lb.
600WS1236HD	16 Gauge	12"	36"	250 lb.	12 lb.
★ 600WS1248HD	16 Gauge	12"	48"	280 lb.	15 lb.
600WS1260HD	16 Gauge	12"	60"	315 lb.	19 lb.
600WS1272HD	16 Gauge	12"	72"	315 lb.	23 lb.
600WS1284HD	16 Gauge	12"	84"	375 lb.	26 lb.
600WS1296HD	16 Gauge	12"	96"	400 lb.	29 lb.
600WS1524HD	16 Gauge	15"	24"	280 lb.	11 lb.
600WS1536HD	16 Gauge	15"	36"	325 lb.	15 lb.
600WS1548HD	16 Gauge	15"	48"	375 lb.	18 lb.
600WS1560HD	16 Gauge	15"	60"	435 lb.	21 lb.
600WS1572HD	16 Gauge	15"	72"	435 lb.	26 lb.
600WS1584HD	16 Gauge	15"	84"	555 lb.	30 lb.
600WS1596HD	16 Gauge	15"	96"	605 lb.	33 lb.
600WS1824HD	16 Gauge	18"	24"	300 lb.	13 lb.
600WS1836HD	16 Gauge	18"	36"	340 lb.	17 lb.
600WS1848HD	16 Gauge	18"	48"	385 lb.	20 lb.
600WS1860HD	16 Gauge	18"	60"	450 lb.	24 lb.
600WS1872HD	16 Gauge	18"	72"	450 lb.	30 lb.

REFRIGERATION AVANTCO

A Series Solid Door Reach-In Refrigerators & Freezers

MODEL #178A12RHC

CABINET CONSTRUCTION

White painted aluminum interior and type 430 stainless steel exterior.
Foamed-in-place CFC- and HCFC-free polyurethane insulation.
Removable one-piece grill for cleaning and servicing.
Door has stay-open feature beyond 90° for easy loading; self-close under 90° to save energy.
"No stoop" lower shelf raises product to a higher level for easy access.

REFRIGERATION SYSTEM

Environmentally-safe R290 refrigerant.
Bottom-mounted condensing unit positioned for easy maintenance.

SHELVING

3 gray epoxy-coated steel shelves included.
Each accommodates up to 90 lb.

MODEL FEATURES

Preprogrammed digital controls feature auto-defrost function

PROJECT: _____

MODEL: _____ SERIAL#: _____

ITEM #: _____ QUANTITY: _____

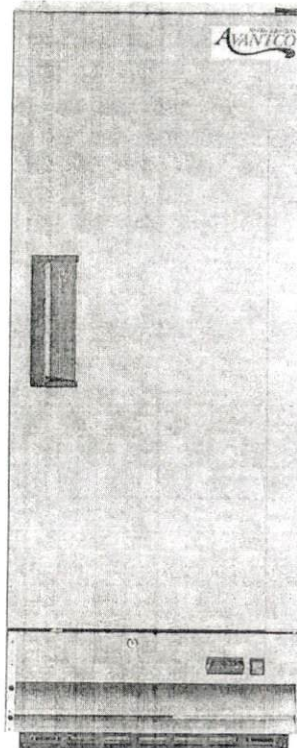
APPROVAL: _____ DATE: _____

A SERIES REACH-IN REFRIGERATOR

Keep ingredients within a safe temperature range in a sleek, durable, and easy-to-clean environment

SPECIAL FEATURES

- Compact, narrower width and depth that fits in small footprints
- Self-closing door with convenient stay-open feature
- Easy-to-clean 430 series stainless steel exterior
- Painted aluminum interior
- Temperature range of 33-40°F
- 3 shelves included
- Environmentally-safe R290 refrigerant
- Digital temperature controller with automatic defrost function
- 115V, 1/6 hp
- ETL Safety & Sanitation Listed



WARRANTY

RESIDENTIAL: Avantco assumes no liability for parts or labor coverage for component failure, factory defect or any other damages for units installed in non-commercial foodservice or residential applications.



* Conforms to UL & NSF-7 Standards





A Series Solid Door Reach-In Refrigerators & Freezers

MODEL #178A12RHC

TECHNICAL DATA

Dimensions

Exterior Dimensions	24 ¹³ / ₁₆ "W x 23 ⁷ / ₁₆ "D x 64 ¹¹ / ₁₆ "H
Interior Dimensions	20 ⁷ / ₈ "W x 18 ⁷ / ₈ "D x 48 ³ / ₈ "H
Net Volume	11 cu. ft.
Net Weight	159 lb.
Gross Weight	183 lb.
Packaging Dimensions	26 ¹⁵ / ₁₆ "W x 25 ⁵ / ₈ "D x 68 ⁷ / ₈ "H

Construction

Exterior Material	430 Stainless Steel
Interior Material	Painted Aluminum
Insulation Material	Foamed-In-Place Polyurethane
Shelf Size	(3) 17 ³ / ₄ " x 20 ¹ / ₄ "
Shelf Material	Epoxy-Coated Steel
Shelf Load Capacity	90 lb.

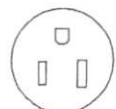
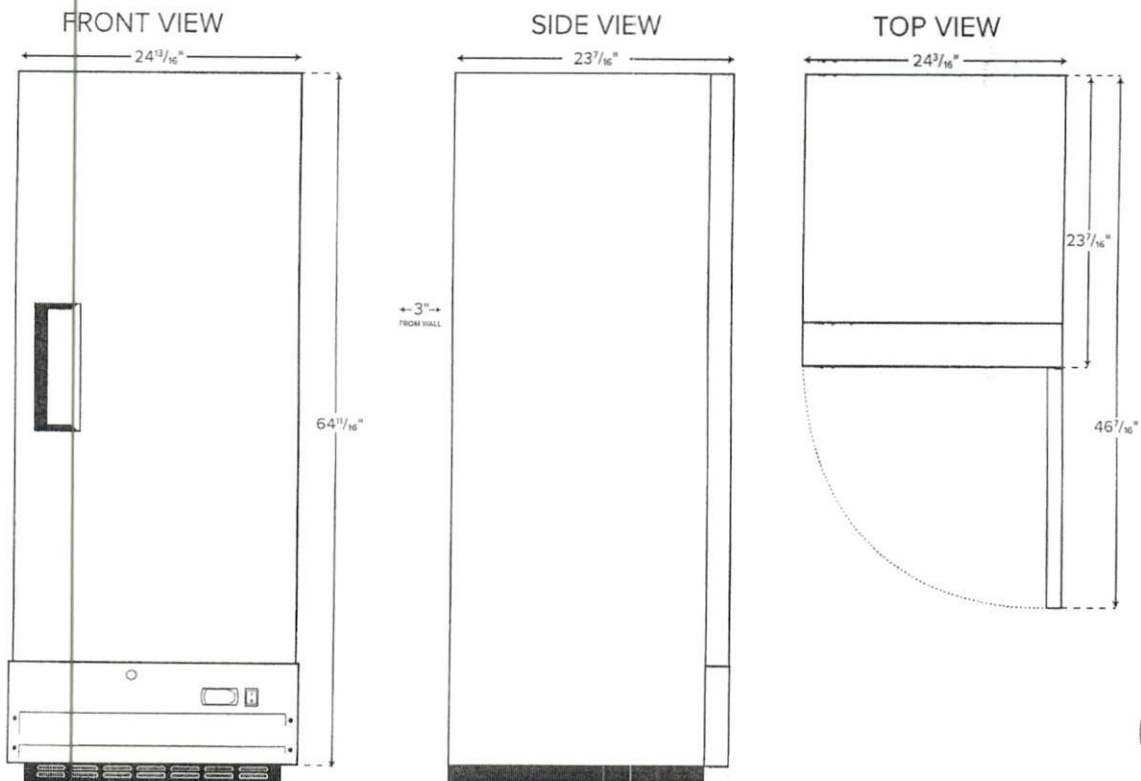
Cooling

Temperature Range	33°F - 40°F
Refrigerant	R290
Max. Ambient Temperature	90°F
Defrosting	Automatic
Temperature Controller	Digital
Horsepower	1/6

Electrical

Voltage	115
Amps	1.9
Hz	60
Phase	1
Plug Type	NEMA 5-15P
Electrical Cord Length	98"

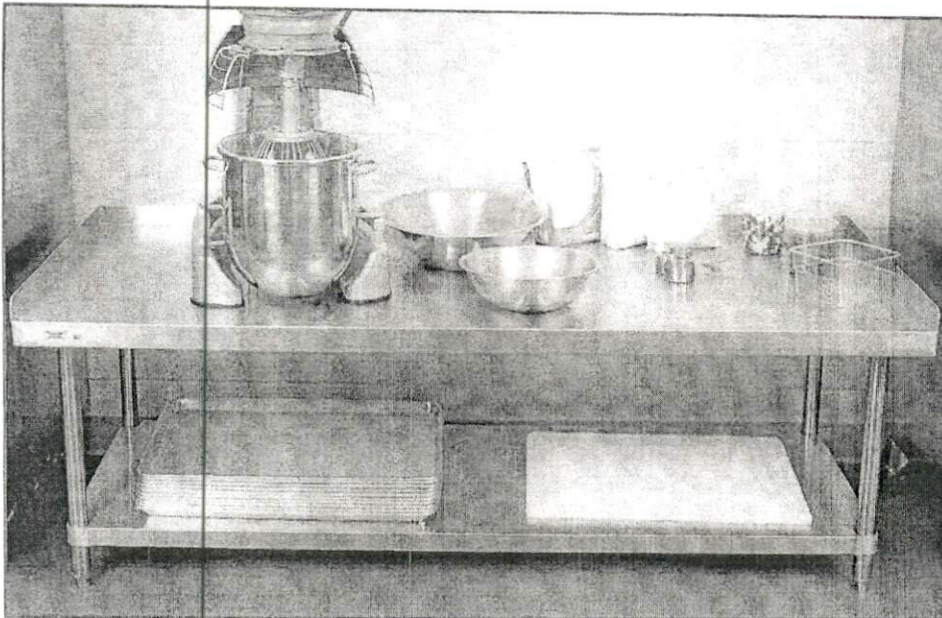
PLAN VIEW



NEMA 5-15P

5ft. table under grill

16-GAUGE STAINLESS STEEL EQUIPMENT STANDS WITH UNDERSHELVES



FEATURES

- Smooth type-304 stainless steel work surface makes cleaning a breeze
- 2" edging keeps equipment from falling off
- Undershell provides additional storage space
- Adjustable bullet feet ensure leveling on uneven surfaces
- Combines unbeatable strength with long-lasting durability
- Simple assembly and installation requires little effort

SPECIFICATIONS



GALVANIZED UNDERSHELVES & LEGS

ITEM	LENGTH	WIDTH	WORK HEIGHT	UNDERSHELF DIMENSIONS	TOP SHELF CAPACITY	UNDERSHELF CAPACITY	WEIGHT
600ES2424G	24"	24"	24"	18" x 18"	700 lb.	540 lb.	35 lb.
600ES2430G	30"	24"	24"	24" x 18"	700 lb.	540 lb.	40 lb.
600ES2436G	36"	24"	24"	30" x 18"	800 lb.	620 lb.	46 lb.
600ES2448G	48"	24"	24"	42" x 18"	800 lb.	620 lb.	59 lb.
600ES3024G	24"	30"	24"	18" x 24"	700 lb.	540 lb.	39 lb.
600ES3030G	30"	30"	24"	24" x 24"	800 lb.	620 lb.	47 lb.
600ES3036G	36"	30"	24"	30" x 24"	800 lb.	620 lb.	51 lb.
600ES3048G	48"	30"	24"	42" x 24"	900 lb.	700 lb.	65 lb.
600ES3060G	60"	30"	24"	54" x 24"	900 lb.	700 lb.	79 lb.
600ES3072G	72"	30"	24"	66" x 24"	1000 lb.	780 lb.	99 lb.
600ES3084G	84"	30"	24"	78" x 24"	1200 lb.	930 lb.	113 lb.
600ES3096G	96"	30"	24"	90" x 24"	1200 lb.	930 lb.	126 lb.

STAINLESS STEEL UNDERSHELVES & LEGS

ITEM	LENGTH	WIDTH	WORK HEIGHT	UNDERSHELF DIMENSIONS	TOP SHELF CAPACITY	UNDERSHELF CAPACITY	WEIGHT
600ES2424S	24"	24"	24"	18" x 18"	700 lb.	540 lb.	35 lb.
600ES2430S	30"	24"	24"	24" x 18"	700 lb.	540 lb.	40 lb.
600ES2436S	36"	24"	24"	30" x 18"	800 lb.	620 lb.	46 lb.
600ES2448S	48"	24"	24"	42" x 18"	800 lb.	620 lb.	59 lb.
600ES3024S	24"	30"	24"	18" x 24"	700 lb.	540 lb.	39 lb.
600ES3030S	30"	30"	24"	24" x 24"	800 lb.	620 lb.	47 lb.
600ES3036S	36"	30"	24"	30" x 24"	800 lb.	620 lb.	51 lb.
600ES3048S	48"	30"	24"	42" x 24"	900 lb.	700 lb.	65 lb.
600ES3060S	60"	30"	24"	54" x 24"	900 lb.	700 lb.	79 lb.
600ES3072S	72"	30"	24"	66" x 24"	1000 lb.	780 lb.	99 lb.
600ES3084S	84"	30"	24"	78" x 24"	1200 lb.	930 lb.	113 lb.
600ES3096S	96"	30"	24"	90" x 24"	1200 lb.	930 lb.	126 lb.

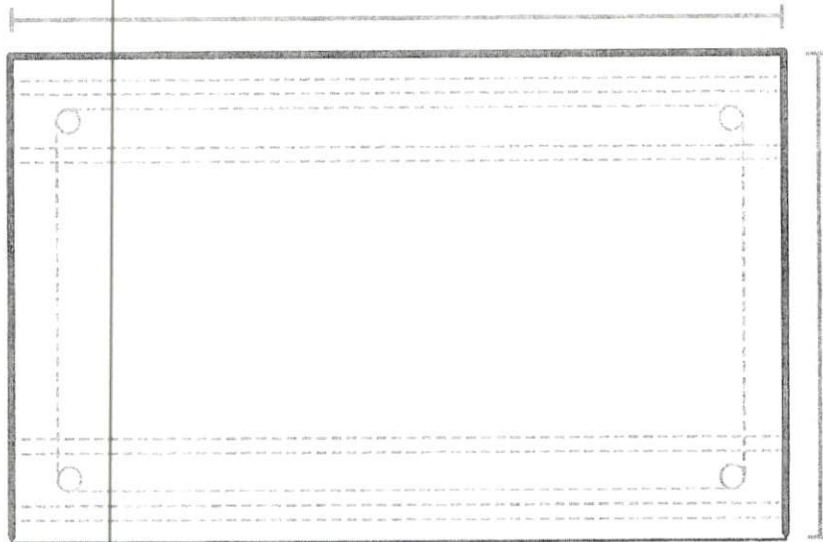
NOTE: 84" & 96" Work Tables Feature (4) Six Legs for Added Stability

16-GAUGE STAINLESS STEEL
EQUIPMENT STANDS
WITH UNDERSHELVES

REGENCY
Tables and Sinks

NSF.

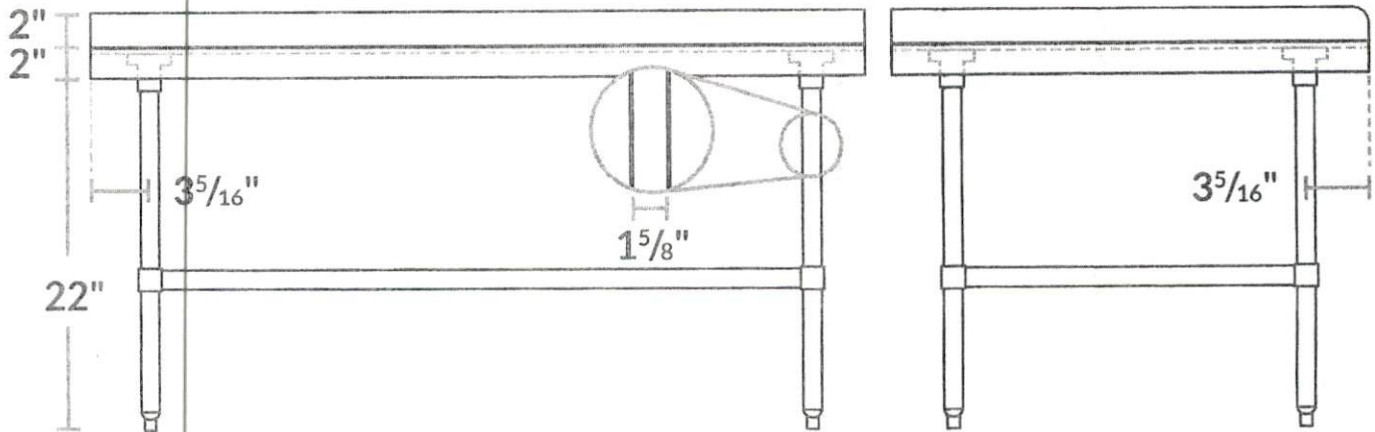
TOP
LENGTH



WIDTH

FRONT

SIDE



Product Information

DESCRIPTION VIDEOS SPECIFICATION REVIEWS

The incredibly efficient Eccotemp FVI12-NG Tankless Water Heater uses an intense gas-fired flame to instantly heat water the moment it passes through the heater exchanger. So, as long as you feed water in, hot water will come out! With the included horizontal vent kit, this Eccotemp FVI12-NG Tankless Water Heater is ready to install for indoor use right out of the box. Great for cabins and smaller homes, so you don't bust your budget for a hot shower! The Eccotemp FVI12-NG Tankless Water Heater is a manual water heater. This means that any water temperature adjustments must be made at the face of the unit using the knobs for water flow and gas pressure. Mixing cold water at your output source is not recommended.

- Whole home indoor, gas-powered tankless water heater, that activates only when in use, making it an energy saver.
- For indoor installation with safe, efficient power ventilation and perfect for any small home, cabin or apartment.
- Easy to read digital temperature display, on a compact and space-saving design with minimal noise output.
- Safe electronic ignition system; plugs into standard 120-volt electrical outlet with UL-listed cord.
- Uses standard 1/2" NPT water fittings and is equipped with easy to use manual water temperature controls.

Product Features:

- Frustration Free Packaging
- Digital thermostat and temperature display
- Manual water-temperature controls
- Stainless steel horizontal vent kit included
- Uses gas only when hot water is activated
- 30-80 psi water pressure
- 25,000-74,500 BTU
- For indoor installation with safe, efficient power ventilation
- Precise temperature and water-flow adjustment
- It pulls only 2 watts and 1.07 amps during operation
- 77 Degrees F rise at 2.3 GPM (gallons per minute)
- 4.0 GPM flow capacity

What's Included:

- Natural Gas Tankless Water Heater
- 2 1/2" 90 degree Elbow with Backflow Preventer
- Wall Thimble
- 2 1/2" x 20" Termination Pipe
- 110 volt UL listed power cord
- Hardware Pack
- Instruction Manual
- 2 Year Limited Warranty

[FVI12 Product Info and Manual](#)

[FVI12 Warranty](#)

The Eccotemp FVI12 has been tested for use at elevations up to 2000 feet. Installation and use of the Eccotemp FVI12 above 2000 feet may affect overall product efficiency and performance. Installation and use of the Eccotemp FVI12 above 5000 feet is not recommended.

IMPORTANT NOTE: Cannot be used for HYDRONIC SYSTEM, RECIRCULATING, or FLOOR HEATING nor be used with a bilge pump.

Please Note: Failure to clean and descale your water heater quarterly can result in lime and sediment build up within the heater, which can void your warranty! We recommend using our Eccotemp EZ-Flush System Descaler Kit to ensure a clean, energy efficient, long lasting heater! [Click here](#) for details.

All Whole Home Water Heater purchases will be shipped with SIGNATURE REQUIRED. If you wish to remove SIGNATURE REQUIRED from your shipment please contact Customer Service immediately to have it removed. **Please Note:** By opting out of SIGNATURE REQUIRED you release Eccotemp Systems, LLC from all liability of lost or stolen packages. Call 1-866-356-1992 or chat with us [here](#)

Map Zone	Southern Region, Northern Region, Mid Region
Color	White
Flow Rate	4.0 GPM
Installation	Indoor
Applications	Apartment/Condo/Townhome, Cabin, Tiny Home, Mid-Size Home
Power Type	Liquid Propane (LP)
Dimensions	15.25" x 24.75" x 6.00"
GTIN:	00891876002089
SKU:	FV12-LP

Related Products

ON SALE

Type your question or keyword

Product Description

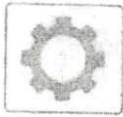
ECO-WORTHY

WATER DIAPHRAGM SELF PRIMING PUMP

AC 110V MAX FLOW: 4.5GPM/17LPM SUCTION: 9.8FT



Agricultural



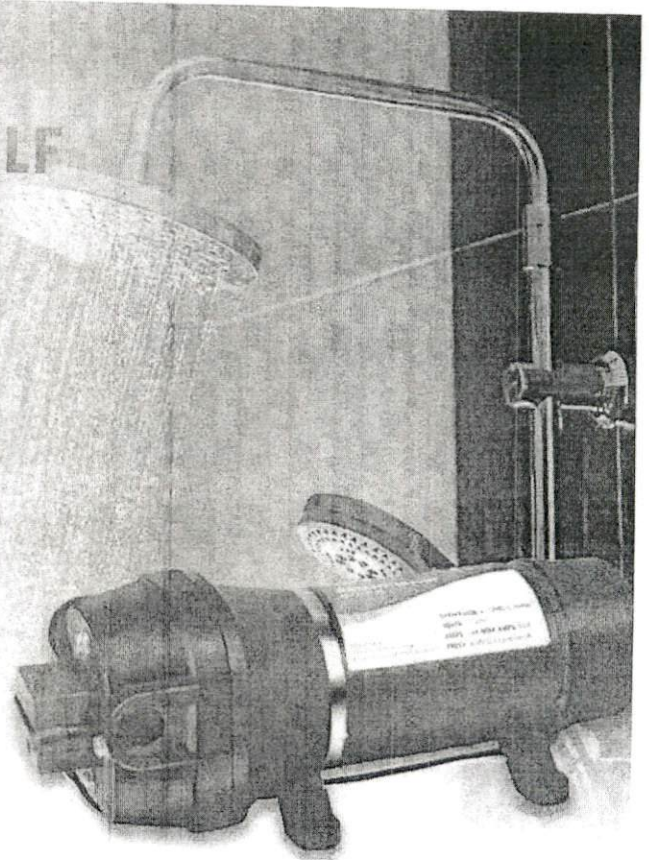
Industrial



RV



Yacht



off. When the outlet pressure exceeds 45psi, the pump will automatically disconnect itself.

tank and keep a steady pressure.

Product Specifications

Pump Types	FL-41 Diaphragm pump	Diaphragm Material	Santoprene
Max Flow	4.5GPM (17L/Min)	Valve Material	EPDM
Max Head	28m (91.5FT)	Voltage	AC 110-120V
Pipe Caliber	3/4"(20mm) Hose Barb	Max Liquid Temp	140°F (60°C)
Pressure max	45 PSI(3.1 Bar)		

Compare with similar items

This item ECO-WORTHY Water Diaphragm Self Priming Pump, 45PSI 4.5GPM 17L/min High Pressure Water Pump 110V with Filter for Caravan, RV, Boat, Marine, Agriculture Applications

Add to Cart

(240)

\$69⁹⁹

FREE Shipping. Details

xiaxuanke

SEAFLO 33-Series Industrial Water Pressure Pump w/Power Plug for Wall Outlet - 115VAC, 3.3 GPM, 45 PSI

Add to Cart

(1917)

\$99⁹⁹

FREE Shipping. Details

GK Wholesale

DC HOUSE 33-Series Industrial Water Pressure Pump, 115V 3.3 GPM 45 PSI Water Diaphragm Pump Power Plug for Bathroom Sprinkler Faucet Agricultural Irrigation

Add to Cart

(553)

\$69⁹⁹

FREE Shipping. Details

YYS GLOBAL-US

Water Pressure Diaphragm Pump Industrial 115V, Self Priming Pump 4 Gpm 45 Psi include Power Plug, Fittings Strainer Filter for Kitchen Bathroom RV Marine Yacht Caravan, Garden Hose

Add to Cart

(55)

\$69⁹⁹

FREE Shipping. Details

Dreamyo

Product information

Technical Details

Manufacturer	ECO-WORTHY
Item Weight	6.65 pounds
Package Dimensions	14.53 x 5.12 x 4.41 inches
Material	Santoprene
Power Source	Battery Powered
Flow Rate	4.5 Gallons Per Minute
Batteries Included?	No
Batteries Required?	No

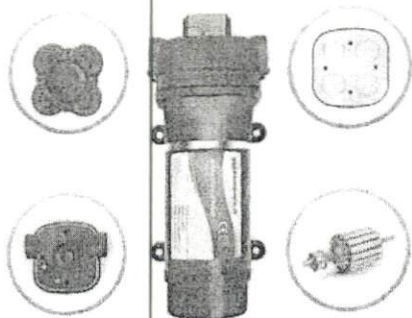
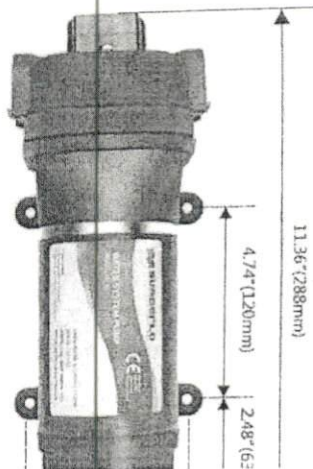
Additional Information

ASIN	B08BCFK7SD
Customer Reviews	240 ratings 4.1 out of 5 stars
Best Sellers Rank	#35,206 in Tools & Home Improvement (See Top 100 in Tools & Home Improvement) #24 in Power Water Pumps
Date First Available	June 17, 2020

Warranty & Support

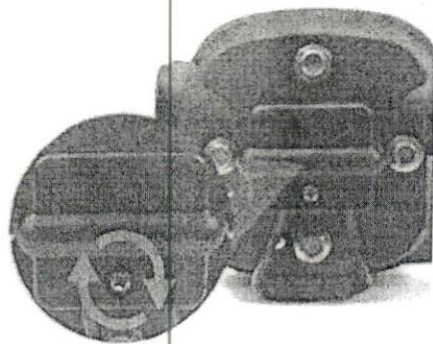
Product Warranty: For warranty information about this product, please [click here](#)

Feedback



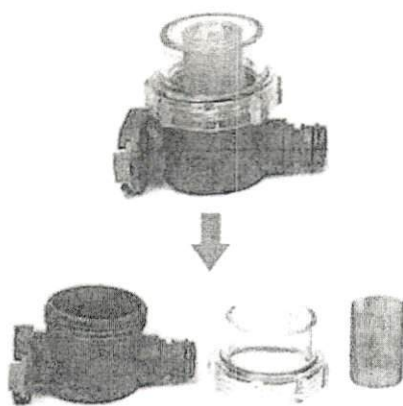
Best Material

- Shell material: NYLON/POLYETHYLNE
- Sealing material: EPDM/VITON
- Diaphragm material: SANTOPRENE
- Motor: COPPER WIRE



On-demand Pressure Switch

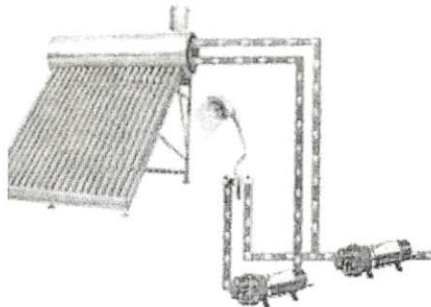
- Pressure can be adjusted: turning clockwise will increase pressure and flow will decrease; turning counterclockwise will decrease pressure and flow will increase.
- The built-in pressure switch is subject to the outlet pressure to automatically turn on or



Filter

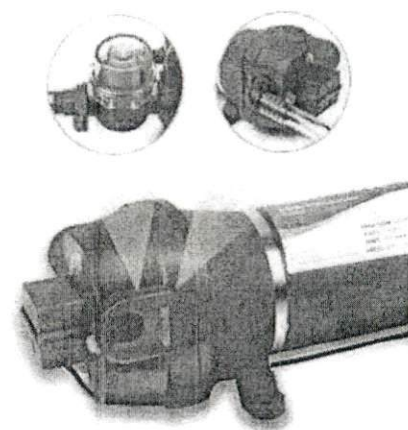
The filter can be removed for cleaning.

Tip: The diaphragm pump can only be used to pump clean water. If the liquid contains impurities, please install a filter at the inlet.



Easy to Install

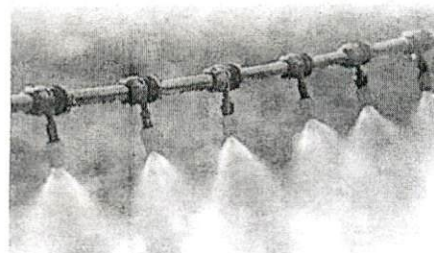
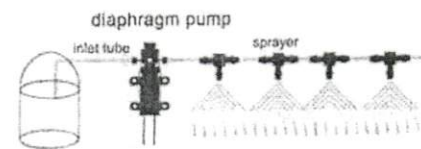
- They're easy to install and winterize, just need a wrench to connect the pump to the pipeline, saving you the cost of plumbers
- Simple operation and save power.
- Automatically adjusts to your needs, increase the pressure of household water



Various Detachable Connectors



Size: 3/4"(20mm)

This kit comes with 2 hose adapters and two 2 threaded connectors for the 3/4" sprinklers, soaker hoses or others as you wish.



Multifunctional application

It is the best partner for agricultural work. The pump can also be used for RV, Yacht, garden sprinklers, showers, spraying pesticides, fertilizers, insect sprays.

amazon live | Must-haves from Brittany Vasseur   Shop on amazon.com/live

Home & Kitchen > Kitchen & Dining > Dining & Entertaining > Dinnerware & Serveware > Teapots & Coffee Servers > Coffee Urns

Visit the SYBO Store
SYBO
Commercial
Grade Stainless
Steel Percolate
Coffee Maker Hot
Water Urn (3,5 L)

837 ratings

\$49⁹⁹

& FREE Returns

Get \$60 off instantly: Pay \$0.00 ~~\$49.99~~ upon approval for the Amazon Prime Store Card. No annual fee.

Size: **3.5 L**

3.5 L \$49.99 8 L \$99.00

16 L \$134.04

Material Stainless Steel
Brand SYBO
Color Silver
Capacity 4.5 Liters
Model Name SR-CP35C

About this item

- **COMMERCIAL USE--** Brew 30 ~35cups (4.5 Liter / 1.2 Gallon) in 30 minutes. Built for catering service, ideal for large families, caterers, restaurants, churches, schools, health care facilities, offices and shops.
- **DURABLE--**Food grade 304 S/S body resists dents and maintains lustre over time. High quality spigot dispenser is installed for heavy duty usage.



Roll over image to zoom in



\$49⁹⁹

& FREE Returns

FREE delivery **March 16 - 18**

Or fastest delivery **March 14 - 15**

Select delivery location

Qty: 1

Add to Cart

Buy Now

 Secure transaction

Ships from Amazon.com

Sold by Amazon.com

Packaging Shows what's inside an...

Return policy: Eligible for Return, Refund or Replacement

Support: Free Amazon tech support included



Enjoy fast, FREE delivery, exclusive deals and award-winning movies & TV shows with Prime
Try Prime and start saving today with **Fast, FREE Delivery**

Add to List

New (2) from \$49.99 & **FREE Shipping.**

Share

Have one to sell?

Sell on Amazon

- **SAFE TO USE**--Automatic shut-off and keep warm function.
- **NO PAPER FILTER NEEDED**—Ready for duty filter basket is durable and easy to clean, no paper filter needed.
- **ETL CERTIFIED**--All parts are ETL Intertek certified. Safety and quality certified. Use under 110-120 voltage
- **2 YEARS NEW REPLACEMENT** --Buy with confidence, as we offer 30-days refund/replacement and 2 years new replacement warranty.
- **ABOUT SYBO**--30 Years stainless steel kitchenware manufacturing and R&D experience, dedicated to offer the best line of products.

Compare with similar items

New (2) from \$49.99 & **FREE Shipping.**

87

Sponsored

Buy it with



Total price: \$202.66

[Add all three to Cart](#)

Some of these items ship sooner than the others. [Show details](#)

- This item:** SYBO Commercial Grade Stainless Steel Percolate Coffee Maker Hot Water Urn (3.5 L) \$49.99
- Hamilton Beach 45 Cup Coffee Urn and Hot Beverage Dispenser, Silver \$57.99
- Hamilton Beach Commercial Stainless Steel Coffee Urn, 60 Cup Capacity D50065 \$94.68

Products related to this item

Sponsored

Supreme Quality Ensured

- Proud American brand.
- High quality but affordable price.
- 30+ years kitchen appliance R&D and manufacture experience.
- 30+ years stainless steel production experience.
- consistency of performance is ensured by our high standards.

Your Satisfaction is Our Top Priority!

Product information

Package Dimensions	16 x 9.5 x 9.5 inches
Item Weight	5.19 pounds
Manufacturer	Sybo
ASIN	B083NJF3F7
Country of Origin	USA
Item model number	2021 UPGRADE
Customer Reviews	837 ratings 4.5 out of 5 stars
Best Sellers Rank	#7,262 in Kitchen & Dining (See Top 100 in Kitchen & Dining) #3 in Coffee Urns
Date First Available	January 9, 2020

Warranty & Support

Manufacturer's warranty can be requested from customer service. Click here to make a request to customer service.

Feedback

Would you like to tell us about a lower price?

Videos

Videos for related products

1:11
HomeCraft CU30SS Quick-Brewing 1000-Watt Automatic Coffee Urn...
Merchant Video

0:25
Professional Series 50-Cup Digital Coffee Urn Stainless
CE North America

1:09
HomeCraft CUDS45SS Quick-Brewing Stainless Steel 1000-Wa...
EMG- Dropship

Upload your video

Products related to this item

Sponsored ⓘ

4,061

Back to results

Sponsored



ROCKPOINT
POINT
Stainless Steel
Table for Prep &
with
Adjustable Shelf and
Foot for
Restaurant, Home
Hotel

2,794

ratings

Amazon's Choice for "stainl..."

\$189⁵⁹

Size: 48x24x34.7inch

24x24x34.7inch

30x24x34.7inch

30x24x38.4inch

30x30x34.7inch

36x24x34.7inch

36x24x38.4inch

48x24x34.7inch

48x24x38.4inch

48x30x34.7inch

48x30x38.4inch

60x24x34.7inch

\$189⁵⁹

FREE delivery Friday, February 4

Or fastest delivery Wednesday, February 2. Order within 13 hrs 12 mins

Select delivery location

In Stock.

Qty: 1

Add to Cart

Buy Now

Secure transaction

Ships from Amazon.com

Sold by Amazon.com

Packaging Shows what's inside a...

Details

Return policy: Eligible for Return, Refund or Replacement

prime

Enjoy fast, FREE delivery, exclusive deals and award-winning movies & TV shows with Prime

Try Prime and start saving today with Fast, FREE Delivery

Add a Protection Plan:

5-Year Indoor Furniture Accident Protection Plan for \$29.99

3-Year Indoor Furniture Accident Protection Plan for \$20.99

Add a gift receipt for easy returns

Add to List

Roll over image to zoom in



60x24x38.4inch

72x24x34.7inch

72x24x38.4inch

Style:

Stainless Steel Table with Backsplash

Assembly options: **Get expert assembly** Details

Without expert assembly

Expert assembly
+\$147.00 per unit

What's included

Product 24"D x 48"W x

Dimensions 34.7"H

Room Type Kitchen

Color Silver

Style Stainless Steel
Table with
Backsplash

Frame Metal

Material

About this item

- Tall heavy-duty table for food prep and storage; ideal for a kitchen, bar, restaurant, school, or other commercial space
- Made of 18-gauge #430 stainless steel for high-volume lifetime use; NSF certified (material and design meet strict food-safety standards)
- Backsplash measures 1.3 inches high; rounded front and back edges for comfort when working
- Adjustable bottom shelf for customized storage space; galvanized legs with adjustable-height non-marring feet for stability and floor protection
- Measures 48 by 24 by 34.8 inches (LxWxH), 36 inches high with backsplash; assembles quickly and easily (instructions and hardware included)

Compare with similar items

Share

Have one to sell?

Sell on Amazon



Sponsored

Have a question?

Find answers in product info, Q&As, reviews

Type your question or keyword

What's in the box

- Stainless steel table, metal shelf with leg

Product Description

This ROCKPOINT NSF Stainless Steel Commercial Kitchen Prep & Work Table with Backsplash - 48 in. x 24 in. measures 48" length x 24" width x 33.5" height.

Product information

Product Dimensions	24 x 48 x 34.7 inches
Item Weight	48.5 pounds
Manufacturer	HONGXING
ASIN	B07L8F4XLN
Country of Origin	China
Item model number	HX2019-07
Customer Reviews	2,794 ratings 4.6 out of 5 stars
Best Sellers Rank	#1,776 in Industrial & Scientific (See Top 100 in Industrial & Scientific) #2 in Commercial Worktables & Workstations
Assembly Required	Yes
Number of Pieces	1
Batteries Required?	No
Included Components	Stainless steel table, metal shelf with leg

Warranty & Support

Manufacturer's warranty can be requested from customer service. Click [here](#) to make a request to customer service.

Feedback

Would you like to tell us about a lower price?

Videos