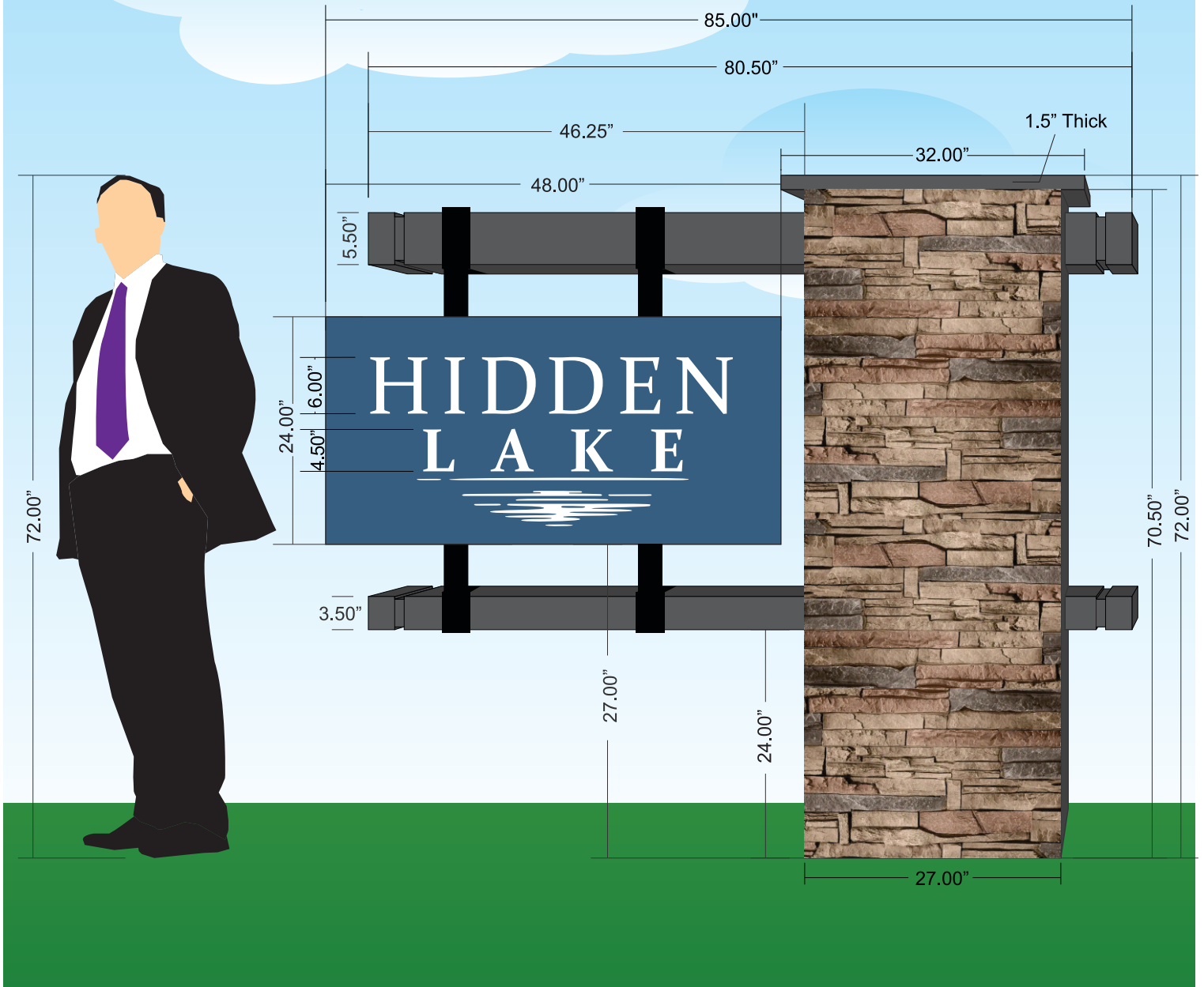


- SW 6530 REVEL BLUE
- COMMAND GRAY

Qty: 1 (Double Sided)
24"x 48"

1.5" Thick, Dimensional and Hand Painted HDU Sign Faces
Panels Will Be Attached to Fabricated Hanging Bracket
Post Structure Will Be Made From (1) Stacked Stone Column
w/ a 6" x 6", 70" Post That Extrudes 46.25" Out of Structure
and a 4" x 4", 70" Post That Extrudes 46.25" Out of Structure



FONT: CONSTANTIA REGULAR AND BOLD



BLASHFIELD
SIGN COMPANY, INC

303 Williams St.
Fayetteville, NC 28301
ph 910.485.7200
www.bcsignage.com

Customer Advise:

- Pick Up
- Installation Required
- Shipping Required

If the proof is approved, it **MUST** be signed, scanned and emailed back to us before we can begin production. This is policy with any job. If this can not be done, please call our office to discuss an alternate method to get us the signed color proof. **WE WILL NOT BEGIN ANY JOB WITHOUT PROPER APPROVAL**

3/4" Scale Approved for Production with Changes, as noted Approved for Production, No Changes Rejected, Correct and Resubmit for Approval

Approval Signature: _____ Date Started: 1-10-23 Date Last Revised: 4-12-23 Approval Date: _____

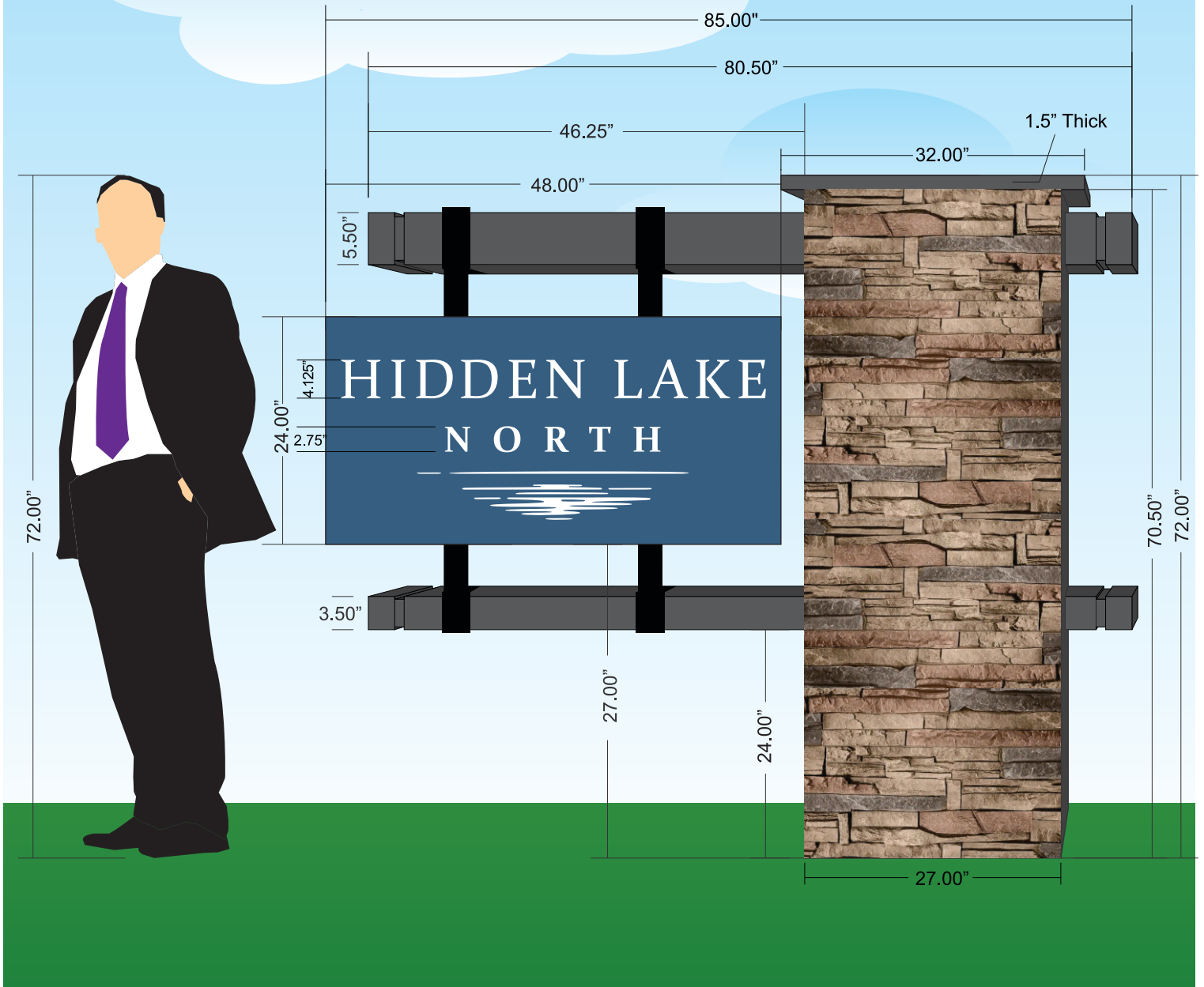
File Name: W.S. Wellons Realty - Billy McMillan - (2) Entrance Signs Hidden Lakes - 1 - 23 Job Number: 23013 Designer: *klh*

This design is the property of Blashfield Sign Company, Inc. and remains our property until sign is purchased. Design may be purchased for a minimum sum of Two Hundred Fifty dollars (\$250.00) and a maximum of Ten Thousand dollars (\$10,000.00) depending on hours involved and is protected by U.S. copyright law. Any attempt to reproduce this design or use by others for any purpose, without written consent is subject to prosecution to the fullest extent allowed by law.

- SW 6530 REVEL BLUE
- COMMAND GRAY

Qty: 1 (Double Sided)
24"x 48"

1.5" Thick, Dimensional and Hand Painted HDU Sign Faces
Panels Will Be Attached to Fabricated Hanging Bracket
Post Structure Will Be Made From (1) Stacked Stone Column
w/ a 6" x 6", 70" Post That Extrudes 46.25" Out of Structure
and a 4" x 4", 70" Post That Extrudes 46.25" Out of Structure



FONT: CONSTANTIA REGULAR AND BOLD



BLASHFIELD
SIGN COMPANY, INC

303 Williams St.
Fayetteville, NC 28301
ph 910.485.7200
www.bcsignage.com

Customer Advise:

Pick Up

Installation Required

Shipping Required

If the proof is approved, it **MUST** be signed, scanned and emailed back to us before we can begin production. This is policy with any job. If this can not be done, please call our office to discuss an alternate method to get us the signed color proof. **WE WILL NOT BEGIN ANY JOB WITHOUT PROPER APPROVAL**

3/4" Scale Approved for Production with Changes, as noted Approved for Production, No Changes Rejected, Correct and Resubmit for Approval

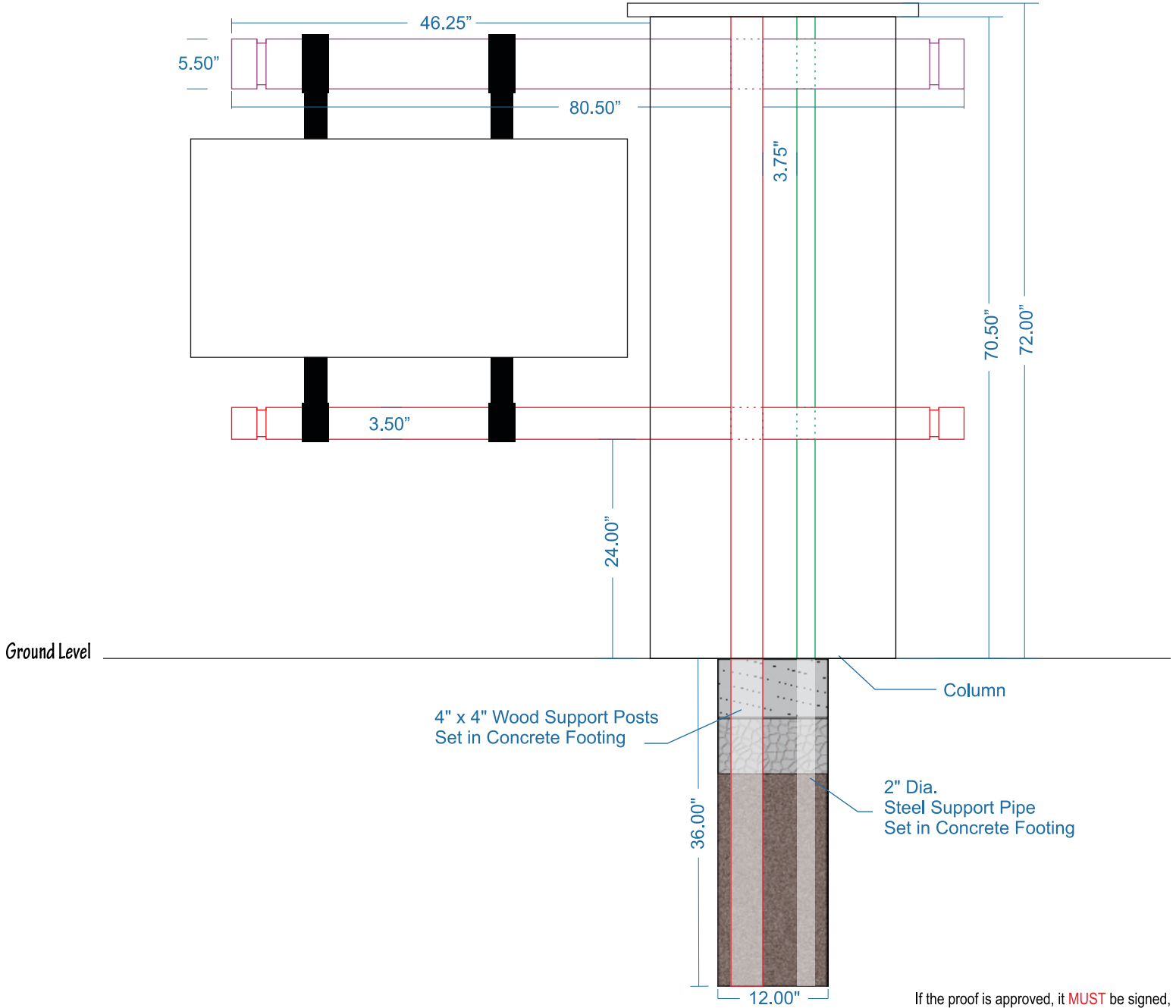
Approval Signature: _____ Date Started: 1-10-23 Date Last Revised: 4-12-23 Approval Date: _____

File Name: W.S. Wellons Realty - Billy McMillan - (2) Entrance Signs Hidden Lakes - 1 - 23 Job Number: 23013 Designer: *klh*

This design is the property of Blashfield Sign Company, Inc. and remains our property until sign is purchased. Design may be purchased for a minimum sum of Two Hundred Fifty dollars (\$250.00) and a maximum of Ten Thousand dollars (\$10,000.00) depending on hours involved and is protected by U.S. copyright law. Any attempt to reproduce this design or use by others for any purpose, without written consent is subject to prosecution to the fullest extent allowed by law.

- 6" x 6" Wood Post
- 4" x 4" Wood Post
- 2" Dia. Steel Beam

TECHNICAL DRAWING INTERNAL VIEW



**BLASHFIELD
SIGN COMPANY, INC**

303 Williams St.
Fayetteville, NC 28301
ph 910.485.7200
www.bcsignage.com

Customer Advise:

- Pick Up
- Installation Required
- Shipping Required

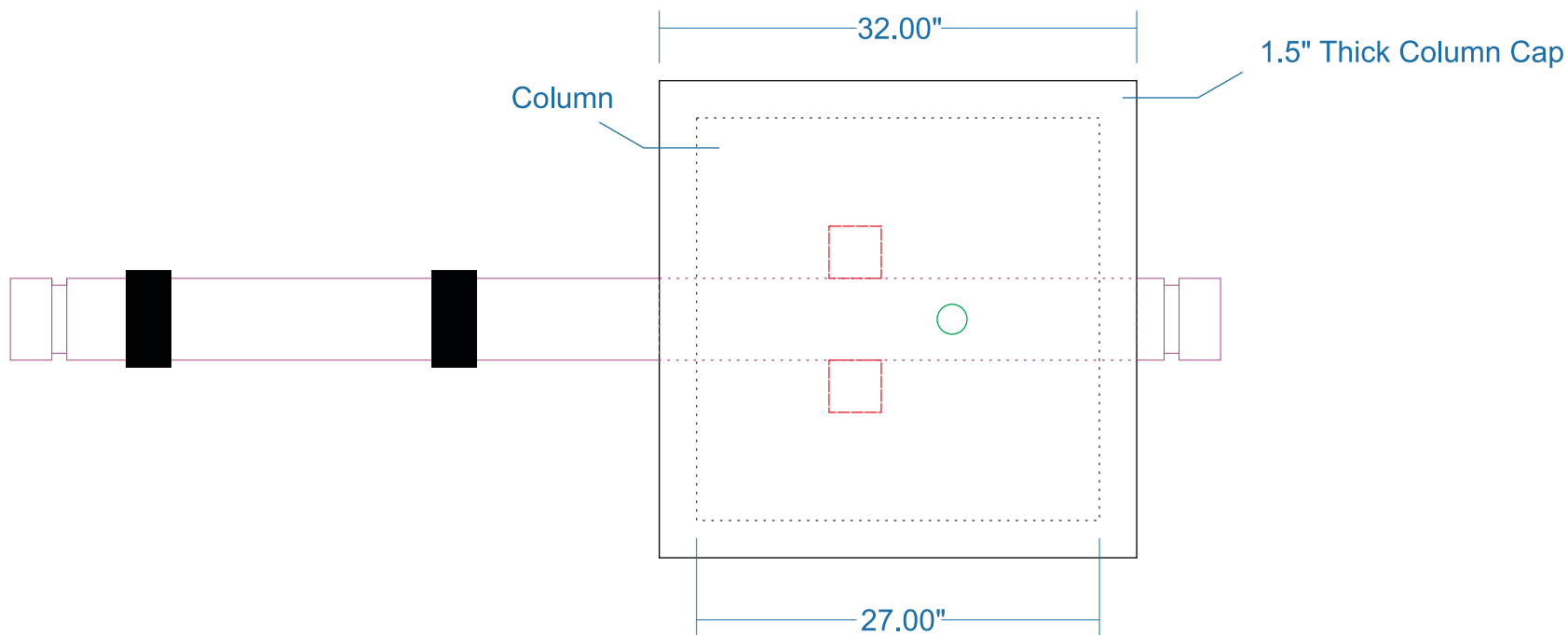
If the proof is approved, it **MUST** be signed, scanned and emailed back to us before we can begin production. This is policy with any job. If this can not be done, please call our office to discuss an alternate method to get us the signed color proof. **WE WILL NOT BEGIN ANY JOB WITHOUT PROPER APPROVAL**

3/4" Scale	<input type="checkbox"/> Approved for Production with Changes, as noted	<input type="checkbox"/> Approved for Production, No Changes	<input type="checkbox"/> Rejected, Correct and Resubmit for Approval
Approval Signature:		Date Started: 1-10-23	Date Last Revised: 4-12-23
Approval Date:		Approval Date:	
File Name: W.S. Wellons Realty - Billy McMillan - (2) Entrance Signs Hidden Lakes - 1 - 23			Job Number: 23013
Designer:			<i>flh</i>

This design is the property of Blashfield Sign Company, Inc. and remains our property until sign is purchased. Design may be purchased for a minimum sum of Two Hundred Fifty dollars (\$250.00) and a maximum of Ten Thousand dollars (\$10,000.00) depending on hours involved and is protected by U.S. copyright law. Any attempt to reproduce this design or use by others for any purpose, without written consent is subject to prosecution to the fullest extent allowed by law.

- 6" x 6" Wood Post
- 4" x 4" Wood Post
- 2" Dia. Steel Beam

TECHNICAL DRAWING TOP VIEW



**BLASHFIELD
SIGN COMPANY, INC**

303 Williams St., Fayetteville, NC 28301
ph 910.485.7200
www.bcsignage.com

Customer Advise:

- Pick Up
- Installation Required
- Shipping Required

If the proof is approved, it **MUST** be signed, scanned and emailed back to us before we can begin production. This is policy with any job. If this cannot be done, please call our office to discuss an alternate method to get us the signed proof.
WE WILL NOT BEGIN ANY JOB WITHOUT PROPER APPROVAL.

1" Scale	<input type="checkbox"/> Approved for Production with Changes, as noted	<input type="checkbox"/> Approved for Production, No Changes	<input type="checkbox"/> Rejected, Correct and Resubmit for Approval
Approval Signature:	Start Date: 1-10-23	Date Last Revised: 4-12-23	Approval Date:
File Name: W.S. Wellons Realty - Billy McMillan - (2) Entrance Signs Hidden Lakes - 1 - 23	Job Number: 23013	Designer: <i>Alh</i>	

This design is the property of Blashfield Sign Company, Inc. and remains our property until sign is purchased. Design may be purchased for a minimum sum of Two Hundred Fifty dollars (\$250.00) and a maximum of Ten Thousand dollars (\$10,000.00) depending on hours involved and is protected by U.S. copyright law. Any attempt to reproduce this design or use by others for any purpose, without written consent is subject to prosecution to the fullest extent allowed by law.