



FOR APPROVAL ONLY

Structure: VAULT
 Job Number:
 Job Name: Asphalt Plant
 Job Location: Harnett Cty, NC

Based On:
 Take Off By: 12/14/2021 koquinn

Specification: 72x72
 Contractor: Highland Paving

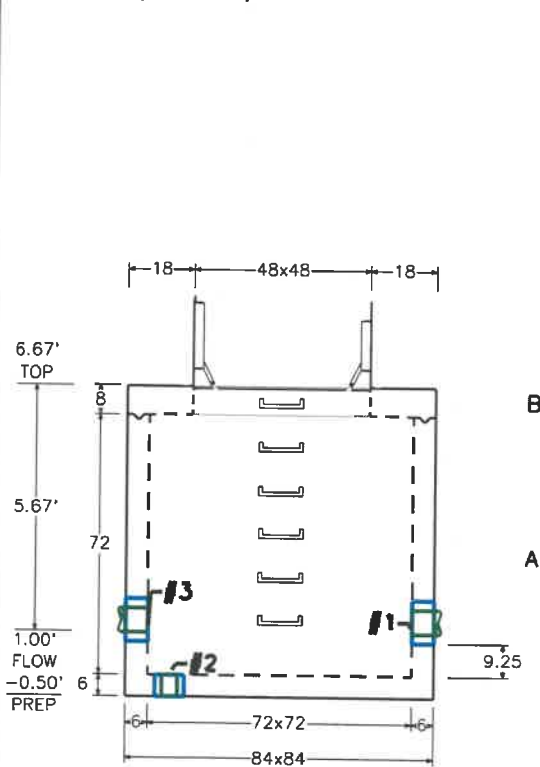
Design Build Height Top of Casting + 6.67' Floor Elevation - 0.00' Design Height = 6.67'		Stack Build Height Eccentric Slab + 0.67' Base Gain + 6.00' Design Height = 6.67' Floor Thickness + 0.50' Outside Height = 7.17'		Pour Date:	
				QC Date:	
				Hatch:	CAST-IN HALLIDAY H2R4848 HATCH SUPPLIED BY CP&P By Others
				Invert:	No Channel

Notes: **CAST-IN HALLIDAY H2R4848 HATCH SUPPLIED BY CP&P DD1919 - CONTRACTOR TO VERIFY HATCH LOCATION? NCDOT SCANNED**

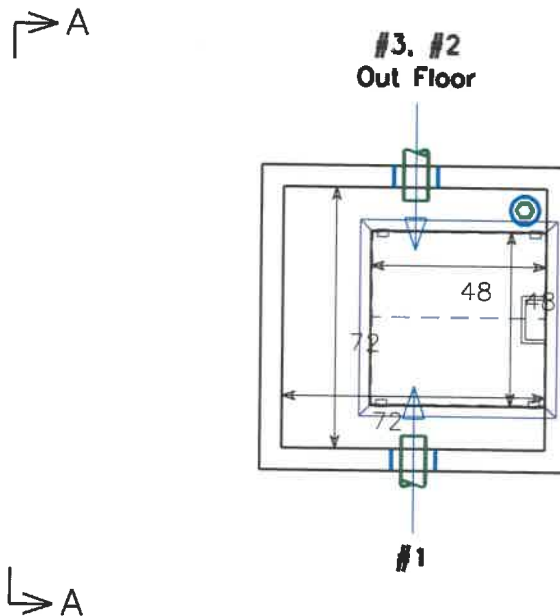
Opening Schedule

ID	Invert	Grade	To / From	Pipe Size	Connector	Hole Size	Bottom	Angle
#1	1.00'			6" Ductile Iron	Mortar	12" Ø	9.25"	90°
#2	0.00'		4" PVC DRAIN	4" PVC Schd 40	Mortar	8" Ø in Floor	-6"	270°
#3	1.00'			6" Ductile Iron	Mortar	12" Ø	9.25"	270°

Elevation (View A-A)



Plan View



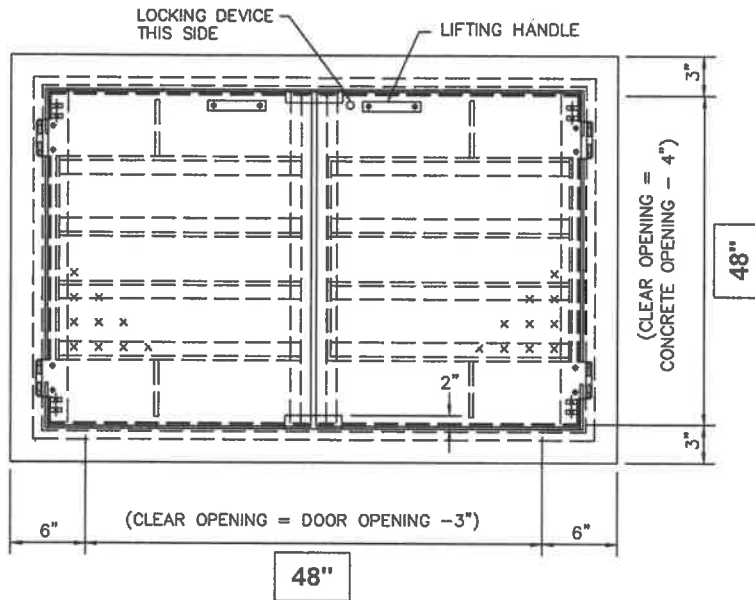
BOM For Structure

ID	Description	Qty.	Weight
B	72x72x6w X 48x48 X 0-8HI Keyed Lid	1	3,473
A	72x72x6w 6-0HI Base 6F	1	15,676
Totals (pieces, lbs)		2	19,149

HALLIDAY PRODUCTS, INC.
 ORLANDO, FL
 http://www.hallidayproducts.com



MODEL NO. H2R048048C-BXF-----
 QUANTITY: 1
 DOCUMENT NO. Q31559
 DATE: 12/13/21
 LOCATION/TAG: ASPHALT PLANT



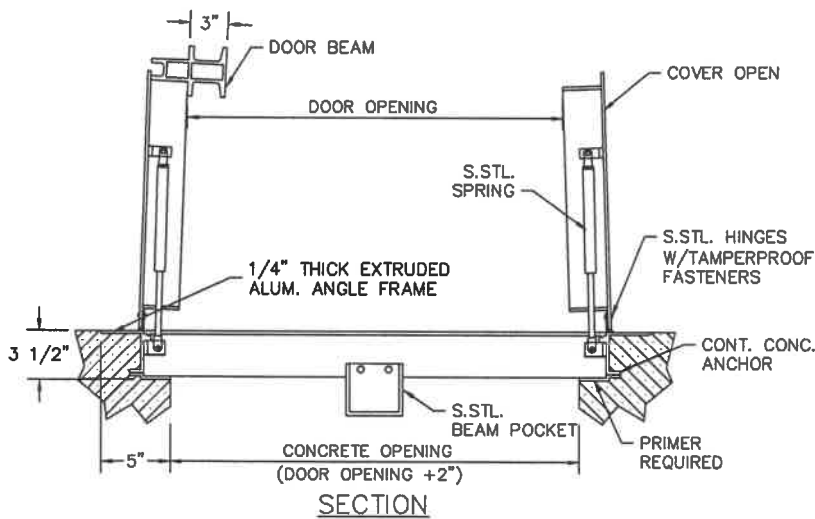
STANDARD FEATURES:

- 1/4 ALUMINUM TREAD PLATE COVER
- 1/4 THICK ALUM. ANGLE FRAME EXTRUSION
- T-316 STAINLESS STEEL HARDWARE
- S.STL. & ALUM. HOLD OPEN ARM
- S.STL. SLAM LOCK W/ KEY
- SPRING ASSIST
- RECESSED LIFT HANDLE (S)
- LIFETIME GUARANTEE
- H-20 LOAD RATING

ASTRAGAL: HPO-14 BEAM WELDED TO R.H. COVER

OPTIONS/FEATURES:

- PADLOCK BAR
- RECESSED LOCK BOX
- KEYED CYLINDER LOCK
- EPDM GASKET/CUSHION
- BITUMINOUS COATING
- PVC PROTECTIVE FILM
- 6" SLAB SKIRT HEIGHT (INCLUDING FRAME)
- CLEAR ANODIZED FINISH
- SAFETY CABLE
- 3" INSULATION W/ CAPTIVE PAN
- NUTRIL - SPECIFY LENGTH & LOCATION
- 1/2 X 2 CENTER BAR
- BOLT DOWN COVER
- RETRO GRATE
- MISCELLANEOUS



NOTES:

- 1) SUITABLE FOR USE IN OFF STREET LOCATION WHERE NOT SUBJECTED TO TRAFFIC.
- 2) PROVIDE A FULL BED OF CLASS "A" CONCRETE UNDER FRAME AND SUPPORT ANGLES.

NOTE: STANDARD PRODUCT WARRANTY DOES NOT COVER CORROSION FROM CHLORINE CONTACT.

HALLIDAY PRODUCTS, INC.
ORLANDO, FL
<http://www.hallidayproducts.com>

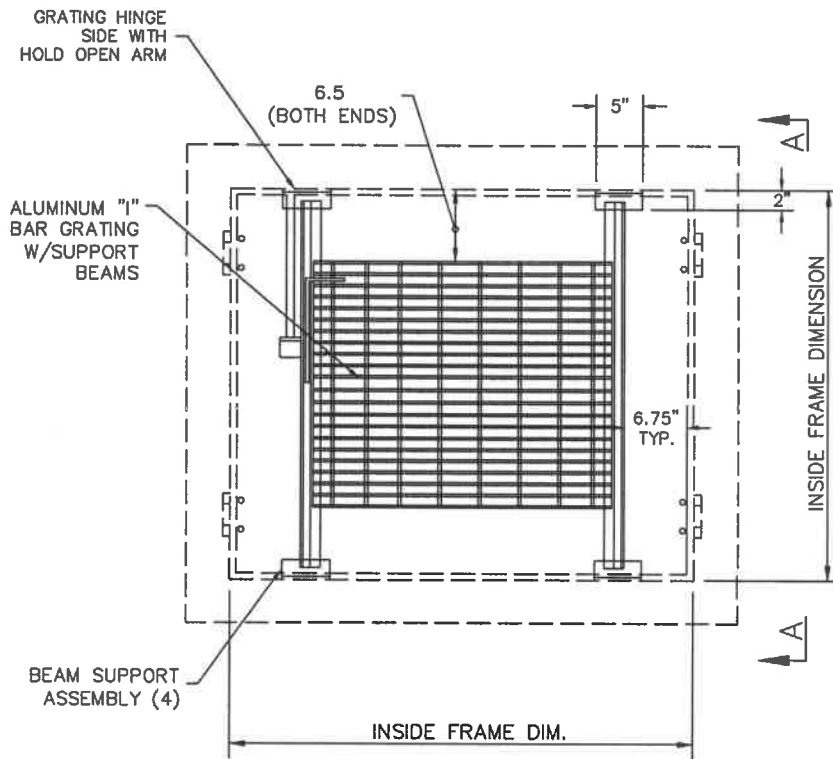


MODEL NO: X1SA49E48EHABB
ATTACHED TO H2R048048
QUANTITY: 1
DOCUMENT NO: Q31559
DATE: 12/13/21

STANDARD FEATURES:

- HINGED ALUMINUM "I" BAR GRATING PANEL
- T-316 STAINLESS STEEL HARDWARE AND HOLD-OPEN ARM
- SPRING LOADED LIFT HANDLE
- 300 PSF LOAD RATING
- PAD LOCK TAB
- GRATING PANEL (POWDER COATED, SAFETY ORANGE COLOR)

NOTE: COVERS NOT SHOWN FOR CLARITY



PLAN VIEW

