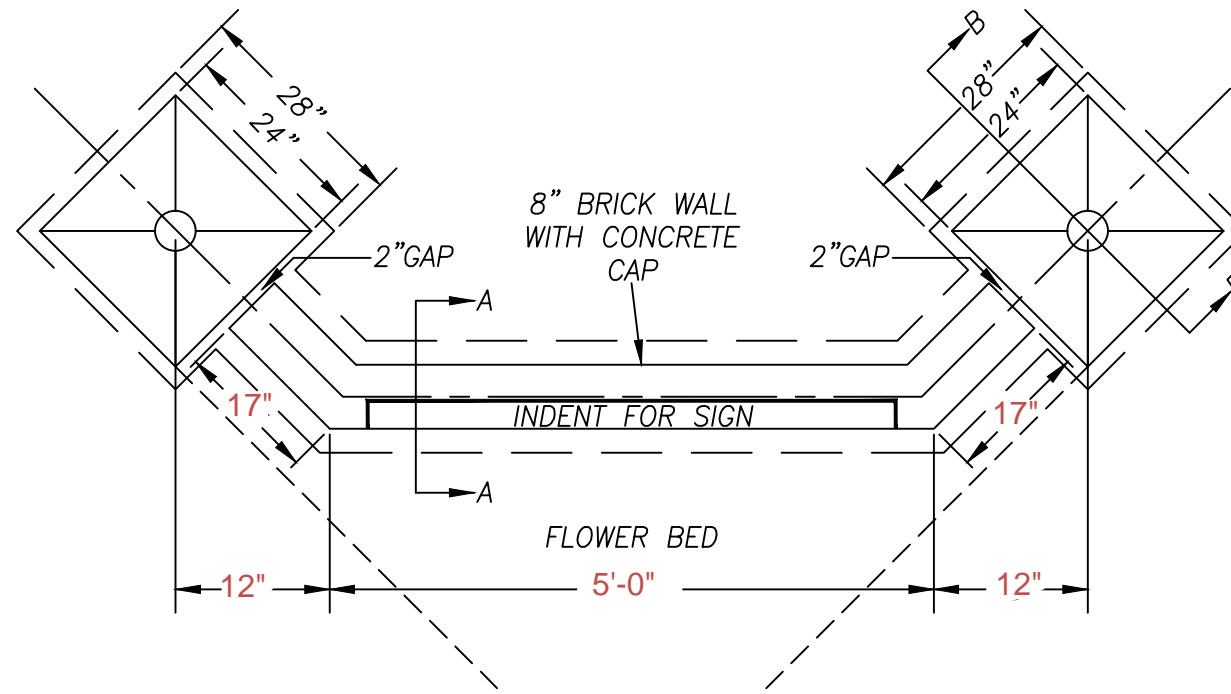


WALL SECTION A-A



FOUNDATION PLAN



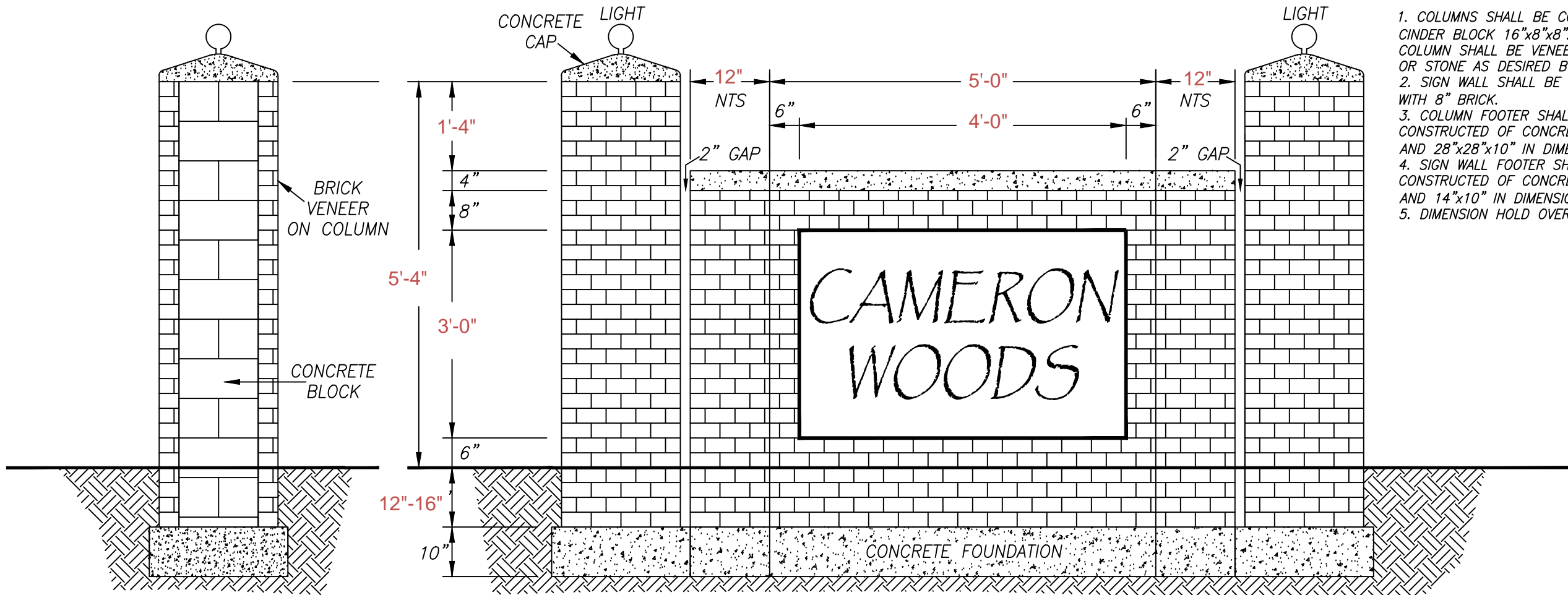
2/18/2021

TRACT IDENTIFICATION SIGN

1. TOTAL AREA OF SIGN STRUCTURE IS 46 SF.
2. AREA OF COPY IS 10 SF.
3. HEIGHT OF COPY AREA IS 11".

NOTES:

1. COLUMNS SHALL BE CONSTRUCTED OF CINDER BLOCK 16"x8"x8". FACE OF COLUMN SHALL BE VENEERED WITH BRICK OR STONE AS DESIRED BY OWNER.
2. SIGN WALL SHALL BE CONSTRUCTED WITH 8" BRICK.
3. COLUMN FOOTER SHALL BE CONSTRUCTED OF CONCRETE 3000 PSI MIN. AND 28"x28"x10" IN DIMENSION.
4. SIGN WALL FOOTER SHALL BE CONSTRUCTED OF CONCRETE 3000 PSI MIN. AND 14"x10" IN DIMENSION.
5. DIMENSION HOLD OVER SCALE.



FRONT ELEVATION

ENTRANCE SIGN  
DETAIL SHEET

CAMERON WOODS SUBDIVISION  
HARNETT COUNTY, NORTH CAROLINA

SAMIR W. BAHHO, PE  
CIVIL AND STRUCTURAL ENGINEERING SERVICES, PLLC.

4612 KAPLAN DRIVE  
RALEIGH, NORTH CAROLINA 27606  
TELE: (919) 851-1642 CELL (919) 621-0628  
FAX: (919) 854-1960

DATE: 01.14.12  
SCALE: 1/2"=1'  
CHECKED: SWB  
DRAWN: REB  
SHEET # 1 of 1