



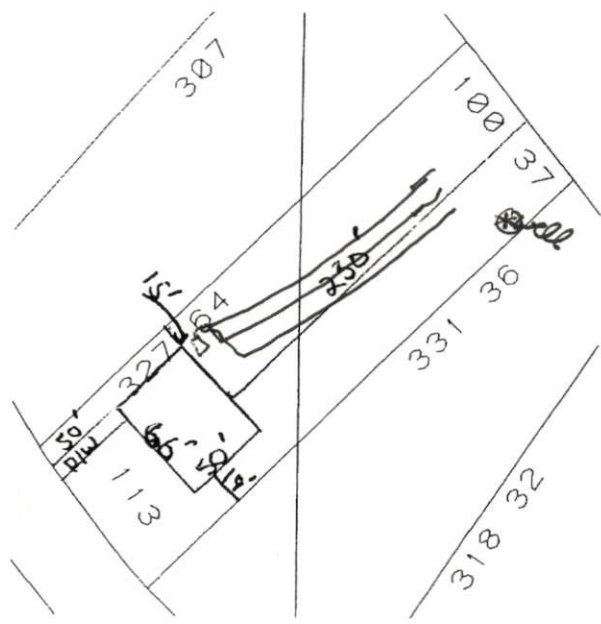
SITE PLAN APPROVAL

DISTRICT RA30 USE SFD

#BEDROOMS 3

5-1303

*[Signature]*  
Zoning Administrator



0663-06-0620

Scale: 1" = 100 ft

May 13, 2003