

WARNING:
JOISTS ARE UNSTABLE UNTIL
BRACED LATERALLY

BRACING INCLUDES: Blocking, Hangers, Rim Board, Sheathing, Rim Joist, Strut Lines

Lack of proper bracing during construction can result in serious accidents. Observe the following guidelines:

1. Properly install all blocking, hangers, rim boards, and rim joists at EEI™ joist end supports.
2. Establish a permanent deck (sheathing), fastened to the first 4 feet of joists at the end of the bay or braced end wall.
3. Safety bracing of 3x4 (minimum) must be nailed to a braced end wall or sheathed area and to each joist.
4. Sheathing must be completely attached to each EEI™ joist before additional loads can be placed on the system.
5. Ends of cantilevers require safety bracing on both the top and bottom flanges.
6. The flanges must remain straight within 1/2" from true alignment.

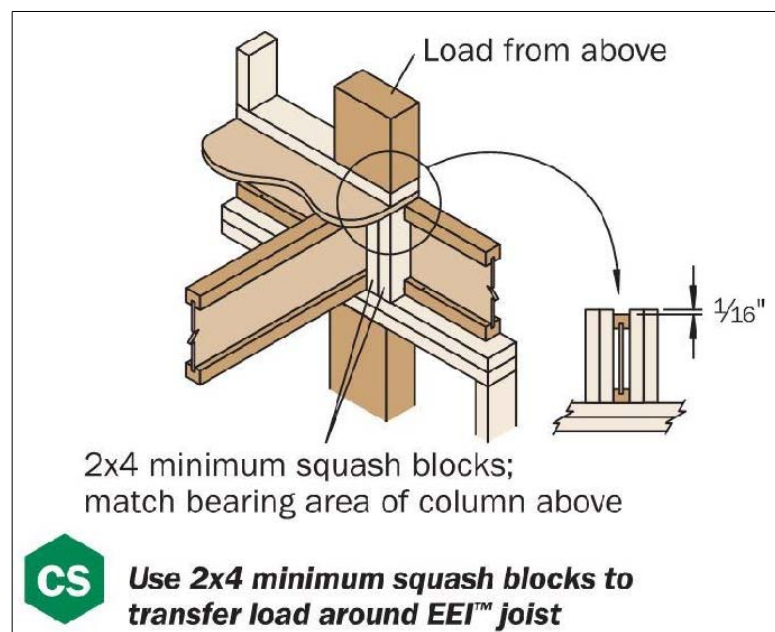
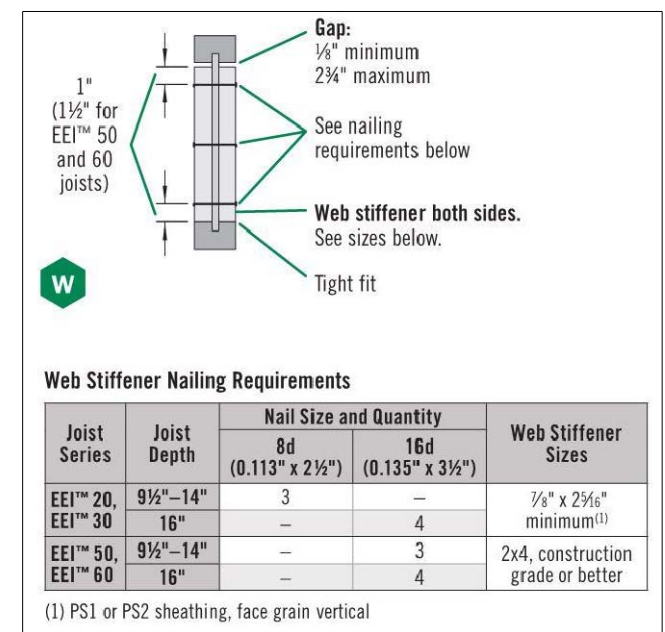
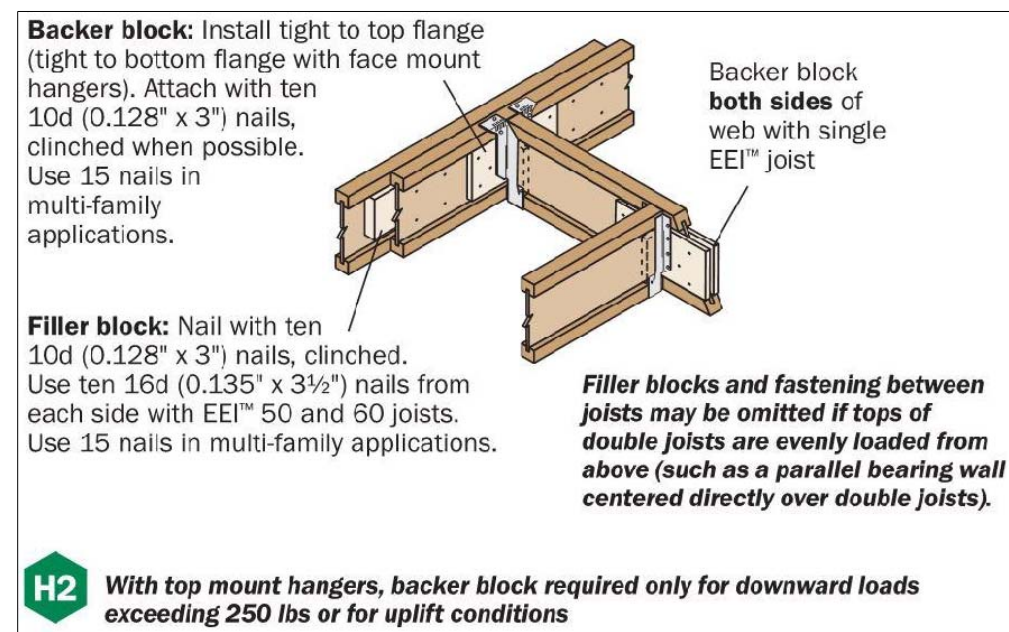
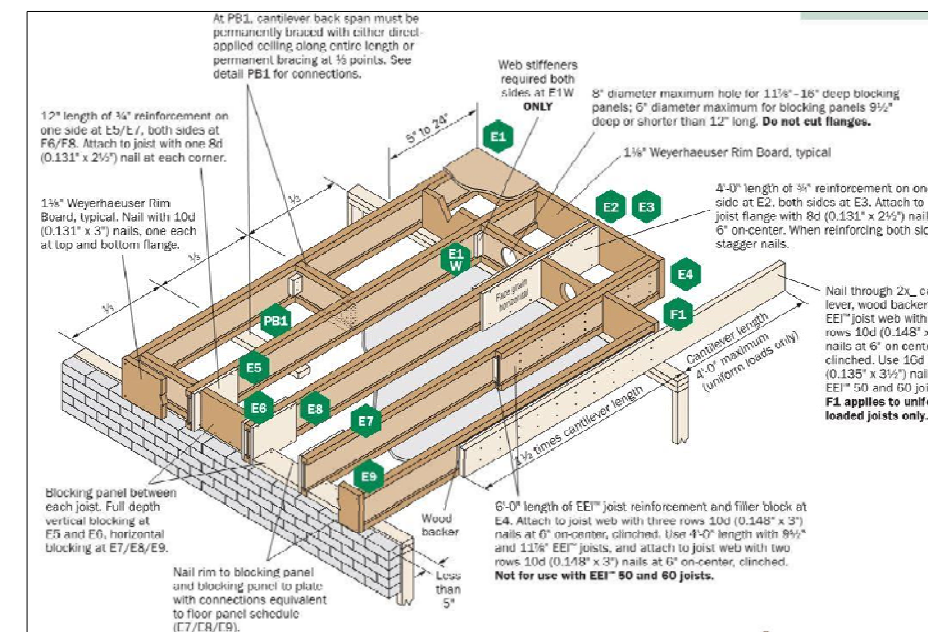
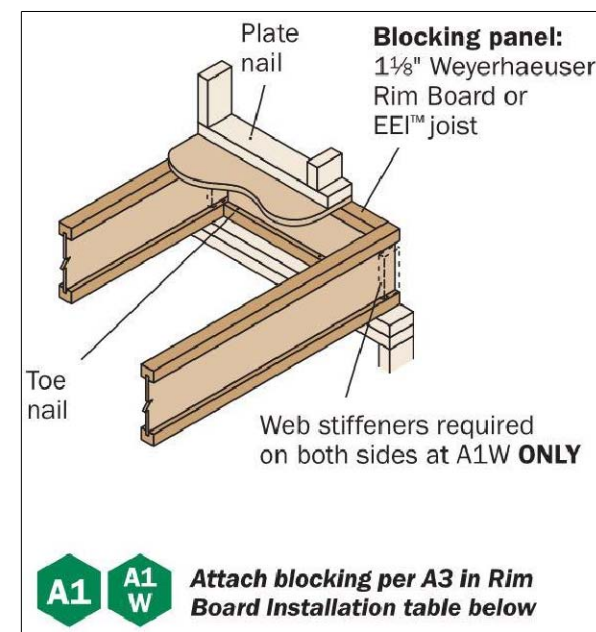
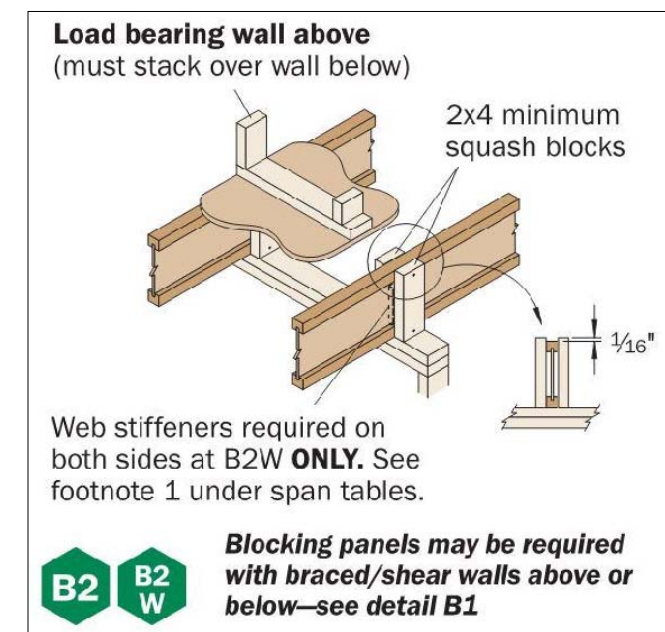
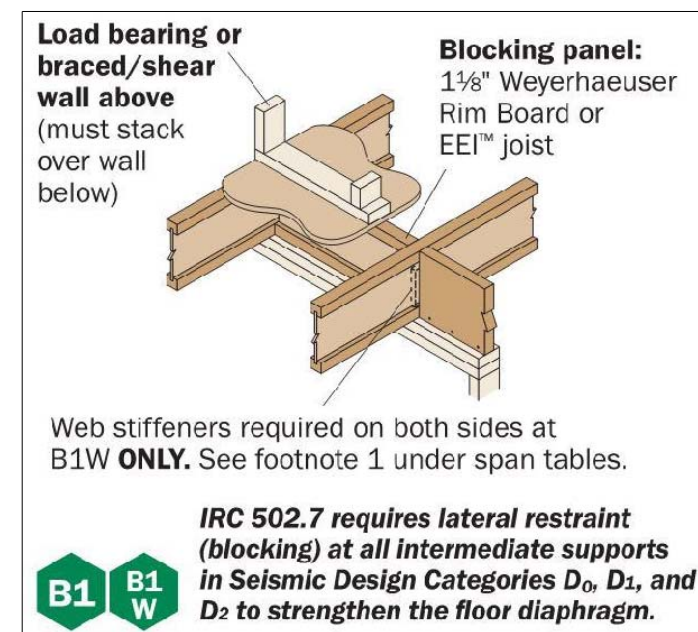
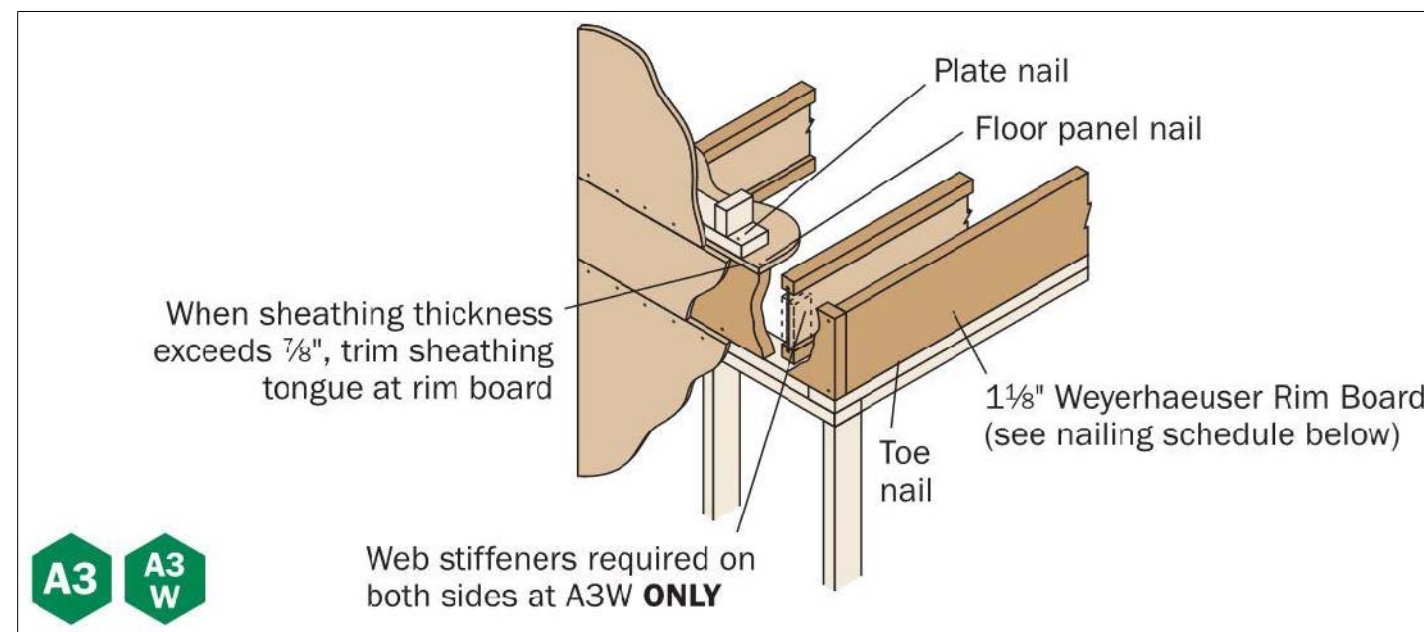
Uniform Load—Maximum Uniform Load Applied to Either Outside Member (PLF)

Fastener Type	Location	Number of Rows	Fastener Spacing	Fastener Pattern		
				Assembly A	Assembly B	Assembly C
1/2" A307 Through Bolts	As shown	2*	24"	375	280	340
		3	18"	555	415	492
		2	24"	525	380	460
SDW22™	One side only	2	18"	850	620	750
		2	24"	850	620	750
		2	18"	1,200	875	1,050



First, check allowable load tables on pages 20-25 to verify that these joists can carry the total load of 715 plf with proper live load deflection criteria. Maximum load applied to either outside member is 425 plf. For an assembly of three 1 1/2" plies (Assembly B), two rows of 1/2" (0.128" x 3") nails at 12" o.c. center is good for only 280 plf. Therefore, use three rows of 1/2" (0.128" x 3") nails at 12" o.c. center for 415 plf.

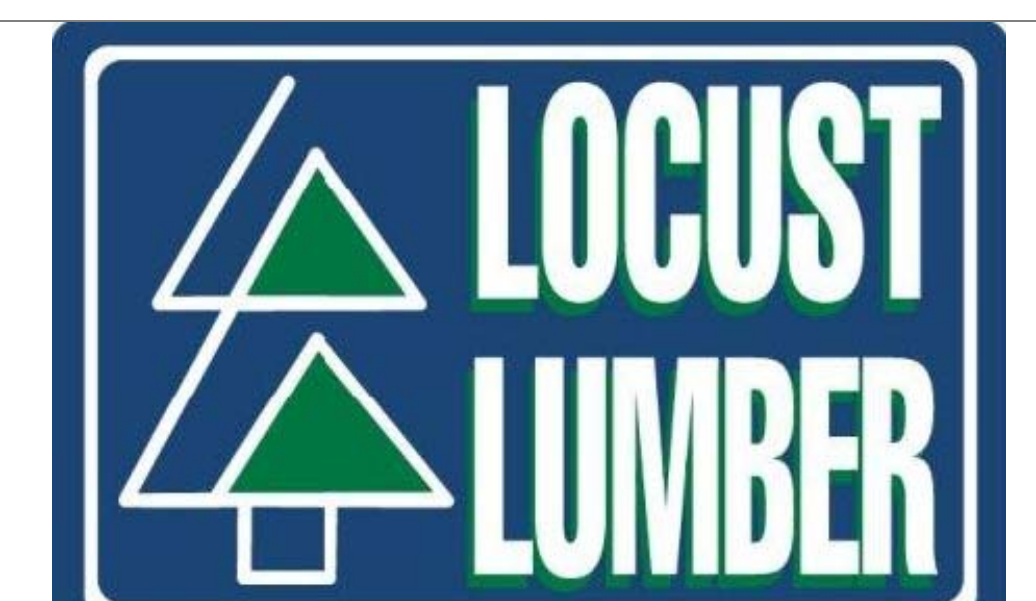
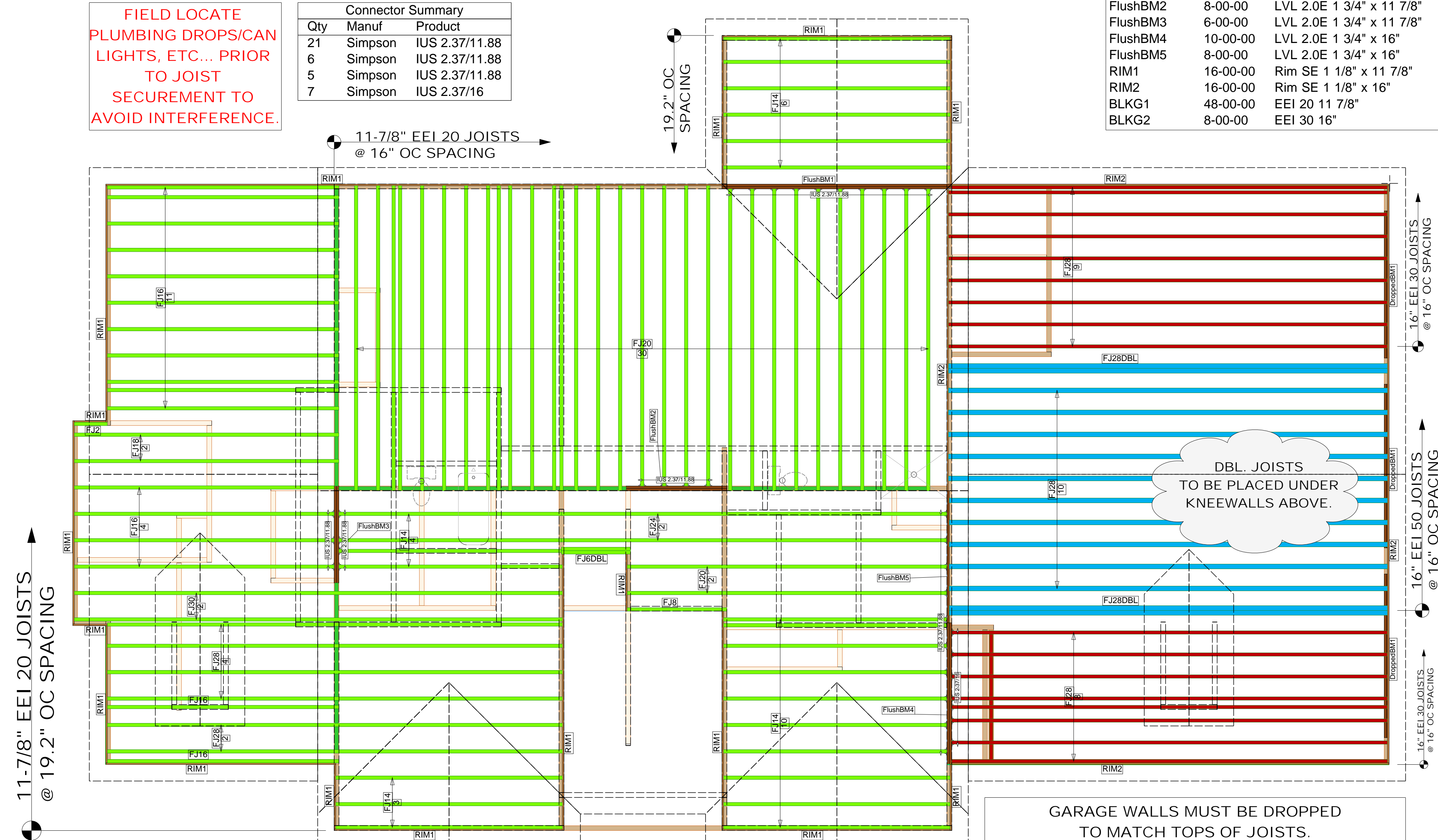
Alternate: Two rows of 1/2" A307 bolts.



FIELD LOCATE PLUMBING DROPS/CAN LIGHTS, ETC... PRIOR TO JOIST SECUREMENT TO AVOID INTERFERENCE.

Qty	Manuf	Product
21	Simpson	IUS 2.37/11.88
6	Simpson	IUS 2.37/11.88
5	Simpson	IUS 2.37/11.88
7	Simpson	IUS 2.37/16

PlotID	Length	Product	Plies	Net Qty
FJ30	30-00-00	EEI 20 11 7/8"	1	2
FJ28	28-00-00	EEI 20 11 7/8"	1	6
FJ24	24-00-00	EEI 20 11 7/8"	1	2
FJ20	20-00-00	EEI 20 11 7/8"	1	32
FJ18	18-00-00	EEI 20 11 7/8"	1	2
FJ16	16-00-00	EEI 20 11 7/8"	1	17
FJ14	14-00-00	EEI 20 11 7/8"	1	23
FJ8	8-00-00	EEI 20 11 7/8"	1	1
FJ6DBL	6-00-00	EEI 20 11 7/8"	2	2
FJ2	2-00-00	EEI 20 11 7/8"	1	1
FJ28	28-00-00	EEI 30 16"	1	17
FJ28	28-00-00	EEI 50 16"	1	10
FJ28DBL	28-00-00	EEI 50 16"	2	4
DroppedBM1	10-00-00	LVL 2.0E 1 3/4" x 9 1/4"	2	6
FlushBM1	14-00-00	LVL 2.0E 1 3/4" x 11 7/8"	2	2
FlushBM2	8-00-00	LVL 2.0E 1 3/4" x 11 7/8"	2	2
FlushBM3	6-00-00	LVL 2.0E 1 3/4" x 11 7/8"	2	2
FlushBM4	10-00-00	LVL 2.0E 1 3/4" x 16"	2	2
FlushBM5	8-00-00	LVL 2.0E 1 3/4" x 16"	1	1
RIM1	16-00-00	Rim SE 1 1/8" x 11 7/8"	1	12
RIM2	16-00-00	Rim SE 1 1/8" x 16"	1	7
BLKG1	48-00-00	EEI 20 11 7/8"	1	1
BLKG2	8-00-00	EEI 30 16"	1	1



Customer Name:
BRAD CUMMINGS

Job Name:
PERSONAL RESIDENCE

Designer:
Tony Huneycutt

Salesman:
EDDIE BAUER

Scale: 1/4" = 1' Date: 08/13/18 2nd Floor